

Please read and save these instructions. Read carefully before attempting to assemble, install, operate or maintain the product described. Protect yourself and others by observing all safety information. Failure to comply with instructions could result in personal injury and/or property damage! Retain instructions for future reference.



3/8 inch Ratchet

Table of Contents

Description 1
 Unpacking 1
 Safety Guidelines 1
 Important Safety Information 1
 Tool Components and Specifications 2
 Operating Instructions 4
 Lubrication 4
 Recommended Hookup 4
 Operational Mode 5
 User-Maintenance Instructions 5
 Troubleshooting Chart 6
 Warranty 8

Description

Ratchets are air tools designed for removing and installing spark plugs and different engine parts such as water pumps, radiators, etc. Use in confined areas where hand tools are cumbersome.

Unpacking

After unpacking the unit, inspect carefully for any damage that may have occurred during transit. Make sure to tighten fittings, bolts, etc., before putting unit into service.

Safety Guidelines

This manual contains information that is very important to know and understand. This information is provided for SAFETY and to PREVENT EQUIPMENT PROBLEMS. To help recognize this information, observe the following symbols.

▲ DANGER *Danger indicates an imminently hazardous situation which, if not avoided, WILL result in death or serious injury.*

▲ WARNING *Warning indicates a potentially hazardous situation which, if not avoided, COULD result in death or serious injury.*

▲ CAUTION *Caution indicates a potentially hazardous situation which, if not avoided, MAY result in minor or moderate injury.*

NOTICE *Notice indicates important information, that if not followed, may cause damage to equipment.*

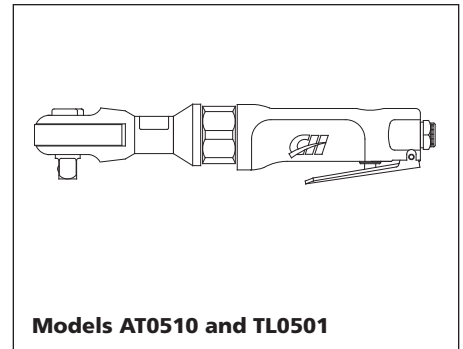
NOTE: Information that requires special attention.

Important Safety Instructions

INSTRUCTIONS PERTAINING TO A RISK OF FIRE, ELECTRIC SHOCK, OR INJURY TO PERSONS

This manual contains safety, operational and maintenance information. Contact your Campbell Hausfeld representative if you have any questions.

▲ WARNING *When using tools, basic precautions should always be followed, including the following:*



Models AT0510 and TL0501

Locate model and date code on tool and record below:

Model No.: _____

Date Code: _____

Retain these numbers for future reference.

CALIFORNIA PROPOSITION 65

▲ WARNING

This product can expose you to chemicals including lead, which are known to the State of California to cause cancer and birth defects or other reproductive harm. For more information go to www.P65Warnings.ca.gov.

▲ WARNING

You can create dust when you cut, sand, drill or grind materials such as wood, paint, metal, concrete, cement, or other masonry. This dust often contains chemicals known to cause cancer, birth defects, or other reproductive harm. Wear protective gear.



REMINDER: Keep your dated proof of purchase for warranty purposes! Attach it to this manual or file it for safekeeping.

Important Safety Instructions (Continued)

ILLINOIS LEAD POISONING PREVENTION ACT

⚠ WARNING

CONTAINS LEAD. MAY BE HARMFUL IF EATEN OR CHEWED. COMPLIES WITH FEDERAL STANDARDS.

GENERAL

- a. To reduce the risks of electric shock, fire, and injury to persons, read all the instructions before using the tool.



- b. Be thoroughly familiar with the controls and the proper use of the equipment. Follow all instructions. Contact your Campbell Hausfeld representative if you have any questions.
- c. Only persons well acquainted with these rules of safe operation should be allowed to use the unit.

⚠ DANGER *Read and understand tool labels and manual. Failure to follow warnings, dangers, and cautions could result in DEATH or SERIOUS INJURY.*

WORK AREA

- a. Keep the work area clean and well lighted. Cluttered benches and dark areas increase the risks of electric shock, fire, and injury to persons.

- b. Do not operate the tool in explosive atmospheres, such as in the presence of flammable liquids, gases, or dust. The tool is able to create sparks resulting in the ignition of the dust or fumes.
- c. Keep bystanders, children, and visitors away while operating the tool. Distractions are able to result in the loss of control of the tool.



PERSONAL SAFETY

- a. Stay alert. Watch what you are doing and use common sense when operating the tool. Do not use the tool while tired or under the influence of drugs, alcohol, or medication. A moment of inattention while operating the tool increases the risk of injury to persons.
- b. Dress properly. Do not wear loose clothing or jewelry. Contain long hair. Keep hair, clothing, and gloves away from moving parts. Loose clothes, jewelry, or long hair increases the risk of injury to persons as a result of being caught in moving parts.
- c. Avoid unintentional starting. Be sure the switch is off before connecting to the air supply. Do not carry the tool with your finger on the switch or connect the tool to the air supply with the switch on.

- d. Remove adjusting keys or wrenches before turning on the tool. A key or wrench attached to a rotating part of the tool may result in personal injury.
- e. Do not overreach. Keep proper footing and balance at all times. Proper footing and balance enables better control of the tool in unexpected situations.
- f. Use safety equipment. A dust mask, non-skid safety shoes and a hard hat must be used for the applicable conditions.
- g. Always wear eye protection.
- h. Always wear hearing protection when using the tool. Prolonged exposure to high intensity noise is able to cause hearing loss.
- i. Do not attach the hose or tool to your body. Attach the hose to the structure to reduce the risk of loss of balance if the hose shifts.

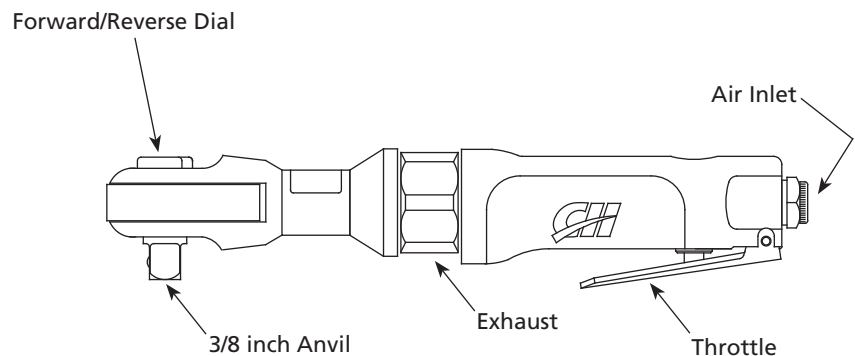


⚠ DANGER *Always remain in a firmly balanced position when using or handling the tool.*

⚠ CAUTION *Avoid long extended periods of work with the tool. Stop using the tool if you feel pain in hands or arms.*

Tool Components and Specifications

Average Air Consumption	2.5 CFM @ 90 PSI
Operating Pressure	90 PSI
Rated RPM	140
Max Torque	50 Ft. Lbs.
Working Torque	10-45 Ft. Lbs.
Gear Type	3 Idler Planetary
Bolt Capacity	3/8 inch
Air Inlet	1/4 inch NPT (Female)
Min. Hose Size	3/8 inch sq.
Drive	3/8 inch sq.
Weight	2.5 Lbs.



Important Safety Instructions (Continued)

- j. Hold tool by insulated gripping surface when performing an operation where the tool may contact hidden wiring. Contacting a "live" wire will make exposed metal parts of the tool "live" and shock the operator.
- k. Avoid body contact with grounded surfaces such as pipes, radiators, ranges, and refrigerators. There is an increased risk of electric shock if your body is grounded.
- l. Explore the workpiece to avoid contact with hidden wiring. Thoroughly investigate the workpiece for possible hidden wiring before performing work. Contact with live wiring will shock the operator.
- m. Never point an air tool at oneself or any other person. Serious injury could occur.
- n. Do not put hands near or under moving parts.

TOOL USE AND CARE

- a. Use clamps or another practical way to secure and support the workpiece to a stable platform. Holding the work by hand or against the body is unstable and is able to lead to loss of control.
- b. Do not force the tool. Use the correct tool for the application. The correct tool will do the job better and safer at the rate for which the tool is designed.
- c. Do not use the tool if the switch does not turn the tool on or off. Any tool that cannot be controlled with the switch is dangerous and must be repaired.
- d. **⚠ WARNING** *Disconnect the tool from the air source before making adjustments, doing tool maintenance, clearing jams, leaving work area, loading, or unloading the tool.* Such precautionary measures reduce the risk of injury to persons.
- e. Store the tool when it is idle out of reach of children and other

untrained persons. A tool is dangerous in the hands of untrained users.

- f. Maintain the tool with care. Keep a cutting tool sharp and clean. A properly maintained tool, with sharp cutting edges reduces the risk of binding and is easier to control.
- g. Check for misalignment or binding of moving parts, breakage of parts, and any other condition that affects the tool's operation. If damaged, have the tool serviced before using. Many accidents are caused by poorly maintained tools. There is a risk of bursting if the tool is damaged.
- h. Use only accessories that are identified by the manufacturer for the specific tool model. Use of an accessory not intended for use with the specific tool model increases the risk of injury to persons.
- i. Selecting an appropriate tool actuation system, taking into consideration the work application for which the tool is used.

⚠ DANGER

Never use gasoline or other flammable liquids to clean the tool. Never use the tool in the presence of flammable liquids or gases. Vapors could ignite by a spark and cause an explosion which will result in death or serious personal injury.



⚠ WARNING

Release all pressure from the system before attempting to install, service, relocate or perform any maintenance.

⚠ WARNING

Always disconnect tool from the power source when unattended, performing any maintenance or repair, clearing a jam, or moving the tool to a new location.

⚠ WARNING

Always fit tool with a fitting or hose coupling on or near the tool in such a manner that all compressed air in the tool is discharged at the time the fitting or hose coupling is disconnected. Do not use a check valve or any other fitting which allows air to remain in the tool. Death or serious personal injury could occur.

⚠ WARNING

Never carry the tool by the air hose or pull the hose to move the tool or a compressor. Keep hoses away from heat, oil and sharp edges. Replace any hose that is damaged, weak or worn. Personal injury or tool damage could occur.

⚠ WARNING

Do not operate or allow anyone else to operate the tool if any warnings or warning labels are not legible. Warnings or warning labels are located on the tool magazine and body.



⚠ WARNING

Do not drop or throw the tool. Dropping or throwing the tool can result in damage that will make the tool unusable or unsafe. If the tool has been dropped or thrown, examine the tool closely for bent, cracked or broken parts and air leaks. STOP and repair before using or serious injury could occur.

⚠ CAUTION

Do not exceed the maximum operating pressure of the air tool (90 PSI). This can reduce the life of the tool.

- j. Do not exceed any pressure rating of any component in the system. Maximum operating pressure of 90 PSI is measured at the tool inlet while the tool is running. The pressure drop between the compressor and tool needs to be compensated for at the compressor.
- k. Do not depress trigger when connecting the air supply hose.
- l. Never trigger the tool when not applied to a work object. Attachments must be securely attached. Loose attachments can cause serious injury.

NOTICE

Clean and check all air supply hoses and fittings before connecting the tool to an air supply. Replace any damaged or worn hoses or fittings. Tool performance or durability may be reduced.

SERVICE

- a. Tool service must be performed only by qualified repair personnel.

Important Safety Instructions (Continued)

- b. When servicing a tool, use only identical replacement parts. Use only authorized parts.
- c. Use only the lubricants supplied with the tool or specified by the manufacturer.

CAUTION Do not make any modifications to the tool without first obtaining written approval from Campbell Hausfeld. Do not use the tool if any shields or guards are removed or altered. Do not use the tool as a hammer. Personal injury or tool damage may occur.

AIR SOURCE

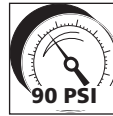
- a. Never connect to an air source that is capable of exceeding 200 PSI. Over pressurizing the tool is able to result in bursting, abnormal operation, breakage of the tool or serious injury to persons. Use only clean, dry, regulated compressed air at the rated pressure or within the rated pressure range as marked on the tool. Always verify prior to using the tool that the air source has been adjusted to the rated air pressure or within the rated air-pressure range.
- b. Never use oxygen, carbon dioxide, combustible gases or any bottled gas as an air source for the tool. Such gases are capable of explosion and serious injury to persons.



DANGER Do not use any type of reactive gases, including, but not limited to, oxygen and combustible gases, as a power source. Use filtered, lubricated, regulated compressed air only. Use of a reactive gas instead of

compressed air may cause the tool to explode which will cause death or serious personal injury.

DANGER Use only a pressure-regulated compressed air source to limit the air pressure supplied to the tool. The regulated pressure must not exceed 90 PSI. If the regulator fails, the pressure delivered to the tool must not exceed 200 PSI. The tool could explode which will cause death or serious personal injury.



SAVE THESE INSTRUCTIONS
DO NOT DISCARD

OPERATING INSTRUCTIONS

LUBRICATION

Proper lubrication is the owner's responsibility. Failure to lubricate the air tool properly will dramatically shorten the life of the tool and will void the warranty.

CAUTION This air tool requires lubrication before the initial use and before and after each additional use.

Air tools require lubrication throughout the life of the tool. Air tool oil is recommended because this oil cleans, lubricates and inhibits rust all in one step. Use Campbell Hausfeld air tool oil ST127001AV or equivalent ISO grade 32 oil.

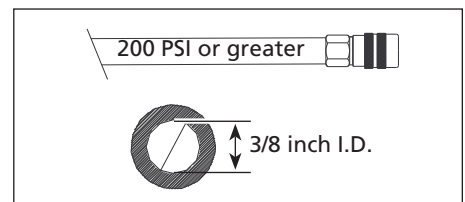
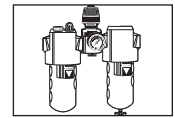
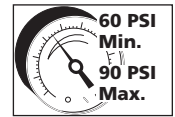
WARNING After an air tool has been lubricated, oil will discharge through the exhaust port during the first few seconds of operation. Thus, the exhaust port must be covered with a towel before applying air pressure. Failure to cover the exhaust port can result in serious injury.

1. Disconnect tool from air supply.
2. Turn tool upside down.
3. While pressing trigger, apply 5 - 10 drops of oil in the air inlet.
4. Connect the air tool to the air supply and cover the exhaust port with a towel. Run the air tool for 7 to 10 seconds. Oil will discharge from the exhaust port when air pressure is applied.

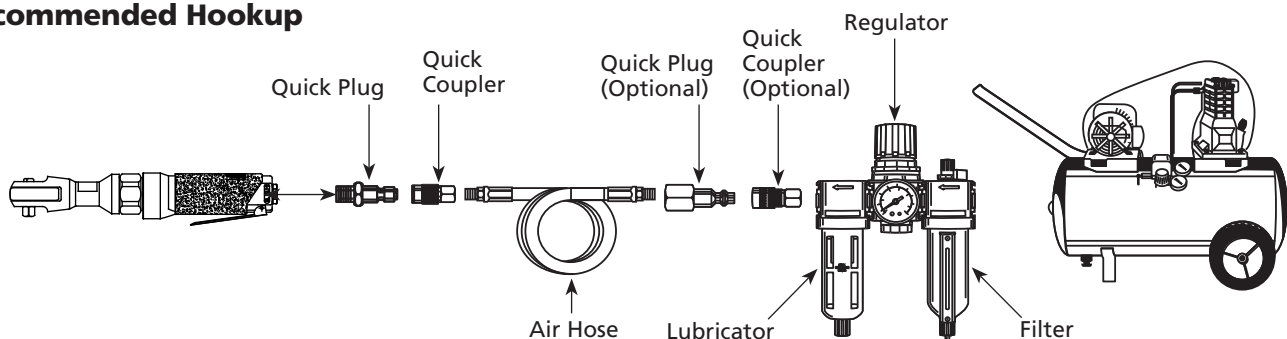
RECOMMENDED HOOKUP

The illustration below shows the recommended hookup for the tool.

1. The air compressor must be able to maintain a minimum of 60 PSI when the tool is being used. An inadequate air supply can cause a loss of power and inconsistent driving.
2. An oiler can be used to provide oil circulation through the tool. A filter can be used to remove liquid and solid impurities which can rust or "gum up" internal parts of the tool.
3. Always use air supply hoses with a minimum working pressure rating equal to or greater than the pressure from the power source if a regulator fails, or 200 PSI, whichever is greater. Use 1/4 inch air hose for



Recommended Hookup



OPERATING INSTRUCTIONS (Continued)

runs up to 50 feet. Use 3/8 inch air hoses for 50 foot run or longer.

4. Use a pressure regulator on the compressor, with an operating pressure of 0 PSI - 125 PSI. A pressure regulator is required to control the operating pressure of the tool between 60 PSI and 90 PSI.

OPERATIONAL MODE

To remove nuts, turn the forward/reverse dial to the right. To install nuts, turn the forward/reverse dial to the left. Reverse the procedure if the threads are left-handed. Do not overtighten the nuts.

⚠ WARNING *When tightening, do not torque down the nuts or bolts with the ratchet as typically done with a hand wrench. This can damage the tool by breaking parts in the ratchet mechanism.*

⚠ WARNING *Use of a whip hose prevents accidental triggering of the tool when pressurized air is connected to the system.*

In addition, the tool's vibration wears out quick couplers prematurely.

Using fittings or air hoses which are too small can create a pressure drop and reduce the power of the tool. A 3/8 inch (I.D.) fitting with 1/4 inch NPT threads is recommended. Most compressors are shipped with a short, 1/4 inch I.D. hose. For proper performance and more convenience, use a 3/8 inch I.D. hose. Hoses longer than 50 feet should have a 1/2 inch I.D.

NOTE: It is not recommended to install a quick coupler between the air tool and the leader (whip) hose.

⚠ WARNING *Never carry a tool by the hose or pull the hose to move the tool or a compressor. Keep hoses away from heat, oil and sharp edges. Replace any hose that is damaged, weak or worn.*

USER-MAINTENANCE INSTRUCTIONS

TECHNICAL SERVICE

For information regarding the operation or repair of this product, please visit www.campbellhausfeld.com.

TOOL REPAIR

Only qualified personnel should repair the tool and they should use genuine Campbell Hausfeld replacement parts and accessories, or parts and accessories which perform equivalently.

ASSEMBLY PROCEDURE FOR SEALS

When repairing a tool, the internal parts must be cleaned and lubricated. Parker O-lube or equivalent must be used on all o-rings. Each o-ring must be coated with O-lube before assembling. A small amount of oil must be used on all moving surfaces and pivots. After reassembling, a few drops of 30W non-detergent oil or equivalent, must be added through the air line before testing.

STORAGE

The air tool must be lubricated before storing. Follow the air tool lubrication instructions with an exception to step 4. Only run the air tool for 2 to 3 seconds instead of 7 to 10 seconds because more oil needs to remain in the air tool when storing.

Troubleshooting Chart

⚠ WARNING *Stop using tool immediately if any of the following problems occur. Serious personal injury could occur. Any repairs or replacements must be done by a Qualified Service Person or Authorized Service Center.*

Symptom	Possible Cause(s)	Corrective Action
Tool runs slowly or will not operate.	1. Grit or gum in tool.	1. Flush the tool with air tool oil, gum solvent, or an equal mixture of SAE 10 motor oil and kerosene. If air tool oil is not used, lubricate the tool after cleaning.
	2. No oil in tool.	2. Lubricate the tool according to the lubrication instructions in this manual.
	3. Low air pressure.	3a. Adjust the regulator on the tool to the maximum setting (If applicable). 3b. Adjust the compressor regulator to tool maximum while the tool is running free.
	4. Air hose leaks.	4. Tighten and seal hose fittings if leaks are found.
	5. Pressure drops.	5a. Be sure the hose is the proper size. Long hoses or tools using large volumes of air may require a hose with an I.D. of 1/2 inch or larger depending on the total length of the hose. 5b. Do not use a multiple number of hoses connected together with quick connect fittings. This causes additional pressure drops and reduces the tool power. Directly connect the hoses together.
	6. Worn rotor blade in motor.	6. Replace rotor blade.
	7. Worn ball bearing in motor.	7. Remove and inspect bearing for rust, dirt and grit or worn race. Replace or clean and regrease bearing with bearing grease.
Moisture blowing out of tool.	1. Water in tank.	1. Drain tank. Oil tool and run until no water is evident. Oil tool again and run 1–2 seconds.
	2. Water in the air lines/hoses.	2a. Install a water separator/filter (PA2121). NOTE: Separators only work properly when the air passing through the separator is cool. Locate the separator/filter as far as possible from the compressor. 2b. Install an air dryer. 2c. Anytime water enters the tool, the tool should be oiled immediately.
Ratchet mechanism slips or will not loosen nut.	1. Ratchet mechanism is dirty.	1. Clean mechanism with air tool oil.

Limited Warranty

1. DURATION: From the date of purchase by the original purchaser as follows: One (1) Year.
2. WHO GIVES THIS WARRANTY (WARRANTOR): Campbell Hausfeld a Marmon/Berkshire Hathaway Company, 350 Embury Drive, Leitchfield, KY, 42754. Visit www.campbellhausfeld.com
3. WHO RECEIVES THIS WARRANTY (PURCHASER): The original purchaser (other than for purposes of resale) of the Campbell Hausfeld product.
4. WHAT PRODUCTS ARE COVERED BY THIS WARRANTY: This Campbell Hausfeld air tool.
5. WHAT IS COVERED UNDER THIS WARRANTY: Substantial defects in material and workmanship which occur within the duration of the warranty period with the exceptions below.
6. WHAT IS NOT COVERED UNDER THIS WARRANTY:
 - A. Implied warranties, including those of merchantability and FITNESS FOR A PARTICULAR PURPOSE ARE LIMITED FROM THE DATE OF ORIGINAL PURCHASE AS STATED IN THE DURATION. If this product is used for commercial, industrial or rental purposes, the warranty will apply for ninety (90) days from the date of purchase. Some States do not allow limitation on how long an implied warranty lasts, so the above limitations may not apply to you.
 - B. ANY INCIDENTAL, INDIRECT, OR CONSEQUENTIAL LOSS, DAMAGE, OR EXPENSE THAT MAY RESULT FROM ANY DEFECT, FAILURE, OR MALFUNCTION OF THE CAMPBELL HAUSFELD PRODUCT. Some States do not allow the exclusion or limitation of incidental or consequential damages, so the above limitation or exclusion may not apply to you.
 - C. Any failure that results from an accident, purchaser's abuse, neglect or failure to operate products in accordance with instructions provided in the owner's manual(s) supplied with product. Accident, purchaser's abuse, neglect or failure to operate products in accordance with instructions shall also include the removal or alteration of any safety devices. If such safety devices are removed or altered, this warranty is void.
 - D. Normal adjustments which are explained in the owner's manual(s) provided with the product.
 - E. Items or service that are normally required to maintain the product, e.g. o-rings, springs, gaskets, packings or seals, lubricants, motor vanes, impact mechanism, or any other expendable part not specifically listed. These items will only be covered for ninety (90) days from date of original purchase. Underlined items are warranted for defects in material and workmanship only.
7. RESPONSIBILITIES OF WARRANTOR UNDER THIS WARRANTY: Repair or replace, at Warrantor's option, products or components which are defective, have malfunctioned and/or failed to conform within the duration of the specific warranty period.
8. RESPONSIBILITIES OF PURCHASER UNDER THIS WARRANTY:
 - A. Provide dated proof of purchase and maintenance records.
 - B. Visit www.campbellhausfeld.com to obtain your warranty service options. Freight costs must be borne by the purchaser.
 - C. Use reasonable care in the operation and maintenance of the products as described in the owner's manual(s).
9. WHEN WARRANTOR WILL PERFORM REPAIR OR REPLACEMENT UNDER THIS WARRANTY: Repair or replacement will be scheduled and serviced according to the normal work flow at the servicing location, and depending on the availability of replacement parts.

This Limited Warranty applies in the United States, Canada and Mexico only and gives you specific legal rights. You may also have other rights which vary from state to state or country to country.

Veillez lire et conserver ces instructions. Lire attentivement avant de commencer à assembler, installer, faire fonctionner ou entretenir l'appareil décrit. Protégez-vous et les autres en observant toutes les informations sur la sécurité. Négliger d'appliquer ces instructions peut résulter en des blessures corporelles et/ou en des dommages matériels ! Conserver ces instructions pour références ultérieures.



Rochet de 9,5 mm (3/8 po)

Table des matières

Description	1-Fr
Déballage	1-Fr
Directives de sécurité	1-Fr
Importantes instructions de sécurité	1-Fr
Pièces détachées et fisch technique mécanisme de la l'outil	2-Fr
Mode d'emploi	4-Fr
Graissage	4-Fr
Branchement recommandé.	4-Fr
Mode d'opération	5-Fr
Instructions de maintenance de l'utilisateur	5-Fr
Guide de dépannage	6-Fr
Garantie limitée	8-Fr

Description

Les rochets sont des outils pneumatiques conçus pour enlever et installer les bougies d'allumage et différentes pièces de moteurs telles que les pompes à eau, radiateurs, etc. Les utiliser dans les endroits restreints là où les outils à main sont encombrants.

Déballage

Dès que l'appareil est déballé, l'inspecter attentivement pour tout signe de dommages en transit. S'assurer de resserrer tous les raccords, boulons, etc. avant de le mettre en service.

Directives de Sécurité

Ce manuel contient de l'information très importante qui est fournie pour la SÉCURITÉ et pour ÉVITER LES PROBLÈMES D'ÉQUIPEMENT. Rechercher les symboles suivants pour cette information.

⚠ DANGER *Danger indique une situation hasardeuse imminente qui RÉSULTERA en perte de vie ou blessures graves.*

⚠ AVERTISSEMENT *Avertissement indique une situation hasardeuse potentielle qui PEUT résulter en perte de vie ou blessures graves.*

⚠ ATTENTION *Attention indique une situation hasardeuse potentielle qui PEUT résulter en blessures.*

AVIS *Avis indique de l'information importante pour éviter le dommage de l'équipement.*

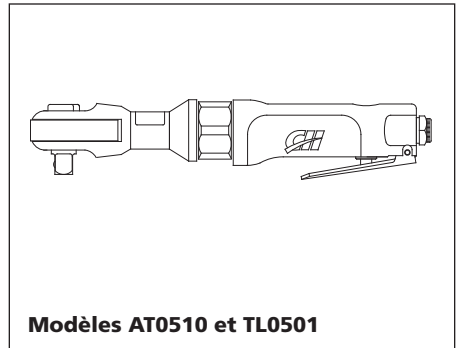
REMARQUE : L'information qui exige une attention spéciale.

Importantes instructions de sécurité

INSTRUCTIONS PORTANT SUR UN RISQUE D'INCENDIE, UN CHOC ÉLECTRIQUE OU DES BLESSURES AUX PERSONNES

Ce manuel contient des informations concernant la sécurité, le fonctionnement et l'entretien. Contacter votre représentant Campbell Hausfeld si vous avez des questions.

⚠ AVERTISSEMENT *En utilisant les outils, il faut suivre les précautions de base, y compris ce qui suit :*



Modèles AT0510 et TL0501

Trouver le numéro de modèle et le code date sur le chargeur de l'outil et inscrire plus bas :

N° du Modèle : _____

Code de date : _____

Conserver ces numéros comme référence.

PROPOSITION 65 DE CALIFORNIE

⚠ AVERTISSEMENT

Ce produit peut vous exposer à des produits chimiques incluant le plomb, connus par l'état de la Californie comme pouvant causer le cancer, des anomalies congénitales ou d'autres troubles de la reproduction. Pour plus d'informations, rendez-vous sur le site www.P65Warnings.ca.gov.

⚠ AVERTISSEMENT

Vous pouvez créer de la poussière en coupant, ponçant, perçant ou meulant les matériaux tels que le bois, la peinture, le métal, le béton, le ciment ou autre maçonnerie. Cette poussière contient souvent des produits chimiques reconnus pour causer le cancer, les déformations congénitales ou autres problèmes de la reproduction. Porter de l'équipement de protection.



**MÉMENTO: Gardez votre preuve datée d'achat à fin de la garantie!
Joignez-la à ce manuel ou classez-la dans un dossier pour plus de sécurité.**


Importantes instructions de sécurité (Suite)

ILLINOIS LEAD POISONING PREVENTION ACT (LOI SUR LA PRÉVENTION DE L'EMPOISONNEMENT AU PLOMB DE L'ÉTAT DE L'ILLINOIS)

⚠ AVERTISSEMENT

CONTIENT DU PLOMB. PEUT ÊTRE NOCIF SI INGÉRÉ OU MÂCHÉ. RESPECTE LES NORMES FÉDÉRALES.

GÉNÉRALITÉ :


- Pour réduire les risques de chocs électriques, d'incendie ou de blessures aux personnes, lire toutes les instructions avant d'utiliser l'outil. 
- Se familiariser avec ce produit, ses commandes et son utilisation. Suivez toutes les instructions. Contacter votre représentant Campbell Hausfeld si vous avez des questions.
- Seules les personnes familières avec ces règles d'utilisation sans danger devraient utiliser cette unité.

⚠ DANGER Lire et comprendre les étiquettes et le manuel sur les outils. Ne pas suivre les avertissements, les dangers et les mises en garde pourrait causer la MORT ou de GRAVES BLESSURES.

AIRE DE TRAVAIL

- Garder l'aire de travail propre et bien éclairée. Les établis encombrés et les coins sombres augmentent les risques de chocs électriques,

d'incendie et de blessures aux personnes.



- Ne pas faire fonctionner l'outil dans une atmosphère explosive comme en présence de liquides, gaz ou poussières inflammables. L'outil peut produire des étincelles menant à une inflammation de poussières ou de fumées. 
- Garder les spectateurs, les enfants et les visiteurs loin en utilisant l'outil. Les distractions peuvent faire perdre le contrôle de l'outil.

SÉCURITÉ PERSONNELLE

- Rester vigilant. Il faut regarder ce que vous faites et utiliser son sens commun en faisant fonctionner un outil. Ne pas faire fonctionner l'appareil si vous êtes fatigué ou sous l'influence de drogues, d'alcool ou de médicaments. Un moment d'inattention en faisant fonctionner l'outil augmente le risque de blessures.
- Il faut s'habiller correctement. Ne pas porter de bijoux ou de vêtements amples. Attacher les cheveux longs. Garder les cheveux, les vêtements et les gants loin des pièces mobiles. Les vêtements amples, les bijoux ou les cheveux longs augmentent le risque de blessures si quelque chose se prend dans les pièces mobiles.
- Éviter tout démarrage accidentel. S'assurer que l'interrupteur est en position d'arrêt (off) avant de

brancher à l'alimentation d'air.

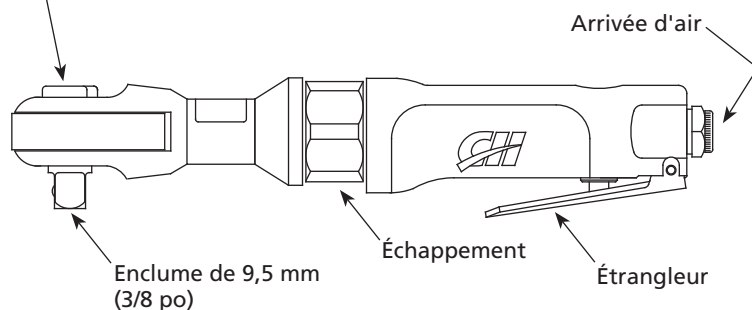
Ne pas transporter l'outil avec le doigt sur l'interrupteur ni brancher l'outil à l'alimentation d'air avec l'interrupteur en marche.

- Ne pas trop se pencher. Garder bon pied et bon équilibre en tout temps. Ceci permet d'avoir un meilleur contrôle de l'outil dans les situations imprévues.
- Retirer les clés à ouverture fixe ou les clés d'ajustement avant de mettre l'outil en marche. Une clé ou une clé à ouverture fixe installée sur une pièce mobile de l'outil pourrait mener à une blessure.
- Utiliser l'équipement de sécurité. Il faut utiliser un masque antipoussières, des souliers de sécurité antidérapants et un casque de protection appropriés pour les conditions en cours.
- Toujours porter une protection pour les yeux. 
- Toujours porter une protection auditive en utilisant l'outil. Toute exposition prolongée à des bruits de forte intensité pourrait provoquer une perte auditive. 
- Ne pas attacher le boyau d'air ou l'outil à votre corps. Fixer le boyau à la structure pour réduire le risque de perte d'équilibre si le boyau se déplace.

Tool Components and Specifications

Consommation d'air moyenne.	70,8 l/min @ 621 kPa
Pression d'opération	621 kPa
tr/min (nominale)	140
Couple Max.	6,92 kg m
Couple de Service.	1,38 - 6,22 kg m
Type d'engrenage	Planétaire 3 galets tendeurs
Capacité de boulon	9.5 mm (3/8 po)
Arrivée d'air	1/4 po NPT (Femelle)
Taille de tuyau min.	9.5 mm (3/8 po)
Entraînement	9.5 mm (3/8 po) carré
Poids	1,13 kg

Cadran de marche avant/arrière



Importantes instructions de sécurité (Suite)

⚠ DANGER *Toujours bien s'équilibrer pendant la manipulation ou l'utilisation de l'outil.*

⚠ ATTENTION *Éviter d'utiliser l'outil pour une période de temps prolongée. Cesser d'utiliser l'outil si l'on ressent des douleurs dans les mains ou dans les bras.*

- j. Tenir l'outil par une surface de prise isolée en effectuant le travail lorsque l'outil pourrait entrer en contact avec un câblage caché. Un contact avec un fil « sous tension » rendra les pièces de métal exposées de l'outil « sous tension » et produira un choc pour l'opérateur.
- k. Éviter tout contact avec les surfaces mises à la terre telles que les tuyaux, les radiateurs, les cuisinières et les réfrigérateurs. Il y a un risque accru de choc électrique si votre corps est mis à la terre.
- l. Vérifiez la pièce de travail pour éviter le contact avec un câblage caché. Vérifiez minutieusement la pièce de travail pour tout câblage caché possible avant la travailler. Le contact avec un câblage sous tension donnera un choc électrique à l'opérateur.
- m. Ne jamais diriger un outil pneumatique vers soi ni vers une autre personne afin d'éviter tout risque de blessure grave.
- n. Ne pas mettre les mains près de ni sous les pièces mobiles.

UTILISATION ET ENTRETIEN DE L'OUTIL

- a. Utiliser des pinces ou tout autre moyen pratique pour fixer et supporter le travail à une plateforme stable. Tenir le travail de la main ou contre le corps est instable et pourrait mener à une perte de contrôle.
- b. Ne pas forcer l'outil. Utiliser le bon outil pour l'application. Le bon outil effectuera le meilleur travail sécuritaire au rythme pour lequel il a été conçu.
- c. Ne pas utiliser l'outil si l'interrupteur ne met pas l'outil en marche ou ne

l'arrête pas. Tout outil qui ne peut pas être contrôlé par l'interrupteur est dangereux et doit être réparé.

- d. **⚠ AVERTISSEMENT** *Débrancher l'outil de la source d'air avant tout ajustement, entretien de l'outil, déblocages, avant de quitter l'aire de travail, de charger ou de décharger l'outil.* De telles mesures de précautions réduisent le risque de blessures.
- e. Ranger l'outil lorsqu'il n'est pas utilisé hors de portée des enfants et autres personnes non formées. Un outil est dangereux dans les mains d'utilisateurs non formés.
- f. Il faut entretenir l'outil avec soin. Gardez un outil de coupe tranchant et propre. Un outil bien entretenu aux bords de coupe tranchants est moins susceptible de bloquer et est plus facile à contrôler.
- g. Vérifier pour tout signe de mauvais alignement ou grippage de pièces mobiles, bris de pièces et toute autre condition qui pourrait affecter le fonctionnement de l'outil. Si l'outil est endommagé, le réparer avant de l'utiliser. De nombreux accidents sont causés par des outils mal entretenus. Il y a un risque d'éclatement si l'outil est endommagé.
- h. Utiliser seulement des accessoires identifiés par le fabricant pour le modèle précis d'outil. Utiliser un accessoire non prévu pour une utilisation avec le modèle précis d'outil augmente le risque de blessures pour les personnes.
- i. Choisir un système d'activation de l'outil approprié en tenant compte de l'application de travail prévue pour l'outil.

⚠ DANGER *Ne jamais utiliser de l'essence ni les fluides inflammables pour le nettoyage de l'outil. Ne jamais utiliser l'outil près d'un liquide ou gaz inflammable. Une étincelle peut allumer les vapeurs et causer une explosion qui peut résulter en perte de vie ou blessures graves personnelles.*

⚠ AVERTISSEMENT *Dissiper toute la pression du système avant d'essayer d'installer, réviser, déplacer le produit ou de procéder à son entretien.*

⚠ AVERTISSEMENT *Toujours débrancher*



l'outil de la source de courant en votre absence, en effectuant des réparations ou son entretien, en débloquent l'appareil ou en le déplaçant ailleurs.

⚠ AVERTISSEMENT *Toujours installer un raccord ou un tuyau de raccord sur ou près de l'outil afin que tout air comprimé de l'outil soit déchargé au moment où l'on débranche le raccord ou le boyau. Ne pas utiliser un clapet ni autre raccord qui permet que l'air reste dans l'outil. Cela peut entraîner des blessures graves ou mortelles.*

⚠ AVERTISSEMENT *Ne jamais transporter l'outil par le tuyau à air. Ne jamais tirer sur le tuyau pour déplacer l'outil ou le compresseur. Garder le tuyau à air à l'écart de la chaleur, l'huile et les objets pointus. Remplacer les tuyaux endommagés, faibles ou usés. Sinon, il y a risque de blessures personnelles ou de dommage à l'outil.*

⚠ AVERTISSEMENT *Ne pas utiliser l'outil ni permettre qu'une autre personne l'utilise si les avertissements ou les étiquettes d'avertissement situés sur le chargeur et corps de l'outil ne sont pas lisibles.*



⚠ AVERTISSEMENT *Ne pas échapper ni jeter l'outil car ceci peut causer du dommage le rendant dangereux à utiliser. Si l'outil s'est fait échappé ou jeté, l'examiner soigneusement afin de déterminer s'il est courbé, fendu ou s'il y a des fuites ou pièces détachées endommagées. ARRÊTER et réparer avant d'utiliser, sinon, il y a risque de blessures graves.*

⚠ ATTENTION *Ne pas dépasser la pression maximum de service de l'outil pneumatique (621 kPa). Cela risquerait de réduire la durée de service.*

- j. Ne pas dépasser la pression nominale de tout élément du système. Une pression de service maximale de 621 kPa est jaugée à la prise d'air de l'outil pendant son fonctionnement. Il est nécessaire de compenser pour la perte de pression entre le compresseur et l'outil au compresseur.
- k. Ne pas appuyer sur la gâchette lors du branchement du tuyau d'alimentation en air.
- l. Ne jamais appuyer sur la gâchette de l'outil tant qu'il n'y a pas contact avec l'objet de travail. Les accessoires

Importantes instructions de sécurité (Suite)

doivent être bien fixés pour éviter tout risque de blessure grave.

AVIS Nettoyer et vérifier tous les tuyaux et raccords avant de brancher l'outil au compresseur d'air. Remplacer les tuyaux ou les raccords endommagés ou usés, sinon, le rendement et la durabilité de l'outil seront affectés.

SERVICE

- Tout le travail d'entretien et de réparation doit être effectué seulement par un personnel de réparation qualifié.
- En réparant ou faisant l'entretien d'un outil, utiliser seulement des pièces de rechange identiques. Utiliser seulement des pièces autorisées.
- Utiliser seulement les lubrifiants fournis avec l'outil ou spécifiés par le fabricant.

ATTENTION Ne pas apporter de modifications à l'outil sans d'abord obtenir une approbation écrite de Campbell Hausfeld. N'utilisez pas d'outil si les écrans ou protecteurs ont été enlevés ou altérés. Ne pas utiliser l'outil comme marteau. Cela peut entraîner des blessures ou endommager l'appareil.

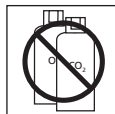
SOURCE D'AIR

- Ne jamais brancher à une source d'air pouvant dépasser 1379 kPa (200 lb/po²). Une surpression de l'outil peut mener à un éclatement, une opération anormale, un bris de l'outil ou de graves blessures. Utiliser seulement de l'air comprimé propre, sec, contrôlé à une pression nominale ou dans la plage de pression nominale tel qu'indiqué sur l'outil. Toujours vérifier avant d'utiliser l'outil que la source

d'air est ajustée à la pression d'air nominale ou dans la plage de pression d'air nominale.

- Ne jamais utiliser d'oxygène, de dioxyde de carbone, de gaz combustible ou tout gaz en bouteille comme source d'air de l'outil. De tels gaz peuvent exploser et provoquer de graves blessures.

DANGER Ne pas utiliser comme source d'alimentation tout type de gaz réactif, y compris, mais sans s'y limiter, de l'oxygène et des gaz combustibles. Utiliser seulement de l'air comprimé filtré, lubrifié et réglé. Utiliser un gaz réactif au lieu d'air comprimé pourrait faire exploser l'outil ce qui pourrait provoquer des blessures graves voire la mort.



DANGER Utiliser seulement une source d'air comprimé à pression pour limiter la pression d'air fournie à l'outil. La pression contrôlée ne doit pas dépasser 621 kPa. S'il y a une défaillance du régulateur, la pression livrée à l'outil ne doit pas dépasser 1 379 kPa. L'outil pourrait exploser ce qui pourrait mener à la mort ou à des blessures graves.



CONSERVER CES INSTRUCTIONS
NE LES JETEZ PAS

MODE D'EMPLOI

GRAISSAGE

L'utilisateur est responsable du graissage correct. Un graissage incorrect de l'outil pneumatique raccourcira de façon spectaculaire sa durée de service et annulera la garantie.

ATTENTION Cet outil pneumatique requiert un graissage avant le premier usage et avant et après chaque usage subséquent.

Les outils pneumatiques requièrent le graissage pendant toute leur durée de service. L'huile pour outils pneumatiques est recommandée parce qu'elle nettoie, graisse et empêche la rouille en une étape. Veuillez utiliser l'huile ST127001AV pour l'outil pneumatique ou une huile équivalente de grade ISO 32.

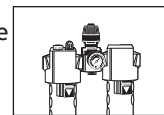
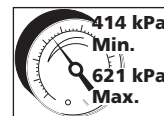
AVERTISSEMENT Après le graissage d'un outil pneumatique, de l'huile s'écoulera de l'orifice de sortie lors des quelques premières secondes de fonctionnement. Pour éviter tout risque de blessure grave, recouvrir cet orifice d'un torchon avant d'alimenter en air comprimé.

- Déconnecter l'outil de la source d'air.
- Inversez l'outil.
- En appuyant sur le gâchette, appliquez 5 -10 baisses d'huile dans l'arrivée d'air.
- Brancher l'outil pneumatique à l'alimentation en air et couvrir l'orifice de sortie avec un torchon. Faire fonctionner l'outil pneumatique pendant 7 à 10 secondes. De l'huile s'écoulera de l'orifice de sortie lorsque l'outil est alimenté en air.

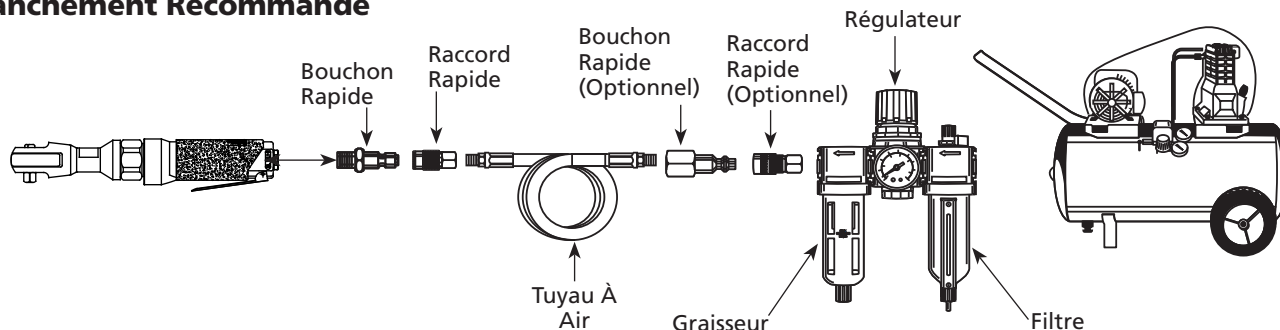
BRANCHEMENT RECOMMANDÉ

Le branchement recommandé est illustré ci-dessous.

- Le compresseur d'air doit conserver un minimum de 414 kPa pendant l'utilisation de l'outil. L'alimentation d'air insuffisante peut réduire la puissance de l'outil et peut affecter l'efficacité de l'enfoncement.
- Un graisseur peut être utilisé pour fournir la circulation d'huile à travers l'outil. Un filtre peut être utilisé pour enlever



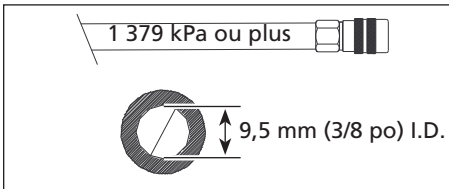
Branchement Recommandé



MODE D'EMPLOI (Suite)

les matières liquides et solides qui peuvent encrasser les pièces internes de l'outil.

3. Toujours utiliser des tuyaux d'admission d'air d'une pression nominale minimum égale ou plus grande que la pression de la source d'alimentation si un régulateur cesse de fonctionner correctement ou de 1 379 kPa, selon la pression la plus élevée. Utiliser un tuyau d'air de 6,4 mm (1/4 po) pour les longueurs jusqu'à 15 m (50 pieds). Utiliser les tuyaux d'air de 9,5 mm (3/8 po) pour 15 m ou plus.



4. Utiliser un régulateur de pression sur le compresseur avec une pression de service de 0 kPa - 862 kPa. Un régulateur de pression est indispensable pour maintenir la pression de service de l'outil entre 414 kPa et 621 kPa.

MODE D'OPÉRATION

Pour enlever les écrous, tourner l'inverseur de sens de rotation vers la droite. Pour les installer, le tourner vers la gauche. Faire l'inverse si le filetage est à gauche. Ne pas trop serrer les écrous.

⚠ AVERTISSEMENT *Lors du serrage, ne pas serrer les écrous et boulons comme on le fait généralement avec une clé à main. Cela risque d'endommager l'outil en cassant les pièces du mécanisme de rochet.*

⚠ AVERTISSEMENT *L'utilisation d'un tuyau fléchi sert à éviter le déclenchement accidentel de la gâchette de l'outil quand l'air pressurisé est branché au système.*

Aussi, la vibration de l'outil peut causer l'usure prémature des connecteurs rapides.

L'utilisation de raccords ou tuyaux d'air trop petits, peut créer une chute de pression et réduire la puissance de l'outil. Un raccord de 3/8 po de diamètre intérieur avec filetage 1/4 po NPT est recommandé. La plupart des compresseurs sont livrés avec un tuyau court de 1/4 po de diamètre intérieur. Pour obtenir un bon rendement et une meilleure fonctionnalité, utiliser un tuyau de 3/8 po de diamètre intérieur. Les tuyaux de plus de 15,24 m de long doivent avoir un diamètre intérieur de 1/2 po.

REMARQUE: Il n'est pas recommandé de monter un coupleur rapide entre l'outil pneumatique et l'amorce (fléchie) du tuyau.

⚠ AVERTISSEMENT *Ne jamais transporter un outil en le tenant par le tuyau ni tirer sur celui-ci pour déplacer l'outil ou un compresseur. Garder les tuyaux à l'écart de la chaleur, de l'huile et des bords tranchants. Remplacer tout tuyau endommagé, peu robuste ou usé.*

INSTRUCTIONS DE MAINTENANCE DE L'UTILISATEUR

SUPPORT TECHNIQUE

Pour de l'information sur le fonctionnement ou la réparation de ce produit, veuillez visiter le www.campbellhausfeld.com

RÉPARATION D'OUTILS

Seul un personnel qualifié doit réparer l'outil en utilisant seulement des accessoires et des pièces de rechange Campbell Hausfeld, ou des pièces et accessoires qui fonctionnent de manière équivalente.

MÉTHODE D'ASSEMBLAGE POUR LES JOINTS D'ÉTANCHÉITÉ

Les pièces internes doivent être nettoyées et graissées pendant la réparation d'un outil. Utiliser le Parker O-lube ou l'équivalent sur tous les joints toriques. Chaque joint torique doit être enrobé avec du O-lube avant l'assemblage. Utiliser un peu d'huile sur toutes les surfaces mouvantes et pivots. Après le remontage, ajouter quelque gouttes d'huile sans détergent 30W ou l'équivalent à travers la canalisation d'air avant de faire l'essai.

RANGEMENT

L'outil pneumatique doit être graissé avant l'entreposage. Suivre les instructions de graissage du moteur pneumatique, à l'exception de l'étape 4. Ne faire tourner l'outil pneumatique que pendant 2 à 3 secondes, au lieu de 7 à 10 secondes parce qu'il requiert plus d'huile pour l'entreposage.

Guide de Dépannage



Cesser d'utiliser immédiatement l'outil si l'un des problèmes suivants apparaît. Toutes réparations doivent être effectuées par un Technicien Qualifié ou par un Centre De Service Autorisé.

Autorisé.

Problème	Cause	Solution
L'outil tourne trop lentement ou ne fonctionne pas	<ol style="list-style-type: none"> Présence de grenaille ou de gomme dans l'outil. Absence d'huile dans l'outil. Pression d'air trop basse. Fuites dans le tuyau d'air. Chute de la pression. Usure d'une pale de rotor du moteur. Usure d'un roulement dans le réservoir. 	<ol style="list-style-type: none"> Rincer l'outil avec de l'huile pour outil pneumatique, du dissolvant de gomme ou un mélange en proportions égales d'huile moteur SAE10 et de kérosène. En cas d'utilisation d'un produit autre que l'huile pour outils pneumatiques, graisser l'outil après l'avoir nettoyé. Graisser l'outil conformément aux instructions de graissage données dans ce manuel. Régler le régulateur de l'outil à la position maximum. Régler le régulateur du compresseur à la position maximum lorsque l'outil tourne dans le vide. Serrer et assurer l'étanchéité des raccords du tuyau en cas de fuites. Veiller à ce que le tuyau soit de la bonne taille. Les longs tuyaux ou les outils exigeant de grands volumes d'air peuvent nécessiter un diamètre intérieur de tuyau d'au moins 1/2 po, suivant la longueur totale du tuyau. Ne pas utiliser plusieurs tuyaux reliés ensemble au moyen de raccords rapides. Cela provoque des chutes de pression supplémentaires et réduit la puissance de l'outil. Brancher les tuyaux directement les uns aux autres. Remplacer la pale du rotor. Enlever et inspecter le roulement pour voir s'il est rouillé, sale, contient de la grenaille ou a une bague usée. Remplacer ou nettoyer et regraisser le roulement avec la graisse à roulements.
Humidité expulsée de l'outil	<ol style="list-style-type: none"> Présence d'eau dans le réservoir Présence d'eau dans la canalisation/le tuyau d'air. 	<ol style="list-style-type: none"> Purger le réservoir. Huiler l'outil et le faire tourner jusqu'à ce qu'il semble ne plus contenir d'eau. Huiler de nouveau l'outil et le faire tourner pendant 1 ou 2 secondes. Monter un séparateur/filtre d'eau. REMARQUE : les séparateurs ne fonctionnent correctement que lorsque l'air qui les traverse est frais. Positionner le séparateur/filtre aussi loin que possible du compresseur. Installer un sécheur d'air. Graisser l'outil immédiatement quand l'eau entre dans l'outil.
Le mécanisme de cliquet dérape ou ne desserre pas	<ol style="list-style-type: none"> Le mécanisme de cliquet est sale. 	<ol style="list-style-type: none"> Nettoyer le mécanisme avec de la graisse à outils pneumatiques.

Garantie Limitée

1. DURÉE: À partir de la date d'achat par l'acheteur original comme suit - Un An.
2. GARANTIE ACCORDÉE PAR (GARANT): Campbell Hausfeld a Marmon/Berkshire Hathaway Company, 350 Embury Drive, Leitchfield, KY, 42754. Visitez www.campbellhausfeld.com
3. BÉNÉFICIAIRE DE CETTE GARANTIE (ACHETEUR): L'acheteur original (sauf en cas de revente) du produit Campbell Hausfeld.
4. PRODUITS COUVERTS PAR CETTE GARANTIE: Cet outil pneumatique Campbell Hausfeld.
5. COUVERTURE DE LA PRÉSENTE GARANTIE: Défauts importants de matériaux et de main d'oeuvre qui se produisent durant la période de garantie à l'exception de ce qui est noté plus bas.
6. LA PRÉSENTE GARANTIE NE COUVRE PAS:
 - A. Les garanties implicites, y compris celles de commercialisabilité et D'ADAPTION À UNE FONCTION PARTICULIÈRE SONT LIMITÉES À PARTIR DE LA DATE D'ACHAT INITIALE TELLE QU'INDIQUÉE DANS LA SECTION DURÉE. Si ce produit est utilisé pour une fonction commerciale, industrielle ou pour la location, la durée de la garantie sera quatre-vingt-dix (90) jours à compter de la date d'achat. Quelques Provinces (États) n'autorisent pas de limitations de durée pour les garanties implicites. Les limitations précédentes peuvent donc ne pas s'appliquer.
 - B. TOUT DOMMAGE, PERTE OU DÉPENSE FORTUIT OU INDIRECT POUVANT RÉSULTER DE TOUT DÉFAUT, PANNE OU MAUVAIS FONCTIONNEMENT DU PRODUIT CAMPBELL HAUSFELD. Quelques Provinces (États) n'autorisent pas l'exclusion ni la limitation des dommages fortuits ou indirects. La limitation ou exclusion précédente peut donc ne pas s'appliquer.
 - C. Toute panne résultant d'un accident, d'une utilisation abusive, de la négligence ou d'une utilisation ne respectant pas les instructions données dans le(s) manuel(s) accompagnant le produit. Un accident, l'utilisation abusive par l'acheteur, la négligence ou le manque de faire fonctionner les produits selon les instructions comprend aussi l'enlèvement ou la modification de n'importe quel appareil de sûreté. Si ces appareils de sûreté sont enlevés ou modifiés, la garantie sera annulée.
 - D. Réglages normaux qui sont expliqués dans le(s) manuel(s) d'utilisation accompagnant le produit.
 - E. Articles ou services qui sont exigés pour l'entretien normal du produit par ex. joints toriques, ressorts, joints d'étanchéité, garnitures ou sceaux, lubrifiants, aubes du moteur, mécanisme à chocs, ou toute autre pièce consommable non spécifiquement indiquée. Ces articles ne seront couverts que pendant quatre-vingt-dix (90) jours de la date d'achat original. Les articles soulignés sont garantis contre les défauts de matériaux et de fabrication seulement.
7. RESPONSABILITÉS DU GARANT AUX TERMES DE CETTE GARANTIE: Réparer ou remplacer, au choix du Garant, les produits ou composants défectueux, qui ont connu une défaillance et/ou qui ne sont pas conformes pendant la durée précise de validité de la garantie.
8. RESPONSABILITÉS DE L'ACHETEUR AUX TERMES DE CETTE GARANTIE:
 - A. Fournir une preuve d'achat datée et un état d'entretien.
 - B. Visitez www.campbellhausfeld.com pour obtenir vos options de service sous garantie. Les frais de transport sont la responsabilité de l'acheteur.
 - C. Utilisation et entretien du produit avec un soin raisonnable, ainsi que le décrit le(s) manuel(s) d'utilisation.
9. RÉPARATION OU REMPLACEMENT EFFECTUÉ PAR LE GARANT AUX TERMES DE LA PRÉSENTE GARANTIE: La réparation ou le remplacement sera prévu et exécuté en fonction de la charge de travail dans le centre de service et dépendra de la disponibilité des pièces de rechange.

Cette Garantie Limitée s'applique aux É.-U., au Canada et au Mexique seulement et vous donne des droits juridiques précis. L'acheteur peut également jouir d'autres droits qui varient d'une Province, d'un État ou d'un Pays à l'autre.

Por favor lea y guarde estas instrucciones. Léalas cuidadosamente antes de tratar de montar, instalar, operar o dar mantenimiento al producto aquí descrito. Protéjase usted mismo y a los demás observando toda la información de seguridad. ¡El no cumplir con las instrucciones puede ocasionar daños, tanto personales como a la propiedad! Guarde estas instrucciones para referencia en el futuro.



Trinquetes de 9,5 mm (3/8")

Índice

Descripción	1-Sp
Desempaque	1-Sp
Medidas de Seguridad	1-Sp
Instrucciones de Seguridad	
Importantes	1-Sp
Componentes y Especificaciones de la Herramienta	2-Sp
Instrucciones de Funcionamiento	4-Sp
Lubricación	4-Sp
Conexión Recomendada	5-Sp
Modo de Operación	5-Sp
Instrucciones de uso y	
Mantenimiento	5-Sp
Guía de Diagnóstico de Averías	6-Sp
Garantía Limitada	8-Sp

Descripción

Los trinquetes son herramientas neumáticas diseñadas para sacar e instalar bujías y otras piezas de motores tales como bombas de agua, radiadores, etc. Úselo en áreas poco accesibles donde el uso de herramientas de mano sea dificultoso.

Desempaque

Al desempacar este producto, revíselo con cuidado para cerciorarse de que esté en perfecto estado. Cericiórese de apretar todas las conexiones, pernos, etc. antes de comenzar a utilizar la unidad.

Medidas de Seguridad

Este manual contiene información que es muy importante que sepa y comprenda. Esta información se la suministramos como medida de SEGURIDAD y para EVITAR PROBLEMAS CON EL EQUIPO. Debe reconocer los siguientes símbolos.

▲ PELIGRO Esto le indica que hay una situación inmediata que LE OCASIONARIA la muerte o heridas de gravedad.

▲ ADVERTENCIA Esto le indica que hay una situación que PODRIA ocasionarle la muerte o heridas de gravedad.

▲ PRECAUCION Esto le indica que hay una situación que PODRIA ocasionarle heridas no muy graves.

AVISO Esto le indica una información importante, que de no seguirla, le podría ocasionar daños al equipo.

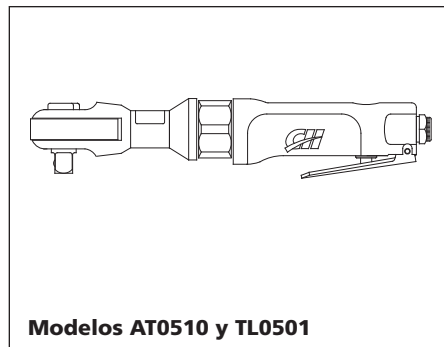
NOTA: Información que requiere atención especial.

Instrucciones de Seguridad Importantes

INSTRUCCIONES EN REFERENCIA AL PELIGRO DE INCENDIOS, CHOQUE ELÉCTRICO O LESIONES PERSONALES

Este manual contiene información sobre seguridad, funcionamiento y mantenimiento. Póngase en contacto con su representante Campbell Hausfeld si tiene alguna pregunta.

▲ ADVERTENCIA Cuando se usen herramientas, siempre se deberán seguir precauciones básicas, incluyendo las siguientes:



Modelos AT0510 y TL0501

Localice el modelo y el código de fecha en la herramienta y regístrelo debajo:

Modelo: _____

Código de fecha _____

Guarde estos números para referencia futura.

PROPOSICIÓN 65 DE CALIFORNIA

▲ ADVERTENCIA

Este producto puede exponerlo a sustancias químicas, incluyendo el plomo. Además, el estado de California reconoce que ocasionan cáncer y defectos congénitos u otros daños reproductivos. Para obtener más información, visite el sitio web www.P65Warnings.ca.gov.

▲ ADVERTENCIA Cuando corta

lija, taladra o pule materiales como por ejemplo madera, pintura, metal, hormigón, cemento, u otro tipo de mampostería se puede producir polvo. Con frecuencia este polvo contiene productos químicos que se conocen como causantes de cáncer, defectos congénitos u otros daños reproductivos. Use equipo de protección.



RECORDATORIO: ¡Guarde su comprobante de compra con fecha para fines de la garantía!

Adjúntela a este manual o archívela en lugar seguro.

Instrucciones de Seguridad Importantes (Continúa)

⚠ ADVERTENCIA

LEY DE PREVENCIÓN DE ENVENENAMIENTO POR PLOMO DE ILLINOIS

CONTIENE PLOMO. PUEDE SER NOCIVO SI SE INGIERE O MASTICA. CUMPLE CON LAS NORMAS FEDERALES.

GENERAL

- a. Para reducir el riesgo de choque eléctrico, incendio y lesiones personales, lea todas las instrucciones antes de usar la herramienta.



- b. Familiarícese con los controles y el uso adecuado del equipo. Siga todas las instrucciones. Póngase en contacto con su representante Campbell Hausfeld si tiene alguna pregunta.
- c. Sólo se les debe permitir usar esta unidad a aquellas personas bien familiarizadas con estas reglas de manejo seguro.

⚠ PELIGRO Lea y comprenda las etiquetas y el manual de la herramienta. Si no respeta las advertencias, los riesgos y las recomendaciones, eso podría resultar en la MUERTE o en LESIONES GRAVES.

ÁREA DE TRABAJO

- a. Mantenga el área de trabajo limpia y bien iluminada. Los bancos

desordenados y las áreas oscuras aumentan el riesgo de choque eléctrico, incendio y lesiones personales.

- b. No haga funcionar la herramienta en entornos explosivos, como por ejemplo cuando haya polvo, líquidos o gases inflamables. La herramienta puede crear chispas y provocar la ignición de polvo o vapores.



- c. Mantenga alejados a los observadores, niños y visitantes mientras hace funcionar la herramienta. Las distracciones pueden dar como resultado la pérdida del control de la herramienta.

SEGURIDAD PERSONAL

- a. Manténgase alerta. Mire lo que está haciendo y use el sentido común cuando haga funcionar la herramienta. No use la herramienta si está cansado o bajo la influencia de drogas, alcohol o medicamentos. Un momento de desatención mientras hace funcionar la herramienta aumenta el riesgo de lesiones personales.
- b. Vístase adecuadamente. No use alhajas ni vestimenta suelta. Sujétese el cabello largo. Mantenga el cabello, vestimenta y guantes alejados de las piezas móviles. La vestimenta suelta, las alhajas o el cabello largo aumentan el riesgo de

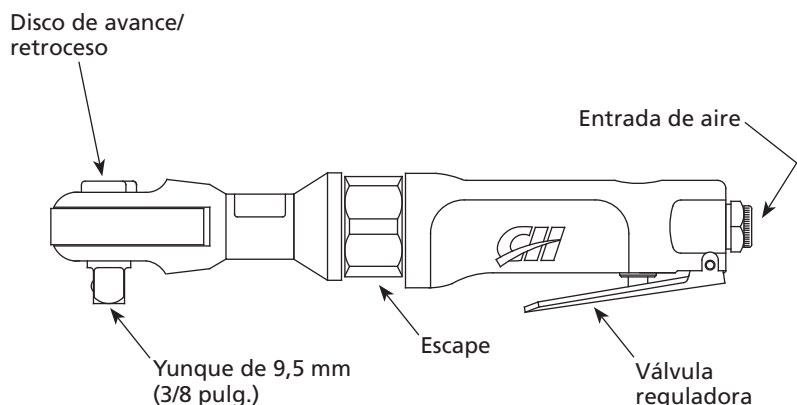
lesiones personales como resultado de quedar atrapados en las piezas móviles.

- c. Evite que se encienda accidentalmente. Asegúrese de que el interruptor esté en la posición de apagado antes de conectar el suministro de aire. No lleve la herramienta con su dedo sobre el interruptor ni conecte la herramienta al suministro de aire con el interruptor en la posición de encendido.
- d. Quite las llaves de ajuste o antes de encender la herramienta. Una conectada a una pieza giratoria de la herramienta puede provocar lesiones personales.
- e. No intente alcanzar lugares alejados. Mantenga un buen soporte y equilibrio en todo momento. Un soporte y equilibrio adecuados permiten un mejor control de la herramienta en situaciones inesperadas.
- f. Use equipo de seguridad. Se debe usar una mascarera para polvo, calzado de seguridad antideslizante y casco para las condiciones que se apliquen.
- g. Siempre use protección para los ojos.
- h. Use siempre una protección para el oído cuando use la herramienta. La exposición prolongada



Componentes y Especificaciones de la Herramienta

Consumo promedio de aire.....	70,8 l/min @ 6,2 bar
Presión de operación	6,2 bar
RPM (nominal)	140
Torsión Max.....	6,92 kg m
Torsión de trabajo....	1,38 - 6,22 kg m
Tipo de engranaje....	Triple planetario intermedio
Capacidad del perno.....	9,5 mm (3/8 pulg.)
Admisión de aire....	6,4 mm (1/4") NPT (Hembra)
Tamaño Min. de la manguera	9,5 mm (3/8 pulg.)
Portaherramientas	9,5 mm Sq (3/8 pulg. Sq)
Peso	1,13 kg



Instrucciones de Seguridad Importantes (Continúa)

a ruido de alta intensidad puede causar pérdida de audición.

- i. No ate la manguera ni la herramienta a su cuerpo. Adjunte la manguera a la estructura para reducir el riesgo de pérdida de equilibrio si la manguera se cambia de posición.

▲ PELIGRO *Siempre colóquese en una posición firme y balanceada para usar o manipular la herramienta.*

▲ PRECAUCION *Evite trabajar con esta herramienta por largos periodos. Deje de usar la herramienta si siente dolor en las manos o en los brazos.*

- j. Sostenga la herramienta por la superficie de sujeción aislada cuando realice una operación en la que la herramienta pueda entrar en contacto con un cableado oculto. Al entrar en contacto con un cable de corriente las piezas metálicas de la herramienta conducirán la electricidad y el usuario recibirá un choque eléctrico.
- k. Evite el contacto corporal con las superficies conectadas a tierra, tales como tuberías, radiadores, cocinas eléctricas o refrigeradores. Existe un mayor riesgo de choque eléctrico si su cuerpo está conectado a tierra.
- l. Examine la pieza de trabajo para evitar entrar en contacto con un cableado oculto. Revise bien la pieza de trabajo para verificar posibles cableados ocultos antes de realizar el trabajo. El contacto con un cable bajo tensión eléctrica causará que el usuario reciba un choque eléctrico.
- m. Nunca apunte una herramienta neumática hacia usted ni hacia otra persona. Pueden ocurrir lesiones graves.
- n. No acerque las manos a las piezas móviles ni las coloque debajo de ellas.

USO Y CUIDADO DE LA HERRAMIENTA

- a. Use sujetadores u otra manera práctica de asegurar y apoyar la pieza de trabajo a una plataforma estable. Sostener el trabajo con la mano o contra el cuerpo es algo inestable y puede producir la pérdida de control.

- b. No fuerce la herramienta. Use la herramienta correcta para la aplicación. La herramienta correcta hará el trabajo mejor y en forma más segura a la velocidad para la cual fue diseñada.

- c. No use la herramienta si el interruptor no la enciende o no la apaga. Cualquier herramienta que no pueda ser controlada con el interruptor es peligrosa y debe repararse.

- d. **▲ ADVERTENCIA** *Desconecte la herramienta del suministro de aire antes de hacer cualquier ajuste, realizar el mantenimiento de la herramienta, eliminar obstrucciones, dejar el área de trabajo, cargar o descargar la herramienta.* Estas medidas de precaución reducen el riesgo de lesiones personales.

- e. Cuando no esté en uso, guarde la herramienta fuera del alcance de los niños y otras personas no capacitadas. Una herramienta es peligrosa cuando está en manos de usuarios inexpertos.

- f. Cuide su herramienta. Mantenga una herramienta para cortar afilada y limpia. Una herramienta mantenida adecuadamente con bordes de corte afilados reduce el riesgo de atascarse y es más fácil de controlar.

- g. Verifique que las piezas móviles no estén desaliniadas ni adheridas, que no haya piezas rotas y que no exista ningún otro problema que afecten el funcionamiento de la herramienta. Si está dañada, haga que le realicen un servicio a la herramienta antes de usarla. Muchos accidentes son causados por herramientas que no tienen un mantenimiento adecuado. Si la herramienta sufre un daño, hay riesgo de explosión.

- h. Use únicamente los accesorios que están identificados por el fabricante para el modelo de herramienta específico. El uso de un accesorio no diseñado para usarse con el modelo de herramienta específico aumenta el riesgo de lesiones personales.

- i. Seleccionar un sistema de activación de la herramienta adecuado, tomando en cuenta la aplicación de trabajo para la cual se usa la herramienta.

▲ PELIGRO *Nunca limpie*

la herramienta con gasolina o ningún otro líquido inflamable. Nunca use la herramienta en la cercanías de líquidos o gases inflamables. Una chispa podría encender los vapores y ocasionar una explosión que podría ocasionarle la muerte o heridas graves.



▲ ADVERTENCIA *Libere toda la presión del sistema antes de intentar instalar, realizar un servicio, reubicar o realizar cualquier tipo de mantenimiento.*

▲ ADVERTENCIA *Desconecte siempre la herramienta de la fuente de energía cuando no la esté atendiendo, cuando le esté realizando mantenimiento o reparaciones, desobstruyéndola o moviéndola a un nuevo sitio.*

▲ ADVERTENCIA *Siempre ajuste la herramienta con un conector o acoplador de mangueras colocado en o cerca de la herramienta de un modo tal que se descargue todo el aire comprimido en la herramienta en el momento en que se desconecte el conector o acoplador. No use una válvula de chequeo o ninguna conexión que permita que el aire permanezca en la herramienta. Se puede producir la muerte o lesiones personales graves.*

▲ ADVERTENCIA *Nunca cargue la herramienta por la manguera de aire ni hale la manguera para mover la herramienta o el compresor de aire. Mantenga las mangueras alejadas del calor, aceite y objetos puntiagudos. Reemplace cualquier manguera que esté dañada, débil o desgastada. Ésto podría ocasionar heridas o daños a la herramienta.*

▲ ADVERTENCIA *No opere la herramienta ni permita que otros la operen si las etiquetas de advertencia están ilegibles. Éstas se encuentran en el cargador o el cuerpo de la herramienta.*



▲ ADVERTENCIA *No deje que la herramienta se caiga ni la tire. Ésto podría dañarla o convertirla en algo peligroso de usar. En caso de que la herramienta se haya caído o la hayan tirado, revísela con cuidado a ver si está doblada o rota, si tiene alguna pieza dañada o tiene fugas de aire. DEJE de trabajar y repárela antes de usarla o podría ocasionarle heridas graves.*

Instrucciones de seguridad importantes (Continúa)

⚠ PRECAUCION *No exceda la presión de funcionamiento máxima de la herramienta neumática (90 PSI). Esto puede reducir la vida útil de la herramienta.*

- j. No exceda ninguna clasificación de presión en ningún componente de sistema. La presión máxima de funcionamiento de 90 PSI se mide en la entrada de la herramienta mientras la misma está en funcionamiento. La caída de presión entre el compresor y la herramienta debe ser compensada en el compresor.
- k. No oprima el gatillo cuando conecte la manguera de suministro de aire.
- l. Nunca accione la herramienta si no está aplicada a un objeto de trabajo. Los accesorios deben colocarse en forma segura. Los accesorios sueltos pueden causar lesiones graves.

AVISO *Limpie y chequee todas las mangueras de suministro de aire y conexiones antes de conectar la herramienta al compresor. Reemplace las mangueras y conexiones que estén dañadas o desgastadas. El rendimiento de la herramienta o su durabilidad podrían reducirse.*

SERVICIO

- a. El servicio de la herramienta debe ser realizado sólo por personal de reparaciones calificado.
- b. Al realizarle un servicio a la herramienta, utilice únicamente piezas de repuesto idénticas. Use sólo piezas autorizadas.
- c. Use sólo los lubricantes que el fabricante proporciona con la herramienta.

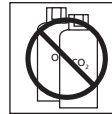
⚠ PRECAUCION *No haga ninguna modificación a la herramienta sin obtener primero la*

aprobación por escrito de Campbell Hausfeld. No use la herramienta si le faltan alguna de las tapas protectoras o si éstas han sido modificadas. No use la herramienta como un martillo. Se pueden producir lesiones personales o daños a la herramienta.

SUMINISTRO DE AIRE

- a. Nunca conecte a un suministro de aire capaz de exceder las 13,79 bar. Someter la herramienta a presión excesiva puede resultar en una explosión, funcionamiento anormal, daños a la herramienta o graves lesiones personales. Use sólo aire comprimido limpio, seco y regulado a la presión de funcionamiento o dentro del rango de presiones indicado en la herramienta. Antes de usar la herramienta, verifique siempre que el suministro de aire haya sido regulado a la presión de funcionamiento o esté dentro del rango de presiones indicadas.
- b. No use nunca oxígeno, dióxido de carbono, gases combustibles o ningún gas en botellas como suministro de aire para la herramienta. Tales gases pueden explotar y causar graves lesiones personales.

⚠ PELIGRO *No use ningún tipo de gas reactivo, incluyendo, pero no limitado a, oxígeno y gases combustibles, como fuente de energía. Use sólo aire comprimido filtrado, lubricado y regulado. El uso de un gas reactivo en vez de aire comprimido puede provocar que la herramienta explote, lo cual puede ocasionar la muerte o graves lesiones personales.*



⚠ PELIGRO *Use solamente una fuente de aire comprimido de presión regulada para limitar la presión de aire*



suministrada a la herramienta. La presión regulada no debe exceder los 6,21 bar. Si el regulador falla, la presión transmitida a la herramienta no debe exceder los 13,79 bar. La herramienta puede explotar, lo cual puede ocasionar la muerte o graves lesiones personales.

GUARDE ESTAS INSTRUCCIONES – NO LAS DESECHE

INSTRUCCIONES DE FUNCIONAMIENTO

LUBRICACIÓN

El propietario es el responsable de una lubricación adecuada. Si no lubrica en forma adecuada la herramienta neumática, acortará dramáticamente la vida útil de la misma y anulará la garantía.

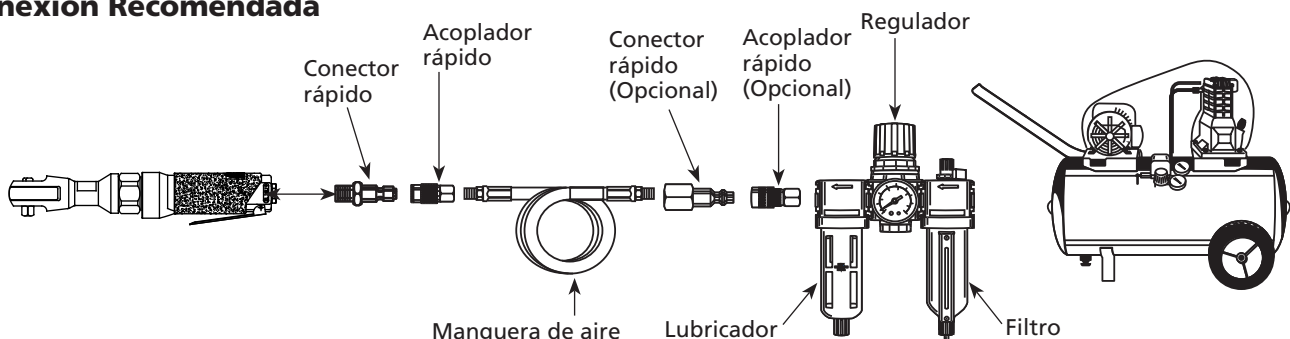
⚠ PRECAUCION *Esta herramienta neumática requiere lubricación antes del uso inicial y antes y después de cada uso adicional.*

Las herramientas neumáticas requieren lubricación durante toda la vida útil de la herramienta. Se recomienda usar aceite para herramientas neumáticas ya que este aceite limpia, lubrica e inhibe el óxido todo en un solo paso. Utilice para la pistola de aire el aceite ST127001AV o su equivalente, el aceite grado ISO 32.

⚠ ADVERTENCIA *Después de que se lubrica una herramienta neumática, el aceite se descarga a través del puerto de salida durante los primeros segundos de funcionamiento. Por esto, el puerto de salida debe cubrirse con una toalla antes de aplicar la presión de aire. El no cubrir el puerto de salida podría provocar una lesión grave.*

1. Desconecte la herramienta del suministro de aire.
2. Invierta la herramienta.

Conexión Recomendada



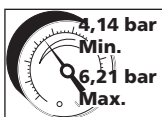
INSTRUCCIONES DE FUNCIONAMIENTO (Continúa)

- Mientras presiona el gatillo, aplique de 5 a 10 gotas de aceite en la entrada de aire.
- Conecte la herramienta neumática al suministro de aire y cubra el puerto de salida con una toalla. Haga funcionar la herramienta neumática durante 7 a 10 segundos. Se descargará aceite por el puerto de salida cuando se aplique presión de aire.

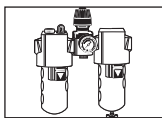
CONEXION RECOMENDADA

La ilustración de abajo le muestra la conexión recomendada para la herramienta.

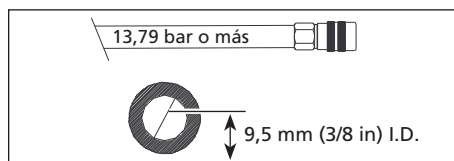
- El compresor de aire debe tener la capacidad de suministrar un mínimo de 4,14 bar cuando la herramienta esté en uso. Si el suministro de aire es inadecuado podría haber pérdida de potencia y falta de consistencia en el funcionamiento.



- Puede utilizar un lubricador para lubricar la herramienta. Igualmente, puede utilizar un filtro para remover las impurezas líquidas y sólidas que podrían oxidar u obstruir las partes internas de la herramienta.



- Use siempre mangueras de suministro de aire, con una presión mínima de funcionamiento con clasificación igual o mayor que la presión de la fuente de energía si falla un regulador, o 13,79 bar, lo que sea mayor. Use mangueras de aire de 6,4 mm (1/4 pulg.) para distancias de hasta 15 m (50 pies). Use mangueras de aire de 0,95 mm (3/8 pulg.) para distancias de 15 m (50 pies) ó más.



- Use un regulador de presión (de 0 bar - 8,62 bar) en el compresor. Se necesita un regulador de presión para controlar la presión de operación de la herramienta entre 4,14 bar y 6,21 bar.

MODO DE OPERACIÓN

Para quitar las tuercas, gire el disco de avance/retroceso hacia la derecha. Para colocar las tuercas, gire el disco de avance/retroceso hacia la izquierda. Invierta el procedimiento si las roscas están hacia la izquierda. No ajuste de más las tuercas.

⚠ ADVERTENCIA *Cuando ajuste las tuercas o pernos no aplique una torsión con el trinquete tal como lo haría con una llave manual. Esto puede dañar la herramienta rompiendo piezas en el mecanismo del trinquete.*

⚠ ADVERTENCIA *El uso de una manguera flexible previene el accionado accidental de la herramienta cuando se conecta el aire presurizado al sistema.*

Además, la vibración de la herramienta desgasta en forma prematura los acoples rápidos.

El uso de conexiones o mangueras de aire que sean demasiado pequeñas puede crear una caída de presión y reducir la potencia de la herramienta.

Se recomienda una conexión de 9,5 mm (3/8 pulg.) de diámetro interno con roscas NPT de 6,4 mm (1/4 pulg.). La mayoría de los compresores se envían con una manguera corta de 6,4 mm (1/4 pulg.) de diámetro interno. Para un rendimiento adecuado y una mayor conveniencia utilice una manguera de 9,5 mm (3/8 pulg.) de diámetro interno. Las mangueras de más de 15,24 m (50 pies) deben tener un diámetro interno de 12,7 mm (1/2 pulg.).

NOTA: No se recomienda instalar un acople rápido entre la herramienta neumática y la manguera (flexible) principal.

⚠ ADVERTENCIA *Nunca transporte sosteniéndola por la manguera ni tire de la manguera para mover la herramienta o un compresor. Mantenga las mangueras alejadas del calor, aceite y bordes filosos. Cambie las mangueras que estén dañadas, debilitadas o desgastadas.*

INSTRUCCIONES DE USO Y MANTENIMIENTO

ASISTENCIA TÉCNICA

Para obtener información sobre el funcionamiento o reparación de este producto, visite www.campbellhausfeld.com

PARA REPARAR LA HERRAMIENTA

La herramienta deberá ser reparada únicamente por personal calificado, y deberán usar piezas de repuesto y accesorios originales Campbell Hausfeld, o piezas y accesorios que funcionen de manera equivalente.

PARA COLOCARLE LOS SELLOS

Cada vez que repare una herramienta deberá limpiarle y lubricarle las partes internas. Le recomendamos que use Parker O-lube o un lubricante equivalente en todos los anillos en O. A cada anillo en O se le debe dar un baño de lubricante para anillos antes de instalarlos. Igualmente, deberá ponerle un poco de aceite a todas las piezas que se mueven y muñones. Finalmente, después de haberla ensamblado y antes de probar la herramienta deberá ponerle unas cuantas gotas de aceite sin detergente 30W u otro aceite similar, en las líneas de aire.

ALMACENAJE

La herramienta neumática se debe lubricar antes de guardar. Siga las instrucciones de lubricación de la herramienta neumática a excepción del paso 4. Haga funcionar la herramienta neumática solo durante 2 a 3 segundos en lugar de hacerlo de 7 a 10 ya que tiene que quedar más aceite en la herramienta neumática cuando se la guarda.

Guía de Diagnóstico de Averías

⚠ ADVERTENCIA *Deje de usar la grapadora inmediatamente si alguno de los siguientes problemas ocurre. Podría ocasionarle heridas graves. Cualquier reparación o reemplazo de piezas los debe hacer un técnico calificado personal de un centro autorizado de servicio.*

Problema	Causa	Solución
La herramienta funciona lentamente o no funciona.	1. Granos o goma en la herramienta.	1. Enjuague la herramienta con aceite para herramientas neumáticas, solvente de goma, o una mezcla de partes iguales de aceite para motor SAE 10 y querosén. Si no se utiliza aceite para herramientas neumáticas, lubrique la herramienta después de limpiarla.
	2. No hay aceite en la herramienta.	2. Lubrique la herramienta de acuerdo a las instrucciones de lubricación de este manual.
	3. Baja presión de aire.	3a. Ajuste el regulador de la herramienta al valor máximo (si es pertinente). 3b. Ajuste el regulador del compresor al valor máximo de la herramienta mientras se deja funcionar libremente la herramienta.
	4. La manguera de aire tiene fugas.	4. Ajuste y selle las conexiones de la manguera si se encuentran fugas.
	5. Caídas de presión.	5a. Asegúrese de que la manguera sea del tamaño adecuado. Las mangueras largas o las herramientas que utilizan grandes volúmenes de aire pueden requerir una manguera con un diámetro interno de 12,7 mm (1/2 pulg.) o mayor dependiendo del largo total de la manguera. 5b. No utilice varias mangueras conectadas entre sí con conexiones de conexión rápida. Esto provoca caídas de presión adicionales y reduce la potencia de la herramienta. Conecte las mangueras entre sí directamente.
	6. Paleta del rotor del motor desgastada.	6. Cambie la paleta del rotor.
	7. Rodamiento de bolas del motor desgastado.	7. Retire e inspeccione el rodamiento para detectar óxido, suciedad y arenilla o desgaste en el canal. Reemplace o limpie y vuelva a engrasar el rodamiento con grasa para rodamientos.
Sale humedad de la herramienta.	1. Agua en el tanque.	1. Drene el tanque. Aceite la herramienta y hágala funcionar hasta que no se detecte agua. Vuelva a aceitar la herramienta y hágala funcionar durante 1 a 2 segundos.
	2. Agua en las líneas/mangueras de aire.	2a. Instale un separador/filtro de agua (PA2121). NOTA: Los separadores funcionan adecuadamente solo cuando el aire que pasa a través del separador es aire frío. Ubique el separador/filtro lo más lejos posible del compresor. 2b. Instale un secador de aire. 2c. Cada vez que ingrese agua a la herramienta, la misma se debe aceitar de inmediato.
El mecanismo de trinquete se resbala o no afloja las tuercas.	1. El mecanismo de trinquete está sucio.	1. Limpie el mecanismo con aceite para herramientas neumáticas.

Garantía Limitada

1. DURACION: A partir de la fecha de compra por el comprador original tal como se especifica a continuación: Un año.
2. QUIEN OTORGA ESTA GARANTIA (EL GARANTE: Campbell Hausfeld a Marmon/Berkshire Hathaway Company, 350 Embry Drive, Leitchfield, KY, 42754. Visítenos www.campbellhausfeld.com
3. QUIEN RECIBE ESTA GARANTIA (EL COMPRADOR): El comprador original (que no sea un revendedor) del producto Campbell Hausfeld.
4. PRODUCTOS CUBIERTOS POR ESTA GARANTIA: Esta herramienta neumática Campbell Hausfeld.
5. COBERTURA DE LA GARANTIA: Defectos importantes en el material y la mano de obra que ocurran durante la duración del período de garantía con las excepciones que se mencionan a continuación.
6. LO QUE NO ESTA CUBIERTO POR ESTA GARANTIA:
 - A. Las garantías implícitas, incluyendo aquellas de comercialidad E IDONEIDAD PARA FINES PARTICULARES, ESTAN LIMITADOS A LO ESPECIFICADO EN EL PARRAFO DE DURACION. Si este producto es empleado para uso comercial, industrial o para renta, la garantía será aplicable por noventa (90) días a partir de la fecha de compra. En algunos estados no se permiten limitaciones a la duración de las garantías implícitas, por lo tanto, en tales casos esta limitación no es aplicable.
 - B. CUALQUIER PERDIDA DAÑO INCIDENTAL, INDIRECTO O CONSECUENTE QUE PUEDA RESULTAR DE UN DEFECTO, FALLA O MALFUNCIONAMIENTO DEL PRODUCTO CAMPBELL HAUSFELD. En algunos estados no se permite la exclusión o limitación de daños incidentales o consecuentes, por lo tanto, en tales casos esta limitación o exclusión no es aplicable
 - C. Cualquier falla que resulte de un accidente, abuso, negligencia o incumplimiento de las instrucciones de funcionamiento y uso indicadas en el (los) manual(es) que se adjunta(n) al producto. Dichos accidentes, abusos por parte del comprador, o falta de operar el producto siguiendo las instrucciones del manual de instrucciones suministrado también debe incluir la desconexión o modificación de los instrumentos de seguridad. Si dichos instrumentos de seguridad son desconectados, la garantía quedaría cancelada.
 - D. Los ajustes normales explicados en el(los) manual(es) suministrado(s) con el producto.
 - E. Los artículos o servicios que son necesarios normalmente para mantener el producto, p. ej. anillos en O, resortes, juntas, empaquetaduras o sellos, lubricantes, paletas del motor, mecanismos de impacto o cualquier otra pieza fungible no mencionada específicamente. Estos artículos solamente estarán cubiertos durante noventa (90) días a partir de la fecha de compra original. Los artículos subrayados están garantizados por defectos en el material y la mano de obra únicamente.
7. RESPONSABILIDADES DEL GARANTE BAJO ESTA GARANTIA: Según elija el Garante, la reparación o el reemplazo del producto o los componentes que estén defectuosos, que hayan funcionado en forma inadecuada y/o que no hayan cumplido con su función dentro de la duración del período específico de la garantía.
8. RESPONSABILIDADES DEL COMPRADOR BAJO ESTA GARANTIA:
 - A. Suministrar prueba fechada de compra y la historia de mantenimiento del producto.
 - B. Visite www.campbellhausfeld.com para ver sus opciones de servicio de garantía. Los costos de flete correrán por cuenta del comprador.
 - C. Seguir las instrucciones sobre operación y mantenimiento del producto, tal como se indica(n) en el (los) manual(es) del propietario
9. CUANDO EFECTUARA EL GARANTE LA REPARACION O REEMPLAZO CUBIERTO BAJO ESTA GARANTIA: La reparación o reemplazo dependerá del flujo normal de trabajo del centro de servicio y de la disponibilidad de repuestos.

Esta garantía limitada es válida sólo en los EE.UU., Canadá y México y otorga derechos legales específicos. Usted también puede tener otros derechos que varían de un Estado a otro. o de un país a otro.