

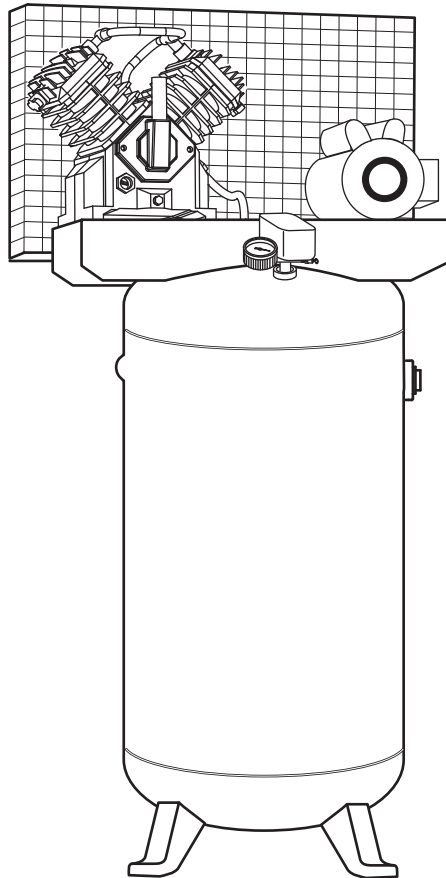
Please read and save these instructions. Read carefully before attempting to assemble, install, operate or maintain the product described. Protect yourself and others by observing all safety information. Failure to comply with instructions could result in personal injury and/or property damage! Retain instructions for future reference.

# Speedaire® Air Compressor

Refer to Form 555996 for General Operating and Safety Instructions

For Warranty & Service call 1-888-606-5587

Do Not Return To Branch



## Specifications

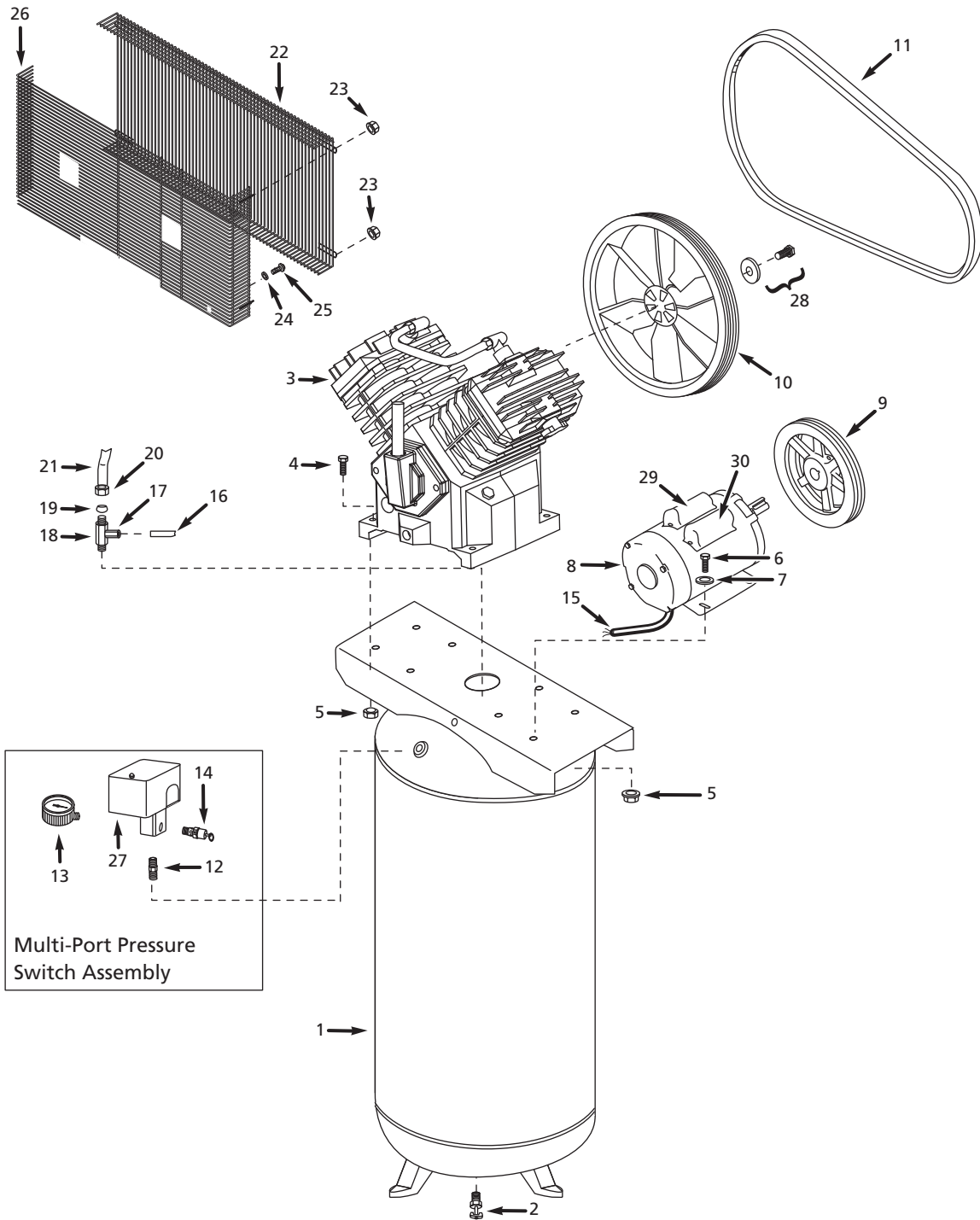
| Model  | Running HP | Free Air CFM |           | Volts, Phase                | Amp Draw        | Max. Duty Cycle | Oil Capacity |
|--------|------------|--------------|-----------|-----------------------------|-----------------|-----------------|--------------|
|        |            | @ 90 psi     | @ 140 psi |                             |                 |                 |              |
| 4ME97A | 5          | 16.0         | 14.2      | 230V,<br>1 phase            | 21.0            | 80/20           | 45 oz.       |
| 4ME98A | 5          | 16.0         | 14.2      | 208 - 230V/460V,<br>3 phase | 13.4 - 13.2/6.6 | 80/20           | 45 oz.       |

| Model  | Tank Capacity (Gal.) | Max. Working Pressure | Tank Outlet (female) | Dimensions (inches) |    |    |
|--------|----------------------|-----------------------|----------------------|---------------------|----|----|
|        |                      |                       |                      | L                   | W  | H  |
| 4ME97A | 60                   | 140 psi               | 3/4 inch NPT         | 23                  | 31 | 71 |
| 4ME98A | 60                   | 140 psi               | 3/4 inch NPT         | 23                  | 31 | 71 |

**For Repair Parts, call 1-800-323-0620**

**24 hours a day – 365 days a year**

**E  
N  
G  
L  
I  
S  
H**



**Figure 1 – Repair parts illustration for Models 4ME97A and 4ME98A**

# Repair Parts List

Please provide following information:

- Model number
- Serial number (if any)
- Part description and number as shown in parts list

| Reference Number | Description                               | Part Number for Models |            | Quantity |
|------------------|---|------------------------|------------|----------|
|                  |   | 4ME97A                 | 4ME98A     |          |
| 1                | Air tank                                  | AR040000CG             | AR040000CG | 1        |
| 2                | Drain cock                                | D-1403                 | D-1403     | 1        |
| 3                | Air compressor pump with flywheel         | TQ300000AV             | TQ300000AV | 1        |
| 4                | 5/16 inch - 18 x 1-1/2 inch Hex head bolt | *                      | *          | 4        |
| 5                | 5/16 inch - 18 Locknut                    | *                      | *          | 8        |
| 6                | 5/16 inch - 18 x 3/4 inch Hex head bolt   | ST016000AV             | ST016000AV | 4        |
| 7                | 5/16 inch Washer                          | ST011200AV             | ST011200AV | 4        |
| 8                | Electric motor                            | MC019300AV             | MC024800AV | 1        |
| 9                | Motor pulley                              | PU017000AV             | PU009796AV | 1        |
| 10               | Flywheel                                  | PU017100AV             | PU017100AV | 1        |
| 11               | Belt                                      | BT013100AV             | BT013100AV | 1        |
| 12               | Pipe nipple                               | HF002401AV             | HF002401AV | 1        |
| 13               | Pressure gauge                            | GA031900AV             | GA031900AV | 1        |
| 14               | Safety valve                              | V-215105AV             | V-215105AV | 1        |
| 15               | Electric cord                             | EC014800AV             | EC010000AV | 1        |
| 16               | PTFE tubing                               | ST117802AV             | ST117802AV | 1        |
| 17               | Straight push connect                     | ST081301AV             | ST081301AV | 1        |
| 18               | Check valve                               | CV223300AV             | CV223300AV | 1        |
| 19               | 1/2 inch Compression sleeve               | ST032900AV             | ST032900AV | 1        |
| 20               | 1/2 inch Compression nut                  | ST033001AV             | ST033001AV | 1        |
| 21               | Discharge tube                            | TQ901600AP             | TQ901600AP | 1        |
| 22               | Front beltguard                           | BG217002AV             | BG217002AV | 1        |
| 23               | 10-24 Hex-flange nut                      | ST116201AV             | ST116201AV | 5        |
| 24               | 5/16 inch Washer                          | ST011200AV             | ST011200AV | 2        |
| 25               | 5/16 inch Self-tapping screw              | ST016500AV             | ST016500AV | 4        |
| 26               | Back beltguard                            | BG021701AV             | BG021701AV | 1        |
| 27               | Pressure switch (with unloader valve)     | CW212201AV             | CW212201AV | 1        |
| 27a              | △ Pressure switch unloader valve          | CW210001AV             | CW210001AV | 1        |
| 27b              | △ Pressure switch cover                   | CW217800AV             | CW217800AV | 1        |
| 28               | Flywheel Fastener Kit                     | TQ901400AV             | TQ901400AV | 1        |
| 29               | Capacitor - Start                         | MC507018AV             | --         | 1        |
| 30               | Capacitor - Run                           | MC506910AV             | --         | 1        |
| 31               | △ Warning decal                           | DK747600AV             | DK747600AV | 1        |

△ Not shown

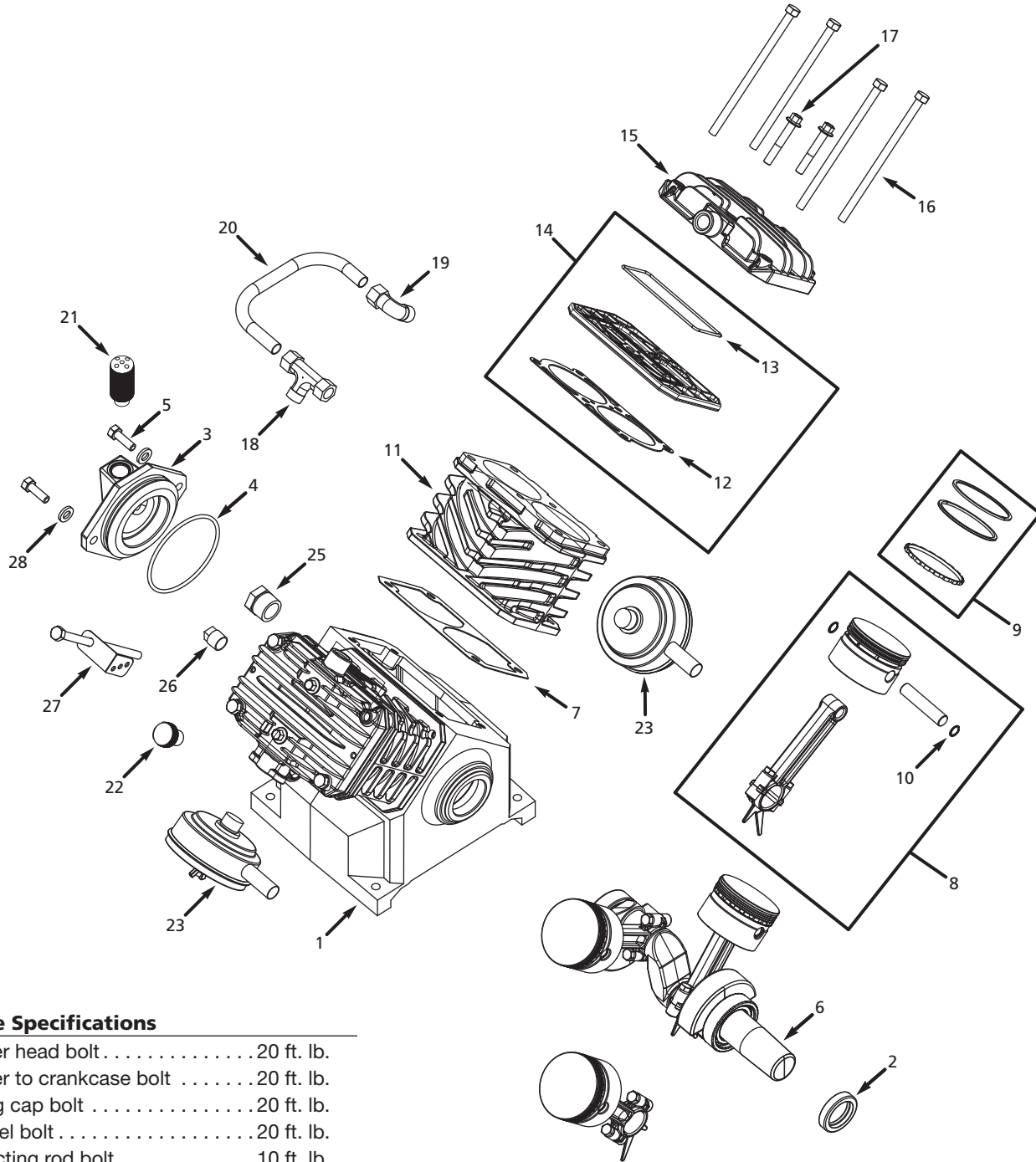
\* Standard hardware item

-- Not available

**For Repair Parts, call 1-800-323-0620**

**24 hours a day – 365 days a year**

**E  
N  
G  
L  
I  
S  
H**



**Torque Specifications**

|                                      |            |
|--------------------------------------|------------|
| Cylinder head bolt . . . . .         | 20 ft. lb. |
| Cylinder to crankcase bolt . . . . . | 20 ft. lb. |
| Bearing cap bolt . . . . .           | 20 ft. lb. |
| Flywheel bolt . . . . .              | 20 ft. lb. |
| Connecting rod bolt. . . . .         | 10 ft. lb. |

**Figure 2 – Repair parts illustration for pump**

# Repair Parts List

Please provide following information:

- Model number
- Serial number (if any)
- Part description and number as shown in parts list

| Ref. No. | Description  | Part No.     | Qty. | Ref. No.                 | Description                                  | Part No.   | Qty. |
|----------|--|--------------|------|--------------------------|--|------------|------|
| 1        | Crankcase  | TQ010001AV   | 1    | 21                       | Breather                                     | VH901100AV | 1    |
| 2        | Oil Seal   | ST120000AV   | 1    | 22                       | Oil Fill Plug                                | VH900800AV | 1    |
| 3        | Bearing Cap  | TQ010201AV   | 1    | 23                       | Air Filter with Element                      | VH901700AV | 2    |
| 4        | O-Ring   | ●            | 1    | 24 △                     | Air Filter Element only                      | VH901800AV | 2    |
| 5        | Hex Head Cap Screw<br>M8 x 25 mm                         | ST076808AV   | 2    | 25                       | Sight Glass                                  | VH901000AV | 1    |
| 6        | Crankshaft Bearing<br>Assembly (Pistons not<br>included) | TQ900201AJ   | 1    | 26                       | Pipe Plug 1/4 inch NPT                       | ST072915AV | 1    |
| 7        | Crankcase Gasket   | ●            | 2    | 27                       | Belt Guard Bracket                           | TQ012000AV | 1    |
| 8        | Connecting Rod<br>Assembly                               | ■            | 4    | 28                       | Brass Washer                                 | ST070925AV | 2    |
| 9        | Piston Ring Sets (Two sets)                              | VT911200AV ■ | 2    | <b>REPAIR PARTS KITS</b> |  |            |      |
| 10       | Internal Retaining Ring                                  | ■            | 8    | ▲                        | Cylinder Head and<br>Fasteners Kit           | TQ900800AJ |      |
| 11       | Cylinder   | VT040915AV   | 2    | ■                        | Connecting Rod / Piston<br>Ring Assembly Kit | TQ901500AV |      |
| 12       | Cylinder Gasket  | ●            | 2    | ●                        | Gasket Kit                                   | TQ901001AJ |      |
| 13       | Molded O-Ring  | ●            | 2    | △                        | Not Shown                                    |            |      |
| 14       | Valve Plate Kit  | VT470800AJ   | 2    |                          |  |            |      |
| 15       | Cylinder Head  | ▲            | 2    |                          |  |            |      |
| 16       | Hex Head Capscrew<br>M8 x 150 mm                         | ▲            | 8    |                          |  |            |      |
| 17       | Flange Head Screw  | ▲            | 4    |                          |  |            |      |
| 18       | Exhaust Tee Fitting                                      | TQ901100AV   | 1    |                          |  |            |      |
| 19       | Exhaust Elbow Fitting                                    | TQ901200AV   | 1    |                          |  |            |      |
| 20       | Exhaust Tube   | TQ901300AV   | 1    |                          |  |            |      |

# Speedaire® Air Compressor

## LIMITED WARRANTY

**DAYTON ONE-YEAR LIMITED WARRANTY.** SPEEDAIRE® AIR COMPRESSOR, MODELS COVERED IN THIS MANUAL, ARE WARRANTED BY DAYTON ELECTRIC MFG. CO. (DAYTON) TO THE ORIGINAL USER AGAINST DEFECTS IN WORKMANSHIP OR MATERIALS UNDER NORMAL USE FOR ONE YEAR AFTER DATE OF PURCHASE. ANY PART WHICH IS DETERMINED TO BE DEFECTIVE IN MATERIAL OR WORKMANSHIP AND RETURNED TO AN AUTHORIZED SERVICE LOCATION, AS DAYTON DESIGNATES, SHIPPING COSTS PREPAID, WILL BE, AS THE EXCLUSIVE REMEDY, REPAIRED OR REPLACED AT DAYTON'S OPTION. FOR LIMITED WARRANTY CLAIM PROCEDURES, SEE "PROMPT DISPOSITION" BELOW. THIS LIMITED WARRANTY GIVES PURCHASERS SPECIFIC LEGAL RIGHTS WHICH VARY FROM JURISDICTION TO JURISDICTION.

**LIMITATION OF LIABILITY.** TO THE EXTENT ALLOWABLE UNDER APPLICABLE LAW, DAYTON'S LIABILITY FOR CONSEQUENTIAL AND INCIDENTAL DAMAGES IS EXPRESSLY DISCLAIMED. DAYTON'S LIABILITY IN ALL EVENTS IS LIMITED TO AND SHALL NOT EXCEED THE PURCHASE PRICE PAID.

**WARRANTY DISCLAIMER.** A DILIGENT EFFORT HAS BEEN MADE TO PROVIDE PRODUCT INFORMATION AND ILLUSTRATE THE PRODUCTS IN THIS LITERATURE ACCURATELY; HOWEVER, SUCH INFORMATION AND ILLUSTRATIONS ARE FOR THE SOLE PURPOSE OF IDENTIFICATION, AND DO NOT EXPRESS OR IMPLY A WARRANTY THAT THE PRODUCTS ARE MERCHANTABLE, OR FIT FOR A PARTICULAR PURPOSE, OR THAT THE PRODUCTS WILL NECESSARILY CONFORM TO THE ILLUSTRATIONS OR DESCRIPTIONS. EXCEPT AS PROVIDED BELOW, NO WARRANTY OR AFFIRMATION OF FACT, EXPRESSED OR IMPLIED, OTHER THAN AS STATED IN THE "LIMITED WARRANTY" ABOVE IS MADE OR AUTHORIZED BY DAYTON.

**Technical Advice and Recommendations, Disclaimer.** Notwithstanding any past practice or dealings or trade custom, sales shall not include the furnishing of technical advice or assistance or system design. Dayton assumes no obligations or liability on account of any unauthorized recommendations, opinions or advice as to the choice, installation or use of products.

**Product Suitability.** Many jurisdictions have codes and regulations governing sales, construction, installation, and/or use of products for certain purposes, which may vary from those in neighboring areas. While attempts are made to assure that Dayton products comply with such codes, Dayton cannot guarantee compliance, and cannot be responsible for how the product is installed or used. Before purchase and use of a product, review the product applications, and all applicable national and local codes and regulations, and be sure that the product, installation, and use will comply with them.

Certain aspects of disclaimers are not applicable to consumer products; e.g., (a) some jurisdictions do not allow the exclusion or limitation of incidental or consequential damages, so the above limitation or exclusion may not apply to you; (b) also, some jurisdictions do not allow a limitation on how long an implied warranty lasts, consequently the above limitation may not apply to you; and (c) by law, during the period of this Limited Warranty, any implied warranties of implied merchantability or fitness for a particular purpose applicable to consumer products purchased by consumers, may not be excluded or otherwise disclaimed.

**Prompt Disposition.** A good faith effort will be made for prompt correction or other adjustment with respect to any product which proves to be defective within limited warranty. For any product believed to be defective within limited warranty, first write or call dealer from whom the product was purchased. Dealer will give additional directions. If unable to resolve satisfactorily, write to Dayton at address below, giving dealer's name, address, date, and number of dealer's invoice, and describing the nature of the defect. Title and risk of loss pass to buyer on delivery to common carrier. If product was damaged in transit to you, file claim with carrier.

**Manufactured for Dayton Electric Mfg. Co., 5959 W. Howard St., Niles, Illinois 60714-4014 U.S.A.**

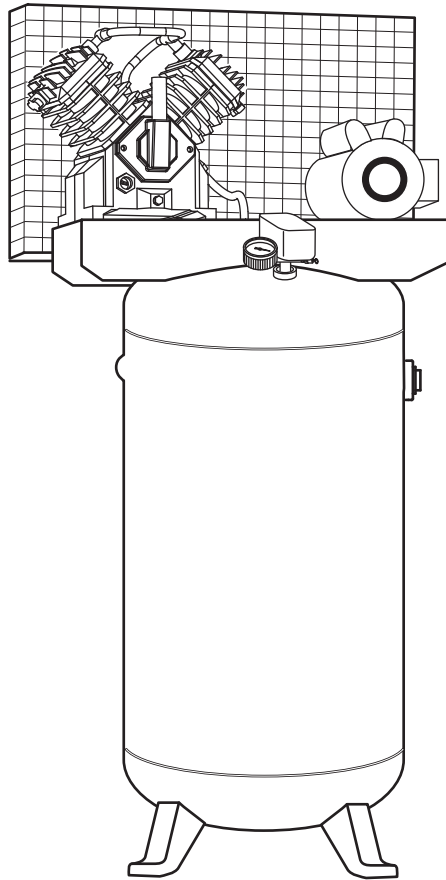
Por favor lea y guarde estas instrucciones. Léalas cuidadosamente antes de tratar de montar, instalar, operar o dar mantenimiento al producto aquí descrito. Protéjase usted mismo y a los demás observando toda la información de seguridad. ¡El no cumplir con las instrucciones puede ocasionar daños, tanto personales como a la propiedad! Guarde estas instrucciones para referencia en el futuro.

# Compresore de Aire Speedaire®

Veas las instrucciones generales de funcionamiento y seguridad en el manual 5S5996

Por garantía y servicio 1-888-606-5587

No devolver a la sucursal



E  
S  
P  
A  
Ñ  
O  
L

## Especificaciones

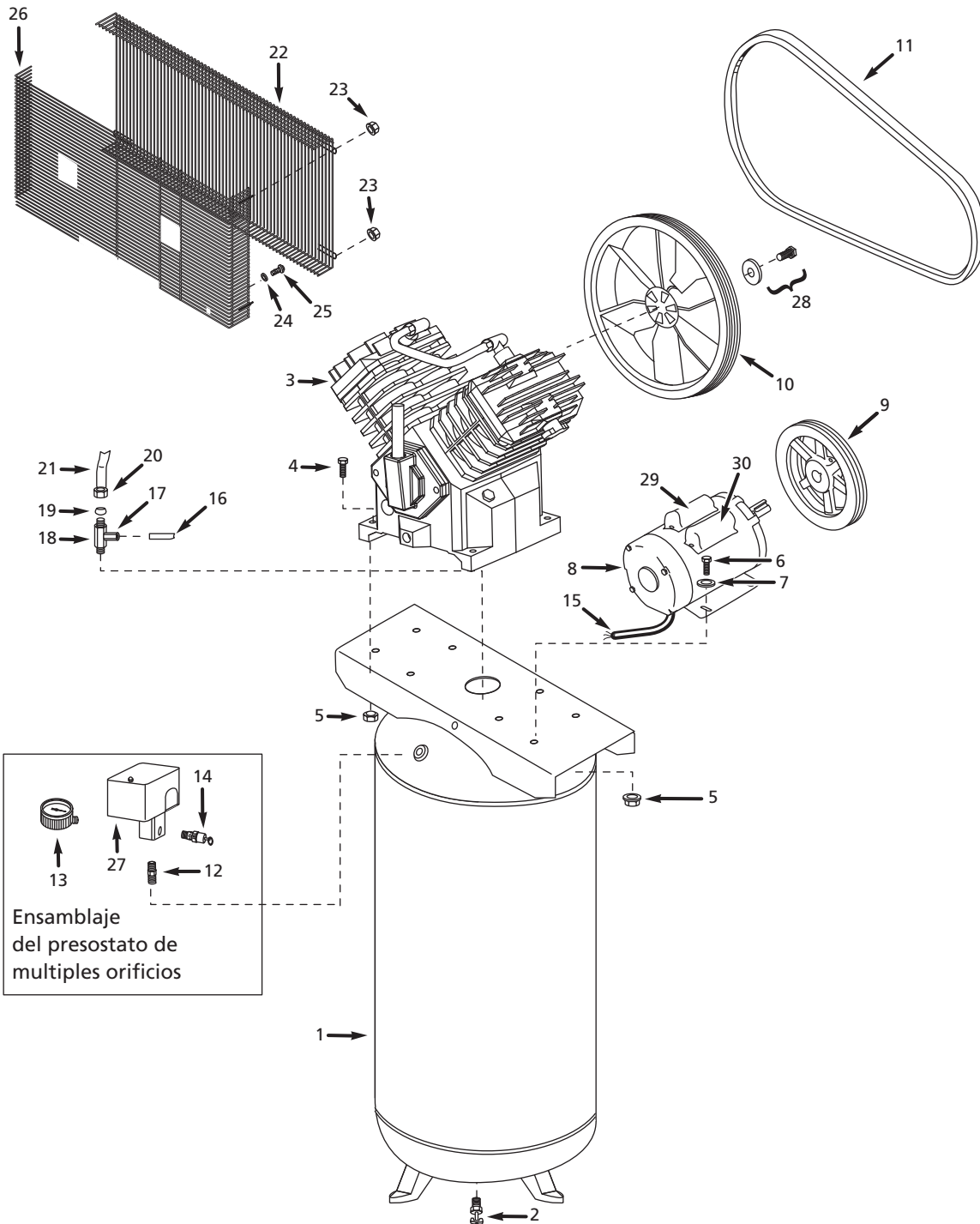
| Modelo | CP de servicio | Suministro de Aire<br>Libre m <sup>3</sup> /min |            | Voltios, Fase                 | Amperios<br>Requeridos | Ciclo Máx.<br>de Trabajo | Capacidad<br>de Acite |
|--------|----------------|---|------------|-------------------------------|------------------------|--------------------------|-----------------------|
|        |                | @ 6,21 bar                                      | @ 9,65 bar |                               |                        |                          |                       |
| 4ME97A | 5              | 0,45  | 0,40       | 230V,<br>1 fase               | 21,0                   | 80 / 20                  | 1,33 L                |
| 4ME98A | 5              | 0,45  | 0,40       | 208 - 230V / 460V,<br>3 fases | 13,4 - 13,2 / 6,6      | 80 / 20                  | 1,33 L                |

| Modelo | Tanque Cap. (Litros) | Presión Máx. de Trabajo | Salida del<br>Tanque (hembra) | Dimensiones (cm) |       |        |
|--------|----------------------|-------------------------|-------------------------------|------------------|-------|--------|
|        |                      |                         |                               | Long.            | Anch. | Alt.   |
| 4ME97A | 227,1                | 9,65 bar                | 19,1 mm NPT                   | 58,42            | 78,74 | 180,34 |
| 4ME98A | 227,1                | 9,65 bar                | 19,1 mm NPT                   | 58,42            | 78,74 | 180,34 |

**Para Obtener Partes de Reparación en México Llame al 001-800-527-2331  
en EE.UU. Llame al 1-800-323-0620**

**Servicio permanente – 24 horas al día al año**



E  
S  
P  
A  
Ñ  
O  
L

Figura 1 - Ilustración de las partes de reparación para Modelos 4ME97A and 4ME98A



# Lista de Partes de Reparación

Por favor proporciónenos la siguiente información:

- Número de modelo
- Número de serie (si lo tiene)
- Descripción de la parte y número que le corresponde en la lista de partes

| Número de Referencia | Descripción  | Para los modelos |            | Cantidad |
|----------------------|--|------------------|------------|----------|
|                      |  | 4ME97A           | 4ME98A     |          |
| 1                    | ATanque de aire  | AR040000CG       | AR040000CG | 1        |
| 2                    | Llave de drenaje   | D-1403           | D-1403     | 1        |
| 3                    | Bomba de compresor de aire con volante                         | TQ300000AV       | TQ300000AV | 1        |
| 4                    | Perno Hex de 7,9 mm (5/16 inch) -<br>18 x 3,81 cm (1-1/2 inch) | *                | *          | 4        |
| 5                    | Tuerca de seguridad de 7,9 mm (5/16 inch) -18                  | *                | *          | 8        |
| 6                    | Perno Hex de 7,9 mm (5/16 inch) -<br>18 x 19,1 mm (3/4 inch)   | ST016000AV       | ST016000AV | 4        |
| 7                    | Arandela de 7,9 mm (5/16 inch)                                 | ST011200AV       | ST011200AV | 4        |
| 8                    | Motor eléctrico  | MC019300AV       | MC024800AV | 1        |
| 9                    | Polea del motor  | PU017000AV       | PU009796AV | 1        |
| 10                   | Volante  | PU017100AV       | PU017100AV | 1        |
| 11                   | Banda  | BT013100AV       | BT013100AV | 1        |
| 12                   | Niple para tuberías  | HF002401AV       | HF002401AV | 1        |
| 13                   | Manómetro  | GA031900AV       | GA031900AV | 1        |
| 14                   | Válvula de seguridad   | V-215105AV       | V-215105AV | 1        |
| 15                   | Cordón eléctrico   | EC014800AV       | EC010000AV | 1        |
| 16                   | Tubería de politetrafluoroetileno (PTFE)                       | ST117802AV       | ST117802AV | 1        |
| 17                   | Empalme recto a presión  | ST081301AV       | ST081301AV | 1        |
| 18                   | Válvula de chequeo   | CV223300AV       | CV223300AV | 1        |
| 19                   | Manga de compresión de 12,7 mm (1/2 inch)                      | ST032900AV       | ST032900AV | 1        |
| 20                   | Tuerca de compresión de 12,7 mm (1/2 inch)                     | ST033001AV       | ST033001AV | 1        |
| 21                   | Tubería de salida  | TQ901600AP       | TQ901600AP | 1        |
| 22                   | Tapa de las bandas (frontal)                                   | BG217002AV       | BG217002AV | 1        |
| 23                   | Tuerca Hex 10-24   | ST116201AV       | ST116201AV | 5        |
| 24                   | Arandela de 7,9 mm (5/16 inch)                                 | ST011200AV       | ST011200AV | 2        |
| 25                   | Tornillo autoroscante de 7,9 mm (5/16 inch)                    | ST016500AV       | ST016500AV | 4        |
| 26                   | Tapa de las bandas (posterior)                                 | BG021701AV       | BG021701AV | 1        |
| 27                   | Interruptor de presión<br>(con válvula de descarga)            | CW212201AV       | CW212201AV | 1        |
| 27a                  | △ Válvula de descarga del interruptor de presión               | CW210001AV       | CW210001AV | 1        |
| 27b                  | △ Tapa del interruptor de presión                              | CW217800AV       | CW217800AV | 1        |
| 28                   | Juego de sujetador del volante                                 | TQ901400AV       | TQ901400AV | 1        |
| 29                   | Condensador - Encendido  | MC507018AV       | --         | 1        |
| 30                   | Condensador - Funcionamiento                                   | MC506910AV       | --         | 1        |
| 31                   | △ Etiqueta de advertencia                                      | DK747600AV       | DK747600AV | 1        |

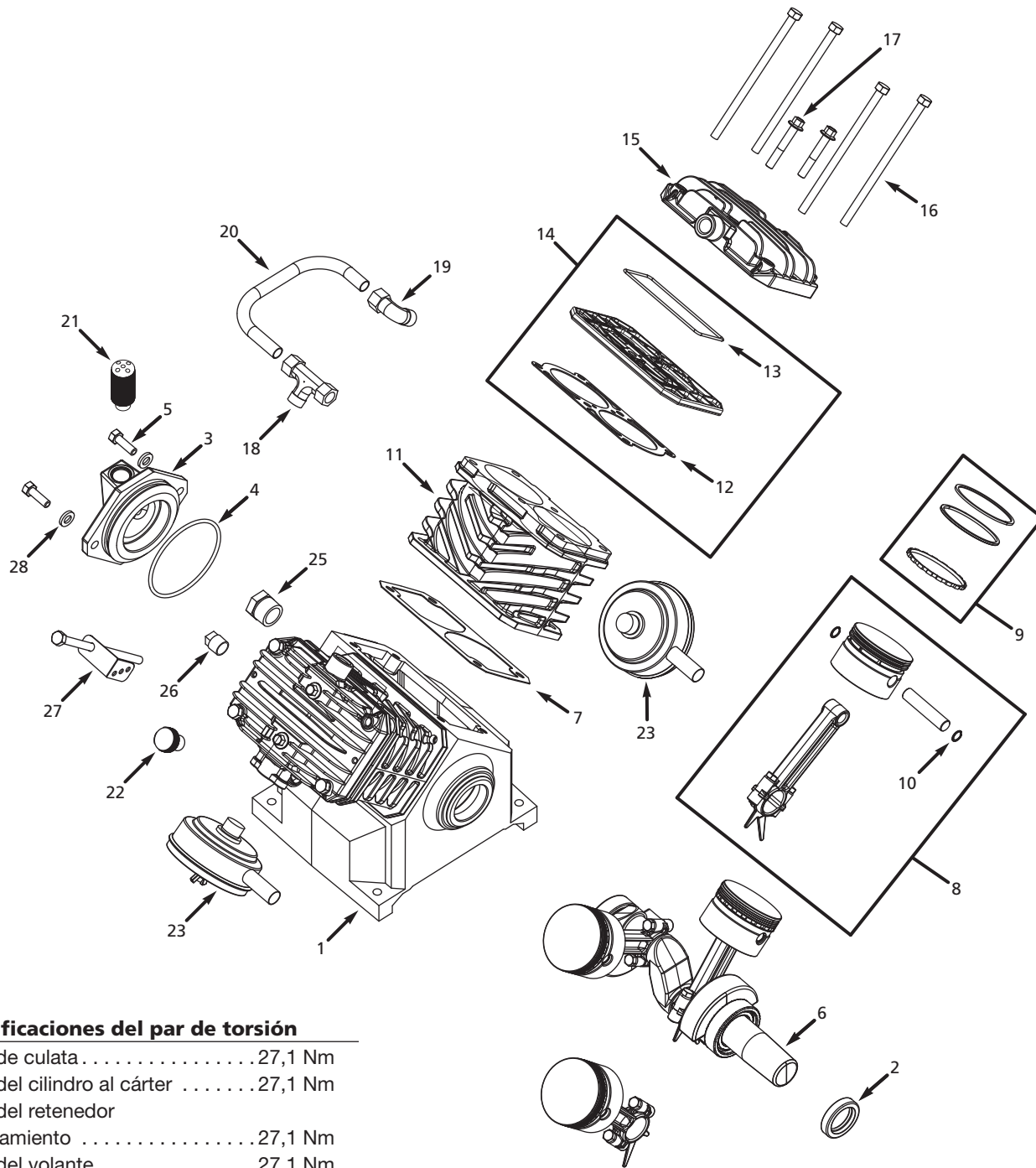
△ No se muestra

\* Artículo estándar de ferretería

-- Pas disponible

**Para Obtener Partes de Reparación en México Llame al 001-800-527-2331  
en EE.UU. Llame al 1-800-323-0620**

**Servicio permanente – 24 horas al día al año**



**Especificaciones del par de torsión**

|   |         |
|---|---------|
| Perno de culata . . . . .                       | 27,1 Nm |
| Perno del cilindro al cárter . . . . .          | 27,1 Nm |
| Perno del retenedor<br>del rodamiento . . . . . | 27,1 Nm |
| Perno del volante . . . . .                     | 27,1 Nm |
| Perno de la barra conectora . . . . .           | 13,6 Nm |

**Figura 2 – Ilustración de piezas para reparaciones por la bomba**

E  
S  
P  
A  
Ñ  
O  
L

# Lista de Partes de Reparación

Por favor proporciónenos la siguiente información:

- Número de modelo
- Número de serie (si lo tiene)
- Descripción de la parte y número que le corresponde en la lista de partes

| No. de Ref. | Descripción   | No. de Parte | Ctd. | No. de Ref.               | Descripción                                     | No. de Parte | Ctd. |
|-------------|---|--------------|------|---------------------------|---|--------------|------|
| 1           | Caja del cigüeñal   | TQ010001AV   | 1    | 21                        | Respiradero                                     | VH901100AV   | 1    |
| 2           | Sello del sistema de lubricación                                  | ST120000AV   | 1    | 22                        | Tapón del orificio de llenado de aceite         | VH900800AV   | 1    |
| 3           | Tapa de los cojinetes   | TQ010201AV   | 1    | 23                        | Filtro de aire con elemento                     | VH901700AV   | 2    |
| 4           | Anillo en O   | ●            | 1    | 24                        | △ Elemento del filtro de aire únicamente        | VH901800AV   | 2    |
| 5           | Tornillo de cabeza hexagonal M8 x 25 mm                           | ST076808AV   | 2    | 25                        | Ventanilla                                      | VH901000AV   | 1    |
| 6           | Ensamblaje del cojinete del cigüeñal (no se incluyen os pistones) | TQ900201AJ   | 1    | 26                        | Tapón de la tubería de 6,4 mm (1/4 pulg.) NPT   | ST072915AV   | 1    |
| 7           | Empaque de la caja del cigüeñal                                   | ●            | 2    | 27                        | Soporte de protector de correa                  | TQ012000AV   | 1    |
| 8           | Ensamblaje de la biela  | ■            | 4    | 28                        | Arandela de bronce                              | ST070925AV   | 2    |
| 9           | Juego de anillos del pistón (dos juegos)                          | VT911200AV ■ | 2    | <b>LISTA DE REPUESTOS</b> |   |              |      |
| 10          | Anillo de retención interno                                       | ■            | 8    | ▲                         | Culata del cilindro y kit de sujetadores        | TQ900800AJ   |      |
| 11          | Cilindro  | VT040915AV   | 2    | ■                         | Juego del ensamble de biela / anillo del pistón | TQ901500AV   |      |
| 12          | Junta del cilindro  | ●            | 2    | ●                         | Juego de empaques                               | TQ901001AJ   |      |
| 13          | Anillo en O moldeado de sección                                   | ●            | 2    | △                         | No se muestra                                   |              |      |
| 14          | Kit de placa de válvula   | VT470800AJ   | 2    |                           |   |              |      |
| 15          | Cabeça do cilindro  | ▲            | 2    |                           |   |              |      |
| 16          | Tornillo de cabeza hexagonal M8 x 150 mm                          | ▲            | 8    |                           |   |              |      |
| 17          | Tornillo de cabeza con pestaña                                    | ▲            | 4    |                           |   |              |      |
| 18          | Conexión en T de salida   | TQ901100AV   | 1    |                           |   |              |      |
| 19          | Conexión acodada de salida  | TQ901200AV   | 1    |                           |   |              |      |
| 20          | Tubo de escape  | TQ901300AV   | 1    |                           |   |              |      |

# Compresore de Aire Speedaire®

## GARANTIA LIMITADA

**GARANTIA LIMITADA DE DAYTON POR UN AÑO.** DAYTON ELECTRIC MFG. CO. (DAYTON) LE GARANTIZA AL USUARIO ORIGINAL QUE LOS MODELOS TRATADOS EN ESTE MANUAL [DEL/IDE LA/IDE LOS/IDE LAS] COMPRESORE DE AIRE SPEEDAIRE® ESTAN LIBRES DE DEFECTOS EN LA MANO DE OBRA O EL MATERIAL, CUANDO SE LES SOMETE A USO NORMAL, POR UN AÑO A PARTIR DE LA FECHA DE COMPRA. CUALQUIER PARTE QUE SE HALLE DEFECTUOSA, YA SEA EN EL MATERIAL O EN LA MANO DE OBRA, Y SEA DEVUELTA (CON LOS COSTOS DE ENVIO PAGADOS POR ADELANTADO) A UN CENTRO DE SERVICIO AUTORIZADO DESIGNADO POR DAYTON, SERA REPARADA O REEMPLAZADA (NO EXISTE OTRA POSIBILIDAD) SEGUN LO DETERMINE DAYTON. PARA OBTENER INFORMACION SOBRE LOS PROCEDIMIENTOS DE RECLAMO CUBIERTOS EN LA GARANTIA LIMITADA, VEA LA SECCION "ATENCION OPORTUNA" QUE APARECE MAS ADELANTE. ESTA GARANTIA LIMITADA CONFIERE AL COMPRADOR DERECHOS LEGALES ESPECIFICOS QUE VARIAN DE JURISDICCION A JURISDICCION.

**LIMITES DE RESPONSABILIDAD.** EN LA MEDIDA EN QUE LAS LEYES APLICABLES LO PERMITAN, LA RESPONSABILIDAD DE DAYTON POR LOS DAÑOS EMERGENTES O INCIDENTALES ESTA EXPRESAMENTE EXCLUIDA. LA RESPONSABILIDAD DE DAYTON EXPRESAMENTE ESTA LIMITADA Y NO PUEDE EXCEDER EL PRECIO DE COMPRA PAGADO POR EL ARTICULO.

**EXCLUSION DE RESPONSABILIDAD DE LA GARANTIA.** SE HAN HECHO ESFUERZOS DILIGENTES PARA PROPORCIONAR INFORMACION E ILUSTRACIONES APROPIADAS SOBRE EL PRODUCTO EN ESTE MANUAL; SIN EMBARGO, ESTA INFORMACION Y LAS ILUSTRACIONES TIENEN COMO UNICO PROPOSITO LA IDENTIFICACION DEL PRODUCTO Y NO EXPRESAN NI IMPLICAN GARANTIA DE QUE LOS PRODUCTOS SEAN VENDIBLES O ADECUADOS PARA UN PROPOSITO EN PARTICULAR NI QUE SE AJUSTAN NECESARIAMENTE A LAS ILUSTRACIONES O DESCRIPCIONES. CON EXCEPCION DE LO QUE SE ESTABLECE A CONTINUACION, DAYTON NO HACE NI AUTORIZA NINGUNA GARANTIA O AFIRMACION DE HECHO, EXPRESA O IMPLICITA, QUE NO SEA ESTIPULADA EN LA "GARANTIA LIMITADA" ANTERIOR.

**Consejo Técnico y Recomendaciones, Exclusiones de Responsabilidad.** A pesar de las prácticas, negociaciones o usos comerciales realizados previamente, las ventas no deberán incluir el suministro de consejo técnico o asistencia o diseño del sistema. Dayton no asume ninguna obligación o responsabilidad por recomendaciones, opiniones o consejos no autorizados sobre la elección, instalación o uso de los productos.

**Adaptación del Producto.** Muchas jurisdicciones tienen códigos o regulaciones que rigen la venta, la construcción, la instalación y/o el uso de productos para ciertos propósitos que pueden variar con respecto a los aplicables a las zonas vecinas. Si bien se trata de que los productos Dayton cumplan con dichos códigos, no se puede garantizar su conformidad y no se puede hacer responsable por la forma en que se instale o use su producto. Antes de comprar y usar el producto, revise su aplicación y todos los códigos y regulaciones nacionales y locales aplicables y asegúrese de que el producto, la instalación y el uso los cumplan.

Ciertos aspectos de limitación de responsabilidad no se aplican a productos al consumidor; es decir (a) algunas jurisdicciones no permiten la exclusión ni limitación de daños incidentales o consecuentes, de modo que las limitaciones o exclusiones anteriores quizás no apliquen en su caso; (b) asimismo, algunas jurisdicciones no permiten limitar el plazo de una garantía implícita, por lo tanto, la limitación anterior quizás no aplique en su caso; y (c) por ley, mientras la Garantía Limitada esté vigente no podrán excluirse ni limitarse en modo alguno ninguna garantía implícita de comercialización o de idoneidad para un propósito en particular aplicables a los productos al consumidor adquiridos por éste.

**Atención Oportuna.** Se hará un esfuerzo de buena fe para corregir puntualmente, o hacer otros ajustes, con respecto a cualquier producto que resulte defectuoso dentro de los términos de esta garantía limitada. En el caso de que encuentre un producto defectuoso y que esté cubierto dentro de los límites de esta garantía haga el favor de escribir primero, o llame, al distribuidor a quien le compró el producto. El distribuidor le dará las instrucciones adicionales. Si no puede resolver el problema en forma satisfactoria, escriba a Dayton a la dirección a continuación, dando el nombre del distribuidor, su dirección, la fecha y el número de la factura del distribuidor y describa la naturaleza del defecto. La propiedad del artículo y el riesgo de pérdida pasan al comprador en el momento de la entrega del artículo a la compañía de transporte. Si el producto se daña durante el transporte, debe presentar su reclamo a la compañía transportista.

**Fabricado para Dayton Electric Mfg. Co., 5959 W. Howard St., Niles, Illinois 60714-4014 EE.UU.**

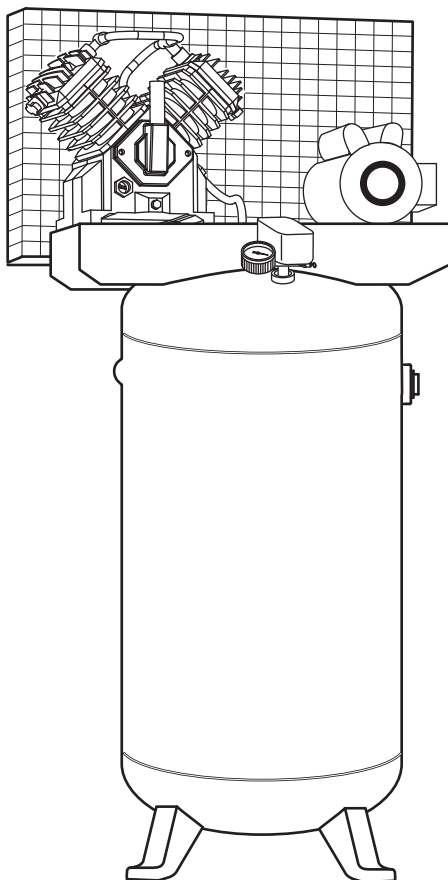
*Veillez lire et conserver ces instructions. Lire attentivement avant de commencer à assembler, installer, faire fonctionner ou entretenir l'appareil décrit. Protégez-vous et les autres en observant toutes les informations sur la sécurité. Négliger d'appliquer ces instructions peut résulter en des blessures corporelles et/ou en des dommages matériels ! Conserver ces instructions pour références ultérieures.*

# Speedaire® Compresseur d'Air

**Se référer au Formulaire 5S5996 pour les Instructions d'Utilisation et de Sécurité Générales**

**Pour garantie et service 1-888-606-5587**

**Ne pas retourner à la succursale**

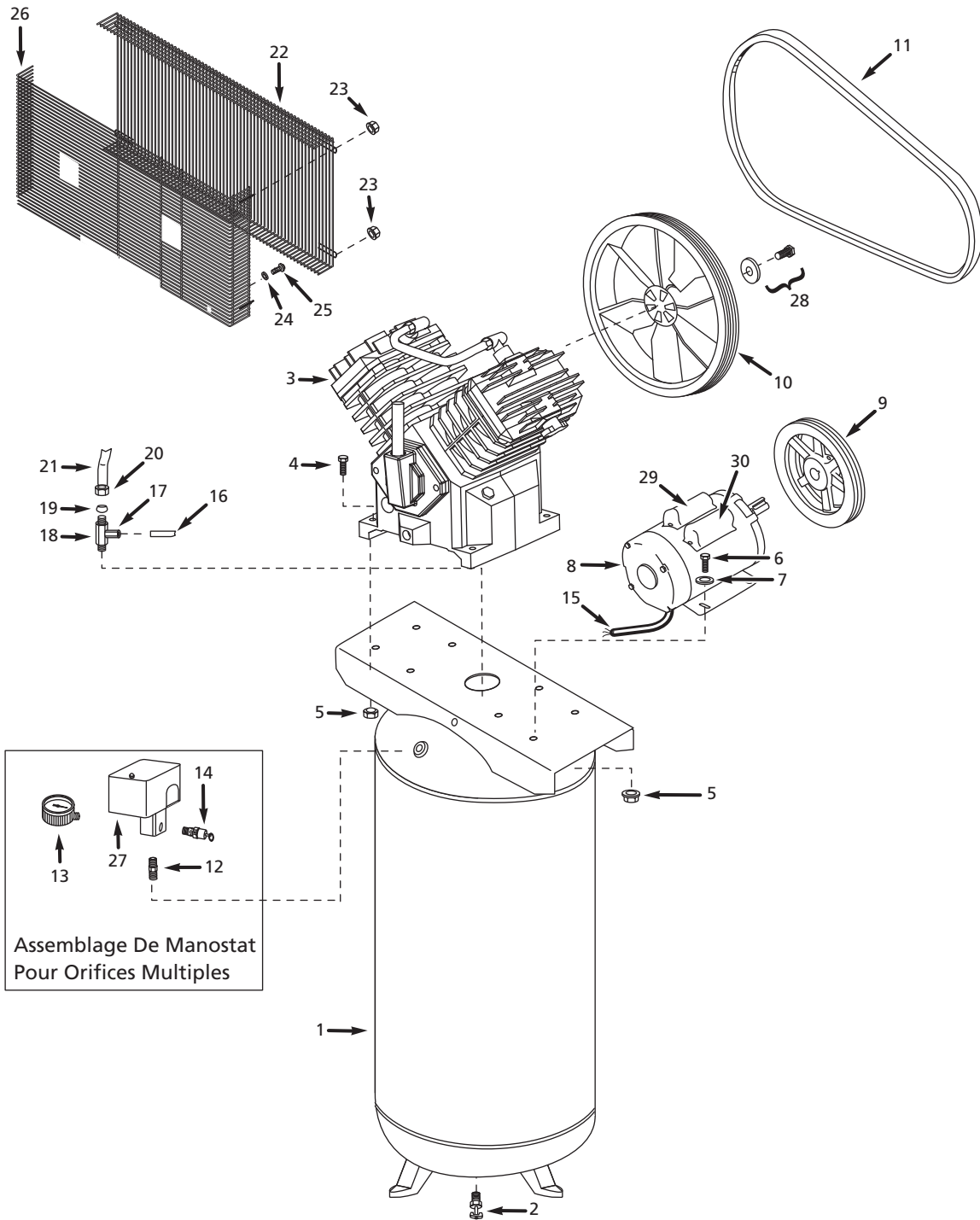


## Spécifications

| Modèle | HP de servicio | Air Libre m <sup>3</sup> /min |           | Voltios, Phase            | Appel d'ampères | Facteur d'Util. Max. | Capacité d'Huile |
|--------|----------------|-------------------------------|-----------|---------------------------|-----------------|----------------------|------------------|
|        |                | à 6,21 kPa                    | à 965 kPa |                           |                 |                      |                  |
| 4ME97A | 5              | 0,45                          | 0,40      | 230V, monoase             | 21,0            | 80/20                | 1,33 L           |
| 4ME98A | 5              | 0,45                          | 0,40      | 208 - 230V/460V, triphase | 13,4 - 13,2/6,6 | 80/20                | 1,33 L           |

| Modèle | Cap. du Réservoir (Litres) | Pression de Service Maximale | Sortie du Réservoir (femelle) | Dimensions (cm) |       |        |
|--------|----------------------------|------------------------------|-------------------------------|-----------------|-------|--------|
|        |                            |                              |                               | Long.           | Larg. | Alt.   |
| 4ME97A | 227,1                      | 965 kPa                      | 19,1 mm NPT                   | 58,42           | 78,74 | 180,34 |
| 4ME98A | 227,1                      | 965 kPa                      | 19,1 mm NPT                   | 58,42           | 78,74 | 180,34 |

**Commandez les pièces détachées en appelant gratuitement  
1 800 323-0620**  
**24 heures par jour – 365 jours par an**



Assemblage De Manostat  
Pour Orifices Multiples

Figure 1 – Illustration des pièces détachées pour Modèles 4ME97A and 4ME98A

F  
R  
A  
N  
Ç  
A  
I  
S

# Liste de Pièces Détachées

S'il vous plaît fournir l'information suivante :

- Numéro de modèle
- Numéro de série (s'il y en a un)
- Description de la pièce et son numéro comme montré sur la liste de pièces

| Numéro de Référence | Description                                   | Numéros De Pièces Pour Modèles |            | Quantité |
|---------------------|---|--------------------------------|------------|----------|
|                     |   | 4ME97A                         | 4ME98A     |          |
| 1                   | Réservoir à air                               | AR040000CG                     | AR040000CG | 1        |
| 2                   | Robinet de purge                              | D-1403                         | D-1403     | 1        |
| 3                   | Pompe de compresseur d'air avec volant moteur | TQ300000AV                     | TQ300000AV | 1        |
| 4                   | Boulon à tête hex., 5/16 po-18 x 1-1/2 po     | *                              | *          | 4        |
| 5                   | Contre-écrou, 5/16 po-18                      | *                              | *          | 8        |
| 6                   | Boulon à tête hex., 5/16 po-18 x 3/4 po       | ST016000AV                     | ST016000AV | 4        |
| 7                   | Rondelle, 5/16 po                             | ST011200AV                     | ST011200AV | 4        |
| 8                   | Moteur Électrique                             | MC019300AV                     | MC024800AV | 1        |
| 9                   | Poulie de moteur                              | PU017000AV                     | PU009796AV | 1        |
| 10                  | Volant  | PU017100AV                     | PU017100AV | 1        |
| 11                  | Courroie                                      | BT013100AV                     | BT013100AV | 1        |
| 12                  | Mamelon de tuyau                              | HF002401AV                     | HF002401AV | 1        |
| 13                  | Manomètre                                     | GA031900AV                     | GA031900AV | 1        |
| 14                  | Soupape de sûreté                             | V-215105AV                     | V-215105AV | 1        |
| 15                  | Cordon électrique                             | EC014800AV                     | EC010000AV | 1        |
| 16                  | Tuyaux en polytétrafluoroéthylène (PTFE)      | ST117802AV                     | ST117802AV | 1        |
| 17                  | Raccord droit                                 | ST081301AV                     | ST081301AV | 1        |
| 18                  | Clapet  | CV223300AV                     | CV223300AV | 1        |
| 19                  | Manchon de compression, 1/2 po                | ST032900AV                     | ST032900AV | 1        |
| 20                  | Écrou de compression, 1/2 po                  | ST033001AV                     | ST033001AV | 1        |
| 21                  | Tuyau flexible de refoulement                 | TQ901600AP                     | TQ901600AP | 1        |
| 22                  | Carter de courroie avant                      | BG217002AV                     | BG217002AV | 1        |
| 23                  | Écrou à collet hexagonal, 10-24               | ST116201AV                     | ST116201AV | 5        |
| 24                  | Rondelle, 5/16 po                             | ST011200AV                     | ST011200AV | 2        |
| 25                  | Vis auto-taraudeuse, 5/16 po                  | ST016500AV                     | ST016500AV | 4        |
| 26                  | Carter de courroie arrière                    | BG021701AV                     | BG021701AV | 1        |
| 27                  | Pressostat (avec soupape de décharge)         | CW212201AV                     | CW212201AV | 1        |
| 27a                 | △ Soupape de décharge de pressostat           | CW210001AV                     | CW210001AV | 1        |
| 27b                 | △ Couvercle de pressostat                     | CW217800AV                     | CW217800AV | 1        |
| 28                  | Trousse d'attaches de volant moteur           | TQ901400AV                     | TQ901400AV | 1        |
| 29                  | Condensateur - Démarrage                      | MC507018AV                     | --         | 1        |
| 30                  | Condensateur - Marche                         | MC506910AV                     | --         | 1        |
| 31                  | △ Décalcomanie d'avertissement                | DK747600AV                     | DK747600AV | 1        |

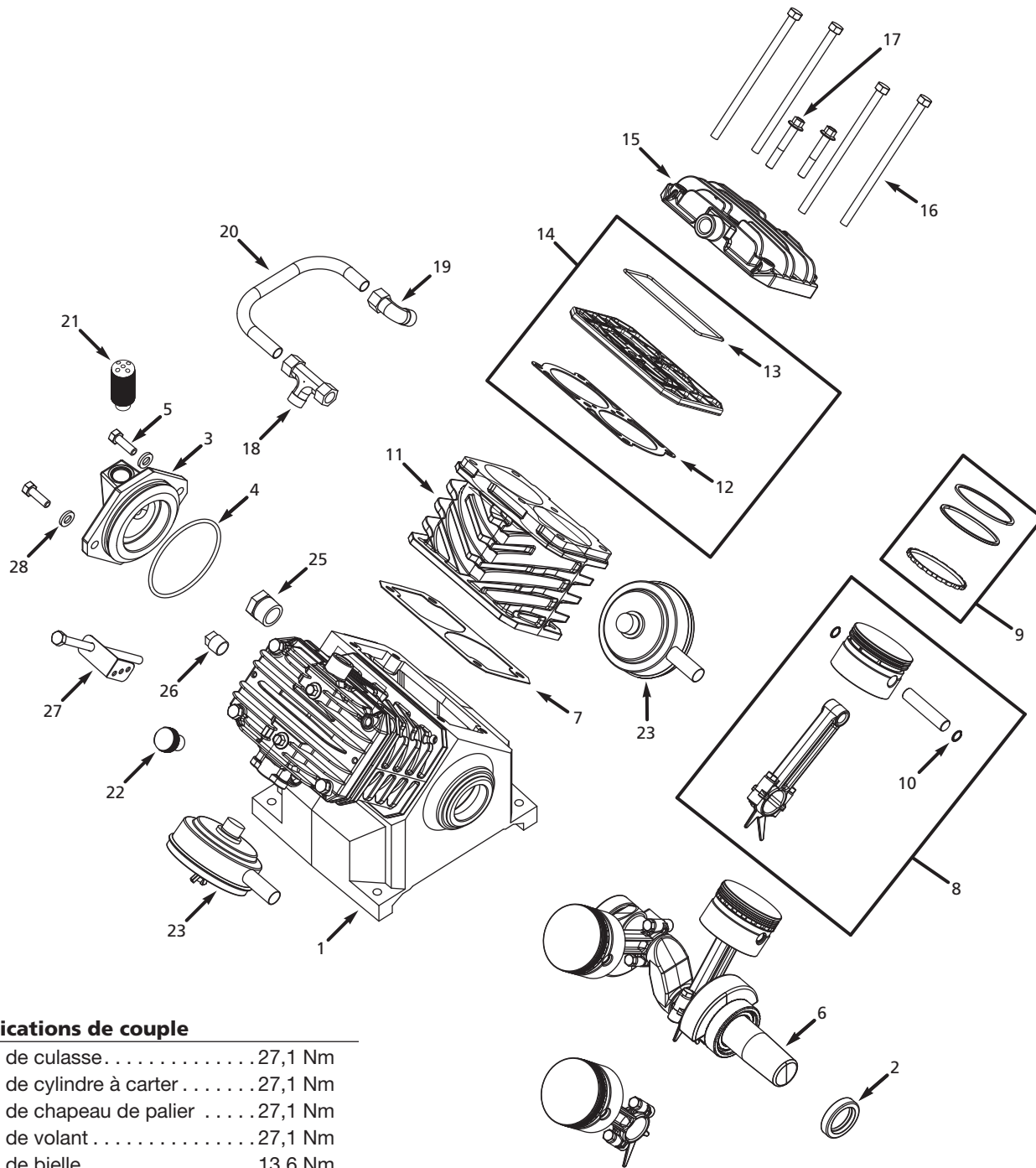
△ Pas indiquée

\* Article normal de quincaillerie

-- No disponible

**Commandez les pièces détachées en appelant gratuitement  
1 800 323-0620**

**24 heures par jour – 365 jours par an**



**Spécifications de couple**

|                                       |         |
|---------------------------------------|---------|
| Boulon de culasse . . . . .           | 27,1 Nm |
| Boulon de cylindre à carter . . . . . | 27,1 Nm |
| Boulon de chapeau de palier . . . . . | 27,1 Nm |
| Boulon de volant . . . . .            | 27,1 Nm |
| Boulon de bielle . . . . .            | 13,6 Nm |

**Figure 2 – Illustration des pièces détachées pour le pompe**

FRANÇAIS



# Liste de Pièces Détachées

S'il vous plaît fournir l'information suivante :

- Numéro de modèle
- Numéro de série (s'il y en a un)
- Description de la pièce et son numéro comme montré sur la liste de pièces

| N° de Réf. | Description   | N° de Pièce  | Qte | N° de Réf.                         | Description                                      | N° de Pièce | Qte |
|------------|---|--------------|-----|------------------------------------|--|-------------|-----|
| 1          | Carter  | TQ010001AV   | 1   | 21                                 | Reniflard  | VH901100AV  | 1   |
| 2          | Bague d'étanchéité d'huile                                  | ST120000AV   | 1   | 22                                 | Bouchon de remplissage d'huile                   | VH900800AV  | 1   |
| 3          | Chapeau de palier   | TQ010201AV   | 1   | 23                                 | Filtre d'air avec élément                        | VH901700AV  | 2   |
| 4          | Joint torique   | ●            | 1   | 24                                 | △ Éléments de filtre d'air seulement             | VH901800AV  | 2   |
| 5          | Vis à tête hexagonale M8 x 25 mm                            | ST076808AV   | 2   | 25                                 | Regard   | VH901000AV  | 1   |
| 6          | Assemblage de roulement de vilebrequin (Pistons non inclus) | TQ900201AJ   | 1   | 26                                 | Bouchon de tuyau de 1/4 po (6,4 mm) NPT          | ST072915AV  | 1   |
| 7          | Joint d'étanchéité de carter                                | ●            | 2   | 27                                 | Support de carter de courroie                    | TQ012000AV  | 1   |
| 8          | Bielle équipée  | ■            | 4   | 28                                 | Rondelle de laiton                               | ST070925AV  | 2   |
| 9          | Jeu de segments de piston (Deux jeux)                       | VT911200AV ■ | 2   | <b>LISTE DE PIÈCES DE RECHANGE</b> |  |             |     |
| 10         | Anneau de retenue interne                                   | ■            | 8   | ▲                                  | Trousse d'attaches et culasse                    | TQ900800AJ  |     |
| 11         | Cylindre  | VT040915AV   | 2   | ■                                  | Trousse d'assemblage d'anneau de piston / bielle | TQ901500AV  |     |
| 12         | Joint d'étanchéité de cylindre                              | ●            | 2   | ●                                  | Nécessaire de joint d'étanchéité                 | TQ901001AJ  |     |
| 13         | Joint torique moulé quad                                    | ●            | 2   | △                                  | Pas indiquée                                     |             |     |
| 14         | Jeu de plaque de soupape                                    | VT470800AJ   | 2   |                                    |  |             |     |
| 15         | Tête du cylindre  | ▲            | 2   |                                    |  |             |     |
| 16         | Vis à tête hexagonale M8 x 150 mm                           | ▲            | 8   |                                    |  |             |     |
| 17         | Vis d'accouplement  | ▲            | 4   |                                    |  |             |     |
| 18         | Raccord en T d'échappement                                  | TQ901100AV   | 1   |                                    |  |             |     |
| 19         | Raccord en coude d'échappement                              | TQ901200AV   | 1   |                                    |  |             |     |
| 20         | Tuyau d'échappement   | TQ901300AV   | 1   |                                    |  |             |     |

# Speedaire® Compresseur d'Air

## GARANTIE LIMITÉE

**GARANTIE LIMITÉE DE UN AN DE DAYTON.** LES MODÈLES SPEEDAIRE® COMPRESSEUR D'AIR COUVERTS DANS CE MANUEL SONT GARANTIS À L'UTILISATEUR D'ORIGINE PAR DAYTON ELECTRIC MFG. CO. (DAYTON), CONTRE TOUT DÉFAUT DE FABRICATION OU DE MATÉRIAUX, LORS D'UNE UTILISATION NORMALE, ET CELA PENDANT UN AN APRÈS LA DATE D'ACHAT. TOUTE PIÈCE, DONT LES MATÉRIAUX OU LA MAIN D'OUVRE SERONT JUGÉS DÉFECTUEUX, ET QUI SERA RENVOYÉE PORT PAYÉ, À UN CENTRE DE RÉPARATION AUTORISÉ PAR DAYTON, SERA, À TITRE DE SOLUTION EXCLUSIVE, SOIT RÉPARÉE, SOIT REMPLACÉE PAR DAYTON. POUR LE PROCÉDÉ DE RÉCLAMATION SOUS GARANTIE LIMITÉE, REPORTEZ-VOUS À LA CLAUSE DE "DISPOSITION PROMPTE" CI-DESSOUS. CETTE GARANTIE LIMITÉE DONNE AUX ACHETEURS DES DROITS LÉGAUX SPÉCIFIQUES QUI VARIENT DE JURIDICTION À JURIDICTION.

**LIMITES DE RESPONSABILITÉ.** LA RESPONSABILITÉ DE DAYTON, DANS LES LIMITES PERMISES PAR LA LOI, POUR LES DOMMAGES INDIRECTS OU FORTUITS EST EXPRESSEMENT DÉNIÉE. DANS TOUS LES CAS LA RESPONSABILITÉ DE DAYTON EST LIMITÉE ET NE DÉPASSERA PAS LA VALEUR DU PRIX D'ACHAT PAYÉ.

**DÉSISTEMENT DE GARANTIE.** DE DILIGENTS EFFORTS SONT FAITS POUR FOURNIR AVEC PRÉCISION LES INFORMATIONS ET ILLUSTRATIONS DES PRODUITS DÉCRITS DANS CETTE BROCHURE; CEPENDANT, DE TELLES INFORMATIONS ET ILLUSTRATIONS SONT POUR LA SEULE RAISON D'IDENTIFICATION, ET N'EXPRIMENT NI N'IMPLIQUENT QUE LES PRODUITS SONT COMMERCIALISABLES, OU ADAPTABLES À UN BESOIN PARTICULIER, NI QUE CES PRODUITS SONT NÉCESSAIREMENT CONFORMES AUX ILLUSTRATIONS OU DESCRIPTIONS. SAUF POUR CE QUI SUIT, AUCUNE GARANTIE OU AFFIRMATION DE FAIT, ÉNONCÉE OU IMPLICITE, AUTRE QUE CE QUI EST ÉNONCÉ DANS LA « GARANTIE LIMITÉE » CI-DESSUS N'EST FAITE OU AUTORISÉE PAR DAYTON.

**Désistement sur les conseils techniques et les recommandations.** Peu importe les pratiques ou négociations antérieures ou les usages commerciaux, les ventes n'incluent pas l'offre de conseils techniques ou d'assistance ou encore de conception de système. Dayton n'a aucune obligation ou responsabilité quant aux recommandations non autorisées, aux opinions et aux suggestions relatives au choix, à l'installation ou à l'utilisation des produits.

**Conformité du produit.** De nombreuses juridictions ont des codes et règlements qui gouvernent les ventes, constructions, installations et/ou utilisations de produits pour certains usages qui peuvent varier par rapport à ceux d'une zone voisine. Bien que Dayton essaie de s'assurer que ses produits s'accordent avec ces codes, Dayton ne peut garantir cet accord, et ne peut être jugée responsable pour la façon dont le produit est installé ou utilisé. Avant l'achat et l'usage d'un produit, revoir les applications de ce produit, ainsi que tous les codes et règlements nationaux et locaux applicables, et s'assurer que le produit, son installation et son usage sont en accord avec eux.

Certains aspects de désistement ne sont pas applicables aux produits pour consommateur; ex : (a) certaines juridictions ne permettent pas l'exclusion ou la limitation des dommages indirects ou fortuits et donc la limitation ou exclusion ci-dessus peut ne pas s'appliquer dans le cas présent; (b) également, certaines juridictions n'autorisent pas de limitations de durée de la garantie implicite, en conséquence, la limitation ci-dessus peut ne pas s'appliquer dans le cas présent; et (c) par force de loi, pendant la période de cette Garantie Limitée, toutes garanties impliquées de commerciabilité ou d'adaptabilité à un besoin particulier applicables aux produits de consommateurs achetés par des consommateurs, peuvent ne pas être exclues ni autrement désistées.

**Disposition prompte.** Un effort de bonne foi sera fait pour corriger ou ajuster rapidement tout produit prouvé défectueux pendant la période de la garantie limitée. Pour tout produit considéré défectueux pendant la période de garantie limitée, contacter tout d'abord le concessionnaire où l'appareil a été acheté. Le concessionnaire doit donner des instructions supplémentaires. S'il est impossible de résoudre le problème de façon satisfaisante, écrire à Dayton à l'adresse ci-dessous, en indiquant le nom et l'adresse du concessionnaire, la date et le numéro de la facture du concessionnaire, et en décrivant la nature du défaut. Le titre et le risque de perte passent à l'acheteur au moment de la livraison par le transporteur. Si le produit a été endommagé pendant le transport, une réclamation doit être faite auprès du transporteur.

**Fabriqué pour Dayton Electric Mfg. Co., 5959 W. Howard St., Niles, Illinois 60714-4014 États-Unis**



