

**FP2020, FP2021**

**Para Ordenar Repuestos, Sírvase Llamar al Distribuidor Más Cercano a Su Domicilio**

*Sírvase suministrarnos la siguiente información:*

- Número del modelo
- Número de Serie (de haberlo)
- Descripción y número del repuesto según la lista de repuestos

*Puede escribirnos a:*

Campbell Hausfeld  
Attn: Parts Department  
100 Production Drive  
Harrison, OH 45030 U.S.A.

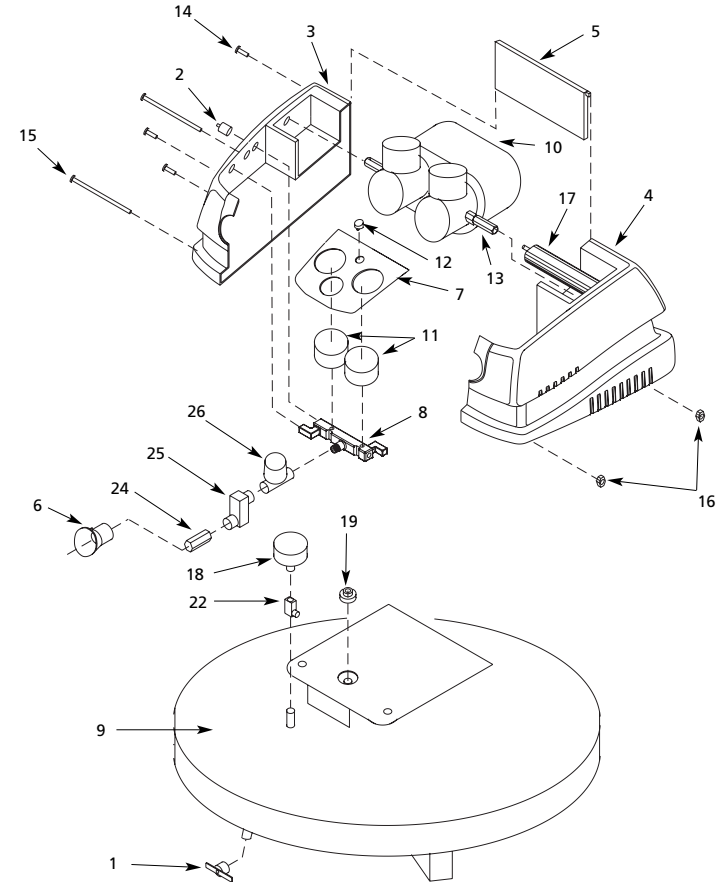
No. de Ref.	Descripción	FP2020	FP2021	Ctd.
1	Drenaje del tanque	D-1403	D-1403	1
2	Válvula de seguridad	V-215100AV	V-215100AV	1
3	Aro de refuerzo del compresor (mitad derecha)	FP001600AV	FP001600AV	1
4	Aro de refuerzo del compresor (mitad izquierda)	FP001700AV	FP001700AV	1
5	Cubierta del compartimiento	FP001800AV	FP001800AV	1
6	Cubierta de la salida	FP001900AV	FP001900AV	1
7	Cubierta del grupo medidor	FP002000AV	FP002000AV	1
8	Distribuidor	FP002100AV	FP002100AV	1
9	Tanque achatado	FP002200BR	FP002200HR	1
10	Ensamblaje del motor de la bomba	FP002300AV	FP002300AV	1
11	Medidor	FP002400AV	FP002400AV	2
12	Interruptor de encendido / apagado	FP002500AV	FP002500AV	1
13	Clavija hexagonal para motor	FP003900AV	FP003900AV	2
14	Parte superior del tornillo de la cubierta	FP002700AV	FP002700AV	5
15	Parte inferior del tornillo de la cubierta	FP002800AV	FP002800AV	2
16	Tuerca de retención del aro de refuerzo	FP002900AV	FP002900AV	2
17	Mango	FP003000AV	FP003000AV	1
18	Interruptor de presión	FP003100AV	FP003100AV	1
19	Válvula de verificación	FP003200AV	FP003200AV	1
20	Juego de tuberías (no se muestra)	FP003300AV	FP003300AV	1
21	Cordón (no se muestra)	FP003400AV	FP003400AV	1
22	Codo del interruptor de presión	FP003500AV	FP003500AV	1
23	Juego de adhesivos (no se muestra)	FP003600AV	FP003601AV	1
24	Niple de salida	FP003700AV	FP003700AV	1
25	Distribuidor de salida	FP003800AV	FP003800AV	1
26	Regulador	RE206203AV	RE206203AV	1

**Portable Air Compressor  
Compresseur d'Air Portatif  
Compresor d'Aire Portátil**

**Replacement Parts List  
Liste de Pièces de Rechange  
Lista de Repuestos**

**FP2020, FP2021**

For parts, products & service information visit  
**POWER XPERT**  
www.chpower.com



**For Replacement Parts, Call 1-800-543-6400**

Please provide following information:

- Model number
- Serial number (if any)
- Part description and number as shown in parts list

Address parts correspondence to:

Campbell Hausfeld / Parts Department  
100 Production Drive  
Harrison, OH 45030

Ref. No.	Description	FP2020	FP2021	Qty.
1	Tank drain	D-1403	D-1403	1
2	Safety valve	V-215100AV	V-215100AV	1
3	Compressor shroud (right half)	FP001600AV	FP001600AV	1
4	Compressor shroud (left half)	FP001700AV	FP001700AV	1
5	Compartment cover	FP001800AV	FP001800AV	1
6	Outlet cover	FP001900AV	FP001900AV	1
7	Gauge cluster cover	FP002000AV	FP002000AV	1
8	Manifold	FP002100AV	FP002100AV	1
9	Pancake tank	FP002200BR	FP002200HR	1
10	Pump motor assembly	FP002300AV	FP002300AV	1
11	Gauge	FP002400AV	FP002400AV	2
12	ON/OFF switch	FP002500AV	FP002500AV	1
13	Hex motor pin	FP003900AV	FP003900AV	2
14	Cover screw top	FP002700AV	FP002700AV	5
15	Cover screw bottom	FP002800AV	FP002800AV	2
16	Shroud retainer nut	FP002900AV	FP002900AV	2
17	Handle grip	FP003000AV	FP003000AV	1
18	Pressure switch	FP003100AV	FP003100AV	1
19	Check valve	FP003200AV	FP003200AV	1
20	Tubing kit (not shown)	FP003300AV	FP003300AV	1
21	Cord (not shown)	FP003400AV	FP003400AV	1
22	Pressure switch elbow	FP003500AV	FP003500AV	1
23	Decal kit (not shown)	FP003600AV	FP003601AV	1
24	Outlet nipple	FP003700AV	FP003700AV	1
25	Outlet manifold	FP003800AV	FP003800AV	1
26	Regulator	RE206203AV	RE206203AV	1

**Pour Pièces de Rechange, appeler 1-800-543-6400**

S'il vous plaît fournir l'information suivant:

- Numéro du modèle
- Numéro de série (si applicable)
- Description de la pièce et son numéro sur la liste de pièces

Correspondance concernant les pièces :

Campbell Hausfeld / Parts Department  
100 Production Drive  
Harrison, OH 45030 U.S.A.

N° Ref.	Description	FP2020	FP2021	Qté.
1	Drain de réservoir	D-1403	D-1403	1
2	Soupape de sûreté	V-215100AV	V-215100AV	1
3	Tuyère du compresseur (moitié droite)	FP001600AV	FP001600AV	1
4	Tuyère du compresseur (moitié gauche)	FP001700AV	FP001700AV	1
5	Couvercle de compartiment	FP001800AV	FP001800AV	1
6	Couvercle de sortie	FP001900AV	FP001900AV	1
7	Couvercle de groupe d'instruments de jauge	FP002000AV	FP002000AV	1
8	Collecteur	FP002100AV	FP002100AV	1
9	Réservoir plat	FP002200BR	FP002200HR	1
10	Assemblage du moteur de pompe	FP002300AV	FP002300AV	1
11	Jauge	FP002400AV	FP002400AV	2
12	Interrupteur ON/OFF (MARCHE / ARRÊT)	FP002500AV	FP002500AV	1
13	Goupille moteur hex.	FP003900AV	FP003900AV	2
14	Dessus de la vis d'obturation	FP002700AV	FP002700AV	5
15	Bas de la vis d'obturation	FP002800AV	FP002800AV	2
16	Écrou de retenue de tuyère	FP002900AV	FP002900AV	2
17	Prise de poignée	FP003000AV	FP003000AV	1
18	Manostat	FP003100AV	FP003100AV	1
19	Clapet de non-retour	FP003200AV	FP003200AV	1
20	Trousse de tuyaux (non illustrée)	FP003300AV	FP003300AV	1
21	Cordon (non illustré)	FP003400AV	FP003400AV	1
22	Coude de manostat	FP003500AV	FP003500AV	1
23	Trousse de décalcomanie (non illustrée)	FP003600AV	FP003601AV	1
24	Manchon de sortie	FP003700AV	FP003700AV	1
25	Collecteur de sortie	FP003800AV	FP003800AV	1
26	Régulateur	RE206203AV	RE206203AV	1