

Please read and save these instructions. Read carefully before attempting to assemble, install, operate or maintain the product described. Protect yourself and others by observing all safety information. Failure to comply with instructions could result in personal injury and/or property damage! Retain instructions for future reference.



200 PSI Portable Air Compressor

REGISTER YOUR PRODUCT ONLINE NOW! <http://www.chpower.net/reg>

Description

Portable oilless air compressors are for home and workshop use. Cleaning or replacement of the inlet filter on all models and draining moisture from the air receivers are required maintenance.

Safety Guidelines

This manual contains information that is very important to know and understand. This information is provided for SAFETY and to PREVENT EQUIPMENT PROBLEMS. To help recognize this information, observe the following symbols.

⚠ DANGER Danger indicates an imminently hazardous situation which, if not avoided, WILL result in death or serious injury.

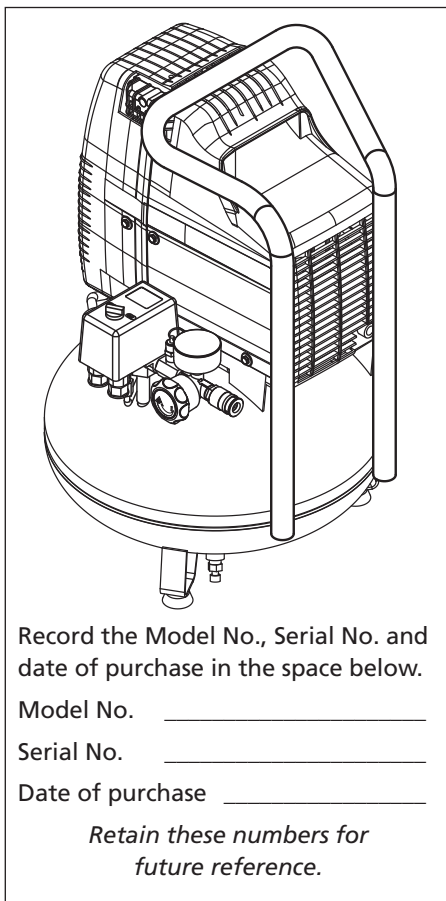
⚠ WARNING Warning indicates a potentially hazardous situation which, if not avoided, COULD result in death or serious injury.

⚠ CAUTION Caution indicates a potentially hazardous situation which, if not avoided, MAY result in minor or moderate injury.

NOTICE Notice indicates important information, that if not followed, may cause damage to equipment.

Unpacking

When unpacking unit, inspect carefully for any damage that may have occurred during transit. Make sure any loose fittings, bolts, etc., are tightened before putting unit into service.



In case of questions, damaged or missing parts, please call 1-800-543-6400 for customer assistance. Have the serial number, model number, and parts list (with missing parts circled) before calling.



DO NOT RETURN THE PRODUCT TO THE RETAILER!

⚠ WARNING Do not operate unit if damaged during shipping, handling or use. Damage may result in bursting and cause injury or property damage.

⚠ DANGER

Breathable Air Warning

This compressor/pump is not equipped and should not be used "as is" to supply breathing quality air. For any application of air for human consumption, the air compressor/pump will need to be fitted with suitable in-line safety and alarm equipment. This additional equipment is necessary to properly filter and purify the air to meet minimal specifications for Grade D breathing as described in Compressed Gas Association Commodity Specification G 7.1 - 1966, OSHA 29 CFR 1910.134, and/or Canadian Standards Associations (CSA).

DISCLAIMER OF WARRANTIES
In the event the compressor is used for the purpose of breathing air application and proper in-line safety and alarm equipment is not simultaneously used, existing warranties shall be voided, and the Campbell Hausfeld disclaims any liability whatsoever for any loss, personal injury or damage.

⚠ CAUTION

Risk of Bursting! This compressor is designed to provide air pressure up to 200 psi. Most attachments are designed to operate at a maximum pressure of less than 125 psi. DO NOT adjust the regulator to result in output pressure greater than the marked maximum pressure of the attachment.



**READ & FOLLOW ALL INSTRUCTIONS
SAVE THESE INSTRUCTIONS
DO NOT DISCARD**

REMINDER: Keep your dated proof of purchase for warranty purposes! Attach it to this manual or file it for safekeeping.

General Safety

CALIFORNIA PROPOSITION 65

▲ WARNING *This product or its power cord may contain chemicals, including lead, known to the State of California to cause cancer and birth defects or other reproductive harm. Wash hands after handling.*

▲ WARNING *You can create dust when you cut, sand, drill or grind materials such as wood, paint, metal, concrete, cement, or other masonry. This dust often contains chemicals known to cause cancer, birth defects, or other reproductive harm. Wear protective gear.*



GENERAL SAFETY INFORMATION

Air compressors are utilized in a variety of air system applications. Because air compressors and other components (material pump, spray gun, filters, lubrications, hoses, etc.) used make up a high pressure pumping system, the following safety precautions should be observed at all times. Only persons well acquainted with these rules of safe operation should be allowed to use the air compressor.

▲ CAUTION *Risk of Bursting! This compressor is designed to provide air pressure up to 200 psi. Most attachments are designed to operate at a maximum pressure of less than 125 psi. DO NOT adjust the regulator to result in output pressure greater than the marked maximum pressure of the attachment.*

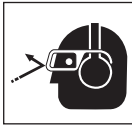


▲ WARNING *Risk of Injury! Do not direct air stream at body.*

▲ WARNING *All electrical work should be done by a qualified (licensed or certified) electrician. On a properly wired circuit, the black wires supply a voltage potential even when the unit is off.*



1. Read instruction manuals for each component carefully, before attempting to assemble, disassemble or operate your particular system.

2. Wear safety glasses and use hearing protection when operating the pump or unit. 
3. Do not stand on or use the pump or unit as a handhold.
4. Do not exceed pressure rating of any component in system.
5. Protect material lines and air lines from damage or puncture. Keep hose and power cable away from sharp objects, chemical spills, oil, solvents, and wet floors.
6. Never point a spray gun at oneself or any other person. Accidental discharge may result in serious injury.
7. Check hoses for weak or worn condition, before each use, making certain all connections are secure; do not use if deficiency is found. Notify an authorized service facility for examination or repair.

▲ WARNING *Do not run unattended. Leaving compressor in ON position may allow it to turn on inadvertently. To prevent this and possible damage from power surge, turn to OFF position after each use.*

8. Release all pressures within system slowly; dust and debris may be harmful.

▲ CAUTION *Keep fingers away from a running compressor; fast moving and hot parts will cause injury and/or burns.*



▲ WARNING *Disconnect power and depressurize system before servicing air compressor!*

9. Follow all local electrical and safety codes, as well as the National Electrical Code (NEC) and the Occupational Safety and Health Act (OSHA).
10. Wiring and fuses should follow electrical codes, current capacity, and be properly grounded.
11. Electric motors must be securely and adequately grounded. See grounding instructions and extension cord information, in this manual.

12. Always disconnect power source before working on or near a motor, or its connected load. If power disconnect point is out-of-sight, lock it in the open position and tag to prevent unexpected application of power.
13. Guard all moving parts; keep visitors away. Never allow children in work area.
14. Use only a properly grounded outlet that will accept a three pronged plug, and wear shoes to prevent shock hazards.

▲ CAUTION *Be careful when touching exterior of operating motor; it may be hot enough to cause injury. Compressor parts may be hot even if the unit is stopped.*



15. Protect power cable from coming in contact with sharp objects.
16. Clean electrical or electronic equipment with an approved cleaning agent, such as dry, nonflammable cleaning solvent.

▲ WARNING *Motors, electrical equipment and controls can cause electrical arcs that will ignite a flammable gas or vapor. Never operate or repair the unit near a flammable gas or vapor. Never store flammable liquids or gases in the vicinity of the compressor.*



17. To reduce fire hazard, keep engine/motor exterior free of oil, solvent, or grease. 
18. To avoid spontaneous combustion, discard waste rags into approved metal waste cans.
19. NEVER reset safety valve or pressure switch. Keep safety valve free from paint and other accumulations. This provides safety against over pressure.

▲ WARNING *Never remove or attempt to adjust safety valve. Keep safety valve free from paint and other accumulations.*

20. Do regular maintenance; keep all nuts, bolts, and screws tight, to be sure equipment is in safe working condition .

General Safety (Continued)

21. Keep cleaning rags and other flammable waste materials in a tightly closed metal container and dispose of later in the proper fashion.
22. Drain tanks of moisture after each day's use. If unit will not be used for a while, it is best to leave drain cock open until such time as it is to be used. This will allow moisture to completely drain out and help prevent corrosion of inside of tank.
23. Inspect tank yearly for rust, pin holes or any other imperfections that could cause it to become unsafe. NEVER weld or drill holes in air tank.
24. Household use only.
25. To reduce the risk of electrical shock, do not expose to rain. Store indoors.

⚠ DANGER *Never attempt to repair or modify a tank! Welding, drilling or any other modification will weaken the tank resulting in damage from rupture or explosion. Always replace worn or damaged tanks.*

⚠ WARNING *Drain liquid from tank daily.*

SPRAYING PRECAUTIONS

⚠ WARNING *Do not spray flammable materials in vicinity of open flame or near ignition sources including the compressor unit.*

1. Spray in a well ventilated area, to keep fumes from collecting and causing health and fire hazards.
2. Do not spray in vicinity of open flames or other places where a spark can cause ignition. Do not smoke when spraying paint, insecticides, or other flammable substances.
3. Use a respirator when spraying.
4. Do not direct paint or other sprayed material at the compressor. Locate compressor as far away from the spraying area as possible to minimize overspray accumulation on the compressor.
5. When spraying or cleaning with solvents or toxic chemicals, follow the instructions provided by the chemical manufacturer.
6. Do not smoke when spraying paint, insecticides, or other flammable substances.

7. Use a face mask/respirator when spraying and spray in a well ventilated area to prevent health and fire hazards.



8. Do not direct airstream at body.

Introduction

Pressure Switch - ON/OFF Switch (⏻) - In the ON position (I), the compressor shuts off automatically when tank pressure reaches the maximum preset pressure. In the OFF position (O), the compressor will not operate. This switch should be in the OFF position (O) when connecting or disconnecting the power cord from the electrical outlet.

Regulator - The regulator controls the amount of air pressure at the hose outlet. Turning regulator knob clockwise (to the right) will increase air pressure at the outlet. Turning knob counterclockwise (to the left) will lower air pressure to the outlet. Turning knob fully counterclockwise will shut off flow of air completely.

Handle - Designed to move the compressor.

ASME Safety Valve - This valve automatically releases air if the tank pressure exceeds the preset maximum.

Exhaust Tube - This tube carries compressed air from the pump to the check valve. This tube becomes very hot during use. To avoid the risk of severe burns, never touch the exhaust tube.

Check Valve - A one-way valve that allows air to enter the tank, but prevents air in the tank from flowing back into the compressor pump.

Air Outlet - A quick connect coupler designed to work in combination with a quick connect plug to quickly and easily join the compressor to an air hose.

Pressure Gauges - These gauges will show air pressure in the compressor tank and at the compressor outlet.

Outlet Pressure Gauge - Will show air pressure at the outlet in pounds per square inch (psi). Make sure this gauge reads ZERO (by adjusting regulator knob fully counterclockwise) before changing air tools or disconnecting air hose from outlet.

Tank Pressure Gauge - Will show air pressure in tank while the compressor is running, indicating compressor is building pressure properly. This gauge will show maximum pressure of compressor when it shuts off automatically at the pressure switch.

Drain Valve - This valve is located underneath the tank. Use this valve to drain moisture from the tank daily to reduce the risk of corrosion.

⚠ WARNING *Drain liquid from tank daily.*

Reduce tank pressure below 10 psi, then drain moisture from tank daily to avoid tank corrosion. Drain moisture from tank by opening the drain valve located underneath the tank.

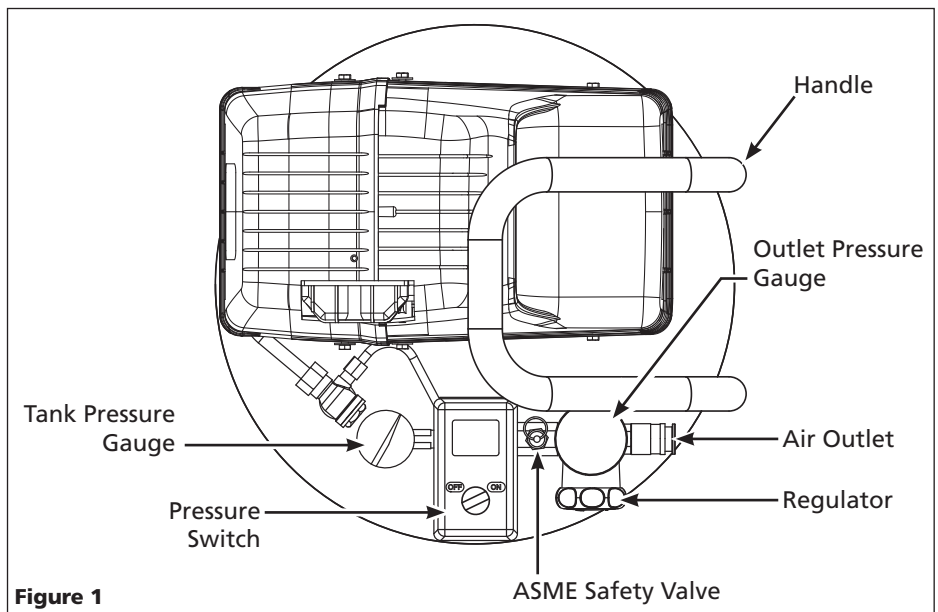


Figure 1

Installation

LOCATION

It is extremely important to install the compressor in a clean, well ventilated area where the surrounding air temperature will not be more than 100°F.

A minimum clearance of 18 inches between the compressor and a wall is required because objects could obstruct air flow.

CAUTION Do not locate the compressor air inlet near steam, paint spray, sandblast areas or any other source of contamination. This debris will damage the motor.

Household use only. Store indoors.

ELECTRICAL INSTALLATION

1. Check and tighten all bolts, fittings, etc., before operating compressor.
2. Operate compressor in a ventilated area so that compressor may be properly cooled.
3. Compressor should be located where it can be directly plugged into an outlet, but if this is not possible, an extension cord may be used. It should be selected using the extension cord chart on page 5 as a guide.
4. To avoid loss of power and overheating, it is better to use additional air hose instead of extension cords to reach work area.

WIRING

1. Local electrical wiring codes differ from area to area. Source wiring, plug and protector must be rated for at least the amperage and voltage indicated on motor nameplate, and meet all electrical codes for this minimum.
2. Use a slow blow fuse type T or a circuit breaker.

CAUTION Overheating, short circuiting and fire damage will result from inadequate wiring, etc.

WARNING All wiring and electrical connections should be performed by a qualified electrician. Installation must be in accordance with local codes and national electrical codes.

NOTE: 120 volt, compressor can be operated on a 120 volt, 15 amp circuit under the following conditions:

- a. No other electrical appliances or lights are connected to the same branch circuit.
 - b. Voltage supply is normal.
 - c. Extension cords are of the minimum gauge specified in this instruction manual.
 - d. Circuit is equipped with a 15 amp circuit breaker or a 15 amp slow blow fuse type T.
3. If above conditions cannot be met or if nuisance tripping of current protection device occurs, it may be necessary to operate compressor from a 120 volt, 20 amp circuit.

GROUNDING INSTRUCTIONS

This product must be grounded. In the event of an electrical short circuit, grounding reduces the risk of electric shock by providing an escape wire for the electric current. This product is equipped with a cord having a grounding wire with an appropriate grounding plug. The plug must be plugged into an outlet that is properly installed and grounded in accordance with all local codes and ordinances.

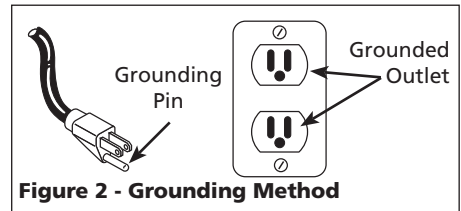
WARNING Improper installation of the grounding plug is able to result in a risk of electric shock. When repair or replacement of the cord or plug is required, do not connect the grounding wire to either flat blade terminal. The wire with insulation having an outer surface that is green with or without yellow stripes is the grounding wire.

DANGER Do not use a grounding adapter with this product!

WARNING Never connect green (or green and yellow) wire to a live terminal.

Check with a qualified electrician or serviceman when the grounding instructions are not completely understood, or when in doubt as to whether the product is properly grounded. Do not modify the plug provided; if it does not fit the outlet, have the proper outlet installed by a qualified technician.

This product is for use on a nominal 120V circuit and has a grounding plug similar to the plug illustrated in Figure 2. Only connect the product to an outlet having the same configuration as the plug. Do not use an adapter with this product.



EXTENSION CORDS

NOTICE To avoid loss of power and overheating, it is better to use additional air hose instead of extension cords to reach work area.

Use only a 3-wire extension cord that has a 3-blade grounding plug, and a 3-slot receptacle that accepts the plug on the product. Make sure your extension cord is not damaged. When using an extension cord, be sure to use one heavy enough to carry the current your product draws. An undersized cord results in a drop in line voltage and loss of power and overheating. [The table on page 5 shows the correct size to use depending on cord length and nameplate ampere rating. When in doubt, use the next heavier gauge. The smaller the gauge number, the heavier the cord.]

MOISTURE IN COMPRESSED AIR

Moisture in compressed air will form into droplets as it comes from an air compressor pump. When humidity is high or when a compressor is in continuous use for an extended period of time, this moisture will collect in the tank. When using a paint spray or sandblast gun, this water will be carried from the tank through the hose, and out of the gun as droplets mixed with the spray material.

IMPORTANT: This condensation will cause water spots in a paint job, especially when spraying other than water based paints. If sandblasting, it will cause the sand to cake and clog the gun, rendering it ineffective. A filter in the air line, located as near to the gun as possible, will help eliminate this moisture.

Operation

BEFORE FIRST START-UP BREAK-IN PROCEDURE

(Complete this procedure before using compressor for the first time. Once completed, it is not necessary to repeat.)

1. Turn ON/OFF switch (⏻) to OFF position (○).
2. Open the tank drain valve.
3. Plug in power cord.
4. Turn ON/OFF switch (⏻) to ON position (ⓘ) and run compressor for 30 minutes.
5. Turn ON/OFF switch (⏻) to OFF position (○).
6. Unplug power cord.
7. Close drain valve.

The compressor is now ready for use.

BEFORE EACH START-UP OPERATING PROCEDURE

1. Turn regulator knob fully counter clockwise (to the left) to close air flow.
2. Connect air hose to outlet of regulator.
3. Turn On/Off Switch (⏻) to OFF position (○).
4. Plug in power cord.
5. Turn On/Off Switch (⏻) to ON position (ⓘ) and let compressor run until it reaches automatic shutoff pressure.
6. Attach tire chuck or tool to end of hose.
7. Adjust regulator to proper pressure for tool or tire. Operate tool per instructions.

As air is depleted from the tank by use of a tire chuck, tool, etc., the compressor will restart automatically at its preset "cut-in" pressure. When a tool is being used continuously, the compressor will cycle on and off automatically.

8. Turn switch to OFF position (○), unplug power cord and drain tank of air when finished using compressor.

⚠ CAUTION

Risk of Bursting! This compressor is designed to provide air pressure up to 200 psi. Most attachments are designed to operate at a maximum pressure of less than 125 psi. DO NOT adjust the regulator to result in output pressure greater than the marked maximum pressure of the attachment.



Maintenance

⚠ WARNING

Disconnect power source then release all pressure from the system before attempting to install, service, relocate or perform any maintenance. Service should be performed by an authorized service representative.



The compressor should be checked often for any visible problems and the following maintenance procedures should be performed each time the compressor is used.

ASME SAFETY VALVE

⚠ WARNING Do not remove or attempt to adjust the safety valve!

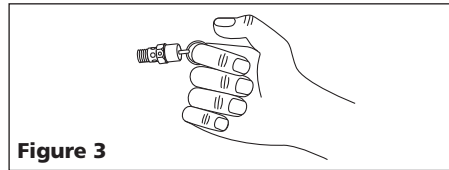


Figure 3

Check the safety valve by performing the following steps:

1. Plug the compressor in and run until shut off pressure is reached (see Operating Procedure).
2. Wearing safety glasses, pull the ring on the safety valve (see Figure 3) to release pressure from compressor tank. Use your other hand to deflect fast-moving air from being directed toward your face.
3. The safety valve should automatically close at approximately 40 - 50 psi. If the safety valve does not allow air to be released when you pull on the ring, or if it does not close automatically, it MUST be replaced.

⚠ WARNING Safety valve must be replaced if it cannot be actuated or it leaks air after ring is released.

DRAIN TANK

With compressor shut off and pressure released: Drain moisture from tank by opening drain valve underneath tank (See Figure 4).

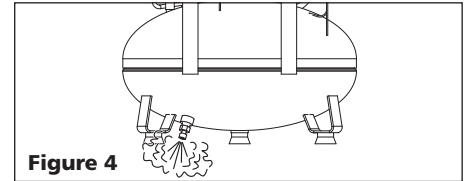


Figure 4

CLEANING

Turn power OFF and clean dust and dirt from motor, tank, air lines and pump cooling fins.

IMPORTANT: Unit should be located as far from spraying area as hose will allow to prevent over-spray from clogging air filter.

AIR FILTER

Check air filter to be sure it is clean. To service a filter, remove the filter housing cover. Remove filter and clean in hot, soapy water (Paper filters cannot be washed). Rinse and let dry. Replace air filters that cannot be cleaned. Place filter back in the housing base. Replace cover.

LUBRICATION

This is an oilless type compressor requiring no lubrication.

* Wire and Terminal Guide

Wire	Color	Terminal	Hot
Power cord	White	Line	No
Motor cord	White	Load	No
Power cord	Black	Line	Yes
Motor cord	Black	Load	Yes

(*) When the unit is not in operation

Minimum Gauge of Extension Cords

Length of Cord	25 feet	50 feet	100 feet
Gauge	14	12	10

Maintenance (Continued)

THERMAL OVERLOAD PROTECTOR

Turn off the pressure switch or unplug compressor for 20 minutes and allow it to cool. Reset the unit. Switch unit to OFF (○) and turn ON (I) again to resume work.

⚠ CAUTION *This compressor is equipped with a manual reset thermal overload protector which will shut off motor if it becomes overheated.*

If thermal overload protector shuts motor off frequently look for the following causes.

1. Low voltage.
2. Wrong gauge wire or length of extension cord.
3. Clogged air filter.
4. Lack of proper ventilation.

⚠ WARNING *The motor must be allowed to cool down before start-up is possible. The motor will automatically restart without warning if left plugged into electrical outlet, if the motor is turned on.*

END OF OPERATION/STORAGE

1. Turn ON/OFF switch (⏻) to OFF position (○).
2. Unplug power cord from wall outlet and wrap around handle to prevent damage when not in use.
3. Wearing safety glasses drain tank of air by pulling the ring on the safety valve. Use other hand to deflect fast moving air from being directed toward your face.
4. Drain tank of condensation by opening drain valve on bottom of tank. Tank pressure should be below 10 psi when draining tank.
5. Air hose should be disconnected from compressor and hung open ends down to allow any moisture to drain.
6. Compressor and hose should be stored in a cool, dry place.

Notes

Troubleshooting Chart

Symptom	Possible Cause(s)	Corrective Action
Compressor will not run	<ol style="list-style-type: none"> 1. No electrical power 2. Breaker open 3. Pressure switch bad 4. Motor over worked 5. Tank pressure above cut-in 	<ol style="list-style-type: none"> 1. Plugged in? Switch on? Check fuse/breaker. 2. Reset, determine cause of problem 3. Replace 4. Turn off, let cool, turn on. 5. Bleed tank pressure down to cut-in.
Fuses blow/circuit breaker trips repeatedly	<ol style="list-style-type: none"> 1. Incorrect size fuse, circuit overloaded 2. Extension cord usage - wrong gauge wire and/or too long. 3. Worn check valve 4. Defective unloader valve (on pressure switch) 5. Defective motor capacitor(s) 6. Defective motor 	<ol style="list-style-type: none"> 1. Check for proper fuse, use time-delay fuse. Disconnect other electrical appliances from circuit or operate compressor on its own branch circuit 2. Remove extension cord or refer to Extension Cord Chart on page 5. 3. Replace check valve <p>⚠ DANGER Do not disassemble check valve with air in tank; bleed tank first.</p> <ol style="list-style-type: none"> 4. Replace unloader valve. 5. Replace capacitor(s) 6. Replace motor
Tank pressure drops when compressor shuts off	<ol style="list-style-type: none"> 1. Loose connections (fittings, tubing, etc.) 2. Open tank drain valve 	<ol style="list-style-type: none"> 1. Check all connections with soap and water solution. Tighten; or remove and apply pipe dope or pipe tape to the threads, then reassemble. 2. Close tank drain valve
Air output lower than normal/low discharge pressure	<ol style="list-style-type: none"> 1. Excessive air usage 2. Clogged intake filter 3. Open tank drain valve 4. Air leaks in piping (on machine or in outside system) 5. Piston ring worn 6. Broken valve (in pump) 	<ol style="list-style-type: none"> 1. Decrease air usage; compressor not large enough for air requirement 2. Clean or replace filter 3. Close tank drain valve 4. Check all connections with soap and water solution. Tighten; or remove and apply pipe dope or pipe tape to the threads, then reassemble. 5. Replace piston and cylinder. 6. Replace valve
Excessive moisture in discharge air	<ol style="list-style-type: none"> 1. Excessive water in tank 2. High humidity 	<ol style="list-style-type: none"> 1. Drain tank 2. Move to area of less humidity; use air line filter
Compressor runs continuously	<ol style="list-style-type: none"> 1. Defective pressure switch 2. Excessive air usage 	<ol style="list-style-type: none"> 1. Replace switch 2. Decrease air usage; compressor not large enough for air requirement
Motor hums but cannot run or runs slowly	<ol style="list-style-type: none"> 1. Circuit overloaded 2. Extension cord usage - wrong gauge wire and/or too long. 3. Loose electrical connections 4. Worn check valve 5. Defective unloader valve (on pressure switch) 6. Defective motor capacitor(s) 7. Defective motor 	<ol style="list-style-type: none"> 1. Disconnect other electrical appliances from circuit or operate compressor on its own branch circuit 2. Remove extension cord or refer to Extension Cord Chart on page 5. 3. Check all electrical connections 4. Replace check valve <p>⚠ DANGER Do not disassemble check valve with air in tank; bleed tank first.</p> <ol style="list-style-type: none"> 5. Replace unloader valve 6. Replace capacitor(s) 7. Replace motor
Thermal overload protector cuts out repeatedly	<ol style="list-style-type: none"> 1. Lack of proper ventilation/room temperature too high 2. Clogged intake filter 3. Circuit overloaded 4. Extension cord usage - wrong gauge wire and/or too long. 5. Worn check valve 6. Defective unloader valve (on pressure switch) 7. Defective motor 	<ol style="list-style-type: none"> 1. Move compressor to well ventilated area 2. Clean or replace filter 3. Check for proper fuse, use time-delay fuse. Disconnect other electrical appliances from circuit or operate compressor on its own branch circuit 4. Remove extension cord or refer to Extension Cord Chart on page 5. 5. Replace check valve <p>⚠ DANGER Do not disassemble check valve with air in tank; bleed tank first.</p> <ol style="list-style-type: none"> 6. Replace unloader valve. 7. Replace motor

Limited Warranty

1. **DURATION:** From the date of purchase by the original purchaser as follows: One Year.
2. **WHO GIVES THIS WARRANTY (WARRANTOR):**
Campbell Hausfeld / Scott Fetzer Company, 100 Production Drive, Harrison, Ohio, 45030, Telephone: (800) 543-6400.
3. **WHO RECEIVES THIS WARRANTY (PURCHASER):** The original purchaser (other than for purposes of resale) of the Campbell Hausfeld compressor.
4. **WHAT PRODUCT IS COVERED BY THIS WARRANTY:** This Campbell Hausfeld air compressor.
5. **WHAT IS COVERED UNDER THIS WARRANTY:** Substantial defects due to material and workmanship with the exceptions noted below.
6. **WHAT IS NOT COVERED UNDER THIS WARRANTY:**
 - A. Implied warranties, including those of merchantability and FITNESS FOR A PARTICULAR PURPOSE ARE LIMITED FROM THE DATE OF ORIGINAL PURCHASE AS STATED IN THE DURATION. If this compressor is used for commercial, industrial or rental purposes, the warranty will apply for ninety (90) days from the date of purchase. Some States do not allow limitations on how long an implied warranty lasts, so the above limitations may not apply to you.
 - B. ANY INCIDENTAL, INDIRECT, OR CONSEQUENTIAL LOSS, DAMAGE, OR EXPENSE THAT MAY RESULT FROM ANY DEFECT, FAILURE, OR MALFUNCTION OF THE CAMPBELL HAUSFELD PRODUCT. Some States do not allow the exclusion or limitations of incidental or consequential damages, so the above limitation or exclusion may not apply to you.
 - C. Any failure that results from an accident, purchaser's abuse, neglect or failure to operate products in accordance with instructions provided in the owner's manual(s) supplied with compressor.
 - D. Pre-delivery service, e.g. assembly, oil or lubricants, and adjustment.
 - E. Items or service that are normally required to maintain the product, e.g. lubricants, filters and gaskets, etc.
 - F. Gasoline engines and components are expressly excluded from coverage under this limited warranty. The Purchaser must comply with the warranty given by the engine manufacturer which is supplied with the product.
 - G. Additional items not covered under this warranty:
 1. All Compressors
 - a. Any component damaged in shipment or any failure caused by installing or operating unit under conditions not in accordance with installation and operation guidelines or damaged by contact with tools or surroundings.
 - b. Pump or valve failure caused by rain, excessive humidity, corrosive environments or other contaminants.
 - c. Cosmetic defects that do not interfere with compressor functionality.
 - d. Rusted tanks, including but not limited to rust due to improper drainage or corrosive environments.
 - e. Electric motors, check valves and pressure switches.
 - f. Drain cocks.
 - g. Damage due to incorrect voltage or improper wiring.
 - h. Other items not listed but considered general wear parts.
 - i. Pressure switches, air governors and safety valves modified from factory settings.
 2. Lubricated Compressors
 - a. Pump wear or valve damage caused by using oil not specified.
 - b. Pump wear or valve damage caused by any oil contamination or by failure to follow proper oil maintenance guidelines.
 3. Belt Drive / Direct Drive / Gas Driven Compressors
 - a. Belts.
 - b. Ring wear or valve damage from inadequate filter maintenance.
 - c. Manually adjusted load/unload and throttle control devices.
7. **RESPONSIBILITIES OF WARRANTOR UNDER THIS WARRANTY:** Repair or replace, at Warrantor's option, compressor or component which is defective, has malfunctioned and/or failed to conform within the duration of the specific warranty period.
8. **RESPONSIBILITIES OF PURCHASER UNDER THIS WARRANTY:**
 - A. Provide dated proof of purchase and maintenance records.
 - B. Portable compressors or components must be delivered or shipped to the nearest Campbell Hausfeld Authorized Service Center. Freight costs, if any, must be borne by the purchaser.
 - C. Use reasonable care in the operation and maintenance of the products as described in the owner's manual(s).
9. **WHEN WARRANTOR WILL PERFORM REPAIR OR REPLACEMENT UNDER THIS WARRANTY:** Repair or replacement will be scheduled and serviced according to the normal work flow at the servicing location, and depending on the availability of replacement parts.

This Limited Warranty applies in the U.S., Canada and Mexico only and gives you specific legal rights. You may also have other rights which vary from State to State or country to country.

S'il vous plaît lire et conserver ces instructions. Lire attentivement avant de monter, installer, utiliser ou de procéder à l'entretien du produit décrit. Se protéger ainsi que les autres en observant toutes les instructions de sécurité, sinon, il y a risque de blessure et/ou dégâts matériels! Conserver ces instructions comme référence.



Compresseur d'Air Portables 1379 kPa

ENREGISTREZ VOTRE PRODUIT EN LIGNE MAINTENANT !

<http://www.chpower.net/reg>

Description

Les compresseurs d'air portatifs sans huile sont conçus pour l'utilisation à la maison et à l'atelier. Le nettoyage ou remplacement du filtre d'arrivée sur tous modèles et le vidange de l'humidité des réservoirs à air font partie de l'entretien exigé.

Directives De Sécurité

Ce manuel contient de l'information très importante qui est fournie pour la SÉCURITÉ et pour ÉVITER LES PROBLÈMES D'ÉQUIPEMENT. Rechercher les symboles suivants pour cette information.

▲ DANGER *Danger indique une situation dangereuse imminente qui MÈNERA à la mort ou à des blessures graves si elle n'est pas évitée.*

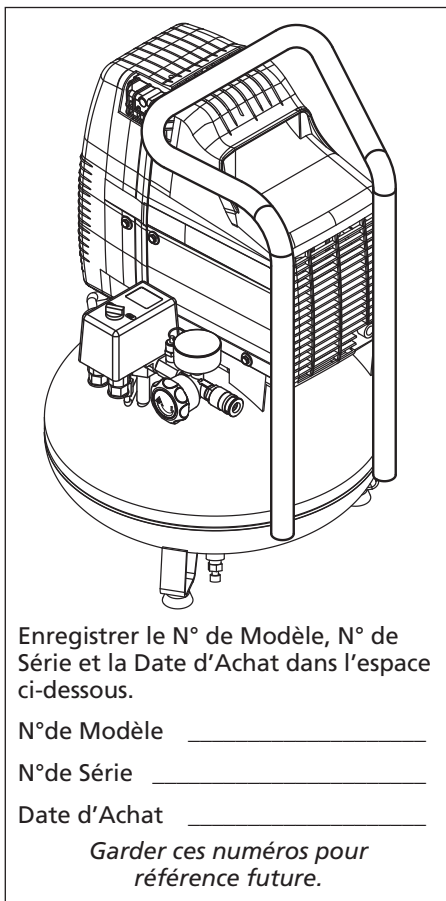
▲ AVERTISSEMENT *Avertissement indique une situation potentiellement dangereuse qui, si elle n'est pas évitée, POURRAIT mener à la mort ou à de graves blessures.*

▲ ATTENTION *Attention indique une situation potentiellement dangereuse qui, si elle n'est pas évitée, PEUT mener à des blessures mineures ou modérées.*

AVIS *Avis indique de l'information importante qui pourrait endommager l'équipement si elle n'est pas respectée.*

Déballage

Lors du déballage, l'examiner soigneusement pour rechercher toute trace de dommage susceptible de s'être produit en cours de transport. Assurer que tous raccords, boulons, etc., dégagés sont serrés avant de mettre ce produit en service. Pour toutes questions, pièces endommagées ou manquantes, appeler le



Enregistrer le N° de Modèle, N° de Série et la Date d'Achat dans l'espace ci-dessous.

N° de Modèle _____

N° de Série _____

Date d'Achat _____

Garder ces numéros pour référence future.

1-800-543-6400 pour le service à la clientèle. Prière d'avoir le numéro de série, numéro de modèle et liste de parties (avec les parties manquantes encerclées) avant d'appeler.



NE PAS RENVoyer LE PRODUIT AU MARCHAND !

▲ AVERTISSEMENT *Ne pas utiliser un modèle qui a été endommagé pendant le transport, la manipulation ou l'utilisation. Le dommage peut résulter en explosion et peut causer des blessures ou dégâts matériels.*

▲ DANGER

Avertissement D'Air Respirable

Ce compresseur n'est pas équipé pour et ne devrait pas être utilisé "comme soi" pour fournir de l'air respirable. Pour les applications d'air pour la consommation humaine, il est nécessaire d'équiper le compresseur d'air/pompe avec de l'équipement de sécurité en canalisation et d'alarme. Cet équipement additionnel est nécessaire pour filtrer et purifier l'air afin d'atteindre les spécifications minimales pour la respiration Grade D décrit dans le Compressed Gas Association Commodity Specification G 7.1 - 1966, OSHA 29 CFR 1910. 134, et/ou Canadian Standards Associations (CSA).

DÉNÉGATION DES GARANTIES
Si le compresseur est utilisé pour les applications d'air respirable et l'équipement de sécurité en canalisation et d'alarme n'est pas utilisé simultanément, les garanties en existence seront annulés, et Campbell Hausfeld nie toute responsabilité pour n'importe quelle perte, blessure personnelle ou dommage.

▲ ATTENTION

Risque d'éclatement!
Ce compresseur est conçu pour fournir une pression d'air jusqu'à 1379 kPa (200 psi). La plupart des accessoires sont conçus pour fonctionner à une pression maximale de moins de 862 kPa (125 psi) NE PAS ajuster le régulateur peut mener à une pression de sortie dépassant la pression maximale indiquée de l'accessoire.



**LIRE ET SUIVRE TOUTES LES INSTRUCTIONS
CONSERVER CES INSTRUCTIONS
NE PAS JETER**

**MÉMENTO: Gardez votre preuve datée d'achat à fin de la garantie!
Joignez-la à ce manuel ou classez-la dans un dossier pour plus de sécurité.**

Généralités Sur La Sécurité

PROPOSITION 65 CALIFORNIE

▲ AVERTISSEMENT *Ce produit ou son cordon peuvent contenir des produits chimiques, y compris du plomb, relevés par l'État de Californie comme cause de cancer, d'anomalies congénitales ou d'autres problèmes reproductifs. Lavez-vous les mains après toute manipulation.*

▲ AVERTISSEMENT *Vous pouvez créer de la poussière en coupant, ponçant, perçant ou meulant les matériaux tels que le bois, la peinture, le métal, le béton, le ciment ou autre maçonnerie. Cette poussière contient souvent des produits chimiques reconnus pour causer le cancer, les déformations congénitales ou autres problèmes de la reproduction. Portez de l'équipement de protection.*



GÉNÉRALITÉS SUR LA SÉCURITÉ

Les compresseurs d'air sont utilisés dans une variété d'applications. Puisque les compresseurs d'air et autres pièces détachées (pompe, pistolets, filtres, graisseurs, tuyaux, etc.) forment un système de pompage de haute pression, observez les précautions de sécurité suivants. Seules les personnes bien familiarisés avec ces règles de sécurité doivent être autorisés à se servir du compresseur.

▲ ATTENTION *Risque*

d'éclatement! Ce compresseur est conçu pour fournir une pression d'air jusqu'à 1 380 kPa (200 psi). La plupart des accessoires sont conçus pour fonctionner à une pression maximale de moins de 862 kPa (125 psi) NE PAS ajuster le régulateur peut mener à une pression de sortie dépassant la pression maximale indiquée de l'accessoire.



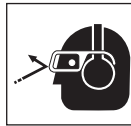
▲ AVERTISSEMENT *Risque de blessure! Ne pas diriger le jet d'air vers le corps.*

▲ AVERTISSEMENT *Seul un électricien qualifié (autorisé ou diplômé) doit effectuer les travaux électriques. Sur un circuit installé correctement, les fils noirs fournissent une tension même si le modèle est hors circuit (OFF).*

1. Lire attentivement tous les manuels d'instructions pour chaque pièce détachée avant d'essayer de monter, démonter ou de faire fonctionner votre système.



2. Utiliser des lunettes de sécurité et la protection auditive pendant l'utilisation du modèle.



3. Ne pas se tenir debout sur/ni utiliser le modèle comme une prise.
4. Ne pas dépasser l'évaluation de pression de n'importe quelle pièce détachée du système.
5. Protéger la tuyauterie et canalisations d'air contre le dommage ou la perforation. Garder les tuyaux et câbles de transport d'énergie à l'écart des objets pointus, déversements chimiques, huiles, solvants et planchers trempés.
6. Ne jamais pointer un pistolet vers soi-même ni vers une autre personne. Le décharge accidentel peut causer des blessures graves.
7. Vérifier les tuyaux pour rechercher tout signe de faiblesse ou d'usure et assurer que tous les raccordements sont sûrs; ne pas utiliser si endommagé. Contacter un centre de service autorisé pour l'inspection ou la réparation.

▲ AVERTISSEMENT *Ne Pas faire fonctionner sans supervision. Laisser le compresseur sur la position ON (marche) peut causer un démarrage accidentel et de possibles dommages par surtension, le mettre sur OFF (arrêt) après chaque utilisation.*

8. Dissiper toute la pression du système lentement; la poussière et le débris peuvent être dangereux.

▲ ATTENTION *Garder les doigts à l'écart du compresseur; les pièces mobiles et chaudes peuvent causer des blessures et/ou des brûlures.*



▲ AVERTISSEMENT *Débrancher et dissiper toute la pression du système avant de procéder à l'entretien du compresseur!*

9. Suivre toutes les codes locaux d'électricité et de sécurité, ainsi que le National Electrical Code (NEC) et le Occupational Safety and Health Act (OSHA).
10. L'installation des fils et fusibles devraient suivre les codes électriques, capacité du courant, et doivent être mis à la terre correctement.
11. Les moteurs électriques doivent être mis à la terre correctement. Voir les instructions de mise à la terre et l'information concernant les cordons prolongateurs dans ce manuel.
12. Toujours débrancher la source d'énergie avant de travailler sur ou près d'un moteur, ou son charge branché. Si l'endroit de débranchement est hors vue, le serrer dans la position ouverte et l'étiquetter pour éviter une application de puissance inattendue.
13. Protéger contre les pièces mobiles; garder les visiteurs à l'écart de l'endroit de travail. Ne jamais permettre les enfants dans l'endroit de travail.
14. Utiliser seulement une prise de courant mise à la terre qui acceptera une fiche à trois broches, et portez des chaussures pour éviter le risque de secousse électrique.

▲ ATTENTION

Prendre précaution de ne pas toucher l'extérieur du moteur car il peut être assez chaud pour causer des blessures.



15. Protéger le câble électrique contre les objets pointus.
16. Nettoyer l'équipement électrique ou électronique avec un produit approuvé tel qu'un solvant de nettoyage sèche qui n'est pas inflammable.

Généralités Sur La Sécurité (Suite)

⚠ AVERTISSEMENT Les moteur, l'équipement électrique et les commandes peuvent



provoquer des arcs électriques qui enflammeront les vapeurs ou les gaz inflammables. Ne jamais faire fonctionner ou réparer l'appareil près de gaz ou vapeur inflammable. Ne jamais ranger de liquides ou gaz inflammables près du compresseur.

17. Pour réduire le risque d'incendie, garder l'extérieur du moteur libre d'huile, de solvant ou de graisse excessive.



18. Mettre au rebut les torchons usés dans les récipients en métal approuvés pour éviter la combustion spontanée.

19. NE JAMAIS rajuster la soupape de sûreté ou le manostat. Garder la soupape de sûreté libre de peinture et autres accumulations. Ceci sert à éviter la sur-pression.

⚠ AVERTISSEMENT Ne jamais enlever ou essayer d'ajuster la soupape de sûreté. Tenir la soupape de sûreté libre de peinture et d'autres accumulations.

20. Suivre l'entretien ordinaire; garder tous les écrous, boulons et vis serrés pour assurer un bon état de marche de l'équipement.

21. Garder tous les torchons de nettoyage et autres produits inflammables dans un récipient en métal fermé et mettre au rebut de manière responsable.

22. Faire couler l'humidité du réservoir quotidiennement. Si le modèle ne serait pas en service pour quelque temps, laisser le robinet de vidange ouvert. Ceci permet que l'humidité se vide complètement et aide à empêcher la corrosion.

23. Vérifier le réservoir quotidiennement pour la rouille, trous d'épingle ou autres imperfections qui peuvent avoir un effet sur la sécurité. NE JAMAIS souder ou percer le réservoir à air.

24. Réservé à l'utilisation résidentielle.

25. Pour réduire le risque de chocs électriques, ne pas exposer à la pluie. Ranger à l'intérieur.

⚠ DANGER Ne jamais enlever ou essayer d'ajuster la soupape de sûreté. Tenir la soupape de sûreté libre de peinture et d'autres accumulations.

⚠ AVERTISSEMENT Purger le réservoir quotidiennement.

PRÉCAUTIONS DE PULVÉRISATION

⚠ AVERTISSEMENT Ne pas pulvériser les matériaux inflammables dans un endroit de flamme ouverte ni près d'une source d'ignition y compris le compresseur.

1. Pour éviter la collection des vapeurs et les risques de santé ou d'incendie, pulvériser dans un endroit bien ventilé.
2. Ne pas pulvériser dans l'endroit d'une flamme ni dans un endroit où une étincelle peut précipiter l'allumage. Ne pas fumer pendant la pulvérisation de la peinture, d'insecticides ou autres produits inflammables.
3. Utiliser un respirateur pendant la pulvérisation.
4. Ne pas diriger la peinture ou autre matériel pulvérisé vers le compresseur. Situer le compresseur aussi loin que possible de l'endroit de pulvérisation pour réduire l'accumulation de surpulvérisation sur le compresseur.

5. Suivre les instructions du fabricant pendant la pulvérisation ou le nettoyage avec des solvants ou produits chimiques toxiques.

6. Ne pas fumer pendant la pulvérisation de la peinture, d'insecticides ou autres matières inflammables.

7. Utiliser un masque/ respirateur pendant la pulvérisation et pulvériser dans un endroit bien ventilé pour éviter le risque de blessures et d'incendie.



8. Ne pas diriger le jet d'air vers le corps.

L'HUMIDITÉ DANS L'AIR COMPRIMÉ

L'humidité dans l'air comprimé forme des gouttelettes en arrivant de la pompe du compresseur. Si l'humidité est élevée ou si le compresseur est utilisé continuellement, cette humidité s'accumulera dans le réservoir. En utilisant un pistolet à peinture ou un pistolet pour décapage au sable, cette eau sera transportée du réservoir par moyen du tuyau, et en forme de gouttelettes hors du tuyau, mélangée avec le matériel utilisé.

IMPORTANT: Cette condensation peut avoir comme résultat des tâches d'eau sur votre travail de peinture, surtout en pulvérisant la peinture qui n'a pas de base d'eau. Pendant la décapage au sable, cette eau servira à tenir le sable ensemble et à causer une obstruction dans le pistolet.

Introduction

Manostat - Interrupteur ON/OFF (⏻) – Dans la position ON, le compresseur se coupe automatiquement quand la pression du réservoir arrive à la pression maximale réglée d'avance. Dans la position OFF, le compresseur ne fonctionnera pas. Cet interrupteur devrait être dans la position OFF (⏻) pendant le branchement ou le débranchement du cordon d'alimentation de la prise de courant.

Régulateur - Le régulateur sert à régler la pression d'air à la sortie de tuyau. Le bouton du régulateur se tourne dans le sens horaire (à droite) pour augmenter la pression d'air à la sortie. Le bouton du régulateur se tourne dans le sens antihoraire (à gauche) pour réduire la pression d'air à la sortie. Pour couper le débit d'air, tourner le bouton complètement dans le sens antihoraire.

Poignée - Conçue pour le déplacement du compresseur.

Soupape de Sûreté ASME - Cette soupape laisse échapper l'air si la pression du réservoir dépasse la pression maximum réglée d'avance.

Tuyau de décharge - Ce tuyau transporte l'air comprimé de la pompe au clapet. Ce tuyau devient très chaud pendant l'utilisation. Pour éviter le risque des brûlures sévères, ne jamais toucher le tuyau de décharge.

Clapet - Une soupape à sens unique qui permet l'arrivée d'air dans le réservoir mais ne permet pas que l'air se recule dans la pompe.

Sortie d'Air - Un raccord rapide conçu pour fonctionner de pair avec une fiche à raccordement rapide pour joindre rapidement et facilement un outil pneumatique à un tuyau à air.

Manomètre(s) - Ces manomètres indiquent la pression d'air dans le réservoir du compresseur et à la sortie du compresseur.

Manomètre de sortie - Ce manomètre indique la pression d'air à la sortie, mesurée en kPa (psi). S'assurer que le manomètre est à ZERO (en tournant le bouton du régulateur complètement dans le sens antihoraire) avant de changer les outils ou de débrancher le tuyau de la sortie d'air.

Manomètre du réservoir - Ce manomètre indique la pression d'air dans le réservoir pendant le fonctionnement du compresseur, ce qui confirme que le compresseur est en train d'augmenter la pression de manière appropriée. Ce manomètre indique la pression maximum du compresseur quand' il s'éteint automatiquement à la pression limite.

Robinet de Purge - Ce robinet se trouve sous le réservoir. Utiliser cette soupape pour purger l'humidité du réservoir quotidiennement afin de réduire le risque de corrosion.

⚠ AVERTISSEMENT *Purger le réservoir quotidiennement.*

Réduire la pression du réservoir sous 69 kPa (10 psi), puis retirer l'humidité du réservoir chaque jour pour éviter sa corrosion. Drainer l'humidité du réservoir en ouvrant le robinet de vidange sous le réservoir.

Installation

ENDROIT

Il est très important d'installer le compresseur dans un endroit propre et bien ventilé où la température n'excédera pas 38°C (100°F).

Un espace libre minimum de 45,7 centimètres (18 po) entre le compresseur et un mur est exigé pour éviter le stoppage d'air par des objets.

⚠ ATTENTION *Ne pas situer la prise d'air du compresseur près de la vapeur, un jet pulvérisé de peinture, endroits de décapage au sable ou autre sources de contamination. Le débris endommagera le moteur.*

Réservé à l'utilisation résidentielle. Ranger à l'intérieur.

INSTALLATION ÉLECTRIQUE

1. Vérifier et serrer tous les boulons, raccords, etc., avant d'utiliser le compresseur.
2. Utiliser le compresseur dans un endroit bien ventilé afin de le refroidir.
3. Situer le compresseur près d'une prise de courant, mais si ceci n'est pas possible, un cordon prolongateur peut être utilisé. Choisissez le cordon prolongateur en utilisant le tableau sur la page 13.
4. Pour éviter une perte de puissance et le surchauffage, utilisez un tuyau d'air additionnel au lieu d'un cordon prolongateur.

INSTALLATION DE FILS

1. Les codes électriques d'installation de fils sont variables d'un endroit à l'autre. Les fils d'alimentation, fiche et protecteurs doivent être classifiés pour au moins l'ampérage et la tension indiqués sur la plaque indicatrice et doit répondre aux codes électriques pour ce minimum.
2. Utiliser une fusée à retardement type T ou un disjoncteur.

⚠ ATTENTION *L'installation de fils insuffisant peut causer le surchauffage, court-circuit et le dommage d'incendie.*

⚠ AVERTISSEMENT *Seul un électricien qualifié doit effectuer l'installation électrique et raccordements électriques. Respecter toutes les codes locaux et nationales de l'électricité.*

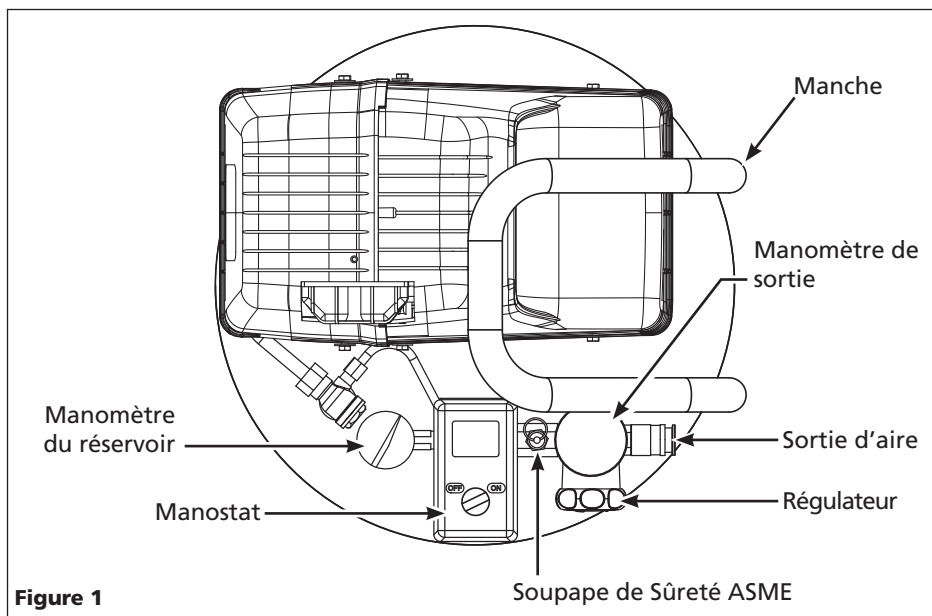


Figure 1

Installation (Suite)

REMARQUE: Les modèles de 120 volts, compresseur peuvent fonctionner sur un circuit de 120 volts, 15 ampères sous les conditions suivants:

- Aucun autre appareil électrique ou lumière est connecté au même branchement.
 - L'alimentation en tension est normale.
 - Les cordons prolongateurs correspondent au moins avec le calibre minimum exigé dans ce manuel d'instructions.
 - Le circuit est équipé avec un disjoncteur de 15 ampères ou une fusée à retardement de type T de 15 ampères.
3. S'il n'est pas possible d'atteindre les conditions ci-dessus ou si le déclenchement du protecteur de courant est fréquent, il peut être nécessaire d'utiliser un circuit de 120 volts, 20 ampères.

INSTRUCTIONS DE MISE À LA TERRE

Ce produit doit être mis à la terre. Dans l'événement d'un court-circuit, la mise à la terre diminue le risque de secousse électrique en fournissant un fil d'échappement pour le courant électrique. Ce produit est équipé avec un cordon qui a un fil de terre avec une fiche de terre. La fiche doit être branchée dans une prise de courant qui a été installée et mise à la terre correctement en respectant tous les codes et règlements locaux.

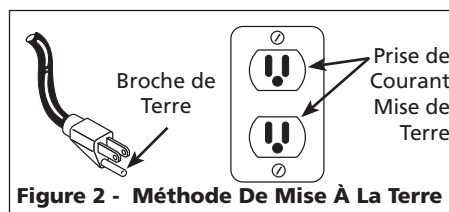
⚠ AVERTISSEMENT *Une mauvaise installation de la prise mise à la terre peut créer un risque de chocs électriques. S'il faut remplacer ou réparer le cordon électrique ou la fiche, ne pas brancher le fil de terre à l'une ou l'autre borne de lame plate. Le fil à l'isolant vert à l'extérieur, avec ou sans rayures jaunes, est le fil de terre.*

⚠ DANGER *Ne pas utiliser d'adaptateur de mise à la terre avec ce produit!*

⚠ AVERTISSEMENT *Ne jamais connecter le fil vert (ou vert et jaune) à une borne électrisé.*

Consulter un électricien ou réparateur qualifié si vous ne comprenez pas toutes les instructions ou si vous n'êtes pas certain que le produit est bien mis à la terre. Ne pas modifier la fiche fournie si elle n'entre pas correctement

dans la prise, faire installer une prise convenable par un électricien qualifié. Ce produit est conçu pour être utilisé avec un circuit nominal de 120 volts et a une fiche de terre semblable à celle illustrée dans la Figure 2. Brancher le produit seulement à une prise de la même configuration que la fiche. Ne pas utiliser d'adaptateur avec ce produit.



CORDONS PROLONGATEURS

AVIS *Pour éviter une perte de puissance et le surchauffage, il est prudent d'utiliser un tuyau additionnel au lieu d'un cordon prolongateur.*

Utiliser seulement les rallonges à 3 fils à fiches à 3 broches qui se branchent dans des prises à 3 fentes et vérifier que ces rallonges conviennent à la fiche du produit. Vérifier que la rallonge n'est pas endommagée. En utilisant une rallonge, s'assurer d'en utiliser une suffisamment lourde pour transporter le courant que votre produit débite. Un cordon sousdimensionné provoquera une chute de tension de ligne menant à une perte de courant et à une surchauffe. [Le tableau ci-après montre la bonne taille à utiliser selon la longueur du cordon et la valeur nominale d'ampères de la plaque signalétique. S'il y a des doutes, utiliser le calibre suivant plus lourd. Plus le chiffre du calibre est petit et plus lourd sera le cordon.]

* Guide de Fils et Bornes

Fil	Couleur	Borne	Chaud
Cordon d'alimentation	Blanc	Ligne	Non
Cordon du moteur	Blanc	Charge	Non
Cordon d'alimentation	Noir	Ligne	Oui
Cordon du moteur	Noir	Charge	Oui

(*) Quand le modèle ne fonctionne pas

Jauge minimale des rallonges

Longueur du Cordon	7,62 m	15,24 m	30,48 m
Calibre	14	12	10

Fonctionnement

AVANT LE PREMIER DÉMARRAGE PROCÉDURE DE RÔDAGE

Cette procédure doit être terminée avant d'utiliser le compresseur pour la première fois. Ensuite, il n'est pas nécessaire de la refaire.

- Mettre l'interrupteur Marche/Arrêt (⏻) à la position "OFF" (ARRÊT) (○).
- Ouvrez le robinet de purge de réservoir.
- Brancher le cordon d'alimentation.
- Mettre l'interrupteur Marche/Arrêt (⏻) à la position "ON" (marche) (⏻) et faire fonctionner le compresseur pendant 30 minutes.
- Mettre l'interrupteur Marche/Arrêt (⏻) à la position "OFF" (ARRÊT) (○).
- Débrancher le cordon d'alimentation.
- Fermer le robinet de vidange.

Le compresseur est maintenant prêt à être utilisé.

AVANT CHAQUE DÉMARRAGE PROCÉDURE DE FONCTIONNEMENT

- Tourner le bouton du régulateur complètement vers la gauche, dans le sens contraire des aiguilles d'une montre.
- Connecter le tuyau d'air à la sortie du régulateur.
- Mettre l'interrupteur Marche/Arrêt (⏻) à la position "OFF" (ARRÊT) (○).
- Brancher le cordon d'alimentation.
- Mettre l'interrupteur Marche/Arrêt (⏻) à la position "ON" (marche) (⏻) et faire fonctionner le compresseur jusqu'à ce qu'il atteigne la pression d'arrêt automatique.

Functionnement (Suite)

- Fixer le mandrin de pneu ou l'outil à l'extrémité du tuyau.
- Ajuster le régulateur à la bonne pression pour l'outil ou le pneu. Utiliser l'outil conformément aux instructions.

Au fur et à mesure que l'air du réservoir est épuisé par le mandrin ou l'outil, etc., le compresseur se met en marche automatiquement à la pression préréglée d'enclenchement. Quand on utilise un outil continuellement, le compresseur commencera un cycle automatique de marche/arrêt.

- Quand on a terminé d'utiliser le compresseur, tourner l'interrupteur à la position "OFF" (ARRÊT) (○), débrancher le cordon d'alimentation et vidanger le réservoir d'air.

⚠ ATTENTION

Risque d'éclatement! Ce compresseur est conçu pour fournir une pression d'air jusqu'à 1380 kPa (200 psi). La plupart des accessoires sont conçus pour fonctionner à une pression maximale de moins de 862 kPa (125 psi) NE PAS ajuster le régulateur peut mener à une pression de sortie dépassant la pression maximale indiquée de l'accessoire.



Entretien

⚠ AVERTISSEMENT

Débrancher de la source de puissance et ensuite dissiper toute la pression du système avant d'essayer d'installer, de réparer, de déplacer ou de procéder à l'entretien. L'entretien doit être réalisé seulement par un représentant de service autorisé.

Inspecter le compresseur soûvant et suivre les procédés d'entretien suivants pendant chaque utilisation du compresseur.

SOUPEPE DE SÛRETÉ ASME

⚠ AVERTISSEMENT

Ne jamais enlever ou essayer

d'ajuster la soupape de sûreté! Tenir la soupape de sûreté libre de peinture et d'autres accumulations.

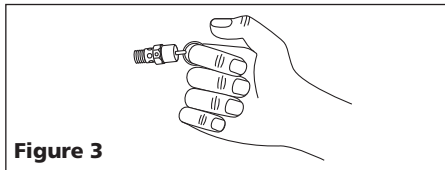


Figure 3

Vérifier la soupape de sûreté de la manière suivante :

- Brancher le compresseur et le faire fonctionner jusqu'à ce qu'il atteigne la pression d'arrêt (voir procédure de fonctionnement).
- Porter des lunettes de sécurité, tirer l'anneau sur la soupape de sûreté (voir les Figure 3) pour dégager la pression du réservoir du compresseur. Utiliser l'autre main pour éloigner l'air se déplaçant rapidement du visage.
- La soupape de sûreté se fermera automatiquement à environ 276 à 345 kPa (40 à 50 psi). Si la soupape ne laisse pas sortir l'air en tirant sur l'anneau, ou si elle ne se ferme pas automatiquement, il FAUT la remplacer.

⚠ AVERTISSEMENT

S'il y a une fuite après que la soupape soit lâchée ou si la soupape ne fonctionne pas, elle devrait être remplacée.

PURGER LE RÉSERVOIR

Avec le compresseur hors circuit et la pression dissipée, purger l'humidité du réservoir en ouvrant le robinet de purge sous le réservoir.

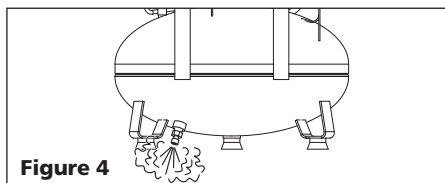


Figure 4

NETTOYAGE

Tourner le bouton (de puissance) OFF et nettoyer la poussière et la saleté du moteur, réservoir, canalisations d'air et des ailettes du refroidisseur.

IMPORTANT : Situer le modèle aussi loin de l'endroit de pulvérisation que possible afin d'empêcher que le filtre devienne obstrué par la surpulvérisation.

FILTRE D'AIR

Vérifier si le filtre d'air est propre. Enlever le couvercle du carter de filtre, enlever le filtre et le laver avec de l'eau chaude et savonneuse (ne pas laver les filtres en papier). Rincer et sécher. Remplacer les filtres qui ne peuvent

pas être nettoyés. Placer le filtre dans la base du carter et remplacer le couvercle.

GRAISSAGE

Ce modèle "sans huile" n'exige pas de graissage.

PROTECTEUR DE SURCHARGE THERMIQUE

Fermer le pressostat ou débrancher le compresseur pendant 20 minutes et le laisser refroidir. L'appareil réinitialiser. Éteindre l'appareil (OFF) (○), puis mettre en marche (ON) (I) et continuer la travail.

⚠ AVERTISSEMENT **Ce compresseur est doté d'un protecteur de surcharge thermique à réarmement manuel qui coupera le moteur s'il surchauffe.**

Si le protecteur de surcharge thermique coupe le moteur (off) à maintes reprises, vérifier pour les causes suivants.

- Tension basse.
- Calibre de fil ou taille de cordon prolongateur incorrect.
- Filtre d'air obstrué.
- Ventilation insuffisante.

⚠ AVERTISSEMENT

Le moteur doit se refroidir avant le démarrage si possible. Le moteur se relancera sans avis si branché dans une prise de courant et s'il est en marche (ON).

CONCLUSION DU TRAVAIL/ ENTREPOSAGE

- Mettre l'interrupteur Marche/Arrêt (⊕) à la position "OFF" (ARRÊT) (○).
- Débrancher le cordon d'alimentation de la prise et l'enrouler autour du manche pour éviter de l'endommager pendant l'entreposage.
- En portant des lunettes de sécurité, vidanger l'air du réservoir en tirant l'anneau de la soupape de sécurité. À l'aide de l'autre main, détourner l'air se déplaçant rapidement, pour protéger le visage.
- Vidanger le réservoir de toute condensation en ouvrant le robinet de vidange au fond du réservoir. La pression du réservoir doit être sous 69 kPa quand on vidange le réservoir.
- Le tuyau doit être débranché du compresseur et suspendu avec les bouts ouverts face en bas pour laisser couler toute humidité.
- Le compresseur et le tuyau doivent être rangés dans un endroit frais et sec.

Guide De Dépannage

Symptôme	Cause(s) Possible(s)	Mesures Correctives
Le compresseur ne fonctionne pas	<ol style="list-style-type: none"> 1. Manque de puissance électrique 2. Disjoncteur déclenché 3. Manostat en panne 4. Le moteur a travaillé excessivement. 5. La pression du réservoir se trouve au-dessus de la limite de coupure 	<ol style="list-style-type: none"> 1. Modèle branché? L'interrupteur est-il sur la position ON? Vérifier le fusible/disjoncteur 2. Rajuster et trouver la source du problème 3. Remplacer 4. Éteindre l'unité, laisser refroidir, mettre en marche. 5. Purger la pression du réservoir jusqu'à la limite de coupure.
Fusibles sautés/ le disjoncteur se déclenche à maintes reprises	<ol style="list-style-type: none"> 1. Taille de fusible incorrect, surcharge 2. Utilisation de rallonge - Calibre inadéquat de la rallonge et/ou rallonge trop longue. 3. Soupape de retenue usée 4. Soupape de décharge défectueuse (sur le manostat) 5. Condensateur(s) de moteur défectueux 6. Moteur défectueux 	<ol style="list-style-type: none"> 1. Vérifier le type de fusible, utiliser un fusible à retardement. Débrancher les autres appareils électriques du circuit ou faire fonctionner le compresseur sur un circuit unique. 2. Retirer la rallonge ou se reporter au Tableau de Rallonges, page 13 Fr. 3. Remplacer la soupape de retenue 4. Remplacer la soupape de décharge. 5. Remplacer le condensateur(s). 6. Remplacer le moteur <p>⚠ DANGER <i>Ne pas démonter le clapet s'il y a de l'air dans le réservoir; purger le réservoir.</i></p>
Perte de pression dans le réservoir à air quand le compresseur se coupe	<ol style="list-style-type: none"> 1. Raccordements dégagés (raccords, tuyaux, etc.) 2. Ouvrir le robinet de vidange du réservoir 	<ol style="list-style-type: none"> 1. Vérifier tous les raccordements avec de l'eau savonneuse. Resserrer; ou retirer et appliquer aux filets un produit scellant ou de ruban pour filets, puis remonter. 2. Fermer le robinet de vidange du réservoir
Débit d'air plus bas que normal/ pression de décharge basse	<ol style="list-style-type: none"> 1. Utilisation d'air excessive 2. Filtre d'entrée obstrué 3. Ouvrir le robinet de vidange du réservoir 4. Fuites d'air dans la tuyauterie (sur le modèle ou dans le système extérieur) 5. Anneau de piston usé 6. Soupape brisée (dans la pompe) 	<ol style="list-style-type: none"> 1. Réduire l'utilisation d'air; le compresseur n'est pas assez large pour la demande d'air 2. Nettoyer ou remplacer le filtre 3. Fermer le robinet de vidange du réservoir 4. Vérifier tous les raccordements avec de l'eau savonneuse. Resserrer; ou retirer et appliquer aux filets un produit scellant ou de ruban pour filets, puis remonter. 5. Remplacer 6. Remplacer la soupape
Humidité excessive dans l'air de débit	<ol style="list-style-type: none"> 1. Eau excessive dans le réservoir 2. Humidité élevée 	<ol style="list-style-type: none"> 1. Purger le réservoir 2. Déplacer à un endroit moins humide; utiliser un filtre en canalisation d'air
Le compresseur fonctionne continuellement	<ol style="list-style-type: none"> 1. Manostat défectueux 2. Utilisation d'air excessive 	<ol style="list-style-type: none"> 1. Remplacer le manostat 2. Réduire l'utilisation d'air; le compresseur n'est pas assez large pour la demande d'air
Le moteur ronron mais ne peut pas fonctionner ou fonctionne lentement	<ol style="list-style-type: none"> 1. Surcharge de circuit 2. Utilisation de rallonge - Calibre inadéquat de la rallonge et/ou rallonge trop longue. 3. Connexions électriques dégagées 4. Soupape de retenue usée 5. Soupape de décharge défectueuse (sur le manostat) 6. Condensateur(s) de moteur défectueux 7. Moteur défectueux 	<ol style="list-style-type: none"> 1. Débrancher les autres appareils électriques du circuit ou faire fonctionner le compresseur sur un circuit réservé. 2. Retirer la rallonge ou se reporter au Tableau de Rallonges, page 13 Fr. 3. Vérifier tous les connexions électriques 4. Remplacer la soupape de retenue 5. Remplacer la soupape de décharge. 6. Remplacer le condensateur(s). 7. Remplacer le moteur <p>⚠ DANGER <i>Ne pas démonter le clapet s'il y a de l'air dans le réservoir; purger le réservoir.</i></p>
Le protecteur de surcharge thermique se déclenche à maintes reprises	<ol style="list-style-type: none"> 1. Manque de ventilation adéquate/ température ambiante trop élevée. 2. Filtre d'air obstrué 3. Surcharge de circuit 4. Utilisation de rallonge - Calibre inadéquat de la rallonge et/ou rallonge trop longue. 5. Soupape de retenue usée 6. Soupape de décharge défectueuse (sur le manostat) 7. Moteur défectueux 	<ol style="list-style-type: none"> 1. Déplacer le moteur dans un endroit bien ventilé 2. Nettoyer ou remplacer 3. Vérifier le type de fusible, utiliser un fusible à retardement. Débrancher les autres appareils électriques du circuit ou faire fonctionner le compresseur sur un circuit réservé. 4. Retirer la rallonge ou se reporter au Tableau de Rallonges, page 13 Fr. 5. Remplacer la soupape de retenue 6. Remplacer la soupape de décharge. 7. Remplacer le moteur <p>⚠ DANGER <i>Ne pas démonter le clapet s'il y a de l'air dans le réservoir; purger le réservoir.</i></p>

Garantie Limitée

1. DURÉE: À partir de la date d'achat par l'acheteur original comme suit : Un An.
2. GARANTIE ACCORDÉE PAR (GARANT): Campbell Hausfeld/Scott Fetzer Company, 100 Production Drive, Harrison, Ohio, 45030, Téléphone: (800) 543-6400.
3. BÉNÉFICIAIRE DE CETTE GARANTIE (ACHETEUR): L'acheteur original (sauf en cas de revente) du produit Campbell Hausfeld.
4. PRODUITS COUVERTS PAR CETTE GARANTIE: Ce compresseur d'air Campbell Hausfeld.
5. COUVERTURE DE LA PRÉSENTE GARANTIE: Défauts de matière et de fabrication considérables avec les exceptions indiquées ci-dessous.
6. LA PRÉSENTE GARANTIE NE COUVRE PAS:
 - A. Les garanties implicites, y compris celles de commercialisabilité et D'ADAPTION À UNE FONCTION PARTICULIÈRE SONT LIMITÉES À PARTIR DE LA DATE D'ACHAT INITIALE TELLE QU'INDIQUÉE DANS LA SECTION DURÉE. Si ce compresseur d'air est utilisé pour une fonction commerciale ou pour la location, la durée de la garantie sera quatre-vingt-dix (90) jours à compter de la date d'achat. Certaines Provinces /Certains États ne permettent pas de limitations de durée pour les garanties implicites, donc les limitations précédentes peuvent ne pas s'appliquer dans ce cas.
 - B. TOUT DOMMAGE, PERTE OU DÉPENSE FORTUIT OU INDIRECT POUVANT RÉSULTER DE TOUT DÉFAUT, PANNE OU MAUVAIS FONCTIONNEMENT DU PRODUIT CAMPBELL HAUSFELD. Quelques Provinces (États) n'autorisent pas l'exclusion ni la limitation des dommages fortuits ou indirects. La limitation ou l'exclusion précédente peut ne donc pas s'appliquer.
 - C. Toute panne résultant d'un accident, d'une utilisation abusive, de la négligence ou d'une utilisation ne respectant pas les instructions données dans le(s) manuel(s) accompagnant le produit.
 - D. Service avant livraison; par ex. le montage, l'huile ou les lubrifiants et les réglages.
 - E. Articles ou services qui sont exigés pour l'entretien normal du produit; par ex. lubrifiants, filtres et joints d'étanchéités.
 - F. Les moteurs à essence et les pièces détachées sont expressément exclus de cette garantie limitée. L'acheteur doit observer la garantie du fabricant de moteur qui est fournie avec le produit.
 - G. Articles supplémentaires qui ne sont pas couverts sous cette garantie:
 1. Tous les Compresseurs
 - a. Toutes pièces détachées endommagées pendant l'expédition, n'importe quelle panne causée par un montage ou fonctionnement du modèle sous des conditions qui ne conforment pas aux directives de montage et de fonctionnement ou dommage causée par le contact avec les outils ou les alentours.
 - b. La panne de la pompe ou de la soupape causée par la pluie, l'humidité excessive, un environnement corrosif ou autres polluants.
 - c. Les défauts de forme qui n'ont pas d'effet sur le fonctionnement du compresseur.
 - d. Tanques enferrujados, incluindo mas não limitados a ferrugem devido a drenagem inadequada ou ambientes corrosivos.
 - e. Les moteurs électriques, les clapets, et les manostats.
 - f. Robinets de vidange.
 - g. Dommage dû à la tension ou installation de fils incorrecte.
 - h. Autres articles pas indiqués mais considérés pièces à fatigue générales.
 - i. Manostats, régulateurs d'air et soupapes de sûreté qui ont été modifiés d'après les réglages de l'usine.
 2. Compresseurs Graissés
 - a. Usure de la pompe ou dommage aux soupapes causé par l'utilisation d'huile non-spécifiée.
 - b. Usure de la pompe ou dommage aux soupapes causé par toute contamination d'huile ou par le manque de suivre les directives d'entretien d'huile.
 3. Commande par Courroie / Commande Directe / Compresseurs à Essence
 - a. Courroies
 - b. Usure de bagues causée par l'entretien de filtre insuffisant
 - c. Appareils manuels de chargement/déchargement et appareils de commande d'obturateur.
7. RESPONSABILITÉS DU GARANT AUX TERMES DE CETTE GARANTIE: Réparation ou remplacement, au choix du Garant, d'un compresseur ou d'une pièce détachée qui se sont révélés défectueux ou qui ne se sont pas conformés pendant la durée de validité de la garantie.
8. RESPONSABILITÉS DE L'ACHETEUR AUX TERMES DE CETTE GARANTIE:
 - A. Fournir une preuve d'achat datée et un état d'entretien.
 - B. La livraison ou expédition des compresseurs portatifs ou des pièces détachées au Centre De Service Autorisé Campbell Hausfeld. Taux de frais, si applicables, sont la responsabilité de l'acheteur.
 - C. Utilisation et entretien du produit avec un soin raisonnable, ainsi que le décrit le(s) manuel(s) d'utilisation.
9. RÉPARATION OU REMPLACEMENT EFFECTUÉ PAR LE GARANT AUX TERMES DE LA PRÉSENTE GARANTIE: La réparation ou le remplacement sera prévu et exécuté en fonction de la charge de travail dans le centre de service et dépendra de la disponibilité des pièces de rechange.

Cette Garantie Limitée s'applique aux É.-U., au Canada et au Mexique seulement et vous donne des droits juridiques précis. L'acheteur peut également jouir d'autres droits qui varient d'une Province, d'un État ou d'un Pays à l'autre.

Por favor lea y guarde estas instrucciones. Léalas cuidadosamente antes de tratar de montar, instalar, operar o dar mantenimiento al producto aquí descrito. Protéjase usted mismo y a los demás observando toda la información de seguridad. ¡El no cumplir con las instrucciones puede ocasionar daños, tanto personales como a la propiedad! Guarde estas instrucciones para referencia en el futuro.



Compresor de Aire Portátiles de 13,79 bar

¡REGISTRE SU PRODUCTO EN LÍNEA AHORA MISMO!

<http://www.chpower.net/reg>

Descripción

Los compresores de aire portátiles sin aceite se pueden usar para trabajos domésticos y de taller. Todos los modelos requieren que le limpien o reemplacen el filtro de entrada y le drenen el tanque como parte del mantenimiento cotidiano.

Medidas De Seguridad

Este manual contiene información que es muy importante que sepa y comprenda. Esta información se la suministramos como medida de SEGURIDAD y para EVITAR PROBLEMAS CON EL EQUIPO. Debe reconocer los siguientes símbolos.

▲ PELIGRO Peligro indica una situación inminentemente peligrosa, que si no se evita, dará como resultado la muerte o lesiones graves.

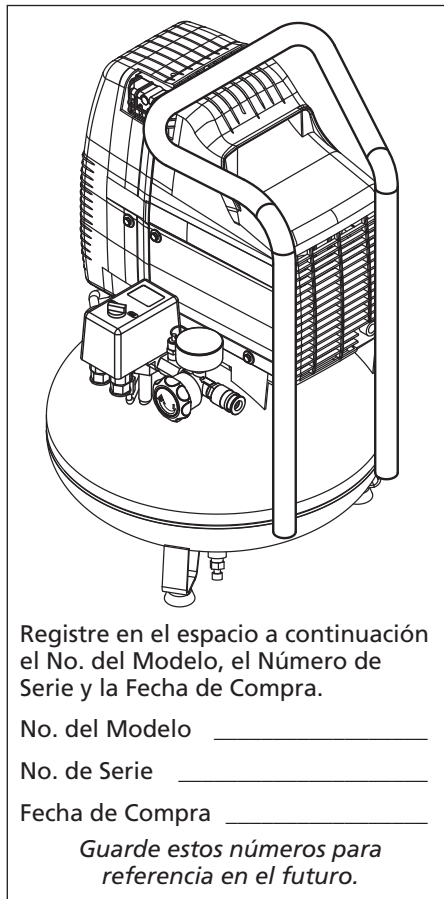
▲ ADVERTENCIA Advertencia indica una situación potencialmente peligrosa, que si no se evita, PODRÍA ocasionar la muerte o lesiones graves.

▲ PRECAUCION Precaución indica una situación potencialmente peligrosa, que si no se evita, PUEDE dar como resultado lesiones leves o moderadas.

AVISO Aviso indica una información importante, que de no seguirla, le podría ocasionar daños al equipo.

Para Desempacar

Al desempacar este producto, revíselo con cuidado para cerciorarse de que esté en perfecto estado. Antes de usarlo, cerciórese de que todas las conexiones y pernos estén bien apretados. En caso de preguntas, piezas dañadas o faltantes, sírvase llamar al



Registre en el espacio a continuación el No. del Modelo, el Número de Serie y la Fecha de Compra.

No. del Modelo _____

No. de Serie _____

Fecha de Compra _____

Guarde estos números para referencia en el futuro.

1-800-543-6400 por asistencia al cliente. Tenga a mano el número de serie, el número del modelo y la lista de partes (con las partes que faltan marcadas con un círculo) antes de llamar.



NE PAS RENVOYER LE PRODUIT AU MARCHAND!

▲ ADVERTENCIA No debe utilizar la unidad si se ha dañado durante el envío, manejo o uso. Los daños podrían ocasionar una explosión y ocasionarle heridas o daños a su propiedad.

▲ PELIGRO

Advertencia sobre el aire respirable

Este compresor/cabezal no viene listo de fábrica para suministrarle aire respirable. Antes de utilizarlos con este fin deberá instalarle un sistema de seguridad y alarma incorporado a la línea. Este sistema adicional es necesario para filtrar y purificar el aire adecuadamente para cumplir con las especificaciones mínimas sobre aire respirable de Grado D descritas en la Especificación de Productos G 7.1 - 1966 de la Asociación de Aire Comprimido. Igualmente, deberá cumplir los requisitos establecidos por el Artículo 29 CFR 1910. 134 de la Organización norteamericana OSHA y/o la Canadian Standards Associations (CSA).

RENUNCIA A LAS GARANTIAS Si el compresor se utiliza para producir aire respirable SIN haberle instalado el sistema de seguridad y alarma, todas la garantías se anularán y la compañía Campbell Hausfeld no asumirá NINGUNA responsabilidad por pérdidas, heridas personales o daños.

▲ PRECAUCION

¡Riesgo de explosión! Este compresor está diseñado para proporcionar una presión de aire de hasta 13,79 bar (200 psi). La mayoría de los accesorios están diseñados para funcionar a una presión máxima de menos de 6,62 bar (125 psi). NO ajuste el regulador para que resulte en una presión de salida mayor que la que se marca como presión máxima del accesorio.



LEA Y SIGA TODAS LAS INSTRUCCIONES GUARDE ESTAS INSTRUCCIONES NO LAS DESECHE

RECORDATORIO: ¡Guarde su comprobante de compra con fecha para fines de la garantía! Adjúntela a este manual o archívela en lugar seguro.

Generales de Seguridad

PROPOSICIÓN DE CALIFORNIA 65

⚠ ADVERTENCIA Este producto o su cable de corriente pueden contener químicos, incluido plomo, que es conocido por el Estado de California como causante de cáncer y defectos de nacimiento u otros daños reproductivos. Lávese las manos después de manipularlo.

⚠ ADVERTENCIA

Cuando corta lija, taladra o pule materiales como por ejemplo madera, pintura, metal, hormigón, cemento, u otro tipo de mampostería se puede producir polvo. Con frecuencia este polvo contiene productos químicos que se conocen como causantes de cáncer, defectos congénitos u otros daños reproductivos. Use equipo de protección.



INFORMACIONES GENERALES DE SEGURIDAD

Los compresores de aires se utilizan en una variedad de aplicaciones. Como el compresor de aire y otros componentes usados (bomba de material, pistolas pulverizadoras, filtros, lubricadores, mangueras, etc.) intengran un sistema de alta presión, en todo momento deberá seguir las siguientes medidas de seguridad.

⚠ PRECAUCION

¡Riesgo de explosión! Este compresor está diseñado para proporcionar una presión de aire de hasta 13,79 bar (200 psi). La mayoría de los accesorios están diseñados para funcionar a una presión máxima de menos de 6,62 bar (125 psi). NO ajuste el regulador para que resulte en una presión de salida mayor que la que se marca como presión máxima del accesorio.

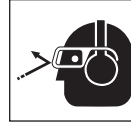


⚠ ADVERTENCIA ¡Riesgo de lesión! No dirija el flujo de aire hacia el cuerpo.

⚠ ADVERTENCIA Todos los trabajos de electricidad

los debe hacer un electricista calificado (con licencia o certificación). En los circuitos conectados adecuadamente los cables negros podrían suministrar tensión inclusive cuando la unidad esté desconectada.

1. Lea con cuidado todos los manuales incluidos con este producto antes de tratar de ensamblar, desman-telar o utilizar el sistema.
2. Siempre use anteojos de seguridad y protéjase los oídos para operar el cabezal o el compresor.



3. No se encaramo sobre el cabezal, ni lo use para sostenerse.
4. No exceda la presión máxima de ninguno de los componentes del sistema.
5. Proteja las líneas de material y de aire contra daños y roturas. Mantenga las mangueras y cordones alejados de objetos afilados, derrames químicos solventes de aceite y pisos húmedos.
6. Nunca apunte la pistola pulverizadora hacia nadie. Podría ocurrir un accidente y ocasionarle heridas de gravedad.
7. Antes de cada uso, revise las mangueras para ver si están deterioradas o hay fugas. Antes de usarlo cerciórese de que las conexiones estén bien apretadas y no lo use si encuentra irregularidades. Notifíquelo a un centro de servicio autorizado para que lo chequen o reparen.

⚠ ADVERTENCIA No lo haga funcionar sin supervisión El dejar el compresor en la posición ON (encendido) puede causar que se encienda inadvertidamente. Para prevenir que eso ocurra y posibles daños por un aumento de tensión, apague el compresor después de cada uso.

8. Libere el aire lentamente; de lo contrario éste podría levantar polvo y desperdicios que podrían ocasionarle daños.

⚠ PRECAUCION

Mantenga los dedos alejados del socompresor cuando esté funcionando; las piezas en movimiento o calientes, le ocasionarían heridas y/o quemaduras.



⚠ ADVERTENCIA ¡Desconecte la unidad y libere la presión del sistema antes de darle servicio al compresor!

9. Siga todos los códigos de electricidad y seguridad locales y nacionales al igual que las medidas de seguridad laboral.
10. Las conexiones eléctricas y fusibles deben estar conectadas a tierra adecuadamente, seguir los códigos locales de electricidad y no sobrepasar las capacidades.
11. Los motores eléctricos deben asegurarse bien y estar conectados a tierra adecuadamente. Vea las instrucciones para conectar a tierra y la información sobre cordones de extensión en este manual.
12. Siempre desconecte la unidad antes de hacer trabajos en el motor o áreas cercanas. Si el tomacorrientes se encuentra fuera de su alcance, cerciórese de que el interruptor esté asegurado para que no se encienda accidentalmente.
13. Proteja todas las piezas en movimiento y mantenga a los visitantes alejados. Nunca permita la presencia de niños en el área de trabajo.
14. Sólo use tomacorrientes adecuados que estén conectados a tierra y use zapatos aislantes para evitar electrocutamiento.

⚠ PRECAUCION

Tenga cuidado al tocar la parte externa del motor encendido; éste podría estar muy caliente y ocasionarle heridas.



15. Evite que el cordón eléctrico tenga contacto con objetos afilados.
16. Limpie los equipos eléctricos o electrónicos con agentes aprobados tales como solventes secos no inflamables.

Generales de Seguridad (Continuación)

⚠ ADVERTENCIA

Los motores, equipos eléctricos y controles pueden ocasionar arcos eléctricos que encenderían gases o vapores inflamables. Nunca maneje ni repare la unidad en las proximidades de gases o vapores inflamables. Nunca almacene líquidos o gases inflamables cerca del compresor.



17. Para reducir el peligro de incendio, mantenga el exterior del motor libre de aceite, solventes o exceso de grasa.



18. Para evitar la combustión espontánea tire los trapos que usó para limpiar en envases de metal aprobados para este tipo de desperdicios.

19. NUNCA modifique la válvula de seguridad o el presostato. Evite la acumulación de pintura u otras sustancias en la válvula de seguridad. Ésto evita el peligro de exceso de presión.

⚠ ADVERTENCIA

Nunca debe desconectar o tratar de ajustar las válvulas de seguridad. Igualmente, debe evitar que se le acumule pintura u otros materiales.

20. Siempre debe darle el mantenimiento necesario; mantenga todas las tuercas, pernos y tornillos bien apretados para cerciorarse de que el equipo esté en buenas condiciones de funcionamiento.

21. Mantenga los trapos para limpiar y otros desperdicios inflamables en envases de metal cerrados herméticamente y posteriormente tire la basura adecuadamente.

22. Drene el tanque diariamente. Si no piensa usar el compresor por un tiempo, es preferible que deje la llave de salida abierta hasta que lo vaya a usar una vez más. Ésto permitirá que el tanque se drene completamente y ayudará a evitar que se oxide por dentro.

23. Anualmente inspeccione el tanque para ver si está oxidado o tiene agujeros u otros defectos que podrían hacerlo inseguro. NUNCA solde o le abra agujeros al tanque.

24. Solo para uso doméstico.

25. Para reducir el riesgo de choque eléctrico, no exponga a la lluvia. Guarde bajo techo.

⚠ PELIGRO

Ne jamais essayer de réparer ou de modifier un réservoir! Le soudage, perçage ou autre modifications peuvent affaiblir le réservoir et peuvent résulter en dommage de rupture ou d'explosion. Toujours remplacer un réservoir usé, fendu ou endommagé.

⚠ ADVERTENCIA

Drene el tanque diariamente.

PRÉCAUTIONS DE PULVÉRISATION

⚠ ADVERTENCIA

Nunca rocíe materiales inflamables cerca de llamas al descubierto o fuentes de ignición incluyendo el compresor.

1. Rocíe en áreas bien ventiladas para evitar la acumulación de humos nocivos a la salud y evitar peligro de incendio.
2. No rocíe cerca de llamas al descubierto o en otros sitios donde chispas puedan ocasionar incendios. No fume al rociar pinturas, insecticidas u otras sustancias inflamables.
3. Use un respirador para rociar.

4. Nunca rocíe la pintura y otros materiales, directamente hacia el compresor. Coloque el compresor lo más lejos posible del área de trabajo, para minimizar la acumulación de residuos en el compresor.

5. Al rociar o limpiar con solventes o químicos tóxicos, siga las instrucciones del fabricante de dichos químicos.

6. No fume mientras esté rociando pintura, insecticidas u otras sustancias inflamables.

7. Use una máscara / respirador cuando vaya a rociar y siempre rocíe en un área bien ventilada para evitar peligros de salud e incendios.



8. No dirija el flujo de aire hacia el cuerpo.

HUMEDAD EN EL AIRE COMPRIMIDO

La humedad que se acumula en el aire comprimido se convierte en gotas a medida que sale del cabezal del compresor de aire. Cuando el nivel de humedad es muy alto o cuando el compresor ha estado en uso continuo por mucho tiempo, ésta se acumulará en el tanque. Al usar una pistola pulverizadora de pintura o una rociadora de arena, la misma saldrá a través de la manguera mezclada con el material que esté rociando.

IMPORTANTE: Esta condensación ocasionara manchas en la superficie pintada, especialmente cuando este pulverizando pinturas que no sean a base de agua. Al rociar arena esta ocasionara que la arena se aglutine y obstruya la pistola, reduciendo su eficacia. Para eliminar este problema, coloque un filtro en la línea de aire, lo más cerca posible de la pistola.

Introducción

Presostato - Presostato ON/OFF (⊕) - En la posición ON (encendido) el compresor se apaga automáticamente cuando la presión del tanque alcanza el nivel máximo fijado en la fábrica. En la posición OFF, el compresor no funcionará. El presostato debe colocarse en OFF (⊖) para conectar o desconectar el cordón eléctrico del tomacorrientes.

Regulador - El regulador controla la cantidad de presión de aire a la salida para la manguera. Al girar la perilla del regulador en sentido horario (hacia la derecha) la presión de aire a la salida aumenta. Al girar la perilla en sentido antihorario (hacia la izquierda) la presión de aire a la salida disminuye. Al girar la perilla completamente en sentido antihorario, el suministro de aire se cierra completamente.

Mango - Diseñado para mover el compresor.

Válvula de seguridad ASME - Esta válvula automáticamente libera el aire si la presión del tanque excede el valor máximo fijado de fábrica.

Tubería de descarga - Esta tubería transporta el aire comprimido del cabezal a la válvula de chequeo. Esta tubería se calienta excesivamente durante el uso. Para evitar quemaduras graves, nunca la toque.

Válvula de chequeo - Esta válvula solo permite que el aire entre al tanque y evita que éste se regrese al cabezal.

Salida de aire - Un acoplador de conexión rápida que está diseñado para trabajar en combinación con un conector rápido para conectar rápida y fácilmente el compresor a una manguera de aire.

Manómetros - Estos manómetros indican la presión de aire en el tanque del compresor y a la salida del compresor.

Manómetro de salida - Indica la presión de aire a la salida en libras por pulgada cuadrada (bar / psi). Asegúrese de que este manómetro indique CERO (girando la perilla completamente en sentido antihorario) antes de cambiar herramientas o desconectar la manguera de la salida.

Manómetro del tanque - Indica la presión de aire en el tanque mientras el compresor esté en marcha, confirmando que el compresor está aumentando la presión adecuadamente. Este manómetro indica la presión máxima del compresor cuando el interruptor de presión lo apague automáticamente.

Llave de drenaje - Esta válvula está ubicada debajo del tanque. Use esta válvula para drenar diariamente la humedad del tanque para reducir el riesgo de corrosión.

⚠ ADVERTENCIA Drene el tanque diariamente.

Reduzca la presión del tanque a menos de 0,69 bar (10 psi), luego drene la humedad del tanque diariamente para evitar la corrosión del mismo. Drene la humedad del tanque abriendo la válvula de drenaje ubicada debajo del tanque.

Instalación

COLOCACIÓN

Es de suma importancia instalar el compresor en un lugar limpio y bien ventilado donde la temperatura ambiente no sea mayor de 38°C (100°F). Se requiere un espacio mínimo de 45,7 cm (18 pulgadas) entre el compresor y la pared, ya que los objetos podrían obstruir el paso de aire.

⚠ PRECAUCIÓN *No coloque la entrada de aire del compresor cerca de áreas con vapor, vapores de pintura, chorros de arena o cualquier otra fuente de contaminación. Los desperdicios dañarán el motor.*

Solo para uso doméstico. Guarde bajo techo.

INSTALACIÓN ELÉCTRICA

1. Chequee y apriete todos los pernos, conexiones, etc., antes de utilizar el compresor.
2. Utilice el compresor en un área bien ventilada para que éste se pueda enfriar adecuadamente.
3. El compresor se debe ubicar cerca de un tomacorrientes para que lo conecte directamente, si no es posible, podría usar un cordón de extensión. Seleccione el cordón de extensión según las recomendaciones que le ofrecemos en la página 21.
4. Para evitar la pérdida de potencia o que el compresor se sobrecaliente, es preferible que use mangueras de aire adicionales en vez de cordones de extensión para extender el alcance.

ALAMBRADO

1. Los códigos eléctricos varían de un área a otra. Sin embargo el alambrado, enchufe y protectores se deben seleccionar según las especificaciones de amperaje y voltaje indicados en la placa del motor y cumplir con las especificaciones mínimas.
2. Use fusibles de acción retardada tipo T o un cortacircuito.

⚠ PRECAUCIÓN *Si no conecta los cables adecuadamente podría haber cortocircuitos, incendios, sobrecalentamiento etc.*

⚠ ADVERTENCIA *Todas las conexiones eléctricas y el alambrado deberán ser llevados a cabo por un electricista profesional. La instalación debe estar conforme con los códigos locales y los códigos nacionales sobre electricidad.*

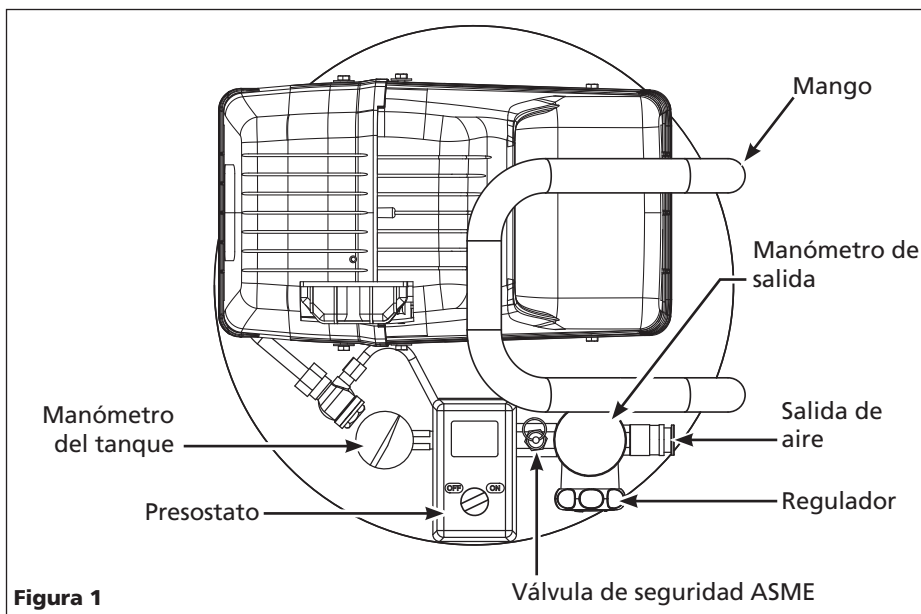


Figura 1

Instalación (Continuación)

NOTA: Las unidades de 120 voltios, compresor pueden utilizar en circuitos de 120 voltios, 15 amp. bajo las siguientes condiciones:

- Ningún otro artefacto eléctrico o luces están conectados al mismo circuito.
 - El suministro de voltaje es normal.
 - Los cordones de extensión son los adecuados y cumplen los requisitos mínimos especificados en este manual de instrucciones.
 - El circuito tiene un cortacircuito de de 15 amperios o un fusible de acción retardada de 15 amperios tipo T.
3. Si no puede satisfacer las condiciones arriba enumeradas o si el cortacircuito se activa frecuentemente, quizás tenga que utilizar un circuito de 120 voltios y 20 amperios.

CONEXION A TIERRA

Este producto debe estar conectado a tierra. En caso de que ocurra un cortocircuito, ésto reduciría el riesgo de choque eléctrico al ofrecerle un cable de desvío a la corriente eléctrica. Este producto tiene un cordón con un alambre y terminal de conexión a tierra. Debe conectarlo a un tomacorrientes que esté instalado adecuadamente según los códigos y ordenanzas locales.

⚠ ADVERTENCIA *La instalación incorrecta del enchufe de conexión a tierra puede dar como resultado un riesgo de choque eléctrico. Cuando sea necesario reparar o reemplazar el cable o el enchufe, no conecte el cable de conexión a tierra a ninguno de los bornes planos del enchufe. El cable con aislante que tiene una superficie exterior de color verde, con o sin bandas amarillas, es el cable de conexión a tierra.*

⚠ PELIGRO *¡No utilice un adaptador de conexión a tierra con este producto!*

⚠ ADVERTENCIA *Nunca conecte los cables verdes o verde con rayas amarillas a un terminal con tensión terminal.*

Verifique con un electricista o técnico de reparación calificados cuando no comprenda totalmente las instrucciones de conexión de descarga a tierra, o cuando tenga alguna duda sobre si el producto está conectado a tierra

de forma adecuada. No modifique el enchufe que se proporciona, si no lo puede conectar al tomacorriente, haga que un técnico calificado instale el tomacorriente adecuado.

Este producto está diseñado para funcionar en un circuito con una carga nominal de 120 v y tiene un enchufe de conexión a tierra similar al enchufe ilustrado en la Figura 2. Conecte el producto únicamente a un tomacorriente que tenga la misma configuración que el enchufe. No utilice un adaptador con este producto.

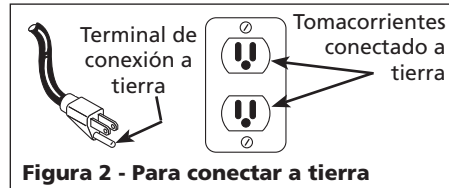


Figura 2 - Para conectar a tierra

CORDONES DE EXTENSION

AVISO

Para evitar la pérdida de potencia y el sobrecalentamiento es preferible que use mangueras de aire adicionales en vez de cordones de extensión para alcanzar el área de trabajo.

Utilice únicamente un cable de extensión de 3 cables que tenga un enchufe de 3 bornes con conexión a tierra, y un receptáculo de 3 ranuras que sea compatible con el enchufe que viene con el producto. Asegúrese de que el cable de extensión no esté dañado. Cuando utilice un cable de extensión, asegúrese de utilizar uno lo suficientemente grueso como para conducir la corriente que el producto exige. Un cable de menor tamaño que el adecuado provocará una caída en el voltaje de la línea y una pérdida de energía y recalentamiento. La tabla que aparece a continuación muestra los tamaños correctos a usar dependiendo de la longitud del cable y de la clasificación de amperaje indicada en la placa. Si tiene dudas, use el de calibre

* Guide de Fils et Bornes

Cable	Color	Terminal	Con tensión
Cordón eléctrico	Blanco	Línea	No
Cordón del motor	Blanco	Tensión	No
Cordón eléctrico	Negro	Línea	Si
Cordón del motor	Negro	Tensión	Si

(*): Cuando la unidad no está funcionando

Calibre mínimo de los cables de extensión

Longitud del cordón	7,62 m	15,24 m	30,48 m
Calibre	14	12	10

inmediatamente superior. Cuanto más bajo sea el número del calibre, más grueso será el cable.

Funcionamiento

ANTES DE ARRANCARLO POR PRIMERA VEZ PROCEDIMIENTO DE ABLANDE

Complete este procedimiento antes de usar el compresor por primera vez. Una vez completado, no es necesario repetirlo.

- Coloque el interruptor de encendido/apagado (⏻) en la posición OFF (apagado) (○).
- Abra la válvula de drenaje del tanque.
- Enchufe el cable de corriente.
- Gire el interruptor de encendido/apagado (⏻) a la posición ON (encendido) (I) y haga funcionar el compresor durante 30 minutos.
- Coloque el interruptor de encendido/apagado (⏻) en la posición OFF (apagado) (○).
- Desenchufe el cordón de corriente.
- Cierre la válvula de drenaje.

Ahora el compresor está listo para ser usado.

ANTES DE CADA PROCEDIMIENTO DE ARRANQUE FUNCIONAMIENTO

- Gire la perilla del regulador totalmente hacia la izquierda.
- Conecte la manguera de aire a la salida del regulador.
- Coloque el interruptor de encendido/apagado (⏻) en la posición OFF (apagado) (○).
- Enchufe el cable de corriente.
- Gire el interruptor de encendido/apagado (⏻) a la posición ON (encendido) (I) y deje que el compresor funcione hasta que alcance la presión de apagado automático.

Funcionamiento

(Continuación)

6. Conecte la boquilla para inflar neumáticos u otra herramienta al extremo de la manguera.
7. Ajuste el regulador a la presión adecuada para una herramienta o neumático. Maneje la herramienta o según las instrucciones.

A medida que el aire del tanque se agota por el uso de la boquilla para la llanta, herramienta, etc., el compresor vuelve a encenderse automáticamente a la presión prefijada de activación. Cuando se use una herramienta en forma continua, el compresor cumplirá ciclos de encendido y apagado en forma automática.

8. Cuando termine de usar el compresor, ponga el interruptor en OFF (apagado) (○), desenchufe el cable eléctrico y drene el aire del tanque.

⚠ PRECAUCION

¡Riesgo de explosión! Este compresor está diseñado para proporcionar una presión de aire de hasta 13,79 bar (200 psi). La mayoría de los accesorios están diseñados para funcionar a una presión máxima de menos de 8,62 bar (125 psi). **NO ajuste el regulador para que resulte en una presión de salida mayor que la que se marca como presión máxima del accesorio.**



Mantenimiento

⚠ ADVERTENCIA

Desconecte el cordón eléctrico del tomacorrientes y libere toda la presión del sistema antes de tratar de instalar, darle servicio, cambiar de lugar o darle cualquier tipo de mantenimiento. El servicio debe ser realizado por un representante de servicio autorizado.



Este compresor se debe chequear con frecuencia para ver si tiene algún tipo de problemas y le debe dar el siguiente mantenimiento antes de cada uso.

VALVULA DE SEGURIDAD ASME

⚠ ADVERTENCIA

Nunca desconecte o trate de ajustar la válvula de seguridad ASME. Igualmente, debe evitar que se le acumule pintura u otros materiales.

Revise la válvula de seguridad siguiendo los siguientes pasos:

1. Enchufe el compresor y hágalo funcionar hasta que se alcance la presión de corte (consulte Funcionamiento).
2. Usando gafas de protección, tire del anillo de la válvula de seguridad (vea las Figura 3) para liberar la presión del tanque del compresor. Use su otra mano para desviar el aire que se mueve a gran velocidad y evitar que le dé en el rostro.

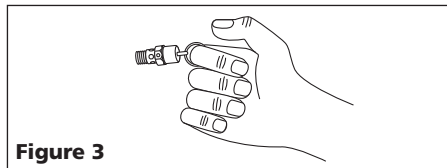


Figure 3

3. Esta válvula de seguridad debería cerrarse automáticamente a 2,76 a 3,45 bar (40 a 50 psi). Si la válvula de seguridad no deja salir aire cuando tira del anillo o si no se cierra automáticamente, DEBE ser reemplazada.

⚠ ADVERTENCIA

Se debe reemplazar la válvula de seguridad si no se puede accionar o si tiene una fuga de aire después de liberar el anillo.

DRENE EL TANQUE

Apague el compresor y libere toda la presión, después: Abra la llave de drenaje, ubicada debajo del tanque, para drenarle toda la humedad.

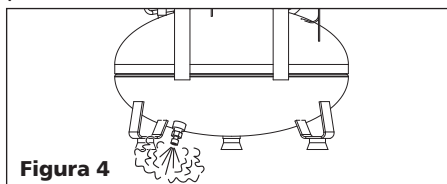


Figura 4

LIMPIEZA

Apague el compresor (póngalo en OFF), y limpie el motor, el tanque, las líneas de aire y las aletas del sistema de enfriamiento del cabezal.

IMPORTANTE: El compresor debe colocarse lo más lejos posible del área de pulverización, según lo permita la longitud de la manguera, para evitar que el exceso de pulverización atasque el filtro de aire.

FILTRO DE AIRE

Cerciórese de que el filtro esté limpio. Para darle servicio al filtro deberá destapararlo. Desconecte el filtro y límpielo con agua caliente enjabonada (Los filtros de papel no se pueden lavar). Sacúdalo y déjelo secar.

Reemplace los filtros de aire que no se puedan limpiar. Coloque el filtro dentro de la base y tápelos.

LUBRICACION

Este compresor no requiere lubricación.

PROTECTOR TERMICO

Apague el interruptor de presión o desconecte el compresor por 20 minutos y déjelo enfriar. Reiniciarse la unidad. Si eso pasara, ponga el interruptor en OFF (○) y vuelva a encender el interruptor (I) y continúe a trabajar.

⚠ PRECAUCION

Esta compresora está equipado con un protector de sobrecarga térmico de reinicio manual que apagará el motor si éste se sobrecalienta.

Si el protector térmico apaga al compresor con mucha frecuencia puede ser por lo siguiente:

1. Voltaje bajo.
2. El cordón de extensión es muy corto o del calibre inadecuado.
3. El filtro de aire está atascado.
4. La ventilación es inadecuada.

⚠ PRECAUCION

Para poder arrancar de nuevo el motor, se debe dejar enfriar. Ele motor se pondra en marcha de nuevo, sinninguna senal de aviso, si se daja conectado a un tamacorriente y si el motor ya esta enceneito.

CONCLUSIÓN DEL TRABAJO/ ALMACENAJE

1. Coloque el interruptor de encendido/apagado (⏻) en la posición OFF (apagado) (○).
2. Desenchufe el cordón del tomacorrientes de pared y envuélvalo alrededor del mango para prevenir daños cuando no se use.
3. Con las gafas de seguridad puestas, descargue el aire del tanque halando el anillo de la válvula de seguridad. Use su otra mano para desviar el aire que se mueve a gran velocidad y evitar que le dé en el rostro.
4. Drene el tanque de la condensación abriendo la válvula de drenaje al fondo del tanque. Cuando drene el tanque, la presión debe estar por debajo de 10 psi.
5. Debe desconectar la manguera del compresor y colgarla con los extremos hacia abajo para que toda humedad se drene.
6. El compresor y la manguera deben guardarse en un lugar fresco y seco.

Guía de Diagnóstico de Averías

Problema	Posible(s) Causa(s)	Acción a Tomar
El compresor no funciona	<ol style="list-style-type: none"> 1. No hay energía eléctrica 2. Cortacircuito desconectado 3. Presostato dañado 4. El motor ha trabajado excesivamente. 5. La presión del tanque se encuentra por encima del nivel de activación. 	<ol style="list-style-type: none"> 1. ¿Está conectado? ¿Está prendido el interruptor? Chequee el fusible/cortacircuito 2. Conéctelo, determine la causa del problema 3. Reemplácelo 4. Apague, deje enfriar, vuelva a encender. 5. Libere la presión del tanque hasta que baje al nivel de activación.
Los fusibles se queman/cortacircuito se activa con frecuencia	<ol style="list-style-type: none"> 1. Fusible inadecuado, circuito sobrecargado 2. Uso del cable de extensión – calibre inadecuado del cable y/o demasiado largo. 3. Válvula de retención desgastada 4. Válvula de descarga defectuosa (en el interruptor de presión) 5. Condensador(es) del motor defectuoso(s) 6. Motor defectuoso 	<ol style="list-style-type: none"> 1. Cerciórese de que está usando el fusible adecuado, use un fusible de acción retardada. Desconecte los otros artefactos eléctricos del circuito o conecte el compresor a otro circuito. 2. Retire el cable de extensión o consulte la Tabla para el Cable de Extensión, en la página 21 SP 3. Cambie la válvula de retención 4. Cambie la válvula de descarga. 5. Reemplace el condensador(es). 6. Cambie el motor <p>⚠ PELIGRO <i>Antes de desmantelar la válvula de chequeo purgue el aire del tanque.</i></p>
La presión del tanque baja cuando el compresor se apaga	<ol style="list-style-type: none"> 1. Conexiones flojas (conexiones, tuberías, etc.) 2. Abra la válvula de drenaje del tanque. 	<ol style="list-style-type: none"> 1. Revise todas las conexiones con una solución de agua y jabón. Apriete, o retire y aplique sellador o cintas para roscas, luego vuelva a ensamblar. 2. Cierre la válvula de drenaje del tanque
La salida de aire es inferior a la normal/la presión de salida es baja	<ol style="list-style-type: none"> 1. Consumo excesivo de aire 2. Filtro de entrada obstruido 3. Abra la válvula de drenaje del tanque. 4. Hay fugas de aire en las tuberías (del compresor o del sistema de conexión) 5. Aro del pistón desgastado 6. Válvula dañada (en la bomba) 	<ol style="list-style-type: none"> 1. Disminuya el consumo de aire; el compresor es muy pequeño para suministrar el aire requerido 2. Limpie o reemplace el filtro 3. Cierre la válvula de drenaje del tanque 4. Revise todas las conexiones con una solución de agua y jabón. Apriete, o retire y aplique sellador o cintas para roscas, luego vuelva a ensamblar. 5. Reemplácelo 6. Cambie la válvula
Excesos de humedad en el aire expulsado	<ol style="list-style-type: none"> 1. Exceso de agua en el tanque 2. Humedad alta 	<ol style="list-style-type: none"> 1. Drene el tanque 2. Mueva el compresor a una área menos húmeda; use un filtro de aire incorporado a la línea
El compresor funciona continuamente	<ol style="list-style-type: none"> 1. El presostato está dañado 2. Consumo excesivo de aire 	<ol style="list-style-type: none"> 1. Reemplace el presostato 2. Disminuya el consumo de aire; el compresor es muy pequeño para suministrar el aire requerido
El motor hace ruido pero no funciona o funciona lentamente	<ol style="list-style-type: none"> 1. Sobrecarga del circuito 2. Uso del cable de extensión – calibre inadecuado del cable y/o demasiado largo. 3. Conexiones eléctricas sueltas 4. Válvula de retención desgastada 5. Válvula de descarga defectuosa (en el interruptor de presión) 6. Condensador(es) del motor defectuoso(s) 7. Motor defectuoso 	<ol style="list-style-type: none"> 1. Desconecte los demás accesorios eléctricos del circuito, o haga funcionar el compresor en su propio ramal del circuito. 2. Retire el cable de extensión o consulte la Tabla para el Cable de Extensión, en la página 21 SP 3. Verifique todas las conexiones eléctricas. 4. Cambie la válvula de retención 5. Cambie la válvula de descarga. 6. Reemplace el condensador(es). 7. Cambie el motor <p>⚠ PELIGRO <i>Antes de desmantelar la válvula de chequeo purgue el aire del tanque.</i></p>
El protector de sobrecarga térmica se activa constantemente	<ol style="list-style-type: none"> 1 Falta de ventilación adecuada/ temperatura ambiente demasiado alta 2. El filtro de entrada está obstruido 3. Circuito sobrecargado 4. Uso del cable de extensión – calibre inadecuado del cable y/o demasiado largo. 5. Válvula de retención desgastada 6. Válvula de descarga defectuosa (en el interruptor de presión) 7. Motor defectuoso 	<ol style="list-style-type: none"> 1. Mueva el compresor a un área bien ventilada. 2. Límpielo o reemplácelo 3. Cerciórese de que está usando el fusible adecuado, use un fusible de acción retardada. Desconecte los otros artefactos eléctricos del circuito o conecte el compresor a otro circuito. 4. Retire el cable de extensión o consulte la Tabla para el Cable de Extensión, en la página 21 SP 5. Cambie la válvula de retención 6. Cambie la válvula de descarga. 7. Cambie el motor <p>⚠ PELIGRO <i>Antes de desmantelar la válvula de chequeo purgue el aire del tanque.</i></p>

Garantía Limitada

1. DURACION: A partir de la fecha de compra por el comprador original tal como se especifica a continuación: Un Año.
 2. QUIEN OTORGA ESTA GARANTIA (EL GARANTE: Campbell Hausfeld / The Scott Fetzer Company 100 Production Drive, Harrison, Ohio 45030 Teléfono: (800) 543-6400.
 3. QUIEN RECIBE ESTA GARANTIA (EL COMPRADOR): El comprador original (que no sea un revendedor) del producto Campbell Hausfeld.
 4. PRODUCTOS CUBIERTOS POR ESTA GARANTIA: este compresor de aire Campbell Hausfeld.
 5. COBERTURA DE LA GARANTIA: Los defectos substanciales de material y fabricación que ocurran dentro del período de validez de la garantía.
 6. LO QUE NO ESTA CUBIERTO POR ESTA GARANTIA:
 - A. Las garantías implícitas, incluyendo aquellas de comercialidad E IDONEIDAD PARA FINES PARTICULARES, ESTAN LIMITADOS A LO ESPECIFICADO EN EL PARRAFO DE DURACION. Si el compresor de aire es empleado para uso comercial, industrial o para renta, la garantía será aplicable por noventa (90) días a partir de la fecha de compra. En algunos estados no se permiten limitaciones a la duración de las garantías implícitas, por lo tanto, en tales casos esta limitación no es aplicable.
 - B. CUALQUIER PERDIDA DAÑO INCIDENTAL, INDIRECTO O CONSECUENTE QUE PUEDA RESULTAR DE UN DEFECTO, FALLA O MALFUNCIONAMIENTO DEL PRODUCTO CAMPBELL HAUSFELD. En algunos estados no se permite la exclusión o limitación de daños incidentales o consecuentes, por lo tanto, en tales casos esta limitación o exclusión no es aplicable
 - C. Cualquier falla que resulte de un accidente, abuso, negligencia o incumplimiento de las instrucciones de funcionamiento y uso indicadas en el (los) manual(es) que se adjunta(n) al compresor.
 - D. Servicio previo a la entrega, p. ej. ensamblado, aceite o lubricantes y ajuste.
 - E. Artículos o servicio que se requieren normalmente para mantener el producto, p. ej. lubricantes, filtros y juntas, etc.
 - F. Los motores de gasolina están específicamente excluidos de la cobertura de esta garantía limitada. El comprador debe seguir las cláusulas de la garantía otorgada por el fabricante del motor de gasolina que se suministra con el producto.
 - G. Artículos adicionales no cubiertos bajo esta garantía:
 1. Todos los Compresores
 - a. Cualquier componente dañado durante el envío o cualquier daño ocasionado por haber instalado u operado la unidad bajo condiciones contrarias a lo indicado en las instrucciones para instalar u operar la unidad o daños ocasionados por el contacto con herramientas o los alrededores.
 - b. Daños del cabezal o las válvulas ocasionados por la lluvia, humedad excesiva, agentes corrosivos u otros contaminantes.
 - c. Daños de apariencia que no afecten el funcionamiento del compresor.
 - d. Tanques oxidados, incluyendo pero no limitado al óxido debido al drenaje inadecuado u agentes corrosivos en el ambiente.
 - e. Motores eléctricos, válvulas de retención e interruptores de presión.
 - f. Llaves de drenaje
 - g. Daños debidos al alambrado incorrecto o conexión a circuitos con voltaje inadecuados para la unidad.
 - h. Otros artículos no enumerados pero considerados de desgaste general.
 - i. Presostatos, controles de flujo de aire y válvulas de seguridad cuyos parametros fijados de fábrica se modifiquen.
 2. Compresores lubricados
 - a. Daños del cabezal o las válvulas debidos al uso de aceites no especificados.
 - b. Daños del cabezal o las válvulas debidos a cualquier contaminación del aceite o por no haber seguido las instrucciones de lubricación.
 3. Compresores con bandas/ de accionamiento directo/ motores de gasolina
 - a. Bandas
 - b. Daños de los anillos debido al mantenimiento inadecuado del filtro.
 - c. Ajustes manuales de los instrumentos de carga/descarga y válvula de estrangulación.
 7. RESPONSABILIDADES DEL GARANTE BAJO ESTA GARANTIA: Reparar o reemplazar, como lo decida el Garante, el compresor o componentes que estén defectuosos, se hayan dañado o hayan dejado de funcionar adecuadamente, durante el período de validez de la garantía
 8. RESPONSABILIDADES DEL COMPRADOR BAJO ESTA GARANTIA:
 - A. Suministrar prueba fechada de compra y la historia de mantenimiento del producto.
 - B. Entregar o enviar los compresores de aire portátiles o componentes al Centro de Servicio autorizado Campbell Hausfeld más cercano. Los gastos de flete, de haberlos, deben ser pagados por el comprador.
 - C. Tener cuidado al utilizar el producto, tal como se indica(n) en el (los) manual(es) del propietario.
 9. CUANDO EFECTUARA EL GARANTE LA REPARACION O REEMPLAZO CUBIERTO BAJO ESTA GARANTIA: La reparación o reemplazo dependerá del flujo normal de trabajo del centro de servicio y de la disponibilidad de repuestos.
- Esta garantía limitada es válida sólo en los EE.UU., Canadá y México y otorga derechos legales específicos. Usted también puede tener otros derechos que varían de un Estado a otro. o de un país a otro.
-