

Please read and save these instructions. Read carefully before attempting to assemble, install, operate or maintain the product described. Protect yourself and others by observing all safety information. Failure to comply with instructions could result in personal injury and/or property damage! Retain instructions for future reference.

# Air Compressors

## Description

Air compressor units are intended to provide compressed air to power pneumatic tools, operate spray guns and supply air for pneumatic valves and actuators. The pumps supplied with these units have oil lubricated bearings. A small amount of oil carryover is present in the compressed air stream.

Applications requiring air free of oil vapor should have the appropriate filter installed. The air compressor units are to be mounted per the instructions provided on a solid floor. Any other use of these units will void the warranty and the manufacturer will not be responsible for problems or damages resulting from such misuse. Refer to the enclosed "Replacement Parts Manual" to identify compressor as single stage or two-stage.

## Safety Guidelines

This manual contains information that is very important to know and understand. This information is provided for SAFETY and to PREVENT EQUIPMENT PROBLEMS. To help recognize this information, observe the following symbols.

**⚠ DANGER** *Danger indicates an imminently hazardous situation which, if not avoided, will result in death or serious injury.*

**⚠ WARNING** *Warning indicates a potentially hazardous situation which, if not avoided, could result in death or serious injury.*

**⚠ CAUTION** *Caution indicates a potentially hazardous situation which, if not avoided, MAY result in minor or moderate injury.*

**NOTICE** *Notice indicates important information, that if not followed, may cause damage to equipment.*

*tion, that if not followed, may cause damage to equipment.*

## Unpacking

After unpacking the unit, inspect carefully for any damage that may have occurred during transit. Make sure to tighten fittings, bolts, etc., before putting unit into service.

**⚠ WARNING** *Do not operate unit if damaged during shipping, handling or use. Damage may result in bursting and cause injury or property damage.*

## General Safety

Since the air compressor and other components (material pump, spray guns, filters, lubricators, hoses, etc.) used make up a high pressure pumping system, the following safety precautions must be observed at all times:

1. Read all manuals included with this product carefully. Be thoroughly familiar with the controls and the proper use of the equipment.
2. Follow all local electrical and safety codes as well as the United States National Electrical Codes (NEC) and Occupational Safety and Health Act (OSHA).
3. Only persons well acquainted with these rules of safe operation should be allowed to use the compressor.
4. Keep visitors away and NEVER allow children in the work area.
5. Wear safety glasses and use hearing protection when operating the unit.



## ⚠ DANGER

### Breathable Air Warning

This compressor/pump is NOT equipped and should NOT be used "as is" to supply breathing quality air. For any application of air for human consumption, you must fit the air compressor/pump with suitable in-line safety and alarm equipment. This additional equipment is necessary to properly filter and purify the air to meet minimal specifications for Grade D breathing as described in Compressed Gas Association Commodity Specification G 7.1 - 1966, OSHA 29 CFR 1910. 134, and/or Canadian Standards Associations (CSA).

### DISCLAIMER OF WARRANTIES

In the event the compressor is used for the purpose of breathing air application and proper in-line safety and alarm equipment is not simultaneously used, existing warranties are void, and the company disclaims any liability whatsoever for any loss, personal injury or damage.

6. Do not stand on or use the unit as a handhold.
7. Before each use, inspect compressed air system and electrical components for signs of damage, deterioration, weakness or leakage. Repair or replace defective items before using.
8. Check all fasteners at frequent intervals for proper tightness.

REMINDER: Keep your dated proof of purchase for warranty purposes! Attach it to this manual or file it for safekeeping.

## Air Compressors

### General Safety (Cont.)

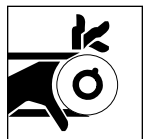
#### **⚠WARNING**

Motors, electrical equipment and controls can cause electrical arcs that will ignite a flammable gas or vapor. Never operate or repair in or near a flammable gas or vapor. Never store flammable liquids or gases in the vicinity of the compressor.



#### **⚠WARNING**

Never operate compressor without a beltguard. This unit can start automatically without warning. Personal injury or property damage could occur from contact with moving parts.



9. Do not wear loose clothing or jewelry that will get caught in the moving parts of the unit.

#### **⚠CAUTION**

Compressor parts may be hot even if the unit is stopped.



10. Keep fingers away from a running compressor; fast moving and hot parts will cause injury and/or burns.
11. If the equipment should start to vibrate abnormally, STOP the engine/motor and check immediately for the cause. Vibration is generally an indication of trouble.
12. To reduce fire hazard, keep engine/motor exterior free of oil, solvent, or excessive grease.

#### **⚠WARNING**

**An ASME code safety relief valve with a setting no higher than the Maximum Allowable Working Pressure (MAWP) of the tank MUST be installed in the air lines or in the tank for this compressor. The ASME safety valve must have sufficient flow and pressure ratings to protect the pressurized components from bursting. The flow rating can be found in the parts manual. The safety valve in the intercooler does not provide system protection.**

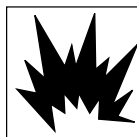
#### **⚠CAUTION**

Maximum operating pressure is 175 psi for two-stage compressors and 135–150 psi for single stage compressors. Do not operate with pressure switch or pilot valves set higher than 175 psi (two-stage) or 135–150 psi (single stage).

13. Never attempt to adjust ASME safety valve. Keep safety valve free from paint and other accumulations.

#### **⚠DANGER**

Never attempt to repair or modify a tank! Welding, drilling or any other modification will weaken the tank resulting in damage from rupture or explosion. Always replace worn, cracked or damaged tanks.



#### **NOTICE**

Drain liquid from tank daily.

14. Tanks rust from moisture build-up, which weakens the tank. Make sure to drain tank regularly and inspect periodically for unsafe conditions such as rust formation and corrosion.
15. Fast moving air will stir up dust and debris which may be harmful. Release air slowly when draining moisture or depressurizing the compressor system.

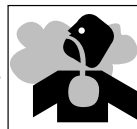
#### SPRAYING PRECAUTIONS

#### **⚠WARNING**

Do not spray flammable materials in vicinity of open flame or near ignition sources including the compressor unit.



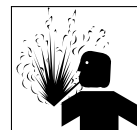
16. Do not smoke when spraying paint, insecticides, or other flammable substances.
17. Use a face mask/respirator when spraying and spray in a well ventilated area to prevent health and fire hazards.
18. Do not direct paint or other sprayed material at the compressor. Locate compressor as far away from the spraying area as possible to minimize over-spray accumulation on the compressor.
19. When spraying or cleaning with solvents or toxic chemicals, follow the instructions provided by the chemical manufacturer.



### Installation

#### **⚠WARNING**

Disconnect, tag and lock out power source then release all pressure from the system before attempting to install, service, relocate or perform any maintenance.



#### **⚠CAUTION**

Do not lift or move unit without appropriately rated equipment. Be sure the unit is securely attached to lifting device used. Do not lift unit by holding onto tubes or coolers. Do not use unit to lift other attached equipment.

#### **⚠CAUTION**

Never use the wood shipping skids for mounting the compressor.

Install and operate unit at least 24" from any obstructions in a clean, well ventilated area. The surrounding air temperature should not exceed 100° F. This will ensure an unobstructed flow of air to cool compressor and allow adequate space for maintenance.

#### **⚠CAUTION**

Do not locate the compressor air inlet near steam, paint spray, sandblast areas or any other source of contamination.

**NOTE:** If compressor operates in a hot, moist environment, supply compressor pump with clean, dry outside air. Supply air should be piped in from external sources.

#### TANK MOUNTING

The tank should be bolted into a flat, even, concrete floor or on a separate concrete foundation. Vibration isolators should be used between the tank leg and the floor. Model MP345800AJ isolator pads are recommended for horizontal units. Model MP345700AJ isolator pads are recommended for vertical units. When using isolator pads, **do not draw bolts tight**. Allow the pads to absorb vibrations. When isolators are used, a flexible hose or coupling should be installed between the tank and service piping.

#### **⚠WARNING**

Failure to properly install the tank can lead to cracks at the welded joints and possible bursting.



#### PIPING

#### **⚠WARNING**

Never use plastic (PVC) pipe for compressed air. Serious injury or death could result.

Any tube, pipe or hose connected to the unit must be able to withstand the temperature generated and retain the pressure. All pressurized components of the air system must have a pressure rating higher than or equal to the 200 psi for

## Installation (Cont.)

two-stage compressors or 150 psi for single stage compressors ASME safety valve setting. Incorrect selection and installation of any tube, pipe or hose could result in bursting and injury. Connect piping system to tank using the same size fitting as the discharge port.

### INSTALLING A SHUT-OFF VALVE

A shut-off valve should be installed on the discharge port of the tank to control the air flow out of the tank. The valve should be located between the tank and the piping system.

**⚠ WARNING** *Never install a shut-off valve between the compressor pump and the tank. Personal injury and/or equipment damage may occur. Never use reducers in discharge piping.*

When creating a permanently installed system to distribute compressed air, find the total length of the system and select pipe size from the chart. Bury underground lines below the frost line and avoid pockets where condensation can gather and freeze.

Apply air pressure to the piping installa-

tion and make sure all joints are free from leaks BEFORE underground lines are covered. Before putting the compressor into service, find and repair all leaks in the piping, fittings and connections.

### MINIMUM PIPE SIZE FOR COMPRESSED AIR LINE

CFM	Length Of Piping System			
	25'	50'	100'	250'
10	1/2"	1/2"	3/4"	3/4"
20	3/4	3/4	3/4	1
40	3/4	1	1	1
60	3/4	1	1	1
100	1	1	1	1 1/4

### WIRING

**⚠ WARNING** *All wiring and electrical connections must be performed by a qualified electrician. Installations must be in accordance with local and national codes.*

**⚠ CAUTION** *Overheating, short 3 circuiting and fire damage will result from inadequate wiring.*

Wiring must be installed in accordance with National Electrical Code and local codes and standards that have been set up covering electrical apparatus and wiring. These should be consulted and local ordinances observed. Be certain that adequate wire sizes are used, and that:

1. Service is of adequate ampere rating.
2. The supply line has the same electrical characteristics (voltage, cycles and phase) as the motor.
3. The line wire is the proper size and that no other equipment is operated from the same line. The chart gives minimum recommended wire sizes for compressor installations.

### MINIMUM WIRE SIZE USE 75°C COPPER WIRE

HP	Amps	Single Phase	Three Phase	
		230V	208/230V	460/575V
SPL	up to 22.0	10 AWG		
5.0		8 AWG	12 AWG	14 AWG
7.5		8 AWG	10 AWG	12 AWG
10.0		N/A	8 AWG	12 AWG
15.0		N/A	6 AWG	10 AWG
25.0		N/A	3 AWG	8 AWG

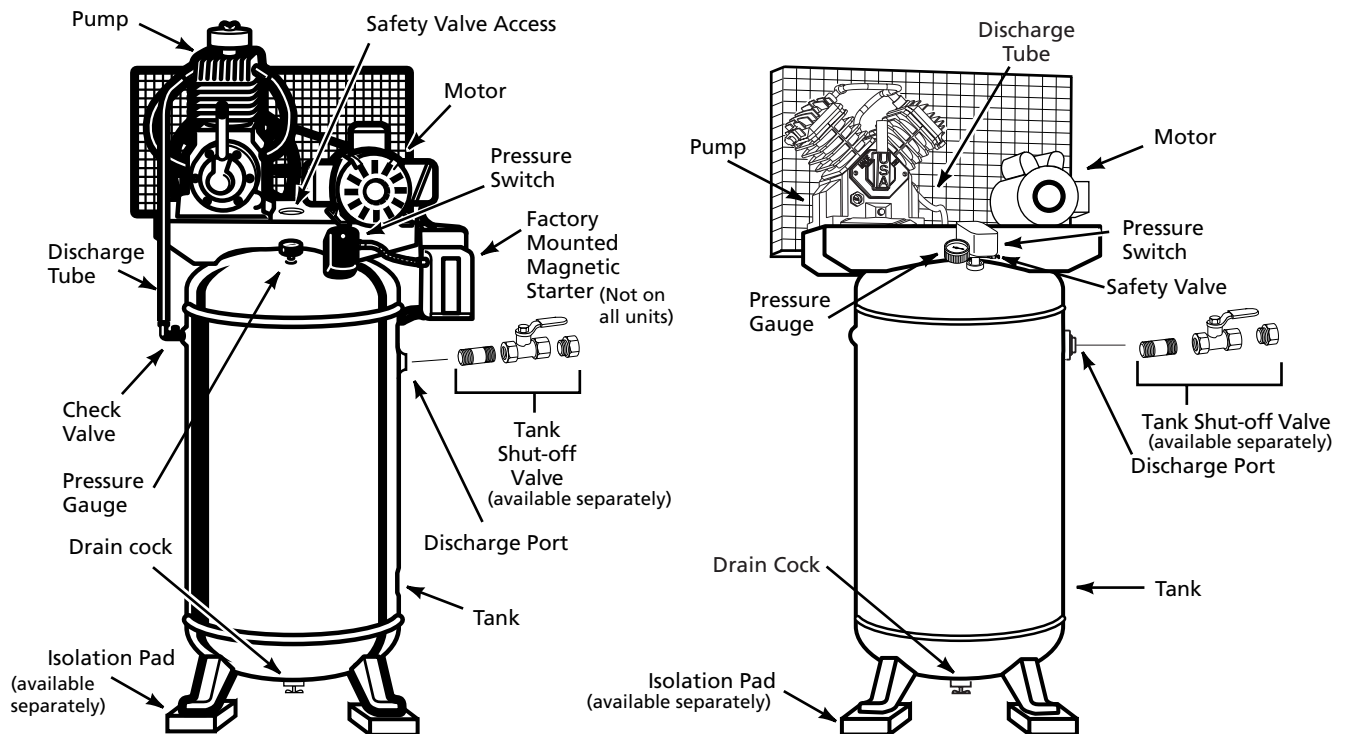


Figure 1 - Typical Vertical Unit Identification

# Air Compressors

## Installation (Cont.)

Recommended wire sizes may be larger than the minimum set up by local ordinances. If so, the larger size wire should be used to prevent excessive line voltage drop. The additional wire cost is very small compared with the cost of repairing or replacing a motor electrically "starved" by the use of supply wires which are too small.

### GROUNDING

#### **⚠ DANGER**

**Improperly grounded electrical components are shock hazards. Make sure all the components are properly grounded to prevent death or serious injury.**

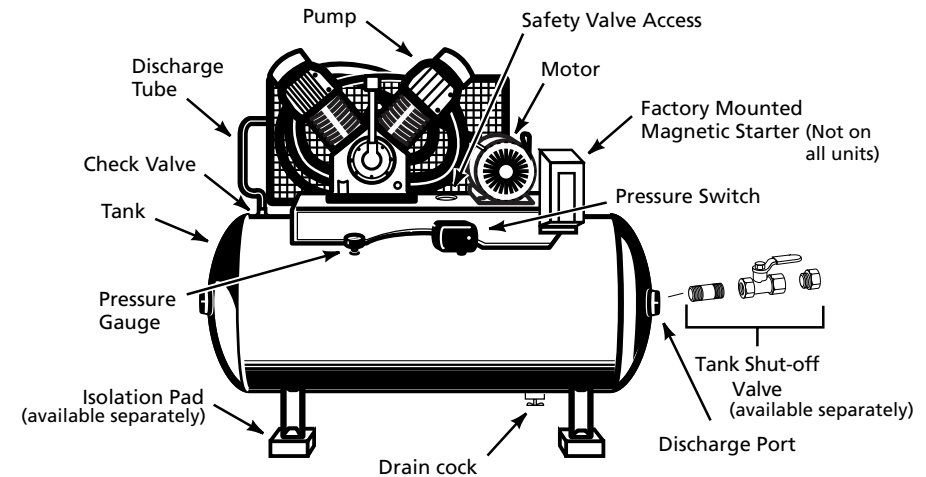


This product **must** be grounded. Grounding reduces the risk of electrical shock by providing an escape wire for the electric current if short circuit occurs. This product must be installed and operated with a power cord or cable that has a grounding wire.

### MOTOR HOOKUP AND STARTER INSTALLATION

Branch circuit protection must be provided as specified in the United States National Electrical Code, Chapter 2, "Wiring Design and Protection." Article 210, using the applicable article "For Motors and Motor Controllers," (Article 430, Table 430-1 52).

**IMPORTANT:** Overload protection is required for all motors. Certain motors



**Figure 2 - Typical Horizontal Unit Identification**

have this protection built-in. To determine if a motor has built-in overload protection, refer to the frame size on the motor nameplate.

Motors with frame size R56HZ, Y56Y or L143T include built-in overload protection. No additional protection is required. Use Figure 3 wiring diagram.

Motors with frame sizes 184T, 215T, 254T or 284T DO NOT have built-in overload protection. A magnetic starter is required. Use Figure 4 wiring diagram.

To change to the alternate voltage on three phase motors with 230/460 ratings:

1. Rewire motor per data plate on motor or instruction sheet.
2. Check electric rating of magnetic starter and replace thermal overload

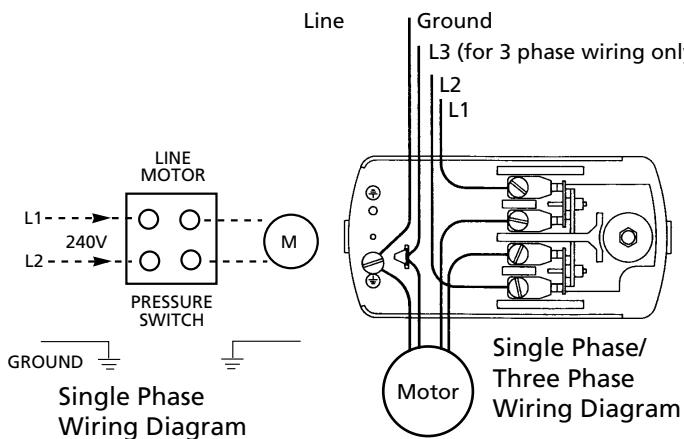
elements or magnetic starter as required. The voltage and amperage ratings are listed on the motor nameplate.

### DIRECTION OF ROTATION

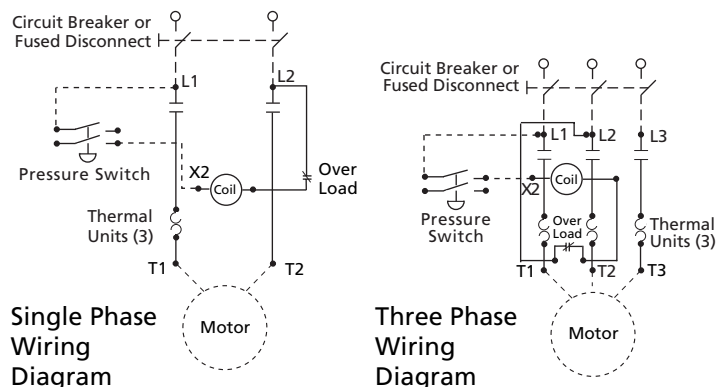
**NOTE:** Improper rotation will result in reduced unit life.

The direction of rotation must be counterclockwise (as shown by the arrow on the flywheel) while facing the flywheel side of the pump. The motor nameplate will show wiring information for counterclockwise rotation.

The proper direction is very important. The direction of rotation of 3 phase motors can be reversed by interchanging any two motor-line leads. For single phase motors, refer to the motor nameplate.



**Figure 3 - For Motor Frame Sizes R56HZ, Y56Y or L143T. Refer to Motor Nameplate**



**Figure 4 - For Motor Frame Sizes 184T, 215T, 254T or 284T. Refer to Motor Nameplate**

## Operation

**IMPORTANT:** Check motor rotation before operating the compressor.

All lubricated compressor pumps discharge some condensed water and oil with the compressed air. Install appropriate water/oil removal equipment and controls as necessary for the intended application.

**NOTICE** Failure to install appropriate water/oil removal equipment may result in damage to machinery or workpiece.

### GUARDING

#### **⚠ DANGER**

The belt guard provided must be installed before operating the unit.



All moving parts must be guarded. All electrical covers must be installed before turning on the power.

### LUBRICATION

#### **⚠ CAUTION** THIS UNIT CONTAINS NO OIL.

Before operating compressor. Fill to the center of the sight gauge or maximum mark on dipstick (see Figure 5).

Some residual oil may still be in the pump leaving a thin coat on the sight glass, however; there is not enough oil to operate the unit. Fill pump with single-viscosity, ISO100, non-detergent, compressor oil. Recommended ST126700AV compressor oil or Mobil 1® 5W30 or 10W30 synthetic oil may also be used. Add oil only through the oil fill plug. Pouring oil into any other orifice will cause oil to leak and spray out during operation. **Fill to the center of the sight gauge or maximum mark on dipstick (see Figure 5).**

**⚠ CAUTION** Using any other type of oil may shorten pump life and damage valves.

#### RECOMMENDED BREAK-IN PERIOD

The compressor should be run continuously for one hour to allow proper seating of the piston rings.

1. Open drain cock completely and run the compressor for 60 minutes (See Figure 6).

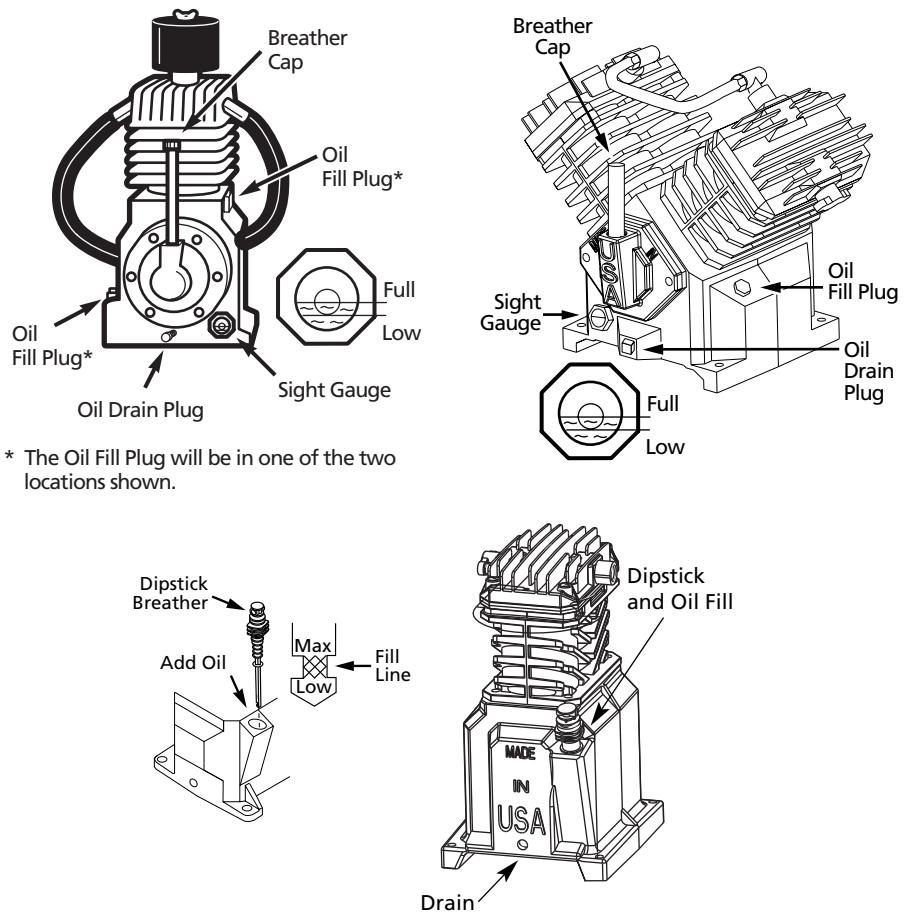


Figure 5 - Oil Fill Diagrams

2. Turn off the compressor and close drain cock. The compressor is now ready for use.

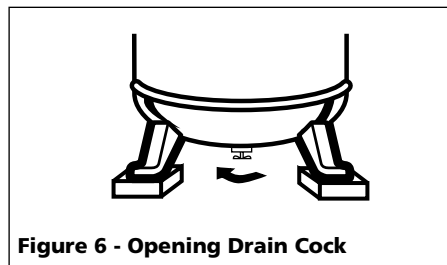


Figure 6 - Opening Drain Cock

If the compressor is run under humid conditions for short periods of time, the humidity will condense in the crankcase and cause the oil to look creamy. Oil contaminated by condensed water will not provide adequate lubrication and must be changed immediately. Using contaminated oil will damage bearings, pistons, cylinders and rings and is not covered under warranty. To avoid water condensation in the oil, periodically run the compressor with tank pressure near

150 psi for two-stage compressors or 120 psi for single stage compressors by opening the drain cock or an air valve connected to the tank or hose. Run the pump for an hour at a time at least once a week or more often if the condensation reoccurs.

**IMPORTANT:** Change oil after first 50 hours of operation.

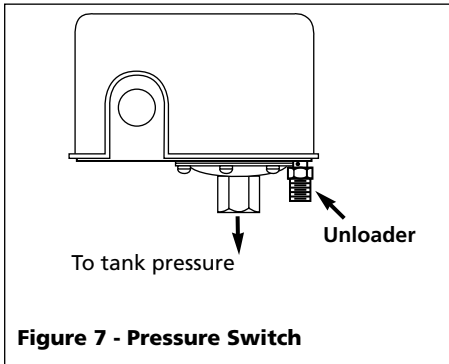
#### PRESSURE SWITCH, START - STOP

**NOTE:** This compressor has a maximum operating pressure of 175 psi for two-stage compressors or 135 psi for single stage compressors. Do not alter pressure settings on control components above this limit.

The compressor unit starts and stops based on preset pressure switch settings. The pressure switch contains an unloader which is a small valve that vents air to allow the motor to start easily (See Figure 7).

# Air Compressors

## Operation (Cont.)



### CONTINUOUS RUN OPERATION

To convert to continuous run operation a separate unloading device must be installed by the user between the pump and the tank. The existing check valve must be removed.

### CRANKCASE BREATHER

During severe operating conditions or initial start-up, some oil may accumulate at the crankcase breather opening. This is normal and will diminish as the pump accumulates run time and the piston rings become fully seated.

## Maintenance

### ⚠ WARNING

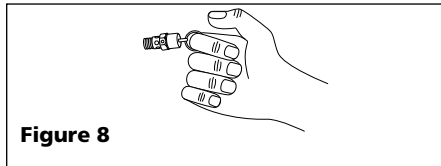
**Disconnect, tag and lock out power source then release all pressure from the system before attempting to install, service, relocate or perform any maintenance.**



In order to maintain efficient operation of the compressor system, check

the air filter and oil level before each use. The ASME safety valve should also be checked daily (See Figure 8). Pull ring on safety valve and allow the ring to snap back to normal position. This valve automatically releases air if the tank pressure exceeds the preset maximum. If air leaks after the ring has been released, or the valve is stuck and cannot be actuated by the ring, the ASME safety valve must be replaced.

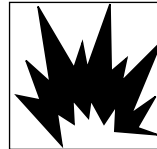
**⚠ DANGER** *Do not attempt to tamper with the ASME safety valve.*



### TANK

### ⚠ DANGER

**Never attempt to repair or modify a tank! Welding, drilling or any other modification will weaken the tank resulting in damage from rupture or explosion. Always replace worn, cracked or damaged tanks.**



**NOTICE** *Drain liquid from tank daily.*

The tank should be carefully inspected at a minimum of once a year. Look for cracks forming near the welds. If a crack is detected, remove pressure from tank immediately and replace.

### COMPRESSOR LUBRICATION

See Operation. Add oil as required. The oil and oil filter should be changed every

three months or after every 500 hours of operation; whichever comes first. Only pressure lubricated pumps have an oil filter.

### AIR FILTER

Never run the compressor pump without an intake air filter nor with a clogged intake air filter. Use compressed air to blow the filter clean. Do not wash or oil the element. If it cannot be blown clean, the filter must be replaced. Operating compressor with a dirty filter can cause high oil consumption and increase oil contamination in the discharge air.

### INTERCOOLER (TWO-STAGE COMPRESSORS ONLY)

**⚠ WARNING** *Intercooler fins are sharp, always wear gloves and use care when you clean or work near the intercooler.*

Weekly, check the intercooler to be sure all fittings are secure and tight. Blow all dirt, dust and other accumulations from the intercooler fins.

### COMPONENTS

Turn off all power and use light air pressure to blow dust and foreign material from cylinder head, motor, fan blades, air lines, intercooler and tank on a monthly basis.

### BELTS

**⚠ WARNING** *Lock out and tag the power then release all pressure from the tank to prevent unexpected movement of the unit.*

Check belt tension every 3 months. Adjust belt tension to allow 3/8 to 1/2" deflection with normal thumb pressure. Also, align belts using a straight edge against the face of the flywheel and

## MAINTENANCE SCHEDULE

Operation	Daily	Weekly	Monthly	3 Months
Check Safety Valve	●			
Drain Tank (See Figure 6)	●			
Check Oil Level	●			
Clean or Change Air Filter			●	
Check Intercooler (two-stage compressors only)		●		
Clean Unit Components			●	
Check Belt Tightness				●
Change Oil (See Figure 5)				●
Change Oil Filter (Pressure lubricated pumps only)				●

## Maintenance (Cont.)

touching the rim on both sides of the face. The belts should be parallel to this straight edge (see Figure 9). Dimension A should be the same as B and C to ensure proper alignment of the belts. Slots in the bed-plate allow for sliding

the motor back and forth to adjust belt tension.

### STORAGE

If compressor is to be stored for a short period of time, make sure that it is stored in a normal position and in a cool protected area.

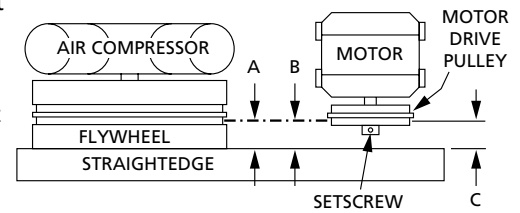


Figure 9 - Top View

## Troubleshooting Chart

Symptom	Possible Cause(s)	Corrective Action
Motor hums and runs slowly or not at all	<ol style="list-style-type: none"> <li>1. Low voltage or no voltage</li> <li>2. Shorted or open motor winding</li> <li>3. Malfunctioning check valve or unloader valve</li> <li>4. Malfunctioning pressure switch - contacts will not close</li> </ol>	<ol style="list-style-type: none"> <li>1. Check with voltmeter, check overload relay in magnetic starter or reset switch on motor. If overload or reset switch trips repeatedly, find and correct the cause. See next item</li> <li>2. Replace motor</li> <li>3. Replace check valve or unloader valve</li> <li>4. Repair or replace pressure switch</li> </ol>
Reset mechanism cuts out repeatedly or fuses blow repeatedly	<ol style="list-style-type: none"> <li>1. Pressure switch set too high</li> <li>2. Malfunctioning check valve</li> <li>3. Incorrect fuse size or magnetic starter heaters</li> <li>4. Malfunctioning motor</li> <li>5. Loose Wiring</li> </ol>	<ol style="list-style-type: none"> <li>1. Adjust or replace</li> <li>2. Clean or replace faulty valve</li> <li>3. Be sure that fuses and heaters are rated properly</li> <li>4. Replace motor</li> <li>5. Check all electrical connections</li> </ol>
Excessive noise in operation	<ol style="list-style-type: none"> <li>1. Loose pulley, flywheel, belt, belt guard, etc</li> <li>2. Lack of oil in crankcase</li> <li>3. Compressor floor mounting loose</li> <li>4. Malfunctioning check valve</li> </ol>	<ol style="list-style-type: none"> <li>1. Tighten</li> <li>2. Check for damage to bearings, replenish oil</li> <li>3. Shim to level and tighten or place on isolator pads</li> <li>4. Replace check valve</li> </ol>
Milky oil in oil reservoir	Water condensing in crankcase due to high humidity	Pipe air intake to less humid air source. Run pump continuously for one hour
Excessive oil consumption or oil in air lines	<ol style="list-style-type: none"> <li>1. Be sure there is a problem</li> <li>2. Restricted air intake</li> <li>3. Wrong oil viscosity</li> <li>4. Worn piston rings</li> <li>5. Oil leaks</li> <li>6. Scored cylinder</li> </ol>	<ol style="list-style-type: none"> <li>1. Diagnose oil contamination problems by testing the discharge air or measuring oil consumption from the crankcase</li> <li>2. Clean or replace air filter</li> <li>3. Drain oil. Refill with oil of proper viscosity</li> <li>4. Replace rings</li> <li>5. Tighten bolts, replace gaskets or o-rings</li> <li>6. Replace cylinder</li> </ol>
Water in discharge air	<ol style="list-style-type: none"> <li>1. Excessive water in tank</li> <li>2. Hot, humid weather</li> </ol>	<ol style="list-style-type: none"> <li>1. Drain tank</li> <li>2. Purchase dryer</li> </ol>
Air blowing out of inlet	<ol style="list-style-type: none"> <li>Broken first stage inlet valve (two-stage unit)</li> <li>Broken inlet valve (single stage unit)</li> </ol>	Replace valve assembly
Insufficient pressure	<ol style="list-style-type: none"> <li>1. Air demand too high</li> <li>2. Leaks or restrictions in hoses or piping</li> <li>3. Slipping belts</li> </ol>	<ol style="list-style-type: none"> <li>1. Limit air usage</li> <li>2. Check for leaks or restriction in hose or piping</li> <li>3. Tighten belts</li> </ol>
Tank does not hold pressure when compressor is off and shutoff valve is closed	<ol style="list-style-type: none"> <li>1. Worn check valve</li> <li>2. Check all connections and fittings for tightness</li> <li>3. Check tank for cracks or pin holes</li> </ol>	<ol style="list-style-type: none"> <li>1. Replace check valve</li> <li>2. Tighten</li> <li>3. Replace tank. Never repair a damaged tank</li> </ol>
		<b>⚠ DANGER</b> Do not disassemble check valve with air in tank
Excessive belt wear. (Light dust from start is normal. Worn belts separate at layers)	<ol style="list-style-type: none"> <li>1. Pulley out of alignment</li> <li>2. Belts too tight or too loose</li> </ol>	<ol style="list-style-type: none"> <li>1. Realign motor pulley</li> <li>2. Adjust tension</li> </ol>
Tank pressure builds slowly	<ol style="list-style-type: none"> <li>1. Dirty air filter</li> <li>2. Blown cylinder head gasket</li> <li>3. Worn/broken intake/discharge valves</li> <li>4. Air leaks</li> </ol>	<ol style="list-style-type: none"> <li>1. Clean or replace filter element</li> <li>2. Install new gasket</li> <li>3. Install new valve plate assembly</li> <li>4. Tighten joints</li> </ol>
Tank pressure builds up quickly on compressor	Excessive water in tank	Drain tank, check speed. See Performance table
ASME safety valve pops open while compressor is running	<ol style="list-style-type: none"> <li>1. Wrong pressure switch setting</li> <li>2. Malfunctioning ASME safety valve</li> <li>3. Pressure switch contacts welded</li> </ol>	<ol style="list-style-type: none"> <li>1. Adjust to lower pressure (175 psi maximum for two-stage unit or 135 psi for single stage unit) (See Operation)</li> <li>2. Replace ASME safety valve</li> <li>3. Replace pressure switch</li> </ol>
Pressure switch continuously blows air out the unloader valve	Malfunctioning check valve	Replace the check valve if the unloader valve bleeds off constantly
Pressure switch unloader valve does not release air when the unit shuts off	Malfunctioning unloader valve on pressure switch	Replace the pressure switch if the unit does not hiss for a short period of time when the unit shuts off
Interstage safety valve pops off while the unit is running	<ol style="list-style-type: none"> <li>1. Head gasket or the gasket in the valve plate assembly blown</li> <li>2. Valve not seating properly</li> <li>3. Malfunctioning safety valve</li> </ol>	<ol style="list-style-type: none"> <li>1. Replace valve plate and gaskets</li> <li>2. Replace valve plate and gaskets</li> <li>3. Replace safety valve</li> </ol>
Interstage safety valve pops off after the unit shuts off	Malfunctioning tank check valve	Replace the check valve

**Limited Warranty**

1. DURATION: From the date of purchase by the original purchaser as follows: Standard Duty - One Year; Serious Duty - Two Years; Extreme Duty - Three Years; Maxus Model Series - Five Years.
2. WHO GIVES THIS WARRANTY (WARRANTOR):  
Campbell Hausfeld / Scott Fetzer Company, 100 Production Drive, Harrison, Ohio, 45030, Telephone: (800) 543-6400
3. WHO RECEIVES THIS WARRANTY (PURCHASER): The original purchaser (other than for purposes of resale) of the Campbell Hausfeld compressor.
4. WHAT PRODUCTS ARE COVERED BY THIS WARRANTY: Any Campbell Hausfeld air compressor.
5. WHAT IS COVERED UNDER THIS WARRANTY: Substantial defects due to material and workmanship with the exceptions noted below.
6. WHAT IS NOT COVERED UNDER THIS WARRANTY:
  - A. Implied warranties, including those of merchantability and FITNESS FOR A PARTICULAR PURPOSE ARE LIMITED FROM THE DATE OF ORIGINAL PURCHASE AS STATED IN THE DURATION. If this compressor is used for commercial, industrial or rental purposes, the warranty will apply for ninety (90) days from the date of purchase. Extreme Duty Contractor Compressors are not limited to a ninety (90) day warranty when used in contractor applications. Four cylinder single-stage and two-stage compressors are not limited to a ninety (90) day warranty when used in commercial or industrial applications. Some States do not allow limitations on how long an implied warranty lasts, so the above limitations may not apply to you.
  - B. ANY INCIDENTAL, INDIRECT, OR CONSEQUENTIAL LOSS, DAMAGE, OR EXPENSE THAT MAY RESULT FROM ANY DEFECT, FAILURE, OR MALFUNCTION OF THE CAMPBELL HAUSFELD PRODUCT. Some States do not allow the exclusion or limitations of incidental or consequential damages, so the above limitation or exclusion may not apply to you.
  - C. Any failure that results from an accident, purchaser's abuse, neglect or failure to operate products in accordance with instructions provided in the owner's manual(s) supplied with compressor.
  - D. Pre-delivery service, i.e. assembly, oil or lubricants, and adjustment.
  - E. Items or service that are normally required to maintain the product, i.e. lubricants, filters and gaskets, etc.
  - F. Gasoline engines and components are expressly excluded from coverage under this limited warranty. The Purchaser must comply with the warranty given by the engine manufacturer which is supplied with the product.
  - G. Additional items not covered under this warranty:
    1. All Compressors
      - a. Any component damaged in shipment or any failure caused by installing or operating unit under conditions not in accordance with installation and operation guidelines or damaged by contact with tools or surroundings.
      - b. Pump or valve failure caused by rain, excessive humidity, corrosive environments or other contaminants.
      - c. Cosmetic defects that do not interfere with compressor functionality.
      - d. Rusted tanks, including but not limited to rust due to improper drainage or corrosive environments.
      - e. Electric motors, check valves and pressure switches after the first year of ownership.
      - f. Drain cocks.
      - g. Damage due to incorrect voltage or improper wiring.
      - h. Other items not listed but considered general wear parts.
      - i. Pressure switches, air governors and safety valves modified from factory settings.
    2. Lubricated Compressors
      - a. Pump wear or valve damage caused by using oil not specified.
      - b. Pump wear or valve damage caused by any oil contamination or by failure to follow proper oil maintenance guidelines.
    3. Belt Drive / Direct Drive / Gas Driven Compressors
      - a. Belts.
      - b. Ring wear or valve damage from inadequate filter maintenance.
      - c. Manually adjusted load/unload and throttle control devices.
7. RESPONSIBILITIES OF WARRANTOR UNDER THIS WARRANTY: Repair or replace, at Warrantor's option, compressor or component which is defective, has malfunctioned and/or failed to conform within duration of the warranty period.
8. RESPONSIBILITIES OF PURCHASER UNDER THIS WARRANTY:
  - A. Provide dated proof of purchase and maintenance records.
  - B. Portable compressors or components must be delivered or shipped to the nearest Campbell Hausfeld Authorized Service Center. Freight costs, if any, must be borne by the purchaser.
  - C. Use reasonable care in the operation and maintenance of the products as described in the owner's manual(s).
9. WHEN WARRANTOR WILL PERFORM REPAIR OR REPLACEMENT UNDER THIS WARRANTY: Repair or replacement will be scheduled and serviced according to the normal work flow at the servicing location, and depending on the availability of replacement parts.

This Limited Warranty applies in the U.S., Canada and Mexico only and gives you specific legal rights. You may also have other rights which vary from State to State or country to country.



S'il vous plaît lire et conserver ces instructions. Lire attentivement avant de monter, installer, utiliser ou de procéder à l'entretien du produit décrit. Se protéger ainsi que les autres en observant toutes les instructions de sécurité, sinon, il y a risque de blessure et/ou dégâts matériels! Conserver ces instructions comme référence.

# Compresseurs d'Air

## Description

Les compresseurs d'air sont conçus pour fournir de l'air comprimé aux outils pneumatiques, pistolets pulvérisateurs, vannes pneumatiques et actionneurs. Les pompes fournies avec ces modèles ont des roulements lubrifiés. Un peu d'huile sera présent dans l'air comprimé initial. Il est nécessaire d'utiliser un filtre pour les applications qui exigent l'air qui est libre de l'huile. Les compresseurs d'air doivent être installés sur un plancher solide. N'importe quel autre usage de ces modèles pourra annuler la garantie et le fabricant niera toute responsabilité pour problèmes ou dommages résultant de mauvais usage. Se référer au "Manuel de Pièces de Rechange" ci-inclus pour l'identification du compresseur (une étage ou deux étages).

## Directives de Sécurité

Ce manuel contient de l'information très importante qui est fournie pour la SÉCURITÉ et pour ÉVITER LES PROBLÈMES D'ÉQUIPEMENT. Rechercher les symboles suivants pour cette information.

### **⚠ DANGER**

**Danger indique une situation hasardeuse imminente qui, si pas évitée, résultera en perte de vie ou blessures graves.**

### **⚠ AVERTISSEMENT**

**Avertissement indique une situation hasardeuse potentielle qui, si pas évitée, pourrait résulter en perte de vie ou blessures graves.**

### **⚠ ATTENTION**

**Attention indique une situation hasardeuse potentielle qui, si pas évitée, pourrait résulter en blessures.**

### **AVIS**

**Avis indique de l'information important pour éviter le dommage de l'équipement.**

## Déballage

Lors du déballage, l'examiner soigneusement pour rechercher toute trace de dommage susceptible de s'être produit en cours de transport. Serrer tous raccords, boulons, etc., avant d'utiliser le modèle.

**⚠ AVERTISSEMENT** *Ne pas utiliser un modèle qui a été endommagé pendant le transport, la manipulation ou l'utilisation. Le dommage peut résulter en explosion et peut causer des blessures ou dégâts matériels.*

## Généralités sur la Sécurité

Puisque le compresseur d'air et les autres pièces détachées (pompe, pistolets, filtres, graisseurs, tuyaux, etc.) font partie d'un système de haute pression, il est nécessaire de suivre les précautions suivantes:

1. Lire attentivement tous manuels compris avec ce produit. Bien se familiariser avec les commandes et l'utilisation correcte de l'équipement.
2. Suivre tous les codes d'électricité et de sécurité locaux ainsi que: National Electrical Codes (NEC) et Occupational Safety and Health Act (OSHA) des É.-U.
3. Seules les personnes bien familiarisées avec ces règles d'utilisation doivent être autorisées à se servir du compresseur.
4. Garder les visiteurs à l'écart de/et NE JAMAIS permettre les enfants dans l'endroit de travail.
5. Utiliser des lunettes de sécurité et la protection auditive pendant l'utilisation du modèle.
6. Ne pas se tenir debout sur/ou utiliser le modèle comme une prise.
7. Inspecter le système d'air comprimé et pièces détachées électriques pour



## **⚠ DANGER**

### **Avertissement D'Air Respirable**

Ce compresseur/pompe N'EST PAS équipé pour et NE DEVRAIT PAS être utilisé "comme soi" pour fournir de l'air respirable. En cas d'applications d'air pour la consommation humaine, le compresseur d'air/pompe doit être équipé avec de l'équipement de sécurité en canalisation et d'alarme. Cet équipement additionnel est nécessaire pour filtrer et purifier l'air afin d'atteindre les spécifications minimales pour la respiration Grade D décrite dans le Compressed Gas Association Commodity Specification G 7.1 - 1966, OSHA 29 CFR 1910. 134, and/or Canadian Standards Associations (CSA).

### **DÉNÉGATION DES GARANTIES**

Si le compresseur est utilisé pour les applications d'air respirable et l'équipement de sécurité en canalisation et d'alarme n'est pas utilisé simultanément, les garanties en existence seront annulées, et la compagnie nie toute responsabilité quoi que ce soit pour n'importe quel perte, blessure personnelle ou dégât matériel.

- toute indication de dommage, détérioration, faiblesse ou fuites avant chaque utilisation. Réparer ou remplacer toutes pièces défectueuses avant l'utilisation.
8. Inspecter le degré de serrage de toutes attaches par intervalles régulières.

### **⚠ AVERTISSEMENT**

**Les moteurs, l'équipement et les commandes électriques peuvent causer des arcs électriques qui peuvent allumer un gaz ou une vapeur inflammable. Ne jamais utiliser ou réparer le modèle près d'un gaz ou d'une vapeur inflammable. Ne jamais entreposer les liquides ou gaz inflammables près du compresseur.**



**MÉMENTO:** Gardez votre preuve datée d'achat à fin de la garantie!  
Joignez-la à ce manuel ou classez-la dans un dossier pour plus de sécurité.

## Généralités sur la Sécurité (Suite)

### ⚠️ AVERTISSEMENT

Ne jamais utiliser un compresseur sans carter de courroie. Ce modèle peut se démarrer sans avis. Le contact avec les pièces mobiles peut causer des blessures personnelles ou dégâts matériels.



- Ne pas porter les vêtements flottants ni la bijouterie qui peuvent se prendre dans les pièces mobiles du modèle.

### ⚠️ ATTENTION

Les pièces du compresseur peuvent être chaudes même si le modèle n'est pas en marche.



- Garder les doigts à l'écart d'un compresseur qui est en marche; les pièces mobiles et chaudes peuvent causer des blessures et/ou brûlures.
- Si le compresseur vibre anormalement, ARRÊTER le moteur et l'inspecter immédiatement. La vibration est généralement une indication d'un problème.
- Pour réduire le risque d'incendie, garder l'extérieur du moteur libre d'huile, de solvant ou de graisse excessive.

### ⚠️ AVERTISSEMENT

Pour ce compresseur, c'est indispensable d'installer une soupape de décharge selon les normes de sûreté ASME avec un réglage non supérieur à la Pression Maximale de Service Permises (MAWP) sur la tuyauterie ou le réservoir. La soupape de sûreté ASME doit avoir une classification de débit et de pression suffisante afin de protéger les pièces détachées sous pression contre l'éclatement. La soupape de sûreté dans le refroidisseur ne fournit pas de protection pour le système.

### ⚠️ ATTENTION

La pression maximale de service est 1207 kPa pour les compresseurs à deux étages et 931 - 1034 kPa pour les compresseurs à une étage. Ne pas utiliser avec des manostats ou des soupapes qui sont réglés à plus que 1207 kPa (deux étages) ou 931 - 1034 kPa (une étage).

- Ne jamais essayer d'ajuster la soupape de sûreté ASME. Garder la soupape de sûreté libre de peinture et autres accumulations.



### ⚠️ DANGER

Ne jamais essayer de réparer ni de modifier un réservoir! Le soudage, le perçage ou autre modifications peuvent affaiblir le réservoir et peut résulter en dommage de rupture ou d'explosion. Toujours remplacer un réservoir usé, fendu ou endommagé.

## AVIS

Purger le liquide du

réservoir quotidiennement.

- L'accumulation d'humidité cause la rouille qui peut affaiblir le réservoir. Purger le réservoir quotidiennement et l'inspecter périodiquement pour la rouille et la corrosion ou autre dommage.
- L'air mouvante peut agiter la poussière et le débris qui peut être dangereux. Lâcher l'air lentement en purgeant l'humidité ou pendant la dépressurisation du système de compresseur.

### PRÉCAUTIONS DE PULVÉRISATION

#### ⚠️ AVERTISSEMENT

Ne pas pulvériser les matériaux inflammables dans un endroit de flamme ouverte ni près d'une source d'ignition y compris le compresseur.



- Ne pas fumer pendant la pulvérisation de la peinture, d'insecticides ou autres matières inflammables.
- Utiliser un masque/respirateur pendant la pulvérisation et pulvériser dans un endroit bien aéré pour éviter le risque de blessures et d'incendie.
- Ne pas diriger la peinture ou autre matériel pulvérisé vers le compresseur. Situer le compresseur aussi loin que possible de l'endroit de pulvérisation pour réduire l'accumulation de surpulvérisation sur le compresseur.
- Suivre les instructions du fabricant pendant la pulvérisation ou le nettoyage avec des solvants ou produits chimiques toxiques.



## Installation

#### ⚠️ AVERTISSEMENT

Débrancher, étiquetter et verrouiller la source de puissance électrique et dissiper toute la pression du système avant d'essayer d'installer, réparer, déplacer ou de procéder à l'entretien du modèle.



#### ⚠️ ATTENTION

Ne pas soulever ni déplacer le modèle sans équipement convenable et s'assurer que le modèle soit bien fixé à l'appareil de lavage. Ne pas soulever le modèle avec les tuyaux ou les refroidisseurs. Ne pas utiliser le modèle pour soulever d'autre équipement qui est attaché au compresseur.

#### ⚠️ ATTENTION

Ne jamais utiliser les palettes d'expédition pour monter le compresseur.

Installer et utiliser le modèle au moins de 61 cm d'une obstruction et dans un

endroit propre et bien ventilé. La température de l'air dans l'endroit ne devrait pas dépasser 37,8° C. Ceci assure un débit d'air sans obstruction pour refroidir le compresseur et permet de l'espace pour l'entretien.

#### ⚠️ ATTENTION

Ne pas situer la prise d'air du compresseur près de vapeurs, pulvérisation de peinture, endroits de décapage au sable ou n'importe quelle autre source de contamination.

**REMARQUE:** Si le compresseur est utilisé dans un endroit chaud et humide, il est nécessaire de fournir le compresseur avec de l'air extérieur propre et sec. Cet air devrait être canalisé d'une source externe.

### MONTAGE DU RÉSERVOIR

Le réservoir devrait être boulonné dans un plancher en béton plat et égal ou sur une fondation en béton séparée. Utiliser des tampons isolateurs entre la jambe du réservoir et le plancher. Les tampons isolateurs MP345800AJ sont recommandés pour les modèles horizontaux. Les tampons isolateurs MP345700AJ sont recommandés pour les modèles verticaux. **Ne pas trop serrer les boulons** en utilisant les tampons isolateurs afin de permettre que les tampons absorbent les vibrations. Un tuyau ou raccord flexible doit être installé entre le réservoir et la tuyauterie de service.

#### ⚠️ AVERTISSEMENT

Manque d'installer le réservoir correctement peut causer des fentes aux joints soudés et la possibilité d'éclatement.



### TUYAUTERIE

#### ⚠️ AVERTISSEMENT

Ne jamais utiliser les tuyaux en plastique (CPV) pour l'air comprimé. Ceci peut résulter en blessures graves ou perte de vie.

N'importe quel tube, tuyau ou tuyau flexible branché au modèle doit pouvoir résister la température qui est produit et doit conserver la pression. Toutes les pièces détachées pressurisées du système d'air doivent avoir une classification de pression de plus que ou égal au réglage de la soupape de sûreté ASME de 1379 kPa pour les compresseurs à deux étages ou 1034 kPa pour les compresseurs à une étage. La sélection ou l'installation incorrecte de n'importe quel tube, tuyau ou tuyau flexible peut résulter en éclatement et en blessures.

### INSTALLATION D'UNE SOUPAPE D'ARRÊT

Brancher le système de tuyauterie au réservoir en utilisant un raccord de même taille que celui de l'orifice de décharge.

## Installation (suite)

Une soupape d'arrêt devrait être installée sur l'orifice de décharge du réservoir pour régler le débit d'air du réservoir. La soupape devrait être située entre le réservoir et le système de tuyauterie.

**⚠ AVERTISSEMENT** *Ne jamais installer une soupape d'arrêt entre la pompe du compresseur et le réservoir. Ceci peut résulter en blessures personnelles et/ou dommage à l'équipement. Ne jamais utiliser un appareil de réduction dans le tuyau flexible de refoulement.*

Pour un système d'installation permanent pour la distribution d'air comprimé, calculer la longueur du système et choisir la taille du tuyau selon le tableau. Enterrer les lignes souterraines sous le niveau de gélée et éviter les poches où la condensation pourrait s'accumuler et geler.

Appliquer la pression d'air à la tuyauterie et assurer que toutes les jointures sont

### TAILLE DE TUYAU MINIMUM POUR CANALISATION D'AIR COMPRIMÉ

Longueur Du Système	m <sup>3</sup> /min			
	7,6m	15,2m	30,5m	76,2m
0,28	1,3cm	1,3cm	1,9cm	1,9cm
0,57	1,9	1,9	1,9	2,5
1,13	1,9	2,5	2,5	2,5
1,70	1,9	2,5	2,5	2,5
2,83	2,5	2,5	2,5	3,2

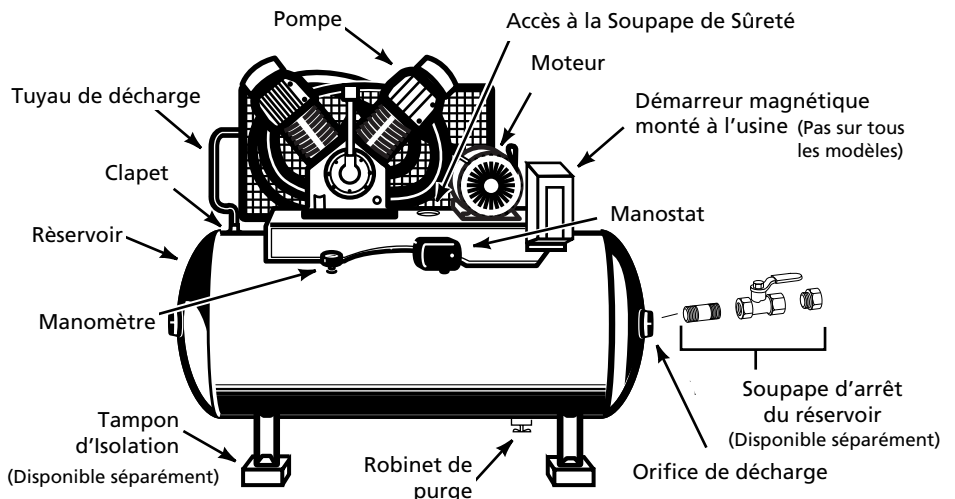


Figure 2 - Identification typique de l'unité horizontale

sans fuites AVANT de couvrir les lignes souterraines. Rechercher et réparer toutes les fuites dans les tuyaux et raccords avant d'utiliser le compresseur.

### INSTALLATION DE FILS

**⚠ AVERTISSEMENT** *Seul un électricien qualifié doit effectuer les connexions électriques et l'installation de fils. L'installation doit conformer aux codes locaux et nationaux.*

**⚠ ATTENTION** *L'installation de fils incorrecte peut résulter en surchauffage, court-circuit et incendie.*

L'installation de fils doit conformer aux National Electrical Code et aux codes et règlements locaux concernant les appareils électriques et l'installation de fils. Consulter avec et observer ceux-ci. Utiliser la taille correcte de fil et assurer que:

1. L'ampérage du service soit suffisant.
2. La ligne d'alimentation corresponde au moteur (tension, cycles et phase).
3. La taille du fil de ligne est correcte et qu'il n'y a pas d'autre équipement qui fonctionne sur la même ligne. Le

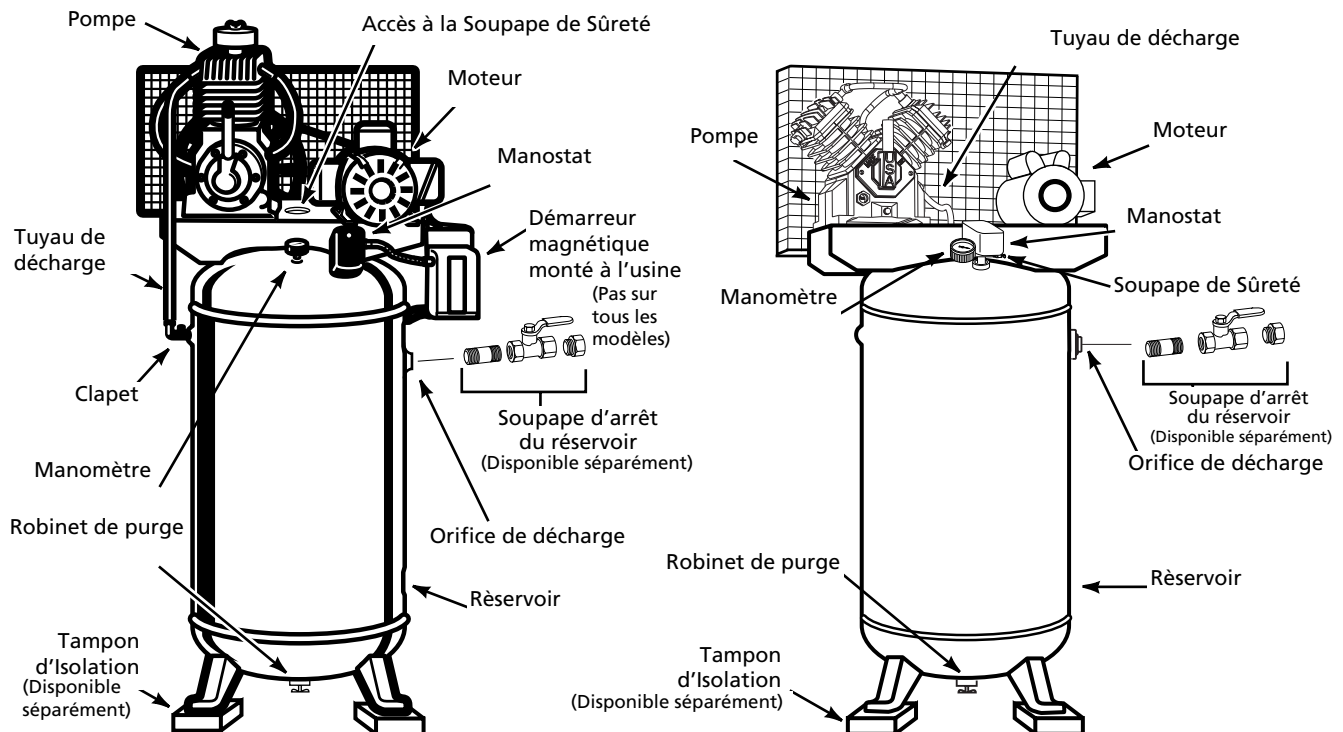


Figure 1 - Identification typique de l'unité verticale

## Installation (Suite)

tableau indique la taille minimum de fil pour les installations de compresseurs. Les tailles recommandées peuvent être plus large que le minimum exigé par les règlements locaux. En ce cas, la taille plus large devrait être utilisée pour éviter une perte de tension. Le prix d'un fil plus large est minimal en comparaison au prix d'un moteur ou réparation du moteur.

### TAILLE DE FIL MINIMUM UTILISER LE FIL EN CUIVRE 75°C

HP	Amps	Mono-Phasé		Triphasé	
		230V	208/230V	460/575V	
SPL	up to 22,0	10 AWG			
5,0		8 AWG	12 AWG	14 AWG	
7,5		8 AWG	10 AWG	12 AWG	
10,0		N/A	8 AWG	12 AWG	
15,0		N/A	6 AWG	10 AWG	
25,0		N/A	3 AWG	8 AWG	

### MISE À LA TERRE

#### ⚠ DANGER

Les composants électriques qui ne sont pas correctement mis à la terre tiennent le risque de secousse électrique. S'assurer que toutes les pièces soient mises à la terre correctement pour éviter les blessures personnelles ou la perte de vie.



Ce produit doit être mis à la terre pour diminuer le risque de secousse électrique en fournissant un fil d'échappement s'il y arrive un court-circuit. Ce produit doit être installé avec et utilisé avec un cordon d'alimentation qui a un fil de terre.

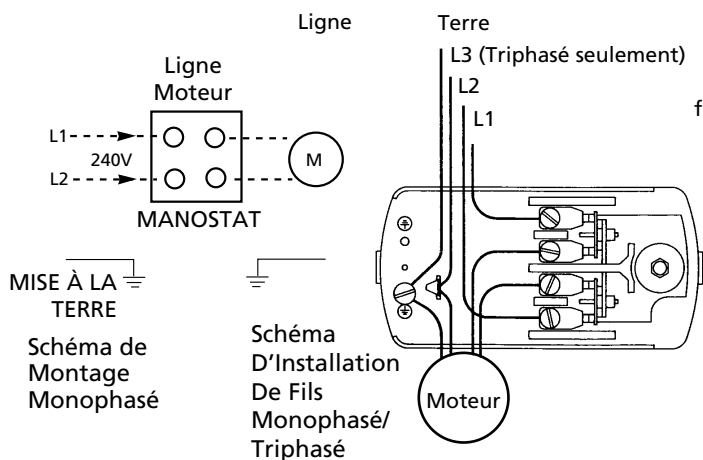


Figure 3 - Pour Les Moteurs De Taille R56HZ, Y56Y ou L143T. Se Référer À La Plaque Indicatrice Sur Le Moteur

## BRANCHEMENT DU MOTEUR ET INSTALLATION DU DÉMARREUR

La protection de branchement doit être fournie selon le code des États-Unis; National Electrical Code, Chapter 2, "Wiring Design and Protection." Article 210, dans l'article "For Motors and Motor Controllers," (Article 430, Table 430-1 52).

**IMPORTANT:** La protection contre les surcharges est exigée pour tous les moteurs. Certains moteurs ont la protection contre les surcharges incorporée. Se référer à la taille du bâti indiquée sur la plaque indicatrice du moteur afin de déterminer si un moteur a la protection contre les surcharges incorporée.

La protection contre les surcharges est incorporée sur les moteurs de taille R56HZ, Y56Y et L143T. Aucun dispositif protecteur additionnel est exigé. Utiliser le schéma d'installation de fils sur la Figure 3. La protection contre les surcharges N'EST PAS incorporée sur les moteurs de taille 184T, 215T, 254T et 284T. Un démarreur magnétique est exigé. Utiliser le schéma d'installation de fils sur la Figure 4.

Changement de la tension alternative sur les moteurs triphasés de classification 230/460:

1. Remettre à neuf la canalisation électrique selon la plaque de données située sur le moteur ou selon les instructions.
2. Vérifier la classification électrique du démarreur magnétique et remplacer les pièces détachées du protecteur de surcharge thermique ou le démarreur magnétique si nécessaire. La classification en tension et en

ampères est indiquée sur la plaque indicatrice du moteur.

### SENS DE ROTATION

**REMARQUE:** La rotation incorrecte peut diminuer la durée du modèle. Le sens de rotation doit être dans le sens contraire des aiguilles d'une montre (indiquée par une flèche sur le volant) quand vous êtes en face du volant. La plaque indicatrice du moteur indique l'information pour l'installation des fils pour la rotation au sens contraire des aiguilles d'une montre. La direction correcte est très importante. Le sens de rotation pour un moteur triphasé peut être inversé en échangeant deux fils. Pour moteurs monophasés, se référer à la plaque indicatrice du moteur.

## Fonctionnement

**IMPORTANT:** Vérifier la rotation du moteur avant d'utiliser le compresseur. Toutes les pompes de compresseur graissées débitent un peu d'humidité et d'huile avec l'air comprimé. Installer l'équipement pour l'enlèvement d'eau/huile et commandes convenables à l'application.

#### AVIS

Manque d'installer

**l'équipement pour l'enlèvement d'eau/huile peut endommager les machines ou l'objet de travail.**

### CARTERS

#### ⚠ DANGER

Le carter de courroie fournit doit être installé avant l'utilisation du modèle.

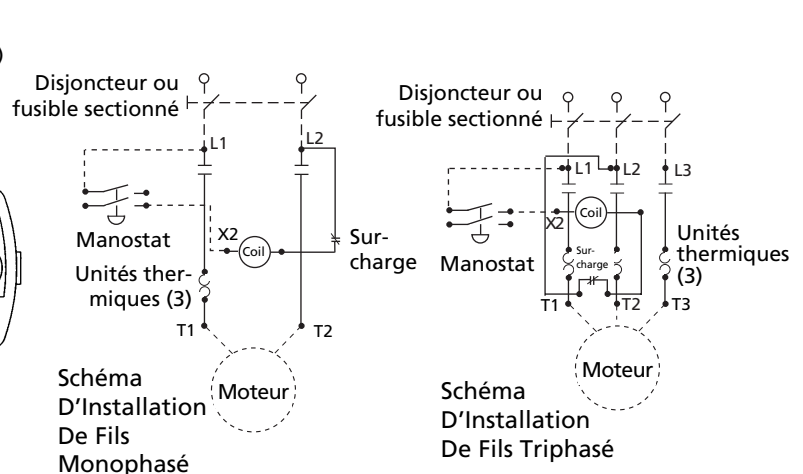


Figure 4 - Pour Les Moteurs De Taille 184T, 215T, 254T ou 284T. Se Référer À La Plaque Indicatrice Sur Le Moteur

## Fonctionnement (Suite)

Toutes les pièces mobiles doivent être protégées. Tous les couvercles électriques doivent être installés avant de mettre en circuit.

### GRAISSAGE

**ATTENTION** *CE MODÈLE NE CONTIENT PAS D'HUILE. Avant d'utiliser le compresseur. Remplir jusqu'au centre du regard ou jusqu'à la marque maximum sur la réglette-jauge (voir Figure 5).*

Il y aura de l'huile résiduel dans la pompe qui laissera une couche mince sur le regard. Il n'y a pas assez d'huile pour faire fonctionner le modèle. Remplir la pompe avec l'huile pour compresseurs sans détergent à viscosité simple ISO 100. On recommande l'huile pour compresseur ST126700AV ou Mobil 1® 5W30 ou aussi l'huile synthétique 10W30. Ajouter l'huile à travers le bouchon de remplissage d'huile seulement. Verser l'huile dans n'importe quel orifice peut causer une fuite ou un jet d'huile pendant le fonctionnement. **Remplir jusqu'au centre du regard ou jusqu'à la marque maximum sur la réglette-jauge (voir Figure 5).**

**ATTENTION** *L'utilisation d'un autre type d'huile pourrait raccourcir la durée de la pompe et endommager les soupapes.*

### RODAGE RECOMMANDÉ

Le compresseur doit fonctionner pour une heure continuellement afin de permettre l'ajustage des segments de piston.

1. Ouvrir le robinet de purge et faire fonctionner le compresseur pour 60 minutes (Voir la Figure 6).
2. Mettre le compresseur hors circuit et fermer le robinet de purge. Le compresseur est maintenant prêt à utiliser.

Si le compresseur est utilisé sous les conditions humides pour durées courtes, l'humidité peut se condenser dans le carter et l'huile peut paraître crémeuse. L'huile qui est contaminée avec de l'eau condensée ne fournit pas de lubrification suffisante et doit être remplacée immédiatement.

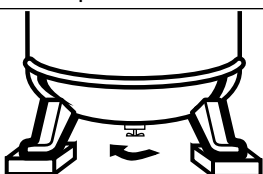


Figure 6 - Ouverture du Robinet de Purge

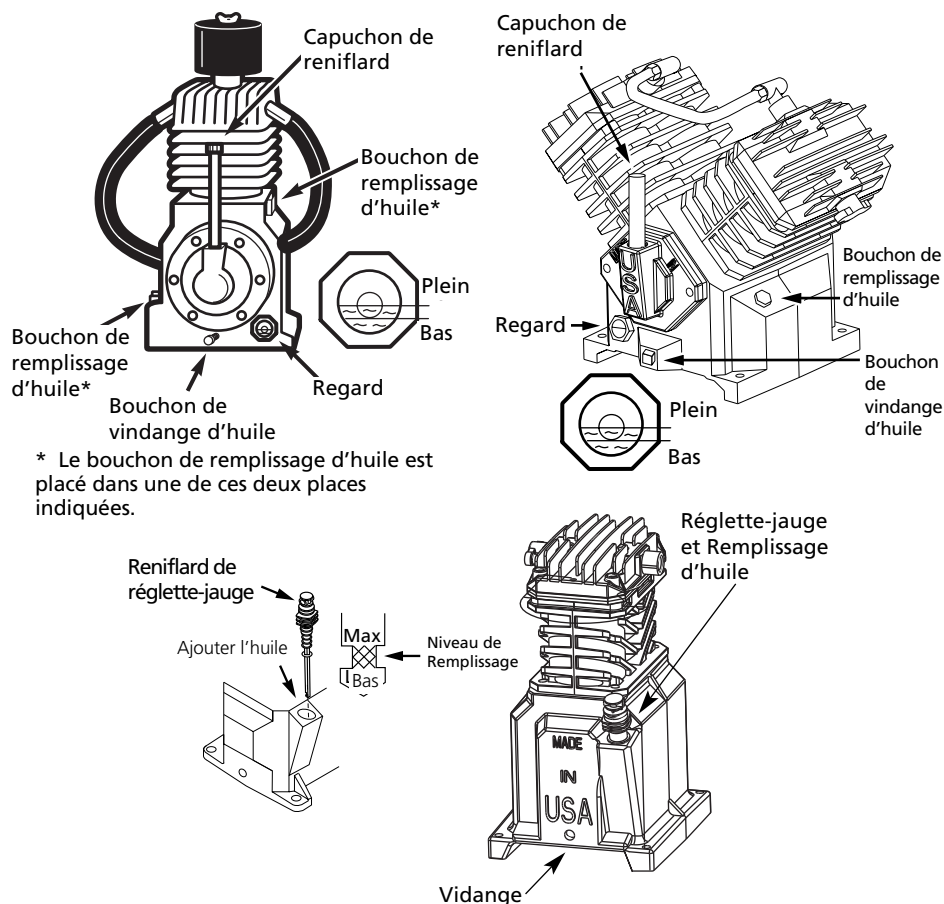


Figure 5 - Schémas De Remplissage D'Huile

L'utilisation de l'huile contaminée peut endommager les roulements, pistons, cylindres et bagues et n'est pas couverte par la garantie. Pour éviter la condensation d'eau dans l'huile, il est nécessaire de faire fonctionner le compresseur à 1034 kPa pour les compresseurs à deux étages ou 827 kPa pour les compresseurs à une étage en ouvrant le robinet de purge ou une soupape d'air qui est branchée au réservoir ou à un tuyau. Faire fonctionner la pompe pendant une heure au moins une fois par semaine ou plus souvent si la condensation se manifeste.

**IMPORTANT:** Changer l'huile après les premières 50 heures de fonctionnement.

**MANOSTAT, DÉMARRAGE - ARRÊT**  
**REMARQUE:** La pression de service maximale du compresseur est 1207 kPa pour les compresseurs à deux étages et 931 kPa pour les compresseurs à une étage. Ne pas altérer les réglages de pression sur les pièces de commandes afin qu'ils dépassent cette limite.

Le compresseur se démarre et s'arrête selon les réglages de manostat qui sont réglés d'avance. Le manostat a un appareil de déchargement qui est une

soupape qui sert à ventiler l'air et permet le démarrage facile du modèle (Voir la Figure 7).

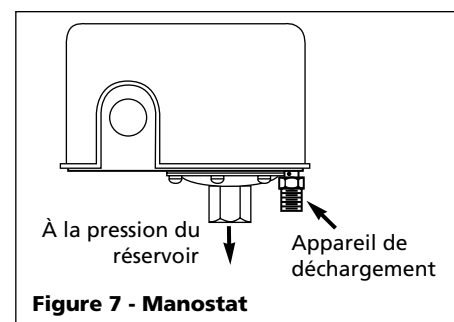


Figure 7 - Manostat

Pour la conversion au fonctionnement continu, il est nécessaire d'installer un appareil de déchargement séparé entre la pompe et le réservoir. Le clapet original doit être enlevé.

### RENIFLARD DU CARTER

Un peu d'huile peut s'accumuler à l'ouverture du reniflard du carter pendant les conditions de fonctionnement sévères ou pendant le premier démarrage. Ceci est normal et diminuera après le rodage et une fois que les segments de piston soient ajustés.

## Entretien

### ⚠️ AVERTISSEMENT

**Débrancher, étiquetter, verrouiller la source de puissance et ensuite dissiper toute la pression du système avant d'essayer d'installer, réparer, déplacer ou de procéder à l'entretien.**



Vérifier le filtre à air et le niveau d'huile avant chaque utilisation afin de garder le système de compresseur en bon état de marche. Inspecter la soupape de sûreté ASME quotidiennement (Voir la Figure 8). Tirer sur la bague de la soupape de sûreté et la laisser revenir à sa position normale. Cette soupape laisse échapper de l'air automatiquement si la pression dans le réservoir dépasse la pression maximale réglée d'avance. Remplacer la soupape de sûreté ASME s'il y a une fuite d'air une fois que la soupape soit lâchée ou si la soupape est grippée.

### ⚠️ AVERTISSEMENT

**Ne pas trifouiller avec la soupape de sûreté ASME.**

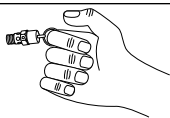


Figure 8

### RÉSERVOIR

#### ⚠️ DANGER

**Ne jamais essayer de réparer ou d'altérer un réservoir! Le soudage, perçage ou n'importe quelle autre modification peut affaiblir le réservoir et peut résulter en rupture ou en explosion. Toujours remplacer les réservoirs usés, fendus ou endommagés.**



#### AVIS

**Purger le réservoir quotidiennement.**

Le réservoir doit être inspecté soigneusement au moins une fois par année. Vérifier pour des fissures près des soudures. S'il y a une fissure, dissiper la pression du réservoir et le remplacer immédiatement.

### GRAISSAGE DU COMPRESSEUR

Voir la section de Fonctionnement. Ajouter de l'huile si nécessaire. Changer l'huile et le filtre chaque trois mois ou après chaque 500 heures d'opération, selon laquelle arrive en premier. Seulement les pompes à graissage sous

## HORAIRE D'ENTRETIEN

Fonctionnement	Quotidien- nement	Semaine	Mensuel- lement	3 Mois
Vérifier la soupape de sûreté	●			
Purger le réservoir (Voir la Figure 6)	●			
Vérifier le niveau d'huile	●			
Nettoyer ou changer le filtre à air			●	
Vérifier le refroidisseur (compresseurs à deux étages)		●		
Nettoyer les pièces du modèle			●	
Vérifier le serrage de la courroie				●
Changer l'huile (Voir la Figure 5)				●
Changer filtre d'huile (Pour pompes à graissage pressurisé seulement)				●

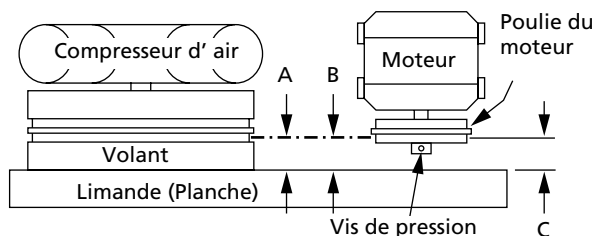


Figure 9

pression ont un filtre à l'huile.

### FILTRE À AIR

Ne jamais utiliser le compresseur sans un filtre à air d'admission ni avec un filtre à air d'admission obstrué. Utiliser de l'air comprimé et souffler sur le filtre pour le nettoyer ou le remplacer si sale. Ne pas laver ni graisser la cartouche. L'utilisation d'un compresseur avec un filtre sale peut augmenter la consommation d'huile et peut augmenter la contamination d'huile dans l'air.

### REFROIDISSEUR (COMPRESSEURS À DEUX ÉTAGES SEULEMENT)

**⚠️ AVERTISSEMENT** *Les ailettes du refroidisseur sont pointues, toujours porter des gants et prendre précaution pendant le nettoyage du refroidisseur ou si vous travaillez près du refroidisseur.*

Vérifier le serrage de tous les raccords du refroidisseur chaque semaine. Souffler la saleté, la poussière et toutes autres accumulations des ailettes du refroidisseur.

### PIÈCES DÉTACHÉES

Mettre hors circuit et utiliser la pression d'air basse pour souffler la poussière et tout autre matériel de la culasse, du moteur, des pales de ventilateur, des canalisations d'air, du refroidisseur et du réservoir mensuellement.

### COURROIES

**⚠️ AVERTISSEMENT** *Mettre hors circuit et étiquetter la source de puissance et dissiper toute pression du réservoir pour éviter le mouvement inattendu du modèle.*

Vérifier la rigidité des courroies chaque 3 mois. Ajuster la rigidité des courroies afin de permettre une déflexion de 0,9 à 1,2 cm avec pression du pouce normale. Aligner les courroies en utilisant une limande contre la face du volant et en touchant le limbe sur les deux bords de la face. Les courroies devraient être parallèles à la limande (Voir la Figure 9). Dimension A devrait être la même que B et C pour assurer l'alignement correct des courroies. Des fentes dans la plaque permettent que le moteur glisse en avant et en arrière pour ajuster la tension de la courroie.

### ENTREPOSAGE

Pour l'entreposage à courte durée, assurer que le compresseur soit entreposé dans sa position normale et dans un endroit frais et protégé.

## Guide de Dépannage

Symptôme	Cause(s) Possible(s)	Mesures Correctives
Le moteur ronron et fonctionne lentement ou pas du tout	<ol style="list-style-type: none"> <li>1. Tension basse ou manque de tension</li> <li>2. Bobinage de moteur raccourci ou ouvert</li> <li>3. Fonctionnement défectueux du clapet ou de la soupape de déchargement</li> <li>4. Fonctionnement défectueux du manostat - les contacts ne se ferment pas</li> </ol>	<ol style="list-style-type: none"> <li>1. Vérifier avec un voltmètre, vérifier le relais de surcharge dans le démarreur magnétique ou rajuster l'interrupteur sur le moteur. Si le disjoncteur à réenclenchement se déclenche à maintes reprises, le problème n'est pas avec le moteur.</li> <li>2. Remplacer le moteur</li> <li>3. Remplacer le clapet ou la soupape de déchargement</li> <li>4. Réparer ou remplacer le manostat</li> </ol>
Appareil de réenclenchement se coupe à maintes reprises ou les fusibles sautent à maintes reprises	<ol style="list-style-type: none"> <li>1. Réglage du manostat trop haut</li> <li>2. Fonctionnement défectueux du clapet</li> <li>3. Taille de fusibles ou chaufferette de démarreur magnétique défectueux</li> <li>4. Fonctionnement défectueux du moteur</li> <li>5. Fils desserrés</li> </ol>	<ol style="list-style-type: none"> <li>1. Ajuster ou remplacer</li> <li>2. Nettoyer ou remplacer la soupape défectueuse</li> <li>3. Vérifier la classification des fusibles et des rechauffeurs</li> <li>4. Remplacer le moteur</li> <li>5. Vérifier tous les raccordements électriques</li> </ol>
Bruit excessif pendant le fonctionnement	<ol style="list-style-type: none"> <li>1. Poulie, volant, courroie, carter de courroie, etc, dégagés</li> <li>2. Manque d'huile dans le carter</li> <li>3. Montage du compresseur dégagé</li> <li>4. Fonctionnement défectueux du clapet</li> </ol>	<ol style="list-style-type: none"> <li>1. Serrer</li> <li>2. Inspecter les roulements pour le dommage, remplir l'huile</li> <li>3. Caler, niveler et serrer ou placer sur des tampons isolateurs</li> <li>4. Remplacer le clapet</li> </ol>
Huile laiteux dans le réservoir d'huile	Condensation d'eau dans le carter causé par l'humidité élevée	Canaliser l'air à une source d'air moins humide. Faire fonctionner la pompe continuellement pour une heure
Consommation d'huile excessive ou huile dans les canalisations d'air	<ol style="list-style-type: none"> <li>1. Vérifier s'il y a un problème</li> <li>2. Restriction à la prise d'air</li> <li>3. Viscosité d'huile incorrecte</li> <li>4. Segments de piston usés</li> <li>5. Fuites d'huile</li> <li>6. Cylindre rayé</li> </ol>	<ol style="list-style-type: none"> <li>1. Diagnostiquer les problèmes de contamination d'huile en vérifiant l'air de débit ou la consommation d'huile du carter</li> <li>2. Nettoyer ou remplacer le filtre d'air</li> <li>3. Vidanger l'huile et remplir à nouveau avec de l'huile de viscosité correcte</li> <li>4. Remplacer les segments de piston</li> <li>5. Serrer les boulons, remplacer les joints d'étanchéités ou les joints toriques</li> <li>6. Remplacer le cylindre</li> </ol>
Eau dans l'air de débit	<ol style="list-style-type: none"> <li>1. Eau excessive dans le réservoir</li> <li>2. Temps chaud et humide</li> </ol>	<ol style="list-style-type: none"> <li>1. Purger le réservoir</li> <li>2. Acheter un sécheur</li> </ol>
Air qui souffle hors de l'orifice d'admission	Soupape d'admission de première étage en panne (compresseur à deux étages) Panne de la soupape d'admission (compresseur à une étage)	Remplacer l'assemblage de soupape
Pression insuffisante	<ol style="list-style-type: none"> <li>1. Demande d'air trop haute</li> <li>2. Fuites ou restrictions dans tuyaux ou tubes</li> <li>3. Patinage de courroies</li> </ol>	<ol style="list-style-type: none"> <li>1. Limiter l'utilisation d'air</li> <li>2. Vérifier pour les fuites ou restrictions dans les tuyaux ou tubes</li> <li>3. Serrer les courroies</li> </ol>
Le réservoir ne tient pas la pression quand le compresseur est hors circuit et la soupape d'arrêt est fermée	<ol style="list-style-type: none"> <li>1. Clapet usé</li> <li>2. Vérifier tous les connexions et les raccordements pour le serrage</li> <li>3. Vérifier le réservoir pour des fentes ou trous d'épingle</li> </ol>	<ol style="list-style-type: none"> <li>1. Remplacer le clapet</li> <li>2. Serrer</li> <li>3. Remplacer le réservoir. Ne jamais réparer un réservoir endommagé</li> </ol>
Usure excessive de courroie. (La poussière légère est normale. Les courroies usées se séparent aux couches)	<ol style="list-style-type: none"> <li>1. Poulie hors d'alignement</li> <li>2. Courroies trop serrées ou dégagées</li> </ol>	<ol style="list-style-type: none"> <li>1. Redresser la poulie du moteur</li> <li>2. Ajuster la tension</li> </ol>
La pression du réservoir s'accumule lentement	<ol style="list-style-type: none"> <li>1. Filtre à air sale</li> <li>2. Joint de culasse de cylindre crevé</li> <li>3. Soupapes d'admission/de sortie usées/cassées</li> <li>4. Fuites d'air</li> </ol>	<ol style="list-style-type: none"> <li>1. Nettoyer ou remplacer la cartouche filtrante</li> <li>2. Installer un nouveau joint</li> <li>3. Installer un nouveau montage de plaque de soupape</li> <li>4. Serrer les joints</li> </ol>
La pression du réservoir s'accumule rapidement sur le compresseur	Eau excessive dans le réservoir	Purger le réservoir. Vérifier la vitesse. Voir le tableau Rendement
Soupape de sûreté ASME s'ouvre pendant que le compresseur fonctionne	<ol style="list-style-type: none"> <li>1. Réglage incorrect du manostat</li> <li>2. Fonctionnement défectueux de la soupape de sûreté ASME</li> <li>3. Contacts du manostat soudés</li> </ol>	<ol style="list-style-type: none"> <li>1. Ajuster afin de baisser la pression (1207 kPa maximum pour les compresseurs à deux étages et 931 kPa pour les compresseurs à une étage) (Voir Fonctionnement)</li> <li>2. Remplacer la soupape de sûreté ASME</li> <li>3. Remplacer le manostat</li> </ol>
Le manostat souffle l'air continuellement de la soupape de déchargement	Fonctionnement défectueux du clapet	Remplacer le clapet si le déchargeur purge continuellement
La soupape de déchargement du manostat ne lâche pas l'air lorsque le modèle s'arrête	Fonctionnement défectueux de la soupape de déchargement sur le manostat	Remplacer le manostat si le modèle ne siffle pas un peu quand le modèle s'arrête
Soupape de sûreté entre étages se claque pendant que le modèle fonctionne	<ol style="list-style-type: none"> <li>1. Joint de culasse ou joint dans le montage de plaque de soupape en panne</li> <li>2. Soupape n'est pas bien ajustée</li> <li>3. Fonctionnement défectueux de la soupape de sûreté</li> </ol>	<ol style="list-style-type: none"> <li>1. Remplacer la plaque de soupape et les joints</li> <li>2. Remplacer la plaque de soupape et les joints</li> <li>3. Remplacer la soupape de sûreté</li> </ol>
Soupape de sûreté entre étages se claque après que le modèle s'arrête	Fonctionnement défectueux du clapet de réservoir	Remplacer le clapet

**DANGER****Ne pas démonter le clapet s'il y a de l'air dans le****réservoir**

2. Serrer

3. Remplacer le réservoir. Ne jamais réparer un réservoir endommagé

**Garantie Limitée**

1. DURÉE: À partir de la date d'achat par l'acheteur original comme suit : Produits À Service Standard (Standard Duty) - Un An; Produits À Service Sérieux (Serious Duty) - Deux Ans; Produits À Service Extrême (Extreme Duty) - Trois Ans; Série Modèle Maxus - Cinq Ans.
  2. GARANTIE ACCORDÉE PAR (GARANT): Campbell Hausfeld/Scott Fetzer Company, 100 Production Drive, Harrison, Ohio, 45030, Téléphone: (800) 543-6400
  3. BÉNÉFICIAIRE DE CETTE GARANTIE (ACHETEUR): L'acheteur original (sauf en cas de revente) du produit Campbell Hausfeld.
  4. PRODUITS COUVERTS PAR CETTE GARANTIE: N'importe quel compresseur d'air Campbell Hausfeld.
  5. COUVERTURE DE LA PRÉSENTE GARANTIE: Défauts de matière et de fabrication considérables avec les exceptions indiquées ci-dessous.
  6. LA PRÉSENTE GARANTIE NE COUVRE PAS:
    - A. Les garanties implicites, y compris celles de commercialisabilité et D'ADAPTION À UNE FONCTION PARTICULIÈRE SONT LIMITÉES À PARTIR DE LA DATE D'ACHAT INITIALE TELLE QU'INDIQUÉE DANS LA SECTION DURÉE. Si ce compresseur d'air est utilisé pour une fonction commerciale ou pour la location, la durée de la garantie sera quatre-vingt-dix (90) jours à compter de la date d'achat. Les Compresseurs À Service Extrême Pour Entrepreneurs ne sont pas limités à une garantie de quatre-vingt-dix (90) jours si utilisés pour applications d'entrepreneur. Les produits à quatre cylindres d'un ou de deux étages ne sont pas limités à une garantie de quatre-vingt-dix (90) jours si utilisés dans les applications commerciales ou industrielles. Quelques Provinces (États) n'autorisent pas de limitations de durée pour les garanties implicites. Les limitations précédentes peuvent donc ne pas s'appliquer.
    - B. TOUT DOMMAGE, PERTE OU DÉPENSE FORTUIT OU INDIRECT POUVANT RÉSULTER DE TOUT DÉFAUT, PANNE OU MAUVAIS FONCTIONNEMENT DU PRODUIT CAMPBELL HAUSFELD. Quelques Provinces (États) n'autorisent pas l'exclusion ni la limitation des dommages fortuits ou indirects. La limitation ou l'exclusion précédente peut ne donc pas s'appliquer.
    - C. Toute panne résultant d'un accident, d'une utilisation abusive, de la négligence ou d'une utilisation ne respectant pas les instructions données dans le(s) manuel(s) accompagnant le produit.
    - D. Service avant livraison; le montage, l'huile ou la graisse et les réglages par exemples.
    - E. Articles ou services qui sont exigés pour l'entretien normal du produit; graisses, filtres et joints d'étanchéités par exemples.
    - F. Les moteurs à essence et les pièces détachées sont expressément exclus de cette garantie limitée. L'acheteur doit observer la garantie du fabricant de moteur qui est fournie avec le produit.
    - G. Articles supplémentaires qui ne sont pas couverts sous cette garantie:
      1. Tous les Compresseurs
        - a. Toutes pièces détachées endommagées pendant l'expédition, n'importe quelle panne causée par un montage ou fonctionnement du modèle sous des conditions qui ne conforment pas aux directives de montage et de fonctionnement ou dommage causée par le contact avec les outils ou les alentours.
        - b. La panne de la pompe ou de la soupape causée par la pluie, l'humidité excessive, un environnement corrosif ou autres polluants.
        - c. Les défauts de forme qui n'ont pas d'effet sur le fonctionnement du compresseur.
        - d. Les réservoirs rouillés, y compris mais pas limités à la rouille causé par le vidange incorrect ou par un environnement corrosif.
        - e. Les moteurs électriques, les clapets, et les manostats suivant la première année de possession.
        - f. Robinets de vidange.
        - g. Dommage dû à la tension ou installation de fils incorrecte.
        - h. Autres articles pas indiqués mais considérés pièces à fatigue générales.
        - i. Manostats, régulateurs d'air et soupapes de sûreté qui ont été modifiés d'après les réglages de l'usine.
      2. Compresseurs Graissés
        - a. Usure de la pompe ou dommage aux soupapes causé par l'utilisation d'huile non-spécifiée.
        - b. Usure de la pompe ou dommage aux soupapes causé par toute contamination d'huile ou par le manque de suivre les directives d'entretien d'huile.
      3. Commande par Courroie / Commande Directe / Compresseurs à Essence
        - a. Courroies
        - b. Usure de bagues causée par l'entretien de filtre insuffisant
        - c. Appareils manuels de chargement/déchargement et appareils de commande d'obturateur.
  7. RESPONSABILITÉS DU GARANT AUX TERMES DE CETTE GARANTIE: Réparation ou remplacement, au choix du Garant, d'un compresseur ou d'une pièce détachée qui se sont révélés défectueux ou qui ne se sont pas conformés pendant la durée de validité de la garantie.
  8. RESPONSABILITÉS DE L'ACHETEUR AUX TERMES DE CETTE GARANTIE:
    - A. Fournir une preuve d'achat datée et un état d'entretien.
    - B. La livraison ou expédition des compresseurs portatifs ou des pièces détachées au Centre De Service Autorisé Campbell Hausfeld. Taux de frais, si applicables, sont la responsabilité de l'acheteur.
    - C. Utilisation et entretien du produit avec un soin raisonnable, ainsi que le décrit le(s) manuel(s) d'utilisation.
  9. RÉPARATION OU REMPLACEMENT EFFECTUÉ PAR LE GARANT AUX TERMES DE LA PRÉSENTE GARANTIE: La réparation ou le remplacement sera prévu et exécuté en fonction de la charge de travail dans le centre de service et dépendra de la disponibilité des pièces de rechange.
- Cette Garantie Limitée s'applique aux É.-U., au Canada et au Mexique seulement et vous donne des droits juridiques précis. L'acheteur peut également jouir d'autres droits qui varient d'une Province, d'un État ou d'un Pays à l'autre.



Sírvase leer y guardar estas instrucciones. Lea con cuidado antes de tratar de armar, instalar, manejar o darle servicio al producto descrito en este manual. Protéjase Ud. y a los demás observando todas las reglas de seguridad. El no seguir las instrucciones podría resultar en heridas y/o daños a su propiedad. Guarde este manual como referencia.

# Compresores de Aire

## Descripción

Estos compresores de aire están diseñados para suministrarle aire comprimido a herramientas neumáticas, válvulas neumáticas y actuadores y operar pistolas pulverizadoras. Los cabezales suministrados con estas unidades tienen cojinetes lubricados con aceite. El aire comprimido suministrado contiene residuos de aceite. Para utilizarlo en aplicaciones que requieran el suministro de aire sin vapores de aceite, le debe instalar un filtro adecuado. El compresor de aire se debe colocar sobre un piso sólido según las instrucciones suministradas. Cualquier otro uso de estas unidades cancelaría la garantía y el fabricante no sería responsable por los problemas o daños ocasionados por dichos usos. Vea el "Manual de Repuestos" incluido donde se identifica si el compresor es de una o dos etapas.

## Medidas de Seguridad

Este manual contiene información que es muy importante que sepa y comprenda. Esta información se la suministramos como medida de SEGURIDAD y para EVITAR PROBLEMAS CON EL EQUIPO. Debe reconocer los siguientes símbolos.

**⚠ PELIGRO** Esto le indica que hay una situación inmediata que LE OCASIONARÍA la muerte o heridas de gravedad.

**⚠ ADVERTENCIA** Esto le indica que hay una situación que PODRÍA ocasionarle la muerte o heridas de gravedad.

**⚠ PRECAUCION** Esto le indica que hay una situación que PODRÍA ocasionarle heridas no muy graves.

**AVISO** Ésto le indica una información importante, que de no seguirla, le podría ocasionar daños al equipo.

## Desempaque

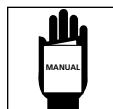
Al desempacar este producto, revíselo con cuidado para cerciorarse de que esté en perfecto estado. Igualmente, cerciórese de apretar todos los pernos, tuercas y conexiones antes de usarlo.

**⚠ ADVERTENCIA** No debe utilizar la unidad si se ha dañado durante el envío, manejo o uso. Los daños podrían ocasionar una explosión y ocasionarle heridas o daños a su propiedad.

## Informaciones Generales de Seguridad

Como el compresor de aire y otros componentes usados (cabezales, pistolas pulverizadoras, filtros, lubricadores, mangueras, etc.), forman parte de un sistema de bombeo de alta presión, deberá seguir las siguientes medidas de seguridad todo el tiempo:

1. Lea con cuidado todos los manuales incluidos con este producto. Familiarícese con los controles y el uso adecuado del equipo.
2. Siga todos los códigos de seguridad laboral y electricidad establecidos en su país, por ejemplo, los de la NEC y OSHA en EUA.
3. Este compresor sólo debe ser usado por personas que estén bien familiarizadas con las reglas de seguridad de manejo.
4. Mantenga a los visitantes alejados y NUNCA permita la presencia de niños en el área de trabajo.
5. Siempre use anteojos de seguridad y protéjase los oídos para operar el cabezal o el compresor.
6. No se encarama sobre el cabezal, ni lo use para sostenerse.
7. Antes de cada uso, inspeccione el sistema de aire comprimido y los



**⚠ PELIGRO**

**Advertencia sobre el aire respirable**

Este compresor/cabezal NO VIENE listo de fábrica para suministrarle aire respirable y NO SE DEBE usar con este fin. Antes de utilizarlos con este fin, deberá instalarle un sistema de seguridad y alarma incorporado a la línea. Este sistema adicional es necesario para filtrar y purificar el aire adecuadamente, para cumplir con las especificaciones mínimas sobre aire respirable de Grado D descritas en la Especificación de Productos G.7.1.1966 de la Asociación de Gases Comprimidos. Igualmente, deberá cumplir los requisitos establecidos por el Artículo 29 CFR 1910.134 de la Organización norteamericana OSHA y/o la Canadian Standards Associations (CSA).

**RENUNCIA A LAS GARANTIAS**

Si el compresor se usa para producir aire respirable sin usarse al mismo tiempo el equipo apropiado de seguridad y alarma incorporado a la línea, todas las garantías existentes quedan anuladas y la empresa no asume ninguna responsabilidad por pérdidas o daños a las cosas o las personas.

- componentes eléctricos para ver si están dañados, deteriorados, desgastados o tienen fugas. Repare o reemplace las piezas dañadas antes de usar el equipo.
8. Chequee todas las conexiones frecuentemente para cerciorarse de que estén bien apretadas.

**⚠ ADVERTENCIA** Los motores, equipos eléctricos y controles, pueden ocasionar arcos eléctricos que se encenderían con gases o vapores inflamables. Nunca utilice o repare el compresor cerca de gases o vapores inflamables.



**RECORDATORIO: ¡Guarde su comprobante de compra con fecha para fines de la garantía! Adjúntela a este manual o archívela en lugar seguro.**

### Informaciones Generales de Seguridad (Continuación)

Nunca almacene líquidos o gases inflamables cerca del compresor.

#### ⚠️ ADVERTENCIA

Nunca utilice el compresor sin la tapa de las bandas. Los compresores se pueden encender automáticamente sin previo aviso. Las piezas en movimiento podrían ocasionarle heridas o daños a su propiedad.



- No se ponga ropa muy holgada o joyas, ya que éstas se le podrían enredar en las piezas en movimiento.

#### ⚠️ PRECAUCION

Las piezas del compresor podrían estar calientes, inclusive cuando la unidad esté apagada.



- Mantenga los dedos alejados del compresor cuando éste esté funcionando; las piezas en movimiento o calientes, le ocasionarían heridas y/o quemaduras.
- Si el equipo comienza a vibrar excesivamente, APAGUE el motor y chequéelo inmediatamente para determinar la razón. Generalmente, la vibración excesiva se debe a una falla.
- Para reducir el peligro de incendio, mantenga el exterior del motor libre de aceite, solventes o exceso de grasa.

#### ⚠️ ADVERTENCIA

Es obligación instalar en la tubería de aire o en el tanque de este compresor una válvula de desfogue según las normas de seguridad ASME con ajuste no superior a la Presión Máxima Admisibles de Trabajo (MAWP) del tanque. Esta válvula debe estar diseñada para los valores máximos de flujo y presión para proteger los componentes contra el peligro de explosión. Los límites máximos del flujo se indican en el manual de repuestos. La válvula de seguridad del sistema de enfriamiento interno no protege el sistema.

#### ⚠️ PRECAUCION

La presión máxima es 12,07 bar en los compresores de dos etapas y 9,31 - 10,34 bar en los compresores de una etapa. No lo utilice con el presostato o las válvulas del piloto fijadas a presiones mayores de 12,07 bar (dos etapas) ó 9,31 - 10,34 bar (una etapa).

- Nunca trate de ajustar la válvula de seguridad ASME. Evite que se le acu-

mule pintura u otro residuos.

#### ⚠️ PELIGRO



¡Nunca trate de reparar o modificar el tanque! Si lo suelda, taladra o modifica de cualquier otra manera, el tanque se debilitará y podría romperse o explotar. Siempre reemplace los tanques desgastados, rotos o dañados.

#### ⚠️ AVISO

Drene el líquido

del tanque diariamente.

- Los tanques se oxidan debido a la acumulación de humedad y esto debilita el tanque. Cerciórese de drenar el tanque con regularidad e inspeccionarlo periódicamente, para ver si está en malas condiciones, por ejemplo, si está oxidado.
- La circulación rápida de aire podría levantar polvo y desperdicios dañinos. Siempre libere el aire lentamente para drenar el tanque o liberar la presión del sistema.

#### PRECAUCIONES PARA ROCIAR

#### ⚠️ ADVERTENCIA



Nunca rocíe materiales inflamables cerca de llamas al descubierto o fuentes de ignición, incluyendo el compresor.

- No fume mientras esté rociando pintura, insecticidas u otras sustancias inflamables.
- Use una máscara/respirador cuando vaya a rociar y siempre rocíe en un área bien ventilada, para evitar peligros de salud e incendios.
- Nunca rocíe pintura ni otros materiales, directamente hacia el compresor. Coloque el compresor lo más lejos posible del área de trabajo, para minimizar la acumulación de residuos en el compresor.
- Al rociar o limpiar con solventes o químicos tóxicos, siga las instrucciones del fabricante de dichos químicos.



### Instalación

#### ⚠️ ADVERTENCIA

Desconecte el cordón eléctrico, amárrelo y aléjelo del tomacorrientes, después libere toda la presión del tanque antes de tratar de instalar el compresor, darle servicio, moverlo de sitio o darle cualquier tipo de mantenimiento.



#### ⚠️ PRECAUCION

Nunca alce o mueva la unidad sin usar un equipo ade-

cuado. Cerciórese de que la unidad esté bien segura. No la tome por los tubos o piezas del sistema de enfriamiento para levantarla. No use la unidad para alzar otros equipos.

#### ⚠️ PRECAUCION

Nunca instale el compresor sobre la base de madera en la que se envió de la fábrica.

Siempre debe instalar y utilizar el compresor en un área limpia y bien ventilada y a una distancia de por lo menos 61 cm (24") de cualquier obstrucción. La temperatura del medio ambiente no debe exceder los 37,8° C. Ésto le garantizará el flujo normal de aire para enfriar el compresor y suficiente espacio para darle mantenimiento.

#### ⚠️ PRECAUCION

Nunca coloque la entrada de aire del compresor cerca de un área donde haya vapor, donde se rocíe pintura o arena, o haya otras fuentes de contaminación.

**NOTA:** Cuando utilice el compresor en un ambiente cálido y húmedo le debe suministrar aire limpio y seco del exterior al cabezal. Utilice una tubería para suministrarle el aire del exterior.

#### PARA INSTALAR EL TANQUE

El tanque se debe instalar sobre un piso plano y nivelado de concreto, o sobre una base de concreto separada. Debe colocarle aislantes entre las patas del tanque y el piso. Le recomendamos el uso de las almohadillas aislantes Modelo MP345800AJ para las unidades horizontales. Las almohadillas Modelo MP345700AJ son recomendables para las unidades verticales. Cuando use las almohadillas aislantes, **no apriete los pernos excesivamente.** Debe permitir que las almohadillas absorban la vibración. Cuando use las almohadillas aislantes, debe instalar una manguera flexible o acoplador, entre el tanque y las tuberías de servicio.

#### ⚠️ ADVERTENCIA

Si no instala el tanque adecuadamente, las soldaduras se podrían romper y el tanque podría explotar.

#### TUBERIAS

#### ⚠️ ADVERTENCIA

Nunca use tuberías de plástico (PVC) con aire comprimido. Ésto podría ocasionarle heridas graves.



## Instalación (Continuación)

Cualquier tipo de tuberías o manguera que conecte al compresor deben estar diseñados para el tipo de temperaturas y presiones generadas. Todos los componentes bajo presión deben estar diseñados para presiones de por lo menos 13,79 bar en los compresores de dos etapas ó 10,34 bar en los compresores de una etapa, indicadas por la válvula de seguridad ASME. Si selecciona e instala una tubería o manguera incorrecta, éstas podrían explotar y ocasionarle heridas.

Para conectar las tuberías al tanque, utilice conexiones del mismo tamaño que el orificio de salida.

### PARA INSTALARLE UNA VALVULA DE CIERRE

Debe instalarle una válvula de cierre en la salida del tanque para controlar el flujo de aire que sale del tanque. La válvula se debe colocar entre el tanque y las tuberías.

### TAMAÑO MÍNIMO DE LAS TUBERÍAS DE LAS LÍNEAS DE AIRE COMPRIMIDO

m <sup>3</sup> /min	Longitud de las Tuberías			
	7,6m	15,2m	30,5m	76,2m
0,28	1,3cm	1,3cm	1,9cm	1,9cm
0,57	1,9	1,9	1,9	2,5
1,13	1,9	2,5	2,5	2,5
1,70	1,9	2,5	2,5	2,5
2,83	2,5	2,5	2,5	3,2

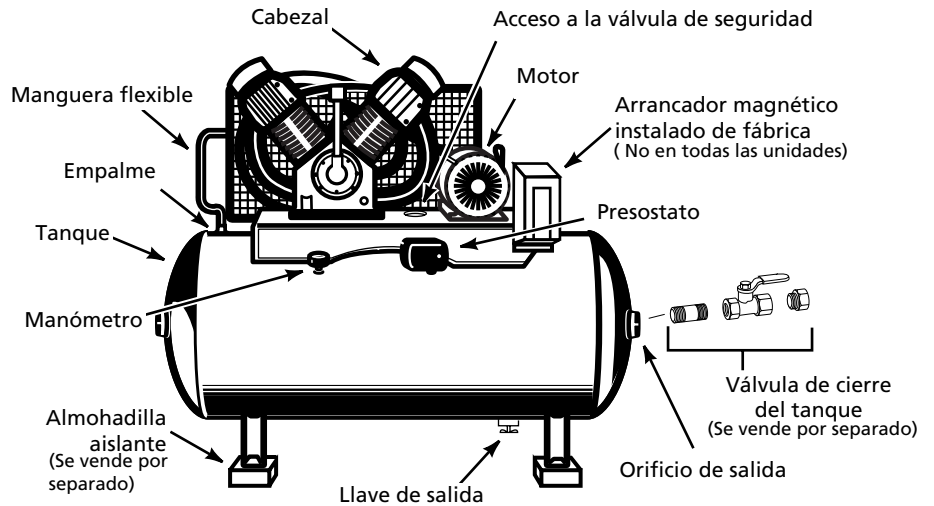


Figura 2 - Típica identificación de la unidad horizontal

**ADVERTENCIA** *Nunca instale una válvula de cierre entre el cabezal y el tanque. Ésto le podría ocasionar heridas y/o daños a su propiedad. Nunca use reductores en las tuberías de salida.*

Quando vaya a instalar un sistema permanente de distribución de aire comprimido, debe calcular la longitud total del sistema y seleccionar las tuberías adecuadas según la tabla que le ofrecemos en este manual. Las tuberías se deben instalar bajo el nivel de congelamiento, para evitar que creen vacío donde se pueda concentrar la condensación y se congelen.

Aplíquele presión de aire a las tuberías y cerciórese de que ninguna conexión tenga fugas ANTES de cubrirlas. Antes de utilizar el compresor, cerciórese de que no haya fugas en las tuberías y conexiones y repárelas de haberlas.

### ALAMBRADO

**ADVERTENCIA** *Todas las conexiones eléctricas las debe hacer un electricista calificado. Las instalaciones se deben hacer según los códigos locales y nacionales.*

**PRECAUCION** *Si el sistema de alambrado no se instala adecuadamente podría ocasionar sobrecalentamiento, cortocircuitos e incendios.*

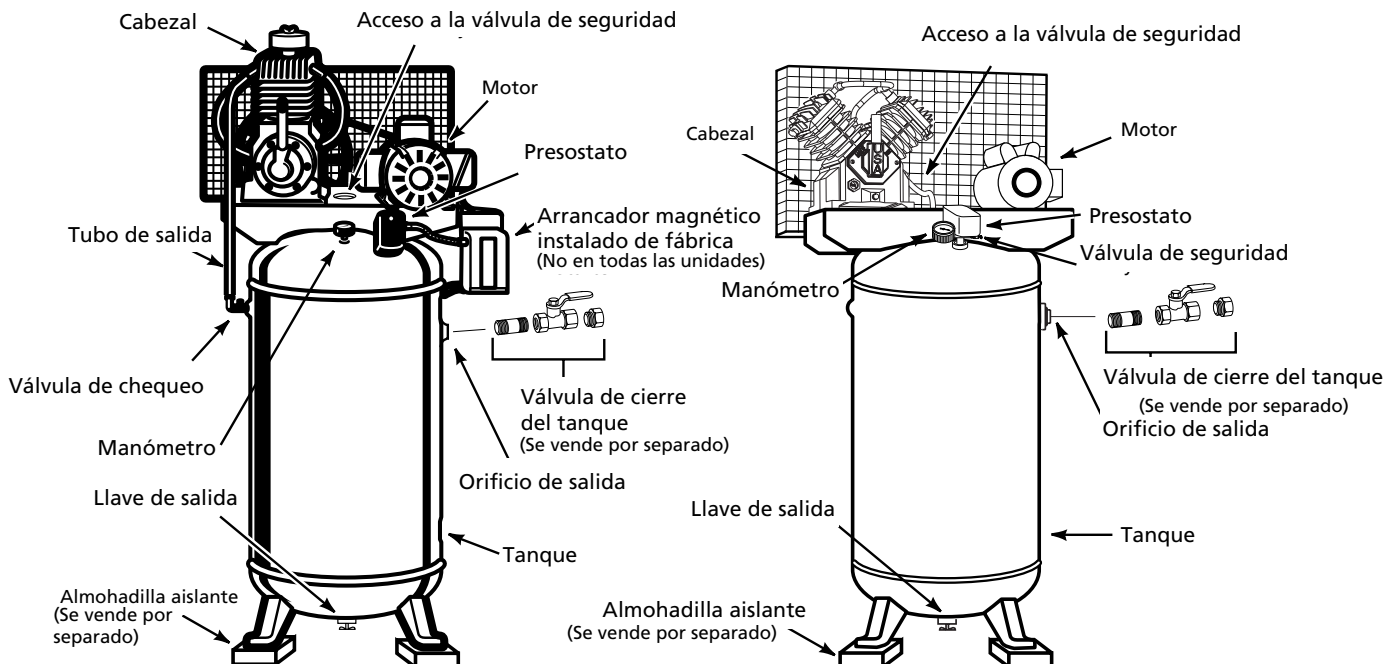


Figura 2 - Típica identificación de la unidad vertical

## Instalación (Continuación)

El alambrado se debe hacer según todos los códigos nacionales de electricidad y los reglamentos sobre artefactos eléctricos y de alambrado. Consúltele a un técnico especializado en la materia y cumpla con todas las ordenanzas. Cerciórese de usar los cables adecuados y de que:

1. El amperaje sea adecuado.
2. La línea de suministro eléctrico sea similar a la del motor (voltaje, ciclaje y fases).
3. Los alambres sean del calibre adecuado y de que no hayan otros artefactos eléctricos conectados a la misma línea. Aquí le ofrecemos una tabla con los tamaños adecuados para instalar el compresor.

Los cables que le recomendamos quizás sean más grandes que las recomendaciones mínimas de las ordenanzas locales de donde Ud viva. De ser así, utilice el cable más grande para evitar pérdidas de potencia. El costo adicional de los cables es mínimo en comparación al costo de reemplazar el motor que se puede dañar debido al uso con cables inadecuados.

### TAMAÑO MÍNIMO DEL ALAMBRE USE ALAMBRES DE COBRE DE 75°C

CP	Amps	Mono-fásico		Trifásico
		230V	208/230V	
SPL	up to 22,0	10 AWG		
5,0		8 AWG	12 AWG	14 AWG
7,5		8 AWG	10 AWG	12 AWG
10,0		N/D	8 AWG	12 AWG
15,0		N/D	6 AWG	10 AWG
25,0		N/D	3 AWG	8 AWG

### CONEXION A TIERRA

## ⚠ PELIGRO

Los artefactos eléctricos conectados a tierra incorrectamente constituyen un riesgo de electrocutamiento. Cerciórese de que todas las conexiones a tierra estén hechas adecuadamente para evitar la muerte o heridas de gravedad.



Este producto se **debe** conectar a tierra. Al conectarlo a tierra reduce el riesgo de choque eléctrico ya que, si ocurre un cortocircuito, la conexión a tierra le ofrece un desvío a la corriente eléctrica. Este producto se debe utilizar con un cordón eléctrico o cable que tenga conexión a tierra.

### PARA CONECTAR EL MOTOR E INSTALAR EL MOTOR DE ARRANQUE

El circuito se debe proteger según las ordenanzas nacionales para la instalación de motores eléctricos y el diseño de los sistemas de alambrado, por ejemplo, en los Estados Unidos siga las ordenanzas de la organización NEC (artículo 210 del capítulo 2 y artículo 430, Tabla 430-1-52).

**IMPORTANTE:** Todos los motores requieren un sistema de protección de sobrecarga. Algunos motores tienen dicho sistema incorporado. Para determinar si el motor tiene el sistema de protección incorporado, vea la nomenclatura en la placa del motor.

Los motores con las siguientes nomenclaturas: R56HZ, Y56Y ó L143T vienen con el sistema de protección incorporado. Estos modelos no requieren protección adicional. Use el diagrama de alambrado de la Figura 3.

Los motores con las siguientes nomenclaturas: 184T, 215T, 254T ó 284T NO VIENEN con el sistema de protección incorporado. Éstos requieren que se les instale un arrancador magnético. Use el diagrama de alambrado de la Figura 4.

Para cambiarles el voltaje alterno a los motores trifásicos de 230/460:

1. Siga las instrucciones para el alambrado que aparecen en la placa del motor o en la hoja de instrucciones.
2. Chequee las especificaciones eléctricas del motor de arranque magnético y reemplace los elementos del sistema de protección de sobrecarga térmica o del motor de arranque magnético según sea necesario. El voltaje y amperaje adecuado se enumeran en la placa del motor.

### DIRECCION DE ROTACION

**NOTA:** La rotación incorrecta reduciría la duración de la unidad.

La dirección de la rotación debe ser en sentido contrario al de las agujas del reloj (tal como lo indica la flecha en el volante) al estar parado al frente del cabezal en el mismo lado del volante. La instrucciones para el alambrado para la rotación en sentido contrario al de las agujas del reloj aparecen en la placa del motor.

La dirección adecuada de rotación es sumamente importante. La dirección de rotación de los motores trifásicos se puede cambiar con solo intercambiar dos de los cables del motor. Para los motores monofásicos, vea las instrucciones en la placa del motor.

## Funcionamiento

**IMPORTANTE:** Chequee la rotación del motor antes de utilizar el compresor.

Todos los cabezales que requieren lubricación expulsan agua condensada y aceite con el aire comprimido. Por lo tanto, en ciertos casos, deberá instalar los filtros adecuados para eliminar agua/aceite.

**AVISO** Si no le instala los filtros adecuados para eliminar el

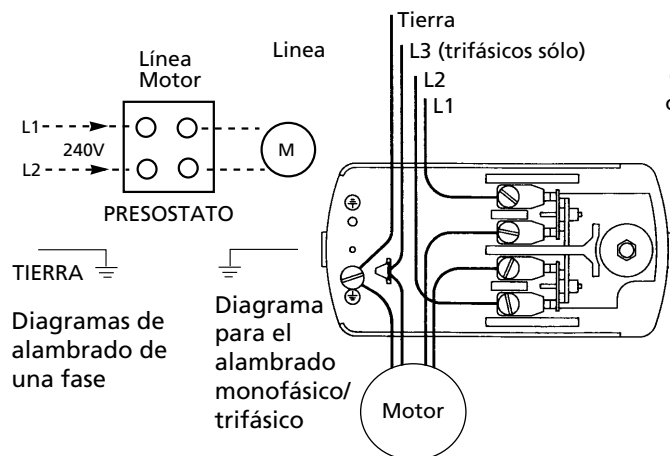


Figura 3 - Para los Motores con nomenclatura R56HZ, Y56Y ó L143T. Vea la placa del motor

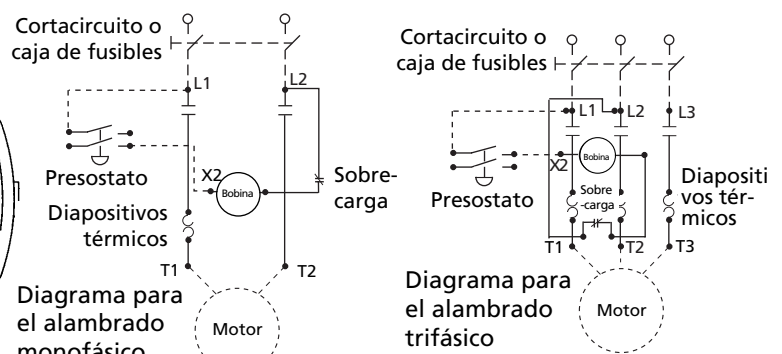


Figura 4 - Para los Motores con nomenclatura 184T, 215T, 254T ó 284T. Vea la placa del motor

## Funcionamiento (Continuación)

agualaceite podría ocasionarle daños a la maquinaria o pieza de trabajo.

### PROTECCION

#### PELIGRO



Antes de utilizar el compresor le debe instalar la tapa de las bandas.

Todas las piezas que se mueven deben estar protegidas con una tapa. Debe colocarle todas las tapas al sistema eléctrico antes de encender el compresor.

### LUBRICACION

#### PRECAUCION ESTA UNIDAD

**NO TIENE ACEITE.** Antes de utilizar el compresor. Sólo llene el cabezal hasta el centro del medidor visual o hasta la raya superior de la varilla para medir aceite (Vea la Figura 5).

Puede haber residuos de aceite en el cabezal que dejarían una capa en el vidrio del medidor visual, sin embargo, no hay suficiente aceite para operar la unidad. Llene el cabezal utilizando aceite para compresores de aire ISO100. Se recomienda el aceite para compresor ST126700AV o el Mobil 1® 5W30 o también el 10W30 sintético. Vierta el aceite sólo por el orificio de lubricación. Si vierte el aceite por cualquier otro orificio la unidad expulsará aceite tan pronto comience a funcionar. **Sólo llene el cabezal hasta el centro del medidor visual o hasta la raya superior de la varilla para medir aceite (Vea la Figura 5).**

#### PRECAUCION Si utiliza

cualquier otro tipo de aceite podría disminuir la duración del cabezal y dañar las válvulas.

### PERIODO DE USO INICIAL RECOMENDADO

La primera vez que vaya a utilizar el compresor, debe dejarlo funcionar continuamente durante una hora, para permitir que los anillos de los pistones se fijen adecuadamente.

1. Abra la llave de drenaje del tanque y deje que el compresor funcione durante 60 minutos (Vea la Figura 6).
2. Apague el compresor y cierre la llave de drenaje. El compresor está listo para funcionar.

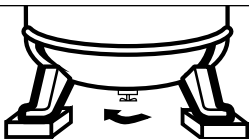
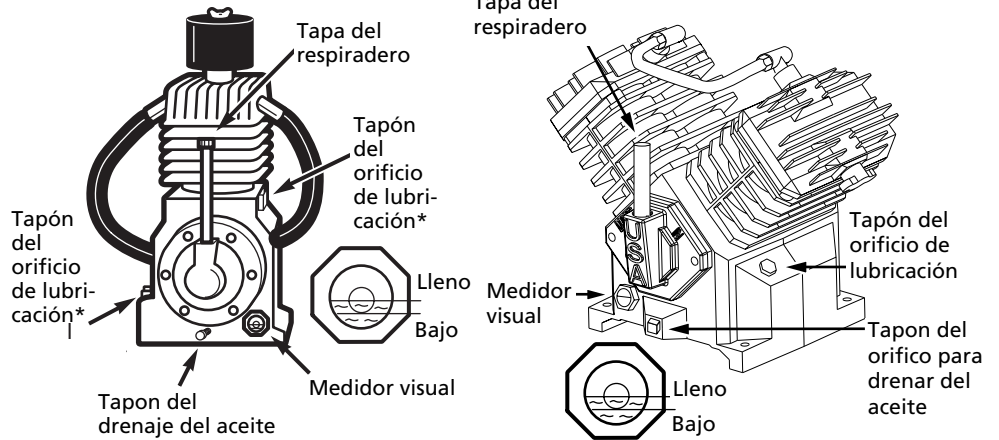


Figura 6 - Para abrir la llave de drenaje



\* El tapón del orificio de lubricación está en uno de los dois lugares indicados.

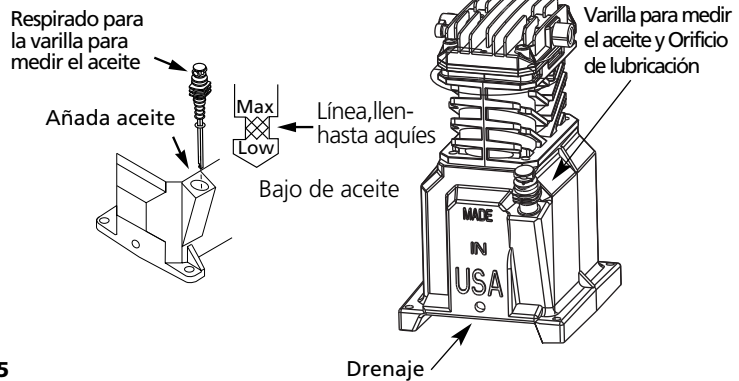


Figura 5

Si el compresor se utiliza bajo condiciones húmedas por períodos cortos, la humedad se condensará en la caja del cigüeñal y ocasionará que el aceite luzca cremoso. El aceite contaminado por el agua no le proveerá la lubricación adecuada y lo debe cambiar inmediatamente. Si usa aceite contaminado, los cojinetes, pistones, cilindros y anillos se dañarán y estos daños no están cubiertos por la garantía. Para evitar la condensación de agua en el aceite, periódicamente utilice el compresor con una presión de más o menos 10,34 bar. Para hacerlo, abra la llave de drenaje, la válvula de aire conectada al tanque, o la manguera. Deje que el cabezal funcione por una hora en estas condiciones por lo menos una vez a la semana, o con más frecuencia, en caso de que el problema ocurra.

**IMPORTANTE:** Cámbiele el aceite después de 50 horas de operación.

### PRESOSTATO, ARRANQUE - PARO

**NOTA:** La presión máxima de trabajo de este compresor es 12,07 bar. Nunca exceda esta presión en ninguno de los controles de los componentes.

El compresor se enciende y se apaga según los valores fijados en el presostato. El presostato se debe conectar a un motor de arranque magnético que controla el motor eléctrico. El sistema de

desfogue del presostato es una válvula pequeña por la cual sale el aire para permitir que el motor arranque fácilmente (Vea la Figura 7).

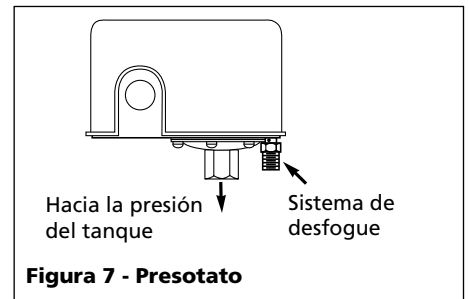


Figura 7 - Presostato

Para utilizar este compresor en forma continua le debe instalar una válvula de carga separada, por ejemplo, una válvula Genie entre el cabezal y el tanque. Igualmente, debe desconectarle la válvula de chequeo original.

### RESPIRADOR DE LA CAJA DEL CIGÜEÑAL

Durante condiciones severas de funcionamiento o al encenderlo por primera vez, podría crearse una acumulación de aceite en el orificio del respirador de la caja del cigüeñal. Esto es normal y disminuirá con el uso, ya que los anillos se fijarán.

## Mantenimiento

### ⚠️ ADVERTENCIA

Desconecte el cordón eléctrico, amárrelo y aléjelo del tomacorrientes, después



libere toda la presión del tanque antes de tratar de instalar el compresor, darle servicio, moverlo de sitio o darle cualquier tipo de mantenimiento.

Para mantener el funcionamiento eficiente del sistema del compresor, chequee el filtro de aire y mida el nivel del aceite antes de cada uso. La válvula de seguridad ASME también se debe chequear a diario (Vea la Figura 8). Hále el anillo de la válvula de seguridad y déjelo que regrese de nuevo en su posición original. Esta válvula automáticamente libera el aire del tanque, si la presión excede el nivel máximo fijado de fábrica. Si hay una fuga de aire después que ha soltado el anillo, o si la válvula está atascada y no la puede activar con el anillo, deberá reemplazar la válvula de seguridad ASME.

### ⚠️ PELIGRO

Nunca trate de

modificar las válvulas de seguridad ASME

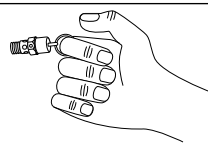


Figura 8

### TANQUE

### ⚠️ PELIGRO

¡Nunca trate de reparar o modificar el tanque! Si lo suelta, taladra o modifica de cualquier otra manera, el tanque se debilitará y se podría dañar al romperse o explotar. Siempre reemplace los tanques desgastados, rotos o dañados.



### AVISO

Drene el líquido

del tanque diariamente.

El tanque se debe inspeccionar cuidadosamente por lo menos una vez al año. Cerciérese de que no haya ranuras en las soldaduras. De haberlas, libere la presión del tanque inmediatamente y reemplácelo.

### LUBRICACION DEL COMPRESOR

Vea la sección de Funcionamiento Añádale aceite al cabezal cuando sea necesario.

## MANTENIMIENTO

Servicio Necesario	Diariamente	Semanalmente	Mensualmente	Trimestralmente
Chequee la válvula de seguridad	●			
Drene el tanque (Vea la Figura 6)	●			
Mida el nivel de aceite	●			
Limpie o cambie el filtro de aire			●	
Chequee el sistema de enfriamiento interno (sólo en los compresores de 2 etapas)		●		
Limpie los componentes			●	
Chequee la tensión de las bandas				●
Cambie el aceite (Vea la Figura 5)				●
Cambie el filtro de aceite (Solo en los modelos de lubricacion a presion)				●

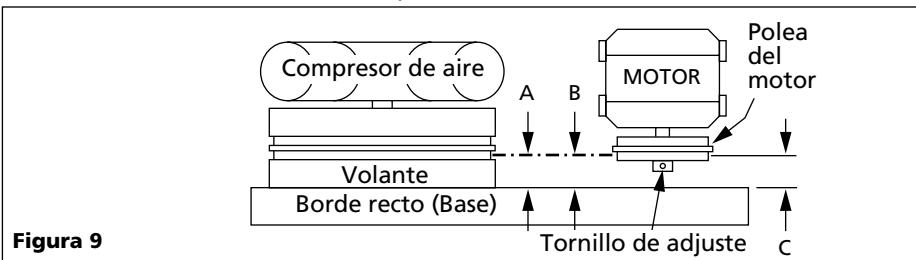


Figura 9

Debe cambiar el aceite y el filtro cada 3 meses o después de 500 horas de funcionamiento; lo que ocurra primero. Sólo los cabezales lubricados a presión tienen un filtro de aceite.

### FILTRO DE AIRE

Nunca utilice el cabezal del compresor sin instalarle el filtro de la entrada de aire o con un filtro obstruido. Use aire comprimido para limpiar el filtro. No lave ni lubrique el elemento del filtro. Si no puede limpiarlo con aire comprimido, deberá reemplazarlo. Si utiliza el compresor con el filtro sucio, podría aumentar el consumo de aceite y la contaminación con aceite del aire expulsado.

### SISTEMA DE ENFRIAMIENTO INTERNO

⚠️ ADVERTENCIA Las altas del sistema de enfriamiento interno son afiladas, use siempre guantes y tenga mucho cuidado cuando vaya a limpiar o trabajar cerca de ellas.

Semanalmente, chequee el sistema de enfriamiento para cerciorarse de que todas las conexiones estén bien apretadas. Use aire para limpiarle las aletas al sistema.

### COMPONENTES

Mensualmente, apague la unidad y limpie la culata del cilindro, el motor, las aletas del ventilador, las líneas de aire, el sistema de enfriamiento interno y el tanque con aire a baja presión.

### BANDAS

⚠️ ADVERTENCIA Apague el compresor, cerciérese de que el interruptor no se pueda activar y después libere la presión del tanque, para evitar que la unidad se mueva sin previo aviso.

Chequee la tensión de las bandas cada 3 meses. Ajuste la tensión de las bandas para permitir una deflexión de 0,9 a 1,2 cm (3/8 - 1/2") al ejercer una presión normal con el dedo. Igualmente, debe alinear las bandas usando como referencia un objeto recto que toque el volante y dos puntos del borde a ambos lados del volante. Las bandas deben estar paralelas a esta línea recta de referencia (vea la Figura 9). Las distancias A, B y C deben ser iguales para asegurar que las bandas estén alineadas adecuadamente. Las ranuras en la base le permiten mover el motor, en ambas direcciones, para ajustar la tensión de las bandas.

### ALMACENAMIENTO

Si necesita almacenar el compresor por un período corto, cerciérese de colocarlo en una posición normal en un área fría y bien protegida.

Guía de diagnóstico de averías

Problema	Posible(s) Causa(s)	Acción a tomar
El motor hace ruido y funciona lentamente o no funciona	<ol style="list-style-type: none"> <li>1. Voltaje bajo o nulo</li> <li>2. La bobina del motor tiene un cortocircuito o está desactivada</li> <li>3. La válvula de chequeo o la válvula de desfogue están dañadas</li> <li>4. El presostato está dañado - los contactos no cierran</li> </ol>	<ol style="list-style-type: none"> <li>1. Chequee con un voltímetro, chequee el relai de sobrecarga del motor de arranque magnético o el interruptor del motor. Si alguno de estos interruptores se desconectan constantemente, ubique el problema y corrijalo. Vea el próximo paso</li> <li>2. Reemplace el motor</li> <li>3. Reemplace la válvula de chequeo o de desfogue</li> <li>4. Repare o reemplace el presostato</li> </ol>
El sistema de encendido se desactiva constantemente o los fusibles se queman constantemente	<ol style="list-style-type: none"> <li>1. El presostato está fijado a una presión muy alta</li> <li>2. La válvula de chequeo está dañada</li> <li>3. Los fusibles o calentadores del motor de arranque magnético no son adecuados</li> <li>4. El motor está dañado</li> <li>5. Algún cable está desconectado</li> </ol>	<ol style="list-style-type: none"> <li>1. Ajustelo o reemplácelo</li> <li>2. Limpie o reemplace la válvula dañada</li> <li>3. Cerciórese de que los fusibles o calentadores sean los adecuados</li> <li>4. Reemplace el motor</li> <li>5. Revise todas las conexiones del sistema eléctrico</li> </ol>
Hace mucho ruido al funcionar	<ol style="list-style-type: none"> <li>1. La polea, el volante, la banda, la tapa de las bandas, etc está floja</li> <li>2. Le falta aceite a la caja del cigüeñal</li> <li>3. La base del compresor está floja</li> <li>4. La válvula de chequeo está dañada</li> </ol>	<ol style="list-style-type: none"> <li>1. Apriételes</li> <li>2. Chequee los cojinetes a ver si están dañados, póngale aceite</li> <li>3. Nivele la base y apriétela o colóquela sobre unas almohadillas</li> <li>4. Reemplace la válvula de chequeo</li> </ol>
El aceite luce cremoso	El agua se está condensando en la caja del cigüeñal debido a la alta humedad	Conecte la entrada de aire a una fuente de aire menos húmedo. Deje que el cabezal funcione continuamente por 1 hora
Consumo excesivo de aceite o presencia de aceite en las líneas de aire	<ol style="list-style-type: none"> <li>1. Cerciórese de que haya un problema</li> <li>2. La entrada de aire está restringida</li> <li>3. Está usando un aceite de viscosidad inadecuada</li> <li>4. Los anillos del pistón están dañados</li> <li>5. Hay fugas de aceite</li> <li>6. El cilindro está rayado</li> </ol>	<ol style="list-style-type: none"> <li>1. Chequee a ver si hay problemas de contaminación del aceite: pruebe el aire expulsado o mida el consumo del aceite de la caja del cigüeñal</li> <li>2. Limpie o reemplace el filtro de aire</li> <li>3. Drene el aceite. Póngale aceite de viscosidad adecuada</li> <li>4. Reemplace los anillos</li> <li>5. Apriete los pernos, reemplace los empaques o anillos en o</li> <li>6. Reemplace el cilindro</li> </ol>
Agua en el aire expulsado	<ol style="list-style-type: none"> <li>1. Exceso de agua en el tanque</li> <li>2. El clima es calido y húmedo</li> </ol>	<ol style="list-style-type: none"> <li>1. Drene el tanque</li> <li>2. Compre un secador</li> </ol>
Aire sale por el orificio de entrada	<p>La válvula de entrada de la primera etapa está dañada (en los compresores de 2 etapas)</p> <p>La válvula de entrada está dañada (en los compresores de una etapa)</p>	Reemplace la válvula
Presión insuficiente	<ol style="list-style-type: none"> <li>1. Se requiere demasiado aire</li> <li>2. Hay fugas u obstrucciones en las mangueras o tuberías</li> <li>3. Las bandas están desajustadas</li> </ol>	<ol style="list-style-type: none"> <li>1. Limite el uso del aire</li> <li>2. Chequee las mangueras y tuberías a ver si hay fugas o restricciones</li> <li>3. Apriete las bandas</li> </ol>
El tanque no mantiene la presión cuando el compresor está apagado y la válvula de cierre está cerrada	<ol style="list-style-type: none"> <li>1. La válvula de chequeo está desgastada</li> <li>2. Chequee todas las conexiones a ver si están bien apretadas</li> <li>3. Chequee el tanque a ver si está partido o tiene orificios</li> </ol>	<ol style="list-style-type: none"> <li>1. Reemplace la válvula de chequeo</li> <li>2. Apriételes</li> <li>3. Reemplace el tanque. Nunca repare un tanque dañado</li> </ol>
Desgaste excesivo de las bandas. (Es normal que se desboronen un poco al principio. Cuando se desgastan las bandas se separan en capas)	<ol style="list-style-type: none"> <li>1. La polea está desalineada</li> <li>2. Las bandas están muy apretadas o muy flojas</li> </ol>	<ol style="list-style-type: none"> <li>1. Debe alinear la polea del motor</li> <li>2. Ajuste la tensión</li> </ol>
El tanque se demora en alcanzar la presión deseada	<ol style="list-style-type: none"> <li>1. El filtro de aire está dañado</li> <li>2. El empaque de la culata del cilindro está dañada</li> <li>3. La válvula de entrada/salida está desgastada/dañada</li> <li>4. Hay fugas de aire</li> </ol>	<ol style="list-style-type: none"> <li>1. Limpie o reemplace el elemento del filtro</li> <li>2. Cambie el empaque</li> <li>3. Instale un ensamblaje nuevo de la placa de la válvula</li> <li>4. Apriete las conexiones</li> </ol>
La presión en el compresor aumenta demasiado rápido	Exceso de agua en el tanque	Drene el tanque, chequee la velocidad. Vea la tabla de rendimiento
La válvula de seguridad se abre mientras el compresor está funcionando	<ol style="list-style-type: none"> <li>1. El presostato está fijado incorrectamente</li> <li>2. La válvula de seguridad ASME está dañada</li> <li>3. Los contactos del presostato se soldaron</li> </ol>	<ol style="list-style-type: none"> <li>1. Disminuya la presión (12,07 bar máximo en la unidad de dos etapas ó 9,31 bar en la unidad de una etapa) (Vea la sección Funcionamiento)</li> <li>2. Reemplace la válvula de seguridad ASME</li> <li>3. Reemplace el presostato</li> </ol>
El presostato expulsa aire continuamente pos la válvula de desfogue	La válvula de chequeo está dañada	Reemplace la válvula de chequeo si la válvula de desfogue se activa constantemente
La válvula de desfogue del presostato no libera aire cuando la unidad se apaga	La válvula de desfogue del presostato está dañada	Reemplace el presostato si la unidad no expulsa aire por un período corto cuando la apaga
La válvula de seguridad, inter-etapas, se activa mientras la unidad está funcionando	<ol style="list-style-type: none"> <li>1. El empaque de la culata o el empaque del ensamblaje de la placa de la válvula están deterioradas</li> <li>2. La válvula no está bien instalada</li> <li>3. La válvula de seguridad está dañada</li> </ol>	<ol style="list-style-type: none"> <li>1. Reemplace la placa de la válvula y los empaques</li> <li>2. Reemplace la placa de la válvula y los empaques</li> <li>3. Reemplace la válvula de seguridad</li> </ol>
La válvula de seguridad, inter-etapas, se activa cuando la unidad se apaga	La válvula de seguridad del tanque está dañada	Reemplace la válvula de chequeo

**PELIGRO**

**No desmonte la válvula de retención con aire en el tanque**

**Garantía Limitada**

1. DURACION: A partir de la fecha de compra por el comprador original tal como se especifica a continuación: Productos Estándar (Standard Duty) - Un año; Productos Resistentes (Serious Duty) - Dos años; Productos Robustos (Extreme Duty) - Tres años; Serie Modelo Maxus - Cinco años.
  2. QUIEN OTORGA ESTA GARANTIA (EL GARANTE: Campbell Hausfeld / The Scott Fetzer Company 100 Production Drive, Harrison, Ohio 45030 Teléfono: (800) 543-6400
  3. QUIEN RECIBE ESTA GARANTIA (EL COMPRADOR): El comprador original (que no sea un revendedor) del producto Campbell Hausfeld.
  4. PRODUCTOS CUBIERTOS POR ESTA GARANTIA: Cualquier compresor de aire Campbell Hausfeld.
  5. COBERTURA DE LA GARANTIA: Los defectos substanciales de material y fabricación que ocurran dentro del período de validez de la garantía.
  6. LO QUE NO ESTA CUBIERTO POR ESTA GARANTIA:
    - A. Las garantías implícitas, incluyendo aquellas de comercialidad E IDONEIDAD PARA FINES PARTICULARES, ESTAN LIMITADOS A LO ESPECIFICADO EN EL PARRAFO DE DURACION. Si el compresor de aire es empleado para uso comercial, industrial o para renta, la garantía será aplicable por noventa (90) días a partir de la fecha de compra. La garantía de los Compresores para Contratistas - Productos Robustos (Extreme Duty) no queda limitada a los noventa (90) días cuando se los usa en aplicaciones de contratistas. La garantía de los compresores de cuatro cilindros de una y dos etapas, no está limitada a noventa (90) días si éstos se utilizan para trabajos comerciales o industriales. En algunos estados no se permiten limitaciones a la duración de las garantías implícitas, por lo tanto, en tales casos esta limitación no es aplicable.
    - B. CUALQUIER PERDIDA DAÑO INCIDENTAL, INDIRECTO O CONSECUENTE QUE PUEDA RESULTAR DE UN DEFECTO, FALLA O MALFUNCIONAMIENTO DEL PRODUCTO CAMPBELL HAUSFELD. En algunos estados no se permite la exclusión o limitación de daños incidentales o consecuentes, por lo tanto, en tales casos esta limitación o exclusión no es aplicable
    - C. Cualquier falla que resulte de un accidente, abuso, negligencia o incumplimiento de las instrucciones de funcionamiento y uso indicadas en el (los) manual(es) que se adjunta(n) al compresor.
    - D. Los servicios requeridos antes de la entrega tales como: ensamblaje, aceite o lubricantes y ajustes.
    - E. Artículos o servicios normalmente requeridos para el mantenimiento del producto, tales como: lubricantes, filtros, empaques, etc.
    - F. Los motores de gasolina están específicamente excluidos de la cobertura de esta garantía limitada. El comprador debe seguir las cláusulas de la garantía otorgada por el fabricante del motor de gasolina que se suministra con el producto.
    - G. Artículos adicionales no cubiertos bajo esta garantía:
      1. Todos los Compresores
        - a. Cualquier componente dañado durante el envío o cualquier daño ocasionado por haber instalado u operado la unidad bajo condiciones contrarias a lo indicado en las instrucciones para instalar u operar la unidad o daños ocasionados por el contacto con herramientas o los alrededores.
        - b. Daños del cabezal o las válvulas ocasionados por la lluvia, humedad excesiva, agentes corrosivos u otros contaminantes.
        - c. Daños de apariencia que no afecten el funcionamiento del compresor.
        - d. Tanques oxidados, incluyendo pero no limitado al óxido debido al drenaje inadecuado u agentes corrosivos en el ambiente.
        - e. Motores eléctricos, válvulas de chequeo y presostatos después del primer año a partir de la fecha de compra.
        - f. Llaves de drenaje
        - g. Daños debidos al alambrado incorrecto o conexión a circuitos con voltaje inadecuados para la unidad.
        - h. Otros artículos no enumerados pero considerados de desgaste general.
        - i. Presostatos, controles de flujo de aire y válvulas de seguridad cuyos parametros fijados de fábrica se modifiquen.
      2. Compresores lubricados
        - a. Daños del cabezal o las válvulas debidos al uso de aceites no especificados.
        - b. Daños del cabezal o las válvulas debidos a cualquier contaminación del aceite o por no haber seguido las instrucciones de lubricación.
      3. Compresores con bandas/ de accionamiento directo/ motores de gasolina
        - a. Bandas
        - b. Daños de los anillos debido al mantenimiento inadecuado del filtro.
        - c. Ajustes manuales de los instrumentos de carga/descarga y válvula de estrangulación.
  7. RESPONSABILIDADES DEL GARANTE BAJO ESTA GARANTIA: Reparar o reemplazar, como lo decida el Garante, el compresor o componentes que estén defectuosos, se hayan dañado o hayan dejado de funcionar adecuadamente, durante el período de validez de la garantía
  8. RESPONSABILIDADES DEL COMPRADOR BAJO ESTA GARANTIA:
    - A. Suministrar prueba fechada de compra y la historia de mantenimiento del producto.
    - B. Entregar o enviar los compresores de aire portátiles o componentes al Centro de Servicio autorizado Campbell Hausfeld más cercano. Los gastos de flete, de haberlos, deben ser pagados por el comprador.
    - C. Tener cuidado al utilizar el producto, tal como se indica(n) en el (los) manual(es) del propietario.
  9. CUANDO EFECTUARA EL GARANTE LA REPARACION O REEMPLAZO CUBIERTO BAJO ESTA GARANTIA: La reparación o reemplazo dependerá del flujo normal de trabajo del centro de servicio y de la disponibilidad de repuestos.
- Esta garantía limitada es válida sólo en los EE.UU., Canadá y México y otorga derechos legales específicos. Usted también puede tener otros derechos que varían de un Estado a otro. o de un país a otro.