

®

SPEED-A-R-E



Air Compressor Pumps

Models 5Z405, 4B248



SPEEDART

**PLEASE READ AND SAVE
THESE INSTRUCTIONS.
READ CAREFULLY
BEFORE ATTEMPTING
TO ASSEMBLE, INSTALL,
OPERATE OR MAINTAIN THE
PRODUCT DESCRIBED.**

**PROTECT YOURSELF AND
OTHERS BY OBSERVING ALL
SAFETY INFORMATION. FAILURE
TO COMPLY WITH INSTRUCTIONS
COULD RESULT IN PERSONAL
INJURY AND/OR PROPERTY
DAMAGE! RETAIN INSTRUCTIONS
FOR FUTURE REFERENCE.**

**PLEASE REFER TO BACK COVER
FOR INFORMATION REGARDING
DAYTON'S WARRANTY AND OTHER
IMPORTANT INFORMATION.**

Model #: _____

Serial #: _____

Purch. Date: _____

Form 5S7556 / Printed in U.S.A.

Version 0 12/2014

© 2014 Dayton Electric Manufacturing Co.

All Rights Reserved

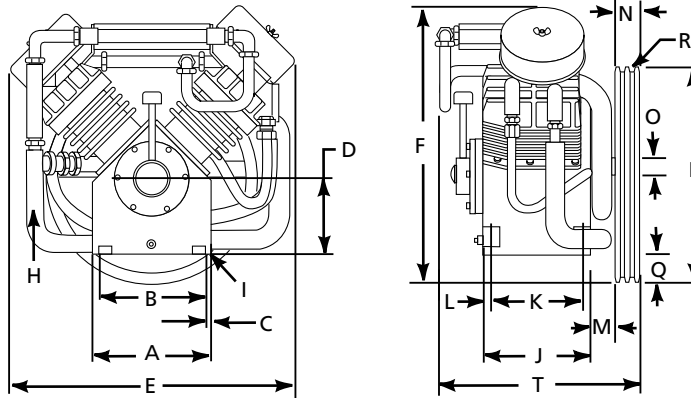
BEFORE YOU BEGIN

⚠ WARNING

A belt guard must be installed before operating the unit. An ASME code safety relief valve with a setting no higher than 200 psi MUST be installed in the air lines or in the compressor tank.

- ROTATION OF FLYWHEEL COUNTERCLOCKWISE WHEN FACING THE FLYWHEEL

DIMENSIONS

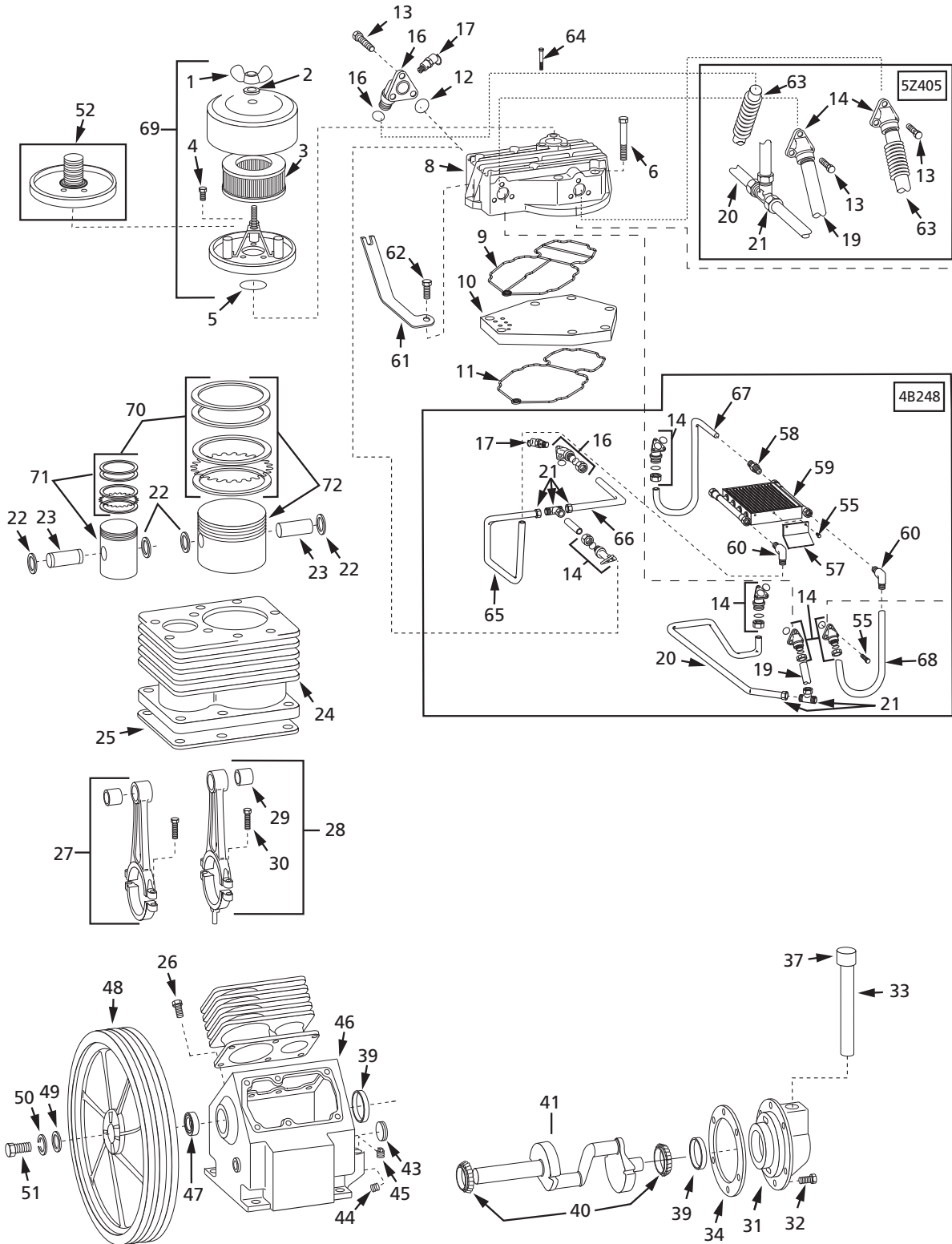


Key	Item	5Z405 (10 HP)	4B248 (15 HP)
A	Base-width	11.38 inch	11.38 inch
B	Bolt down-width	9.63 inch	9.63 inch
C	Bolt down to edge	.88 inch	.88 inch
D	Base to crank CTR	7 inch	7 inch
E	Overall width	25 inch	28.45 inch
F	Overall height	21.5 inch	24.28 inch
H	HP exhaust opng. (manifold)	0.75 inch	0.75 inch
I	Bolt down hole dia.	0.53 inch	0.53 inch
J	Base-depth	10.12 inch	10.12 inch
K	Bolt down-depth	8.06 inch	8.06 inch
L	Bolt down to edge	1.05 inch	1.05 inch
M	Bolt to wheel (max.) down	3.88 inch	3.88 inch
N	Flywheel width	2 inch	2.75 inch
O	Crank diameter	1.36 inch	1.36 inch
P	Flywheel diameter	16.50 inch	19.38 inch
Q	Flywheel drop	1.25 inch	1.69 inch
R	Flywheel grooves	2 VB Section	2 VB Section
T	Overall depth	18.5 inch	19.5 inch

Quick Reference
Recommended Oil (2 Options)
Single viscosity SAE 30 ISO100 nondetergent compressor oil. Grainger part number 1WG49.
10W30 synthetic oil such as Mobil 1®.
Oil Capacity
Approximately 4 quarts

MODEL	RPM
5Z405	685
4B248	1020

REPAIR PARTS ILLUSTRATION FOR 5Z405, 4B248



For Repair Parts, call 1-800-Grainger
24 hours a day – 365 days a year

Please provide following information:

- Model number
- Serial number (if any)
- Part description and number as shown in parts list

REPAIR PARTS LIST FOR 5Z405, 4B248

Ref. No.	Description	Part Number:	Qty.
1	1/4-20 Wing nut	*	1
2	1 /4 inch Washer	*	1
3	Filter element		
	Model 5Z405	ST073903AV	1
	Model 4B248	TF060504AV	1
4	1/4-20 x 5/8 inch screw	TF004801AV	3
5	O-ring (Included in Ref. #76)	---	1
6	3/8-16 x 3-1/2 inch Screw	---	18
7	Compression fitting	ST072318AV	1
8	Cylinder head	TF066202AV	2
9	● O-ring, head to valve plate	TF066800AV	2
10	Valve plate assembly	TF066300AJ	2
11	● O-ring, cylinder to valve plate	TF067000AV	2
12	● O-ring	ST164408AV	12
13	1/4-20 x 3/4 inch Screw	ST120200AV	24
14	Tube fitting assembly	TF060402AJ	4
15	Intercooler, right cyl. (facing flywheel)	TX033700AP	1
16	Tube fitting assembly	TF060403AJ	2
17	Safety valve, Model 5Z405	V-208900AV	2
	Safety valve, Model 4B248	V-209100AV	1
18	Intercooler, left cyl. (facing flywheel)	TX033600AP	1
19	Discharge tube	TX032000AP	1
20	Crossover tube	TX031600AP	1
21	3/4 inch Compression tee	ST072110AV	2
22	Retaining ring	ST059400AV	8
23	Piston pin	TF000500AV	4
24	Cylinder	TF058000AG	2
25	● Gasket, cylinder to crankcase	XA006200AV	2
26	3/8-24 x 1 inch Hex head screw	---	12
27	Connecting rod assembly less dipper	TF057802AJ	2
28	Connecting rod assembly with dipper	TF057801AJ	2
29	Needle bearing	ST051100AV	4
30	5/16-18 x 1-1/2 inch Socket head screw	TF064700AV	8
31	Bearing cap	TF060901AV	1
32	5/16-18 x 3/4 inch Set screw	---	6
33	Breather tube	TW003600AV	1
34	● 0.015 inch Gasket	XA006102AV	1
	0.024 inch Gasket (not shown)	XA006103AV	1
35	Breather mesh (not shown)	TW014800AJ	
36	Breather ball (not shown)	ST094700AV	1
37	Breather assembly	TX036100AV	1
38	1/4-20 x 3/8 inch Set screw (not shown)	---	1
39	Bearing cup	ST066200AV	2
40	Bearing cone	ST067000AV	2
41	Crankshaft w/bearing cones	TX034400AJ	1
42	Discharge tube	TX035500AP	1
43	Oil level gage	TF050101AV	1
44	1/4-18 NPT Drain plug	ST022500AV	1
45	1/2-14 NPT Filler plug	---	1
46	Crankcase assembly w/ bearings	---	1
47	Oil seal	ST066901AV	1
48	Flywheel		
	Model 5Z405	PU016700AJ	1
	Model 4B248	TX034801AV	1
49	Washer	TX034600AV	1
50	Lockwasher	---	1
51	Torque screw	TX034700AV	1

Ref. No.	Description	Part Number:	Qty.
52	▲ Optional threaded air intake adapter	TF060502AV	1
53	Discharge tube	TX032001AP	1
54	Discharge tube	TX035400AP	1
55	1/4-20 x 5/8 inch Screw	---	5
56	Washer	ST029100AV	5
57	Bracket	TX034300AV	2
58	Straight compression fitting	ST072024AV	1
59	Intercooler	TX032700AV	1
60	90° Elbow with compression fitting	ST072231AV	2
61	Bracket (Model 4B248 only)	TX034801AV	1
62	Screw	---	1
63	Intercooler, right cyl. (facing flywheel)	TX000900BH	1
	Intercooler, left cyl. (facing flywheel)	TX000800BH	1
64	1/4 x 20 x 2.5 Self-tapping screw	*	2
65	Intercooler tube	TX035500AP	1
66	Intercooler tube	TX035400AP	1
67	Intercooler tube	TX033600AP	1
68	Intercooler tube	TX033700AP	1

Replacement Kits and Accessories

69	Filter kit (Incl. Ref. #1-5)		
	Model 4B248	TF060503AV	2
	Model 5Z405	TF060500AV	2
70	Ring kit	TF006900AJ	2
71	High pressure piston assembly	TF002300AJ	2
72	Low pressure piston assembly	TF002400AJ	2
●	Gasket kit	TF061600AJ	2
† ††	Threaded air filter kit	ST073902AV	2
††	Continuous run unloader (Load Genie)	ST128400AV	1
*	Standard hardware item, available locally		
▲	Optional adapter kit provides 1 inch NPT threads at pump head. Requires piping between pump and filter kit	ST073902AV	
†	Filter kit required for optional adapter kit	TF060502AV	
††	Optional		

TORQUE VALUES

Ref. No.	Description	Torque
6	3/8-16 Screw, head	42 ft. lb. (5,8 kg m)
26	3/8-24 Screw, cylinder	15 ft. lb. (2,1 kg m)
30	5/16-18 Screw, connecting rod	14 ft. lb. (1,9 kg m)
32	5/16-18 Screw, bearing cap	14 ft. lb. (1,9 kg m)
51	1/2 inch Torque screw, flywheel	50 ft. lb. (6,9 kg m)
75	Head to valve plate screw	100 in. lb. (115,30 kg cm)

SPEEDAIRE THREE-YEAR LIMITED WARRANTY

SPEEDAIRE THREE-YEAR LIMITED WARRANTY. All Speedaire® product models covered in this manual are warranted by Dayton Electric Mfg. Co. ("Dayton") to the original user against defects in workmanship or materials under normal use for three years after date of purchase. If the Speedaire Product is part of a set, only the portion that is defective is subject to this warranty. Any product or part which is determined to be defective in material or workmanship and returned to an authorized service location, as Dayton or Dayton's designee designates, shipping costs prepaid, will be, as the exclusive remedy, repaired or replaced with a new or reconditioned product or part of equal utility or a full refund given, at Dayton's or Dayton's designee's option, at no charge. For limited warranty claim procedures, see "Warranty Service" below. This warranty is void if there is evidence of misuse, mis-repair, mis-installation, abuse or alteration. This warranty does not cover normal wear and tear of Speedaire Products or portions of them, or products or portions of them which are consumable in normal use. This limited warranty gives purchasers specific legal rights, and you may also have other rights which vary from jurisdiction to jurisdiction.

WARRANTY DISCLAIMERS AND LIMITATIONS OF LIABILITY RELATING TO ALL CUSTOMERS FOR ALL PRODUCTS

LIMITATION OF LIABILITY. TO THE EXTENT ALLOWABLE UNDER APPLICABLE LAW, DAYTON'S LIABILITY FOR CONSEQUENTIAL AND INCIDENTAL DAMAGES IS EXPRESSLY DISCLAIMED. DAYTON'S LIABILITY IN ALL EVENTS IS LIMITED TO AND SHALL NOT EXCEED THE PURCHASE PRICE PAID.

WARRANTY DISCLAIMER. A DILIGENT EFFORT HAS BEEN MADE TO PROVIDE PRODUCT INFORMATION AND ILLUSTRATE THE SPEEDAIRE PRODUCTS IN THIS LITERATURE ACCURATELY; HOWEVER, SUCH INFORMATION AND ILLUSTRATIONS ARE FOR THE SOLE PURPOSE OF IDENTIFICATION, AND DO NOT EXPRESS OR IMPLY A WARRANTY THAT THE SPEEDAIRE PRODUCTS ARE MERCHANTABILITY, OR FIT FOR A PARTICULAR PURPOSE, OR THAT THE SPEEDAIRE PRODUCTS WILL NECESSARILY CONFORM TO THE ILLUSTRATIONS OR DESCRIPTIONS. EXCEPT AS PROVIDED BELOW, NO WARRANTY OR AFFIRMATION OF FACT, EXPRESSED OR IMPLIED, OTHER THAN AS STATED IN THE "LIMITED WARRANTY" ABOVE IS MADE OR AUTHORIZED BY DAYTON.

PRODUCT SUITABILITY. MANY JURISDICTIONS HAVE CODES AND REGULATIONS GOVERNING SALES, CONSTRUCTION, INSTALLATION, AND/OR USE OF PRODUCTS FOR CERTAIN PURPOSES, WHICH MAY VARY FROM THOSE IN NEIGHBORING AREAS. WHILE ATTEMPTS ARE MADE TO ASSURE THAT SPEEDAIRE PRODUCTS COMPLY WITH SUCH CODES, DAYTON CANNOT GUARANTEE COMPLIANCE, AND CANNOT BE RESPONSIBLE FOR HOW THE PRODUCT IS INSTALLED OR USED. BEFORE PURCHASE AND USE OF A PRODUCT, REVIEW THE SAFETY/SPECIFICATIONS, AND ALL APPLICABLE NATIONAL AND LOCAL CODES AND REGULATIONS, AND BE SURE THAT THE SPEEDAIRE PRODUCT, INSTALLATION, AND USE WILL COMPLY WITH THEM.

CONSUMERS ONLY. CERTAIN ASPECTS OF DISCLAIMERS ARE NOT APPLICABLE TO CONSUMER PRODUCTS SOLD TO CONSUMERS; (A) SOME JURISDICTIONS DO NOT ALLOW THE EXCLUSION OR LIMITATION OF INCIDENTAL OR CONSEQUENTIAL DAMAGES, SO THE ABOVE LIMITATION OR EXCLUSION MAY NOT APPLY TO YOU; (B) ALSO, SOME JURISDICTIONS DO NOT ALLOW A LIMITATION ON HOW LONG AN IMPLIED WARRANTY LASTS, SO THE ABOVE LIMITATION MAY NOT APPLY TO YOU; AND (C) BY LAW, DURING THE PERIOD OF THIS LIMITED WARRANTY, ANY IMPLIED WARRANTIES OF MERCHANTABILITY OR FITNESS FOR A PARTICULAR PURPOSE APPLICABLE TO CONSUMER PRODUCTS PURCHASED BY CONSUMERS, MAY NOT BE EXCLUDED OR OTHERWISE DISCLAIMED.

THIS LIMITED WARRANTY ONLY APPLIES TO SPEEDAIRE PRODUCTS PURCHASED BY UNITED STATES PURCHASERS FOR DELIVERY IN THE UNITED STATES.

WARRANTY SERVICE

To obtain warranty service if you purchased the covered product directly from W.W. Grainger, Inc. ("Grainger"), (i) write or call or visit the local Grainger branch from which the product was purchased or another Grainger branch near you (see www.grainger.com for a listing of Grainger branches); or (ii) contact Grainger by going to www.grainger.com and clicking on the "Contact Us" link at the top of the page, then clicking on the "Email us" link; or (iii) call Customer Care (toll free) at 1-888-361-8649. To obtain warranty service if you purchased the covered product from another distributor or retailer, (i) go to www.grainger.com for Warranty Service; (ii) write or call or visit a Grainger branch near you; or (iii) call Customer Care (toll free) at 1-888-361-8649. In any case, you will need to provide, to the extent available, the purchase date, the original invoice number, the stock number, a description of the defect and anything else specified in this Speedaire Three-Year Limited Warranty. You may be required to send the product in for inspection at your cost. You can follow up on the progress of inspections and corrections in the same ways. Title and risk of loss pass to buyer on delivery to common carrier, so if product was damaged in transit to you, file claim with carrier, not the retailer, Grainger or Dayton. For warranty information for purchasers and/or delivery outside the United States, please contact:

**Dayton Electric Mfg. Co.,
100 Grainger Parkway, Lake Forest, IL 60045 U.S.A.
or call +1-888-361-8649**

®

SPEED-AIR®



Cabezales para Compresores de Aire

Modelos 5Z405, 4B248

®

SPEEDART

POR FAVOR, LEA Y GUARDE ESTAS INSTRUCCIONES. LEALAS CUIDADOSAMENTE ANTES DE TRATAR DE MONTAR, INSTALAR, OPERAR O DAR MANTENIMIENTO AL PRODUCTO AQUI DESCRITO.

PROTEJASE USTED MISMO Y A LOS DEMAS OBSERVANDO TODA LA INFORMACION DE SEGURIDAD. ¡EL NO CUMPLIR CON LAS INSTRUCCIONES PUEDE OCASIONAR DAÑOS, TANTO PERSONALES COMO A LA PROPIEDAD! GUARDE ESTAS INSTRUCCIONES PARA REFERENCIA EN EL FUTURO.

CONSULTE LA CUBIERTA POSTERIOR PARA VER LA INFORMACION DE GARANTIA DE DAYTON Y OTRA INFORMACION IMPORTANTE.

Núm. de Modelo: _____

Núm. de Serie: _____

Fecha de Compra: _____

Formulario 5S7556 / Impreso en EUA

Versión 0 12/2014

© 2014 Dayton Electric Manufacturing Co.

Reservados todos los derechos

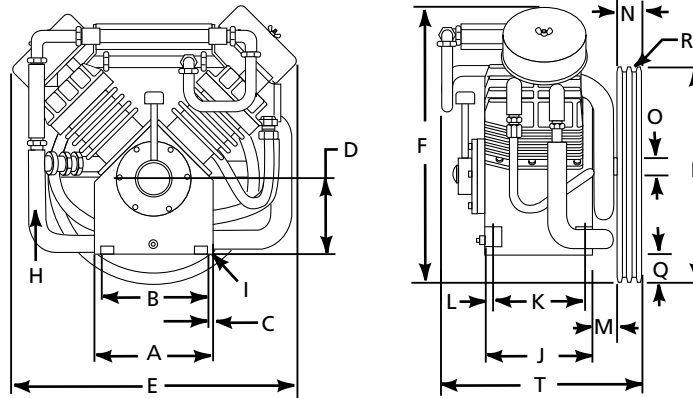
ANTES DE COMENZAR

⚠ ADVERTENCIA

Debe colocar la tapa a las bandas antes de utilizar la unidad. DEBE instalar le una válvula de seguridad ASME que esté diseñada para presiones máximas de 13,79 bar, en las líneas de aire o en el tanque de compresor.

- El volante debe girar en sentido contrario a las agujas del reloj al observarlo desde el frente del volante

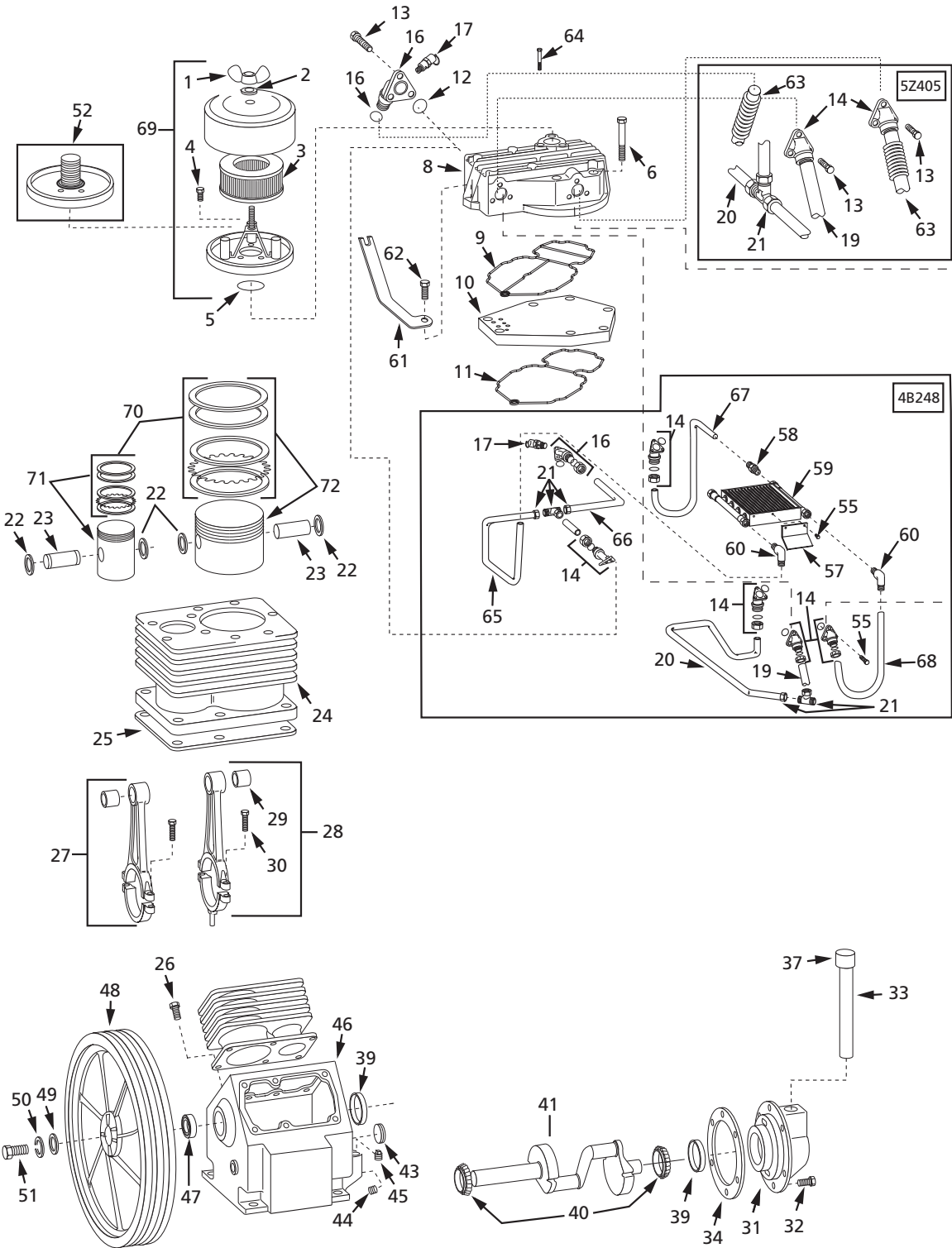
DIMENSIONES



Clave	Descripción	5Z405 (10 CP)	4B248 (15 CP)
A	Ancho de la base	28,91 cm	28,91 cm
B	Dist. entre los pernos	24,46 cm	24,46 cm
C	Dist. entre perno-borde	2,24 cm	2,24 cm
D	Base al centro del eje	17,78 cm	17,78 cm
E	Ancho total	63,5 cm	72,26 cm
F	Alt. total	54,61 cm	61,67 cm
H	Orificio de salida CP (múltiple)	1,91 cm	1,91 cm
I	Diám. orificio de los pernos	1,35 cm	1,35 cm
J	Profundidad de la base	25,7 cm	25,7 cm
K	Dist. entre los pernos (Vert.)	20,47 cm	20,47 cm
L	Distancia entre el perno/borde	2,67 cm	2,67 cm
M	Dist. máx. entre perno/volante	9,86 cm	9,86 cm
N	Ancho del volante	5,08 cm	7 cm
O	Diámetro de la manivela	3,45 cm	3,45 cm
P	Diámetro del volante	41,91 cm	49,23 cm
Q	Paso del volante	3,18 cm	3,18 cm
R	Ranuras del volante	2 VB Sec.	2 VB Sec.
T	Profundidad total	46,99 cm	49,53 cm

Referencia Rápida
Aceite Recomendado (2 Opciones)
Aceite no detergente de viscosidad única SAE 30 ISO100 para compresores. Número de parte Grainger 1WG49.
Aceite sintético 10W30 como Mobil 1®.
Capacidad De Aceite
4 cuartos de galón (3,8 L) [por bomba]

Modelo	RPM
5Z405	685
4B248	1020



**Para Obtener Partes de Reparación
en México llame al 001-800-527-2331
en EE.UU. llame al 1-800-Grainger**

24 horas al día, 365 días al año

Por favor proporcione la siguiente información:

- Número de modelo
- Número de serie (si lo tiene)
- Descripción de la parte y número que le corresponde en la lista de partes

LISTA DE PARTES DE REPARACION PARA LOS MODELOS 5Z405, 4B248

No. de Ref.	Descripción	Número de Parte:	Cant.
1	Tuerca de aletas de 6,4mm (1/4 pulg.)-	*	1
2	Arandela de 6,4mm (1/4 pulg.)	*	1
3	Elemento del filtro		
	Modelo 5Z405	ST073903AV	1
	Modelo 4B248	TF060504AV	1
4	Tornillo de 6,4mm (1/4 pulg.)-20 x 12,7mm (1/2 pulg.)	TF004801AV	3
5	Anillo en O (Incluido en Ref. #76)	---	1
6	Tornillo de 9,5mm (3/8 pulg.)-16 x 8,9cm (3-1/2 pulg.)	---	18
7	Conector de compresión	ST072318AV	1
8	Culata del cilindro	TF066202AV	2
9	● Anillo en O, placa culata-a-válvula	TF066800AV	2
10	Ensamblaje de placas de válvulas	TF066300AJ	2
11	● Anillo en O, entre el cilindro y la placa de la válvula	TF067000AV	2
12	● Anillo en O	ST164408AV	12
13	Tornillo de 6,4mm (1/4 pulg.)-20 x 19,1mm (3/4 pulg.)	ST120200AV	24
14	Ensamblaje de los conectores de tubos	TF060402AJ	4
15	Interenfriamiento, cilindro derecho (desde el frente del volante)	TX033700AP	1
16	Ensamblaje de los conectores de tubos	TF060403AJ	2
17	Válvula de seguridad, Modelo 5Z405	V-208900AV	2
	Válvula de seguridad, Modelo 4B248	V-209100AV	1
18	Interenfriamiento, cilindro izquierdo (desde el frente del volante)	TX033600AP	1
19	Tubo de descarga	TX032000AP	1
20	Tubo de empalme	TX031600AP	1
21	Conexión de compresión, 19,1 mm (3/4 pulg.)	ST072110AV	2
22	Anillo de retención	ST059400AV	8
23	Pasador del pistón	TF000500AV	4
24	Cilindro	TF058000AG	2
25	● Empaque, entre el cilindro y la caja del cigüeñal	XA006200AV	2
26	Tornillo Hex de 9,5mm (3/8 pulg.)-24 x 2,54cm (1 pulg.)	---	12
27	Ensamblaje de la biela sin el cucharón	TF057802AJ	2
28	Ensamblaje de la biela con el cucharón	TF057801AJ	2
29	Cojinete de agujas	ST051100AV	4
30	Tornillo de cabeza tubular de 7,9mm (5/16 pulg.)-18 x 3,8 cm (1-1/2 pulg.)	TF064700AV	8
31	Tapa de los cojinetes	TF060901AV	1
32	Tornillo de 7,9mm (5/16 pulg.)-18 x 19,1mm (3/4 pulg.)	---	6
33	Tubo del respiradero	TW003600AV	1
34	● Empaque de 0,38mm (0.015 pulg.)	XA006102AV	1
	Empaque de 0,61mm (0.015 pulg.) (no se muestra)	XA006103AV	1
35	Rejilla del respiradero (no se muestra)	TW014800AJ	
36	Bola del respiradero (no se muestra)	ST094700AV	1
37	Conjunto de respiradero	TX036100AV	1
38	Tornillo de 6,4mm (1/4 pulg.)-20 x 9,5mm (3/8 pulg.) (no se muestra)	---	1
39	Taza de cojinetes	ST066200AV	2
40	Cono de los cojinetes	ST067000AV	2
41	Caja del cigüeñal con conos de los cojinetes	TX034400AJ	1
42	Tubo de descarga	TX035500AP	1
43	Medidor de aceite	TF050101AV	1
44	Tapón del orificio de drenaje de 6,4mm (1/4 pulg.)-18 NPT	ST022500AV	1
45	Tapón de 12,7mm (1/2 pulg.)-14 NPT (orificio de lubricación)	---	1
46	Caja del cigüeñal con cojinetes	---	1
47	Sello del sistema de lubricación	ST066901AV	1

No. de Ref.	Descripción	Número de Parte:	Cant.
48	Volante		
	Modelo 5Z405	PU016700AJ	1
	Modelo 4B248	TX034801AV	1
49	Arandela	TX034600AV	1
50	Arandela de seguridad	---	1
51	Tornillo de torque	TX034700AV	1
52	▲ Adaptador con roscas de la entrada de aire (opcional)	TF060502AV	1
53	Tubo de descarga	TX032001AP	1
54	Tubo de descarga	TX035400AP	1
55	Tornillo de 6,4mm (1/4 pulg.)-20 x 15,9mm (5/8 pulg.)	---	5
56	Arandela	ST029100AV	5
57	Abrazadera	TX034300AV	2
58	Conector recto de compresión	ST072024AV	1
59	Sistema de interenfriamiento	TX032700AV	1
60	Codo de 90° con accesorios de compresión	ST072231AV	2
61	Abrazadera (Sólo el modelo 4B248)	TX034801AV	1
62	Tornillo	---	1
63	Interenfriamiento, cilindro derecho (desde el frente del volante)	TX000900BH	1
	Interenfriamiento, cilindro izquierdo (desde el frente del volante)	TX000800BH	1
64	Tornillo autorroscante de 1/4 x 20 x 2.5	*	2
65	Tubo termocambiador	TX035500AP	1
66	Tubo termocambiador	TX035400AP	1
67	Tubo termocambiador	TX033600AP	1
68	Tubo termocambiador	TX033700AP	1
Juego De Repuestos y Accesorios			
69	Juego de filtros (Incl. # de Ref. 1-5)		
	Modelo 4B248	TF060503AV	2
	Modelo 5Z405	TF060500AV	2
70	Juego de anillos	TF006900AJ	2
71	Ensamblaje de los pistones de alta presión	TF002300AJ	2
72	Ensamblaje de los pistones de baja presión	TF002400AJ	2
●	Juego de empaques	TF061600AJ	2
† ††	Juego de filtro de aire con roscas	ST073902AV	2
††	Descargador para uso continuo (Genie)	ST128400AV	1
*	Disponibles en cualquier ferretería		
▲	El adaptador opcional le provee roscas de 2,54 cm (1 pulg.) NPT en la culata del cabezal. Requiere tuberías entre el cabezal y el juego de filtros	ST073902AV	
†	Juego de filtros requerido para el adaptador opcional	TF060502AV	
††	Opcional		

VALORES DE LOS TORQUES

# de Ref.	Descripción	Torque
6	Tornillo de 9,5mm (3/8 pulg.)-16, culata	42 ft. lb. (5,8 kg m)
26	Tornillo de 9,5mm (3/8 pulg.)-24, cilindro	15 ft. lb. (2,1 kg m)
30	Tornillo de 7,9mm (5/16 pulg.)-18, biela	14 ft. lb. (1,9 kg m)
32	Tornillo de 7,9mm (5/16 pulg.)-18, tapa de cojinetes	14 ft. lb. (1,9 kg m)
51	Tornillo de torque de 12,7mm (1/2 pulg.), volante	50 ft. lb. (6,9 kg m)
75	Tornillo de placa culata-a-válvula	100 in. lb. (115,30 kg cm)

GARANTIA LIMITADA DE SPEEDAIRE POR TRES AÑOS

GARANTIA LIMITADA DE SPEEDAIRE POR TRES AÑOS. Dayton Electric Mfg. Co. ("Dayton") le garantiza al usuario original que todos los modelos de los productos Speedaire® tratados en este manual están libres de defectos en la mano de obra o el material, cuando se les somete a uso normal, por tres años a partir de la fecha de compra. Si el producto Speedaire es parte de un juego, sólo la parte defectuosa está sujeta a esta garantía. Cualquier producto o parte que se halle defectuoso, ya sea en el material o en la mano de obra, y sea devuelto (con los costos de envío pagados por adelantado) a un centro de servicio autorizado designado por Dayton o por una entidad designada por Dayton, será reparado o reemplazado (no existe otra posibilidad) por un producto o parte nuevo o reacondicionado de igual uso o se le reembolsará el costo total, según lo determine Dayton o una entidad designada por Dayton, libre de costo. Para obtener información sobre los procedimientos de reclamo cubiertos en la garantía limitada, vea la sección "Servicio de Garantía" que aparece más adelante. Se anulará esta garantía si se detecta evidencia de mal uso, reparación defectuosa, instalación defectuosa, abuso o modificación. Esta garantía no cubre desgaste y ruptura normal de los productos Speedaire o parte de los mismos, o productos o partes de los mismos que se pueden utilizar durante uso normal. Esta garantía limitada les otorga a los compradores derechos legales específicos y también puede usted tener otros derechos que varíen de jurisdicción a jurisdicción.

EXCLUSIÓN DE RESPONSABILIDAD DE LA GARANTÍA Y LÍMITES DE RESPONSABILIDAD RELACIONADOS A TODOS LOS CLIENTES PARA TODOS LOS PRODUCTOS

LÍMITES DE RESPONSABILIDAD. EN LA MEDIDA EN QUE LAS LEYES APLICABLES LO PERMITAN, LA RESPONSABILIDAD DE DAYTON POR LOS DAÑOS EMERGENTES O INCIDENTALES ESTA EXPRESAMENTE EXCLUIDA. LA RESPONSABILIDAD DE DAYTON EXPRESAMENTE ESTA LIMITADA Y NO PUEDE EXCEDER EL PRECIO DE COMPRA PAGADO POR EL ARTICULO.

EXCLUSIÓN DE RESPONSABILIDAD DE LA GARANTÍA. SE HA HECHO UN ESFUERZO DILIGENTE PARA PROPORCIONAR INFORMACION E ILUSTRACIONES APROPIADAS SOBRE LOS PRODUCTOS SPEEDAIRE EN ESTE MANUAL; SIN EMBARGO, ESTA INFORMACION Y LAS ILUSTRACIONES TIENEN COMO UNICO PROPOSITO LA IDENTIFICACION DE LOS PRODUCTOS Y NO EXPRESAN NI IMPLICAN GARANTIA DE QUE LOS PRODUCTOS SPEEDAIRE SEAN VENDIBLES O ADECUADOS PARA UN PROPOSITO EN PARTICULAR NI QUE SE AJUSTAN NECESARIAMENTE A LAS ILUSTRACIONES O DESCRIPCIONES. CON EXCEPCION DE LO QUE SE ESTABLECE A CONTINUACION, DAYTON NO HACE NI AUTORIZA NINGUNA GARANTIA O AFIRMACION DE HECHO, EXPRESA O IMPLICITA, QUE NO SEA ESTIPULADA EN LA "GARANTIA LIMITADA" ANTERIOR.

ADAPTACION DEL PRODUCTO. MUCHAS JURISDICCIONES TIENEN CODIGOS O REGULACIONES SOBRE LA VENTA, EL DISEÑO, LA INSTALACION Y/O EL USO DE PRODUCTOS PARA CIERTAS APLICACIONES; DICHAS LEYES PUEDEN VARIAR DE UN AREA A OTRA. SI BIEN SE TRATA DE QUE LOS PRODUCTOS SPEEDAIRE CUMPLAN CON DICHS CODIGOS, NO SE PUEDE GARANTIZAR SU CONFORMIDAD Y NO SE PUEDE HACER RESPONSABLE POR LA FORMA EN QUE SE INSTALE O USE SU PRODUCTO. ANTES DE COMPRAR Y USAR EL PRODUCTO, REVISE LA INFORMACION DE SEGURIDAD/ESPECIFICACIONES, Y TODOS LOS CODIGOS Y REGULACIONES NACIONALES Y LOCALES APLICABLES, Y ASEGURESE QUE LOS PRODUCTOS SPEEDAIRE, LA INSTALACION Y EL USO LOS CUMPLAN.

CONSUMIDOR SOLAMENTE. CIERTOS ASPECTOS DE LIMITE DE RESPONSABILIDAD NO SE APLICAN A PRODUCTOS AL CONSUMIDOR; ES DECIR (A) ALGUNAS JURISDICCIONES NO PERMITEN LA EXCLUSION NI LIMITACION DE DAÑOS INCIDENTALES O CONSECUENTES, DE MODO QUE LAS LIMITACIONES O EXCLUSIONES ANTERIORES QUIZAS NO APLIQUEN EN SU CASO; (B) ASIMISMO, ALGUNAS JURISDICCIONES NO PERMITEN LIMITAR EL PLAZO DE UNA GARANTIA IMPLICITA, POR LO TANTO, LA LIMITACION ANTERIOR QUIZAS NO APLIQUE EN SU CASO; Y (C) POR LEY, MIENTRAS LA GARANTIA LIMITADA ESTE VIGENTE NO PODRAN EXCLUIRSE NI LIMITARSE EN MODO ALGUNO NINGUNA GARANTIA IMPLICITA DE COMERCIALIZACION O DE IDONEIDAD PARA UN PROPOSITO EN PARTICULAR APLICABLES A LOS PRODUCTOS AL CONSUMIDOR ADQUIRIDOS POR ESTE.

ESTA GARANTIA LIMITADA APLICA UNICAMENTE A LOS PRODUCTOS SPEEDAIRE COMPRADOS POR COMPRADORES EN LOS ESTADOS UNIDOS PARA ENTREGA EN LOS ESTADOS UNIDOS.

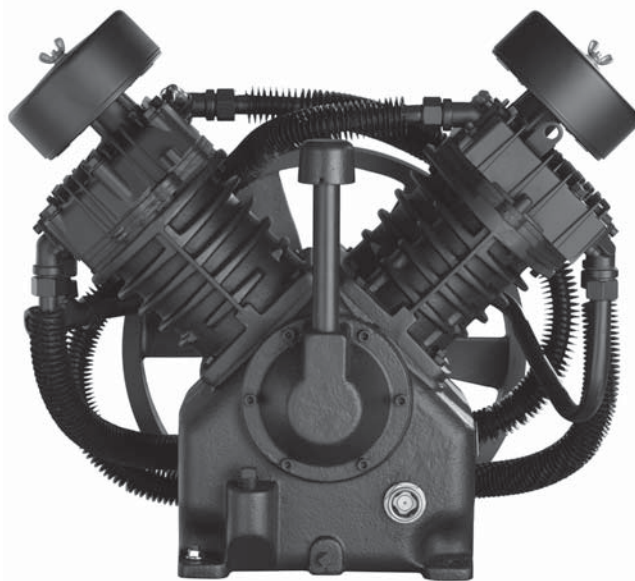
SERVICIO DE GARANTIA

Para obtener un servicio de garantía si compró un producto cubierto directamente de W.W. Grainger, Inc. ("Grainger"), (i) escriba, llame o visite la sucursal local de Grainger donde compró el producto u otra sucursal de Grainger cerca de usted (visite www.grainger.com para obtener una lista de las sucursales); o (ii) comuníquese con Grainger visitando www.grainger.com y haga clic en el enlace "Contact Us" en la parte superior de la página, luego haga clic en enlace "Email us"; o (iii) llame a Servicio al Cliente (libre de cargo) al 1-888-361-8649. Para obtener servicio de garantía si compró el producto cubierto a través de otro distribuidor o minorista, (i), visite www.grainger.com para el Servicio de Garantía; (ii) escriba, llame o visite la sucursal de Grainger cerca de usted; o (iii) llame a Servicio al Cliente (libre de cargo) al 1-888-361-8649. En cualquiera de los casos, necesitará proporcionar, cuando esté disponible, la fecha de compra, el número de factura original, el número de pieza, una descripción del defecto, y cualquier otra información que especifique esta Garantía limitada de Speedaire por tres años. Se le podría solicitar que envíe el producto a su propio coste para que lo inspeccionen. Puede hacer un seguimiento de los avances de las inspecciones y medidas correctivas de la misma forma. El título y el riesgo de pérdida pasa del comprador en el momento de la entrega a la compañía de transporte, por lo que si el producto sufre daños durante el transporte, presente un reclamo a la compañía transportista, no al minorista, Grainger o Dayton. Para información sobre la garantía para compradores y/o entregas fuera de los Estados Unidos, comuníquese con:

**Dayton Electric Mfg. Co.,
100 Grainger Parkway, Lake Forest, IL 60045 EE.UU.
o llame al +1-888-361-8649**

®

SPEED-AIR



Pompes Pour Compresseur d'Air

Modèles 5Z405, 4B248

®

SPEEDART

LIRE ET CONSERVER CES INSTRUCTIONS. IL FAUT LES LIRE ATTENTIVEMENT AVANT DE COMMENCER À ASSEMBLER, INSTALLER, FAIRE FONCTIONNER OU ENTRETENIR L'APPAREIL DÉCRIT.

POUR SE PROTÉGER ET PROTÉGER AUTRUI, OBSERVER TOUTES LES INFORMATIONS SUR LA SÉCURITÉ. NÉGLIGER D'APPLIQUER CES INSTRUCTIONS PEUT CAUSER DES BLESSURES ET/OU DES DOMMAGES MATÉRIELS! CONSERVER CES INSTRUCTIONS POUR CONSULTATION ULTÉRIEURE.

SE REPORTER AU DOS DE LA PRÉSENTE BROCHURE POUR LES INFORMATIONS CONCERNANT LA GARANTIE DAYTON ET D'AUTRES INFORMATIONS IMPORTANTES.

N° de modèle : _____

N° de série : _____

Date d'achat : _____

Brochure 5S7556 / Imprimée en É.-U.

Version 0 12/2014

© 2014 Dayton Electric Manufacturing Co.

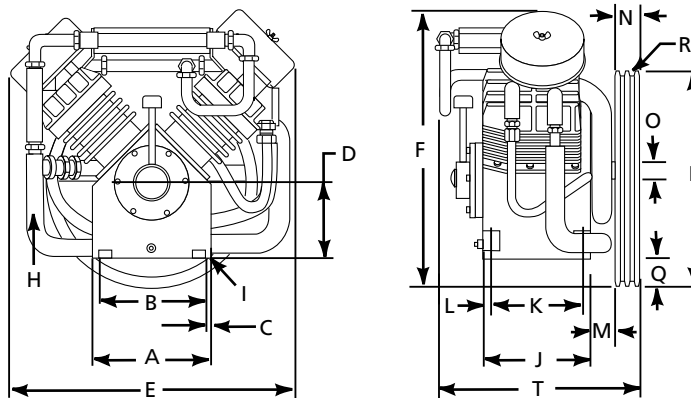
Tous droits réservés

AVANT DE COMMENCER

⚠ AVERTISSEMENT *Un carter de courroie doit être installé avant de faire fonctionner le modèle. Une soupape de sûreté ASME avec un réglage qui ne dépasse pas 1379 kPa DOIT être installée dans les canalisations d'air ou dans le réservoir pour compresseur.*

- LA ROTATION DE VOLANT EST AU SENS CONTRAIRE DES AIGUILLES D'UNE MONTRE EN FAISANT FACE AU VOLANT

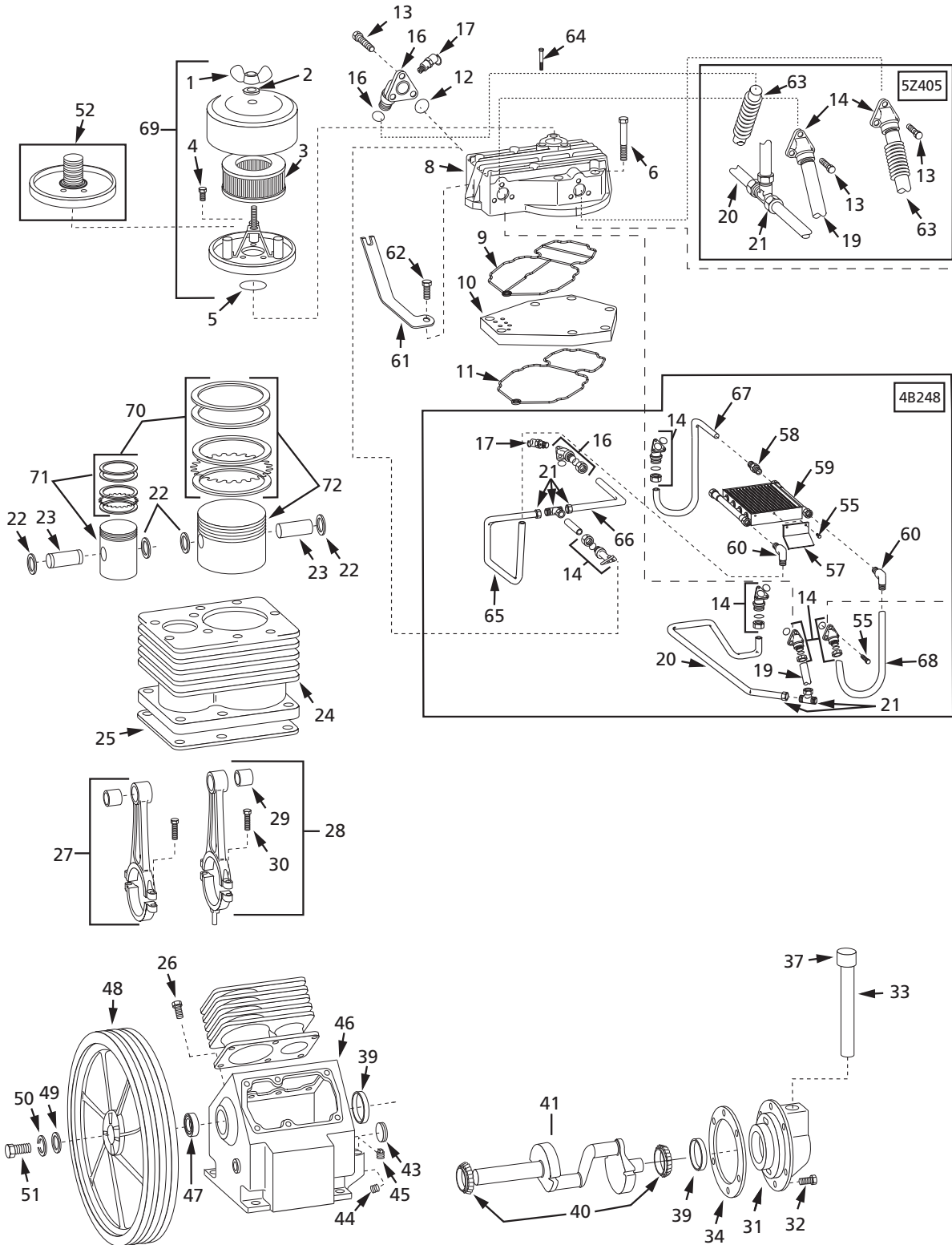
DIMENSIONS



Réf.	Article	5Z405 (10 HP)	4B248 (15 HP)
A	Base-largueur	28,91 cm	28,91 cm
B	Largeur de boulonnage	24,46 cm	24,46 cm
C	Du bolon au bord	2,24 cm	2,24 cm
D	Base à manivelle CTR	17,78 cm	17,78 cm
E	Largeur générale	63,5 cm	72,26 cm
F	Hauteur générale	54,61 cm	61,67 cm
H	Ouverture d'échap. HP (collecteur)	1,91 cm	1,91 cm
I	Dia. du trou de boulonnage	1,35 cm	1,35 cm
J	Base-profondeur	25,7 cm	25,7 cm
K	Boulonnage au bord	20,47 cm	20,47 cm
L	Boulonnage au bord	2,67 cm	2,67 cm
M	Boulon au volant (max.) en bas	9,86 cm	9,86 cm
N	Largeur du volant	5,08 cm	7 cm
O	Diamètre de manivelle	3,45 cm	3,45 cm
P	Diamètre du volant	41,91 cm	49,23 cm
Q	Abaissement du volant	3,18 cm	3,18 cm
R	Rainures du volant	2 VB Section	2 VB Section
T	Prof. générale	46,99 cm	49,53 cm

Référence rapide
Huile Recommandée (2 Options)
Huile de compresseur sans détergent à viscosité simple, SAE 30 ISO. Numéro de pièce Grainger 1WG49.
Huile synthétique 10W30 comme Mobil 1®.
Capacité d'huile
3,8 l (4 pintes) [par pompe]

Modèle	tr/min
5Z405	685
4B248	1020



Pour commander des pièces détachées, composer le 1-800-Grainger

24 heures par jour – 365 jours par an

Fournir les informations suivantes :

- Numéro de modèle
- Numéro de série (s'il y en a un)
- Description et numéro de pièce comme indiqué sur la liste des pièces

LISTE DES PIÈCES DÉTACHÉES POUR LES MODÈLES 5Z405, 4B248

N° de réf.	Description	Numéro de pièce :	Qté
1	Écrou à oreilles 1/4-20	*	1
2	Rondelle 1 /4 po	*	1
3	Cartouche filtrante		
	Modèle 5Z405	ST073903AV	1
	Modèle 4B248	TF060504AV	1
4	Vis 1/4-20 x 5/8 po	TF004801AV	3
5	Joint d'étanchéité (Inclus avec Réf. #76)	---	1
6	Vis 3/8-16 x 3-1/2 po	---	18
7	Raccord de compression	ST072318AV	1
8	Culasse	TF066202AV	2
9	● Joint torique, culasse à plaque de soupape	TF066800AV	2
10	Assemblage de plaque de soupape	TF066300AJ	2
11	● Joint torique, cylindre à pl. de soupape	TF067000AV	2
12	● Joint d'étanchéité	ST164408AV	12
13	Vis 1/4-20 x 3/4 po	ST120200AV	24
14	Assemblage de raccords de tuyauterie	TF060402AJ	4
15	Refroidisseur interne, cyl. droit (face au volant)	TX033700AP	1
16	Assemblage de raccords de tuyauterie	TF060403AJ	2
17	Soupape de sûreté, Modèle 5Z405	V-208900AV	2
	Soupape de sûreté, Modèle 4B248	V-209100AV	1
18	Refroidisseur int., cyl. gauche (face au volant)	TX033600AP	1
19	Tuyau flexible de refoulement	TX032000AP	1
20	Tuyau transversal	TX031600AP	1
21	Té de compression 3/4 po	ST072110AV	2
22	Bague de retenue	ST059400AV	8
23	Axe de piston	TF000500AV	4
24	Cylindre	TF058000AG	2
25	● Joint d'étanchéité, cyl. au carter	XA006200AV	2
26	Vis à tête hexagonale 3/8-24 x 1 po	---	12
27	Assemblage de bielle sans plongeur	TF057802AJ	2
28	Assemblage de bielle avec plongeur	TF057801AJ	2
29	Roulement à aiguilles	ST051100AV	4
30	Vis à tête creuse 5/16-18 x 1-1/2 po	TF064700AV	8
31	Chapeau de palier	TF060901AV	1
32	Vis d'arrêt 5/16-18 x 3/4 po	---	6
33	Tube de reniflard	TW003600AV	1
34	● Joint d'étanchéité 0.015 po	XA006102AV	1
	Joint d'étanchéité 0.024 po (pas indiqué)	XA006103AV	1
35	Engrènement de reniflard (pas indiqué)	TW014800AJ	
36	Bille de reniflard (pas indiqué)	ST094700AV	1
37	Reniflard	TX036100AV	1
38	Vis d'arrêt 1/4-20 x 3/8 po (pas indiqué)	---	1
39	Cuvette de roulement	ST066200AV	2
40	Cône de roulement	ST067000AV	2
41	Vilebrequin avec cônes de roulement	TX034400AJ	1
42	Tuyau flexible de refoulement	TX035500AP	1
43	Indicateur de niveau d'huile	TF050101AV	1
44	Bouchon de vidange 1/4-18 NPT	ST022500AV	1
45	Bouchon de remplissage 1/2-14 NPT	---	1
46	Assemblage de carter avec roulements	---	1
47	Bague d'étanchéité	ST066901AV	1
48	Volant		
	Modèle 5Z405	PU016700AJ	1
	Modèle 4B248	TX034801AV	1
49	Rondelle	TX034600AV	1
50	Rondelle-frein	---	1
51	Vis de torsion	TX034700AV	1
52	▲ Adaptateur de prise à air fileté (en option)	TF060502AV	1
53	Tuyau flexible de refoulement	TX032001AP	1

N° de réf.	Description	Numéro de pièce :	Qté
54	Tuyau flexible de refoulement	TX035400AP	1
55	Vis 1/4-20 x 5/8 po	---	5
56	Rondelle	ST029100AV	5
57	Support	TX034300AV	2
58	Raccord de compression droit	ST072024AV	1
59	Refroidisseur interne	TX032700AV	1
60	Coude de 90° avec bague de compression	ST072231AV	2
61	Support (Modèle 4B248 uniquement)	TX034801AV	1
62	Vis	---	1
63	Refroidisseur interne, cyl. Droit (face au volant)	TX000900BH	1
	Refroidisseur int., cyl. gauche (face au volant)	TX000800BH	1
64	Vis auto-taraudeuse de 1/4 x 20 x 2,5	*	2
65	Tube d'échange thermique	TX035500AP	1
66	Tube d'échange thermique	TX035400AP	1
67	Tube d'échange thermique	TX033600AP	1
68	Tube d'échange thermique	TX033700AP	1

Nécessaires de Remplacement et Accessoires

69	Nécessaire de filtre (# Réf 1-5 compris)		
	Modèle 4B248	TF060503AV	2
	Modèle 5Z405	TF060500AV	2
70	Nécessaire de bagues	TF006900AJ	2
71	Assemblage de piston de haute pression	TF002300AJ	2
72	Assemblage de piston de basse pression	TF002400AJ	2
●	Nécessaire de joints d'étanchéité	TF061600AJ	2
† ††	Nécessaire de filtre à air fileté	ST073902AV	2
††	Déchargeur de fonct. Continu (Load Genie)	ST128400AV	1
*	Objet de quincaillerie ordinaire, disponible sur place		
▲	Nécessaire d'adaptateur en option fournit des filets 1 po NPT à la tête de la pompe. Requier la tuyauterie entre la pompe et le nécessaire de filtre	ST073902AV	
†	Nécessaire de filtre requiert pour le nécessaire d'adaptateur en option	TF060502AV	
††	En Option		

VALEUR DE TORSION

No de Réf	Description	Torque
6	Vis, culasse 3/8-16	42 ft. lb. (5,8 kg m)
26	Vis, cylindre 3/8-24	15 ft. lb. (2,1 kg m)
30	Vis, bielle 5/16-18	14 ft. lb. (1,9 kg m)
32	Vis, chapeau de palier 5/16-18	14 ft. lb. (1,9 kg m)
51	Vis de torsion, volant 1/2 po	50 ft. lb. (6,9 kg m)
75	Vis, culasse à plaque de soupape	100 in. lb. (115,30 kg cm)

GARANTIE LIMITÉE DE TROIS ANS FOURNIE PAR SPEEDAIRE

GARANTIE LIMITÉE DE TROIS ANS FOURNIE PAR SPEEDAIRE. Tous les modèles de produits Speedaire® couverts dans ce manuel sont garantis par Dayton Electric Mfg. Co. (« Dayton ») au premier utilisateur contre tout défaut de fabrication ou de matériau, dans des conditions d'utilisation normales durant trois ans à compter de la date d'achat. Si le produit Speedaire fait partie d'un ensemble, seul le composant du produit présentant un défaut est couvert par la présente garantie. Tout produit ou toute pièce présentant un défaut de fabrication ou de matériau et retourné(e) à un centre de service agréé désigné par Dayton ou par un représentant désigné de Dayton, port payé, sera à titre de recours exclusif, réparé(e) ou remplacé(e) par un produit neuf ou une pièce neuve, ou par un produit ou une pièce remis à neuf d'utilité égale, ou fera l'objet d'un remboursement intégral, au choix de Dayton ou d'un représentant désigné de Dayton, sans frais. Voir les procédures de réclamation sous garantie limitée sous la rubrique « Service de garantie » ci-après. La présente garantie est annulée en cas de preuve de mésusage, de réparation défectueuse, d'installation défectueuse, d'utilisation abusive ou de modification. La présente garantie ne couvre pas l'usure normale des produits Speedaire ou des composants de ces produits, ou des produits ou des composants de ces produits qui sont consommables lors d'une utilisation normale. La présente garantie limitée donne aux acheteurs des droits spécifiques et il est également possible de bénéficier d'autres droits qui varient selon les juridictions.

CLAUSES D'EXONÉRATION DE GARANTIE ET LIMITES DE RESPONSABILITÉ CONCERNANT TOUS LES CLIENTS POUR TOUS LES PRODUITS

LIMITES DE RESPONSABILITÉ. DANS LA MESURE PERMISE AU TITRE DE LA LOI APPLICABLE, DAYTON DÉCLINE EXPRESSÉMENT TOUTE RESPONSABILITÉ POUR TOUT DOMMAGE ACCESSOIRE ET INDIRECT. LA RESPONSABILITÉ DE DAYTON EST DANS TOUS LES CAS LIMITÉE ET NE SAURAIT DÉPASSER LE PRIX D'ACHAT.

CLAUSE D'EXONÉRATION DE GARANTIE. DE DILIGENTS EFFORTS ONT ÉTÉ FAITS POUR FOURNIR AVEC PRÉCISION LES INFORMATIONS ET ILLUSTRATIONS DES PRODUITS DÉCRITS DANS CETTE BROCHURE; CEPENDANT, DE TELLES INFORMATIONS ET ILLUSTRATIONS SONT POUR LA SEULE RAISON D'IDENTIFICATION, ET N'EXPRIMENT NI N'IMPLIQUENT QUE LES PRODUITS SPEEDAIRE SONT COMMERCIALISABLES, OU ADAPTABLES À UN BESOIN PARTICULIER, NI QUE CES PRODUITS SPEEDAIRE SONT NÉCESSAIREMENT CONFORMES AUX ILLUSTRATIONS OU DESCRIPTIONS FOURNIES. SAUF DISPOSITIONS CONTRAIRES CI-DESSOUS, AUCUNE GARANTIE OU AFFIRMATION DE FAIT, EXPRESSE OU IMPLICITE, AUTRE QUE CELLE ÉNONCÉE À LA RUBRIQUE « GARANTIE LIMITÉE » CI-DESSUS, N'EST FOURNIE OU AUTORISÉE PAR DAYTON.

CONFORMITÉ DU PRODUIT. DANS DE NOMBREUSES JURIDICTIONS, LES CODES ET LES RÈGLEMENTATIONS QUI RÉGISSENT LES VENTES, LA CONSTRUCTION, L'INSTALLATION ET/OU L'UTILISATION DE PRODUITS POUR CERTAINS USAGES PEUVENT ÊTRE DIFFÉRENTS DE CEUX DE RÉGIONS AVISINANTES. BIEN QUE DAYTON SE SOIT EFFORCÉE DE RENDRE SES PRODUITS CONFORMES À CES CODES, LA SOCIÉTÉ NE PEUT EN GARANTIR LA CONFORMITÉ ET NE SAURAIT ÊTRE RESPONSABLE DE LA MANIÈRE DONT LES PRODUITS SONT INSTALLÉS OU UTILISÉS. AVANT D'ACHETER ET D'UTILISER UN PRODUIT, IL EST CONSEILLÉ D'ÉTUDE LES DIRECTIVES DE SÉCURITÉ/CARACTÉRISTIQUES TECHNIQUES AINSI QUE LES CODES ET RÈGLEMENTATIONS NATIONAUX ET LOCAUX APPLICABLES, ET DE S'ASSURER DE LA CONFORMITÉ À CES CODES DE CES PRODUITS SPEEDAIRE, DE LEUR INSTALLATION ET DE LEUR UTILISATION.

CONSOMMATEURS SEULEMENT. CERTAINS ASPECTS DES DÉNIS DE GARANTIE NE SONT PAS APPLICABLES AUX PRODUITS DE CONSOMMATION VENDUS AUX CONSOMMATEURS (A) CERTAINES JURIDICTIONS N'AUTORISENT PAS L'EXCLUSION OU LA LIMITATION DES DOMMAGES ACCESSOIRES OU INDIRECTS, DE SORTE QUE LA LIMITATION OU L'EXCLUSION SUSMENTIONNÉE PEUT NE PAS S'APPLIQUER À VOTRE CAS; (B) EN OUTRE, CERTAINES JURIDICTIONS N'AUTORISENT PAS DE LIMITE SUR LA DURÉE D'UNE GARANTIE IMPLICITE, PAR CONSÉQUENT LA LIMITE SUSMENTIONNÉE PEUT NE PAS S'APPLIQUER À VOTRE CAS; ET (C) EN VERTU DE LA LOI, DURANT LA PÉRIODE DE GARANTIE LIMITÉE, TOUTE GARANTIE IMPLICITE DE QUALITÉ MARCHANDE OU D'ADÉQUATION À UN USAGE PARTICULIER APPLICABLE AUX PRODUITS DE CONSOMMATION ACHETÉS PAR DES CONSOMMATEURS, EST SUSCEPTIBLE DE NE PAS POUVOIR ÊTRE EXCLUE OU AUTREMENT DÉNIÉE.

LA PRÉSENTE GARANTIE LIMITÉE S'APPLIQUE SEULEMENT AUX PRODUITS SPEEDAIRE ACHETÉS PAR DES ACHETEURS AUX ÉTATS-UNIS POUR UNE LIVRAISON À L'INTÉRIEUR DES ÉTATS-UNIS.

SERVICE DE GARANTIE

Pour obtenir le service de garantie si le produit couvert a été acheté directement auprès de W.W. Grainger, Inc. (« Grainger »), (i) écrire, téléphoner à la succursale ou visiter la succursale locale de Grainger auprès de laquelle le produit a été acheté ou une autre succursale de Grainger à proximité (consulter le site www.grainger.com pour obtenir la liste des succursales de Grainger); ou (ii) communiquer avec Grainger en se rendant sur le site www.grainger.com et en cliquant sur le lien « Contact Us » en haut de la page, puis sur le lien « Email us »; ou (iii) appeler le service clientèle (sans frais) en composant le 1-888-361-8649. Pour obtenir le service de garantie si le produit couvert a été acheté auprès d'un autre distributeur ou d'un autre détaillant, (i) se rendre sur le site www.grainger.com pour obtenir le service de garantie; (ii) écrire, téléphoner à une succursale ou visiter une succursale de Grainger à proximité; ou (iii) appeler le service clientèle (sans frais) en composant le 1-888-361-8649. Dans tous les cas, il sera nécessaire de fournir dans la mesure du possible, la date d'achat, le numéro d'origine de la facture, le numéro de stock, une description du défaut et tout autre élément spécifié en vertu de la présente garantie limitée de trois ans de Speedaire. Il sera peut-être exigé de renvoyer le produit moyennant certains frais pour qu'il soit vérifié. Il est possible d'obtenir un suivi quant aux vérifications et aux modifications en cours par les moyens indiqués. Le titre et le risque de perte passe de l'acheteur au transporteur public lors de la livraison, par conséquent si le produit est endommagé pendant son transport, toute réclamation doit être déposée auprès du transporteur, et non pas auprès du détaillant, Grainger ou Dayton. Pour toute information sur la garantie concernant les acheteurs et/ou une livraison à l'extérieur des États-Unis, veuillez prendre contact avec :

**Dayton Electric Mfg. Co.,
100 Grainger Parkway, Lake Forest, IL 60045 États-Unis
ou composer le +1-888-361-8649**