

EX801200, VT635300

Para ordenar repuestos, sírvase llamar al distribuidor más cercano a su domicilio

Sírvase darnos la siguiente información:

- Número del modelo
- Número de Serie (de haberlo)
- Descripción y número del repuesto según la lista de repuestos

Puede escribirnos a:

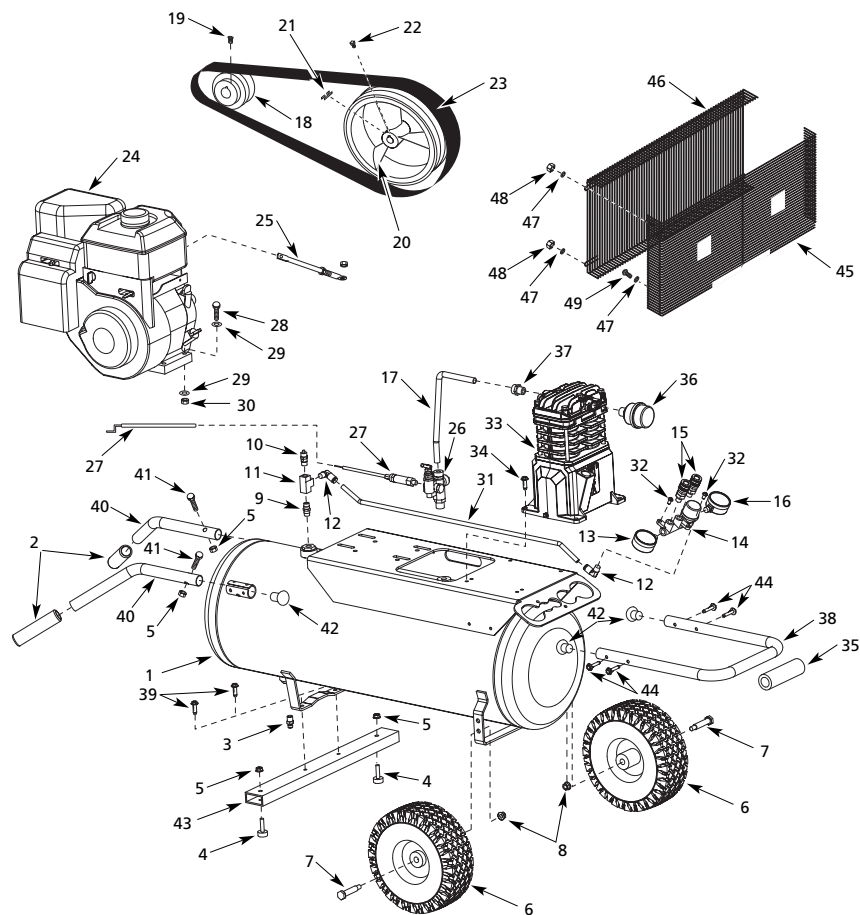
Parts Department
100 Production Drive
Harrison, OH 45030 U.S.A.

| No. de Ref. | Descripción | Número del repuesto | Ctd. | No. de Ref. | Descripción | Número del repuesto | Ctd. |
|-------------|---|---------------------|------|-------------|---|---------------------|------|
| 1 | Tanque | AR055200CG | 1 | 31 | Tube | WL021404AV | 1 |
| 2 | Asa del mango | ST160003AV | 2 | 32 | Tornillo Torx 1/4 - 20 x 6,4 mm (1/2") | ST071626AV | 2 |
| 3 | Válvula de drenaje | D-1403 | 1 | 33 | Bomba | VT470000KB | 1 |
| 4 | Pata de goma | ST162601AV | 2 | 34 | Tornillo de 7,9 mm (5/16") - 12 x 3,18 cm (1.25") | ST073249AV | 4 |
| 5 | Tuerca de 7,9 mm (5/16") - 18 | ST146001AV | 4 | 35 | Asa del mango | WL012102AV | 1 |
| 6 | Rueda neumática de 2,54 cm (10") | WA005600AV | 2 | 36 | Ensamblaje del filtro | ST073915AV | 1 |
| 7 | Perno | ST085600AV | 2 | 37 | Ensamblaje de compresión | ST159001AJ | 1 |
| 8 | Tuerca de 9,5 mm (3/8") - 16 | ST033500AV | 2 | 38 | Mango | HL006400AV | 1 |
| 9 | Niple | HF002401AV | 1 | 39 | Tornillo | ST116400AV | 2 |
| 10 | Valvula de seguridad ASME | V-215106AV | 1 | 40 | Mango | HL006500AV | 2 |
| 11 | Acople en T | ST183700AV | 1 | 41 | Tornillo de 7,9 mm (5/16") - 14 x 3,81 cm (1.5") | ST178303AV | 2 |
| 12 | Acople de codo | ST119704AV | 2 | 42 | Tapón | ST073611AV | 4 |
| 13 | Manómetro, izquierda | GA016705AV | 1 | 43 | Pata delantera | FA151100JJ | 1 |
| 14 | Regulador | WL017601AV | 1 | 44 | Tornillo de 6,4mm (1/4") - 20 x 3,81 cm (1.5") | ST073283AV | 4 |
| 15 | Acoplador | HF203300AV | 2 | 45 | Guardacorrea de alambre (atrás) | BG218700AV | 1 |
| 16 | Manómetro, derecha | GA016709AV | 1 | 46 | Guardacorrea de alambre (frente) | BG218800AV | 1 |
| 17 | Tube de descarga | VT045300AP | 1 | 47 | Arandela plana #10 | ST070906AV | 4 |
| 18 | Polea | PU015400AV | 1 | 48 | Tuerca de nylon #10-24 | ST163200AV | 4 |
| 19 | Tornillo de ajuste de cabeza cuadrada de 6,4 mm - 20 x 13 mm (1/4" - 20 x 1/2") | ST012200AV | 1 | 49 | Tornillo de #10 - 32 x 9,5 mm | ST073278AV | 6 |
| 20 | Volante | PU015900AV | 1 | | | | |
| 21 | Llave 4,8 mm (3/16") | KE000900AV | 1 | | | | |
| 22 | Tornillo de 9,5 mm (3/8") - 16 x 19 mm (3/4") | ST026200AV | 1 | | | | |
| 23 | Correa | BT023100AV | 1 | | | | |
| 24 | Motor | NG002502AV | 1 | | | | |
| 25 | Abrazadera | BG208800AJ | 1 | | | | |
| 26 | Descarga del regulador | ST128407AV | 1 | | | | |
| 27 | Control del regulador | CV006412AV | 1 | | | | |
| 28 | Tornillo de 7,9 mm (5/16") - 18 x 4,13 cm (1.625") | ST070625AV | 4 | | | | |
| 29 | Arandela | ST011200AV | 8 | | | | |
| 30 | Tuerca de seguridad | AL014000AV | 4 | | | | |

Gas Wheelbarrow VT Compressor Compresseur Brouette VT à Gaz Compresor VT a Gas de Carretilla

Replacement Parts List
Liste de Pièces de Rechange
Lista de Repuestos

**EX801200
VT635300**



For Replacement Parts, Call 1-800-543-6400

Please provide following information:

- Model number
- Serial number (if any)
- Part description and number as shown in parts list

Address parts correspondence to:

Parts Department
100 Production Drive
Harrison, OH 45030 U.S.A.

| Ref. No. | Description | Part Number | Qty | Ref. No. | Description | Part Number | Qty |
|----------|--|-------------|-----|----------|----------------------------|-------------|-----|
| 1 | Tank | AR055200CG | 1 | 31 | Tube | WL021404AV | 1 |
| 2 | Handle grip | ST160003AV | 2 | 32 | 1/4 - 20 x 1/2" Torx screw | ST071626AV | 2 |
| 3 | Drain valve | D-1403 | 1 | 33 | Pump | VT470000KB | 1 |
| 4 | Rubber foot | ST162601AV | 2 | 34 | 5/16" - 12 x 1.25" Screw | ST073249AV | 4 |
| 5 | 5/16" - 18 Nut | ST146001AV | 4 | 35 | Handle grip | WL012102AV | 1 |
| 6 | 10" Pneumatic wheel | WA005600AV | 2 | 36 | Filter assembly | ST073915AV | 1 |
| 7 | Bolt | ST085600AV | 2 | 37 | Compression assembly | ST159001AJ | 1 |
| 8 | 3/8" - 16 Nut | ST033500AV | 2 | 38 | Handle | HL006400AV | 1 |
| 9 | Nipple | HF002401AV | 1 | 39 | Screw | ST116400AV | 2 |
| 10 | ASME Safety valve | V-215106AV | 1 | 40 | Handle | HL006500AV | 2 |
| 11 | Tee fitting | ST183700AV | 1 | 41 | 5/16" - 14 x 1.5" Screw | ST178303AV | 2 |
| 12 | Elbow fitting | ST119704AV | 2 | 42 | Plug | ST073611AV | 4 |
| 13 | Gauge, left | GA016705AV | 1 | 43 | Front foot | FA151100JJ | 1 |
| 14 | Regulator | WL017601AV | 1 | 44 | 1/4" - 20 x 1.5" Screw | ST073283AV | 4 |
| 15 | Coupler | HF203300AV | 2 | 45 | Wire belt guard (back) | BG218700AV | 1 |
| 16 | Gauge, right | GA016709AV | 1 | 46 | Wire belt guard (front) | BG218800AV | 1 |
| 17 | Discharge tube | VT045300AP | 1 | 47 | #10 Flast washer | ST070906AV | 4 |
| 18 | Pulley | PU015400AV | 1 | 48 | #10 - 24 Nylon nut | ST163200AV | 4 |
| 19 | 1/4" - 20 x 1/2" Square head set screw | ST012200AV | 1 | 49 | #10 - 32 x .375" Screw | ST073278AV | 6 |
| 20 | Flywheel | PU015900AV | 1 | | | | |
| 21 | 3/16" Key | KE000900AV | 1 | | | | |
| 22 | 3/8" - 16 x .75" Setscrew | ST026200AV | 1 | | | | |
| 23 | Belt | BT023100AV | 1 | | | | |
| 24 | Engine | NG002502AV | 1 | | | | |
| 25 | Brace assembly | BG208800AJ | 1 | | | | |
| 26 | Throttle unloader | ST128407AV | 1 | | | | |
| 27 | Throttle control | CV006412AV | 1 | | | | |
| 28 | 5/16" - 18 x 1.625" Screw | ST070625AV | 4 | | | | |
| 29 | Washer | ST011200AV | 8 | | | | |
| 30 | Locknut | AL014000AV | 4 | | | | |

Pour Pièces de Rechange, appeler 1-800-543-6400

S'il vous plaît fournir l'information suivant:

- Numéro du modèle
- Numéro de série (si applicable)
- Description de la pièce et son numéro sur la liste de pièces

Correspondance concernant les pièces :

Parts Department
100 Production Drive
Harrison, OH 45030 U.S.A.

| N° de Réf. | Description | Numéro De Pièce | Qté | N° de Réf. | Description | Numéro De Pièce | Qté |
|------------|---|-----------------|-----|------------|----------------------------------|-----------------|-----|
| 1 | Réservoir d'air | AR055200CG | 1 | 31 | Tube | WL021404AV | 1 |
| 2 | Poignée de manche | ST160003AV | 2 | 32 | Vis Torx 1/4 - 20 x 1/2 po | ST071626AV | 1 |
| 3 | Robinet de purge | D-1403 | 1 | 33 | Pompe | VT470000KB | 1 |
| 4 | Pied en caoutchouc | ST162601AV | 2 | 34 | 5/16 po - 12 x 1.25 po Vis | ST073249AV | 4 |
| 5 | Écrou 5/16 po - 18 | ST146001AV | 4 | 35 | Poignée de manche | WL012102AV | 1 |
| 6 | Roue pneumatique 10" (2,54 cm) | WA005600AV | 2 | 36 | Filtre équipé | ST073915AV | 1 |
| 7 | Boulon | ST085600AV | 2 | 37 | Assemblage de compression | ST159001AJ | 1 |
| 8 | Écrou 3/8 po - 16 | ST033500AV | 2 | 38 | Poignée | HL006400AV | 1 |
| 9 | Mamelon | HF002401AV | 1 | 39 | Vis | ST116400AV | 2 |
| 10 | ASME Soupape de sûreté | V-215106AV | 1 | 40 | Poignée | HL006500AV | 2 |
| 11 | Raccord en T | ST183700AV | 1 | 41 | 5/16 po - 14 x 1.5 po Vis | ST178303AV | 2 |
| 12 | Raccord à coude | ST119704AV | 2 | 42 | Bouchon | ST073611AV | 4 |
| 13 | Manomètre, gauche | GA016705AV | 1 | 43 | Pied avant | FA151100JJ | 1 |
| 14 | Régulateur | WL017601AV | 1 | 44 | 1/4 po - 20 x 1.5 po Vis | ST073283AV | 4 |
| 15 | Raccord | HF203300AV | 2 | 45 | Protège-courroie à fil (arrière) | BG218700AV | 1 |
| 16 | Manomètre, droite | GA016709AV | 1 | 46 | Protège-courroie à fil (avant) | BG218800AV | 1 |
| 17 | Tuyau de décharge | VT045300AP | 1 | 47 | Rondelle plate #10 | ST070906AV | 4 |
| 18 | Poulie | PU015400AV | 1 | 48 | Écrou de nylon #10-24 | ST163200AV | 4 |
| 19 | Vis de réglage à tête carrée 1/4 po - 20 x 1/2 po | ST012200AV | 1 | 49 | Vis #10 - 32 x .375 po | ST073278AV | 6 |
| 20 | Volant | PU015900AV | 1 | | | | |
| 21 | Clé 3/16 po | KE000900AV | 1 | | | | |
| 22 | Vis de réglage 3/8 po - 16 x 3/4 po | ST026200AV | 1 | | | | |
| 23 | Courroie | BT023100AV | 1 | | | | |
| 24 | Moteur | NG002502AV | 1 | | | | |
| 25 | Assemblage d'ancre | BG208800AJ | 1 | | | | |
| 26 | Déchargeur d'obturateur | ST128407AV | 1 | | | | |
| 27 | Commande d'obturateur | CV006412AV | 1 | | | | |
| 28 | 5/16 po - 18 x 1.625 po Vis | ST070625AV | 4 | | | | |
| 29 | Rondelle | ST011200AV | 8 | | | | |
| 30 | Contre-écrou | AL014000AV | 4 | | | | |