

Please read and save these instructions. Read carefully before attempting to assemble, install, operate or maintain the product described. Protect yourself and others by observing all safety information. Failure to comply with instructions could result in personal injury and/or property damage! Retain instructions for future reference.



HVLP Spray Gun

Attention: Campbell Hausfeld recommends authorized service facilities perform services not shown in instruction manual

Table Of Contents

- Description 1
- Unpacking 1
- Safety Guidelines 1
- General Safety Information 2
- Setup 2
- Preparation 3
- Operation 4
- Maintenance 5
- Troubleshooting 6
- Replacement Parts 8
- Warranty 10

Description

High volume, low pressure (HVLP) paint sprayers are designed to deliver a fine finish with low overspray. The sprayer can be used to apply various acrylics, stains, sealers, lacquers, latexes, and primers. This unit can be used for painting cabinets, furniture, machinery, equipment, walls and trim work. Sprayers of this type are not recommended for automotive final coat. This portable unit is an ideal alternative to conventional spray guns. The HVLP's high transfer efficiency provides professional results with much less material waste and environmental contamination than other conventional spray painting systems.

Unpacking

When unpacking the sprayer, inspect carefully for any damage that may have occurred during transit. Make sure any loose fittings, bolts, etc., are tightened before putting sprayer into service. Each sprayer has been tested before shipment.

NOTE: The packing nut may need additional adjustment due to the packing material relaxing during shipment.

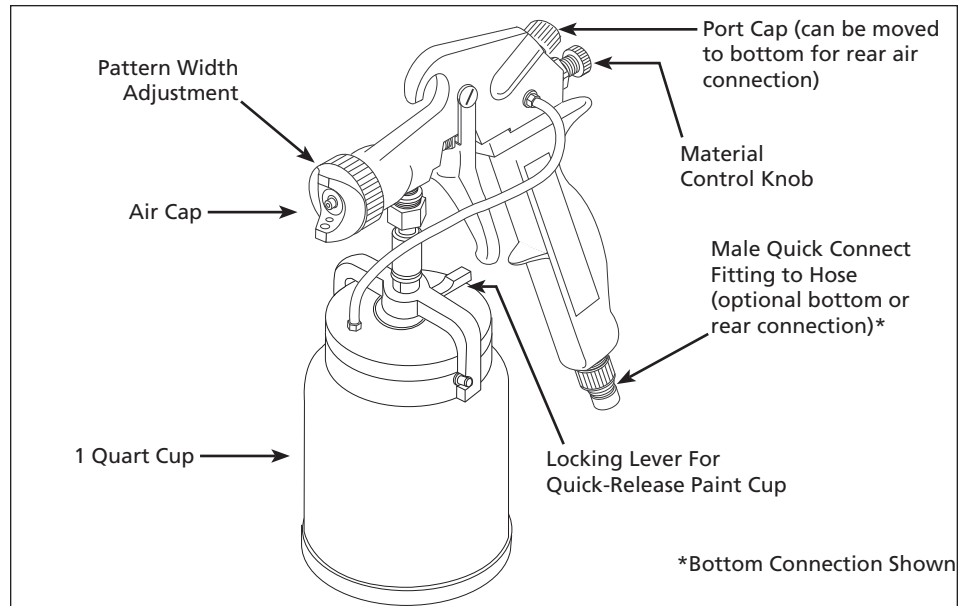


Figure 1 - Features

The fluid used for testing the sprayer has been drained, but some of this fluid will remain in the spray gun. This fluid should be flushed from the spray gun to prevent contamination of the coating material. Use a solvent compatible with the coating to be sprayed.

Safety Guidelines

This manual contains information that is very important to know and understand. This information is provided for SAFETY and to PREVENT EQUIPMENT PROBLEMS. To help recognize this information, observe the following symbols.

⚠ DANGER Danger indicates an imminently hazardous situation which, if not avoided, WILL result in death or serious injury.

⚠ WARNING Warning indicates a potentially hazardous situation which, if not

avoided, **COULD** result in death or serious injury.

⚠ CAUTION Caution indicates a potentially hazardous situation which, if not avoided, **MAY** result in minor or moderate injury.

NOTICE Notice indicates important information, that if not followed, may cause damage to equipment.

NOTE: Information that requires special attention. *The DANGER, WARNING, CAUTION, and NOTICE notifications and instructions in this manual cannot cover all the possible conditions and situations that may occur. It must be understood by the operator that caution is a factor which cannot be built into this product, but must be supplied by the operator.*

**READ & FOLLOW ALL INSTRUCTIONS
SAVE THESE INSTRUCTIONS
DO NOT DISCARD**

**REMINDER: Keep your dated proof of purchase for warranty purposes!
Attach it to this manual or file it for safekeeping.**

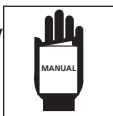
General Safety Information

CALIFORNIA PROPOSITION 65

▲ WARNING *This product or its power cord may contain chemicals, including lead, known to the State of California to cause cancer and birth defects or other reproductive harm. Wash hands after handling.*

GENERAL SAFETY

Read all instructions and safety precautions before operating the unit.



▲ WARNING

Risk of fire or explosion! Solvent and paint fumes can explode or ignite, causing severe injury and property damage.



Do not use to spray HALOGENATED HYDROCARBONS. Paints and solvents containing halogenated hydrocarbons can react explosively with aluminum. Always check the product's label before using these materials in the unit.

Unit is not intended for spraying flammable materials other than lacquer. See specific directions for spraying with lacquer on chart 1.

Make sure the room is well-ventilated.

Avoid all ignition sources, such as static electricity sparks, open flames, hot objects, sparks from connecting and disconnecting power cords, and working light switches.

Follow the material and solvent manufacturers' safety precautions and warnings. Do not use liquids with flash points less than 100° F (38° C).

Do not carry TURBINE while spraying.

Keep the turbine at maximum distance from spraying area.

Static electricity can be produced by HVLP spraying. Make sure any electrically conductive object being sprayed is grounded to prevent static sparking. The sprayer is grounded through the electric cord. If an extension cord is necessary, the cord must be a grounded, 115 volt, three wire type cord.

Hazardous vapors: Paints, solvents, insecticides, and other materials may be harmful if inhaled causing severe nausea, fainting or poisoning.

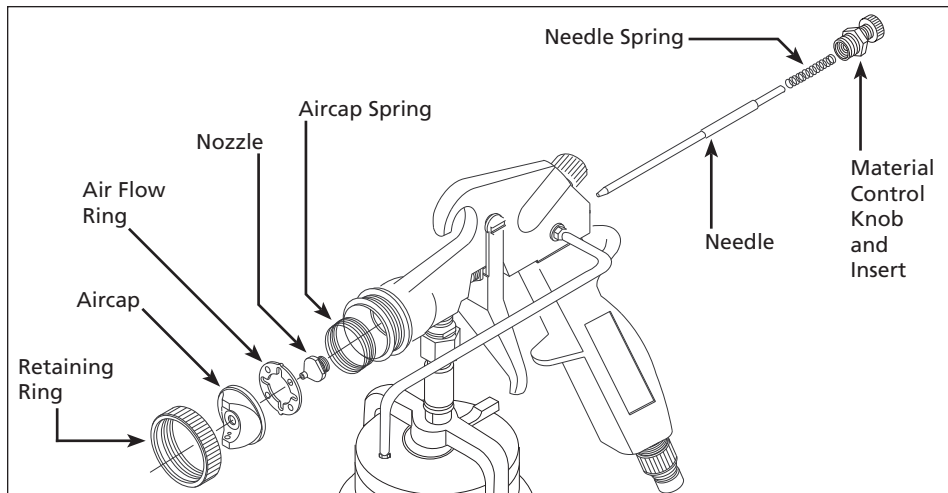


Figure 2 - Needle/Nozzle Installation

Always wear a mask or respirator and eye protection when painting. Be certain mask or respirator will provide necessary protection against inhalation of harmful vapors.



NEVER point spray gun at any part of the body or at anyone else.

▲ CAUTION

Tipping gun may cause clogs. Dried spray material also clogs pressure delivery tube and fittings. The spray gun will not function when clogged.

When not in use, be sure to disconnect hose and place gun on a solid, level surface to avoid tipping.

Components

(1) Gun - fully assembled, with 1.00mm "all purpose" needle/nozzle installed
Accessories located in paint cup, or in storage compartment of turbine:

- (1) Viscosity stick
- (1) Cleaning brush
- (1) Gun wrench

Setup

NEEDLE AND NOZZLE ASSEMBLY

IMPORTANT: The needle and nozzle are a matched assembly. It is very important that both the needle and nozzle are correctly selected and installed. The needle/nozzle kits are identified by a number inscribed on each component. Make sure the numbers on the nozzle and the needle match. Failure to match these two components will result in poor finish quality.

1. Remove retaining ring, aircap, air flow ring, aircap spring, nozzle, material control knob, needle spring, and needle assembly (Fig. 2).
2. Install appropriate needle/nozzle assembly selected for material to be sprayed.
3. Reassemble needle assembly, needle spring, material control knob, nozzle, air flow ring, aircap spring, aircap, and retainer ring.

NOTICE *The four raised bumps on the air flow ring must be facing forward when assembled.*

AIR CONTROL VALVE ATTACHMENT (FIGURE 3)

1. Remove female quick connect fitting from hose.
2. Screw female quick connect onto air control valve (included).
3. Screw air control valve onto hose.
4. Attach gun to hose at quick connect fitting.

NOTICE *The female quick-connect fitting outer sleeve is spring loaded and must be pulled back to be attached or removed from the gun (Fig. 2).*

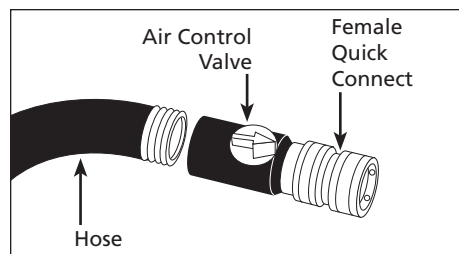


Figure 3 - Air Control Valve

Setup (Continued)

AIR HOSE ATTACHMENT

Air hose may be attached to gun at the handle bottom or rear (described in Figure 1).

For rear connection, unscrew port plug from back and screw in male quick connect fitting (Fig. 4a). Place port plug on bottom of handle.

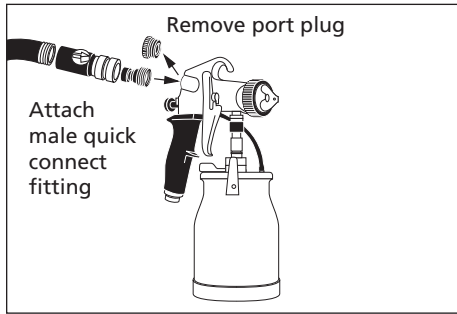


Figure 4a - Attaching Air Hose - Rear Connection

For bottom connection, remove port plug from bottom and screw on male quick connect fitting (Fig. 4b). Screw port plug into rear handle opening.

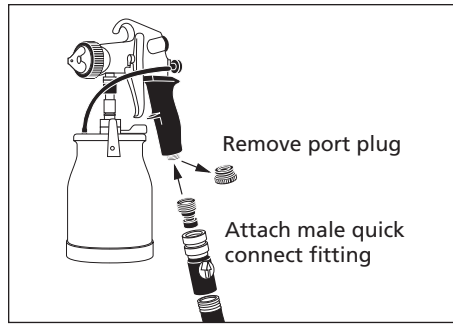


Figure 4b - Attaching Air Hose - Bottom Connection

ADJUSTING PACKING

Occasionally the packing nut, located in front of the trigger assembly, will require adjustment. The packing nut also requires adjustment when needle/nozzle assembly is changed.

1. Turn material control knob clockwise at least 3/4 of the way in.
2. Use wrench to tighten packing nut. Turn clockwise until the needle will not return to the closed position when trigger is released. Do not overtighten packing nut.
3. Loosen packing nut (approx. 1/4 turn) until needle returns freely to the closed position.

Preparation

PREPARING TO SPRAY

Some coating manufacturers do not recommend thinning their materials. In general, these instructions apply only when a brush or roller is used. Thinning may be necessary if materials are to be sprayed. Check with paint supplier for specific details when purchasing spray material.

Be sure to stir material thoroughly after adding a thinning agent and before checking the viscosity. Failure to properly mix material results in a poor finish.

NOTICE: Some latex finishes are very thick and require a great amount of thinning and mixing. Add a latex paint conditioner (available at most home centers) to the paint to improve spray performance.

1. Strain paint before spraying. Unstrained paint may affect material flow and spray pattern. When spraying thin materials such as lacquer or stains, consult with material supplier for proper strainer mesh number.
2. Pour material into paint cup. Fill cup only 1/2 to 3/4 full if thinning is required. (See Figure 5). Refer to Chart 1 for proper thinning instructions.

NOTICE Follow material manufacturer's recommendation for proper thinning agent.

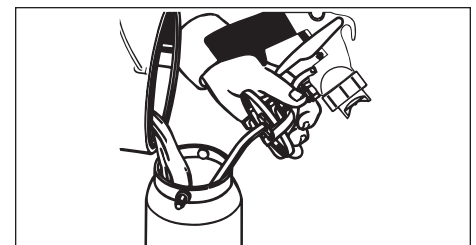


Figure 5 - Filling Paint Cup

Material Thinning Chart

MATERIAL	PERCENT REDUCED	VISCOSITY IN SECONDS
Lacquers *	25% - 50%	15 - 22 seconds
Sanding Sealer	20% - 30%	15 - 22 seconds
Enamels	20% - 40%	16 - 22 seconds
Stains (oil or water)	Use from can	15 seconds
Acrylic Enamel	50% - 60%	15 - 17 seconds
Catalyzed Polyurethane	10% - 30%	15 - 18 seconds
Polyurethanes, Varnishes	20% - 30%	16 - 22 seconds
Waterborne Coatings	0% - 10%	24 - 35 seconds

* Special note on lacquers and other oil based coating

When mixing or thinning:

Eliminate potential sources of fire.

- Turn off the HVLP sprayer, all other electrical appliances, spark or flame sources
- Follow lacquer and thinner manufacturer directions very carefully

Minimize vapors in the spray area. Eliminate all potential for spilling lacquer or thinner in the spray area.

- Tightly recap all containers immediately after mixing or thinning and store away from the spray area
- Do not operate the HVLP turbine in the presence of open containers or spillage
- Make sure all vapors have dispersed prior to turning the HVLP sprayer on

Chart 1

Preparation (Continued)

- Using the following procedure, check viscosity of spray material before locking gun onto the paint cup (Figure 6).

NOTICE *The viscosity stick is located in storage compartment.*



Figure 6 - Viscosity Stick

- Dip viscosity stick into material. Remove stick from cup. Wait until the material stream becomes drips.
 - Estimate the time interval between the first three drips. The time will vary depending on the thickness (viscosity) of the material.
 - The material is adequately thinned if time interval is about one second.
 - As a general rule, if the time between drips is more than one second, the material is too thick. Add thinning agent, stir thoroughly and check again for proper viscosity.
- To tighten and lock the cup, place retainer arms securely around retaining pins on the paint cup.
 - Move locking lever clockwise to locked position. (See Figure 7).

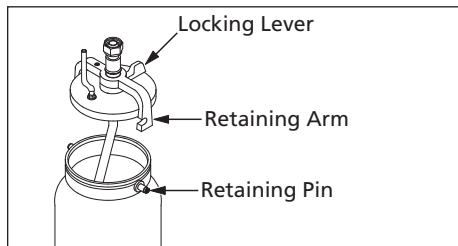


Figure 7 - Locking the cup

- Attach air hose to gun at quick connect fitting.

Operation

Always use a practice surface, such as cardboard, to make test strokes and to adjust spray pattern and material flow.

- Keep gun parallel and 4 - 9 inches from surface of object being sprayed. (See Figure 8). If the material delivery is adjusted for a small narrow pattern, it may be necessary to move closer to the work surface.

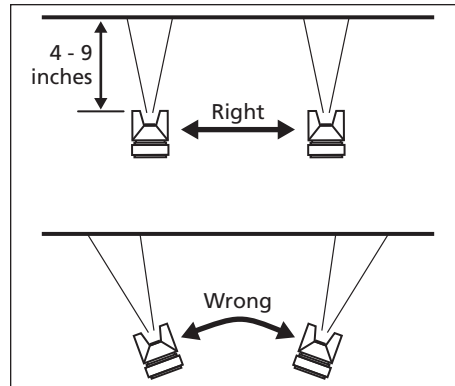


Figure 8 - Painting strokes

- Move gun in a smooth even stroke. Begin stroke before pulling trigger and continue the stroke after releasing trigger.
- For best results overlap each stroke by 25 to 50%.
- To adjust spray pattern, rotate air cap to desired pattern position (See Figure 9).

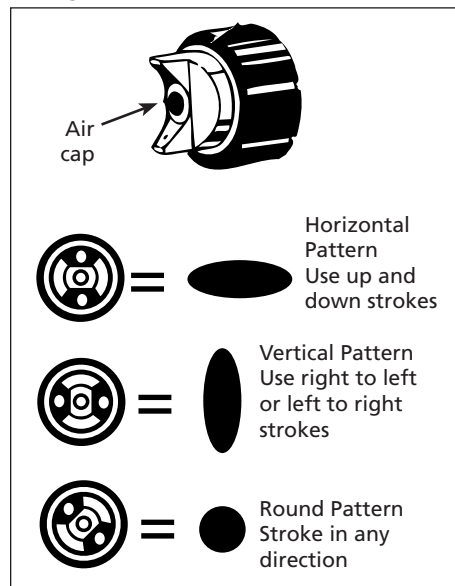


Figure 9 - Adjusting spray pattern

- To adjust material flow, turn material control knob clockwise to decrease and counterclockwise to increase (See Figure 10).

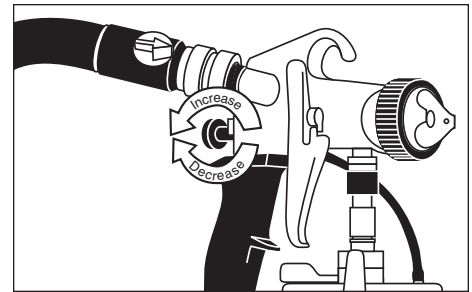


Figure 10 - Adjusting Material Flow

- For fine pattern adjustment, turn air flow control knob clockwise to decrease and counterclockwise to increase air flow (See Figure 11).

NOTE: Reducing air flow will reduce overspray.

NOTICE *Air from the turbine can be used to blow dry areas too heavily coated or slow in drying.*

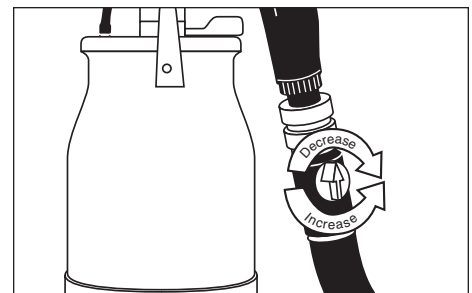


Figure 11 - Adjusting Air Flow

Air from the turbine is warm as a result of normal operation. Finish quality can be affected on hot, dry days due to premature drying of some coatings such as lacquer. Add retarding agents to the materials to avoid premature drying. Consult material supplier for proper retarding agent and mixing procedures.

SPRAYING WITH LACQUER

WARNING *Lacquer is a flammable material.*

Special handling precautions must be observed when spraying lacquer.

- When spraying, keep vapors away from the turbine.
- Use in highly ventilated area. Open all windows and doors. Use fans to increase airflow.
- Place the HVLP turbine at it's maximum distance from the spray area.
- Do not spray in the direction of the HVLP turbine.
- Do not spray onto hot surfaces.
- Do not spray toward electrical spark or charge.

Maintenance

CLEANING

(Refer to Figure 2 for part illustrations)

WARNING *Make sure working area is well ventilated when using solvents. Dispose of all materials properly in accordance with all local regulations.*

1. Remove and set aside the material control knob, spring and needle. (Pull trigger to help remove the needle).

NOTICE *Remove needle before removing nozzle to prevent needle damage.*

2. Unscrew and remove retaining ring, air cap, air flow ring, and aircap spring. Use supplied wrench to remove nozzle. The aircap spring may not require cleaning.

3. Place retaining ring, air cap, air flow ring and the paint cup in a bucket or other suitable container. Soak in an appropriate solvent, or in soap and water if latex was used. To clean the gun, pour solvent through material tube until the solution clears (See Figure 12).

WARNING *Never spray undiluted solvent through gun.*

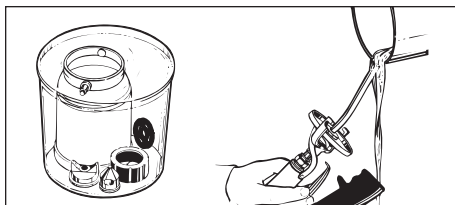


Figure 12 - Cleaning Spray Gun Parts

4. Use cleaning brush (saturated with solvent) to clean material tube and nozzle (See Figure 13).

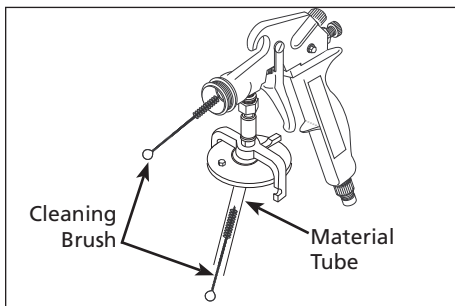


Figure 13 - Cleaning The Material Tube

- 5. Repeat cleaning procedure from the nozzle end of the gun.
- 6. When the gun and all parts are thoroughly cleaned, use turbine hose to dry the parts and blow fluid passages dry. Thorough drying before reassembly prevents coating contamination during the next operation of the unit and inhibits oxidation of internal gun components.
- 7. Reinstall the components in reverse order of disassembly. Always install nozzle before installing the needle to prevent needle damage.

NOTICE *The four raised knobs on the air flow ring must be facing forward when assembled.*

Troubleshooting Chart

Symptom	Possible Cause(s)	Corrective Action
No material flow	<ol style="list-style-type: none"> 1. Clogged nozzle/air cap 2. Clogged cup pressure tube or fittings 3. Clogged gun 4. Clogged material tube* 5. Cup seal leaking 6. Material not properly mixed or improperly filtered 	<ol style="list-style-type: none"> 1. Disassemble and clean 2. Disassemble and clean (a straight pin can be used to clean fittings) 3. Disassemble and clean 4. Disassemble and clean gun and check valve 5. Inspect cup seal, cup cap and clean or replace as necessary 6. Strain paint
Slow material flow	<ol style="list-style-type: none"> 1. Material too thick 2. Improper material adjustment 3. Wrong needle/nozzle 4. Air filter clogged 5. Material not properly mixed or improperly filtered 6. Material too cold 	<ol style="list-style-type: none"> 1. Clean material tube, gun and fittings then thin the material 2. Adjust material control knob 3. Refer to material application chart for correct needle/nozzle 4. Remove and replace air filter 5. Strain paint 6. Raise material temp. to 60°F (15°C)
Material leak	<ol style="list-style-type: none"> 1. Cup or gun damaged 2. Loose packing 3. Worn or damaged packing 4. Worn or damaged cup seal 5. Loose cup fittings 6. Loose nozzle 7. Wrong needle/nozzle assembly 8. Damaged needle 9. Loose material control knob 10. Cup seal leaking 	<ol style="list-style-type: none"> 1. Check cup gun and replace damaged parts 2. Adjust packing nut 3. Remove and replace 4. Remove and replace 5. Tighten 6. Tighten 7. Refer to material application chart for correct needle/nozzle 8. Replace 9. Properly adjust by turning clockwise 10. Clean and dry before use
Spray will not shut off	<ol style="list-style-type: none"> 1. Dirty needle 2. Packing too tight 3. Loose material control knob 	<ol style="list-style-type: none"> 1. Clean or replace needle 2. Adjust packing nut 3. Tighten
Pulsating spray	<ol style="list-style-type: none"> 1. Cup seal or check valve leaking 2. Packing improperly adjusted 3. Loose fittings on cup or gun 4. Loose retaining ring 5. Loose nozzle 6. Damaged air flow ring 7. Material not properly mixed or improperly filtered 	<ol style="list-style-type: none"> 1. Disassemble and clean 2. Adjust packing nut or replace packing 3. Tighten 4. Tighten 5. Tighten 6. Replace 7. Strain paint
Excessive overspray	<ol style="list-style-type: none"> 1. Material too thin 2. Excessive air flow 3. Wrong needle/nozzle 4. Gun too far from work surface 5. Spray blown by wind 6. Excessive material flow 7. Material not properly mixed or improperly filtered 	<ol style="list-style-type: none"> 1. Check material viscosity (add non-thinned material) 2. Adjust air flow 3. Wrong needle/nozzle assembly 4. Move gun closer to surface 5. Shelter area 6. Adjust material flow control knob 7. Strain paint

Troubleshooting Chart (Continued)

Symptom	Possible Cause(s)	Corrective Action
Spray not uniform (spitting)	<ol style="list-style-type: none"> 1. Material too thick 2. Wrong needle/nozzle assembly 3. Cup seal leaking 4. Loose packing 5. Material not properly mixed or improperly filtered 	<ol style="list-style-type: none"> 1. Check material viscosity (Thin per instructions) 2. Change to proper needle/nozzle 3. Tighten cup, replace seal or check valve 4. Adjust or replace packing 5. Strain paint
Poor pattern	<ol style="list-style-type: none"> 1. Material buildup on nozzle or air cap 2. Worn needle/nozzle 3. Clogged air cap 4. Material not properly mixed or improperly filtered 	<ol style="list-style-type: none"> 1. Clean nozzle and air cap 2. Replace 3. Clean 4. Strain paint
Overheating	Clogged filter	Replace
Poor air flow	<ol style="list-style-type: none"> 1. Clogged filter 2. Air flow control improperly adjusted 	<ol style="list-style-type: none"> 1. Replace filter 2. Adjust air flow control
Spray tip clogs	<ol style="list-style-type: none"> 1. Improper material flow adjustment 2. Cup seal leaking 3. Wrong needle/nozzle 	<ol style="list-style-type: none"> 1. Adjust material control 2. Replace cup seal 3. Change to proper needle/nozzle

Troubleshooting Chart - Finish Quality

Symptom	Possible Cause(s)	Corrective Action
Orange Peel (Rough rolling appearance similar to an actual orange peeling)	<ol style="list-style-type: none"> 1. Material drying too fast 2. Gun too far from surface 3. Material too thick 	<ol style="list-style-type: none"> 1. Use a slower solvent or add a retarding agent 2. Move gun closer to surface 3. Thin material per thinning instructions
Runs and sags	<ol style="list-style-type: none"> 1. Material too thin 2. Moving gun too slow 3. Excessive material flow 4. Gun too close to surface 	<ol style="list-style-type: none"> 1. Add material to increase thickness 2. Move gun more quickly 3. Turn material control knob clockwise to reduce flow 4. Move gun further from surface
Pin-holing and solvent pops	<ol style="list-style-type: none"> 1. Trapped solvents 2. Pigment settling 3. System contamination 	<ol style="list-style-type: none"> 1. Apply material in lighter coats allowing solvents time to evaporate 2. Possible bad material 3. Thoroughly clean all parts
Fish eye	Possible silicone contamination	Use solvent to clean all parts and work surfaces
Blistering	<ol style="list-style-type: none"> 1. Moisture in/on surface 2. Incompatible top coats or under-coats 	<ol style="list-style-type: none"> 1. Dry surface 2. Make sure coatings are compatible
Lumpy, coarse surface	Dirt on surface	Thoroughly clean surface
Mottled surface finish	<ol style="list-style-type: none"> 1. Too much thinner 2. Poor spray technique 	<ol style="list-style-type: none"> 1. Reduce thinner 2. Refer to "Operation" for spraying instructions

NOTICE

- Weather conditions can cause unsatisfactory results when spraying some coatings.
- High humidity prolongs set, and cure times.
- High temperatures decrease set, and cure times.
- Cold temperatures extend set, and cure times.
- Variations in temperature, and humidity can cause variations in finish quality.
- Coating manufacturers can recommend additives to resolve some of these problems, and should be contacted for assistance with particular problem resolutions.

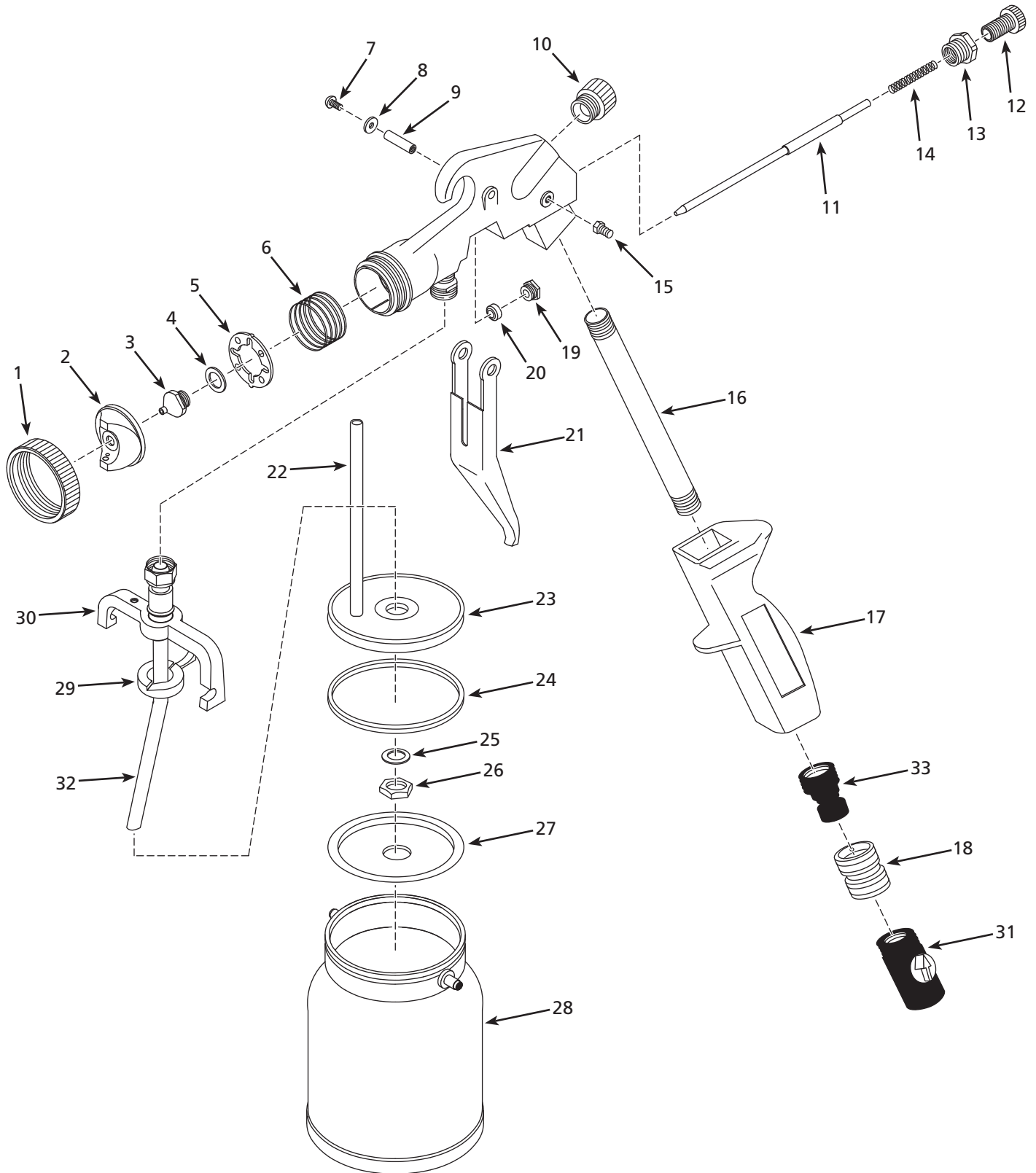
For Replacement Parts, Call 1-800-626-4401

Please provide following information:

- Model number
- Serial number (if any)
- Part description and number as shown in parts list

Address parts correspondence to:

Campbell Hausfeld
Attn: Parts Department
100 Production Drive
Harrison, OH 45030 U.S.A.



Replacement Parts

Ref. No.	Description	Part Number	Qty.
1	Retaining Ring	HV104504AV	1
2	Aircap	HV104505AV	1
3	1.00 mm Nozzle	▶	1
4	Nozzle Gasket	HV104524AV	1
5	Air Flow Ring	HV104511AV	1
6	Aircap Spring	HV104512AV	1
7	Screw	■	2
8	Trigger Washer	■	2
9	Trigger Pin	■	1
10	Port Plug	HV104000AV	1
11	1.00 mm Needle	▶	1
12	Material Adjustment Knob	HV104502AV	1
13	Adjuster Insert	HV104503AV	1
14	Needle Spring	HV104513AV	1
15	Pressure Tube Fitting	HV004700AV	2
16	Handle Tube	HV104501AV	1
17	Handle	HV103800AV	1
18	Female Quick Connect Fitting	HV002200AV	1
19	Packing Nut	HV104515AV	1
20	Packing	HV104514AV	1
21	Trigger	HV104507AV	1
22	Pressure Tube	HV006201AV ▲	1
23	Canister Lid	DH962100AV ▲	1
24	Canister Seal	SK206401SJ ▲	3
25	Nylon Washer	ST077903AV ▲	1
26	Canister Nut	DH077800AV ▲	1
27	Check Valve	HV004400AV ▲	1
28	Canister	DH077900AV ▲	1
29	Lever	DH962400AV ▲	1
30	Yoke Assembly	DH077400AV ▲	1
31	Air Control Valve	HV011301SV	1
32	Material Tube Assembly	DH077300AV ▲	1
33	Male Quick Connect Fitting	HV103900AV	1
34	Wrench (not shown)	HV104525AV	1

REPLACEMENT KITS

▲	Canister Assembly	SK205800AJ
●	0.75 mm Needle/Nozzle Set	HV104520SV
■	Trigger Pin Kit	HV104526AJ
▶	1.00 mm Needle/Nozzle Set	HV104521SV

REGISTER YOUR PRODUCT ONLINE NOW!

<http://www.campbellhausfeld.com>

Limited Warranty

1. **DURATION:** From the date of purchase by the original purchaser as follows: one (1) year.
2. **WHO GIVES THIS WARRANTY (WARRANTOR):** Campbell Hausfeld/Scott Fetzer Company, 100 Production Drive, Harrison, Ohio, 45030, Telephone: 1-800-626-4401.
3. **WHO RECEIVES THIS WARRANTY (PURCHASER):** The original purchaser (other than for purposes of resale or rental) of the Campbell Hausfeld Product.
4. **WHAT PRODUCTS ARE COVERED BY THIS WARRANTY:** This Campbell Hausfeld HVLP Spray Gun.
5. **WHAT IS COVERED UNDER THIS WARRANTY:** Defects in material and workmanship which occur within the duration of the warranty period. Warrantor will also cover normal wear items for a period of thirty days from the date of original purchase against defects in material and workmanship. These wear items are: HVLP-filters, motor brushes, gun packing, gun canister seal, gun check valve and gun air flow ring; Airless-inlet valve, outlet valve, gun valve, filters, tips, all seals and o-rings.
6. **WHAT IS NOT COVERED UNDER THIS WARRANTY:**
 - A. Implied warranties, including those of merchantability and FITNESS FOR A PARTICULAR PURPOSE ARE LIMITED FROM THE DATE OF ORIGINAL PURCHASE AS STATED IN THE DURATION. If standard duty product is used for commercial or industrial purposes, the warranty will apply for ninety (90) days from the date of original purchase. If product is used for rental purposes, the warranty will apply for ninety (90) days from the date of original purchase. Some states do not allow limitation on how long an implied warranty lasts, so the above limitations may not apply to you.
 - B. ANY INCIDENTAL, INDIRECT, OR CONSEQUENTIAL LOSS, DAMAGE, OR EXPENSE THAT MAY RESULT FROM ANY DEFECT, FAILURE, OR MALFUNCTION OF THE CAMPBELL HAUSFELD PRODUCT. Some states do not allow the exclusion or limitation of incidental or consequential damages, so the above limitation or exclusion may not apply to you.
 - C. Any failure that results from an accident, purchaser's abuse, neglect or failure to operate products in accordance with instructions provided in the owner's manual(s) supplied with product. Accident, purchaser's abuse, neglect or failure to operate products in accordance with instructions shall also include the removal or alteration of any safety devices. If such safety devices are removed or altered, this warranty is void.
 - D. Normal adjustments which are explained in the owner's manual(s) provided with the product.
 - E. Items or services that are normally required to maintain the product: HVLP-filters, motor brushes, gun packing, gun canister seal, gun check valve and gun air flow ring; Airless-inlet valve, outlet valve, gun valve, filters, tips, all seals and o-rings., or any other expendable part not specifically listed, will only be covered for thirty days from date of original purchase.
7. **RESPONSIBILITIES OF WARRANTOR UNDER THIS WARRANTY:** Repair or replace, at Warrantor's option, products or components which are defective, have malfunctioned and/or failed to conform within duration of the warranty period.
8. **RESPONSIBILITIES OF PURCHASER UNDER THIS WARRANTY:**
 - A. Provide dated proof of purchase and maintenance records.
 - B. Call Campbell Hausfeld (800-626-4401) to obtain your warranty service options. Freight costs, if any, must be borne by the purchaser.
 - C. Use reasonable care in the operation and maintenance of the products as described in the owner's manual(s).
9. **WHEN WARRANTOR WILL PERFORM REPAIR OR REPLACEMENT UNDER THIS WARRANTY:**
 - A. Repair or replacement will be scheduled and serviced according to the normal work flow at the servicing location, and depending on the availability of replacement parts.
 - B. If the purchaser does not receive satisfactory results from the Authorized Service Center, the purchaser should contact Campbell Hausfeld (see paragraph 2)

This Limited Warranty applies in the U.S. and Canada only and gives you specific legal rights. You may also have other rights which vary from state to state, or country to country.

S'il vous plaît lire et conserver ces instructions. Lire attentivement avant de monter, installer, utiliser ou de procéder à l'entretien du produit décrit. Se protéger ainsi que les autres en observant toutes les instructions de sécurité, sinon, il y a risque de blessure et/ou dégâts matériels! Conserver ces instructions comme référence.



Pistolet Vaporisateur HVLP

Attention: Campbell Hausfeld recommande que les centres de service autorisés se chargent des services non-indiqués dans ce manuel.

Table des Matières

Description	Fr 11
Déballage	Fr 11
Directives de Sécurité	Fr 11
Généralités Sur la Sécurité	Fr 12
Montage	Fr 12
Préparation	Fr 13
Fonctionnement	Fr 14
Entretien	Fr 15
Guide de Dépannage	Fr 16
Pièces de Rechange	Fr 18
Garantie	Fr 20

Description

Les pistolets vaporisateurs haut volume, basse pression (HVLP) sont conçus pour livrer un fini fin avec peu de surpulvérisation. Le pistolet peut être utilisé pour l'application de plusieurs types d'acryliques, de teintures, de bouche-pores, de laques, de latex et d'apprêts. Ce modèle peut être utilisé pour peindre les armoires, les meubles, la machinerie, l'équipement, les murs et les moulures. Ce type de pistolet n'est pas recommandé pour les couches finales d'automobiles. Ce modèle portatif est un alternatif idéal aux pistolets pulvérisateurs traditionnels. L'efficacité de transfert supérieure du HVLP fournit des résultats professionnels avec beaucoup moins de gaspillage et de contamination de l'environnement que les autres systèmes de pulvérisation de peinture traditionnels.

Déballage

Lors du déballage, l'examiner soigneusement pour rechercher toute trace de dommage susceptible de s'être produit en cours de transport. Serrer tous raccords, boulons, etc., avant d'utiliser le modèle. Chaque pistolet a été mis à l'essai avant l'expédition.

REMARQUE: Il peut être nécessaire de régler le boulon de presse-étoupe si le matériel d'emballage s'est desserré pendant l'expédition.

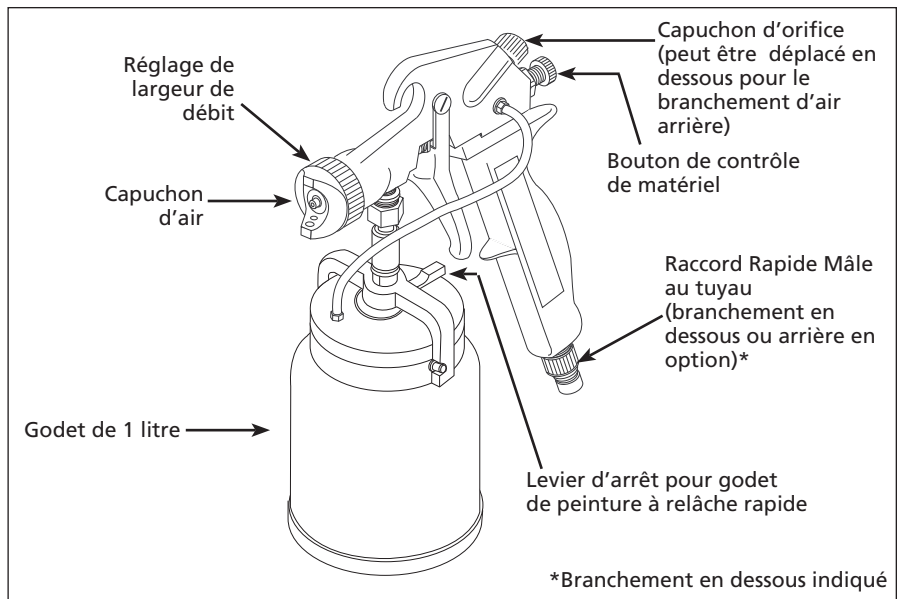


Figure 1 - Caractéristiques

Le fluide utilisé pour la mise à l'essai des pistolets a été purgé, mais un peu de fluide restera dans le pistolet vaporisateur. Ce fluide devrait être purgé du pistolet vaporisateur pour empêcher la contamination du matériel d'enrobement. Utiliser un solvant compatible au matériel à être pulvérisé.

Directives de Sécurité

Ce manuel contient de l'information très importante qui est fournie pour la SÉCURITÉ et pour ÉVITER LES PROBLÈMES D'ÉQUIPEMENT. Rechercher les symboles suivants pour cette information.

⚠ DANGER Danger indique une situation hasardeuse imminente qui **RÉSULTERA** en perte de vie ou blessures graves.

⚠ AVERTISSEMENT Avertissement indique une situation hasardeuse potentielle qui **PEUT** résulter en perte de vie ou blessures graves.

⚠ ATTENTION Attention indique une situation hasardeuse potentielle qui **PEUT** résulter en blessures.

AVIS Avis indique de l'information importante pour éviter le dommage de l'équipement.

REMARQUE: L'information qui exige une attention spéciale. Les symboles DANGER, AVERTISSEMENT, ATTENTION ET AVIS ainsi que les instructions de ce manuel ne peuvent pas couvrir toutes les conditions et situations qui pourraient se produire. L'opérateur doit comprendre que les précautions sont des facteurs qui ne peuvent pas être inclus dans ce produit, mais doivent être fournis par l'opérateur.

**LIRE ET SUIVRE TOUTES LES INSTRUCTIONS
CONSERVER CES INSTRUCTIONS
NE LES JETEZ PAS**

MÉMENTO: Gardez votre preuve datée d'achat à fin de la garantie!
Joignez-la à ce manuel ou classez-la dans un dossier pour plus de sécurité.

Généralités sur la Sécurité

PROPOSITION 65 DE CALIFORNIE

AVERTISSEMENT *Ce produit ou son cordon peuvent contenir des produits chimiques qui, de l'avis de l'État de Californie, causent le cancer et des anomalies congénitales ou autres problèmes de reproduction. Lavez-vous les mains après la manipulation.*

GÉNÉRALITÉS SUR LA SÉCURITÉ

Lire toutes les instructions et les précautions de sécurité avant de faire fonctionner le modèle.



AVERTISSEMENT

Risque d'incendie ou d'explosion! Les solvants et les vapeurs de peinture peuvent exploser ou s'allumer, causant des blessures graves et des dégâts matériels.



Ne pas utiliser pour pulvériser des Hydrocarbures Halogénés. Les peintures et solvants qui contiennent des hydrocarbures halogénés peuvent réagir avec l'aluminium et exploser. Toujours vérifier l'étiquette du produit avant d'utiliser ces matériaux dans le modèle.

Ce modèle n'est pas conçu pour pulvériser des matériaux inflammables sauf les laques. Voir les directives spéciaux pour la pulvérisation des laques dans le tableau 1.

S'assurer que la salle soit bien ventilée.

Éviter les sources d'allumage telles que les étincelles d'électricité statique, les flammes ouvertes, les objets chauds, les étincelles causés par le branchement et le débranchement de cordons d'alimentation et d'interrupteurs d'éclairage.

Respecter les précautions de sécurité et les avertissements des fabricants de matériel et de solvant. Ne pas utiliser des liquides avec des points d'éclair inférieurs à 38° C (100° F).

Ne pas transporter la TURBINE pendant la pulvérisation.

Garder la turbine à une distance maximum de l'endroit de pulvérisation.

La pulvérisation HVLP peut produire de l'électricité statique. S'assurer que n'importe quel objet que vous voulez peindre, qui est conducteur d'électricité, soit mis à la terre pour éviter les étincelles statiques. Le pistolet vaporisateur est mis à la terre par moyen du cordon d'alimentation. Si l'utilisation d'un cordon prolongateur est nécessaire,

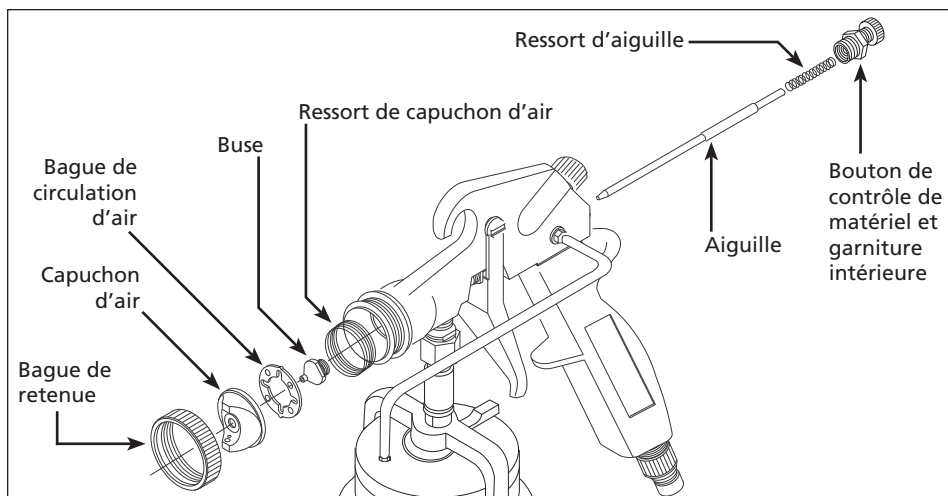


Figure 2 - Montage d'aiguille/buse

utiliser un cordon mis à la terre de 115 V de type trois fils.

Vapeurs hasardeuses: Les peintures, solvants, insecticides et autres matériaux peuvent être dangereux si inhalés causant la nausée sévère, l'évanouissement ou l'empoisonnement.



Toujours utiliser un masque ou un respirateur et de la protection oculaire pendant la peinture. S'assurer qu'un masque ou un respirateur fournira de la protection adéquate contre l'inhalation de vapeurs dangereuses.



NE JAMAIS diriger un pistolet vaporisateur vers n'importe quelle partie du corps, ni vers une autre personne.

ATTENTION

Incliner le pistolet peut causer des obstructions. Le matériel de pulvérisation sec causera aussi des obstructions dans les tuyaux qui livrent la pression et les raccords. Le pistolet vaporisateur ne fonctionnera pas s'il est obstrué.

Lorsque hors d'usage, s'assurer de débrancher le tuyau et placer le pistolet sur une surface solide et nivelée pour éviter le basculement.

Components

(1) Pistolet - monté au complet avec une aiguille / buse 1,00 mm "tout usage" installée

Accessoires situés dans le godet de peinture ou dans le compartiment d'entreposage de la turbine:

- (1) Bâton de viscosité
- (1) Brosse de nettoyage
- (1) Clé de pistolet

Montage

MONTAGE D'AIGUILLE ET DE BUSE

IMPORTANT: Les montages d'aiguille et de buse sont des égaux. Il est très important que l'aiguille et la buse soient bien sélectionnées et installées. Les nécessaires d'aiguille/buse sont identifiés avec des numéros inscrits sur chaque pièce détachée. S'assurer que les numéros sur la buse correspondent aux numéros sur l'aiguille. Manque de faire correspondre ces deux pièces détachées résultera en un fini de pauvre qualité.

1. Enlever la bague de retenue, capuchon d'air, bague de circulation d'air, ressort de capuchon d'air, buse, bouton de contrôle de matériel, ressort d'aiguille et montage d'aiguille (Fig. 2).
2. Installer un montage d'aiguille/buse convenable au matériel pulvérisé.
3. Monter de nouveau le montage d'aiguille, ressort d'aiguille, bouton de contrôle de matériel, buse, bague de circulation d'air, ressort de capuchon d'air, capuchon d'air et bague de retenue.

AVIS

Les quatre bosses surélevés sur la bague de circulation d'air doivent faire face à l'avant lors du montage.

ACCESSOIRE DE SOUPAPE DE CONTRÔLE D'AIR (FIGURE 3)

1. Enlever le raccord rapide femelle du tuyau.
2. Visser le raccord rapide femelle dans la soupape de contrôle d'air (compris).
3. Visser la soupape de contrôle d'air au tuyau.
4. Brancher le pistolet au tuyau à l'endroit du raccord rapide.

Montage (Suite)

AVIS

Le raccord rapide femelle a un manchon extérieur chargé d'un ressort et doit être tiré vers l'arrière pour être fixé et enlevé du pistolet (Fig. 2).

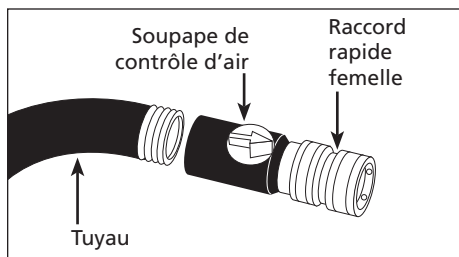


Figure 3 - Soupape de contrôle d'air

ATTACHER LE TUYAU À AIR

Le tuyau à air peut être fixé au pistolet dessous ou en arrière du manche (décrit dans la Figure 1).

Pour le branchement arrière, dévisser le bouchon d'orifice de l'arrière et visser le raccord rapide mâle (Fig. 4a). Placer le bouchon d'orifice dessous le manche.

Pour le branchement inférieur, enlever le bouchon d'orifice inférieur et visser le raccord rapide mâle (Fig. 4b). Visser le bouchon d'orifice dans l'ouverture arrière du manche.

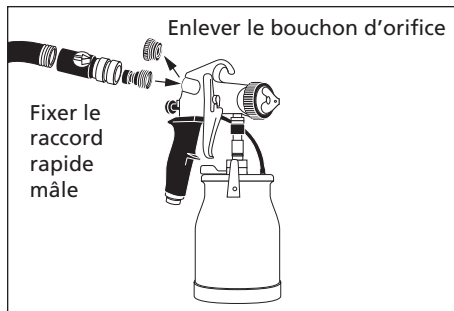


Figure 4a - Attacher le tuyau à air - Branchement arrière

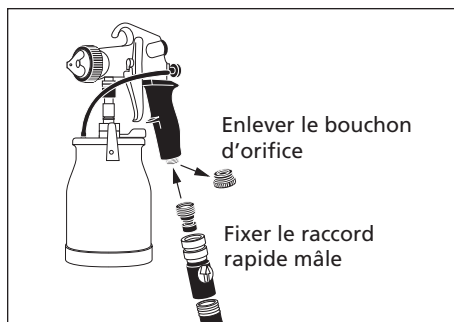


Figure 4b - Attacher le tuyau à air - Branchement inférieur

RÉGLER LE PRESSE-ÉTOUPE

Parfois il sera nécessaire de régler le boulon de presse-étoupe situé devant le montage de gâchette. Le boulon de presse-étoupe devra être réglé aussi lorsque le montage d'aiguille/buse est changé.

1. Tourner le bouton de contrôle de matériel au sens des aiguilles d'une montre 3/4 au complet.
2. Utiliser une clé pour serrer l'écrou de presse-étoupe. Tourner au sens des aiguilles d'une montre jusqu'à ce que l'aiguille ne retourne plus à la position fermée lorsque la gâchette est relâchée. Ne pas trop serrer le boulon de presse-étoupe.
3. Desserrer le boulon de presse-étoupe (environ 1/4 de tour) jusqu'à ce que l'aiguille se retourne librement à la position fermée.

Préparation

SE PRÉPARER À PULVÉRISER

Quelques fabricants ne recommandent pas la dilution des matériaux. En général, ces instructions s'appliquent seulement lorsqu'on utilise une brosse ou un rouleau. La dilution peut être nécessaire si les matériaux seront pulvérisés. Consulter votre fournisseur de peinture pour les détails spécifiques lorsque vous achetez le matériel.

S'assurer de bien mélanger le matériel après avoir ajouté le diluant et avant de vérifier la viscosité. Manque de bien mélanger le matériel résultera en un fini de pauvre qualité.

REMARQUE: Quelques finis de latex sont très épais et nécessiteront de bien diluer et de mélanger. Ajouter un produit pour conditionner le latex (disponible à la plupart des magasins) à la peinture afin d'améliorer la performance de la pulvérisation.

1. Tamiser la peinture avant de pulvériser. La peinture non-tamisée peut affecter le passage du matériel et son débit. Lors de la pulvérisation de matériaux peu épais tels que les laques et les teintures, consulter le fournisseur pour le numéro de mailles correct pour le tamis.

Tableau de Dilution de Matériel

MATÉRIEL	% DE DILUTION	VISCOSITÉ EN SECONDES
Laques*	25% - 50%	15 - 22 secondes
Agent d'étanch. pour ponçage	20% - 30%	15 - 22 secondes
Émaux	20% - 40%	16 - 22 secondes
Teintures (huile ou eau)	Utiliser de la boîte	15 secondes
Émail acrylique	50% - 60%	15 - 17 secondes
Polyuréthane Catalysé	10% - 30%	15 - 18 secondes
Polyuréthanes, Vernis	20% - 30%	16 - 22 secondes
Enduits hydriques	0% - 10%	24 - 35 secondes

*** Remarque Spéciale pour les laques et autres matériaux à base d'huile**

Lorsque vous mélangez ou diluez:

Éliminez les sources potentielles d'incendie.

- TCoupez l'alimentation au pulvérisateur HVLP et tout autres appareils électriques, étincelles ou flammes
- Suivre les directions de dilution du fabricant de laque et diluant avec attention

Minimiser les vapeurs dans l'endroit de pulvérisation. Éliminer tout danger de renverser la laque ou le diluant dans l'endroit de pulvérisation.

- Bien fermer toutes les boîtes immédiatement après le mélange ou la dilution et entreposer à l'écart de l'endroit de pulvérisation
- Ne pas faire fonctionner la turbine HVLP en présence de boîtes ouvertes ou de matériel renversé
- S'assurer que toutes les vapeurs soient dissipées avant de d'alimenter le pulvérisateur HVLP

Tableau 1

Préparation (Suite)

2. Verser le matériel dans le godet de peinture. Remplir seulement au 1/2 à 3/4 plein si la dilution est nécessaire. (Voir Figure 5). Se référer au Tableau 1 pour les instructions de dilution correctes.

AVIS *Respecter les recommandations du fabricant du matériel pour l'agent de dilution correct.*

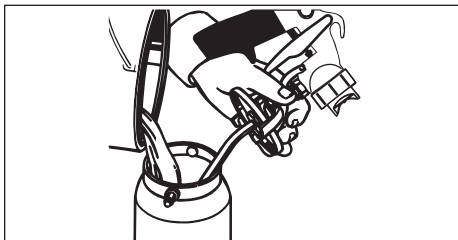


Figure 5 - Remplir le godet de peinture

3. En suivant la procédure suivante, vérifier la viscosité du matériel avant de verrouiller le pistolet sur le godet de peinture (Figure 6).

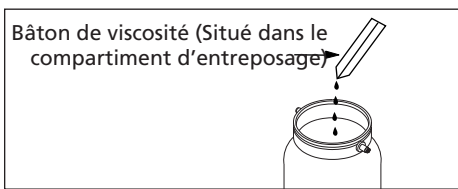


Figure 6 - Bâton de viscosité

AVIS *Le bâton de viscosité est situé dans le compartiment d'entreposage.*

- a. Plonger le bâton de viscosité dans le matériel. Enlever le bâton du godet. Attendez que le jet de matériel coule en gouttes.
 - b. Estimer l'intervalle de temps entre les trois premières gouttes. Le temps se varie selon l'épaisseur (viscosité) du matériel.
 - c. Le matériel est assez dilué si l'intervalle de temps est environ une seconde.
 - d. En général, si l'intervalle de temps entre les gouttes est plus qu'une seconde, le matériel est trop épais. Ajouter du diluant, bien mélanger et vérifier de nouveau pour la viscosité correcte.
4. Pour serrer et verrouiller le godet, placer les bras de retenue fermement autour des goupilles de retenue du godet de peinture.
 5. Déplacer le levier d'arrêt au sens des aiguilles d'une montre à la position verrouillée. (Voir Figure 7).
 6. Fixer le tuyau à air au pistolet à l'endroit du raccord rapide.

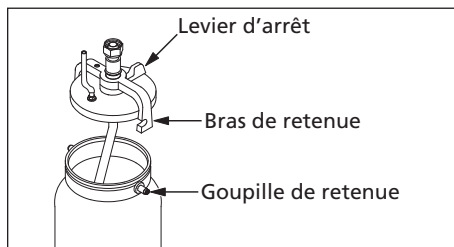


Figure 7 - Verrouiller le godet

Fonctionnement

Toujours utiliser une surface tel qu'un carton afin de pratiquer les coups et de régler la circulation du matériel et le débit.

1. Garder le pistolet parallèle et à 10,16 cm - 22,86 cm de l'objet de travail. (Voir Figure 8). Si le jet de matériel est réglé pour un petit débit étroit, il peut être nécessaire de s'approcher de la surface de travail.

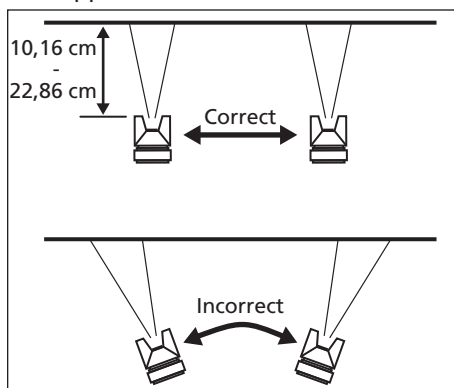


Figure 8 - Coups de peinture

2. Déplacer le pistolet en un coup lisse et égal. Commencer le coup avant de tirer la gâchette et continuer le coup après avoir relâché la gâchette.
3. Pour un meilleur résultat, chevaucher chaque coup par 25 à 50%.
4. Pour régler le débit, tourner le capuchon d'air à la position de débit désirée (Voir Figure 9).
5. Pour régler le débit de matériel, tourner le bouton de contrôle de matériel au sens des aiguilles d'une montre pour diminuer et au sens contraire des aiguilles d'une montre pour augmenter (Voir Figure 10).
6. Pour le réglage fin de débit, tourner le bouton de contrôle de circulation d'air au sens des aiguilles d'une montre pour diminuer et au sens contraire des aiguilles d'une montre pour augmenter le débit d'air (Voir Figure 11).

REMARQUE: Réduire la circulation d'air diminuera la surpulvérisation.

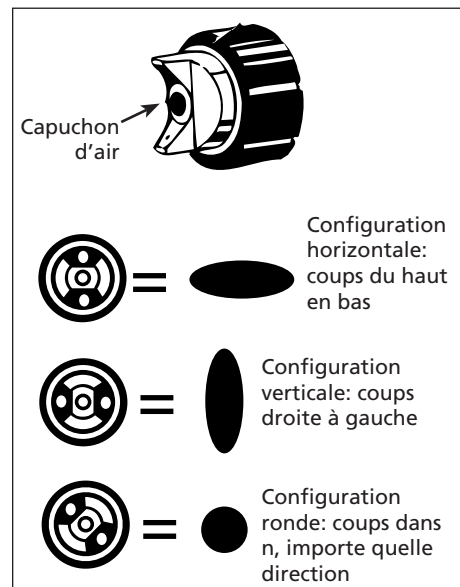


Figure 9 - Régler la config. de pulvérisation

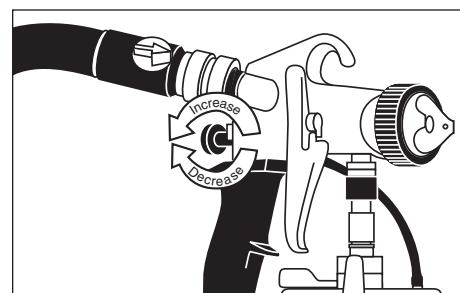


Figure 10 - Régler le débit de matériel

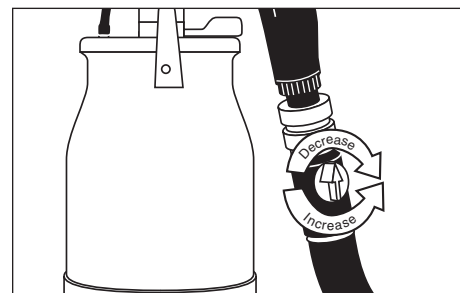


Figure 11 - Régler la circulation d'air

AVIS *L'air de la turbine peut être utilisée pour sécher les endroits qui ont une couche trop épaisse ou qui sèchent lentement.*

Le fonctionnement normal rend l'air de la turbine tiède. La qualité du fini peut être affectée lors des journées sèches et chaudes à cause du séchage trop rapide des finis tels que les laques. Ajouter des ajents pour ralentir le temps de séchage pour éviter le séchage trop rapide. Consulter le fournisseur pour les agents de ralentissage et les procédures de mélange.

Functionnement (Suite)

PULVÉRISER LA LAQUE

⚠ AVERTISSEMENT *La laque est un matériel*

inflammable. Observer des précautions spéciales pendant la pulvérisation de la laque.

- Lors de la pulvérisation, garder les vapeurs à l'écart de la turbine.
- Utiliser dans les endroits bien ventilés. Ouvrir toutes les fenêtres et les portes. Utiliser des ventilateurs pour augmenter la circulation d'air.
- Placer la turbine HVLP à une distance maximale de l'endroit de pulvérisation.
- Ne pas pulvériser dans la direction de la turbine HVLP.
- Ne pas pulvériser sur des surfaces chaudes.
- Ne pas pulvériser vers des étincelles ou des charges électriques.

Entretien

NETTOYAGE

(SE RÉFÉRER À LA FIGURE 2 POUR LES ILLUSTRATIONS DE PIÈCES)

⚠ AVERTISSEMENT *S'assurer que l'endroit de travail*

soit bien ventilé lorsque vous utilisez des solvants. Se disposer de tous matériaux correctement conformément aux règlements locaux.

1. Enlever et mettre de côté tous le bouton de contrôle de matériel, le ressort et l'aiguille. (Tirer la gâchette pour aider à enlever l'aiguille).

AVIS

Enlever l'aiguille avant d'enlever

la buse empêchera d'endommager l'aiguille.

2. Dévisser et enlever la bague de retenue, capuchon d'air, bague de circulation d'air et le ressort de capuchon d'air. Utiliser la clé fournie pour enlever la buse. Le ressort de capuchon d'air peut ne pas avoir besoin d'être nettoyé.
3. Placer la bague de retenue, le capuchon d'air, la bague de circulation d'air et le godet de peinture dans un sceau ou une autre boîte convenable. Tremper dans un solvant convenable ou dans l'eau savonneuse si vous avez utilisé du latex. Pour nettoyer le pistolet, verser le solvant dans le tuyau de matériel jusqu'à ce que la solution se clarifie (Voir Figure 12).

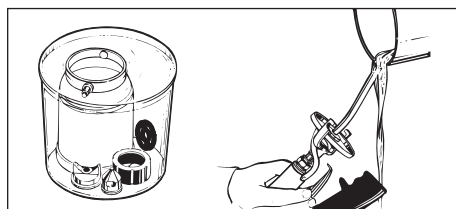


Figure 12 - Nettoyer les pièces détachées du pistolet

⚠ AVERTISSEMENT *Ne jamais pulvériser du solvant non-dilué dans le pistolet.*

4. Utiliser une brosse de nettoyage (saturée de solvant) pour nettoyer le tuyau de matériel et la buse (Voir Figure 13).

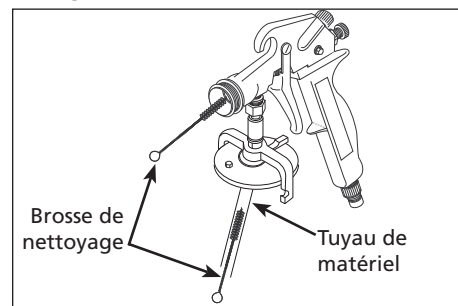


Figure 13 - Nettoyer le tuyau de matériel

5. Répéter la procédure de nettoyage de bout de la buse du pistolet.
6. Lorsque la buse et toutes les pièces détachées soient bien nettoyées, utiliser le tuyau de turbine pour nettoyer les pièces et souffler les passages de fluide jusqu'à ce qu'elles soient sèches. Bien sécher avant de monter de nouveau empêche la contamination de matériel pendant le prochain fonctionnement du modèle et empêche l'oxydation interne des pièces détachées du pistolet.
7. Monter des pièces de nouveau dans l'ordre inverse du démontage. Toujours installer la buse avant d'installer l'aiguille pour empêcher d'endommager l'aiguille.

AVIS

Les quatre boutons

surélevés sur la bague de circulation d'air doivent faire face vers l'avant lors du montage.



Guide de Dépannage

Symptôme	Cause(s) Possible(s)	Mesure Corrective
Pas de débit de matériel	<ol style="list-style-type: none"> 1. Buse/capuchon d'air obstrués 2. Tuyau de pression de godet ou raccords obstrués 3. Pistolet obstrué 4. Tuyau de matériel obstrué 5. Fuite dans le joint étanche du godet 6. Matériel pas bien mélangé ou pas bien tamisé 	<ol style="list-style-type: none"> 1. Démonter et nettoyer 2. Démonter et nettoyer (vous pouvez utiliser une épingle pour nettoyer les raccords) 3. Démonter et nettoyer 4. Démonter et nettoyer le pistolet et vérifier le clapet 5. Inspecter le joint du godet, le capuchon du godet et nettoyer ou remplacer au besoin 6. Tamiser la peinture
Débit de matériel lent	<ol style="list-style-type: none"> 1. Matériel trop épais 2. Réglage de matériel incorrect 3. Aiguille/buse incorrect 4. Filtre à air obstrué 5. Matériel pas bien mélangé ou tamisé 6. Matériel trop froid 	<ol style="list-style-type: none"> 1. Nettoyer le tuyau de matériel, le pistolet et les raccords et ensuite diluer le matériel 2. Régler le bouton de contrôle de matériel 3. Se référer au tableau d'application de matériel pour l'aiguille/buse correct 4. Enlever et remplacer le filtre à air 5. Tamiser la peinture 6. Augmenter la température du matériel à 15°C (60°F)
Fuite de matériel	<ol style="list-style-type: none"> 1. Godet ou pistolet endommagé 2. Presse-étoupe desserré 3. Presse-étoupe usé ou endommagé 4. Joint étanche de godet usé ou endommagé 5. Raccords de godet desserrés 6. Buse desserrée 7. Montage d'aiguille/buse incorrect 8. Aiguille endommagée 9. Bouton de contrôle de matériel desserré 10. Fuites dans le joint du godet 	<ol style="list-style-type: none"> 1. Vérifier le godet du pistolet et remplacer les pièces endommagées 2. Régler l'écrou de presse-étoupe 3. Enlever et remplacer 4. Enlever et remplacer 5. Serrer 6. Serrer 7. Se référer au tableau d'application de matériel pour l'aiguille/buse correct 8. Remplacer 9. Régler correctement en tournant au sens des aiguilles d'une montre 10. Nettoyer et sécher avant l'usage
Le jet ne s'arrête pas	<ol style="list-style-type: none"> 1. Aiguille sale 2. Presse-étoupe trop serré 3. Bouton de contrôle de matériel desserré 	<ol style="list-style-type: none"> 1. Nettoyer ou remplacer l'aiguille 2. Régler le boulon de presse-étoupe 3. Serrer
Jet qui pulse	<ol style="list-style-type: none"> 1. Fuites dans le joint du godet ou le clapet 2. Presse-étoupe mal-ajusté 3. Raccords desserrés sur le godet ou le pistolet 4. Bague de retenue desserrée 5. Buse desserrée 6. Bague de circulation d'air endommagée 7. Matériel pas bien mélangé ou tamisé 	<ol style="list-style-type: none"> 1. Démonter et nettoyer 2. Régler le boulon de presse-étoupe ou remplacer le presse-étoupe 3. Serrer 4. Serrer 5. Serrer 6. Remplacer 7. Tamiser la peinture
Surpulsérisation excessive	<ol style="list-style-type: none"> 1. Matériel trop mince 2. Jet d'air excessif 3. Aiguille/buse incorrect 4. Pistolet trop loin de l'endroit de travail 5. Pulsérisation parti au vent 6. Débit de matériel excessif 7. Matériel pas bien mélangé ou tamisé 	<ol style="list-style-type: none"> 1. Vérifier la viscosité du matériel (ajouter du matériel non-dilué) 2. Régler le débit d'air 3. Montage d'aiguille/buse 4. Déplacer le pistolet plus près de la surface 5. Protéger l'endroit 6. Régler le bouton de contrôle de matériel 7. Tamiser la peinture

Guide de Dépannage (Suite)

Symptôme	Cause(s) Possible(s)	Mesure Corrective
Débit pas uniforme (crachement)	<ol style="list-style-type: none"> 1. Matériel trop épais 2. Montage de buse/aiguille incorrect 3. Fuites dans le joint du godet 4. Presse-étoupe dégagé 5. Matériel pas bien mélangé ou tamis 	<ol style="list-style-type: none"> 1. Vérifier la viscosité du matériel (Diluer selon les instructions) 2. Changer à une aiguille/buse correcte 3. Serrer le godet, remplacer le joint ou le clapet 4. Régler ou remplacer le presse-étoupe 5. Tamiser la peinture
Configuration de pauvre qualité	<ol style="list-style-type: none"> 1. Accumulation de matériel sur la buse ou la capuchon d'air 2. Buse/aiguille usée 3. Capuchon d'air obstrué 4. Matériel pas bien mélangé ou tamis 	<ol style="list-style-type: none"> 1. Nettoyer la buse et le capuchon d'air 2. Remplacer 3. Nettoyer 4. Tamiser la peinture
Surchauffage	Filtre obstrué	Remplacer
Circulation d'air faible	<ol style="list-style-type: none"> 1. Filtre obstrué 2. Contrôle de circulation d'air mal réglé 	<ol style="list-style-type: none"> 1. Remplacer le filtre 2. Régler le contrôle de circulation d'air
Embouts obstrués	<ol style="list-style-type: none"> 1. Réglage de débit de matériel incorrect 2. Fuite dans le joint du godet 3. Buse/aiguille incorrecte 	<ol style="list-style-type: none"> 1. Régler le contrôle de matériel 2. Remplacer le joint du godet 3. Changer à une aiguille/buse correcte

Guide de Dépannage - Qualité de Fini

Symptôme	Cause(s) Possible(s)	Mesure Corrective
Pelure d'orange (Apparence rugueuse comme éplucher une vraie orange)	<ol style="list-style-type: none"> 1. Matériel sèche trop rapidement 2. Pistolet trop loin de la surface 3. Matériel trop épais 	<ol style="list-style-type: none"> 1. Utiliser un solvant plus lent ou ajouter un agent de ralentissage 2. Déplacer le pistolet plus près de la surface 3. Diluer le matériel selon les instructions de dilution
Coule et fléchi	<ol style="list-style-type: none"> 1. Matériel trop mince 2. Déplacement du pistolet trop lent 3. Débit de matériel excessif 4. Pistolet trop près de la surface 	<ol style="list-style-type: none"> 1. Ajouter du matériel pour épaissir 2. Déplacer le pistolet plus rapidement 3. Tourner le bouton de contrôle de matériel au sens des aiguilles d'une montre pour diminuer le débit 4. Déplacer le pistolet plus loin de la surface
Trous d'épingle et bules de solvant	<ol style="list-style-type: none"> 1. Solvants bloqués 2. Pigments se reposent 3. Contamination du système 	<ol style="list-style-type: none"> 1. Appliquer le matériel en couches plus minces afin de permettre au solvant de s'évaporer 2. Possibilité de matériel de pauvre qualité 3. Bien nettoyer les pièces détachées
Grands angles (apparence d'oeil de poisson)	Contamination de silicone possible	Utiliser un solvant pour nettoyer toutes les pièces et les surfaces de travail
Cloquage	<ol style="list-style-type: none"> 1. Humidité dans/sur la surface 2. Couches de fondation ou de finition incompatibles 	<ol style="list-style-type: none"> 1. Sécher la surface 2. S'assurer que toutes les couches soient compatibles
Surface bosselée, rugueuse	Saleté sur la surface	Bien nettoyer la surface
Finis de surface tacheté	<ol style="list-style-type: none"> 1. Trop de diluant 2. Technique de pulvérisation incorrecte 	<ol style="list-style-type: none"> 1. Diminuer le diluant 2. Se référer à la section "fonctionnement" pour les instructions de pulvérisation

AVIS

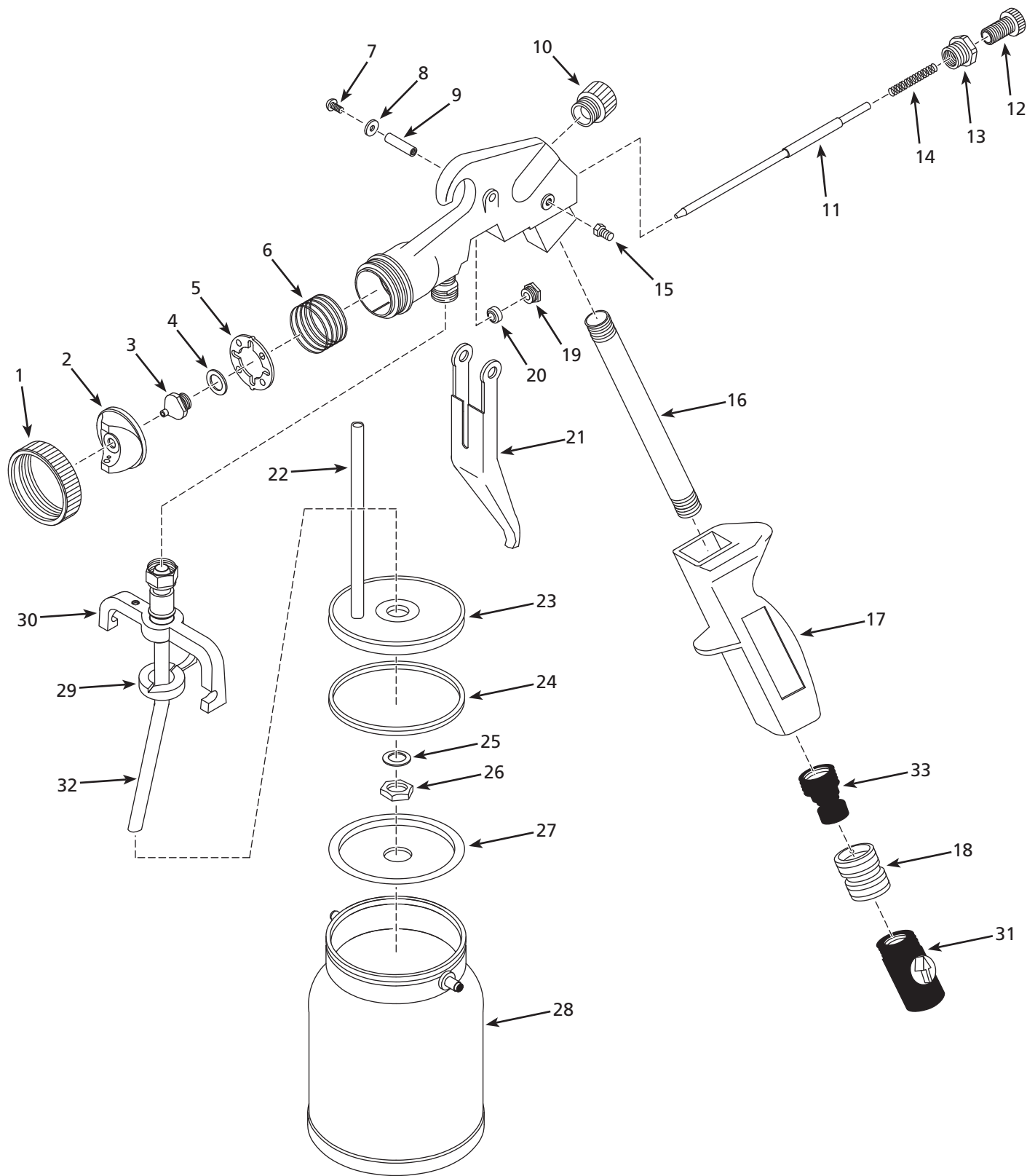
- Les conditions météorologiques peuvent causer des résultats de pauvre qualité lors de la pulvérisation de certains matériaux.
- L'humidité élevée prolonge les temps de séchage.
- Des températures élevées diminuent le temps de séchage et de durcissement.
- Les températures froides prolongent le temps de séchage et de durcissement.
- Des variations dans la température et l'humidité peuvent causer des variations dans la qualité du fini.
- Les fabricants d'enduits peuvent recommander des additifs pour résoudre quelques uns de ces problèmes. Les contacter pour de l'aide à résoudre des problèmes particuliers.

Pour des pièces de rechange, composer 1-800-626-4401

S'il vous plaît fournir l'information suivante:

- Numéro de modèle
- Numéro de série (si applicable)
- Numéro et description de pièce

Correspondance:
Campbell Hausfeld
Attn: Parts Department
100 Production Drive
Harrison, OH 45030 U.S.A.



Pièces de Rechange

N° de Réf.	Description	No. de Pièce	Qté.
1	Bague de retenue	HV104504AV	1
2	Capuchon d'air	HV104505AV	1
3	Jeu buse 1,00 mm	▶	1
4	Joint de buse	HV104524AV	1
5	Bague de circ. d'air	HV104511AV	1
6	Ressort de cap. d'air	HV104512AV	1
7	Vis	■	2
8	Rondelle de gâchette	■	2
9	Goupille de gâchette	■	1
10	Bouchon d'orifice	HV104000AV	1
11	Aiguille 1,00 mm	▶	1
12	Bouton de contrôle de matériel	HV104502AV	1
13	Pièce rapportée de réglage	HV104503AV	1
14	Ressort d'aiguille	HV104513AV	1
15	Raccord de pression de tuyau	HV004700AV	2
16	Tuyau de manche	HV104501AV	1
17	Manche	HV103800AV	1
18	Raccord rapide femelle	HV002200AV	1
19	Boulon de presse-étoupe	HV104515AV	1
20	Presse-étoupe	HV104514AV	1
21	Gâchette	HV104507AV	1
22	Tuyau de pression	HV006201AV ▲	1
23	Couvercle de boîte	DH962100AV ▲	1
24	Joint de boîte	SK206401SJ ▲	3
25	Rondelle en nylon	ST077903AV ▲	1
26	Écrou de boîte	DH077800AV ▲	1
27	Clapet	HV004400AV ▲	1
28	Boîte	DH077900AV ▲	1
29	Levier	DH962400AV ▲	1
30	Montage de chape	DH077400AV ▲	1
31	Soupape de contrôle d'air	HV011301SV	1
32	Montage de tuyau de matériel	DH077300AV ▲	1
33	Raccord rapide mâle	HV103900AV	1
34	Clé (pas indiquée)	HV104525AV	1

NÉCESSAIRES DE PIÈCES DE RECHANGE

▲	Montage de boîte	HV011401AJ
●	Jeu d'aiguille/buse 0,75 mm	A5218/A5206
■	Ensemble de la goupille de la détente	HV104526AJ
▶	Ensemble d'aiguille/buse de 1,00 mm	HV104521SV

ENREGISTREZ VOTRE PRODUIT EN LIGNE MAINTENANT !

<http://www.campbellhausfeld.com>

Garantie Limitée

1. DURÉE: À partir de la date d'achat par l'acheteur original comme suit - Un (1) An.
2. GARANTIE ACCORDÉE PAR (GARANT): Campbell Hausfeld/Scott Fetzer Company, 100 Production Drive, Harrison, Ohio, 45030, Téléphone: (800) 543-6400
3. BÉNÉFICIAIRE DE CETTE GARANTIE (ACHETEUR): L'acheteur original (sauf en cas de revente ou de location) du produit Campbell Hausfeld.
4. PRODUITS COUVERTS PAR CETTE GARANTIE: Cette pistolet vaporisateur HVLP Campbell Hausfeld.
5. COUVERTURE DE LA PRÉSENTE GARANTIE: Défauts de matière et de fabrication qui se révèlent pendant la période de validité de la garantie. Le garant couvert aussi les articles d'usure normal contre les défauts de matière et de fabrication pendant trente jours à partir de la date d'achat. Les articles d'usure normal sont: les filtres HVLP, les balais de moteur, les garnitures de pistolets, le joint de la boîte du pistolet, le clapet du pistolet, et la bague de circulation d'air du pistolet; soupape d'arrivée sans air, soupape de sortie, soupape de pistolet, filtres, buses tous les joints et joints toriques.
6. LA PRÉSENTE GARANTIE NE COUVRE PAS:
 - A. Les garanties implicites, y compris celles de commercialisabilité et D'ADAPTION À UNE FONCTION PARTICULIÈRE SONT LIMITÉES À PARTIR DE LA DATE D'ACHAT INITIALE TELLE QU'INDIQUÉE DANS LA SECTION DURÉE. Si le produit Service Standard est utilisé pour une fonction commerciale ou industrielle, la durée de la garantie sera quatre-vingt-dix (90) jours à compter de la date d'achat. Si le produit est utilisé pour la location, la durée de la garantie sera quatre-vingt-dix jours (90) à compter de la date d'achat. Quelques Provinces (États) n'autorisent pas de limitations de durée pour les garanties implicites. Les limitations précédentes peuvent donc ne pas s'appliquer.
 - B. TOUT DOMMAGE, PERTE OU DÉPENSE FORTUIT OU INDIRECT POUVANT RÉSULTER DE TOUT DÉFAUT, PANNE OU MAUVAIS FONCTIONNEMENT DU PRODUIT CAMPBELL HAUSFELD. Quelques Provinces (États) n'autorisent pas l'exclusion ni la limitation des dommages fortuits ou indirects. La limitation ou exclusion précédente peut donc ne pas s'appliquer.
 - C. Toute panne résultant d'un accident, d'une utilisation abusive, de la négligence ou d'une utilisation ne respectant pas les instructions données dans le(s) manuel(s) accompagnant le produit. Un accident, l'utilisation abusive par l'acheteur, la négligence ou le manque de faire fonctionner les produits selon les instructions comprend aussi l'enlèvement ou la modification de n'importe quel appareil de sûreté. Si ces appareils de sûreté sont enlevés ou modifiés, la garantie sera annulée.
 - D. Réglages normaux qui sont expliqués dans le(s) manuel(s) d'utilisation accompagnant le produit.
 - E. Articles ou services qui sont exigés pour l'entretien du produit; filtres HVLP, balais de moteur, joint de boîte de pistolet, clapet de pistolet et bague de circulation d'air du pistolet; Soupape d'arrivée sans air, soupape de sortie, soupape de pistolet, filtres, buses, tous les joints et les joints toriques, ou n'importe quelle pièce qui n'est pas indispensable et n'est pas spécifiée seront couverts pendant seulement trente (30) jours à partir de la date d'achat original.
7. RESPONSABILITÉS DU GARANT AUX TERMES DE CETTE GARANTIE: Réparation ou remplacement, au choix du Garant, des produits ou pièces qui se sont révélés défectueux, qui se sont tombés en panne et/ou qui n'a pas conformé pendant la durée de validité de la garantie.
8. RESPONSABILITÉS DE L'ACHETEUR AUX TERMES DE CETTE GARANTIE:
 - A. Fournir une preuve d'achat datée et un état d'entretien.
 - B. Appelez Campbell Hausfeld (800-626-4401) pour obtenir vos options de service sous garantie. Les frais de transport sont la responsabilité de l'acheteur.
 - C. Utilisation et entretien du produit avec un soin raisonnable, ainsi que le décrit le(s) manuel(s) d'utilisation.
9. RÉPARATION OU REMPLACEMENT EFFECTUÉ PAR LE GARANT AUX TERMES DE LA PRÉSENTE GARANTIE:
 - A. La réparation ou le remplacement sera prévu et exécuté en fonction de la charge de travail dans le centre de service et dépendra de la disponibilité des pièces de rechange.
 - B. Si l'acheteur n'est pas satisfait des services du Centre De Service Autorisé, l'acheteur devrait contacter Campbell Hausfeld (se référer au paragraphe 2).

Cette Garantie Limitée s'applique aux É.-U. et au Canada et vous confère des droits judiciaires précis. L'acheteur peut également jouir d'autres droits qui varient d'une Province, d'un État ou d'un Pays à l'autre.

Favor ler e guardar essas instruções. Leia cuidadosamente antes de tentar montar, instalar, operar ou FAZER A MANUTENÇÃO no produto descrito abaixo. Proteja a si mesmo e a terceiros observando todas as informações de segurança. A não obediência a essas instruções poderá resultar em lesões pessoais e/ou danos materiais! Guarde estas instruções para referência futura.



Revólver Pulverizador HVLP

Atenção: A Campbell Hausfeld recomenda que os centros de serviços autorizados realizem serviços não descritos neste manual de instrução.

Índice

Descrição	Pt 21
Desembalagem	Pt 21
Normas de Segurança	Pt 21
Informações Gerais de Segurança	Pt 22
Instalação	Pt 22
Preparação	Pt 23
Operação	Pt 24
Manutenção	Pt 25
Resolução de Problemas	Pt 26
Peças de Reposição	Pt 28
Garantia	Pt 30

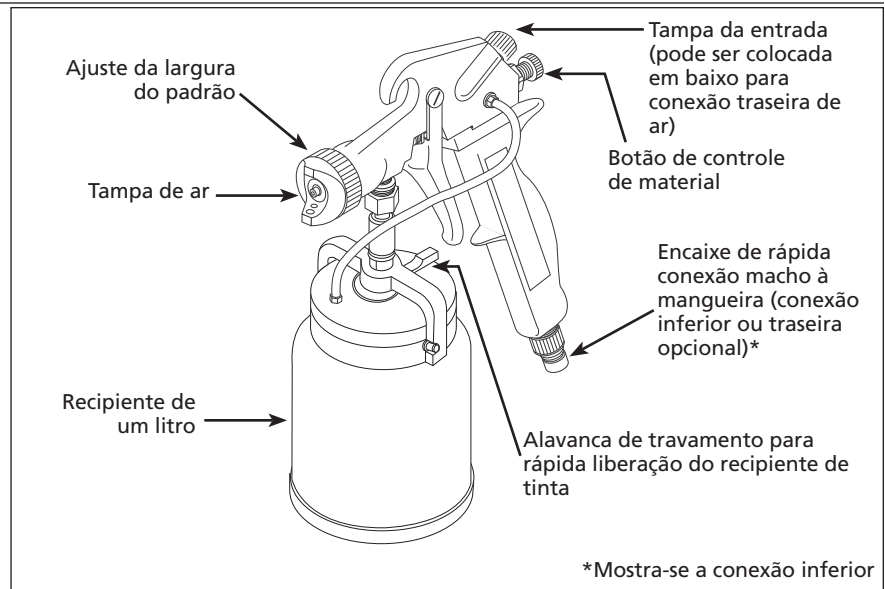
Descrição

Os pulverizadores de tinta de alto volume e baixa pressão (HVLP) foram projetados para proporcionar um acabamento preciso com baixo excesso de borrifo. O pulverizador pode também ser usado para aplicar diversos tipos de acrílico, tinta, seladores, laca, látex e primer. Esta unidade pode ser usada para pintar armários, móveis, máquinas, equipamentos, paredes e guarnições. Não é recomendado usar este tipo de pulverizador para o revestimento final de automóveis. Esta unidade portátil é uma alternativa ideal aos revólveres pulverizados convencionais. A alta eficiência de transferência do HVLP proporciona resultados profissionais com muito menos desperdício de material e de contaminação ao meio ambiente do que outros sistemas convencionais de pintura por pulverização.

Desembalagem

Ao desembalar o pulverizador, inspecione cuidadosamente para verificar se ocorreram danos durante o transporte. Certifique-se de que qualquer ajuste, parafuso, ou algo mais que esteja solto seja apertado antes de colocar o pulverizador em funcionamento. Todos os pulverizadores são testados antes da sua remessa.

NOTA: A porca sobreposta pode necessitar de ajuste adicional devido ao material de vedação ter se soltado



*Mostra-se a conexão inferior

Figura 1 - Características

durante a remessa.

O líquido usado para testar o pulverizador já foi drenado, mas é possível que tenha ficado um pouco no revólver pulverizador. Este líquido deve ser drenado do revólver pulverizador para evitar a contaminação do material de revestimento.

Use um solvente compatível com o revestimento a ser usado.

Normas de Segurança

Este manual contém informações muito importantes que devem ser conhecidas e compreendidas. Essas informações são fornecidas para **SEGURANÇA** e para **EVITAR PROBLEMAS NO EQUIPAMENTO**. Para ajudar a reconhecer essas informações, observe os seguintes símbolos.

⚠ DANGER Perigo indica uma situação eminentemente perigosa, que se não for evitada, causará a morte ou infortúnios gravosos.

⚠ AVISO Aviso indica uma situação

potencialmente perigosa, que se não for evitada, poderá resultar em morte ou infortúnios gravosos.

⚠ CUIDADO Cuidado indica uma situação

potencialmente perigosa, que se não for evitada poderá causar danos menos graves ou de grau moderado.

NOTA Nota indica uma informação

importante, que se não for seguida, poderá causar danos ao equipamento.

OBSERVAÇÃO: Informações que requerem atenção especial. As notificações PERIGO, ATENÇÃO, CUIDADO e AVISO e instruções neste manual não podem abranger todas as condições e situações possíveis que possam ocorrer. Há que ser compreendido pelo operador que o cuidado é um fator que não pode ser incorporado neste produto, mas deve ser fornecido pelo operador.

LEIA E SIGA TODAS AS INSTRUÇÕES

GUARDE ESTAS INSTRUÇÕES - NÃO DESCARTE

LEMBRETE: Guarde sua comprovação de compra datada até o fim da garantia!

Junte-a a este manual o archive-a para mais segurança.

Informações Gerais de Segurança

PROPOSIÇÃO 65 DA CALIFÓRNIA

⚠ AVISO

Este produto ou o seu cabo de força pode conter produtos químicos, incluindo o chumbo, conhecidos, no Estado da Califórnia, como causadores de câncer e defeitos congênitos ou outras lesões reprodutivas. Lave as mãos após manusear este produto.

SEGURANÇA GERAL

Leia todas as instruções e precauções de segurança antes de operar a unidade.



⚠ AVISO

Risco de incêndio ou explosão! Os vapores de solventes e tintas podem explodir ou se inflamar, causando lesão grave e danos materiais.



Não use para pulverizar com HIDROCARBONETOS HALOGENADOS. As tintas e solventes que contêm hidrocarbonetos halogenados podem reagir explosivamente com o alumínio. Verifique sempre o rótulo do produto antes de usar estes materiais na unidade.

A unidade não deve ser usada para pulverizar materiais inflamáveis além da laca. Veja as instruções específicas para pulverizar laca no quadro 1.

Certifique-se de que o local esteja bem ventilado.

Evite todas as fontes de ignição, como faíscas de eletricidade estática, chamas abertas, objetos quentes, faíscas produzidas ao conectar e desconectar fios elétricos e disjuntores de luz em funcionamento.

Siga as precauções de segurança e advertências do fabricante dos materiais e solventes. Não use líquidos com pontos de ignição abaixo de 38°C (100°F).

Não transporte a TURBINA enquanto estiver pulverizando.

Mantenha a turbina à distância máxima da área de pulverização.

Pode-se produzir eletricidade estática pela pulverização do tipo HVLP. Certifique-se de qualquer objeto condutor de eletricidade que estiver sendo pulverizado esteja aterrado a fim de evitar faíscas estáticas. O pulverizador é aterrado por meio do fio elétrico. Se for necessário um fio de extensão, ele deve ser aterrado, 115 volt, fio de três pinos.

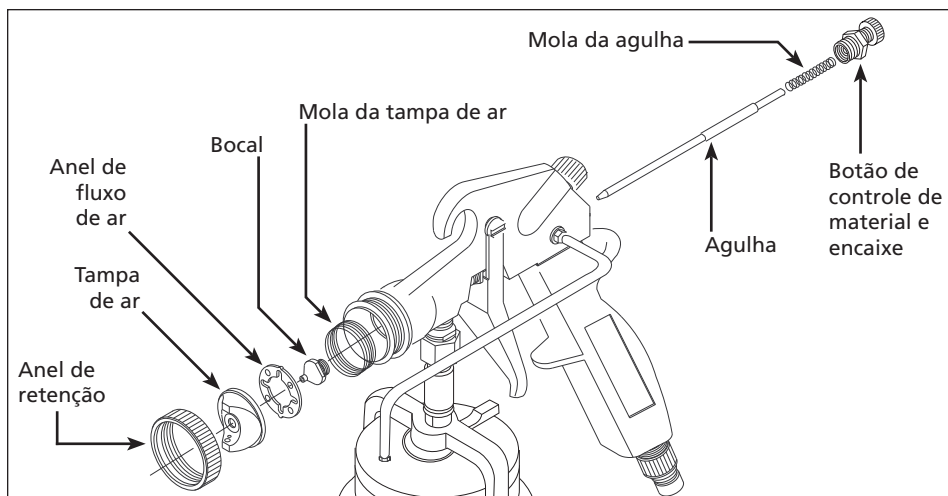


Figura 2 - Instalação da agulha/bocal

Vapores perigosos: Tintas, solventes, inseticidas e outros materiais podem ser nocivos se inalados, causando náusea severa, desmaio ou envenenamento.



Ao pintar, use sempre máscara ou respirador e proteção para os olhos. Certifique-se de que a máscara ou o respirador forneça proteção adequada contra a inalação de vapores nocivos.



NUNCA aponte o pulverizador a qualquer parte do seu corpo ou a outras pessoas.

⚠ CUIDADO

Tombar o revólver para o lado pode causar obstruções. Material seco de pulverização também obstrui o tubo de fornecimento de pressão e os encaixes. O revólver pulverizador não funcionará quando estiver obstruído.

Quando o revólver não estiver sendo usado, não deixe de desconectar a mangueira e colocar o revólver em uma superfície sólida e nivelada para evitar tombamento.

Componentes

(1) Revólver – totalmente montado, com agulha/bocal de 1,00 mm "para todas as finalidades."

Acessórios localizados no recipiente de tinta ou no compartimento de armazenagem da turbina:

- (1) Vareta de viscosidade
- (1) Pincel de limpeza
- (1) Chave para o revólver

Instalação

CONJUNTO DE AGULHA E BOCAL

IMPORTANTE: A agulha e o bocal são um conjunto coordenado. É muito importante que tanto a agulha quanto o bocal sejam corretamente selecionados e instalados. Os kits de agulha/bocal se identificam por um número inscrito em cada um dos componentes. Certifique-se de que os números no bocal e na agulha se correspondam. Se estes dois componentes não estiverem coordenados, o resultado será qualidade insatisfatória de acabamento.

1. Remova o anel de retenção, a tampa de ar, o anel do fluxo de ar, a mola da tampa de ar, o bocal, o botão de controle de material, a mola da agulha e o conjunto de agulha (Fig. 2).
2. Instale o conjunto de agulha/bocal adequado selecionado para o material a ser pulverizado.
3. Monte novamente o conjunto de agulha, a mola de agulha, o botão de controle de material, o bocal, o anel do fluxo de ar, a mola da tampa de ar, a tampa de ar e o anel de retenção.

NOTA

As quatro saliências no anel de fluxo de ar devem estar voltadas para frente quando montadas.

ACONEXÃO DA VÁLVULA DE CONTROLE DE AR (FIGURA 3)

1. Remova o encaixe de rápida conexão fêmea da mangueira.
2. Rosqueie a rápida conexão fêmea na válvula de controle de ar (incluída).
3. Rosqueie a válvula de controle de ar na mangueira.
4. Conecte o revólver à mangueira no encaixe de rápida conexão.

Instalação (Continuação)

NOTA

A jaqueta externa do encaixe de

rápida conexão fêmeo é carregada a mola e deve ser puxada para trás para ser conectada ou removida do revólver (Fig. 2).

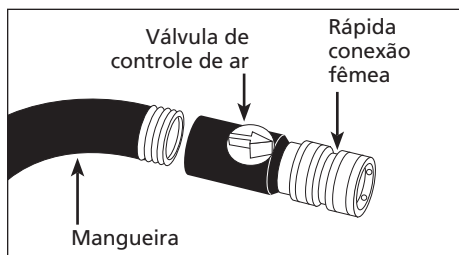


Figura 3 - Válvula de controle de ar

CONEXÃO DA MANGUEIRA DE AR

A mangueira de ar pode ser conectada ao revólver na parte inferior ou traseira da alça do revólver (descrito na figura 1).

Para conexão traseira, desenrosque o bujão de entrada da parte traseira e rosqueie o encaixe de rápida conexão macho (Fig. 4a). Coloque o bujão de entrada na parte inferior da alça.

Para a conexão pela parte inferior, remova o bujão de entrada da parte inferior e rosqueie o encaixe de rápida

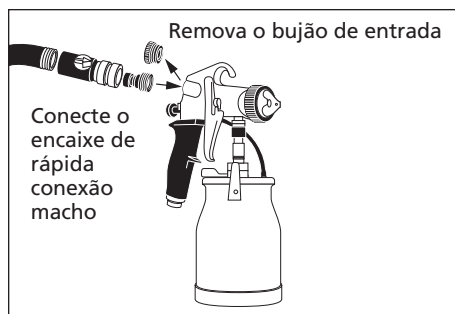


Figure 4a - Encaixe da mangueira de ar - Conexão traseira

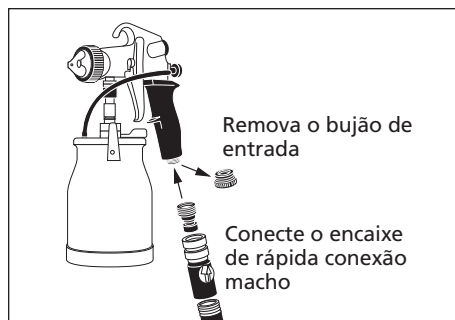


Figure 4b - Encaixe da mangueira de ar - Conexão inferior

conexão macho (Fig. 4b). Rosqueie o bujão de entrada na abertura traseira da alça.

AJUSTE DA GAXETA

Às vezes, a porca sobreposta localizada na parte dianteira do conjunto do gatilho necessitará ser ajustada. A porca sobreposta também requer ajuste quando houver uma mudança do conjunto de agulha/bocal.

1. Gire o botão de controle de material no sentido horário pelo menos 3/4 de volta.
2. Use uma chave para apertar a porca sobreposta. Gire no sentido horário até que a agulha não volte mais à posição fechada quando o gatilho é liberado. Não aperte demais a porca sobreposta.
3. Afrouxe a porca sobreposta (aproximadamente 1/4 de volta) até que a agulha volte sem dificuldade à posição fechada.

Preparação

PREPARANDO PARA PULVERIZAR

Alguns fabricantes de revestimento não recomendam que o seu material seja diluído. Em geral, essas instruções se aplicam apenas quando se usar rolo ou pincel. Ao pulverizar, talvez seja necessário diluir a tinta. Verifique junto ao fornecedor de tinta para detalhes específicos ao comprar o material de pulverização.

Não deixe de misturar bem o material após adicionar o diluente e antes de verificar a viscosidade. A mistura inadequada do material resultará em acabamento insatisfatório.

AVISO: Alguns acabamentos de látex são muito espessos e requerem uma grande quantidade de diluentes e mistura. Adicione um condicionador para tinta látex (disponíveis na maioria das lojas de tinta) à tinta para melhorar o desempenho da pulverização.

1. Coe a tinta antes de pulverizar. Tintas não coadas podem afetar o fluxo de material e o padrão de pulverização. Ao pulverizar materiais finos, como laca ou tintas, consulte o fornecedor do material para obter o número adequado de malha de coador.

Quadro de Diluentes de Material

MATERIAL	PORCENTAGEM REDUZIDA	VISCOSIDADE EM SEGUNDOS
Laca*	25% a 50%	15 a 22 segundos
Selador de polimento com lixa	20% a 30%	15 a 22 segundos
Émaux	20% a 40%	16 a 22 segundos
Tinta (óleo ou água)	Utiliser de la boîte	15 segundos
Esmalte acrílico	50% a 60%	15 a 17 segundos
Poliuretano catalisado	10% a 30%	15 a 18 segundos
Poliuretanos, vernizes	20% a 30%	16 a 22 segundos
Revestimentos à água	0% a 10%	24 a 35 segundos

* Observação especial sobre lacas e outros revestimento à base de óleo

Ao misturar ou diluir:

Elimine potenciais fontes de incêndio.

- Desligue o vaporizador HVLP, todos os outros aparelhos elétricos, fontes de faísca ou chama
- Siga cuidadosamente as instruções do fabricante de laca e diluentes

Reduza os vapores na área de pulverização. Elimine todo o potencial de derramamento de laca ou diluente na área de pulverização.

- Feche totalmente todos os recipientes imediatamente após misturar ou diluir e armazene longe de áreas de pulverização
- Não use a turbina de HVLP na proximidade de recipientes abertos ou de derramamentos
- Certifique-se de que todos os vapores tenham se dispersado antes de ligar o vaporizador HVLP

Quadro 1

Preparação (Continuação)

- Despeje o material num recipiente de tinta. Abasteça apenas pela metade ou 3/4 se houver a necessidade de diluir a tinta. (Veja a Figura 5). Consulte o Quadro 1 para obter instruções adequadas sobre diluição.

NOTA

Siga as recomendações do fabricante do material quanto aos agentes diluentes adequados.

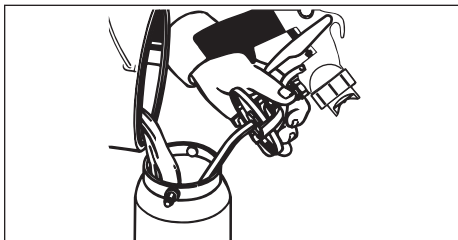


Figura 5 - Abastecimento do recipiente de tinta

- Seguindo o procedimento abaixo, verifique a viscosidade do material de pulverização antes de instalar o revólver no recipiente de tinta (Figura 6).

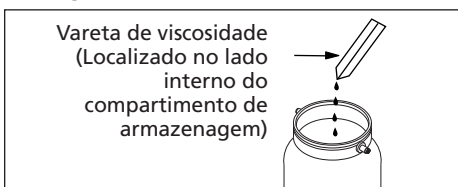


Figura 6 - Vareta de viscosidade

NOTA

A vareta de viscosidade está localizada no compartimento de armazenagem.

- Insira a vareta de viscosidade no material. Remova a vareta do recipiente. Aguarde até que o fluxo de material comece a pingar.
 - Calcule o intervalo de tempo entre as três primeiras gotas. O tempo variará dependendo da espessura (viscosidade) do material.
 - Considera-se o material adequadamente diluído se o intervalo de tempo for de aproximadamente um segundo.
 - Como regra geral, se o tempo entre as gotas for mais do que um segundo, o material está espesso demais. Adicione mais diluente, misture bem e verifique novamente a viscosidade adequada.
- Para fechar e travar o recipiente, coloque os braços de retenção firmemente ao redor dos pinos de retenção no recipiente de tinta.

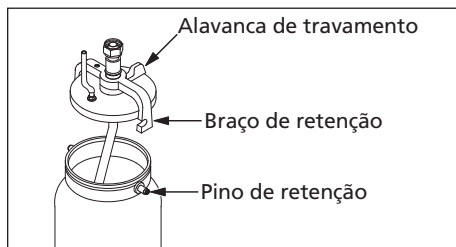


Figura 7 - Travamento do recipiente

- Mova a alavanca de travamento no sentido horário para travar (Veja a Figura 7).
- Anexe a mangueira de ar ao revólver no encaixe de rápida conexão.

Operação

Use sempre uma superfície de teste, como uma cartolina, para testar o movimento do revólver e para ajustar o padrão de pulverização e o fluxo de material.

- Mantenha o revólver paralelo e de 10,16 cm (4 pol.) a 22,86 cm (9 pol.) da superfície do objeto a ser pulverizado (Veja a Figura 8). Se a descarga do material estiver ajustada para um padrão estreito pequeno, poderá ser necessário aproximar-se da superfície de trabalho.

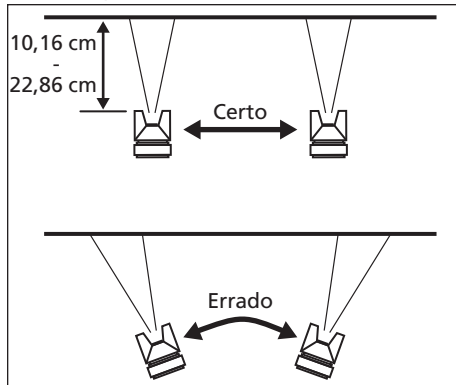


Figura 8 - Movimento do revólver

- Movimente o revólver uniformemente. Comece a movimentar o revólver antes de puxar o gatilho e continue após liberar o gatilho.
- Para melhores resultados, sobreponha cada camada por 25% ou 50%.
- Para ajustar o padrão da pulverização, gire a tampa de ar à posição de padrão desejada (Veja a Figura 9).
- Para ajustar o fluxo do material, gire o botão de controle de material no sentido horário para diminuir ou no

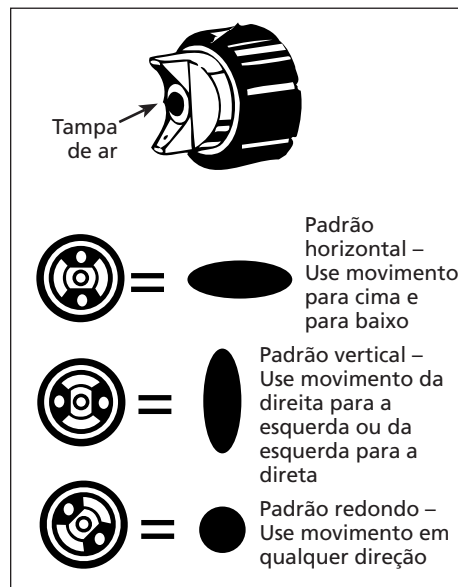


Figura 9 - Ajuste do padrão de pulverização

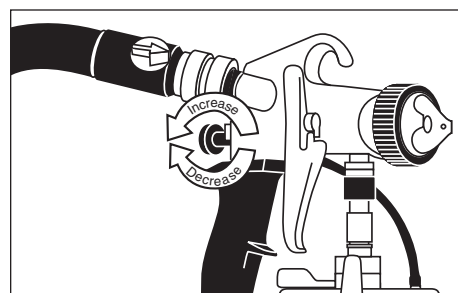


Figura 10 - Ajuste do fluxo de material

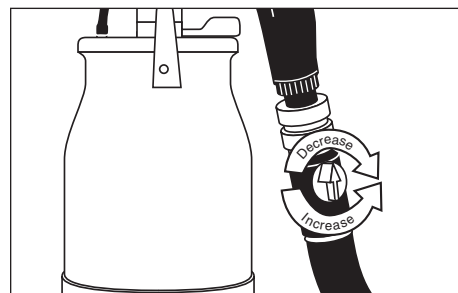


Figura 11 - Ajuste do fluxo de ar

- sentido anti-horário para aumentar o fluxo (Veja a Figura 10).
- Para ajustar a um padrão fino, gire o botão de controle de fluxo de ar no sentido horário para diminuir e no sentido anti-horário para aumentar o fluxo de ar (Veja a Figura 11).

OBSERVAÇÃO: A redução do fluxo de ar reduzirá o excesso de borrifio.

NOTA

O ar da turbina pode ser usado para secar as áreas demasiadamente revestidas ou áreas que demorem para secar.

Operação (Continuação)

O ar da turbina é quente devido à sua operação normal. A qualidade do acabamento pode ser afetada em dias quentes e secos devido à secagem prematura de alguns revestimentos, como a laca. Adicione agentes de retardamento ao material para evitar a secagem prematura. Consulte o fornecedor do material para obter o agente de retardamento adequado e os procedimentos de mistura.

PULVERIZANDO COM LACA

⚠ AVISO

A laca é um material inflamável. Deve-se observar precauções especiais de manuseio ao pulverizar com laca.

- Ao pulverizar, mantenha os vapores distantes da turbina.
- Use em área altamente ventilada. Abra todas as janelas e portas. Use ventiladores para aumentar o fluxo de ar.
- Coloque a turbina de HVLP à distância máxima da área de pulverização.
- Não pulverize na direção da turbina de HVLP.
- Não pulverize em superfícies quentes.
- Não pulverize na direção de faíscas ou cargas elétricas.

Manutenção

LIMPEZA

(CONSULTE A FIGURA 2 PARA ILUSTRAÇÕES DAS PEÇAS)

⚠ AVISO

Certifique-se de que a área de trabalho seja bem ventilada ao usar solventes. Descarte todos os materiais adequadamente, de acordo com as regulamentações locais.

1. Remova e coloque de lado o botão de controle de material, a mola e a agulha. (Puxe o gatilho para ajudar a remover a agulha.)

NOTA

A remoção da agulha antes de remover o bocal evitará danos à agulha.

2. Desenrosque e remova o anel de retenção, a tampa de ar, o anel de fluxo de ar e a mola da tampa de ar. Use a chave fornecida para remover o bocal. A mola da tampa de ar pode não necessitar de limpeza.
3. Coloque o anel de retenção, tampa de ar, o anel de fluxo de ar e o recipiente de tinta em um balde ou outro recipiente adequado. Encharque em um solvente adequado, ou em água e detergente se tiver sido usado látex. Para limpar o revólver, despeje o solvente pelo tubo do material até que a solução saia limpa (Veja a Figura 12).

⚠ AVISO

Nunca pulverize solventes não diluídos com o revólver.

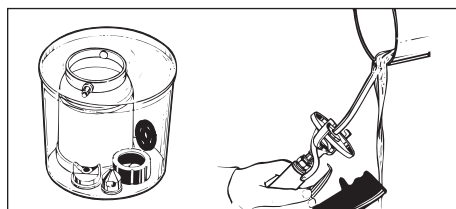


Figura 12 - Limpeza das peças do revólver pulverizador

4. Use a escova de limpeza (saturada com solvente) para limpar o tubo do material e o bocal (Veja a Figura 13).
5. Repita os procedimentos de limpeza a partir da ponta do bocal do revólver.

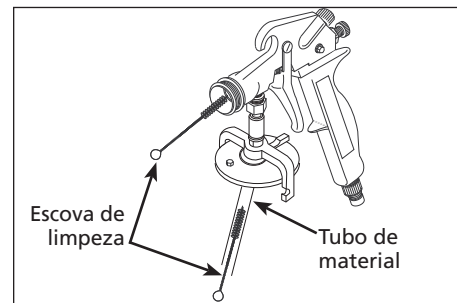


Figura 13 - Limpeza do tubo de material

6. Quando o revólver e todas as peças estiverem completamente limpos, use a mangueira da turbina para secar as peças e as passagens de líquido. A secagem completa antes de remontar evita a contaminação do revestimento durante a próxima operação da unidade e impede a oxidação dos componentes internos do revólver.
7. Reinstale os componentes em ordem oposta da desmontagem. Instale sempre o bocal antes de instalar a agulha para evitar danos à agulha.

NOTA

Os quatro botões salientes no anel de fluxo de ar devem estar voltados para frente quando estiverem montados.



Resolução de Problemas

Sintoma	Possíveis causas	Ação corretiva
Não há fluxo de material	<ol style="list-style-type: none"> 1. Bocal/tampa de ar obstruído 2. Tubo ou encaixes de pressão do recipiente obstruídos 3. Revólver obstruído 4. Tubo de material obstruído 5. Vazamento na vedação do recipiente 6. Material inadequadamente misturado ou filtrado 	<ol style="list-style-type: none"> 1. Desmonte e limpe 2. Desmonte e limpe (pode-se usar um pino para limpar os encaixes) 3. Desmonte e limpe 4. Desmonte e limpe o revólver e a válvula de retenção 5. Inspecione a vedação do recipiente, a tampa do recipiente e limpe ou substitua se necessário 6. Coe a tinta
Fluxo lento de material	<ol style="list-style-type: none"> 1. Material espesso demais 2. Ajuste inadequado do material 3. Agulha/bocal incorretos 4. Filtro de ar obstruído 5. Material inadequadamente misturado ou filtrado 6. Material frio demais 	<ol style="list-style-type: none"> 1. Limpe o tubo do material, o revólver e os encaixes e em seguida dilua o material 2. Ajuste o botão de controle de material 3. Refira-se ao quadro de aplicação de material para agulha/bocal correto 4. Remova e substitua o filtro de ar 5. Coe a tinta 6. Eleve a temperatura do material para 15°C (60°F)
Vazamento de material	<ol style="list-style-type: none"> 1. Recipiente ou revólver danificados 2. Gaxeta solta 3. Gaxeta gasta ou danificada 4. Vedação do recipiente gasta ou danificada 5. Encaixes do recipiente soltos 6. Bocal solto 7. Conjunto de agulha/bocal incorreto 8. Agulha danificada 9. Botão de controle de material solto 10. Vazamento na vedação do recipiente 	<ol style="list-style-type: none"> 1. Inspecione o revólver e o recipiente e substitua peças danificadas 2. Ajuste a porca sobreposta 3. Remova e substitua 4. Remova e substitua 5. Aperte 6. Aperte 7. Consulte o quadro de aplicação de material para identificar agulha/bocal correto 8. Substitua 9. Ajuste adequadamente girando no sentido horário 10. Limpe e seque antes de usar
O vaporizador não se desliga	<ol style="list-style-type: none"> 1. Agulha suja 2. Gaxeta apertada demais 3. Botão de controle de material solto 	<ol style="list-style-type: none"> 1. Limpe ou substitua a agulha 2. Ajuste a porca sobreposta 3. Aperte
Vaporizador vibra	<ol style="list-style-type: none"> 1. Vazamento na vedação do recipiente ou na válvula de retenção 2. Gaxeta inadequadamente ajustada 3. Encaixes soltos no recipiente ou no revólver 4. Anel de retenção solto 5. Bocal solto 6. Anel do fluxo de ar danificado 7. Material inadequadamente misturado ou filtrado 	<ol style="list-style-type: none"> 1. Desmonte e limpe 2. Ajuste a porca sobreposta ou substitua a gaxeta 3. Aperte 4. Aperte 5. Aperte 6. Substitua 7. Coe a tinta
Excesso de borrfio	<ol style="list-style-type: none"> 1. Material ralo demais 2. Fluxo de ar excessivo 3. Agulha/bocal incorretos 4. Revólver muito longe da superfície de trabalho 5. Pulverização espalhada pelo vento 6. Fluxo excessivo de material 7. Material inadequadamente misturado ou filtrado 	<ol style="list-style-type: none"> 1. Verifique a viscosidade do material (adicione material não diluído) 2. Ajuste o fluxo de ar 3. Conjunto de agulha/bocal incorreto 4. Coloque o revólver mais perto da superfície 5. Proteja a área 6. Ajuste o botão de controle de fluxo do material 7. Coe a tinta

Resolução de Problemas (Continuação)

Sintoma	Possíveis causas	Ação corretiva
Pulverização não uniforme	<ol style="list-style-type: none"> 1. Material espesso demais 2. Conjunto de agulha/bocal incorreto 3. Vazamento na vedação do recipiente 4. Gaxeta solta 5. Material não adequadamente misturado ou filtrado 	<ol style="list-style-type: none"> 1. Verifique a viscosidade do material (Dilua de acordo com as instruções) 2. Troque por agulha/bocal adequados 3. Aperte o recipiente, substitua a vedação ou a válvula de retenção 4. Ajuste ou substitua a gaxeta 5. Coe a tinta
Padrão insatisfatório	<ol style="list-style-type: none"> 1. Acúmulo de material no bocal ou na tampa de ar 2. Bocal/agulha gastos 3. Tampa de ar obstruída 4. Material não adequadamente misturado ou filtrado 	<ol style="list-style-type: none"> 1. Limpe o bocal e a tampa de ar 2. Substitua 3. Limpe 4. Coe a tinta
Aquecimento excessivo	Filtro obstruído	Substitua
Fluxo de ar insatisfatório	<ol style="list-style-type: none"> 1. Filtro obstruído 2. Controle do fluxo do ar inadequadamente ajustado 	<ol style="list-style-type: none"> 1. Substitua o filtro 2. Ajuste o controle de fluxo de ar
Ponta de pulverização fica obstruída	<ol style="list-style-type: none"> 1. Ajuste inadequado do fluxo de material 2. Vazamento na vedação do recipiente 3. Agulha/bocal incorretos 	<ol style="list-style-type: none"> 1. Ajuste o controle de material 2. Substitua a vedação do recipiente 3. Troque por agulha/bocal adequados

Resolução de Problemas - Qualidade de Acabamento

Sintoma	Possíveis causas	Ação corretiva
Casca de laranja (Aparência de rolamento áspero semelhante a descascar uma laranja)	<ol style="list-style-type: none"> 1. Material está secando depressa demais 2. Revólver longe demais da superfície 3. Material espesso demais 	<ol style="list-style-type: none"> 1. Use solvente mais lento ou adicione um agente de retardamento 2. Aproxime o revólver da superfície 3. Dilua o material de acordo com as instruções
Escorrimento e deformação	<ol style="list-style-type: none"> 1. Material ralo demais 2. Movimento do revólver lento demais 3. Fluxo excessivo de material 4. Revólver muito perto da superfície 	<ol style="list-style-type: none"> 1. Adicione material para aumentar a espessura 2. Movimento mais rapidamente o revólver 3. Gire o botão de controle de material no sentido horário para reduzir o fluxo 4. Afaste revólver da superfície
Porosidade excessiva e solvente se rompe	<ol style="list-style-type: none"> 1. Solventes interceptados 2. Sedimentação de pigmentos 3. Contaminação do sistema 	<ol style="list-style-type: none"> 1. Aplique o material em camadas mais leves, dando tempo para os solventes evaporarem 2. Material possivelmente mau 3. Limpe bem todas as peças
Olho de peixe	Possível contaminação do silicone	Use solvente para limpar todas as peças e a superfície de trabalho
Formação de bolha	<ol style="list-style-type: none"> 1. Umidade na superfície 2. Camadas superiores ou inferiores incompatíveis 	<ol style="list-style-type: none"> 1. Seque a superfície 2. Certifique-se de que as camadas sejam compatíveis
Superfície empipocada e áspera	Sujeira na superfície	Limpe bem a superfície
Acabamento superficial salpicado	<ol style="list-style-type: none"> 1. Diluente excessivo 2. Técnica de pulverização insatisfatória 	<ol style="list-style-type: none"> 1. Use menos diluente 2. Consulte "Operação" para obter instruções sobre pulverização

NOTA

- As condições do tempo podem causar resultados insatisfatórios ao pulverizar determinados revestimentos.
- A alta unidade prolonga os tempos de assentamento e de cura
- Altas temperaturas diminuem os tempos de assentamento e de cura
- Temperaturas frias aumentam os tempos de assentamento e de cura
- Variações na temperatura e na umidade podem causar variações na qualidade do acabamento.
- Os fabricantes de revestimentos podem recomendar aditivos para solucionar alguns desses problemas e devem ser contatados para obter assistência com problemas específicos.

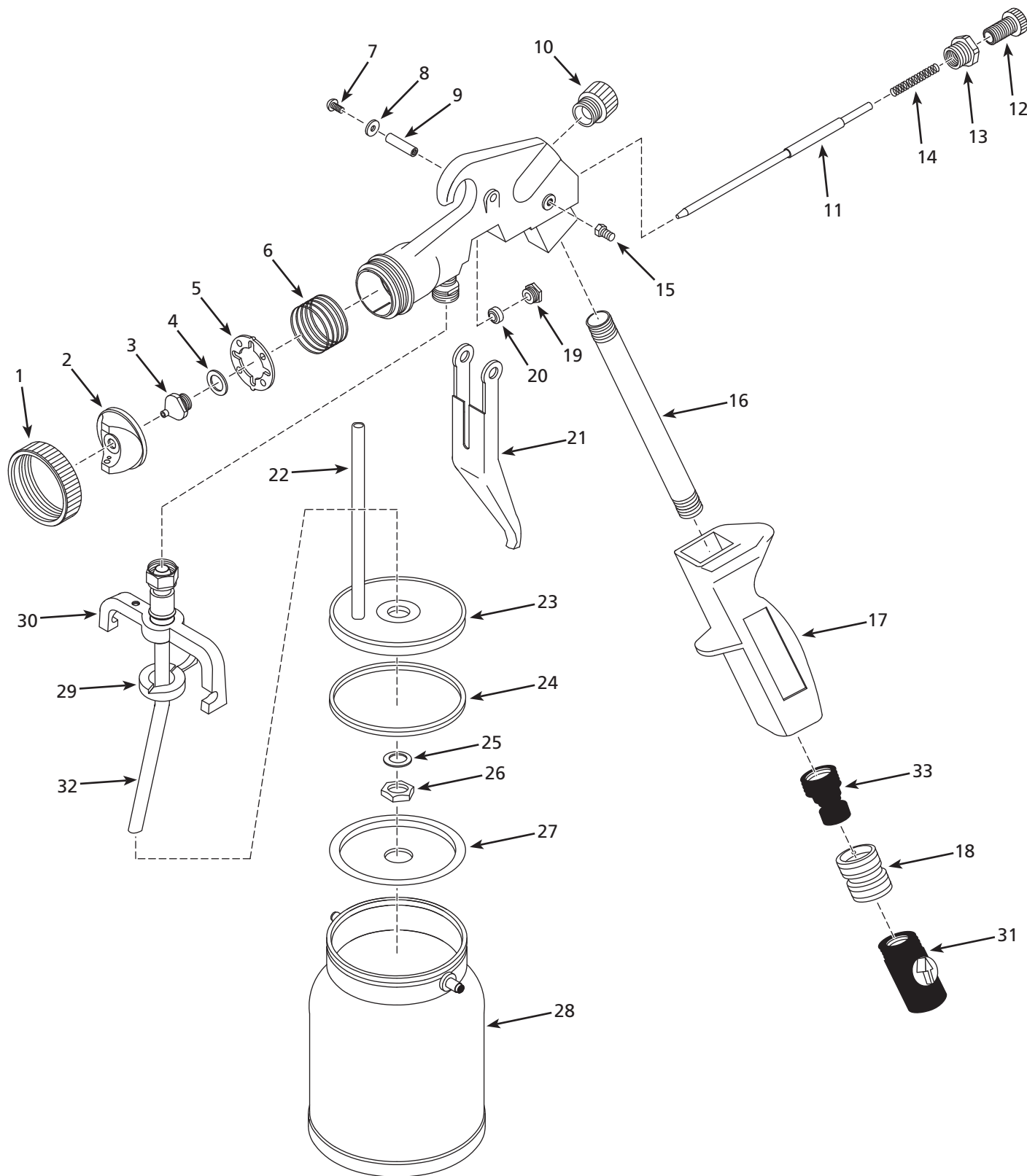
Para pedir peças de reposição, ligue para 1-800-626-4401

Favor fornecer as seguintes informações:

- Número do modelo
- Número de série (se houver)
- Descrição e número da peça conforme indicado na lista de peças

Endereço para correspondência:

Campbell Hausfeld
Attn: Parts Department
100 Production Drive
Harrison, OH 45030 U.S.A.



Peças de Reposição

Nº de Ref.	Descrição	Número de peça	Qtd.
1	Anel de retenção	HV104504AV	1
2	Tampa de ar	HV104505AV	1
3	Conjunto de bocal 1,00 mm	▶	1
4	Gaxeta do bocal	HV104524AV	1
5	Anel de fluxo de ar	HV104511AV	1
6	Mola da tampa de ar	HV104512AV	1
7	Parafusos	■	2
8	Arruela do gatilho	■	2
9	Pino do gatilho	■	1
10	Bujão de entrada	HV104000AV	1
11	Agulha de 1,00 mm	▶	1
12	Botão de ajuste de material	HV104502AV	1
13	Inserção do ajustador	HV104503AV	1
14	Mola da agulha	HV104513AV	1
15	Encaixe do tubo de pressão	HV004700AV	2
16	Tubo da alça	HV104501AV	1
17	Alça	HV103800AV	1
18	Encaixe de rápida conexão fêmeo	HV002200AV	1
19	Porca sobreposta	HV104515AV	1
20	Gaxeta	HV104514AV	1
21	Gatilho	HV104507AV	1
22	Tubo de pressão	HV006201AV ▲	1
23	Tampa do recipiente	DH962100AV ▲	1
24	Vedação do recipiente	SK206401SJ ▲	3
25	Arruela de nylon	ST077903AV ▲	1
26	Porca do recipiente	DH077800AV ▲	1
27	Válvula de retenção	HV004400AV ▲	1
28	Recipiente	DH077900AV ▲	1
29	Alavanca	DH962400AV ▲	1
30	Conjunto do braço de ligação	DH077400AV ▲	1
31	Válvula de controle de ar	HV011301SV	1
32	Conjunto do tubo de material	DH077300AV ▲	1
33	Encaixe de conexão rápida macho	HV103900AV	1
34	Chave (não mostrada)	HV104525AV	1

KITS DE SUBSTITUIÇÃO

▲	Conjunto do recipiente	HV011401AJ
●	Conjunto de agulha/bocal 0,75 mm	A5218/A5206
■	Kit de cavilhas acionadoras	HV104526AJ
▶	Conjunto de agulha/bocal de 1,00 mm	HV104521SV

REGISTRE SEU PRODUTO ON-LINE AGORA!

<http://www.campbellhausfeld.com>

Garantia Limitada

1. **DURAÇÃO:** A partir da data de compra pelo comprador original conforme a seguir: Um (1) ano.
2. **QUEM CONCEDE ESTA GARANTIA (GARANTIDOR):** Campbell Hausfeld/Scott Fetzer Company, 100 Production Drive, Harrison, Ohio, 45030, Telefone: 1-800-626-4401.
3. **QUEM RECEBE ESTA GARANTIA (COMPRADOR):** O comprador original (não para objetivo de revenda) dos produtos da Campbell Hausfeld.
4. **QUAIS SÃO OS PRODUTOS COBERTOS POR ESTA GARANTIA:** Esta revólver pulverizador HVLP da Campbell Hausfeld.
5. **O QUE ESTÁ COBERTO NESTA GARANTIA:** Defeitos de material e mão de obra que se apresentem durante o prazo de garantia. O Garantidor cobrirá também itens de desgaste normal por um período de trinta dias a partir da data original da compra contra defeitos de material e mão de obra. Os itens de desgaste são: filtros de HVLP, escovas automáticas, gaxeta do revólver, vedação do recipiente do revólver, válvula de retenção do revólver e anel de fluxo de ar do revólver; válvulas de entrada sem ar, válvula de saída, válvula do revólver, filtros, pontas, todas as vedações e anéis em O.
6. **O QUE NÃO ESTÁ COBERTO NESTA GARANTIA:**
 - A. Garantias implícitas, incluindo as de COMERCIALIZIDADE E ADEQUAÇÃO PARA UM OBJETIVO ESPECÍFICO SÃO LIMITADAS A PARTIR DA DATA DA COMPRA ORIGINAL, CONFORME ESTABELECIDO NO ITEM DURAÇÃO ACIMA. Se um produto de uso normal for usado para objetivos comerciais ou industriais, a garantia terá a duração de noventa (90) dias a partir da data de compra. Se o produto for usado para aluguel, a garantia terá a duração de noventa (90) dias a partir da data de compra. Alguns estados nos Estados Unidos) não permitem limites referentes ao prazo de duração da garantia implícita, de forma que os limites acima podem não se aplicar ao seu caso.
 - B. QUALQUER PERDA, DANO OU DESPESA INCIDENTAL, INDIRETA OU CONSEQÜENTE QUE POSSA RESULTAR DE QUALQUER DEFEITO, FALHA OU MAU FUNCIONAMENTO DOS PRODUTOS DA CAMPBELL HAUSFELD. Alguns estados (nos Estados Unidos) não permitem a exclusão ou limite de danos incidentais ou conseqüentes, de forma que o limite e exclusão podem não se aplicar ao seu caso.
 - C. Qualquer falha resultante de acidente, abuso por parte do comprador, negligência ou da não operação do produto de acordo com as instruções no(s) manual(ais) do proprietário que acompanha(m) este produto. Acidente, abuso por parte do comprador, negligência ou a não operação dos produtos de acordo com as instruções incluirão também a retirada ou alteração de qualquer dispositivo de segurança. Se tais dispositivos de segurança forem retirados ou alterados, esta garantia será anulada.
 - D. Ajustes normais que são explicados nos manuais do proprietário fornecido com o produto.
 - E. Itens ou serviços normalmente exigidos para manter o produto, isto é, filtros de HVLP, escovas automáticas, gaxeta do revólver, vedação do recipiente do revólver, válvula de retenção do revólver e anel de fluxo de ar do revólver. Válvulas de entrada sem ar, válvula de saída, válvula do revólver, filtros, pontas, todas as vedações e anéis em O ou qualquer outra parte consumível não necessariamente listada, estarão cobertos apenas por trinta dias a partir da data da compra original.
7. **RESPONSABILIDADES DO GARANTIDOR DE ACORDO COM ESTA GARANTIA:** Consertar ou substituir, a critério do garantidor, produtos ou componentes com defeitos, mau funcionamento e/ou falha durante o prazo de garantia.
8. **RESPONSABILIDADES DO COMPRADOR DE ACORDO COM ESTA GARANTIA:**
 - A. Fornecer comprovante de compra, datado, e registros de manutenção.
 - B. Ligue para a Campbell Hausfeld (800-626-4401) para obter suas opções de serviço de garantia. Os custos de frete devem ser pagos pelo comprador.
 - C. Usar cuidado adequado na operação e manutenção dos produtos conforme descrito no(s) manual(ais) do proprietário.
9. **QUANDO O GARANTIDOR IRÁ CONSERTAR OU SUBSTITUIR DE ACORDO COM ESTA GARANTIA:**
 - A. Consertos ou substituições serão programados e realizados de acordo com o fluxo de trabalho normal no local de conserto e dependendo da disponibilidade das peças de substituição.
 - B. Se o comprador não receber resultados satisfatórios do Centro de Serviço Autorizado, o comprador deve contatar a Campbell Hausfeld (veja o parágrafo 2).

Esta garantia limitada se aplica apenas aos Estados Unidos e Canadá e lhe fornece direitos legais específicos. Você pode também ter outros direitos, que variam de estado para estado, ou de país para país.

Sírvase leer y conservar estas instrucciones. Léalas con cuidado antes de intentar armar, instalar, operar o efectuar mantenimiento al producto descrito. Protéjase a sí mismo y a los demás observando la información de seguridad. El no cumplir con estas instrucciones podría provocar lesiones personales y/o daños materiales. Conserve estas instrucciones para futura referencia.



Pistola de Rociar de HVLP

Atención: Campbell Hausfeld recomienda que los servicios no indicados en el manual de instrucciones sean efectuados en centros de servicio autorizados.

Índice

Descripción	Sp 31
Desempaque	Sp 31
Medidas de Seguridad	Sp 31
Información General de Seguridad	Sp 31
Instalación	Sp 31
Preparación	Sp 31
Operación	Sp 31
Mantenimiento	Sp 31
Guía de Diagnóstico de Problema	Sp 31
Lista de Repuestos	Sp 31
Garantía	Sp 31

Descripción

Los rociadores de pintura de alto volumen y baja presión (HVLP), están diseñados para producir un acabado fino con bajo rociado. El rociador puede usarse para aplicar diversos acrílicos, tintes, selladores, lacas, latexes e imprimantes. Esta unidad puede usarse para pintar gabinetes, muebles, maquinaria, equipo, paredes y molduras. Los rociadores de este tipo no se recomiendan para la capa final en automotores. Esta unidad portátil es una alternativa ideal para las pistolas de rociado convencionales. La alta eficacia de transferencia de la HVLP proporciona resultados profesionales con mucho menos desperdicio de material y contaminación ambiental que otros sistemas convencionales de pintura por rociado.

Desempaque

Cuando desempaque el rociador, revise con cuidado cualquier daño que pueda haber ocurrido durante el transporte. Verifique que cualquier conexión, pernos flojos, etc., sean ajustados antes de poner el rociador en servicio. Cada rociador ha sido probado antes del envío.

NOTA: La tuerca de empaque puede

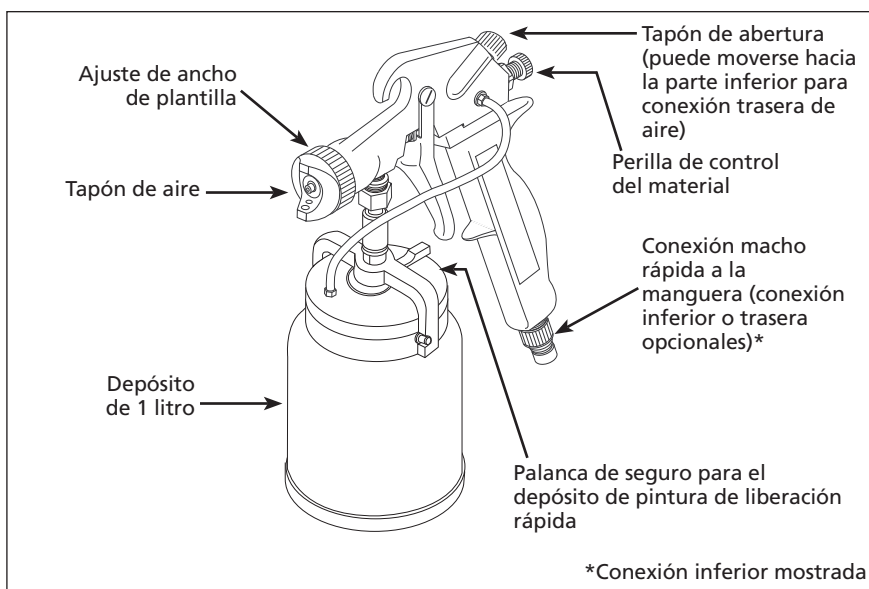


Figura 1 - Características

requerir un ajuste adicional debido al aflojamiento del material de empaque durante el embarque.

El líquido utilizado para probar el rociador se ha drenado, pero aún queda un poco de este líquido en la pistola rociadora. Este líquido debe eliminarse de la pistola para prevenir la contaminación del material recubridor.

Utilice un solvente compatible con el recubrimiento que se rociará.

Medidas de Seguridad

Este manual contiene información que es muy importante que sepa y comprenda. Esta información se la suministramos como medida de SEGURIDAD y para EVITAR PROBLEMAS CON EL EQUIPO. Debe reconocer los siguientes símbolos.

▲ PELIGRO Esto le indica que inmediata que LE OCASIONARIA la muerte o heridas de gravedad.

▲ ADVERTENCIA Esto le indica que hay una situación

que PODRIA ocasionar la muerte o heridas de gravedad.

▲ PRECAUCION Esto le indica que hay una situación que PODRIA ocasionarle heridas no muy graves.

AVISO Esto le indica una información importante, que de no seguirla, le podría ocasionar daños al equipo.

NOTA: Información que requiere atención especial. Los símbolos de PELIGRO, ADVERTENCIA, PRECAUCIÓN, y AVISO y las instrucciones en este manual no pueden posiblemente cubrir todas las condiciones y situaciones posibles que puedan presentarse. El operador debe entender que la precaución es un factor que no puede ser incluido en el producto, sino que debe ser proporcionada por el operador.

**LEA Y SIGA TODAS LAS INSTRUCCIONES
GUARDE ESTAS INSTRUCCIONES - NO LAS DESECHE**

LEMBRETE: Guarde sua comprovaçõ de compra datada até o fim da garantia!
Junte-a a este manual o arquive-a para mais segurança.

Informaciones Generales de Seguridad

PROPOSICIÓN 65 DE CALIFORNIA

ADVERTENCIA Este producto, o su cable de corriente pueden contener químicos, incluido plomo, que es conocido por el Estado de California como causante de cáncer y defectos de nacimiento u otros daños reproductivos. Lávese las manos después de manipularlo.

INFORMACIONES GENERALES DE SEGURIDAD

Lea todas las instrucciones y precauciones de seguridad antes de operar la unidad.



ADVERTENCIA

Hay riesgo de incendio o explosión! Los vapores del solvente y la pintura pueden explotar o encenderse, causando lesiones y daños materiales graves.



No use la pistola para rociar **HIDROCARBUROS HALOGENADOS**. Las pinturas y solventes que contienen hidrocarburos halogenados pueden reaccionar explosivamente con el aluminio. Verifique siempre la etiqueta del producto antes de usar estos materiales en la unidad.

La unidad no está destinada para rociar materiales inflamables con excepción de la laca. Consulte las instrucciones específicas para rociar con laca en la Tabla 1.

Asegúrese de que la habitación esté bien ventilada.

Evite todas las fuentes de encendido, tales como chispas de electricidad estática, llamas abiertas, objetos calientes, chispas producidas al conectar y desconectar cordones de energía e interruptores de luces de trabajo.

Siga todas las precauciones y advertencias de seguridad del fabricante del material y del solvente. No utilice líquidos cuya temperatura de inflamación sea menor de 38°C (100°F).

No levante la TURBINA mientras esté rociando.

Mantenga la turbina a una distancia máxima del área de rociado.

El rociado de HVLP puede producir electricidad estática. Compruebe que cualquier objeto conductor de electricidad que esté siendo rociado, esté conectado a tierra para impedir las chispas de estática. El rociador está conectado a tierra mediante el cordón

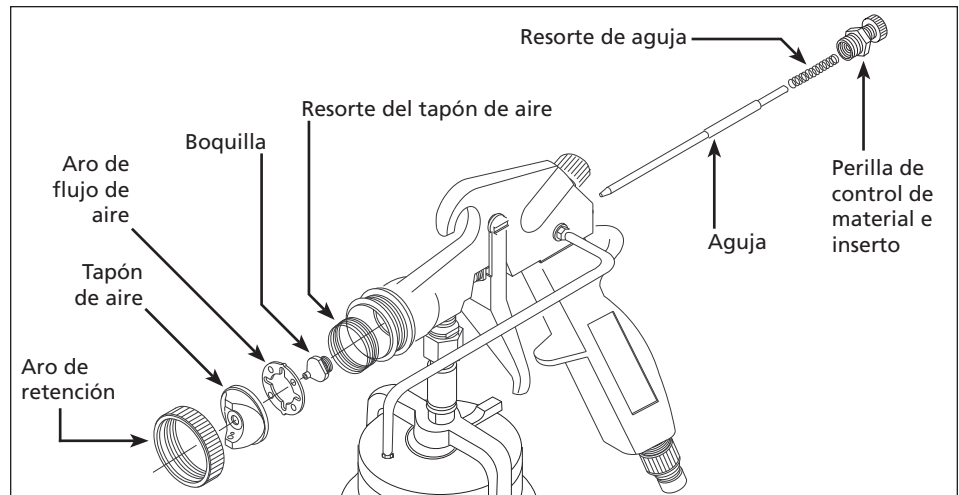


Figura 2 - Instalación de la aguja/boquilla

eléctrico. Si necesita un cordón de extensión, éste tiene que ser uno del tipo de 3 conductores, de 115 voltios, conectado a tierra.

Vapores peligrosos: las pinturas, los solventes, los insecticidas y otros materiales pueden ser dañinos si se les inhala, pudiendo ocasionar náuseas, desmayos o envenenamiento.



Cuando pinte, use siempre una máscara o respirador y protección ocular. Asegúrese de que la máscara o el respirador provean la protección necesaria contra la inhalación de vapores dañinos.



NUNCA apunte la pistola de rociar a ninguna parte del cuerpo ni a otra persona.

PRECAUCION

Ladear la pistola puede causar atoros. El material de rociar seco también atora el tubo y conexiones de salida. La pistola de rociar no funciona cuando está atorada.

Cuando no esté en uso, asegúrese de desconectar la manguera y coloque la pistola sobre una superficie sólida y nivelada para evitar que se ladee.

Componentes

(1) Pistola - totalmente armada, con aguja/boquilla de 1,00 mm para "uso general" instalada.

Los accesorios ubicados en el depósito de pintura o en el compartimento de almacenaje de la turbina son:

- (1) Varilla de viscosidad
- (1) Brocha de limpieza
- (1) Llave de pistola

Instalación

CONJUNTO DE AGUJA Y BOQUILLA

IMPORTANTE: La aguja y la boquilla conforman un conjunto adaptado. Es muy importante que tanto la aguja como la boquilla se seleccionen e instalen correctamente. Los juegos de aguja/boquilla se identifican con un número inscrito en cada componente. Asegúrese de que los números de la boquilla y la aguja concuerden. Si no existe esta correspondencia de los componentes, se obtendrá una pobre calidad de acabado.

1. Retire el aro de retención, el tapón de aire, el aro de flujo de aire, el resorte del tapón de aire, la boquilla, la perilla de control del material, el resorte de la aguja y el conjunto de aguja (Fig. 2).
2. Instale el conjunto de aguja y boquilla adecuado, seleccionado para el material que se rociará.
3. Vuelva a armar el conjunto de aguja, el resorte de la aguja, la perilla de control del material, la boquilla, el aro de flujo de aire, el resorte del tapón de aire, el tapón de aire y el aro de retención.

AVISO

Los cuatro bultos protuberantes en el aro de flujo de aire deben estar orientados hacia adelante cuando se realice el montaje.

COLOCACIÓN DE LA VÁLVULA DE CONTROL DE AIRE (FIGURA 3)

1. Retire la conexión rápida hembra de la manguera.
2. Atornille la conexión rápida hembra dentro de la válvula de control de aire.

Instalación (Continuación)

3. Atornille la válvula de control de aire sobre la manguera.
4. Fije la pistola a la manguera en la conexión rápida.

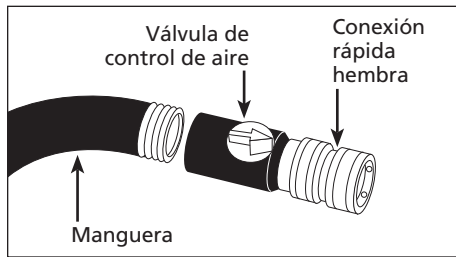


Figura 3 - Válvula de control de aire

AVISO

El manguito exterior de la conexión

rápida hembra tiene tensión a resorte y debe jalarse hacia atrás para fijarla o retirarla de la pistola (Fig. 2).

COLOCACIÓN DE LA MANGUERA DE AIRE

La manguera de aire puede fijarse a la pistola en la parte inferior o trasera del mango (se describe en la Figura 1).

Para una conexión trasera, destornille el tapón de la abertura trasera y atornille la conexión rápida macho (Fig. 4a). Coloque el tapón de abertura en la parte inferior del mango.

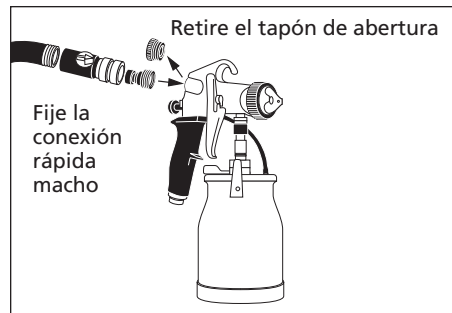


Figure 4a - Colocación de la manguera de aire - Conexión trasera

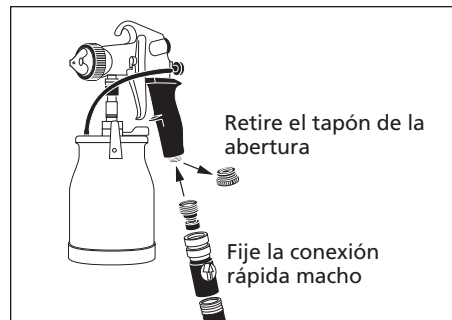


Figure 4b - Colocación de la manguera de aire - Conexión inferior

Para una conexión inferior, retire el tapón de la abertura inferior y atornille la conexión rápida macho (Fig. 4b). Atornille el tapón de abertura en la parte trasera del mango.

AJUSTE DEL EMPAQUE

La tuerca de empaque, situada delante del conjunto de gatillo, requerirá ajustes ocasionalmente. La tuerca de empaque también requiere ajuste cuando se cambia el conjunto de aguja y boquilla.

1. Gire la perilla de control de material en el sentido horario, por lo menos 3/4 del recorrido hacia adentro.
2. tilice una llave para ajustar la tuerca de empaque. Hágala girar en el sentido de las agujas del reloj, hasta que la aguja no retorne a la posición cerrada cuando se suelta el gatillo. No ajuste excesivamente la tuerca de empaque.
3. Afloje la tuerca de empaque (1/4 de vuelta aproximadamente) hasta que la aguja retorne libremente a la posición cerrada.

Preparación

CÓMO PREPARAR EL ROCIADO

Algunos fabricantes de recubrimientos no recomiendan que se diluyan sus materiales. En general, estas instrucciones son válidas sólo cuando se usa una brocha o rodillo. El diluir puede ser necesario si se van a rociar los materiales. Verifique los detalles específicos con el proveedor de pintura cuando compre material para rociar.

Asegúrese de mezclar bien el material después de añadir un agente diluyente y antes de comprobar la viscosidad. Si no se mezcla adecuadamente el material se obtiene un acabado pobre.

AVISO: Algunos acabados de látex son muy espesos y necesitan una gran cantidad de agente diluyente y mezcla. Añada un acondicionador de pintura látex (disponible en la mayoría de ferreterías) a la pintura para mejorar el rociado.

1. Cuele la pintura antes de rociar. La pintura no colada puede afectar el flujo del material y el patrón de rociado. Cuando rocíe materiales finos como laca o tintes, consulte con el proveedor el número correcto de malla del colador.

Tabla de Cómo Hacer Menos Densos los Materiales

MATERIAL	PORCENTAJE DE REDUCCIÓN	VISCOSIDAD EN SEGUNDOS
Lacas*	25% al 50%	15 a 22 segundos
Sellador de lijado	20% al 30%	15 a 22 segundos
Esmaltes	20% al 40%	16 a 22 segundos
Tintes (aceite o agua)	Use de la lata	15 segundos
Esmalte acrílico	50% al 60%	15 a 17 segundos
Poliuretano catalizado	10% al 30%	15 a 18 segundos
Poliuretanos, barnices	20% al 30%	16 a 22 segundos
Recubrimientos al agua	0% al 10%	24 a 35 segundos

* Ver nota especial sobre lacas y otros recubrimientos al aceite

Cuando mezcle o diluya:

Elimine las posibles fuentes de incendio.

- Apague el rociador de HVLP, todos los demás artefactos eléctricos, las fuentes de chispas o llamas
- Siga con mucho cuidado las indicaciones del fabricante de la laca el diluyente

Reduzca al mínimo los vapores en el área de rociado. Elimine toda posibilidad de derrame de laca o diluyente en el área de rociado.

- Vuelva a ajustar las tapas de todos los recipientes inmediatamente después de mezclar o diluir, y guárdelos lejos del área de rociado.
- No haga funcionar la turbina de HVLP en presencia de recipientes abiertos o derrames.
- Compruebe que todos los vapores se han dispersado antes de hacer funcionar el rociador de HVLP.

Tabla 1

Preparación (Continuación)

- Vierta el material en el depósito de pintura. Llene sólo la mitad o 3/4 del depósito si se requiere diluir. (Ver Figura 5). Refiérase a la Tabla 1 para las instrucciones de cómo hacer menos densos los materiales.

AVISO

Siga las recomendaciones del fabricante del material para determinar cuál agente diluyente es el adecuado.

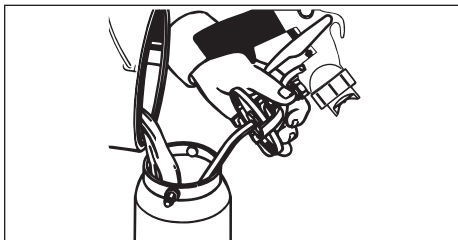


Figura 5 - Cómo llenar el depósito de pintura

- Con el siguiente procedimiento, verifique la viscosidad del material que va a rociar antes de asegurar la pistola en el depósito de pintura (Figura 6).

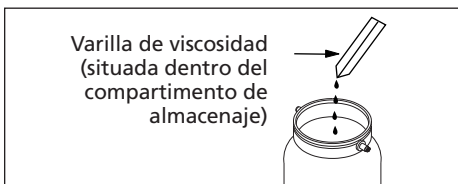


Figura 6 - Varilla de viscosidad

AVISO

La varilla de viscosidad está ubicada en el compartimento de almacenaje.

- Sumerja la varilla de viscosidad en el material. Retire la varilla del depósito. Espere hasta que el flujo de material se convierta en gotas.
 - Calcule el intervalo de tiempo entre las tres primeras gotas. El tiempo variará según la densidad (viscosidad) del material.
 - El material está adecuadamente diluido si el intervalo de tiempo es de aproximadamente 1 segundo.
 - Como regla general, si el tiempo entre gotas es mayor de 1 segundo, el material está demasiado espeso. Añada un agente diluyente, mezcle bien y vuelva a comprobar la viscosidad adecuada.
- Para apretar y asegurar el depósito, enganche los brazos de fijación en los pasadores de retención del mismo.
 - Mueva la palanca de seguro en el sentido horario a la posición de bloqueo. (Ver Figura 7).

- Fije la manguera de aire en la conexión rápida de la pistola.

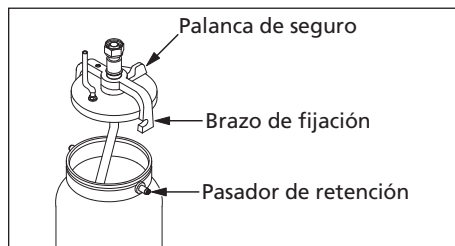


Figura 7 - Cómo fijar el depósito

Operación

Utilice siempre una superficie de práctica, tal como un cartón, para hacer trazos de prueba y regular el patrón de rociado y el flujo del material.

- Mantenga la pistola paralela y de 10,16 cm (4 pulg.) a 22,86 cm (9 pulg.) de la superficie del objeto que está siendo rociado. (Ver Figura 8). Si se regula la salida de material para un patrón angosto pequeño, puede ser necesario acercarse más a la superficie de trabajo.

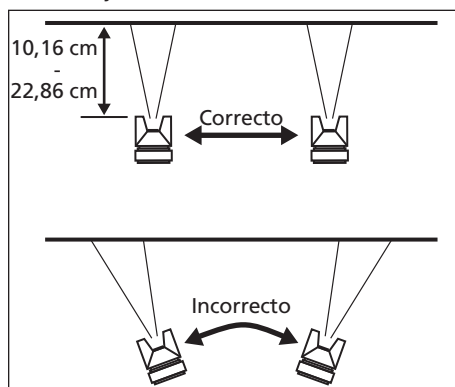


Figura 8 - Trazos de pintado

- Mueva la pistola con un trazo suave uniforme. Comience el trazo antes de presionar el gatillo y continúelo hasta después de soltarlo.
- Para mejores resultados, traslape cada trazo en un 25% a 50%.
- Para regular el patrón de rociado, gire el tapón de aire a la posición del patrón deseado (ver Figura 9).
- Para regular el flujo de material, gire la perilla de control de material en sentido horario para disminuir y en sentido antihorario para aumentar (ver Figura 10).

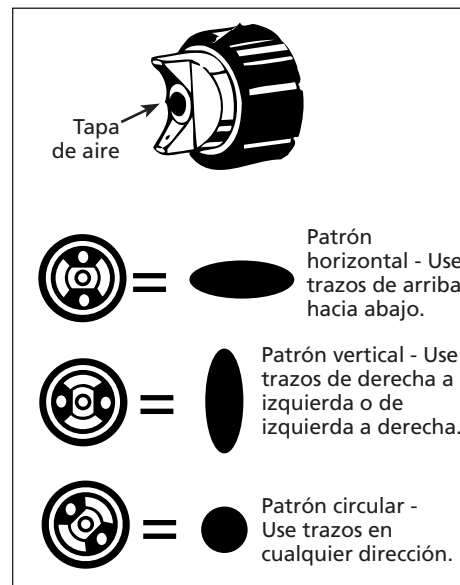


Figura 9 - Cómo regular el patrón de rociado

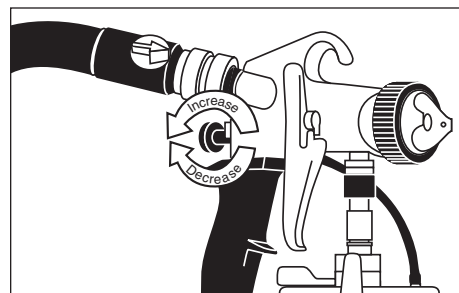


Figura 10 - Cómo regular el flujo de material

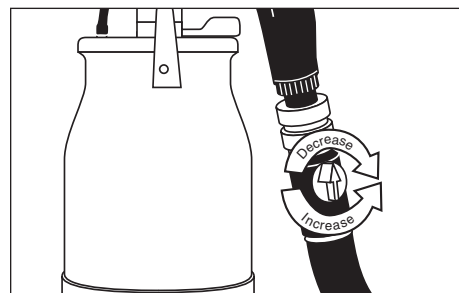


Figura 11 - Cómo regular el flujo de aire

- Para una regulación de patrón fino, gire la perilla de control de flujo de aire en sentido horario para disminuir dicho flujo y en sentido antihorario para aumentarlo (ver Figura 11).

NOTA: La reducción del flujo de aire disminuirá el sobrerociado.

AVISO

Puede utilizarse el aire de la turbina para secar zonas con demasiado recubrimiento o lentas en secar.

Operación (Continuación)

El aire de la turbina está tibio como resultado de la operación normal. La calidad del acabado puede ser afectada en días calurosos y secos debido al secado prematuro de algunos revestimientos como la laca. Añada agentes retardantes a los materiales para evitar el secado prematuro. Consulte con el proveedor del material respecto al agente retardante y los procedimientos de mezcla adecuados.

CÓMO ROCIAR CON LACA

ADVERTENCIA La laca es un material inflamable.

Cuando se rocíe con laca, deben observarse precauciones especiales de manipulación.

- Cuando esté rociando, mantenga los vapores lejos de la turbina.
- Úsela en un área altamente ventilada. Abra todas las ventanas y puertas. Utilice ventiladores para aumentar el flujo de aire.
- Coloque la turbina de HVLP a su máxima distancia del área de rociado.
- No rocíe en la dirección de la turbina de HVLP.
- No rocíe sobre superficies calientes.
- No rocíe hacia una chispa o carga eléctrica.

Mantenimiento

LIMPEZA

(REFIÉRASE A LA FIGURA 2 PARA LAS ILUSTRACIONES DE LAS PIEZAS)

ADVERTENCIA Cuando use solventes, verifique que el área de trabajo está bien ventilada. Deseche todos los materiales adecuadamente según los reglamentos locales.

1. Retire y ponga a un lado la perilla de control de material, el resorte y la aguja. (Presione el gatillo para ayudar a remover la aguja).

AVISO La remoción de la aguja antes de retirar la boquilla, impedirá que se dañe la aguja.

2. Destornille y retire el aro de retención, el tapón de aire, el aro de flujo de aire y el resorte del tapón de aire. Use la llave provista para retirar la boquilla. Es posible que el resorte del tapón de aire no necesite limpieza.
3. Coloque el aro de retención, el tapón de aire, el aro de flujo de aire y el depósito de pintura en un balde u otro recipiente apropiado. Remoje en un solvente adecuado, o en agua y jabón si se utilizó látex. Para limpiar la pistola, vierta el solvente por el tubo de material hasta que la solución se aclare (ver Figura 12).

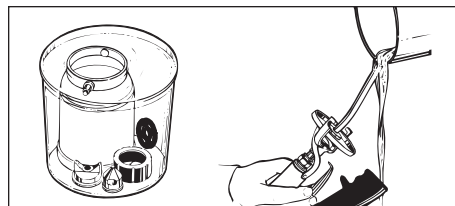


Figura 12 - Cómo limpiar las piezas de la pistola de rociar

ADVERTENCIA Nunca rocíe el solvente puro con la pistola.

4. Utilice una brocha de limpieza (saturada con solvente) para limpiar el tubo y la boquilla de material (ver Figura 13).

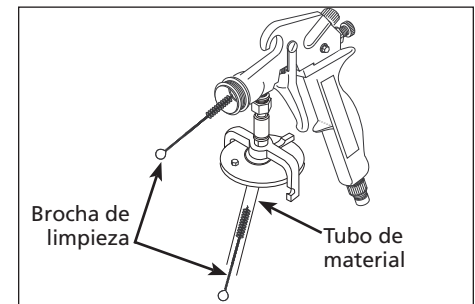


Figura 13 - Cómo limpiar el tubo de material

5. Repita el procedimiento de limpieza desde el extremo de la boquilla de la pistola.
6. Cuando se haya limpiado minuciosamente la pistola y todas las piezas, use la manguera de la turbina para secar las piezas y los pasos de fluido. El secado completo antes del rearmado impide la contaminación durante la siguiente operación de la unidad, a la vez que inhibe la oxidación de los componentes internos de la pistola.
7. Reinstale los componentes en orden inverso al del desmontaje. Siempre instale la boquilla antes de la aguja para impedir que ésta se dañe.

AVISO Los cuatro bultos protuberantes en el aro de flujo de aire deben estar orientados hacia adelante cuando se realice el montaje.



Guía de Diagnóstico de Problema

Síntoma	Posible causa	Acción correctiva
El material no fluye	<ol style="list-style-type: none"> 1. Boquilla o tapón de aire obstruidos 2. Tubo de presión o conexiones atoradas en el depósito de pintura 3. Pistola atorada 4. Tubo de material obstruido 5. La junta del depósito tiene fugas 6. Material no mezclado debidamente o indebidamente filtrado 	<ol style="list-style-type: none"> 1. Desmonte y limpie 2. Desmonte y limpie (puede usar un alfiler recto para limpiar las conexiones) 3. Desmonte y limpie 4. Desmonte y limpie la pistola y la válvula de retención 5. Revise la junta del depósito, la tapa del depósito y limpie o cambie según sea necesario 6. Cuele la pintura
Flujo lento del material	<ol style="list-style-type: none"> 1. Material muy espeso 2. Regulación inadecuada del material 3. Aguja o boquilla incorrectas 4. Filtro de aire obstruido 5. Material no mezclado debidamente o incorrectamente filtrado 6. Material muy frío 	<ol style="list-style-type: none"> 1. Limpie el tubo de material, la pistola y conexiones, y después diluya el material 2. Regule la perilla de control de material 3. Refiérase a la tabla de aplicación de material para la aguja o boquilla correctas 4. Remueva y cambie el filtro de aire 5. Cuele la pintura 6. Suba la temperatura del material a 15°C (60°F)
Fuga de material	<ol style="list-style-type: none"> 1. Depósito o pistola dañados 2. Empaque flojo 3. Empaque gastado o dañado 4. Junta de depósito gastada o dañada 5. Conexiones de depósito flojas 6. Boquilla floja 7. Conjunto incorrecto de aguja y boquilla 8. Aguja dañada 9. Perilla de control de material floja 10. La junta del depósito tiene fugas 	<ol style="list-style-type: none"> 1. Revise el depósito y la pistola y cambie las piezas dañadas 2. Ajuste la tuerca de empaque 3. Remueva y cambie 4. Remueva y cambie 5. Ajuste 6. Ajuste 7. Refiérase a la tabla de aplicación de material para la aguja o boquilla correctas 8. Cambie 9. Ajuste debidamente girándola en sentido horario 10. Limpie y seque antes de usar
El rociado no se cierra	<ol style="list-style-type: none"> 1. Aguja sucia 2. Empaque muy ajustado 3. Perilla de control de material floja 	<ol style="list-style-type: none"> 1. Limpie o cambie la aguja 2. Ajuste la tuerca de empaque 3. Ajuste
Rociado pulsante	<ol style="list-style-type: none"> 1. Fuga en junta del depósito o en válvula de retención 2. El empaque no está debidamente ajustado 3. Conexiones flojas en el depósito o en la pistola 4. Aro de retención flojo 5. Boquilla floja 6. Aro de flujo de aire dañado 7. Material no mezclado debidamente o incorrectamente filtrado 	<ol style="list-style-type: none"> 1. Desmonte y limpie 2. Ajuste la tuerca de empaque o cambie el empaque 3. Ajuste 4. Ajuste 5. Ajuste 6. Cambie 7. Cuele la pintura
Excesivo sobrerociado	<ol style="list-style-type: none"> 1. Material muy delgado 2. Flujo excesivo de aire 3. Aguja o boquilla incorrectas 4. La pistola está muy lejos de la superficie de trabajo 5. El viento sopla el rociado 6. Flujo excesivo de material 7. Material no mezclado debidamente o incorrectamente filtrado 	<ol style="list-style-type: none"> 1. Revise la viscosidad del material (añada material sin diluir) 2. Ajuste el flujo de aire 3. Refiérase a la tabla de aplicación de material para la aguja o boquilla correctas 4. Acerque la pistola a la superficie de trabajo 5. Cubra el área 6. Ajuste la perilla de control de flujo de material 7. Cuele la pintura

Guía de Diagnóstico de Problema (Continuación)

Síntoma	Posible causa	Acción correctiva
Rociado no es uniforme (goterones)	<ol style="list-style-type: none"> 1. Material muy espeso 2. Conjunto de aguja y boquilla incorrectas 3. Junta de depósito con fugas 4. Empaque flojo 5. Material no mezclado debidamente o incorrectamente filtrado 	<ol style="list-style-type: none"> 1. Verifique la viscosidad del material (diluya según instrucciones) 2. Cambie la aguja o boquilla correctas 3. Ajuste el depósito, cambie la junta o la válvula de retención 4. Ajuste o cambie el empaque 5. Cuele la pintura
Patrón deficiente	<ol style="list-style-type: none"> 1. Acumulación de material en la boquilla o el tapón de aire 2. Boquilla o aguja gastadas 3. Tapón de aire obstruido 4. Material no mezclado debidamente o incorrectamente filtrado 	<ol style="list-style-type: none"> 1. Limpie la boquilla y el tapón de aire 2. Cambie 3. Limpie 4. Cuele la pintura
Recalentamiento	Filtro obstruido	Cambie
Flujo de aire deficiente	<ol style="list-style-type: none"> 1. Filtro obstruido 2. El control del flujo de aire no está debidamente ajustado 	<ol style="list-style-type: none"> 1. Cambie el filtro 2. Ajuste el control del flujo de aire
La punta de rociado se obstruye	<ol style="list-style-type: none"> 1. Ajuste incorrecto del flujo de material 2. La junta del depósito tiene fugas 3. Aguja o boquilla incorrectas 	<ol style="list-style-type: none"> 1. Ajuste el control de material 2. Cambie la junta del depósito 3. Cambie la aguja o boquilla correctas

Guía de Diagnóstico de Problema - Calidad del Acabado

Síntoma	Posible causa	Acción correctiva
Cáscara de naranja (aparición de ondulación áspera semejante a una cáscara de naranja real)	<ol style="list-style-type: none"> 1. El material se está secando muy rápido 2. Pistola muy lejos de la superficie 3. Material muy espeso 	<ol style="list-style-type: none"> 1. Use un solvente más lento o añada un agente retardante 2. Acerque la pistola a la superficie 3. Diluya el material según las instrucciones de cómo hacer menos densos los materiales
Chorreos y depresiones	<ol style="list-style-type: none"> 1. Material muy diluido 2. La pistola se está moviendo muy lentamente 3. Flujo excesivo de material 4. Pistola muy cerca de la superficie 	<ol style="list-style-type: none"> 1. Añada material para aumentar el espesor 2. Mueva la pistola más rápido 3. Gire la perilla de control de material en sentido horario para reducir el flujo 4. Aleje más la pistola de la superficie
Picaduras y burbujas de solvente	<ol style="list-style-type: none"> 1. Solventes atrapados 2. Sedimentación del pigmento 3. Contaminación del sistema 	<ol style="list-style-type: none"> 1. Aplique el material en capas más ligeras dando tiempo a que se evaporen los solventes 2. Material posiblemente malo 3. Limpie minuciosamente todas las piezas
Ojo de pescado	Posible contaminación con silicona	Utilice solvente para limpiar todas las piezas y superficies de trabajo
Ampollas	<ol style="list-style-type: none"> 1. Humedad en la superficie o sobre ella 2. Los recubrimientos superiores o inferiores son incompatibles 	<ol style="list-style-type: none"> 1. Seque la superficie 2. Asegure que los recubrimientos sean compatibles
Superficie tosca, con bultos	Suciedad en la superficie	Limpie minuciosamente la superficie
Superficie moteada	<ol style="list-style-type: none"> 1. Demasiado solvente 2. Técnica deficiente de rociado 	<ol style="list-style-type: none"> 1. Disminuya el solvente 2. Refiérase a "Operación" para las instrucciones de rociado

AVISO

- Las condiciones del clima pueden ocasionar resultados insatisfactorios cuando se rocían algunos recubrimientos.
- La humedad alta prolonga los tiempos de fraguado y saneamiento.
- Las temperaturas altas disminuyen los tiempos de fraguado y saneamiento.
- Las temperaturas frías extienden los tiempos de fraguado y saneamiento.
- Las variaciones de temperatura y humedad pueden causar variaciones en la calidad del acabado.
- Los fabricantes de recubrimientos pueden recomendar aditivos para resolver algunos de estos problemas y se les debe contactar para ayuda en la solución de problemas particulares.

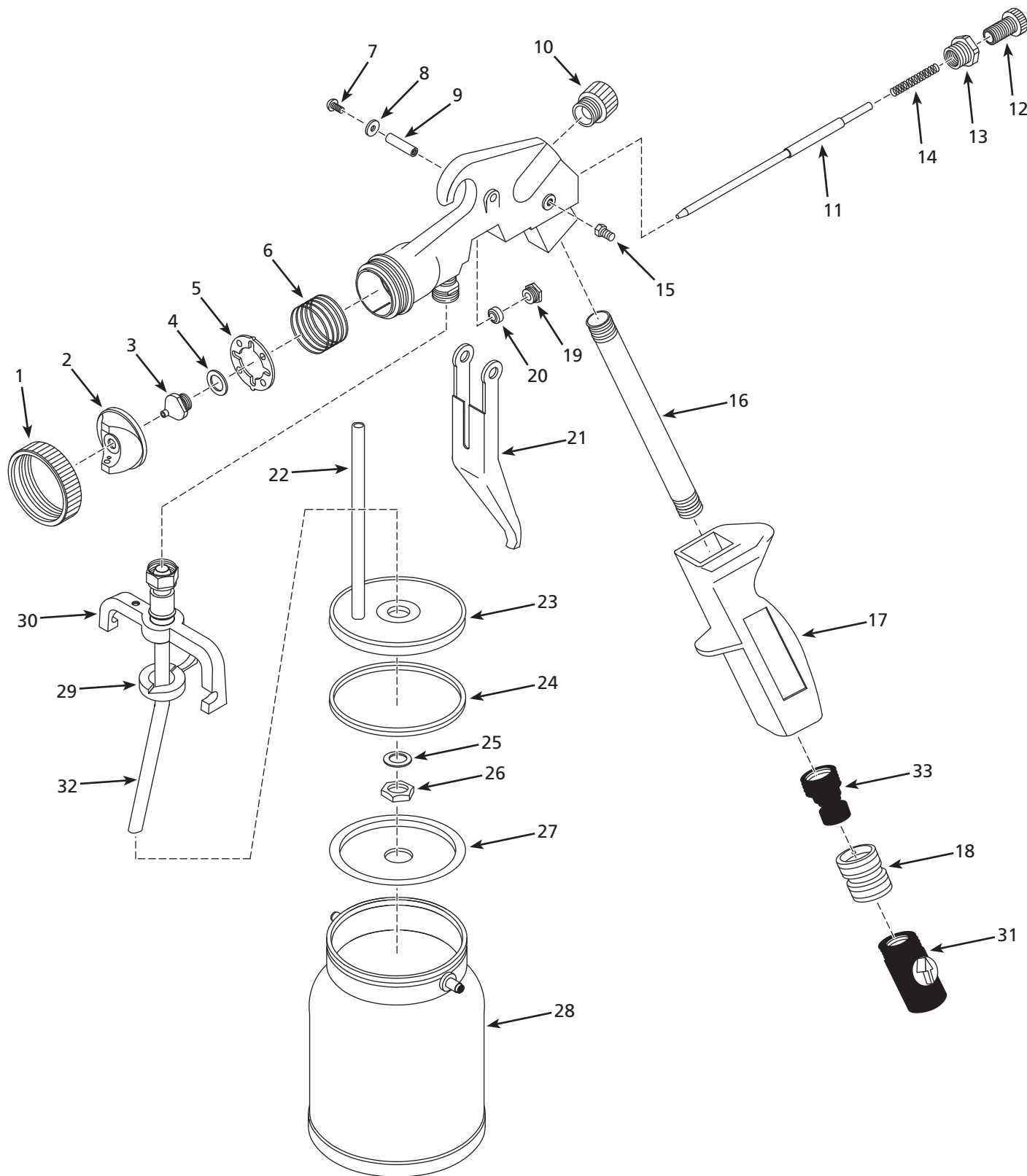
Para ordenar repuestos, llame al 1-800-626-4401

Sírvase proporcionar la siguiente información:

- Número del modelo
- Número de serie (si lo hubiera)
- Descripción y número del repuesto, tal como aparece en la lista de repuestos

Dirija la correspondencia sobre repuestos a:

Campbell Hausfeld
Attn: Parts Department
100 Production Drive
Harrison, OH 45030 U.S.A.



Lista de Repuesto

No. de. Ref.	Descripción	Número de pieza	Ctd.
1	Aro de retención	HV104504AV	1
2	Tapón de aire	HV104505AV	1
3	Juego de boquilla de 1,00 mm	▶	1
4	Empaquetadura de boquilla	HV104524AV	1
5	Aro de flujo de aire	HV104511AV	1
6	Resorte de tapón de aire	HV104512AV	1
7	Tornillo	■	2
8	Arandela de gatillo	■	2
9	Pasador de gatillo	■	1
10	Tapón de abertura	HV104000AV	1
11	Aguja de 1,00 mm	▶	1
12	Perilla de ajuste de material	HV104502AV	1
13	Inserto de ajustador	HV104503AV	1
14	Resorte de aguja	HV104513AV	1
15	Accesorio de tubo de presión	HV004700AV	2
16	Tubo del mango	HV104501AV	1
17	Mango	HV103800AV	1
18	Accesorio de conexión rápida hembra	HV002200AV	1
19	Tuerca de empaque	HV104515AV	1
20	Empaque	HV104514AV	1
21	Gatillo	HV104507AV	1
22	Tubo de presión	HV006201AV ▲	1
23	Tapa del depósito	DH962100AV ▲	1
24	Junta del depósito	SK206401SJ ▲	3
25	Arandela de nylon	ST077903AV ▲	1
26	Tuerca del depósito	DH077800AV ▲	1
27	Válvula de retención	HV004400AV ▲	1
28	Depósito	DH077900AV ▲	1
29	Palanca	DH962400AV ▲	1
30	Conjunto de yugo	DH077400AV ▲	1
31	Válvula de control de aire	HV011301SV	1
32	Conjunto de tubo de material	DH077300AV ▲	1
33	Accesorio de conexión rápida macho	HV103900AV	1
34	Llave (no mostrada)	HV104525AV	1

JUEGOS DE REPUESTO

▲	Conjunto de depósito	HV011401AJ
●	Juego de aguja y boquilla de 0,75 mm	A5218/A5206
■	Kit de clavija del gatillo	HV104526AJ
▶	Juego de aguja/boquilla de 1.00 mm	HV104521SV

¡REGISTRE SU PRODUCTO EN LÍNEA AHORA MISMO!

<http://www.campbellhausfeld.com>

Garantía Limitada

1. DURACIÓN: A partir de la fecha de compra por parte del comprador original, es como sigue: un (1) año.
2. QUIÉN EMITE ESTA GARANTÍA (EL GARANTE): Campbell Hausfeld/Una Empresa Scott Fetzer, 100 Production Drive, Harrison, Ohio, 45030, Teléfono: 1-800-626-4401.
3. QUIÉN RECIBE ESTA GARANTÍA (EL COMPRADOR): El comprador original (que no sea para fines de reventa o alquiler) del producto de Campbell Hausfeld.
4. QUÉ PRODUCTOS ESTÁN AMPARADOS POR ESTA GARANTÍA: Esta pistola de rociar de HVLP Campbell Hausfeld.
5. QUÉ ES LO QUE CUBRE ESTA GARANTÍA: Defectos de material y mano de obra que ocurran dentro del período de duración de la garantía. El garante también cubrirá artículos de desgaste normal por un período de 30 días a partir de la fecha de compra original, contra defectos de material y mano de obra. Estos artículos de desgaste son: filtros de HVLP, escobillas de motor, empaque de la pistola, sello del depósito de la pistola, válvula de retención de la pistola y el aro de flujo de aire de la pistola; válvula de admisión sin aire, válvula de salida, válvula de pistola, filtros, boquillas, todas las juntas y los anillos en "O".
6. QUÉ ES LO QUE NO CUBRE ESTA GARANTÍA:
 - A. Las garantías implícitas, incluyendo las de comercialización E IDONEIDAD PARA UN PROPÓSITO ESPECÍFICO, TIENEN UN LÍMITE DE UN AÑO A PARTIR DE LA FECHA DE COMPRA ORIGINAL, TAL COMO SE ESTABLECE EN LA "DURACIÓN". Si un producto de servicio normal se utiliza para fines comerciales o industriales, la garantía regirá por noventa (90) días a partir de la fecha de compra original. Si el producto se usa para fines de alquiler, la garantía regirá por noventa (90) días desde la fecha de compra original. Algunos estados no permiten la limitación de la duración de una garantía implícita, de modo que estas restricciones tal vez no rijan para Ud.
 - B. CUALQUIER PÉRDIDA, DAÑO O GASTO EMERGENTE, INDIRECTO O DERIVADO QUE PUEDA RESULTAR DE CUALQUIER DEFECTO, FALLA O DESPERFECTO DEL PRODUCTO DE CAMPBELL HAUSFELD. Algunos estados no permiten la exclusión o limitación de daños emergentes o consecuentes, por lo que la limitación arriba mencionada podría no regir para Ud.
 - C. Cualquier falla resultante de un accidente, mal uso, negligencia u omisión en operar el producto conforme a las instrucciones contenidas en el manual o manuales del propietario, suministrados con el producto. El accidente, mal uso del comprador, negligencia u omisión en operar los productos de acuerdo a las instrucciones incluirán también la remoción o alteración de cualquier dispositivo de seguridad. Si tales dispositivos de seguridad son removidos o alterados, esta garantía no tendrá validez.
 - D. Ajustes normales que se explican en el manual del propietario suministrado con el producto.
 - E. Artículos o servicios normalmente requeridos para mantener el producto: filtros de HVLP, escobillas de motor, empaque de la pistola, sello del depósito de la pistola, válvula de retención de la pistola, y el aro de flujo de aire de la pistola; válvula de admisión sin aire, válvula de salida, válvula de pistola, filtros, boquillas, todas las juntas y los anillos en "O" o cualquier otra pieza consumible no indicada específicamente, serán cubiertos solamente durante 30 días desde la fecha de compra original.
7. RESPONSABILIDADES DEL GARANTE EN VIRTUD DE ESTA GARANTÍA: Reparar o reemplazar, a opción del garante, los productos o componentes que sean defectuosos, hayan funcionado mal o que no estén conformes dentro del período de garantía.
8. RESPONSABILIDADES DEL COMPRADOR EN VIRTUD DE ESTA GARANTÍA:
 - A. Proporcionar prueba de fecha de la compra y registros de mantenimiento.
 - B. Llame a Campbell Hausfeld (800-626-4401) por sus opciones de servicio incluidas en la garantía. Los costos de flete correrán por cuenta del comprador.
 - C. Ejercer cuidado razonable en la operación y mantenimiento del producto descrito en el (los) manual(es) del propietario.
9. CUÁNDO EFECTUARÁ EL GARANTE LA REPARACIÓN O REEMPLAZO AL AMPARO DE ESTA GARANTÍA:
 - A. La reparación o el reemplazo se programarán de acuerdo al flujo normal de trabajo en el centro de servicio, dependiendo de la disponibilidad de piezas de repuesto.
 - B. Si el comprador no obtiene resultados satisfactorios de un Centro de Servicio Autorizado, el comprador debe contactar al Departamento de Servicio al Cliente de Campbell Hausfeld (ver párrafo 2).

Esta garantía limitada se aplica en los Estados Unidos y Canadá y sólo le otorga derechos legales específicos, pudiendo también asistirle otros derechos, los cuales varían de un estado a otro o de un país a otro.