

Please read and save these instructions. Read carefully before attempting to assemble, install, operate or maintain the product described. Protect yourself and others by observing all safety information. Failure to comply with instructions could result in personal injury and/or property damage! Retain instructions for future reference.

Stationary Air Compressor

Table of Contents

Description	1
Unpacking	1
Safety Guidelines	1
General Safety Information	1
Introduction	3
Installation	3
Assembly	5
Operation	6
Maintenance	6
Troubleshooting Chart	8
Warranty	10

Description

Air compressor units are intended to provide compressed air to power pneumatic tools and operate spray guns. The pumps supplied are oil lubricated. A small amount of oil carryover is present in the compressed air stream. Applications requiring air free of oil or water should have the appropriate filter installed. The air compressor unit must be mounted as described in the instructions on a solid floor. Any other use of these units will void the warranty and the manufacturer will not be responsible for problems or damages resulting from such misuse.

Unpacking

After unpacking the unit, inspect carefully for any damage that may have occurred during transit. Make sure to tighten fittings, bolts, etc., before putting unit into service.

READ & FOLLOW ALL INSTRUCTIONS
SAVE THESE INSTRUCTIONS
DO NOT DISCARD

Safety Guidelines

This manual contains information that is very important to know and understand. This information is provided for SAFETY and to PREVENT EQUIPMENT PROBLEMS. To help recognize this information, observe the following symbols.

▲ DANGER *Danger indicates an imminently hazardous situation which, if not avoided, WILL result in death or serious injury.*

▲ WARNING *Warning indicates a potentially hazardous situation which, if not avoided, COULD result in death or serious injury.*

▲ CAUTION *Caution indicates a potentially hazardous situation which, if not avoided, MAY result in minor or moderate injury.*

NOTICE *Notice indicates important information, that if not followed, may cause damage to equipment.*
NOTE: Information that requires special attention.

General Safety Information

CALIFORNIA PROPOSITION 65

▲ WARNING *This product or its power cord may contain chemicals known to the State of California to cause cancer and birth defects or other reproductive harm. Wash hands after handling.*

▲ WARNING *You can create dust when you cut, sand, drill or grind materials such as wood, paint, metal, concrete, cement, or other masonry. This dust often contains chemicals known to cause cancer, birth defects, or other reproductive harm. Wear protective gear.*



▲ DANGER

Breathable Air Warning
This compressor/pump is NOT equipped and should NOT be used "as is" to supply breathing quality air. For any application of air for human consumption, you must fit the air compressor/pump with suitable in-line safety and alarm equipment. This additional equipment is necessary to properly filter and purify the air to meet minimal specifications for Grade D breathing as described in Compressed Gas Association Commodity Specification G 7.1, OSHA 29 CFR 1910. 134, and/or Canadian Standards Associations (CSA).

DISCLAIMER OF WARRANTIES
In the event the compressor is used for the purpose of breathing air application and proper in-line safety and alarm equipment is not simultaneously used, existing warranties are void, and the Manufacturer disclaims any liability whatsoever for any loss, personal injury or damage.

GENERAL SAFETY

Since the air compressor and other components (material pump, spray guns, filters, lubricators, hoses, etc.) used, make up a high pressure pumping system, the following safety precautions must be observed at all times:

1. Read all manuals included with this product carefully. Be thoroughly familiar with the controls and the proper use of the equipment.



REMINDER: Keep your dated proof of purchase for warranty purposes!
Attach it to this manual or file it for safekeeping.

General Safety Information (Continued)

2. Follow all local electrical and safety codes as well as in the United States, the National Electrical Codes (NEC) and Occupational Safety and Health Act (OSHA).
3. Only persons well acquainted with these rules of safe operation should be allowed to use the compressor.
4. Keep visitors away and NEVER allow children in the work area.

5. Wear safety glasses and use hearing protection when operating the unit.



6. Do not stand on or use the unit as a handhold.
7. Before each use, inspect compressed air system and electrical components for signs of damage, deterioration, weakness or leakage. Repair or replace defective items before using.
8. Check all fasteners at frequent intervals for proper tightness.

⚠ WARNING *Motors, electrical equipment and controls can cause electrical arcs that will ignite a flammable gas or vapor. Never operate or repair in or near a flammable gas or vapor. Never store flammable liquids or gases in the vicinity of the compressor.*



⚠ WARNING *Never operate compressor without a beltguard. This unit can start automatically without warning. Personal injury or property damage could occur from contact with moving parts.*



9. Do not wear loose clothing or jewelry that will get caught in the moving parts of the unit.

⚠ CAUTION

Compressor parts may be hot even if the unit is stopped.



10. Keep fingers away from a running compressor; fast moving and hot parts will cause injury and/or burns.
11. If the equipment should start to vibrate abnormally, STOP the engine/motor and check immediately for the cause. Vibration is generally a warning of trouble.
12. To reduce fire hazard, keep engine/motor exterior free of oil, solvent, or excessive grease.

⚠ WARNING

An ASME code safety relief valve with a setting no higher than 150 psi MUST be installed in the tank for this compressor. The ASME safety valve must have sufficient flow and pressure ratings to protect the pressurized components from bursting.

⚠ CAUTION

See compressor specification decal for maximum operating pressure. Do not operate with pressure switch or pilot valves set higher than the maximum operating pressure.

13. Never attempt to adjust ASME safety valve. Keep safety valve free from paint and other accumulations.

⚠ WARNING

Never use plastic (PVC) pipe for compressed air. Serious injury or death could result.

⚠ DANGER

Never attempt to repair or modify a tank! Welding, drilling or any other modification will weaken the tank resulting in damage from rupture or explosion. Always replace worn, cracked or damaged tanks.



NOTICE

Drain liquid from tank daily.

14. Tanks rust from moisture build-up, which weakens the tank. Make sure to drain tank regularly and inspect periodically for unsafe conditions such as rust formation and corrosion.
15. Fast moving air will stir up dust and debris which may be harmful. Release air slowly when draining moisture or depressurizing the compressor system.

SPRAYING PRECAUTIONS

⚠ WARNING

Do not spray flammable materials in vicinity of open flame or near ignition sources including the compressor unit.



16. Do not smoke when spraying paint, insecticides, or other flammable substances.
17. Use a face mask/ respirator when spraying and spray in a well ventilated area to prevent health and fire hazards.
18. Do not direct paint or other sprayed material at the compressor. Locate compressor as far away from the spraying area as possible to minimize overspray accumulation on the compressor.
19. When spraying or cleaning with solvents or toxic chemicals, follow the instructions provided by the chemical manufacturer.



Introduction

Refer to Figure 1.

INSTALLING A SHUT-OFF VALVE

A shut-off valve should be installed on the discharge port of the tank to control the air flow out of the tank. The valve should be located between the tank and the piping system.

Pressure switch - Auto/Off Switch - In the "auto" position, the compressor shuts off automatically when tank pressure reaches the maximum preset pressure. After air is used from the tank and drops to a preset low level, the pressure switch automatically turns the motor back on. In the "off" position, the compressor will not operate. This switch should be in the "off" position when connecting or disconnecting the power cord from the electrical outlet.

When the pressure switch turns the motor off you will hear air leaking out of the pressure switch unloader valve for a short time. This releases the air pressure from the discharge tube and allows the compressor to restart easier.

For units without a manual switch, whenever the procedures call for turning the switch to the OFF position, use the switch at the disconnect instead.

Regulator - The regulator controls the amount of air pressure released at the hose outlet (Sold separately).

ASME Safety Valve - This valve automatically releases air if the tank pressure exceeds the preset maximum.

Discharge tube - This tube carries compressed air from the pump to the check valve. This tube becomes very hot during use. To avoid the risk of severe burns, never touch the discharge tube.

Check valve - One-way valve that allows air to enter the tank, but prevents air in the tank from flowing back into the compressor pump.

Belt Guard - Covers the belt, motor pulley and flywheel.

Tank Drain Valve - This valve is located on the bottom of the tank. Use this valve to drain moisture from the tank daily to reduce the risk of corrosion.

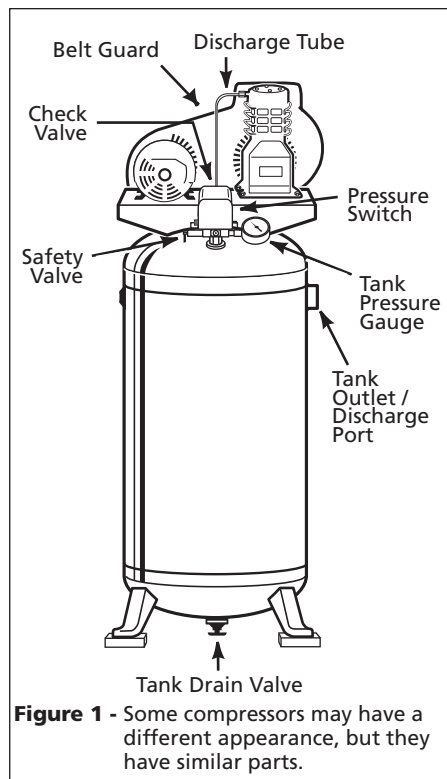


Figure 1 - Some compressors may have a different appearance, but they have similar parts.

Installation

⚠ WARNING

Disconnect, tag and lock out power source, then release all pressure from the system before attempting to install, service, relocate or perform any maintenance.



LOCATION

NOTICE

This compressor is not intended for outdoor installation.

It is extremely important to install the compressor in a clean, well ventilated area where the surrounding air temperature will not be more than 100°F.

Provide a minimum clearance of 18 inches between the compressor flywheel or fan to the wall and ensure clear access to the drain valve to facilitate condensate drainage.

Do not locate the compressor air inlet near steam, paint spray, sandblast areas or any other source of contamination.

MOUNTING

⚠ CAUTION

Never use the wood shipping skids for mounting the compressor.

FLOOR MOUNTING (ALL UNITS)

The compressor feet **MUST** be bolted to a flat, even, concrete floor or separate concrete foundation. Vibration isolators **must be** used between the tank leg and the floor (Part number MP346100AJ available separately). Do not draw bolts tight. Allow the pads to absorb vibrations. A flexible coupling should be installed between the tank and service piping.

⚠ WARNING

This compressor is extremely top heavy. The unit must be bolted to the floor with isolation pads before operating to prevent equipment damage, injury or death.

⚠ WARNING

Never install a shut-off valve between the compressor pump and the tank. Personal injury and/or equipment damage may occur.

PIPING

⚠ WARNING

Never use plastic (PVC) pipe for compressed air. Serious injury or death could result.

Any tube, pipe, or hose used must have a pressure rating higher than 150 psi. Minimum recommended pipe size:

- up to 50 feet long use 1/2 inch
 - greater than 50 feet long use 3/4 inch
- Larger diameter pipe is always better.

Installation (Continued)

Electrical Installation

⚠ WARNING *All wiring and electrical connections must be performed by a qualified electrician familiar with industrial motor controls. Installations must be in accordance with local and national codes.*



⚠ WARNING

Disconnect, tag and lock out power source, then release all pressure from the system before attempting to install, service, relocate or perform any maintenance.



⚠ WARNING

Overheating, short circuiting and fire damage will result from inadequate wiring.

GROUNDING

This product must be grounded. If the unit comes with a factory installed cord, plug the cord into a properly sized, grounded outlet. For units that do not have a factory installed cord, install permanent wiring from the electrical source to the pressure switch with a ground conductor connected to the grounding screw on the pressure switch. A properly sized cord with a ground conductor and plug may also be installed by the user.

⚠ DANGER

Improperly grounded motors are shock hazards. Make sure all the equipment is properly grounded.



WIRING

Local electrical wiring codes differ from area to area. Source wiring, plug and protector must be rated for at least the amperage and voltage indicated on the motor nameplate, and meet all electrical codes for this minimum. Use a slow blow fuse type T or a circuit breaker.

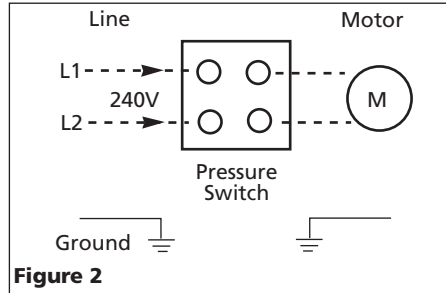


Figure 2

NOTICE

Damage to the motor from improper electrical voltage or connection will void the warranty.

You will need the following for proper installation:

1. A 240 Volt double pole circuit breaker.

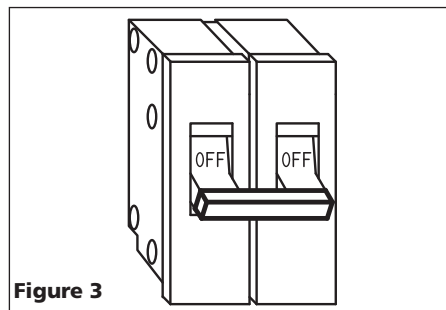


Figure 3

2. A voltage meter.

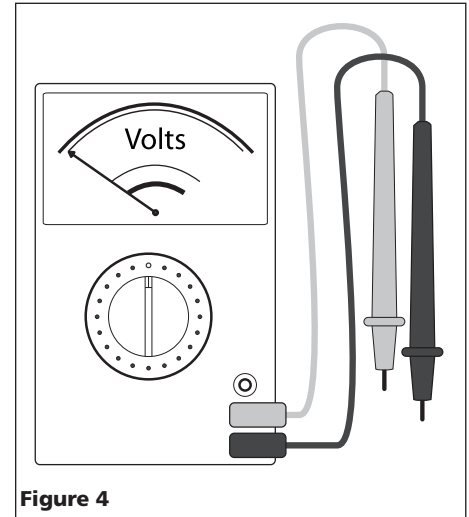


Figure 4

Minimum wire sizes (most meet all codes)

Up to 75 feet long	12AWG
Greater than 75 feet	10AWG

Confirm proper voltage - must be performed by a qualified electrician.

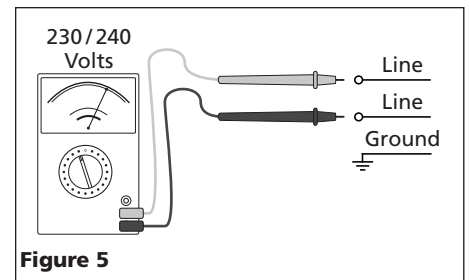


Figure 5

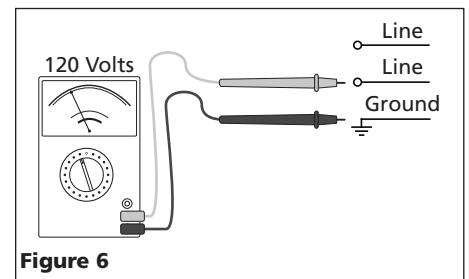


Figure 6

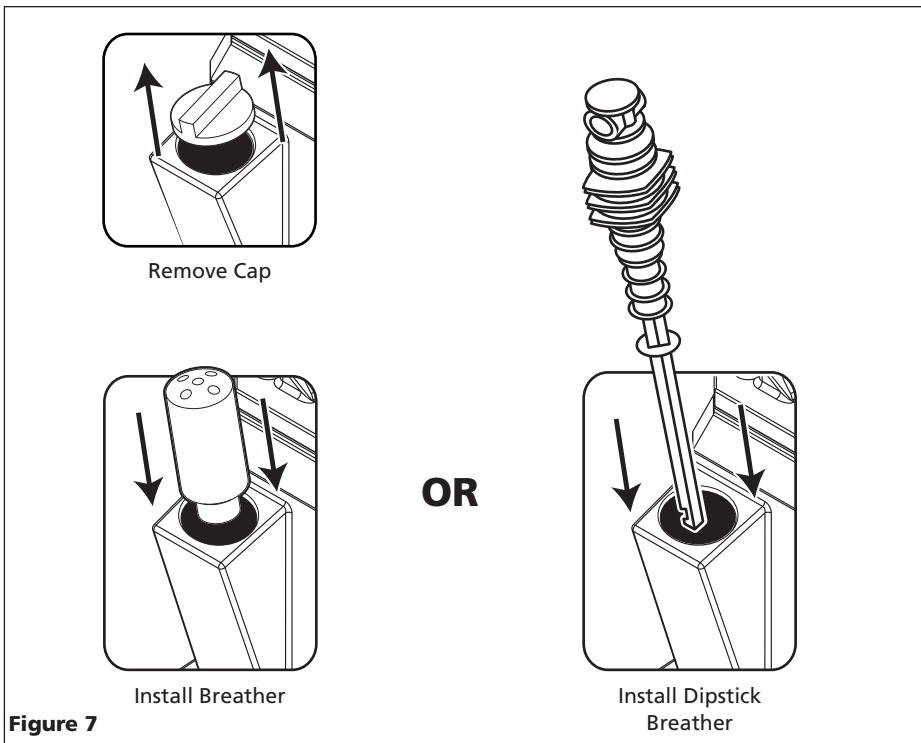


Figure 7

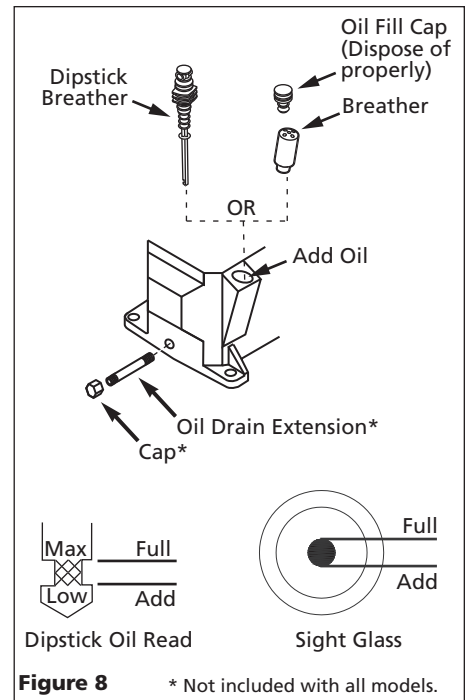


Figure 8 * Not included with all models.

Assembly

ADDITIONAL HARDWARE NEEDED

Purchase hose, regulator and shutoff valve that has a minimum rating of 150 psi and exceeds the maximum working pressure of the compressor.

BREATHER INSTALLATION

Remove cap from oil fill opening. Install breather (found in parts bag with this manual or hanging from cylinder). See Figure 7.

OIL DRAIN EXTENSION

Some models include an oil drain extension and cap (found with the owner's manual). Install the oil drain extension and cap before adding oil to the pump. To avoid oil leaks, apply pipe thread sealant or thread tape to the threads on each end of the oil drain extension. Screw the cap onto one end of the extension. Remove the oil drain plug from the base of the pump and install the oil drain extension (See Figures 8 and 9).

LUBRICATION

CAUTION CHECK FOR PROPER OIL LEVEL BEFORE OPERATING!

SOME MODELS ARE SHIPPED WITH OIL IN THE PUMP.

Ensure oil drain extension and cap has been installed (if included) then remove the breather (See Figure 8) and fill pump oil according to the chart.

See specification label on air tank for pump model number and refer to the chart for the proper oil capacity.

Pump	Approx. Oil Capacity
VT4700	8.5 oz
VH3000	32 oz

OIL

Use SAE 30 industrial grade air compressor oil or full synthetic motor oil like Mobil 1 10W30. Do not use regular automotive oil. Additives in regular motor oil can cause valve deposits and reduce pump life. For maximum pump life, drain and replace oil after the first hour of run time.

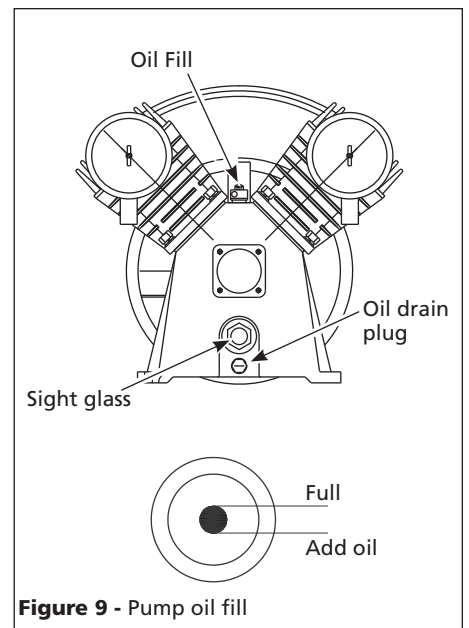


Figure 9 - Pump oil fill

Operation

START-UP / BREAK-IN PROCEDURE

CAUTION Do not attach air tools to open end of the hose until start-up is completed and the unit checks OK.

WARNING Never disconnect threaded joints with pressure in tank!

1. Remove cap from oil fill opening. Fill pump to the proper oil level (see Figure 10). Install breather (found in parts bag with this manual or hanging from cylinder).

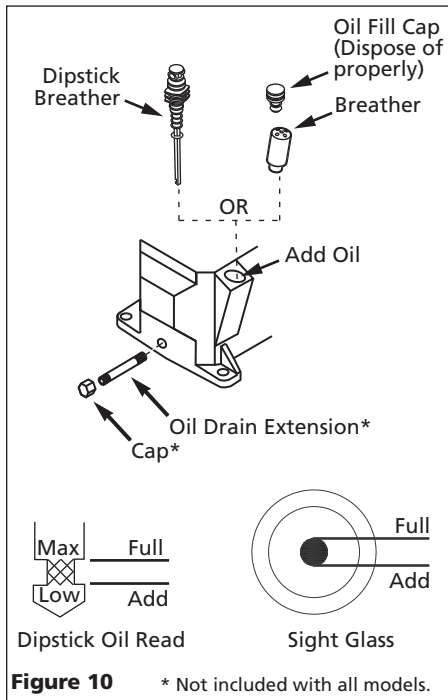


Figure 10 * Not included with all models.

MOISTURE IN COMPRESSED AIR

Moisture in compressed air will form into droplets as it comes from an air compressor pump. When humidity is high or when a compressor is in continuous use for an extended period of time, this moisture will collect in the tank. When using a paint spray or sandblast gun, this water will be carried from the tank through the hose, and out of the gun as droplets mixed with the spray material.

IMPORTANT: This condensation will cause water spots in a paint job, especially when spraying other than water based paints. If sandblasting, it will cause the sand to cake and clog the gun, rendering it ineffective.

A filter in the air line, located as near to the gun as possible, will help eliminate this moisture.

2. Open the tank drain valve. Turn outlet valve to open air flow.
3. Move pressure switch lever or knob to the OFF position and plug in power cord. Move pressure switch to the AUTO position to run the unit (see Figure 11).

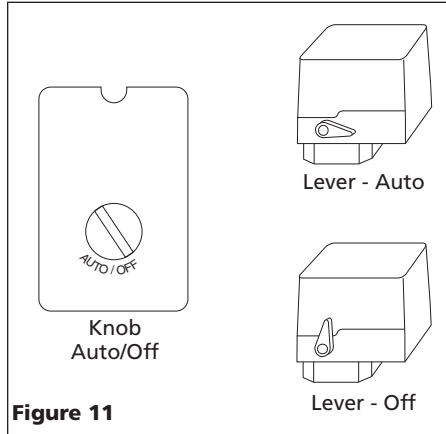


Figure 11

4. Run the unit for 30 minutes at zero (0) psi (under no load) to break in pump parts.
5. Move the pressure switch lever or knob to OFF and turn tank drain valve to shut off air flow. The compressor is now ready for use.

Maintenance

WARNING Disconnect, tag and lock out power source, then release all pressure from the system before attempting to install, service, relocate or perform any maintenance.



All repairs should be performed by an authorized service representative.

FOR EFFICIENT OPERATION:

Perform the following maintenance schedule.

1. Maintain proper oil level. Refer to Lubrication section for details.
2. Drain Tank. With compressor shut off and pressure released: Drain moisture from tank by opening drain valve underneath tank (See Figure 12).

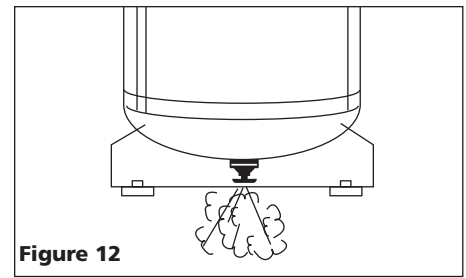


Figure 12

3. Check air filter to be sure it is clean. To service a filter, remove the filter housing cover. Remove filter and clean in hot, soapy water (Paper filters cannot be washed). Rinse and let dry. Replace air filters that cannot be cleaned. Place filter back in the housing base. Replace cover.

4. Check the safety valve by performing the following steps:

- a. Plug the compressor in and run until shut off pressure is reached (see Operating Procedure).
- b. Wearing safety glasses, pull the ring on the safety valve to release pressure from compressor tank. Protect yourself from fast-moving air being released; do not allow fast-moving air to be directed toward your face (See Figure 13).

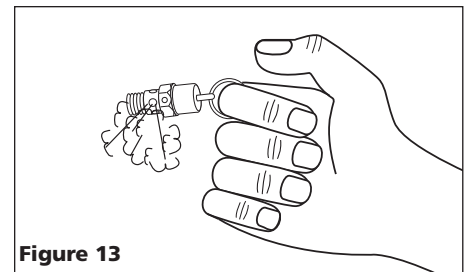


Figure 13

- c. The safety valve should automatically close at approximately 40-50 PSI. If the safety valve does not allow air to be released when you pull on the ring, or if it does not close automatically, it MUST be replaced.
5. With motor OFF and unplugged, clean debris from motor, flywheel, tank, air lines and pump cooling fins.

Maintenance (Continued)

6. Check belt for signs of excessive wear. If belt shows signs of wear, replace it. Check belt for proper tension / alignment. To adjust belt:
 - a. Remove belt guard.
 - b. Remove belt.
 - c. Loosen the four fasteners holding the motor to the baseplate.
 - d. Shift the motor in the proper direction. Tighten the four fasteners holding motor to baseplate. The belt must be properly aligned when adjustment is made.
 - e. To align belt, lay a straightedge against the face of the flywheel touching the rim at two places (See Figure 14).

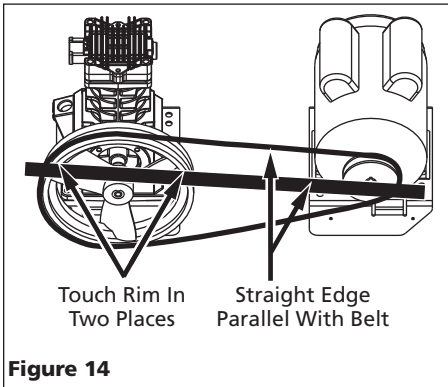


Figure 14

- f. Adjust flywheel or motor pulley so that the belt runs parallel to the straightedge (See Figure 14).
- g. If necessary, use a gear puller to move the pulley on the motor shaft. Tighten setscrew after pulley is positioned.
- h. Reattach belt.
- i. Reattach belt guard.

MAINTENANCE SCHEDULE

OPERATION	DAILY	WEEKLY	MONTHLY	3 MONTHS
CHECK OIL LEVEL	●			
DRAIN TANK	●			
CHECK AIR FILTER		●		
CHECK SAFETY VALVE		●		
CLEAN UNIT			●	
CHECK BELT TIGHTNESS			●	
CHANGE OIL				●

7. Change oil.
 - a. Allow compressor to run and warm up oil. Unplug unit.
 - b. Position a pan under pump end of unit.
 - c. Remove oil drain plug (See Figures 8 and 9). Allow oil to collect in pan.
 - d. Replace drain plug, fill pump to full level (See Figures 8 and 9). Use Mobil 1 10W-30 synthetic motor oil.

TECHNICAL SERVICE

For information regarding the operation or repair of this product, please call 1-800-543-6400.

Troubleshooting Chart

Symptom	Possible Cause(s)	Corrective Action
Low discharge pressure	<ol style="list-style-type: none"> 1. Air demand exceeds pump capacity 2. Restricted air intake 3. Air leaks (fittings, tubing on compressor, or plumbing outside of system) 4. Blown gaskets 5. Leaking or damaged valves 	<ol style="list-style-type: none"> 1. Reduce air demand or use a compressor with more capacity. 2. Clean or replace the air filter element. 3. Listen for escaping air. Apply soap solution to all fittings and connections. Bubbles will appear at points of leakage. Tighten or replace leaking fittings or connections. Use pipe thread sealant. 4. Replace any gaskets proven faulty on inspection. 5. Remove head and inspect for valve breakage, misaligned valves, damaged valve seats, etc. Replace defective parts and reassemble. <p>⚠ CAUTION <i>Install a new head gasket each time the head is removed</i></p>
Pump overheating causes air filter to melt	<ol style="list-style-type: none"> 1. Insulating gasket between filter and head is missing 2. Broken valves/blown gasket 	<ol style="list-style-type: none"> 1. Install gasket. 2. Replace valves or install new gasket.
Excessive noise (knocking)	<ol style="list-style-type: none"> 1. Loose motor pulley or flywheel 2. Loose fasteners on pump or motor 3. Lack of oil in crankcase 4. Worn connecting rod 5. Worn piston pin bores 6. Piston hitting the valve plate 7. Noisy check valve in compressor system 	<ol style="list-style-type: none"> 1. Tighten pulley / flywheel clamp bolts and set-screws. 2. Tighten fasteners 3. Check for proper oil level; if low, check for possible damage to bearings. Dirty oil can cause excessive wear. 4. Replace connecting rod. Maintain oil level and change oil more frequently. 5. Remove piston assemblies from the compressor and inspect for excess wear. Replace excessively worn piston pin or pistons, as required. Maintain oil level and change oil more frequently. 6. Remove the compressor head and valve plate and inspect for carbon deposits or other foreign matter on top of piston. Replace head and valve plate using new gasket. See Lubrication section for recommended oil. 7. Replace check valve. <p>⚠ DANGER <i>Do not disassemble check valve with air pressure in tank</i></p>
Large quantity of oil in the discharge air NOTE: In an oil lubricated compressor there will always be a small amount of oil in the air stream.	<ol style="list-style-type: none"> 1. Worn piston rings 2. Compressor air intake restricted 3. Excessive oil in compressor 4. Wrong oil viscosity 	<ol style="list-style-type: none"> 1. Replace with new rings. Maintain oil level and change oil more frequently. 2. Clean or replace filter. Check for other restrictions in the intake system. 3. Drain down to full level. 4. Use Mobil 1® 10W-30.
Water in discharge air / tank	Normal operation. The amount of water increases with humid weather	<ol style="list-style-type: none"> 1. Drain tank more often. At least daily. 2. Add a filter to reduce the amount of water in the air line.
Motor hums and runs slowly or not at all	<ol style="list-style-type: none"> 1. Low voltage 2. Too many devices on same circuit 3. Loose electrical connections 4. Malfunctioning pressure switch - contacts will not close 5. Malfunctioning check valve 6. Defective unloader valve on pressure switch 7. Defective motor capacitor(s) 8. Defective motor 	<ol style="list-style-type: none"> 1. Check incoming voltage. It should be approximately 230 volts. Motor will not run properly on 208 volts. Low voltage could be due to wires (from electrical source to compressor) being too small in diameter and / or too long. Have a qualified electrician check these conditions and make repairs as needed. 2. Limit the circuit to the use of compressor only 3. Check all electrical connections 4. Replace pressure switch. 5. Replace check valve. 6. Replace unloader valve 7. Replace capacitor(s) 8. Replace motor <p>⚠ DANGER <i>Do not disassemble check valve with air pressure in tank</i></p>

Troubleshooting Chart (Continued)

Symptom	Possible Cause(s)	Corrective Action
Reset mechanism cuts out repeatedly or circuit breaker trips repeatedly	<ol style="list-style-type: none"> Lack of proper ventilation / room temperature too high Too many devices on same circuit Restricted air intake Loose electrical connection Pressure switch shut-off pressure set too high Malfunctioning check valve 	<ol style="list-style-type: none"> Move compressor to well ventilated area Limit the circuit to the use of only the air compressor. Clean or replace filter element Check all electrical connections. Replace pressure switch. Replace check valve. ⚠ DANGER Do not disassemble check valve with air pressure in tank Replace unloader valve Replace capacitor(s) Replace motor.
Tank does not hold pressure when compressors off and the shut off valve is closed	<ol style="list-style-type: none"> Air leaks (fittings, tubing on compressor, or plumbing outside system) Worn check valve Check tank for cracks or pin holes 	<ol style="list-style-type: none"> Check all connections with soap and water solution. Tighten; or remove and apply sealant to threads, then reassemble. Replace check valve. ⚠ DANGER Do not disassemble check valve with air pressure in tank Replace tank. Never repair a damaged tank.
Pressure switch continuously blows air out the unloader valve	Malfunctioning check valve	<p>Replace the check valve if the unloader valve on the pressure switch bleeds off constantly when unit shuts off.</p> <p>⚠ DANGER Do not disassemble check valve with air pressure in tank</p>
Pressure switch does not release air when the unit shuts off	Malfunctioning unloader valve on pressure switch	<p>Replace the unloader valve if it does not release the pressure for a short period of time when the unit shuts off.</p> <p>⚠ DANGER Do not disassemble check valve with air pressure in tank</p>
Excessive vibration	<ol style="list-style-type: none"> Loose fasteners on pump or motor Belt needs replaced Belt alignment 	<ol style="list-style-type: none"> Tighten fasteners. Replace with correct size. Align flywheel and pulley.

Limited Warranty

1. **DURATION:** From the date of purchase by the original purchaser as follows: One Year, Two Years, Three Years, Four Years, or Five Years as indicated on product specification label.
 2. **WHO GIVES THIS WARRANTY (WARRANTOR):** Campbell Hausfeld / Scott Fetzer Company, 100 Production Drive, Harrison, Ohio, 45030, Telephone: (800) 543-6400
 3. **WHO RECEIVES THIS WARRANTY (PURCHASER):** The original purchaser (other than for purposes of resale) of the Campbell Hausfeld compressor.
 4. **WHAT PRODUCTS ARE COVERED BY THIS WARRANTY:** Any Campbell Hausfeld air compressor.
 5. **WHAT IS COVERED UNDER THIS WARRANTY:** Parts and Labor to remedy substantial defects due to material and workmanship during the first year of ownership with the exceptions noted below. Parts only to remedy substantial defects due to material and workmanship during remaining term of coverage with exceptions noted below.
 6. **WHAT IS NOT COVERED UNDER THIS WARRANTY:**
 - A. Implied warranties, including those of merchantability and FITNESS FOR A PARTICULAR PURPOSE ARE LIMITED FROM THE DATE OF ORIGINAL PURCHASE AS STATED IN THE DURATION. If the compressor is used for commercial, industrial or rental purposes, the warranty will apply for ninety (90) days from the date of purchase. Two-stage compressors are not limited to a ninety (90) day warranty when used in commercial or industrial applications. Some States do not allow limitations on how long an implied warranty lasts, so the above limitations may not apply to you
 - B. ANY INCIDENTAL, INDIRECT, OR CONSEQUENTIAL LOSS, DAMAGE, OR EXPENSE THAT MAY RESULT FROM ANY DEFECT, FAILURE, OR MALFUNCTION OF THE CAMPBELL HAUSFELD PRODUCT. Some States do not allow the exclusion or limitations of incidental or consequential damages, so the above limitation or exclusion may not apply to you.
 - C. Any failure that results from an accident, purchaser's abuse, neglect or failure to operate products in accordance with instructions provided in the owner's manual(s) supplied with compressor.
 - D. Pre-delivery service, i.e. assembly, oil or lubricants, and adjustment.
 - E. Items or service that is normally required to maintain the product, i.e. lubricants, filters and gaskets, etc.
 - F. Gasoline engines and components are expressly excluded from coverage under this limited warranty. The Purchaser must comply with the warranty given by the engine manufacturer which is supplied with the product
 - G. Additional items not covered under this warranty:
 1. Excluded items pertaining to All Compressors
 - a. Any component damaged in shipment or any failure caused by installing or operating unit under conditions not in accordance with installation and operation guidelines or damaged by contact with tools or surroundings.
 - b. Pump or valve failure caused by rain, excessive humidity, corrosive environments or other contaminants.
 - c. Cosmetic defects that do not interfere with compressor functionality.
 - d. Rusted tanks, including but not limited to rust due to improper drainage or corrosive environments.
 - e. The following components are considered normal wear items and are not covered after the first year of ownership. Electric motor, check valve, pressure switch, regulator, pressure gauges, hose, tubing, pipe, fittings and couplers, screws, nuts, hardware items, belts, pulleys, flywheel, air filter and housing, gaskets, seals, oil leaks, air leaks, oil consumption or usage, piston rings.
 - f. Tank drain valves.
 - g. Damage due to incorrect voltage or improper wiring.
 - h. Other items not listed but considered general wear parts.
 - i. Pressure switches, air governors, load/unload devices, throttle control devices and safety valves modified from factory settings.
 - j. Damage from inadequate filter maintenance.
 - k. Induction motors operated with electricity produced by a generator.
 2. Excluded items specific to Lubricated Compressors:
 - a. Pump wear or valve damage caused by using oil not specified.
 - b. Pump wear or damage caused by any oil contamination.
 - c. Pump wear or damage caused by failure to follow proper oil maintenance guidelines, operation below proper oil level or operation without oil.
 - H. Labor, service call, or transportation charges after the first year of ownership of stationary compressors. Stationary compressors are defined as not including a handle or wheels.
 7. **RESPONSIBILITIES OF WARRANTOR UNDER THIS WARRANTY:** Repair or replace, at Warrantor's option, compressor or component which is defective, has malfunctioned and/or failed to conform within duration of the warranty period.
 8. **RESPONSIBILITIES OF PURCHASER UNDER THIS WARRANTY:**
 - A. Provide dated proof of purchase and maintenance records.
 - B. Call Campbell Hausfeld (800-543-6400) to obtain your warranty service options. Freight costs must be borne by the purchaser.
 - C. Use reasonable care in the operation and maintenance of the products as described in the owner's manual(s).
 - D. Repairs requiring overtime, weekend rates, or anything beyond the standard manufacturer warranty repair labor reimbursement rate.
 - E. Time required for any security checks, safety training, or similar for service personnel to gain access to facility.
 - F. Location of unit must have adequate clearance for service personnel to perform repairs and easily accessible.
 9. **WHEN WARRANTOR WILL PERFORM REPAIR OR REPLACEMENT UNDER THIS WARRANTY:** Repair or replacement will be scheduled and serviced according to the normal work flow at the servicing location, and depending on the availability of replacement parts.
- This Limited Warranty applies in the U.S., Canada and Mexico only and gives you specific legal rights. You may also have other rights which vary from State to State or country to country.
-

Veillez lire et conserver ces instructions. Lire attentivement avant de commencer à assembler, installer, faire fonctionner ou entretenir l'appareil décrit. Protégez-vous et les autres en observant toutes les informations sur la sécurité. Négliger d'appliquer ces instructions peut résulter en des blessures corporelles et/ou en des dommages matériels ! Conserver ces instructions pour références ultérieures.

Compresseur D'Air Stationnaire

Table des matières

Description	11
Déballage	11
Directives de Sécurité	11
Généralités sur la Sécurité	11
Introduction	13
Installation	13
Montage	15
Fonctionnement	16
Entretien	16
Guide de Dépannage	18
Garantie	20

Description

Les modèles de compresseurs d'air sont conçus pour fournir de l'air comprimé aux outils pneumatiques et pour faire fonctionner les pistolets vaporisateurs. Les pompes fournies sont graissées à l'huile. Un peu d'huile résiduelle est présent dans le débit d'air comprimé. Installer les filtres appropriés pour les applications qui requièrent de l'air libre d'huile ou d'eau. Le compresseur d'air doit être monté selon les instructions, sur un plancher solide. Autres usages de ces modèles nieront la garantie et le fabricant ne sera pas responsable pour les problèmes ou dommages résultant de l'usage incorrect.

Déballage

Dès que l'appareil est déballé, l'inspecter attentivement pour tout signe de dommages en transit. S'assurer de resserrer tous les raccords, boulons, etc. avant de le mettre en service.

**LIRE ET SUIVRE TOUTES LES INSTRUCTIONS
CONSERVER CES INSTRUCTIONS
NE PAS JETER**

Directives de Sécurité

Ce manuel contient de l'information très importante qui est fournie pour la SÉCURITÉ et pour ÉVITER LES PROBLÈMES D'ÉQUIPEMENT. Rechercher les symboles suivants pour cette information.

▲ DANGER *Danger indique une situation hasardeuse imminente qui RÉSULTERA en perte de vie ou blessures graves.*

▲ AVERTISSEMENT *Avertissement indique une situation hasardeuse potentielle qui PEUT résulter en perte de vie ou blessures graves.*

▲ ATTENTION *Attention indique une situation hasardeuse potentielle qui PEUT résulter en blessures.*

AVIS *Avis indique de l'information importante pour éviter le dommage de l'équipement.*

REMARQUE: L'information qui exige une attention spéciale.

Généralités sur la Sécurité

PROPOSITION 65 DE CALIFORNIE

▲ AVERTISSEMENT *Ce produit ou son cordon peuvent contenir des produits chimiques qui, de l'avis de l'État de Californie, causent le cancer et des anomalies congénitales ou autres problèmes de reproduction. Lavez-vous les mains après la manipulation.*

▲ AVERTISSEMENT *Vous pouvez créer de la poussière en coupant, ponçant, perçant ou meulant les matériaux tels que le bois, la peinture, le métal, le béton, le ciment ou autre maçonnerie. Cette poussière contient souvent des produits chimiques reconnus pour causer le cancer, les déformations congénitales ou autres problèmes de la reproduction. Porter de l'équipement de protection.*



▲ DANGER

Avertissement D'Air Respirable

Ce compresseur/pompe n'est pas équipé pour et ne devrait pas être utilisé "comme soi" pour fournir de l'air respirable. En cas d'applications d'air pour la consommation humaine, le compresseur d'air/pompe doit être équipé avec de l'équipement de sécurité en canalisation et d'alarme. Cet équipement additionnel est nécessaire pour filtrer et purifier l'air afin d'atteindre les spécifications minimales pour la respiration Grade D décrites dans le Compressed Gas Association Commodity Specification G 7.1 - 1966, OSHA 29 CFR 1910. 134, et/ou Canadian Standards Associations (CSA).

DÉNÉGATION DES GARANTIES
Si le compresseur est utilisé pour les applications d'air respirable et l'équipement de sécurité en canalisation et d'alarme n'est pas utilisé simultanément, les garanties en existence seront annulées, et la fabricant nie toute responsabilité pour n'importe quelle perte, blessure ou dommage.

GÉNÉRALITÉS SUR LA SÉCURITÉ

Puisque le compresseur d'air et les autres pièces détachées (pompe, pistolets, filtres, graisseurs, tuyaux, etc.) font partie d'un système de haute pression, il est nécessaire de suivre les précautions suivantes.

MÉMENTO: Gardez votre preuve datée d'achat à fin de la garantie!
Joignez-la à ce manuel ou classez-la dans un dossier pour plus de sécurité.

Généralités sur la Sécurité (Suite)

1. Lire attentivement tous manuels compris avec ce produit. Se familiariser avec ce produit, ses commandes et son utilisation.

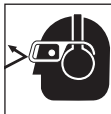


2. Suivre tous les codes de sécurité et d'électricité locaux ainsi que les codes des É-U; National Electrical Codes (NEC) et Occupational Safety and Health Act (OSHA).

3. Seules les personnes bien familiarisées avec ces règlements d'utilisation doivent être autorisées à se servir du compresseur.

4. Garder les visiteurs à l'écart de/et NE JAMAIS permettre les enfants dans l'endroit de travail.

5. Utiliser des lunettes de sécurité et la protection auditive pendant l'utilisation du modèle.



6. Ne pas se tenir debout sur/ni utiliser le modèle comme une prise à main.

7. Inspecter le système d'air comprimé et pièces détachées électriques pour toute indication de dommage, détérioration, faiblesse ou fuites avant chaque utilisation. Réparer ou remplacer toutes pièces défectueuses avant l'utilisation.

8. Inspecter le degré de serrage de toutes les attaches par intervalles régulières.

AVERTISSEMENT Les moteurs, l'équipement et les commandes électriques peuvent causer des arcs électriques qui peuvent allumer un gaz ou une vapeur inflammable. Ne jamais utiliser ou réparer le modèle près d'un gaz ou d'une vapeur inflammable. Ne jamais entreposer les liquides ou gaz inflammables près du compresseur.



AVERTISSEMENT Ne jamais utiliser un compresseur sans carter de courroie. Ce modèle peut se démarrer sans avis. Le contact avec les pièces mobiles peut causer des blessures personnelles ou dégâts matériels.



9. Ne pas porter des vêtements flottants ni des bijoux qui peuvent se prendre dans les pièces mobiles du modèle.

ATTENTION Les pièces du compresseur peuvent être chaudes même si le modèle est hors circuit.



10. Garder les doigts à l'écart du compresseur; les pièces mobiles et chaudes peuvent causer des blessures et/ou des brûlures.

11. Si l'équipement vibre anormalement, ARRÊTER le moteur et l'inspecter immédiatement. La vibration est généralement une indication d'un problème.

12. Pour réduire le risque d'incendie, garder l'extérieur du moteur libre d'huile, de solvants et de graisse excessive.

AVERTISSEMENT Une soupape de sûreté ASME avec une classification qui ne dépasse pas 1034 kPa doit être installée dans le réservoir de ce compresseur. La soupape de sûreté ASME doit avoir un débit d'air et une classification de pression suffisants pour protéger les pièces pressurisées contre l'éclatement.

ATTENTION Voir la décalcomanie de spécifications sur le compresseur pour retrouver la pression de service maximum. Ne pas faire fonctionner avec un manostat ou soupapes pilotes réglés au delà de la pression de fonctionnement maximum.

13. Ne jamais essayer de régler la soupape de sûreté ASME. Garder la soupape de sûreté libre de peinture et autres accumulations.

AVERTISSEMENT Ne jamais utiliser les tuyaux plastiques (CPV) pour l'air comprimé. Ceci peut causer des blessures graves ou la mort.

DANGER Ne jamais essayer de réparer ni de modifier un réservoir! Le soudage, perçage ou autre modifications peuvent affaiblir le réservoir et peuvent résulter en dommage de rupture ou d'explosion. Toujours remplacer un réservoir usé, fendu ou endommagé.



AVIS

Purger le liquide du réservoir quotidiennement.

14. L'accumulation d'humidité cause la rouille qui peut affaiblir le réservoir. Purger le réservoir régulièrement et l'inspecter périodiquement pour la rouille et la corrosion ou autres conditions dangereuses.

15. L'air mouvante peut agiter la poussière et le débris qui peut être dangereux. Dissiper l'air lentement en purgeant l'humidité ou pendant la dépressurisation du système de compresseur.

PRÉCAUTIONS DE PULVÉRISATION

AVERTISSEMENT Ne pas pulvériser des matériaux inflammables près d'une flamme ni près d'une source d'ignition y inclus le compresseur.



16. Ne pas fumer pendant la pulvérisation de peinture, d'insecticides ou d'autres substances inflammables.

17. Utiliser un masque / respirateur pendant la pulvérisation et pulvériser dans un endroit bien ventilé pour éviter les dangers de santé et d'incendie.



18. Ne pas pulvériser vers le compresseur. Situer le compresseur aussi loin que possible de l'endroit de pulvérisation pour minimiser l'accumulation de surpulvérisation sur le compresseur.

19. Pour pulvériser ou nettoyer avec des solvants ou produits chimiques toxiques, suivre les instructions fournies par le fabricant du produit chimique.

Introduction

Se référer à la Figure 1.

INSTALLATION D'UNE SOUPAPE D'ARRÊT

Une soupape d'arrêt devrait être installée sur l'orifice de décharge du réservoir pour contrôler le débit d'air du réservoir. Situer la soupape entre le réservoir et le système de tuyauterie.

Manostat - Interrupteur Auto/Off - Dans la position "auto", le compresseur se coupe automatiquement quand la pression du réservoir atteint la pression maximum réglée d'avance. Une fois que l'air est usé du réservoir et baisse à une niveau réglé d'avance, le manostat remet le moteur en marche (on) automatiquement. Dans la position "off", le compresseur ne fonctionnera pas. Cet interrupteur devrait être dans la position "off" pendant le branchement ou le débranchement du cordon d'alimentation de la prise de courant.

Lorsque le manostat coupe le moteur (off), vous entendrez de l'air qui s'échappe de la soupape de décharge du manostat pendant un peu de temps. Ceci relâche la pression d'air du tuyau de décharge et permet que le compresseur se remet en marche plus facilement.

Pour les modèles sans interrupteur manuel, lorsqu'on demande de mettre l'interrupteur dans la position OFF, utiliser l'interrupteur à l'appareil de déconnection au lieu.

Régulateur - Le régulateur contrôle la quantité de pression d'air échappée à la sortie de tuyau (Vendu séparément).

Soupape de Sûreté ASME -

Cette soupape laisse échapper l'air automatiquement si la pression du réservoir dépasse la pression maximum réglée d'avance.

Tuyau de Décharge - Ce tuyau transporte l'air comprimé de la pompe au clapet. Ce tuyau devient très chaud pendant son utilisation. Ne jamais toucher le tuyau de décharge afin d'éviter des brûlures sévères.

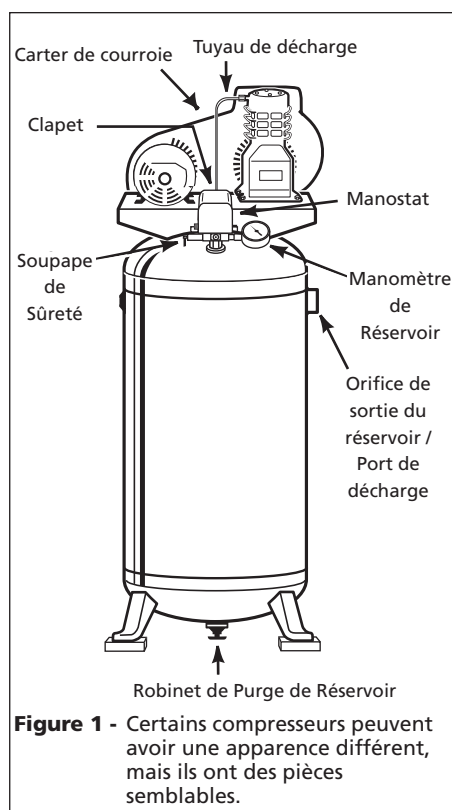


Figure 1 - Certains compresseurs peuvent avoir une apparence différent, mais ils ont des pièces semblables.

Clapet - Une soupape à sens unique qui permet à l'air d'entrer le réservoir mais qui empêche que l'air du réservoir retourne dans la pompe du compresseur.

Carter de Courroie - Couvre la courroie, la poulie de moteur et le volant.

Robinet de Purge de Réservoir - Cette soupape est située au fond du réservoir. Utiliser cette soupape pour purger l'humidité du réservoir quotidiennement afin de réduire le risque de corrosion.

Installation

⚠ AVERTISSEMENT

Débrancher, étiquetter et verrouiller la source de puissance, ensuite dissiper toute la pression du système avant d'installer, réparer, déplacer ou de procéder à l'entretien du modèle.



ENDROIT

AVIS

Ce compresseur n'est pas conçu pour l'utilisation à l'extérieur.

Il est très important d'installer le compresseur dans un endroit propre et bien aéré, où la température de l'air ne dépassera pas 38,1° C.

Une distance minimum de 45,7 cm est requise entre le volant du compresseur ou un évantail et un mur afin d'assurer l'accès au robinet de purge.

Ne pas situer l'arrivée d'air du compresseur près de la vapeur, peinture pulvérisée, endroits de décapage au sable et autres sources de contamination.

MONTAGE

⚠ ATTENTION

Ne jamais utiliser les palettes en bois d'expédition pour le montage du compresseur.

MONTAGE AU PLANCHER (TOUS LES MODÈLES)

Les pieds du compresseur **DOIVENT** être fixés à un plancher en béton plat et égal ou sur une fondation en béton séparée. Les isolateurs de vibration **doivent être** utilisés entre la jambe du réservoir et le plancher (Numéro de pièce MP346100AJ, disponible séparément). Ne pas trop serrer les boulons afin de permettre que les tampons absorbent les vibrations. Un accouplement flexible devrait être installé entre le réservoir et la tuyauterie de service.

⚠ AVERTISSEMENT

Ce compresseur est très lourd du haut. Le modèle doit être boulonné au plancher avec des tampons isolateurs avant son utilisation pour éviter le dommage à l'équipement, les blessures ou la mort.

⚠ AVERTISSEMENT

Ne jamais installer une soupape d'arrêt entre la pompe du compresseur et le réservoir. Blessures et/ou dégâts matériels peuvent se présenter.

Installation (Suite)

TUYAUTERIE

⚠ AVERTISSEMENT *Ne jamais utiliser les tuyaux en plastique (CPV) pour l'air comprimé. Ceci peut causer des blessures graves ou la mort.*

Tous tubes, conduits, ou tuyaux utilisés doivent avoir une classification de pression au delà de 1034 kPa. Taille de tuyau minimum recommandée:

- jusqu'à 15,24 m, 12,7 mm (1/2 po)
- plus que 15,24 m, 19,1 mm (3/4 po)

Un tuyau de diamètre plus large est idéal.

Installation Électrique

⚠ AVERTISSEMENT *Tout le câblage et les connexions électriques doivent être exécutés par un électricien qualifié au courant des contrôles à moteurs industriels. Les installations doivent être conformes aux codes locaux et nationaux.*



⚠ AVERTISSEMENT *Débrancher, étiquetter et verrouiller la source de puissance et dissiper la pression du système avant de monter, réparer, déplacer ou de procéder à l'entretien du modèle.*



⚠ AVERTISSEMENT *Un câblage inadéquat mènera à la surchauffe, les courts circuits et les dommages d'incendie.*

MISE À LA TERRE

Ce produit doit être mis à la terre. Si le modèle est livré avec un cordon installé à l'usine, brancher le cordon dans une prise de courant de taille correcte mise à la terre. Pour les modèles qui n'ont pas de cordon installé à l'usine, installer des fils permanents de la source d'électricité au manostat avec un fil de terre branché à la vis de terre sur le manostat. Vous pouvez aussi installer un cordon de taille correcte avec un fil de terre et une fiche.

⚠ DANGER *Les moteurs qui ne sont pas correctement mis à la terre tiennent le risque de secousse électrique. S'assurer que tout équipement soit correctement mis à la terre.*



INSTALLATION DE FILS

Les codes locaux concernant l'installation de fils varient d'endroit en endroit. Les fils d'alimentation, fiches et le protecteur doivent être classifiés pour au moins le minimum d'ampérage et de tension indiqués sur la plaque indicatrice du moteur et respecter tous les codes électriques pour ce minimum. Utiliser un fusible à retardement en T ou un disjoncteur.

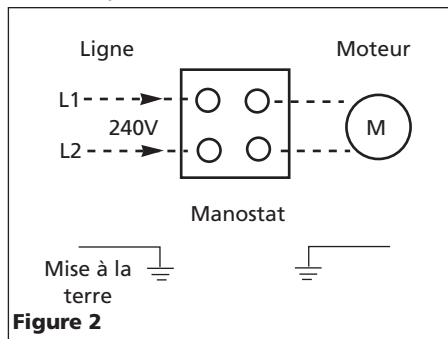


Figure 2

AVIS *Tout dommage au moteur à cause d'une tension électrique ou d'une connexion électrique inappropriée annulera la garantie.*

Vous aurez besoin de ce qui suit pour une bonne installation.

1. Un disjoncteur bipolaire de 240 volts
2. Un compteur de tension.

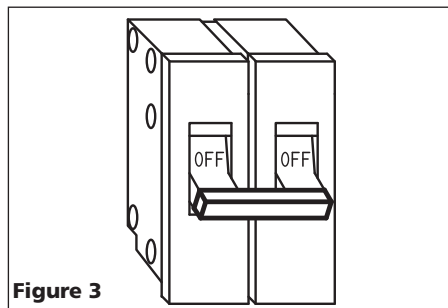


Figure 3

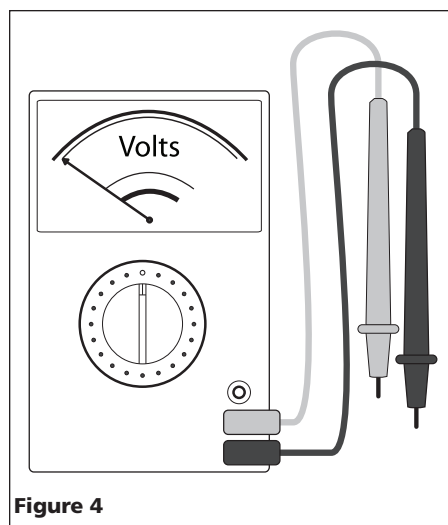


Figure 4

Taille minimum de fil (doit répondre à tous les codes)

Jusqu'à 22,9 m (75 pi)	12AWG
Plus de 22,9 m (75 pi)	10AWG

Confirmer la bonne tension - doit être effectué par un électricien qualifié.

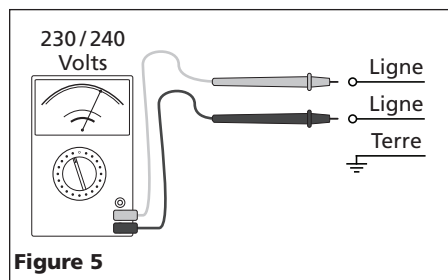


Figure 5

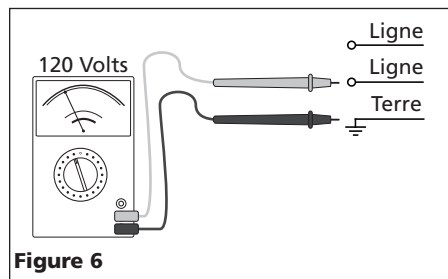


Figure 6

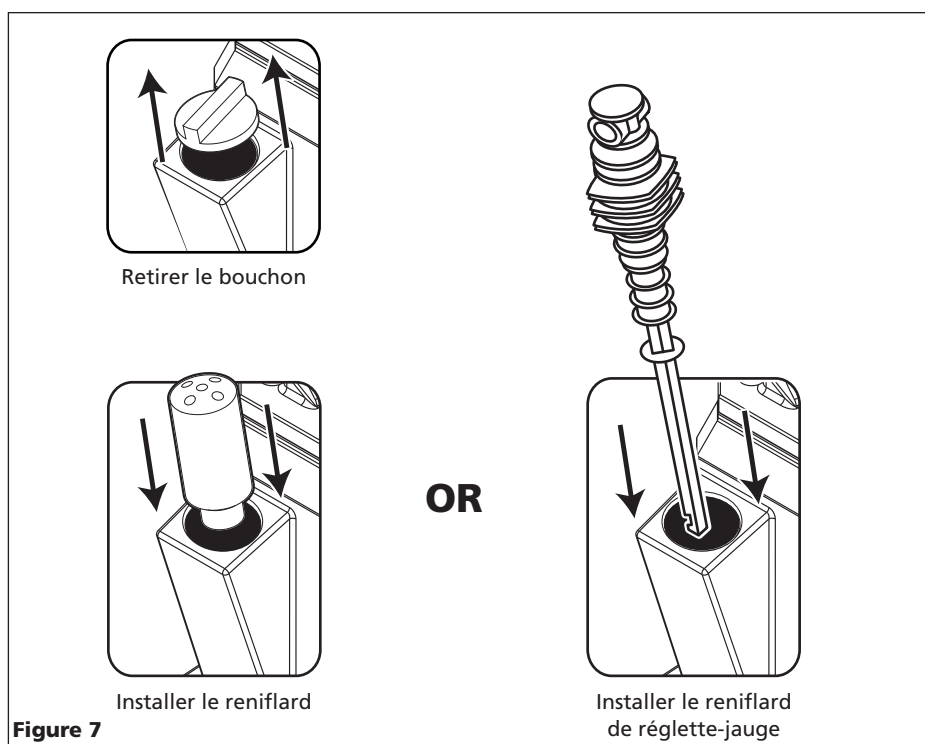


Figure 7

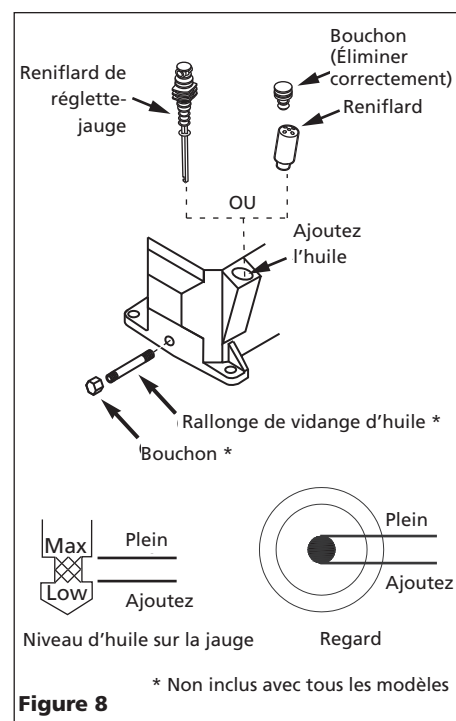


Figure 8

Montage

QUINCAILLERIE ADDITIONNELLE EXIGÉE

Acheter des tuyaux, un régulateur et une soupape d'arrêt ayant une classification minimum de 1034 kPa et qui dépasse la pression de service maximum du compresseur.

INSTALLATION DU RENIFLARD

Retirer le bouchon de l'orifice de remplissage d'huile. Installer le reniflard (qui se trouve dans le sac de pièces avec ce manuel ou suspendu du cylindre). Voir la Figure 7.

RALLONGE DE VIDANGE D'HUILE

Un rallonge de vidange d'huile et un bouchon sont compris avec quelques modèles (situés avec le manuel d'utilisation). Installer le rallonge de vidange d'huile et le bouchon avant d'ajouter l'huile à la pompe. Pour éviter les fuites d'huile, appliquer du mastic de jointement de tuyau ou du ruban adhésif aux filets à chaque extrémité de la rallonge du drain d'huile. Visser le bouchon sur un bout de rallonge. Enlever le bouchon de vidange d'huile de la base de la pompe et installer le rallonge de vidange d'huile (Voir Figures 8 et 9).

GRAISSAGE

ATTENTION VÉRIFIER LE BON NIVEAU D'HUILE AVANT D'UTILISER!

CERTAINS MODÈLES SONT EXPÉDIÉS AVEC DE L'HUILE DANS LA POMPE.

S'assurer que le rallonge de vidange d'huile et le bouchon soient installés (si compris). Enlever le reniflard de la réglette-jauge (Voir Figure 8) et remplir la pompe d'huile selon le tableau.

Se référer à la décalcomanie de spécifications sur le réservoir pour le numéro de la pompe et se référer au tableau pour la capacité d'huile correcte.

Pompe	Capacité d'huile approx.
VT4700	0,25 L
VH3000	0,95 L

HUILE

Utiliser l'huile pour compresseur d'air industrielle SAE 30 ou l'huile complètement synthétique pour moteurs telle que Mobil 1 10W-30. Ne pas utiliser l'huile pour automobile ordinaire. Les additifs dans l'huile de moteur peuvent causer de l'encrassement dans les soupapes et peuvent diminuer la vie de la pompe.

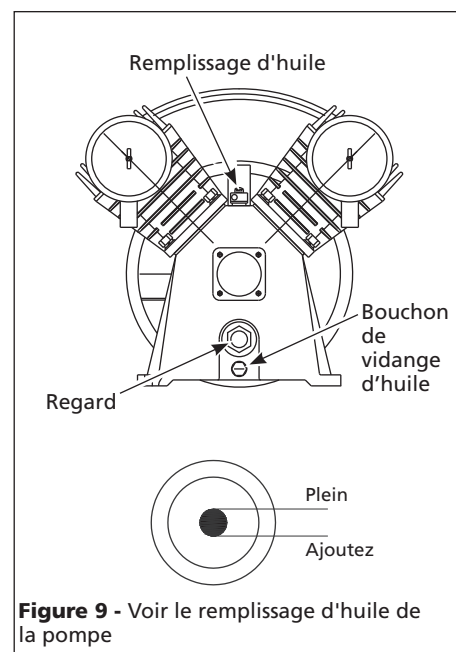


Figure 9 - Voir le remplissage d'huile de la pompe

Functionnement

DÉMARRAGE / PROCÉDURE DE RODAGE

ATTENTION *Ne pas brancher les outils pneumatiques au bout ouvert du tuyau avant que le démarrage soit complet et que le modèle fonctionne correctement.*

AVERTISSEMENT *Ne jamais débrancher les raccords filetés si le réservoir est pressurisé!*

1. Retirer le bouchon de l'ouverture de remplissage d'huile. Remplir la pompe au niveau d'huile approprié (voir la figure 10). Installer le reniflard (qui se trouve dans le sac de pièces avec ce manuel ou suspendu du cylindre).

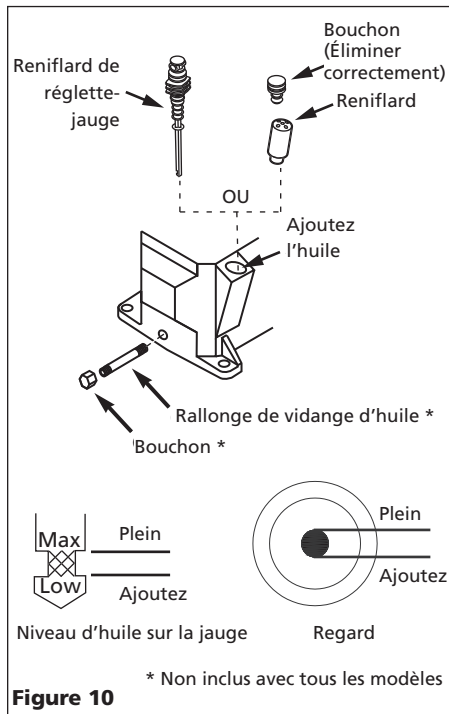


Figure 10

2. Tourner le bouton du régulateur au sens des aiguilles d'une montre afin d'ouvrir la circulation d'air.
3. Tournez le levier ou le bouton du manostat à la position OFF (ARRÊT) et branchez le cordon d'alimentation (reportez-vous à la Figure 11).
4. Faire fonctionner l'appareil pendant 30 minutes à zéro (0) lb/po²/kPa pour roder les pièces de la pompe.

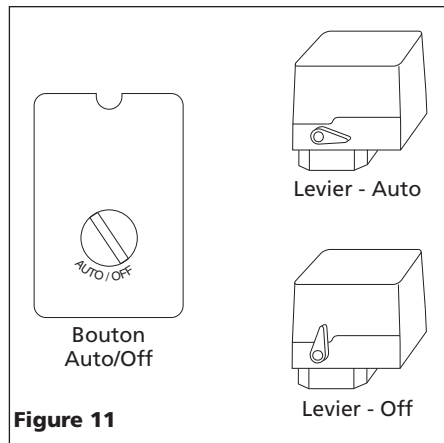


Figure 11

5. Tourner le bouton du régulateur complètement au sens contraire des aiguilles d'une montre. Le compresseur fonctionnera jusqu'à la pression maximale réglée d'avance et s'arrêtera.

Entretien

AVERTISSEMENT *Débrancher, étiqueter et verrouiller la source de puissance et dissiper la pression du système avant de monter, réparer, déplacer ou de procéder à l'entretien du modèle.*



Toutes réparations doivent être effectuées par un représentant de service autorisé.

POUR LE FONCTIONNEMENT EFFICACE:

Exécuter l'horaire d'entretien suivant.

1. Maintenir le niveau d'huile approprié. Se reporter à la section de lubrification pour les détails.
2. Purger le réservoir. Avec le compresseur hors circuit et la pression dissipée, purger l'humidité du réservoir en ouvrant le robinet de purge sous le réservoir. (voir la Figure 12).

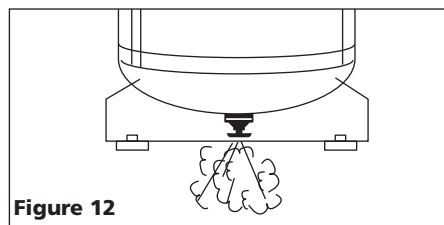


Figure 12

3. Vérifier si le filtre d'air est propre. Enlever le couvercle du carter de filtre, enlever le filtre et le laver avec de l'eau chaude et savonneuse (ne pas laver les filtres en papier). Rincer et sécher. Remplacer les filtres qui ne peuvent pas être nettoyés. Placer le filtre dans la base du carter et remplacer le couvercle.

4. Vérifier la soupape de sûreté de la manière suivante :

- a. Brancher le compresseur et le faire fonctionner jusqu'à ce qu'il atteigne la pression d'arrêt (voir procédure de fonctionnement).
- b. Porter des lunettes de sécurité, tirer l'anneau sur la soupape de sûreté pour dégager la pression du réservoir du compresseur. Il faut se protéger de l'air se déplaçant rapidement et pouvant être déchargé, ne permettez pas à l'air se déplaçant rapidement d'être dirigé vers votre visage (voir la Figure 13).

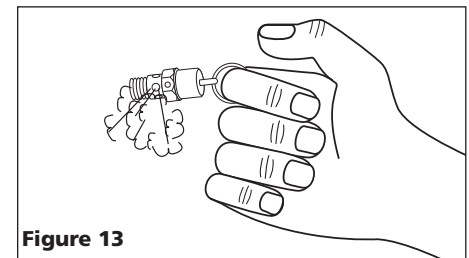


Figure 13

HUMIDITÉ DANS L'AIR COMPRIMÉ

L'humidité dans l'air comprimé forme des gouttelettes en arrivant de la pompe du compresseur d'air. Si l'humidité est élevée, ou si le compresseur est utilisé continuellement, cette humidité s'accumulera dans le réservoir. Pendant l'utilisation d'un pistolet à peinture ou d'un pistolet pour le décapage au sable, cette eau sera transportée du réservoir par moyen du tuyau, et en forme de gouttelettes, mélangée avec le matériel utilisé.

IMPORTANT: Cette condensation peut causer des taches d'eau sur votre travail de peinture, surtout pendant la pulvérisation de peinture qui n'est pas à base d'eau. Pendant le décapage au sable, cette eau servira à tenir le sable ensemble et causera une obstruction dans le pistolet.

Un filtre à air en canalisation situé aussi près du pistolet que possible aidera à éliminer cette humidité.

HORAIRE D'ENTRETIEN				
OPÉRATION	QUOTIDIEN	HEBDOMAD AIRE	MENSUEL	3 MOIS
VÉRIFIER LE NIVEAU D'HUILE	●			
PURGER LE RÉSERVOIR	●			
VÉRIFIER LE FILTRE À AIR		●		
VÉRIFIER LA SOUPEPE DE SÛRETÉ		●		
NETTOYER LE MODÈLE			●	
VÉRIFIER LE SERRAGE DES COURROIES			●	
CHANGER L'HUILE				●

Entretien (Suite)

- c. La soupape de sûreté se fermera automatiquement à environ 40 à 50 lb/po². Si la soupape ne laisse pas sortir l'air en tirant sur l'anneau, ou si elle ne se ferme pas automatiquement, il FAUT la remplacer.
5. Avec le moteur dans la position OFF et débranché, nettoyer le débris du moteur, du volant, du réservoir, des canalisations d'air et des ailettes de refroidissement de la pompe.
6. Vérifier la courroie pour tout signe d'usure excessive. Si la ceinture présente des signes d'usure, la remplacer. Vérifier la courroie de poulie pour assurer sa bonne tension / alignement. Pour ajuster la courroie :
 - a. Enlever le carter de courroie.
 - b. Retirer la courroie.
 - c. Desserrer les quatre attaches qui tiennent le moteur à la plaque de base.
 - d. Déplacer le moteur dans la bonne direction. Resserrer les quatre attaches retenant le moteur à la plaque de base. La courroie doit être bien alignée lors de l'ajustement.

- e. Pour aligner la courroie, placer une limande contre la face du volant, touchant le bord à deux endroits (voir la Figure 14).

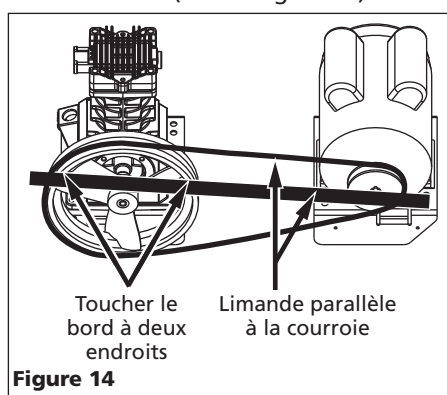


Figure 14

- f. Ajuster le volant ou la poulie du moteur afin que la courroie soit parallèle à la limande (voir la Figure 14).
- g. Si nécessaire, utiliser un arrache-roue pour déplacer la poulie sur l'arbre du moteur. Serrer la vis de pression une fois que la poulie soit en position.
- h. Rattacher la courroie.
- i. Rattacher le protecteur de courroie.

7. Changer l'huile.

- a. Permettre que le compresseur fonctionne et réchauffe l'huile. Débrancher le modèle.
- b. Placer un récipient sous le bout de la pompe du modèle.
- c. Enlever le bouchon de vidange (Voir les figures 8 et 9). Permettre que l'huile se vide dans le récipient.
- d. Replacer le robinet de purge, remplir la pompe au niveau complet (voir les figures 8 et 9). Utiliser l'huile à moteur synthétique Mobil 1 10W-30 dans ce compresseur.

SERVICE TECHNIQUE

Pour des informations concernant le fonctionnement ou la réparation de ce produit, composer le 1-800-543-6400.

Guide De Dépannage

Symptom	Possible Cause(s)	Corrective Action
Pression de décharge basse	<ol style="list-style-type: none"> 1. Demande d'air dépasse la capacité de la pompe 2. Arrivée d'air limitée 3. Fuites d'air (raccords, tube du compresseur, ou plomberie à l'extérieur du système) 4. Joints éclatés 5. Fuites ou dommage aux soupapes 	<ol style="list-style-type: none"> 1. Diminuer la demande d'air ou utiliser un compresseur de plus haute capacité. 2. Nettoyer ou remplacer l'élément du filtre d'air. 3. Écouter pour des fuites d'air. Appliquer une solution savonneuse à tous les raccords et branchements et vérifier pour des bulles qui indiquent des fuites. Serrer ou remplacer les raccords ou branchements qui ont des fuites. Utiliser du mastic de jointolement. 4. Remplacer tous joints défectueux. 5. Enlever la culasse et inspecter pour des soupapes cassées, soupapes mal dressées, sièges de soupapes endommagés, etc. Remplacer toutes les pièces défectueuses et remonter. <p>⚠ ATTENTION <i>Installer un nouveau joint d'étanchéité de culasse chaque fois que la culasse est enlevée</i></p>
Le filtre à air fond à cause du surchauffage de la pompe	<ol style="list-style-type: none"> 1. Joint isolant entre le filtre et la culasse manquant 2. Soupape cassée/joint éclaté 	<ol style="list-style-type: none"> 1. Installer un joint d'étanchéité. 2. Remplacer les soupapes ou installer un nouveau joint d'étanchéité.
Bruit excessif (cognement)	<ol style="list-style-type: none"> 1. Poulie du moteur ou volant desserré(e) 2. Attaches desserrées sur la pompe ou sur le moteur 3. Manque d'huile dans le carter 4. Bielle usée 5. Alésages d'axe de piston usés 6. Piston frappe la plaque de soupape 7. Clapet bruyant dans le système de compresseur 	<ol style="list-style-type: none"> 1. Resserrer les boulons des pinces de poulie/volant et les vis de serrage. 2. Resserrer les attaches 3. Vérifier le niveau d'huile; si bas, inspecter les paliers pour du dommage. L'huile sale peut causer l'usure excessif. 4. Remplacer la bielle. Entretenir le niveau d'huile et changer l'huile plus souvent. 5. Enlever le piston équipé du compresseur et l'inspecter pour l'usure excessif. Remplacer les axes de piston ou pistons usés au besoin. Entretenir le niveau d'huile correct et changer l'huile plus souvent. 6. Enlever la tête du compresseur et la plaque de soupape et inspecter pour de l'encrassement charbonneux ou autre matières étranges sur la partie supérieure du piston. Remplacer la culasse et la plaque de soupape et utiliser un nouveau joint d'étanchéité. Voir la section de Graissage pour l'huile recommandée. 7. Remplacer le clapet de non-retour. <p>⚠ DANGER <i>Ne pas démonter le clapet si le réservoir est pressurisé</i></p>
Large quantité d'huile dans l'air de décharge REMARQUE: Il y aura toujours un peu d'huile dans le jet d'air avec un compresseur graissé par l'huile.	<ol style="list-style-type: none"> 1. Segments de piston usés 2. Arrivée d'air du compresseur limité 3. Huile excessive dans le compresseur 4. Viscosité d'huile incorrecte 	<ol style="list-style-type: none"> 1. Remplacer les segments de piston. Entretenir le niveau d'huile correct et changer l'huile plus souvent. 2. Nettoyer ou remplacer le filtre. Vérifier le système d'arrivée pour autres restrictions. 3. Vidanger jusqu'au niveau plein. 4. Utiliser l'huile Mobil 1[®] 10W-30.
Eau dans l'air de débit / réservoir	Fonctionnement normal. La quantité d'eau augmente avec le temps humide	<ol style="list-style-type: none"> 1. Purger le réservoir plus souvent, au moins quotidiennement. 2. Ajouter un filtre pour diminuer la quantité d'eau dans la canalisation d'air.
Le moteur ronronne et fonctionne lentement ou pas du tout	<ol style="list-style-type: none"> 1. Basse tension 2. Trop d'appareils sur le même circuit 3. Connexions électriques desserrées. 4. Panne de manostat - contacts ne ferment pas 	<ol style="list-style-type: none"> 1. Vérifier la tension d'entrée. Elle devrait être d'environ 230 volts. Le moteur ne fonctionnera pas correctement à 208 volts. La basse tension pourrait être à cause de fils (de la source électrique au compresseur) au diamètre trop petit et/ou trop longs. Faire vérifier ces conditions par un électricien qualifié et réparer au besoin. 2. Limiter le circuit à l'utilisation du compresseur seulement. 3. Vérifier toutes les connexions électriques. 4. Remplacer le manostat.

Guide De Dépannage (Suite)

Symptom	Possible Cause(s)	Corrective Action
Le moteur ronronne et fonctionne lentement ou pas du tout (Suite)	5. Fonctionnement défectueux du clapet	5. Remplacer le clapet. ⚠ DANGER <i>Ne pas démonter le clapet si le réservoir est pressurisé</i>
	6. Soupape de décharge défectueuse sur le pressostat.	6. Remplacer la soupape de décharge
	7. Condensateur(s) de moteur défectueux.	7. Remplacer le(s) condensateur(s)
	8. Moteur défectueux	8. Remplacer le moteur
Le mécanisme de réinitialisation se coupe souvent ou le disjoncteur se déclenche à répétition	1. Manque de ventilation appropriée/ température ambiante trop élevée	1. Déplacer le compresseur à un endroit bien ventilé.
	2. Trop d'appareils sur le même circuit	2. Limiter l'usage du circuit au compresseur d'air seulement.
	3. Aspiration d'air limitée	3. Nettoyer ou remplacer l'élément du filtre
	4. Connexions électriques desserrées.	4. Inspecter tous les branchements électriques.
	5. Pression de coupure du pressostat réglé trop haut	5. Remplacer le pressostat.
	6. Fonctionnement défectueux du clapet	6. Remplacer le clapet. ⚠ DANGER <i>Ne pas démonter le clapet si le réservoir est pressurisé</i>
	7. Soupape de décharge défectueuse sur le pressostat.	7. Remplacer la soupape de décharge
	8. Condensateur(s) de moteur défectueux.	8. Remplacer le(s) condensateur(s)
	9. Fonctionnement défectueux du moteur	9. Remplacer le moteur.
Le réservoir ne conserve pas la pression quand le compresseur est hors circuit et la soupape d'arrêt est fermée	1. Fuites d'air (raccords, tube du compresseur, ou plomberie à l'extérieur du système)	1. Vérifier toutes les connexions avec une solution de savon et d'eau. Resserrer ou retirer et appliquer le mastic aux filets, puis remonter.
	2. Clapet usé	2. Remplacer le clapet. ⚠ DANGER <i>Ne pas démonter le clapet si le réservoir est pressurisé</i>
	3. Inspecter le réservoir pour des fentes ou des trous d'épingles	3. Remplacer le réservoir. Ne jamais réparer un réservoir endommagé.
Le manostat laisse souffler de l'air continuellement à travers de la soupape de déchargement	Fonctionnement défectueux du clapet	Remplacer le clapet de non-retour si la soupape de décharge du pressostat se purge constamment lorsque l'appareil est éteint. ⚠ DANGER <i>Ne pas démonter le clapet si le réservoir est pressurisé</i>
Le manostat ne relâche pas l'air lorsque le modèle se coupe (off)	Fonctionnement défectueux de la soupape de déchargement sur le manostat	Remplacer la soupape de décharge si elle ne dégage pas de pression pendant une courte période à l'arrêt de l'appareil. ⚠ DANGER <i>Ne pas démonter le clapet si le réservoir est pressurisé</i>
Vibration excessive	1. Attaches desserrées sur la pompe ou sur le moteur	1. Resserrer les attaches.
	2. Changement de la courroie exigé	2. Remplacer avec une courroie de taille correcte.
	3. Redressage de la courroie	3. Aligner le volant et la poulie.

Garantie Limitée

1. DURÉE: À partir de la date d'achat par l'acheteur original comme suit : Un An, Deux Ans, Trois Ans, Quatre Ans ou Cinq Ans comme indiqué sur l'étiquette de caractéristiques du produit.
2. GARANTIE ACCORDÉE PAR (GARANT) :
Campbell Hausfeld/Scott Fetzer Company, 100 Production Drive, Harrison, Ohio, 45030, Téléphone: (800) 543-6400.
3. BÉNÉFICIAIRE DE CETTE GARANTIE (ACHETEUR) : L'acheteur original (sauf en cas de revente) du produit Campbell Hausfeld.
4. PRODUITS COUVERTS PAR CETTE GARANTIE : N'importe quel compresseur d'air Campbell Hausfeld.
5. COUVERTURE DE LA PRÉSENTE GARANTIE : Pièces et Main d'œuvre pour remédier à de défauts importants causés par matériau et main d'œuvre pendant la première année de possession avec les exceptions indiquées ci-dessous. Pièces seulement pour remédier à de défauts importants causés par matériau et main d'œuvre pendant le temps restant de la couverture avec les exceptions indiquées ci-dessous.
6. LA PRÉSENTE GARANTIE NE COUVRE PAS :
 - A. Les garanties implicites, y compris celles de commercialisation et D'ADAPTATION À UNE FONCTION PARTICULIÈRE SONT LIMITÉES À PARTIR DE LA DATE D'ACHAT INITIALE TELLE QU'INDIQUÉE DANS LA SECTION DURÉE. Si le compresseur d'air est utilisé pour une fonction commerciale, industrielle ou pour la location, la durée de la garantie sera quatre-vingt-dix (90) jours de la date d'achat. Les compresseurs de deux étages ne sont pas limités à une garantie de quatre-vingt-dix (90) jours si utilisés dans les applications commerciales ou industrielles. Certaines Provinces (États) n'autorisent pas de limitations de durée pour les garanties implicites, donc les limitations précédentes peuvent donc ne pas s'appliquer.
 - B. TOUT DOMMAGE, PERTE OU DÉPENSE FORTUIT OU INDIRECT POUVANT RÉSULTER DE TOUT DÉFAUT, PANNE OU MAUVAIS FONCTIONNEMENT DU PRODUIT CAMPBELL HAUSFELD. Quelques Provinces (États) n'autorisent pas l'exclusion ni la limitation des dommages fortuits ou indirects. La limitation ou l'exclusion précédente peut donc ne pas s'appliquer.
 - C. Toute panne résultant d'un accident, d'une utilisation abusive, de la négligence ou d'une utilisation ne respectant pas les instructions données dans le(s) manuel(s) accompagnant le produit.
 - D. Service avant livraison; le montage, l'huile ou la graisse et les réglages par exemple.
 - E. Articles ou services qui sont exigés pour l'entretien normal du produit; graisses, filtres et joints d'étanchéité par exemple.
 - F. Les moteurs à essence et les pièces détachées sont expressément exclus de cette garantie limitée. L'acheteur doit observer la garantie du fabricant de moteur qui est fournie avec le produit.
 - G. Articles supplémentaires qui ne sont pas couverts sous cette garantie :
 1. Articles exclus relatifs à Tous les Compresseurs
 - a. Toutes pièces détachées endommagées pendant l'expédition, n'importe quelle panne causée par un montage ou fonctionnement du modèle sous des conditions qui ne se conforment pas aux directives de montage et de fonctionnement ou dommage causé par le contact avec les outils ou les alentours.
 - b. La défaillance de la pompe ou de la soupape causée par la pluie, l'humidité excessive, un environnement corrosif ou autres polluants.
 - c. Les défauts de forme qui n'ont pas d'effet sur le fonctionnement du compresseur.
 - d. Les réservoirs rouillés, y compris mais sans s'y limiter à la rouille causée par la vidange incorrecte ou par un environnement corrosif.
 - e. Les composants suivants sont considérés comme des articles sujets à l'usure normale et ne sont pas couverts après le premier an de possession. Moteur électrique, soupape de retenue, interrupteur de pression, régulateur, manomètres, tuyaux, tubes, raccords, vis, écrous, articles de quincaillerie, courroies, poulies, volant, filtre d'air et boîtier, joints d'étanchéité, fuites d'air et d'huile, consommation ou usage d'huile, anneaux de piston.
 - f. Robinets de vidange.
 - g. Dommage dû à la tension ou installation de fils incorrecte.
 - h. Autres articles non indiqués mais considérés pièces d'usure générale.
 - i. Manostats, régulateurs d'air et soupapes de sûreté qui ont été modifiés d'après les réglages de l'usine.
 - j. Dommage causé par l'entretien insuffisant du filtre.
 - k. Moteurs à induction utilisant l'électricité produite par un générateur.
 2. Compresseurs Graissés
 - a. Usure de la pompe ou dommage aux soupapes causé par l'utilisation d'huile non-spécifiée.
 - b. Usure de la pompe ou dommage aux soupapes causé par toute contamination d'huile ou par le manque de suivre les directives d'entretien d'huile.
 - c. Usure ou dommage de la pompe causé par le manque de suivre les directives d'entretien d'huile, fonctionnement avec le niveau d'huile au dessous du bon niveau ou fonctionnement sans huile.
 - H. Main d'œuvre, appel de service, ou frais de transport après le premier an de possession de compresseurs stationnaires. Les compresseurs stationnaires sont identifiés par l'absence de manchon ou de roues.
7. RESPONSABILITÉS DU GARANT AUX TERMES DE CETTE GARANTIE : Réparation ou remplacement, au choix du Garant, d'un compresseur ou d'une pièce détachée qui s'est révélé défectueux ou qui n'est pas conforme pendant la durée de validité de la garantie.
8. RESPONSABILITÉS DE L'ACHETEUR AUX TERMES DE CETTE GARANTIE :
 - A. Fournir une preuve d'achat datée et un état d'entretien.
 - B. Appelez Campbell Hausfeld (800-543-6400) pour obtenir vos options de service sous garantie. Les frais de transport sont la responsabilité de l'acheteur.
 - C. Utilisation et entretien du produit avec un soin raisonnable, ainsi que le décri(vent)t le(s) manuel(s) d'utilisation.
 - D. Réparations qui exigent de temps additionnel, taux de charge de fin de semaine, ou tout problème au-delà du taux normal de remboursement par main d'œuvre de réparations sous garantie du fabricant.
 - E. Temps nécessaire pour tout contrôle de sécurité, entraînement de sécurité, ou situation semblable parce que le personnel de service puisse obtenir l'accès à l'installation.
 - F. L'emplacement de l'unité doit être facilement accessible et avoir l'espace suffisant parce que le personnel de service puisse effectuer les réparations.
9. RÉPARATION OU REMPLACEMENT EFFECTUÉ PAR LE GARANT AUX TERMES DE LA PRÉSENTE GARANTIE : La réparation ou le remplacement sera prévu et exécuté en fonction de la charge de travail dans le centre de service et dépendra de la disponibilité des pièces de rechange. Cette Garantie Limitée s'applique aux É.-U., au Canada et au Mexique seulement et vous donne des droits juridiques précis. L'acheteur peut également jouir d'autres droits qui varient d'une Province, d'un État ou d'un Pays à l'autre.

Por favor lea y guarde estas instrucciones. Léalas cuidadosamente antes de tratar de montar, instalar, operar o dar mantenimiento al producto aquí descrito. Protéjase usted mismo y a los demás observando toda la información de seguridad. ¡El no cumplir con las instrucciones puede ocasionar daños, tanto personales como a la propiedad! Guarde estas instrucciones para referencia en el futuro.

Compresores de Aire Estacionarios

Table des matières

Descripción	21
Déballage	21
Medidas de Seguridad	21
Informaciones Generales de Seguridad	21
Introducción	23
Instalación	23
Ensamblaje	25
Funcionamiento	26
Mantenimiento	26
Guía de Diagnóstico de Averías	28
Garantía	30

Descripción

Estos compresores de aire están diseñados para suministrarle aire comprimido a herramientas neumáticas y operar pistolas pulverizadoras. Los cabezales suministrados con estas unidades están lubricados con aceite. El aire comprimido suministrado contiene residuos de aceite. Para utilizarlo en aplicaciones que requieran el suministro de aire sin residuos de aceite o agua, le debe instalar un filtro adecuado. El compresor de aire se debe colocar sobre un piso sólido según las instrucciones suministradas. Cualquier otro uso de estas unidades cancelaría la garantía y el fabricante no sería responsable por los problemas o daños ocasionados por dichos usos.

Déballage

Dès que l'appareil est déballé, l'inspecter attentivement pour tout signe de dommages en transit. S'assurer de resserrer tous les raccords, boulons, etc. avant de le mettre en service.

LEA Y SIGA TODAS LAS INSTRUCCIONES

GUARDE ESTAS INSTRUCCIONES

NO LAS DESECHE

Medidas de Seguridad

Este manual contiene información que es muy importante que sepa y comprenda. Esta información se la suministramos como medida de SEGURIDAD y para EVITAR PROBLEMAS CON EL EQUIPO. Debe reconocer los siguientes símbolos.

▲ PELIGRO Esto le indica que hay una situación inmediata que LE OCASIONARIA la muerte o heridas de gravedad.

▲ ADVERTENCIA Esto le indica que hay una situación que PODRIA ocasionarle la muerte o heridas de gravedad.

▲ PRECAUCION Esto le indica que hay una situación que PODRIA ocasionarle heridas no muy graves.

AVISO Esto le indica una información importante, que de no seguirla, le podría ocasionar daños al equipo.

NOTA: Información que requiere atención especial.

Informaciones Generales de Seguridad

PROPOSICIÓN 65 DE CALIFORNIA

▲ ADVERTENCIA Este producto, o su cordón eléctrico, puede contener productos químicos conocidos por el estado de California como causantes de cáncer y defectos de nacimiento u otros daños reproductivos. Lave sus manos después de usar.

▲ ADVERTENCIA Cuando corta lija, taladra o pule materiales como por ejemplo madera, pintura, metal, hormigón, cemento, u otro tipo de mampostería se puede producir polvo. Con frecuencia este polvo contiene productos químicos que se conocen como causantes de cáncer, defectos congénitos u otros daños reproductivos. Use equipo de protección.



▲ PELIGRO

Advertencia sobre el aire respirable

Este compresor/cabezal no viene listo de fábrica para suministrarle aire respirable. Antes de utilizarlos con este fin, deberá instalarle un sistema de seguridad y alarma incorporado a la línea. Este sistema adicional es necesario para filtrar y purificar el aire adecuadamente, para cumplir con las especificaciones mínimas sobre aire respirable de Grado D descritas en la Especificación de Productos G 7.1 - 1966 de la Asociación de Aire Comprimido. Igualmente, deberá cumplir los requisitos establecidos por el Artículo 29 CFR 1910. 134 de la Organización norteamericana OSHA y/o la Canadian Standards Associations (CSA).

RENUNCIA A LAS GARANTIAS Si el compresor se utiliza para producir aire respirable SIN haberle instalado el sistema de seguridad y alarma, todas las garantías se anularán y el fabricante no asumirá NINGUNA responsabilidad por pérdidas, heridas personales o daños.

GENERALES SEGURIDAD

Como el compresor de aire y otros componentes usados (bomba de material, pistolas pulverizadoras, filtros, lubricadores, mangueras, etc.) integran un sistema de alta presión, en todo momento deberá seguir las siguientes medidas de seguridad:

RECORDATORIO: ¡Guarde su comprobante de compra con fecha para fines de la garantía! Adjúntela a este manual o archívela en lugar seguro.

Informaciones Generales de Seguridad (Continuación)

1. Lea con cuidado todos los manuales incluidos con este producto. Familiarícese con los controles y el uso adecuado del equipo.



2. Siga todos los códigos de seguridad laboral y electricidad establecidos en su país, por ejemplo, los de la NEC y OSHA en EUA.

3. Sólo personas bien familiarizadas con estas medidas de seguridad deben utilizar el compresor.

4. Mantenga a los visitantes alejados y NUNCA permita la presencia de niños en el área de trabajo.

5. Use anteojos de seguridad y protéjase los oídos para operar la unidad.



6. No se encarama sobre la unidad ni la use para sostenerse.

7. Antes de cada uso, revise el sistema de aire comprimido y los componentes eléctricos para ver si están dañados, deteriorados o hay fugas. Antes de usarlo cerciórese de reemplazar las piezas defectuosas.

8. Chequee con frecuencia todas la conecciones y cerciórese de que estén bien apretadas.

ADVERTENCIA Los motores, equipos eléctricos y controles, pueden ocasionar arcos eléctricos que se encenderían con gases o vapores inflamables. Nunca utilice o repare el compresor cerca de gases o vapores inflamables. Nunca almacene líquidos o gases inflamables cerca del compresor.



ADVERTENCIA Nunca opere el compresor sin las tapas de protección. Esta unidad se puede encender automáticamente sin previo aviso. El contacto con las piezas en movimiento le podría ocasionar heridas o daños a su propiedad.



9. Nunca use ropa muy holgada ni joyas, ya que se le podrían enredar en las partes en movimiento.

PRECAUCION Las piezas del compresor podrían estar calientes inclusive si la unidad no está funcionando.



10. Mantenga los dedos alejados del compresor cuando esté funcionando; las piezas en movimiento o calientes le ocasionarían heridas y/o quemaduras.

11. Si el equipo comienza a vibrar excesivamente, APAGUE la unidad y chequeela inmediatamente para determinar el problema. Generalmente, la vibración se debe a una falla.

12. Para reducir el peligro de incendios, mantenga el exterior del compresor limpio (sin aceite, solvente o exceso de grasa).

ADVERTENCIA DEBE instalarle una válvula de seguridad ASME que esté diseñada para presiones máximas de 10,34 bar en el tanque de este compresor. Esta válvula debe estar diseñada para los valores máximos de flujo y presión para proteger los componentes bajo presión contra el peligro de explosión.

PRECAUCION Vea las especificaciones del compresor en la calcomanía para la presión máxima operativa. No opere con el presostato o la válvula piloto ajustados a presiones más elevadas de la presión máx. operativa.

13. Nunca trate de ajustar la válvula de seguridad ASME. Manténgala limpia y evite que la acumulación de pintura u otros desperdicios.

ADVERTENCIA Nunca use tuberías de plástico (PVC) en sistemas de aire comprimido. El compresor sin las tapas de protección. El hacerlo podría ocasionarle heridas o daños a su propiedad.

PELIGRO ¡Nunca trate de reparar o modificar el tanque! Al soldarlo, taladarle orificios o modificarlo de cualquier otro modo éste se debilitaría y podría romperse o explotar. Siempre reemplace los tanques desgastados, rotos o dañados.



AVISO Drene el tanque diariamente.

14. Los tanques se oxidan debido a la acumulación de humedad. Cerciórese de drenar el tanque con regularidad e inspéccionelo periódicamente para ver si no está en buenas condiciones, por ejemplo si está oxidado.

15. Si expulsa aire rápidamente podría levantar polvo o residuos dañinos. Libere el aire lentamente para drenar el tanque o liberar la presión del compresor.

PRECAUCIONES PARA ROCIAR

ADVERTENCIA Nunca rocíe materiales inflamables cerca de llamas al descubierto o fuentes de ignición, incluyendo el compresor.



16. No fume mientras esté rociando pintura, insecticidas u otras sustancias inflamables.

17. Use una máscara / respirador cuando vaya a rociar y siempre rocíe en un área bien ventilada, para evitar peligros de salud e incendios.



18. Nunca rocíe la pintura y otros materiales, directamente hacia el compresor. Coloque el compresor lo más lejos posible del área de trabajo, para minimizar la acumulación de residuos en el compresor.

19. Al rociar o limpiar con solventes o químicos tóxicos, siga las instrucciones del fabricante de dichos químicos.

Introducción

Vea la Figura 1.

PARA INSTALARLE UNA VALVULA DE CIERRE

Debe instalarle una válvula de cierre en el orificio de salida del tanque para controlar el flujo de aire que sale del tanque. La válvula se debe colocar entre el tanque y las tuberías.

Presostato - Sistema de encendido automático - En "auto", el compresor se apaga automáticamente cuando la presión del tanque alcanza la presión máxima fijada. Después de gastar el aire del tanque y que la presión baje al nivel bajo preajustado, el presostato automáticamente vuelve a prender el motor. En "off", el compresor no puede funcionar. El presostato debe estar en "off" cuando vaya a conectar o desconectar el cordón eléctrico del tomacorrientes.

Cuando el presostato apaga el motor usted podrá oír la salida de aire de la válvula de descarga del presostato por un breve tiempo. Esto descarga la presión de aire del tubo de descarga y permite que el compresor vuelva a arrancar con facilidad. Para las unidades sin presostato manual, cuando sea necesario poner el presostato en OFF, use el interruptor que corta la energía.

Descargador - Este instrumento ubicado en el presostato permite la salida de aire comprimido para facilitar que el motor arranque bajo presión.

Regulador - El regulador controla la presión de aire que sale por la manguera (Se vende por separado).

Válvula de Seguridad ASME - Esta válvula libera el aire automáticamente si la presión del tanque excede el nivel máximo fijado.

Tubo de Descarga - Este tubo transporta el aire comprimido del cabezal a la válvula de chequeo. Este tubo se calienta mucho durante el uso. Para evitar el riesgo de sufrir quemaduras severas, nunca toque el tubo de descarga.

Válvula de Chequeo - Esta válvula de un solo sentido permite la entrada de aire al tanque, pero evita que se regrese al cabezal.

Tapa de las Bandas - Cubre la banda, la polea del motor y el volante.

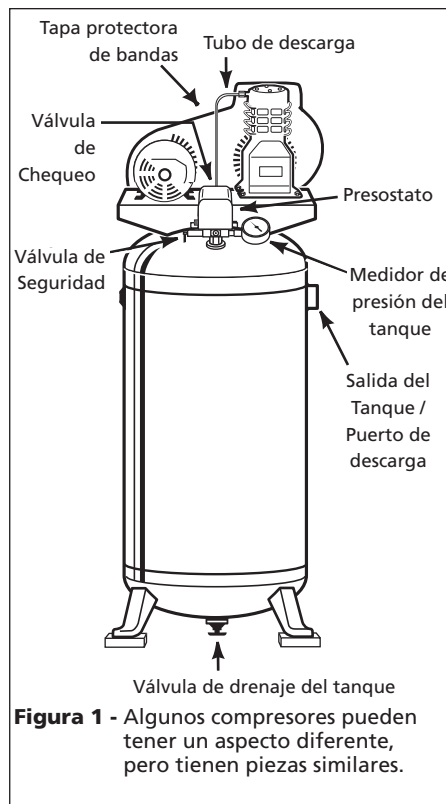


Figura 1 - Algunos compresores pueden tener un aspecto diferente, pero tienen piezas similares.

Válvula de drenaje del tanque -

Esta válvula está ubicada en la parte inferior del tanque. Úsela para drenar la humedad del tanque diariamente para reducir el riesgo de que el tanque se oxide.

Instalación

⚠ ADVERTENCIA

Desconecte el cordón eléctrico y amárrelo y después libere toda la presión del sistema antes de tratar de instalarlo, darle servicio o darle cualquier tipo de mantenimiento.



UBICACION

AVISO

Este compresor no está diseñado para instalarse a la intemperie.

Es sumamente importante que instale el compresor en un área limpia y bien ventilada donde la temperatura ambiental no exceda los 38,1° C.

La distancia mínima entre el volante del compresor o ventilador y la pared debe ser de 45,7 cm (18 inches) para tener acceso a la llave de drenaje sin inconvenientes.

No coloque la entrada de aire del compresor en un área donde haya vapor, se rocíe pintura o arena o haya ningún otro tipo de contaminación.

INSTALACION

⚠ PRECAUCION Nunca instale el compresor sobre las bases de madera usadas para transportarlo.

INSTALACION EN EL PISO (TODAS LAS UNIDADES)

DEBERA atornillar las patas a una superficie plana y nivelada, tal como un piso de concreto o una base de concreto aparte. **Debe** usar almohadillas aislantes entre las patas del tanque y el piso. **No apriete los pernos excesivamente.** (Parte núm. MP346100AJ, disponible por separado). Permita que las almohadillas absorban la vibración. Deberá instalar conexiones flexibles entre el tanque y las tuberías.

⚠ ADVERTENCIA La parte superior de este compresor es sumamente pesada. La unidad se atornilla al piso y colocarle almohadillas aislantes antes de utilizarla para evitar daños, heridas o la muerte.

⚠ ADVERTENCIA Nunca instale la válvula de cierre entre el cabezal y el tanque. Esto podría ocasionarle heridas y/o daños a su propiedad.

TUBERIAS

⚠ ADVERTENCIA Nunca use tuberías de plástico (PVC) en sistemas de aire comprimido. El hacerlo podría ocasionarle heridas o daños a su propiedad.

Todo tubo o manguera empleado debe estar capacitado para presiones de más de 150 psi. Tamaño mínimo recomendado para tubos:

- hasta 50 pies de largo: use 12,7 mm (1/2 inches)
- más de 50 pies: use 19,1 mm (3/4 inches)

Es siempre aconsejable usar diámetros mayores.

Instalación (Continuación)

Instalaciones Eléctricas

⚠ ADVERTENCIA *Todo el cableado e instalaciones eléctricas deberán ser realizados por un electricista calificado familiarizado con los controles de motores industriales. Las instalaciones deberán realizarse conforme a los códigos locales y nacionales.*



⚠ ADVERTENCIA

Desconecte el cordón eléctrico y amárrelo y después libere toda la presión del sistema antes de tratar de instalarlo, darle servicio o darle cualquier tipo de mantenimiento.



⚠ ADVERTENCIA

Si no instala el sistema de alambrado adecuado podría ocasionar sobrecalentamiento, cortocircuitos e incendios.

CONEXION A TIERRA

Este aparato debe estar conectado a tierra. Si la unidad trae un cordón instalado de fábrica, enchúfelo en una toma de tamaño apropiado y conectada a tierra.

Para las unidades que no traen cordón instalado de fábrica, instale un alambrado permanente desde la fuente de energía hasta el presostato, con un cable de tierra conectado al tornillo de tierra del presostato. El usuario puede también instalar un cordón de tamaño apropiado con enchufe y cable de tierra.

⚠ PELIGRO

Los artefactos eléctricos conectados a tierra incorrectamente constituyen un riesgo de electrocutamiento. Cerciórese de que todas las conexiones a tierra estén hechas adecuadamente.



ALAMBRADO

Los códigos locales de electricidad varían de un área a otra. El sistema de alambrado, los enchufes y protectores deben cumplir con el voltaje y amperaje indicado en la placa del motor. Igualmente, éstos deben cumplir con los códigos locales de electricidad. Use un fusible tipo T de acción retardada.

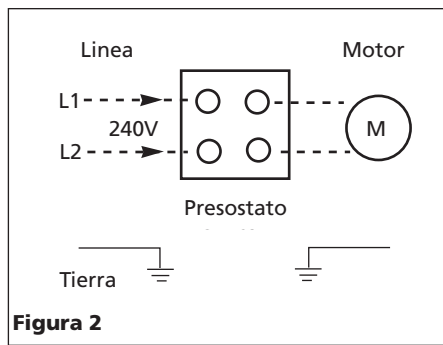


Figura 2

AVISO

Un cableado inadecuado provocará daños por sobrecalentamiento, cortocircuitos e incendio.

Necesitará lo siguiente para una instalación adecuada:

1. Un disyuntor bipolar de 240 voltios.

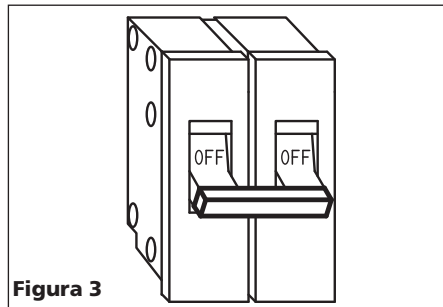


Figura 3

2. Un voltímetro.

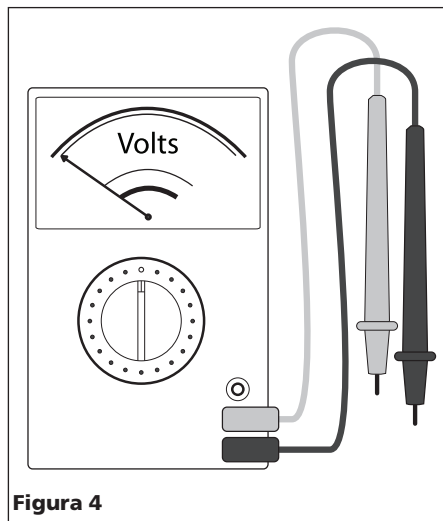


Figura 4

Tamaños mínimos de cable (la mayoría cumplen con todos los códigos)

Hasta 1,9 m (75 pies) de largo 12AWG

Mayor que 1,9 m (75 pies) 10AWG

Recomendado para usar 10 AWG

Confirme el voltaje adecuado - debe ser realizado por un electricista calificado.

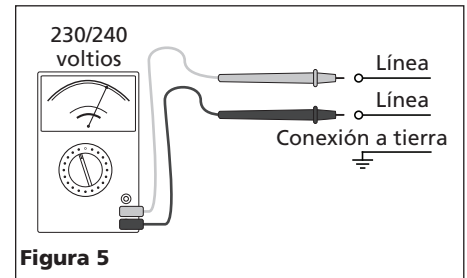


Figura 5

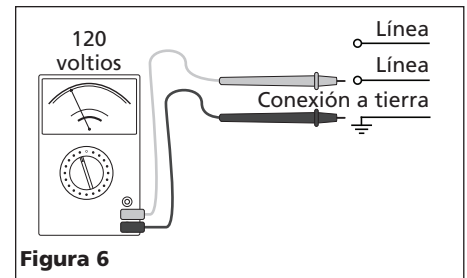


Figura 6

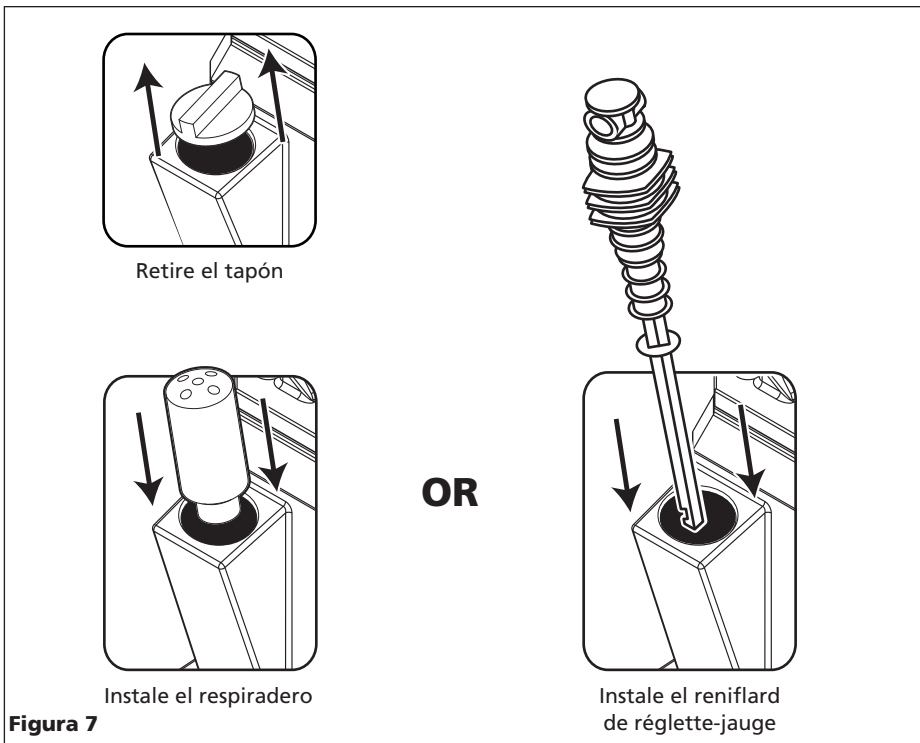


Figura 7

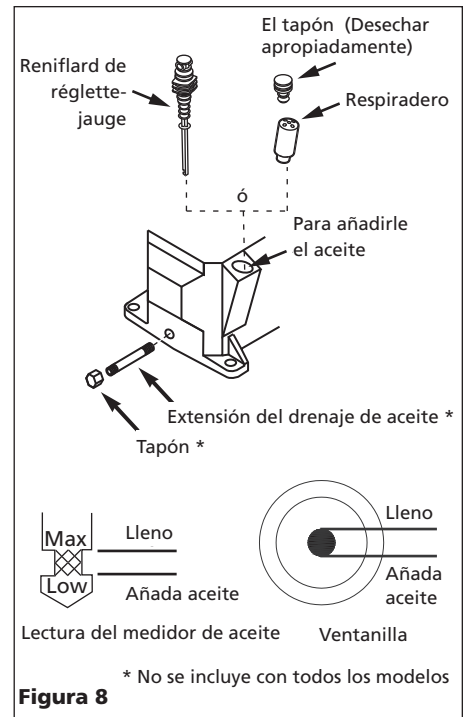


Figura 8

Ensamblaje

ACCESORIOS ADICIONALES NECESARIOS

Compre una manguera, un regulador y una válvula de cierre diseñados para presiones mínimas de 10,3 bar y que excedan las presiones máximas de trabajo del compresor.

INSTALACIÓN DEL RESPIRADERO

Retire el tapón del orificio para llenar el aceite. Instale el respiradero (se encuentra en la bolsa de las piezas con este manual). Vea la Figura 7.

EXTENSION PARA DRENAR EL ACEITE

Algunos modelos traen una extensión para el sistema de drenaje de aceite y una tapa (se encuentra en la bolsa de repuestos con este manual o colgando del cilindro). Instale la extensión y la tapa antes de añadirle aceite al cabezal. Para evitar fugas de aceite, aplique sellador para roscas de tuberías o cinta para roscas a las roscas de cada extremo de la extensión del drenaje de aceite. Atornille la tapa en uno de los extremos de la extensión, quítele el tapón a la base del cabezal e instálele la extensión (Vea las Figuras 8 y 9).

LUBRICACION

¡PRECAUCION! *¡VERIFIQUE EL NIVEL DE ACEITE ADECUADO ANTES DE PONER EN FUNCIONAMIENTO!*
ALGUNOS MODELOS SE ENVÍAN CON ACEITE EN LA BOMBA.

Cerciérese de haberle instalado la extensión para drenar el aceite y la tapa (si se incluyen), sáquele la varilla al respiradero (Vea la Figura 8) y llénelo de aceite según se le indica en la tabla.

La etiqueta en el tanque de aire especifica el modelo del cabezal y la tabla en este manual le indica la capacidad de aceite para cada modelo.

Cabezal	Cap. Aprox. de Aceite
VT4700	0,25 L
VH3000	0,95 L

ACEITE

Use aceite SAE 30 de calidad industrial para compresores de aire o un sintético tipo Mobil 1 10W30. No use aceite normal para vehículos. Los aditivos en los aceites para motores pueden ocasionar depósitos de residuos en las válvulas y reducir la duración del cabezal. Para lograr la máxima duración del cabezal, drene el aceite y cámbielo después de la primera hora de funcionamiento.

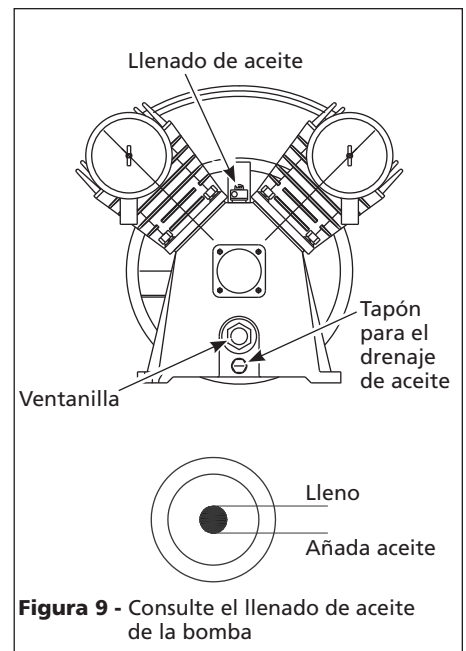


Figura 9 - Consulte el llenado de aceite de la bomba

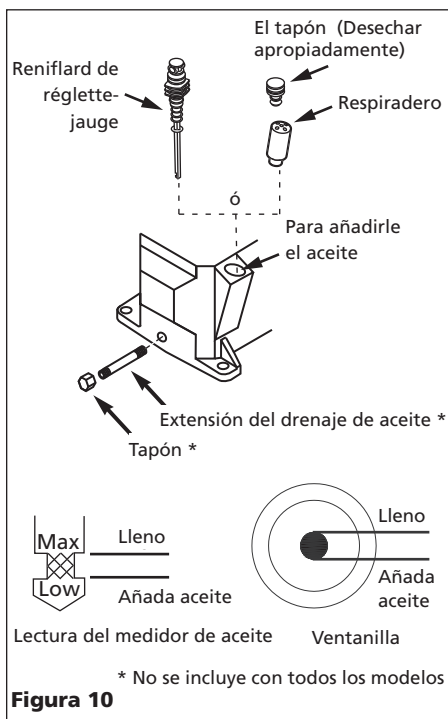
Funcionamiento

PREPARACION PARA EL USO / PROCEDIMIENTO DE ABLANDE

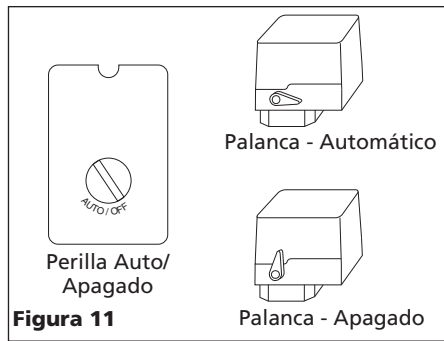
⚠ PRECAUCION *No conecte las herramientas neumáticas al extremo de la manguera hasta terminar el proceso de preparación para el uso y se haya cerciorado de que la unidad está lista para funcionar.*

⚠ ADVERTENCIA *¡Nunca desconecte las conexiones con roscas antes de liberar la presión del tanque!*

1. Quite la tapa de la abertura de llenado de aceite. Llene la bomba con el nivel de aceite adecuado (vea la Figura 10). Instale el respiradero (se encuentra en la bolsa de repuestos con este manual o colgando del cilindro).



2. Abra la válvula de drenaje del tanque. Abra la llave de salida para permitir el flujo de aire.
3. Mueva la palanca o perilla del presostato a la posición OFF y enchufe el cordón de alimentación. Coloque la palanca del presostato en AUTO para encender la unidad (Vea la Figura 11).
4. Haga funcionar la unidad durante 30 minutos a 0 (cero) psi (sin carga) para ablandar las piezas de la bomba.



5. Mueva la palanca o perilla del presostato a la posición OFF y gire la válvula de drenaje del tanque para cortar el flujo de aire. El compresor estará listo para funcionar.

Mantenimiento

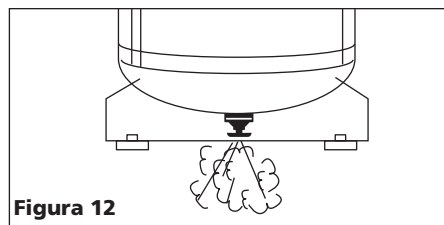
⚠ ADVERTENCIA *Desconecte el cordón eléctrico y amárrelo y después libere toda la presión del sistema antes de tratar de instalarlo, darle servicio o darle cualquier tipo de mantenimiento.*

Todos los trabajos de reparación los debe hacer un técnico autorizado.

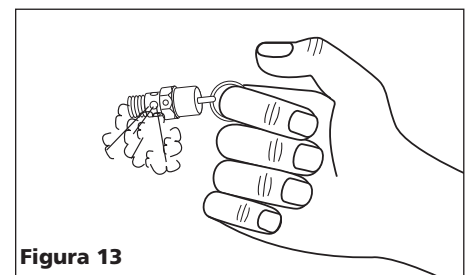
PARA EL FUNCIONAMIENTO EFICIENTE:

Realice el siguiente plan de mantenimiento.

1. Mantenga un nivel de aceite adecuado. Consulte la sección de lubricación para obtener detalles.
2. Drene el tanque. Apague el compresor y libere toda la presión, después: Abra la llave de drenaje, ubicada debajo del tanque, para drenarle toda la humedad (Vea la Figura 12).



3. Cerciórese de que el filtro esté limpio. Para darle servicio al filtro deberá destaparlo. Desconecte el filtro y límpielo con agua caliente enjabonada (Los filtros de papel no se pueden lavar). Sacúdalo y déjelo secar. Reemplace los filtros de aire que no se puedan limpiar. Coloque el filtro dentro de la base y tápelo.
4. Revise la válvula de seguridad siguiendo los siguientes pasos:
 - a. Enchufe el compresor y hágalo funcionar hasta que se alcance la presión de corte (consulte Funcionamiento).
 - b. Usando gafas de protección, tire del anillo de la válvula de seguridad para liberar la presión del tanque del compresor. Protéjase contra el aire a alta velocidad que se libera; no permita que el aire a alta velocidad quede dirigido hacia su rostro (vea la Figura 13).



HUMEDAD EN EL AIRE COMPRIMIDO

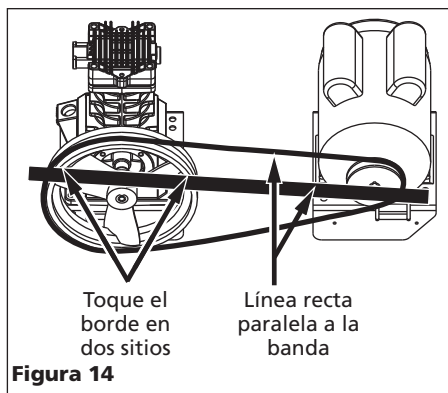
La humedad que se acumula en el aire comprimido se convierte en gotas a medida que sale del cabezal. Cuando el nivel de humedad es muy alto o cuando el compresor ha estado en uso continuo por mucho tiempo, esta humedad se acumulará en el tanque. Cuando esté pintando o rociando arena, la humedad saldrá del tanque mezclada con el material que esté rociando.

¡IMPORTANTE! Esta condensación ocasionará manchas en la pintura, especialmente cuando esté pintando con pinturas que no sean a base de agua. Si está rociando arena, la humedad hará que la arena se aglutine y obstruya la pistola. Instale un filtro de línea, ubicado lo más cerca posible de la pistola, para tratar de eliminar este problema.

MANTENIMIENTO				
SERVICIO NECESARIO	DIARIAMENTE	SEMANALMENTE	MENSUALMENTE	TRIMESTRALMENTE
MIDA EL NIVEL DE ACEITE	●			
DRENE EL TANQUE	●			
CHEQUEE EL FILTRO DE AIRE		●		
CHEQUEE LA VÁLVULA DE SEGURIDAD		●		
LIMPIE LA UNIDAD			●	
CHEQUEE LA TENSIÓN DE LAS BANDAS			●	
CÁMBIELE EL ACEITE				●

Mantenimiento (Continuación)

- c. Esta válvula de seguridad debería cerrarse automáticamente a 40-50 PSI. Si la válvula de seguridad no deja salir aire cuando tira del anillo o si no se cierra automáticamente, DEBE ser reemplazada.
5. Con el motor APAGADO y desconectado, limpie el motor, el volante, el tanque, las líneas de aire y las aletas de enfriamiento del cabezal.
6. Revise la correa para detectar señales de desgaste excesivo. Si la correa muestra señales de desgaste, reemplácela. Revise la correa para verificar una tensión y alineación adecuadas. Para ajustar la correa:
 - a. Quítele la tapa protectora de la banda.
 - b. Retire la correa.
 - c. Afloje los cuatro pernos que unen el motor a la base.
 - d. Mueva el motor en la dirección adecuada. Apriete los cuatro sujetadores que sostienen el motor a la placa de la base. Después de hacer los ajustes, debe alinear la banda.
 - e. Para alinear la banda, coloque un objeto recto entre dos puntos del volante (Vea la Figura 14).



- f. Ajuste el volante o la polea del motor de modo que las bandas estén paralelas al objeto recto de referencia (Vea la Figura 14).
- g. Si es necesario, use un sacaengranaje para mover la polea en el eje del motor. Apriete los pernos una vez que la polea esté en su sitio.
- h. Vuelva a colocar la correa.
- i. Vuelva a colocar la protección de la correa.

7. Cambie el aceite

- a. Encienda el compresor y deje que caliente el aceite. Desenchufe la unidad.
- b. Coloque una bandeja debajo del extremo de la unidad donde se encuentra la bomba.
- c. Retire el tapón de drenaje del aceite (Vea las figuras 8 y 9). Deje que el aceite se recoja en la bandeja.
- d. Vuelva a colocar el tapón de drenaje, llene la bomba al nivel de lleno (vea las figura 8 y 9). Use el aceite de motor sintético Mobil 1 10W-30.

ASISTENCIA TÉCNICA

Para recibir información sobre el funcionamiento o reparación de la unidad, sírvase llamar al 1-800-543-6400 (en EUA).

Guía de Diagnóstico de Averías

Problema	Posible(s) Causa(s)	Acción a Tomar
Baja presión de descarga	<ol style="list-style-type: none"> 1. La demanda de aire excede la capacidad de la bomba 2. Entrada de aire restringida 3. Pérdidas de aire (conexiones, tubería del compresor, o tubería fuera del sistema) 4. Juntas defectuosas 5. Válvulas dañadas o con pérdidas. 	<ol style="list-style-type: none"> 1. Reduzca la demanda de aire o utilice un compresor de mayor capacidad. 2. Limpie o cambie el elemento del filtro de aire. 3. Escuche para detectar pérdidas de aire. Aplique una solución jabonosa a todos los accesorios y conexiones. Aparecerán burbujas en los puntos donde existan pérdidas. Ajuste o reemplace los accesorios o conexiones con pérdidas. Use sellador para roscas de tuberías. 4. Reemplace cualquier junta que pruebe estar defectuosa al inspeccionarla. 5. Quite el cabezal e inspecciónelo para detectar posibles roturas de la válvula, válvulas desalineadas, asientos de válvulas dañados, etc. Reemplace las piezas defectuosas y vuelva a armar.
		<p>▲ PRECAUCION <i>Instale una nueva junta para el cabezal cada vez que éste sea quitado.</i></p>
El sobrecalentamiento de la bomba derrite el filtro	<ol style="list-style-type: none"> 1. No está la junta de aislamiento entre el filtro y el cabezal 2. Válvulas rotas/juntas defectuosas 	<ol style="list-style-type: none"> 1. Instale la junta. 2. Reemplace las válvulas o instale una junta nueva.
Ruido excesivo (golpeteo)	<ol style="list-style-type: none"> 1. Afloje la polea o el volante del motor 2. Afloje los sujetadores de la bomba o el motor 3. Falta de aceite en el cárter 4. Biela gastada 5. Diámetros del eje del émbolo desgastados 6. El émbolo pega contra la placa de la válvula 7. Válvula de verificación ruidosa en el sistema del compresor 	<ol style="list-style-type: none"> 1. Apriete los pernos de fijación y los tornillos de fijación de la polea / volante. 2. Apriete los sujetadores 3. Controle si el nivel de aceite es el adecuado; si está bajo, verifique la posibilidad de que los cojinetes estén dañados. El aceite sucio puede causar un desgaste excesivo. 4. Reemplace la biela. Mantenga el nivel de aceite y cambie el aceite con más frecuencia. 5. Quite los ensamblajes del émbolo del compresor e inspecciónelos para detectar un desgaste excesivo. Reemplace el eje del émbolo(s) si está excesivamente desgastado o según necesario. Mantenga el nivel de aceite y cambie el aceite con más frecuencia. 6. Quite el cabezal del compresor y la placa de la válvula e inspeccione para detectar depósitos de carbón u otros elementos extraños en la cabeza del émbolo. Vuelva a colocar el cabezal y la placa de la válvula utilizando una junta nueva. Consulte la sección de lubricación para el aceite recomendado. 7. Cambie la válvula de retención.
		<p>▲ PELIGRO <i>No desarme la válvula de verificación con presión de aire en el tanque.</i></p>
Aceite excesivo en el aire de descarga. NOTA: En un compresor lubricado con aceite siempre hay una pequeña cantidad de aceite en el flujo de aire.	<ol style="list-style-type: none"> 1. Aros del émbolo desgastado 2. La entrada de aire del compresor está restringida 3. Demasiado aceite en el compresor 4. Viscosidad del aceite equivocada 	<ol style="list-style-type: none"> 1. Reemplácelos con aros nuevos. Mantenga el nivel de aceite y cambie el aceite con más frecuencia. 2. Limpie o reemplace el filtro. Verifique otras restricciones en el sistema de entrada. 3. Escúrralo hasta que alcance el nivel de lleno. 4. Use Mobil 1[®] 10W-30.
Agua en el aire de salida o en el tanque	Operación normal. La cantidad de agua aumenta con el clima húmedo	<ol style="list-style-type: none"> 1. Drene el tanque con más frecuencia. Al menos diariamente. 2. Agregue un filtro
El motor zumba y funciona lentamente o no funciona en lo absoluto	<ol style="list-style-type: none"> 1. Voltaje bajo 2. Demasiados dispositivos en el mismo circuito 3. Conexiones eléctricas sueltas 	<ol style="list-style-type: none"> 1. Verifique el voltaje de entrada. Debería ser de aproximadamente 230 voltios. El motor no funcionará adecuadamente con 208 voltios. El bajo voltaje podría deberse a los cables (de la fuente eléctrica al compresor) si son de un diámetro demasiado pequeño y/o demasiado largos. Haga que un electricista calificado revise estas condiciones y haga las reparaciones que sean necesarias. 2. Limite el circuito al uso del compresor únicamente 3. Verifique todas las conexiones eléctricas.

Guía de Diagnóstico de Averías (Continuación)

Problema	Posible(s) Causa(s)	Acción a Tomar
El motor zumba y funciona lentamente o no funciona en lo absoluto (Continuación)	4. Malfuncionamiento del interruptor presión, los contactos no se cierran	4. Reemplace el interruptor de presión.
	5. Malfuncionamiento de la válvula de verificación	5. Reemplace la válvula de verificación. ⚠ PELIGRO <i>No desarme la válvula de verificación con presión de aire en el tanque.</i>
	6. Válvula de descarga defectuosa en el interruptor de presión	6. Cambie la válvula de descarga
	7. Condensador(es) del motor defectuoso(s)	7. Cambie el condensador o condensadores
	8. Motor defectuoso	8. Cambie el motor
El mecanismo de reajuste corta reiteradamente o el disyuntor se dispara reiteradamente	1. Falta de ventilación adecuada/ temperatura ambiente demasiado alta	1. Mueva el compresor a un área bien ventilada
	2. Demasiados aparatos en el mismo circuito	2. Use sólo el compresor de aire en el circuito.
	3. Entrada de aire limitada	3. Limpie o reemplace el elemento del filtro
	4. Conexiones eléctricas sueltas	4. Verifique todas las conexiones eléctricas
	5. La presión de apagado del interruptor de presión está ajustada a un valor demasiado alto	5. Cambie el interruptor de presión.
	6. Malfuncionamiento de la válvula de verificación	6. Reemplace la válvula de verificación. ⚠ PELIGRO <i>No desarme la válvula de verificación con presión de aire en el tanque.</i>
	7. Válvula de descarga defectuosa en el interruptor de presión	7. Cambie la válvula de descarga
	8. Condensador(es) del motor defectuoso(s)	8. Cambie el condensador o condensadores
	9. Malfuncionamiento del motor	9. Reemplace el motor.
El tanque no mantiene la presión cuando el compresor está apagado y la válvula de cierre está cerrada	1. Fugas de aire (conexiones, tubería del compresor, o tubería fuera del sistema)	1. Revise todas las conexiones con una solución de agua y jabón. Apriete; o retire y aplique sellador a las rosas, después vuelva a ensamblar.
	2. Válvula desgastada	2. Reemplace la válvula. ⚠ PELIGRO <i>No desarme la válvula de verificación con presión de aire en el tanque.</i>
	3. Revise el tanque para detectar fisuras o perforaciones	3. Reemplace el tanque. Nunca repare un tanque dañado.
El interruptor de presión tira continuamente aire por la válvula de descarga	Malfuncionamiento de la válvula	Cambie la válvula de retención si la válvula de descarga en el interruptor de presión se drena constantemente cuando se apaga la unidad. ⚠ PELIGRO <i>No desarme la válvula de verificación con presión de aire en el tanque.</i>
El interruptor de presión no libera el aire cuando la unidad de apaga	Malfuncionamiento de la válvula de descarga en el interruptor de presión	Cambie la válvula de descarga si no libera la presión en un breve período de tiempo cuando la unidad se apaga. ⚠ PELIGRO <i>No desarme la válvula de verificación con presión de aire en el tanque.</i>
Vibración excesiva	1. Afloje los sujetadores de la bomba o el motor	1. Apriete los sujetadores.
	2. La correa necesita ser reemplazada	2. Reemplace la correa con otra del tamaño adecuado.
	3. Alineación de la correa	3. Alinee el volante y la polea.

Garantía Limitada

1. DURACIÓN: A partir de la fecha de compra por el comprador original tal como se especifica a continuación: Un Año, Dos Años, Tres Años, Cuatro Años o Cinco Años como se indica en la etiqueta de características del producto.
 2. QUIEN OTORGA ESTA GARANTÍA (EL GARANTE: Campbell Hausfeld / The Scott Fetzer Company 100 Production Drive, Harrison, Ohio 45030 Teléfono: (800) 543-6400
 3. QUIEN RECIBE ESTA GARANTÍA (EL COMPRADOR): El comprador original (que no sea un revendedor) del producto Campbell Hausfeld.
 4. PRODUCTOS CUBIERTOS POR ESTA GARANTÍA: Cualquier compresor de aire Campbell Hausfeld.
 5. COBERTURA DE LA GARANTÍA: Piezas y Mano de Obra para remediar defectos importantes debidos a material y mano de obra durante el primer año de propiedad con las excepciones indicadas a continuación. Piezas solamente para remediar defectos importantes debidos a material y mano de obra durante el tiempo de cobertura que quede con las excepciones indicadas a continuación.
 6. LO QUE NO ESTÁ CUBIERTO POR ESTA GARANTÍA:
 - A. Las garantías implícitas, incluyendo aquéllas de comerciabilidad e IDONEIDAD PARA FINES PARTICULARES, ESTÁN LIMITADAS A PARTIR DE LA FECHA DE COMPRA ORIGINAL DE ACUERDO CON LO ESPECIFICADO EN EL PÁRRAFO DE DURACIÓN. Si el compresor de aire es empleado para uso comercial, industrial o para renta, la garantía será aplicable por noventa (90) días a partir de la fecha de compra. La garantía de los compresores de dos etapas no se limita a los 90 (noventa) días cuando éstos se usen para trabajos comerciales o industriales. En algunos estados no se permiten las limitaciones a la duración de una garantía implícita, por lo cual las limitaciones antedichas pueden no ser aplicables en su caso.
 - B. CUALQUIER PÉRDIDA DAÑO INCIDENTAL, INDIRECTO O CONSECUENTE QUE PUEDA RESULTAR DE UN DEFECTO, FALLA O MALFUNCIONAMIENTO DEL PRODUCTO CAMPBELL HAUSFELD. En algunos estados no se permite la exclusión o limitación de daños incidentales o consecuentes, por lo tanto, en tales casos esta limitación o exclusión no es aplicable.
 - C. Cualquier falla que resulte de un accidente, abuso, negligencia o incumplimiento de las instrucciones de funcionamiento y uso indicadas en el (los) manual(es) que se adjunta(n) al compresor.
 - D. Los servicios requeridos antes de la entrega tales como: ensamblaje, aceite o lubricantes y ajustes.
 - E. Artículos o servicios normalmente requeridos para el mantenimiento del producto, tales como: lubricantes, filtros, empaques, etc.
 - F. Los motores de gasolina están específicamente excluidos de la cobertura de esta garantía limitada. El comprador debe seguir las cláusulas de la garantía otorgada por el fabricante del motor de gasolina que se suministra con el producto.
 - G. Artículos adicionales no cubiertos bajo esta garantía:
 1. Piezas excluidas que pertenecen a Todos los Compresores
 - a. Cualquier componente dañado durante el envío o cualquier daño ocasionado por haber instalado u operado la unidad bajo condiciones contrarias a lo indicado en las instrucciones para instalar u operar la unidad o daños ocasionados por el contacto con herramientas o los alrededores.
 - b. Daños del cabezal o las válvulas ocasionados por la lluvia, humedad excesiva, agentes corrosivos u otros contaminantes.
 - c. Daños de apariencia que no afecten el funcionamiento del compresor.
 - d. Tanques oxidados, incluyendo pero no limitado al óxido debido al drenaje inadecuado u agentes corrosivos en el ambiente.
 - e. Las siguientes piezas se consideran artículos sujetos a desgaste normal y no son cubiertas después del primer año de propiedad. Motor eléctrico, válvula de retención, interruptor de presión, regulador, manómetros, mangueras, tuberías, tubos, accesorios y acoples, tornillos, tuercas, artículos de ferretería, correas, poleas, volante, filtro de aire y caja, juntas, sellos, pérdidas de aceite, pérdidas de aire, consumo o uso de aceite, anillos del pistón.
 - f. Llaves de drenaje
 - g. Daños debidos al alambrado incorrecto o conexión a circuitos con voltaje inadecuados para la unidad.
 - h. Otros artículos no enumerados pero considerados de desgaste general.
 - i. Presostatos, controles de flujo de aire y válvulas de seguridad cuyos parametros fijados de fábrica se modifiquen.
 - j. Daño por mantenimiento inadecuado del filtro.
 - k. Motores de inducción alimentados con electricidad producida por un generador.
 2. Compresores lubricados:
 - a. Daños del cabezal o las válvulas debidos al uso de aceites no especificados.
 - b. Daños del cabezal o las válvulas debidos a cualquier contaminación del aceite o por no haber seguido las instrucciones de lubricación.
 - c. Desgaste o daño de la bomba causados por el no haber aplicado apropiadamente los criterios de mantenimiento en referencia al aceite, funcionamiento con nivel de aceite por debajo del nivel apropiado o funcionamiento sin aceite.
 - H. Mano de obra, llamadas de servicio o cargos por concepto de transporte después del primer año de propiedad de compresores estacionarios. Los compresores estacionarios se identifican por no tener asidero o ruedas.
 7. RESPONSABILIDADES DEL GARANTE BAJO ESTA GARANTÍA: Reparar o reemplazar, como lo decida el Garante, el compresor o componentes que estén defectuosos, se hayan dañado o hayan dejado de funcionar adecuadamente, durante el período de validez de la garantía.
 8. RESPONSABILIDADES DEL COMPRADOR BAJO ESTA GARANTÍA:
 - A. Suministrar prueba fechada de compra y la historia de mantenimiento del producto.
 - B. Entregar o enviar los compresores de aire portátiles o componentes al Centro de Servicio autorizado Campbell Hausfeld más cercano. Los gastos de flete, de haberlos, deben ser pagados por el comprador.
 - C. Tener cuidado al utilizar el producto, tal como se indica(n) en el (los) manual(es) del propietario.
 - D. Reparaciones que requieran tiempo adicional al horario normal de trabajo, o cualquier asunto que exceda la tarifa normal de reembolso por mano de obra para reparaciones bajo la garantía del fabricante.
 - E. El tiempo requerido por cualquier control de seguridad, capacitación relacionada con seguridad, o asuntos similares necesarios para que el personal de servicio pueda tener acceso a las instalaciones.
 - F. La ubicación de la unidad debe tener espacio suficiente para que el personal de servicio pueda realizar reparaciones y debe ser fácilmente accesible.
 9. CUÁNDO EFECTUARÁ EL GARANTE LA REPARACIÓN O REEMPLAZO CUBIERTO BAJO ESTA GARANTÍA: La reparación o reemplazo dependerá del flujo normal de trabajo del centro de servicio y de la disponibilidad de repuestos.
- Esta garantía limitada es válida sólo en los EE.UU., Canadá y México y otorga derechos legales específicos. Usted también puede tener otros derechos que varían de un Estado a otro. o de un país a otro.

