

Please read and save these instructions. Read carefully before attempting to assemble, install, operate or maintain the product described. Protect yourself and others by observing all safety information. Failure to comply with instructions could result in personal injury and/or property damage! Retain instructions for future reference.



Oilless Compressors

Table of Contents

Description 1
 Unpacking 1
 Safety Guidelines 1
 Important Safety Information 2
 Installation..... 2
 Definition of Terms..... 3
 Operation 4
 User-Maintenance Instructions 5
 Troubleshooting Chart 5
 Replacement Parts 6
 Limited Warranty 8

Description

Oilless compressors are designed for do-it-yourselfers with a variety of home and automotive jobs. These units operate without oil. Compressed air from this unit will contain moisture. Install a water filter or air dryer if application requires dry air.

Unpacking

After unpacking the unit, inspect carefully for any damage that may have occurred during transit. Make sure to tighten fittings, bolts, etc., before putting unit into service. In case of questions, damaged or missing parts, please call 1-800-543-6400 for customer assistance.

CAUTION Do not operate unit if damaged during shipping, handling or use. Damage may result in bursting and cause injury or property damage.

STOP!
 DO NOT RETURN THE PRODUCT TO THE RETAILER! CALL 1-800-543-6400

Have the model number, serial number, and parts list (with missing parts circled) before calling.



Record the Model Number, Serial Number, and date of purchase located on the base below the pump in the space below.

Model Number: _____

Serial Number: _____

Date of Purchase: _____

Retain these numbers for future reference.

Safety Guidelines

This manual contains information that is very important to know and understand. This information is provided for SAFETY and to PREVENT EQUIPMENT PROBLEMS. To help recognize this information, observe the following symbols.

DANGER Danger indicates an imminently hazardous situation which, if not avoided, WILL result in death or serious injury.

WARNING Warning indicates a potentially hazardous situation which, if not avoided, COULD result in death or serious injury.

DANGER

Breathable Air Warning

This compressor/pump is not equipped and should not be used "as is" to supply breathing quality air. For any application of air for human consumption, the air compressor/pump will need to be fitted with suitable in-line safety and alarm equipment. This additional equipment is necessary to properly filter and purify the air to meet minimal specifications for Grade D breathing as described in Compressed Gas Association Commodity Specification G 7.1 - 1966, OSHA 29 CFR 1910.134, and/or Canadian Standards Associations (CSA).

DISCLAIMER OF WARRANTIES

In the event the compressor is used for the purpose of breathing air application and proper in-line safety and alarm equipment is not simultaneously used, existing warranties shall be voided, and Campbell Hausfeld disclaims any liability whatsoever for any loss, personal injury or damage.

CAUTION Caution indicates a potentially hazardous situation which, if not avoided, MAY result in minor or moderate injury.

NOTICE Notice indicates important information, that if not followed, may cause damage to equipment.

NOTE: Information that requires special attention.

REMINDER: Keep your dated proof of purchase for warranty purposes! Attach it to this manual or file it for safekeeping.

Important Safety Instructions

INSTRUCTIONS PERTAINING TO A RISK OF FIRE, ELECTRIC SHOCK, OR INJURY TO PERSONS

This manual contains safety, operational and maintenance information. Contact your Campbell Hausfeld representative if you have any questions.

CALIFORNIA PROPOSITION 65

⚠ WARNING *This product or its power cord may contain chemicals known to the State of California to cause cancer and birth defects or other reproductive harm. Wash hands after handling.*

⚠ WARNING

You can create dust when you cut, sand, drill or grind materials such as wood, paint, metal, concrete, cement, or other masonry. This dust often contains chemicals known to cause cancer, birth defects, or other reproductive harm. Wear protective gear.



GENERAL

Since the air compressor and other components used (filters, lubricators, hoses, etc.), make up a high pressure pumping system, the following safety precautions must be observed at all times:

1. Read all manuals included with this product carefully. Be thoroughly familiar with the controls and the proper use of the equipment.
2. Follow all local electrical and safety codes as well as in the US, National Electrical Codes (NEC) and Occupational Safety and Health Act (OSHA).
3. Only persons well acquainted with these rules of safe operation should be allowed to use the compressor.
4. Keep visitors away and NEVER allow children in the work area.
5. Wear safety glasses and use hearing protection when operating the pump or unit.
6. Do not stand on or use the pump or unit as a handhold.
7. Before each use, inspect compressed air system and electrical components for signs of damage, deterioration, weakness or leakage.



Repair or replace defective items before using.

8. Check all fasteners at frequent intervals for proper tightness.

⚠ WARNING

Motors, electrical equipment and controls can cause electrical arcs that will ignite a flammable gas or vapor. Never operate or repair in or near a flammable gas or vapor. Never store flammable liquids or gases in the vicinity of the compressor.



⚠ CAUTION

Compressor parts may be hot even if the unit is stopped.



9. Keep fingers away from a running compressor; fast moving and hot parts will cause injury and/or burns.
10. If the equipment should start to abnormally vibrate, STOP the engine/motor and check immediately for the cause. Vibration is generally a warning of trouble.
11. To reduce fire hazard, keep engine/motor exterior free of oil, solvent, or excessive grease.

⚠ CAUTION

Never remove or attempt to adjust safety valve. Keep safety valve free from paint and other accumulations.

⚠ DANGER

Never attempt to repair or modify a tank! Welding, drilling or any other modification will weaken the tank resulting in damage from rupture or explosion. Always replace worn or damaged tanks.



⚠ CAUTION

Drain liquid from tank daily.

12. Tanks rust from moisture build-up, which weakens the tank. Make sure to drain tank daily and inspect periodically for unsafe conditions such as rust formation and corrosion.
13. Fast moving air will stir up dust and debris which may be harmful. Release air slowly when draining moisture or depressurizing the compressor system.
14. Indoor use only.
15. To reduce the risk of electrical shock, do not expose to rain. Store indoors.

SPRAYING PRECAUTIONS

⚠ CAUTION

Do not spray flammable materials in vicinity of open flame or near ignition sources including the compressor unit.



16. Do not smoke when spraying paint, insecticides, or other flammable substances.
17. Use a face mask / respirator when spraying and spray in a well ventilated area to prevent health and fire hazards.
18. Do not direct paint or other sprayed material at the compressor. Locate compressor as far away from the spraying area as possible to minimize overspray accumulation on the compressor.
19. When spraying or cleaning with solvents or toxic chemicals, follow the instructions provided by the chemical manufacturer.



HOSE PRECAUTIONS

20. Inspect hose before use.

⚠ WARNING

Do not exceed working pressure marked on hose.



⚠ WARNING

Do not twist, bend knot, or abrade hose.

21. Do not wrap hose around body.

⚠ WARNING

Keep away from hot surfaces and chemicals.

**SAVE THESE INSTRUCTIONS
DO NOT DISCARD**

Installation

LUBRICATION

This is an oilless product and **DOES NOT** require lubrication to operate.

LOCATION

It is extremely important to use the compressor in a clean, well ventilated area where the surrounding air temperature will not be more than 100°F.

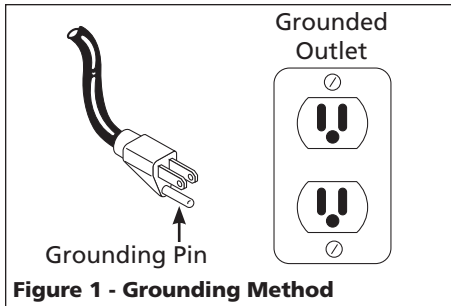
A minimum clearance of 18 inches between the compressor and a wall is required because objects could obstruct air flow.

Installation (Continued)

CAUTION Do not locate the compressor air inlet near steam, paint spray, sandblast areas or any other source of contamination. This debris will damage the motor.

GROUNDING INSTRUCTIONS

1. This product is for use on a nominal 120 volt circuit and has a grounding plug that looks like the plug illustrated in Figure 1. Make sure the product is connected to an outlet having the same configuration as the plug. This product must be grounded. In the event of an electrical short circuit, grounding reduces risk of electrical shock by providing an escape wire for electric current. This product is equipped with a cord having a grounding wire with an appropriate grounding plug. Plug must be plugged into an outlet that is properly installed and grounded in accordance with all local codes and ordinances.



DANGER Improper use of grounding plug can result in a possible risk of electrical shock!



DANGER Do not use a grounding adapter with this product!

2. If repair or replacement of cord or plug is necessary, do not connect grounding wire to either flat blade terminal. The wire with insulation having an external surface that is green (with or without yellow stripes) is the grounding wire.

WARNING Never connect green (or green and yellow) wire to a live terminal.

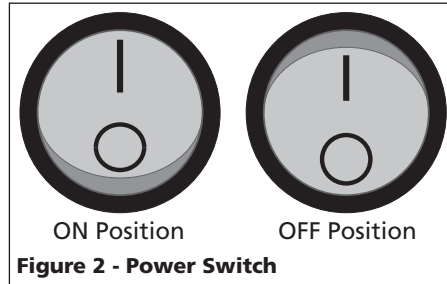
3. Check with a qualified electrician or serviceman if grounding instructions are not completely understood, or if in doubt as to whether product is properly grounded. Do not modify plug provided; if it will not fit outlet,

have proper outlet installed by a qualified electrician.

CAUTION Overheating, short-circuiting and fire damage will result from inadequate wiring, etc.

Definition of Terms

ON / OFF Switch (I / O) - Push switch to the ON (I) position to turn compressor on. Push switch to the OFF (O) position to turn compressor off. This switch should be in the OFF (O) position when connecting / disconnecting power cord from electrical outlet or when changing tools.



Pressure Switch (located internally) - When the compressor is turned ON, this switch will shut compressor off automatically when tank pressure reaches maximum shut-off / cut-out pressure. If compressor remains on and air is depleted from tank, this switch will allow compressor to automatically restart at the restart / cut-in pressure.

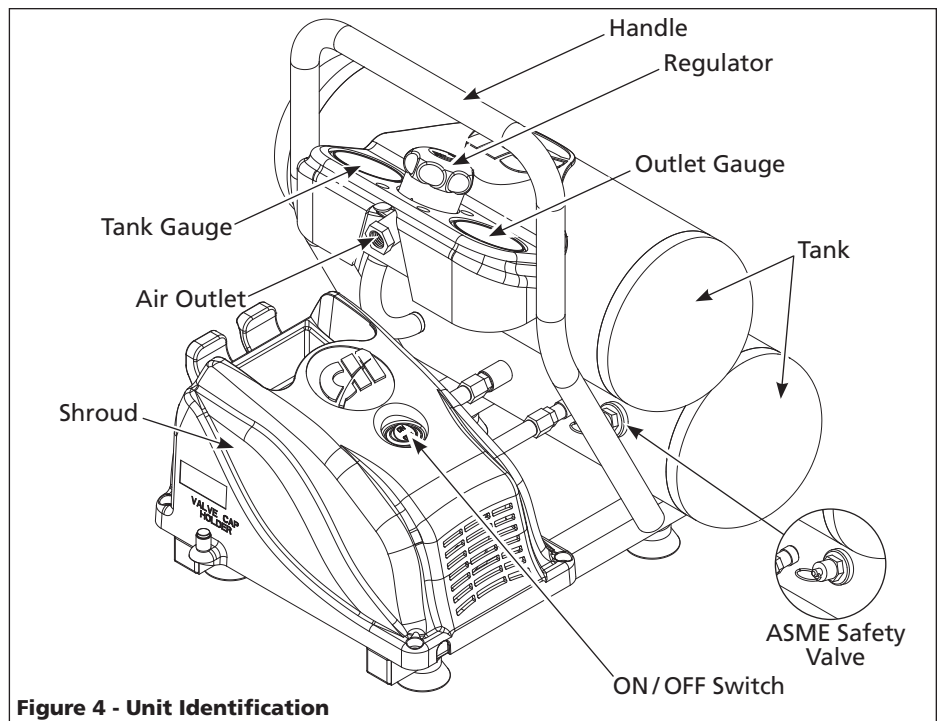
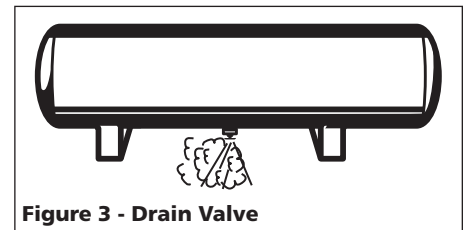
Handle - Designed to move the compressor.

ASME Safety Valve - This valve automatically releases air if the tank pressure exceeds the preset maximum.

Regulator - The regulator controls the amount of air pressure released at the hose outlet. Turning the regulator knob clockwise (to the right) will increase air pressure at the outlet. Turning the knob counter-clockwise (to the left) will lower air pressure to the outlet. Turning knob fully counter-clockwise will shut off flow of air completely.

Pressure Gauges - There are two gauges located next to the regulator. These gauges read air pressure in pounds per square inch (psi). The gauge on the right shows pressure at the outlet. Make sure this gauge reads ZERO (by adjusting the regulator) BEFORE changing air tools or disconnecting hose from outlet. The gauge on the left shows pressure in the tank indicating compressor is building pressure properly.

Drain Valve - This valve is located on the bottom of the tank. Use this valve to drain moisture from the tank daily to reduce the risk of corrosion.



Definition of Terms (Continued)

Motor Protection - If the unit is over worked, a thermal limiter will shut unit off. If this happens, switch unit to OFF, wait 30 minutes to cool, turn ON again to resume work.

Operation

LUBRICATION

This is an oilless product and **DOES NOT** require lubrication to operate.

BEFORE FIRST STARTUP BREAK-IN PROCEDURE

Complete this procedure before using compressor for the first time. Once completed, it is not necessary to repeat.

1. Turn regulator knob fully clockwise (to the right) to open air flow.
2. Do not attach a hose or any other fitting to the compressor.
3. Turn ON/OFF switch to OFF (O) position.
4. Plug in power cord.
5. Turn ON/OFF switch to ON (I) position. Allow compressor to run for 5 minutes.
6. Turn ON/OFF switch to OFF (O) position.
7. Unplug power cord.

OPERATING PROCEDURE

1. Turn switch to OFF (O) position and plug in power cord.
2. Turn regulator knob counterclockwise to close air flow.
3. Turn switch to ON (I) position.
4. Compressor will build to maximum pressure and shut off.
5. With hose attached to outlet of compressor, attach tire chuck or other tool to open end of hose.
6. Adjust regulator to proper pressure for tool or tire. Operate tool per instructions.

As air is depleted from the tank by use of a tire chuck, tool, etc., the compressor will restart automatically at its preset "cut-in" pressure. When a tool is being used continuously, the compressor will cycle on and off automatically.

7. Turn switch to OFF (O) position, unplug power cord and drain tank of air when finished using compressor.

User - Maintenance Instructions

⚠ WARNING

Disconnect power source then release all pressure from the system before attempting to install, service, relocate or perform any maintenance. Service should be performed by an authorized service representative.



The compressor should be checked often for any visible problems and the following maintenance procedures should be performed each time the compressor is used.

ASME SAFETY VALVE

⚠ WARNING

Do not remove or attempt to adjust the safety valve!

Check the safety valve by performing the following steps:

1. Plug the compressor in and run until shut off pressure is reached (see Operating Instructions).
2. Wearing safety glasses, pull the ring on the safety valve to release pressure from compressor tank. Use your other hand to deflect fast-moving air from being directed toward your face.
3. The safety valve should close automatically at approximately 40-50 psi. If the safety valve does not allow air to be released when you pull on the ring, or if it does not close automatically, it **MUST** be replaced.

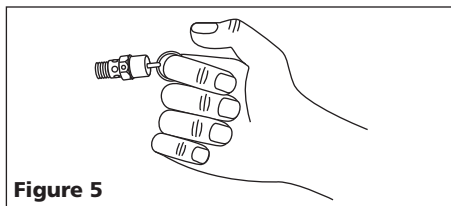


Figure 5

DRAIN TANK

With compressor shut off and pressure released, drain moisture from tank by opening drain valve underneath tank.

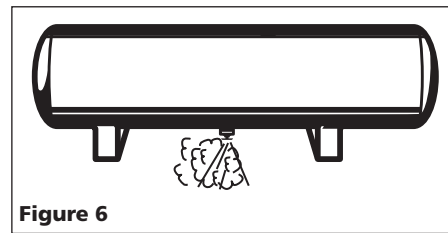


Figure 6

CLEANING

Turn power OFF and clean dust and dirt from pump cover, tank, and air lines.

IMPORTANT: Unit should be located as far from spraying area as hose will allow to prevent over-spray from clogging air filter.

END OF OPERATION/STORAGE

1. Turn ON / OFF switch to the OFF (O) position.
2. Unplug power cord from wall outlet and wrap around handle area to prevent damage when not in use.
3. Wearing safety glasses drain tank of air by pulling the ring on the safety valve. Use other hand to deflect fast moving air from being directed toward your face.
4. Drain tank of condensation by opening drain valve on bottom of tank. Tank pressure should be below 10 psi when draining tank.
5. Air hose should be disconnected from compressor and hung open ends down to allow any moisture to drain.
6. Compressor and hose should be stored in a cool, dry place.

MOISTURE IN COMPRESSED AIR

Moisture in compressed air will form into droplets as it comes from an air compressor pump. When humidity is high or when a compressor is in continuous use for an extended period of time, this moisture will collect in the tank. When using a paint spray or sandblast gun, this water will be carried from the tank through the hose, and out of the gun as droplets mixed with the spray material.

IMPORTANT: This condensation will cause water spots in a paint job, especially when spraying other than water based paints. If sandblasting, it will cause the sand to cake and clog the gun, rendering it ineffective. A filter in the air line (MP3105), located as near to the gun as possible, will help eliminate this moisture.

Troubleshooting Chart**⚠ WARNING**

Stop using tool immediately if any of the following problems occur. Serious personal injury could occur. Any repairs or replacements must be done by a Qualified Service Person or Authorized Service Center.

Symptom	Possible Cause(s)	Corrective Action
Compressor will not run	<ol style="list-style-type: none"> 1. Switch in OFF position 2. No electrical power at wall outlet 3. Compressor has reached automatic shut-off pressure 4. Motor overheated / overworked 5. Loose electrical connection 6. ON / OFF switch bad 7. Pressure switch bad 8. Defective motor 	<ol style="list-style-type: none"> 1. Make sure compressor is plugged in and switch is ON 2. Check circuit breaker or fuse at electrical panel. 3. Release air from tank until compressor restarts automatically 4. Switch unit to OFF, wait 30 minutes to cool, turn ON again to resume work. Make sure compressor is run in a clean, well-ventilated area where temperature will not exceed 100°F. 5. Check all electrical connections 6. Replace ON / OFF switch 7. Replace pressure switch 8. Replace pump / motor assembly
Thermal overload protector cuts out repeatedly	<ol style="list-style-type: none"> 1. Lack of proper ventilation / room temperature too high 2. Excessive air usage, compressor too small 	<ol style="list-style-type: none"> 1. Move compressor to a clean, well ventilated area where temperature will not exceed 100°F. 2. Decrease usage or purchase unit with higher air delivery (SCFM)
Tank pressure drops when compressor shuts off	<ol style="list-style-type: none"> 1. Open tank drain valve 2. Loose connections (fittings, tubing, air hose, any connections, etc.) 3. Tank leaks 	<ol style="list-style-type: none"> 1. Close tank drain valve 2. Check all connections with soap and water solution. If a leak is detected, tighten. Or remove fitting and apply pipe tape to threads and reassemble. 3. Check entire tank for leaks with soap and water solution.
		⚠ DANGER Do not disassemble check valve with air in tank, bleed tank first.
Compressor runs continuously / air output lower than normal	<ol style="list-style-type: none"> 1. Excessive air usage, compressor too small 2. Open tank drain valve 3. Loose connections (fittings, tubing, air hose, any connections, etc.) 4. Pump wore out 	<ol style="list-style-type: none"> 1. Decrease usage or purchase unit with higher air delivery (SCFM) 2. Close tank drain valve 3. Check all connections with soap and water solution. If a leak is detected, tighten. Or remove fitting and apply pipe tape to threads and reassemble. 4. Replace pump / motor assembly
Excessive moisture in discharge air	<ol style="list-style-type: none"> 1. Excessive water in tank 2. High humidity 	<ol style="list-style-type: none"> 1. Drain tank, tilt tank to remove moisture 2. Move to area of less humidity; use air line filter
Safety valve pops open	<ol style="list-style-type: none"> 1. Defective pressure switch 2. Defective safety valve 	<ol style="list-style-type: none"> 1. Replace pressure switch 2. Replace safety valve with genuine replacement part

**For Replacement Parts or Technical Assistance,
Call 1-800-543-6400**

Please provide following information:

- Model number
- Serial number (if any)
- Part description and number as shown in parts list

Address any correspondence to:

Campbell Hausfeld
Attn: Customer Service
100 Production Drive
Harrison, OH 45030 U.S.A.

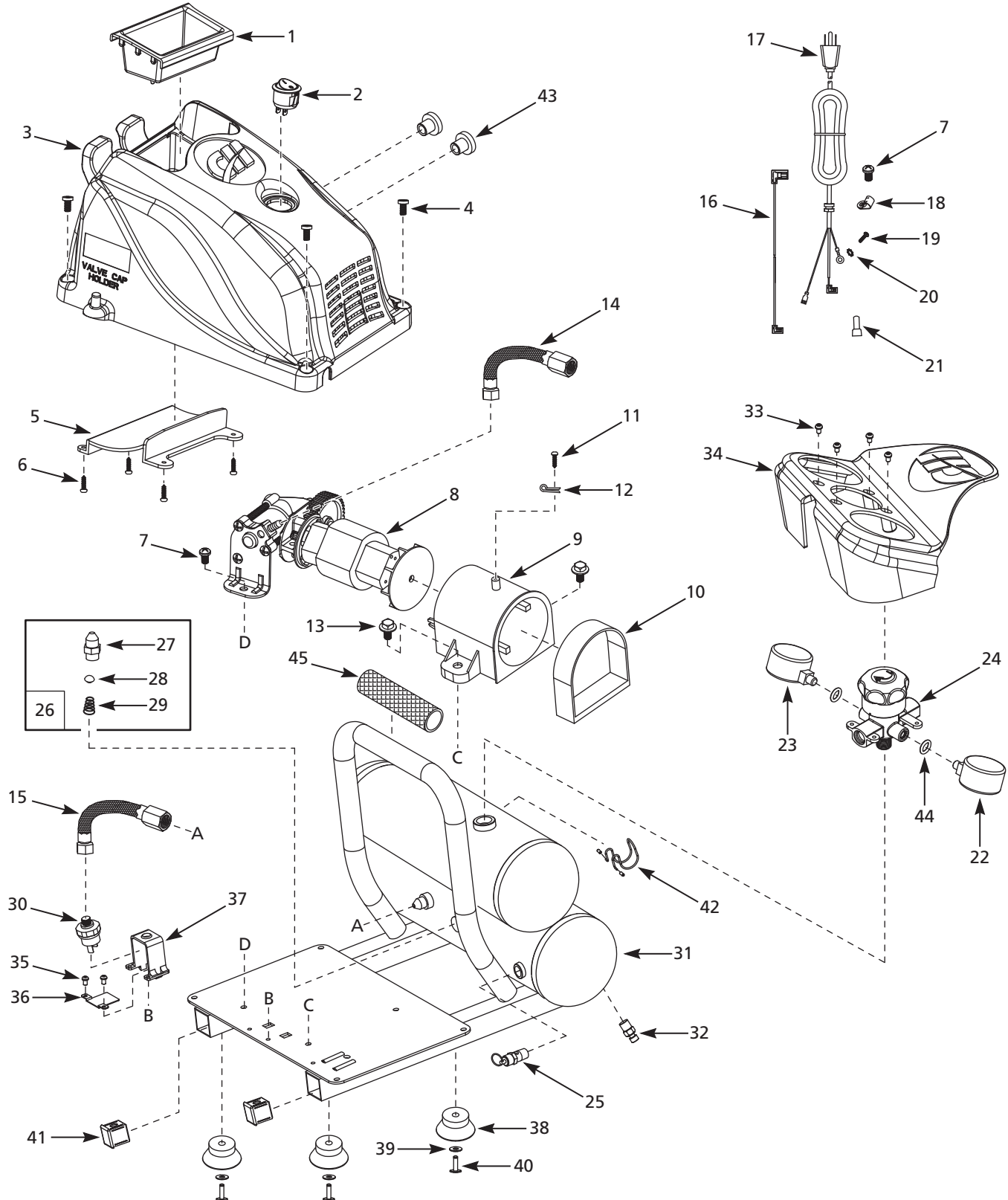


Figure 7

Replacement Parts List

Ref. No.	Description	Part Number	Qty.
1	Accessory Compartment Insert	▲	1
2	On / Off Switch	FP205129AV	1
3	Shroud	▲	1
4	Screw	■	4
5	Shroud Insert	▲	1
6	Screw	▲	4
7	Screw	■	2
8	Pump / Motor Assembly	FP060000AV	1
9	Motor Cover	●	1
10	Motor Cover Isolator	●	1
11	Screw	*	1
12	Wire Clip	FP202823AV	1
13	Screw	■	2
14	Exhaust Tube Assembly	FP202839AV	1
15	Hose	FP209535AV	1
16	Wire (Pressure Switch to Power Switch)	FP209523AV	1
17	Power Cord	◆	1
18	Wire Clip / Strain Relief	◆	1
19	Screw	*	1
20	Washer with Teeth	*	1
21	Terminal	--	1
22	Outlet Gauge	FP204013AV ▼	1
23	Tank Gauge	FP204012AV ▼	1
24	Regulator and Manifold Assembly	FP018800AV ▼	1
25	ASME Safety Valve	V-215100AV	1
26	Check Valve Assembly	FP209532AV	1
27	Check Valve	--	1
28	Poppet	--	1
29	Spring	--	1
30	Pressure Switch	FP018400AV	1

Ref. No.	Description	Part Number	Qty.
31	Tank	--	1
32	Drain Valve	D-1403	1
33	Screw	■ ▼	4
34	Manifold Cover	--	1
35	Screw	★	2
36	Pressure Switch Plate	★	1
37	Pressure Switch Bracket	★	1
38	Rubber Foot	△	4
39	Washer	*	4
40	Rivet	--	4
41	End Cap	--	4
42	Hook	FP209521AV	1
43	Rubber Grommet	--	2
44	Gasket	▼	2
45	Handle Grip	--	1

REPLACEMENT PARTS KITS

▲	Shroud Kit	FP018900AV
■	Fastener Kit	FP019000AV
●	Motor Cover Kit	FP018700AV
◆	Powercord with Strain Relief	FP209534AV
▼	Manifold Assembly Kit	FP019100AV
★	Pressure Switch Bracket Kit	FP019200AV
△	Rubber Foot Kit	FP209522AV
*	Standard hardware item - available at your local hardware store	
--	Not Available	

Limited Warranty

1. DURATION: From the date of purchase by the original purchaser as follows: One (1) Year.
2. WHO GIVES THIS WARRANTY (WARRANTOR): Campbell Hausfeld / Scott Fetzer Company, 100 Production Drive, Harrison, Ohio, 45030, Telephone: (800) 543-6400
3. WHO RECEIVES THIS WARRANTY (PURCHASER): The original purchaser (other than for purposes of resale) of the Campbell Hausfeld product.
4. WHAT PRODUCTS ARE COVERED BY THIS WARRANTY: Any Campbell Hausfeld nailer, stapler, air tool, spray gun, inflator or air accessory supplied or manufactured by Warrantor.
5. WHAT IS COVERED UNDER THIS WARRANTY: Substantial defects in material and workmanship which occur within the duration of the warranty period.
6. WHAT IS NOT COVERED UNDER THIS WARRANTY:
 - A. Implied warranties, including those of merchantability and FITNESS FOR A PARTICULAR PURPOSE ARE LIMITED FROM THE DATE OF ORIGINAL PURCHASE AS STATED IN THE DURATION. If this product is used for commercial, industrial or rental purposes, the warranty will apply for ninety (90) days from the date of purchase. Some States do not allow limitation on how long an implied warranty lasts, so the above limitations may not apply to you.
 - B. ANY INCIDENTAL, INDIRECT, OR CONSEQUENTIAL LOSS, DAMAGE, OR EXPENSE THAT MAY RESULT FROM ANY DEFECT, FAILURE, OR MALFUNCTION OF THE CAMPBELL HAUSFELD PRODUCT. Some States do not allow the exclusion or limitation of incidental or consequential damages, so the above limitation or exclusion may not apply to you.
 - C. Any failure that results from an accident, purchaser's abuse, neglect or failure to operate products in accordance with instructions provided in the owner's manual(s) supplied with product. Accident, purchaser's abuse, neglect or failure to operate products in accordance with instructions shall also include the removal or alteration of any safety devices. If such safety devices are removed or altered, this warranty is void.
 - D. Normal adjustments which are explained in the owner's manual(s) provided with the product.
 - E. Items or service that are normally required to maintain the product, i.e. o-rings, springs, bumpers, debris shields, driver blades, fuses, batteries, gaskets, packings or seals, fluid nozzles, needles, sandblast nozzles, lubricants, material hoses, filter elements, motor vanes, abrasives, blades, cut-off wheels, chisels, chisel retainers, cutters, collets, chucks, rivet jaws, screw driver bits, sanding pads, back-up pads, impact mechanism, or any other expendable part not specifically listed. These items will only be covered for ninety (90) days from date of original purchase. Underlined items are warranted for defects in material and workmanship only.
7. RESPONSIBILITIES OF WARRANTOR UNDER THIS WARRANTY: Repair or replace, at Warrantor's option, products or components which are defective, have malfunctioned and/or failed to conform within duration of the warranty period.
8. RESPONSIBILITIES OF PURCHASER UNDER THIS WARRANTY:
 - A. Provide dated proof of purchase and maintenance records.
 - B. Call Campbell Hausfeld (800) 543-6400 to obtain your warranty service options. Freight costs must be borne by the purchaser.
 - C. Use reasonable care in the operation and maintenance of the products as described in the owner's manual(s).
9. WHEN WARRANTOR WILL PERFORM REPAIR OR REPLACEMENT UNDER THIS WARRANTY: Repair or replacement will be scheduled and serviced according to the normal work flow at the servicing location, and depending on the availability of replacement parts.

This Limited Warranty applies in the United States, Canada and Mexico only and gives you specific legal rights. You may also have other rights which vary from state to state or country to country.

S'il vous plaît lire et conserver ces instructions. Lire attentivement avant de monter, installer, utiliser ou de procéder à l'entretien du produit décrit. Se protéger ainsi que les autres en observant toutes les instructions de sécurité, sinon, il y a risque de blessure et/ou dégâts matériels! Conserver ces instructions comme référence.



Compresseur Sans Huile

Table des matières

Description 9
 Déballage 9
 Directives de sécurité 9
 Importantes instructions de sécurité . 10
 Installation 10
 Termes et Définitions 11
 Fonctionnement 12
 Instructions de maintenance de l'utilisateur 12
 Guide de dépannage 13
 Pièces de rechange 14
 Garantie limitée 16

Description

Les compresseurs sans huile sont conçus pour les bricoleurs avec une variété de travaux domestiques et automobiles. Ces modèles fonctionnent sans huile. L'air comprimé de ce modèle sera humide. Installer un filtre pour l'eau ou un sécheur si votre application requiert l'air sec.

Déballage

Lors du déballage de ce produit, l'examiner soigneusement pour rechercher toute trace de dommage susceptible de s'être produit en cours de transport. Veiller à serrer tout raccord, boulon, etc., avant de mettre ce produit en service. En cas de dommage ou de parties manquantes, S.V.P. composer le 1-800-543-6400 pour demander conseil. Prière d'avoir le numéro de série, numéro de modèle et liste de parties (avec les parties manquantes encerclées) avant d'appeler.

ATTENTION *Ne pas utiliser un modèle qui a été endommagé pendant le transport, la manipulation ou l'utilisation. Le dommage peut résulter en explosion et peut causer des blessures ou dégâts matériels.*

ARRÊT! **NE PAS RENVOYER LE PRODUIT AU MARCHAND! APPELER 1-800-543-6400**



Enregistrer le No. de Modèle, No. de Série, et la Date d'Achat située sur la base de la pompe dans l'espace ci-dessous.

No. de Modèle: _____

No. de Série: _____

Date d'Achat: _____

Conserver ces numéros comme référence.

Prière d'avoir le numéro de série, numéro de modèle et liste de parties (avec les parties manquantes encerclées) avant d'appeler.

Directives de Sécurité

Ce manuel contient de l'information très importante qui est fournie pour la SÉCURITÉ et pour ÉVITER LES PROBLÈMES D'ÉQUIPEMENT. Rechercher les symboles suivants pour cette information.

DANGER *Danger indique une situation dangereuse imminente qui MÈNERA à la mort ou à des blessures graves si elle n'est pas évitée.*

DANGER

Avertissement d'Air Respirable

Ce compresseur/pompe n'est pas équipé pour et ne devrait pas être utilisé "comme soi" pour fournir de l'air respirable. Pour les applications d'air pour la consommation humaine, il est nécessaire d'équiper le compresseur d'air/pompe avec de l'équipement de sécurité en canalisation et d'alarme. Cet équipement additionnel est nécessaire pour filtrer et purifier l'air afin d'atteindre les spécifications minimales pour la respiration Grade D décrite dans le Compressed Gas Association Commodity Specification G 7.1 - 1966, OSHA 29 CFR 1910.134, and/or Canadian Standards Associations (CSA).

DÉNÉGATION DES GARANTIES

Si le compresseur est utilisé pour les applications d'air respirable et l'équipement de sécurité en canalisation et d'alarme n'est pas utilisé simultanément, les garanties en existence seront annulées, et Campbell Hausfeld dénie toute responsabilité pour n'importe quelle perte, blessure ou dommage.

AVERTISSEMENT *Avertissement indique une situation potentiellement dangereuse qui, si elle n'est pas évitée, POURRAIT mener à la mort ou à de graves blessures.*

ATTENTION *Attention indique une situation potentiellement dangereuse qui, si elle n'est pas évitée, PEUT mener à des blessures mineures ou modérées.*

AVIS *Avis indique de l'information importante qui pourrait endommager l'équipement si elle n'est pas respectée.*

REMARQUE : L'information qui exige une attention spéciale.

MÉMENTO: Gardez votre preuve datée d'achat à fin de la garantie!
 Joignez-la à ce manuel ou classez-la dans un dossier pour plus de sécurité.

Importantes instructions de sécurité

INSTRUCTIONS PORTANT SUR UN RISQUE D'INCENDIE, UN CHOC ÉLECTRIQUE OU DES BLESSURES AUX PERSONNES

Ce manuel contient des informations concernant la sécurité, le fonctionnement et l'entretien. Contacter votre représentant Campbell Hausfeld si vous avez des questions.

PROPOSITION 65 DE CALIFORNIE



AVERTISSEMENT *Ce produit ou son cordon peuvent contenir des produits chimiques qui, de l'avis de l'État de Californie, causent le cancer et des anomalies congénitales ou autres problèmes de reproduction. Lavez-vous les mains après la manipulation.*

AVERTISSEMENT *Vous pouvez créer de la poussière en coupant, ponçant, perçant ou meulant les matériaux tels que le bois, la peinture, le métal, le béton, le ciment ou autre maçonnerie. Cette poussière contient souvent des produits chimiques reconnus pour causer le cancer, les déformations congénitales ou autres problèmes de la reproduction. Porter de l'équipement de protection.*



GÉNÉRALITÉ

Puisque le compresseur d'air et les autres pièces détachées (filtres, graisseurs, tuyaux, etc.) font partie d'un système de haute pression, il est nécessaire de suivre les précautions suivantes:

1. Lire attentivement tous manuels compris avec ce produit. Se familiariser avec ce produit, ses commandes et son utilisation. 
2. Suivre tous les codes de sécurité locaux ainsi que les National Electrical Codes (NEC) and Occupational Safety and Health Act (OSHA) des É-U.
3. Seules les personnes bien familiarisées avec ces règles d'utilisation doivent être autorisées à se servir du compresseur.
4. Garder les visiteurs à l'écart de/et NE JAMAIS permettre les enfants dans l'endroit de travail.
5. Utiliser des lunettes de sécurité et la protection auditive pendant l'utilisation du modèle. 
6. Ne pas se tenir debout sur/ni utiliser le modèle comme une prise.

7. Inspecter le système d'air comprimé et pièces détachées électriques pour toute indication de dommage, détérioration, faiblesse ou fuites avant chaque utilisation. Réparer ou remplacer toutes pièces défectueuses avant l'utilisation.
8. Inspecter le degré de serrage de toutes attaches par intervalles régulières.

AVERTISSEMENT *Ne jamais essayer de réparer ou de modifier un réservoir ! Le soudage, perçage ou autre modifications peuvent affaiblir le réservoir et peuvent résulter en dommage de rupture ou d'explosion. Toujours remplacer un réservoir usé, fendu ou endommagé.*



ATTENTION *Les pièces du compresseur peuvent être chaudes, même si le modèle est hors circuit.*



9. Garder les doigts à l'écart du compresseur ; les pièces mobiles et chaudes peuvent causer des blessures et/ou des brûlures.
10. Si l'équipement vibre anormalement, ARRÊTER le moteur et l'inspecter immédiatement. La vibration est généralement une indication d'un problème.
11. Pour réduire le risque d'incendie, garder l'extérieur du moteur libre d'huile, de solvant ou de graisse excessive.

ATTENTION *Ne jamais enlever ou essayer d'ajuster la soupape de sûreté. Tenir la soupape de sûreté libre de peinture et d'autres accumulations.*

DANGER *Ne jamais essayer de réparer ou de modifier un réservoir ! Le soudage, perçage ou autre modifications peuvent affaiblir le réservoir et peuvent résulter en dommage de rupture ou d'explosion. Toujours remplacer un réservoir usé, fendu ou endommagé.*



ATTENTION *Purger le réservoir quotidiennement.*

12. L'accumulation d'humidité cause la rouille qui peut affaiblir le réservoir. Assurez vous de drainer le réservoir chaque jour et de contrôler périodiquement pour découvrir de conditions de danger comme la formation d'oxydation et la corrosion.
13. L'air mouvante peut agiter la poussière et le débris qui peut être dangereux. Lâcher l'air lentement en purgeant l'humidité ou pendant


la dépressurisation du système du compresseur.

14. Utilisation d'intérieur seulement.
15. Pour réduire le risque de choc électrique, ne pas exposer à la pluie. Ranger à l'intérieur.

PRÉCAUTIONS DE PULVÉRISATION

ATTENTION *Ne pas pulvériser les matériaux inflammables dans un endroit de flamme ouverte ni près d'une source d'ignition y compris le compresseur.*



16. Ne pas fumer pendant la pulvérisation de la peinture, d'insecticides ou autres matières inflammables.
17. Utiliser un masque / respirateur pendant la pulvérisation et pulvériser dans un endroit bien ventilé pour éviter le risque de blessures et d'incendie. 
18. Ne pas diriger la peinture ou autre matériel pulvérisé vers le compresseur. Situer le compresseur aussi loin que possible de l'endroit de pulvérisation pour réduire l'accumulation de surpulvérisation sur le compresseur.
19. Suivre les instructions du fabricant pendant la pulvérisation ou le nettoyage avec des solvants ou produits chimiques toxiques.

PRÉCAUTIONS POUR LES TUYAUX

20. Inspecter le tuyau avant l'utilisation.

AVERTISSEMENT *Ne pas dépasser la pression de service indiquée sur le tuyau.*



AVERTISSEMENT *Ne pas plier, faire un noeud ou érafler le tuyau.*

21. Ne pas enrouler le tuyau autour du corps.

AVERTISSEMENT *Garder le tuyau loin des surfaces chaudes et des produits chimiques.*

CONSERVER CES INSTRUCTIONS NE LES JETEZ PAS

Installation

GRAISSAGE

Ce produit est "sans-huile" et **N'EXIGE PAS** d'huile pour fonctionner.

SITUATION

Il est très important d'utiliser le compresseur dans un endroit propre et bien ventilé où la température n'excédera pas 38 °C (100 °F).

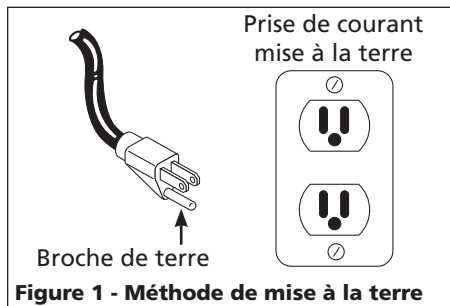
Installation (Suite)

Un espace libre minimum de 45,7 centimètres (18 po) entre le compresseur et un mur est exigé pour éviter le stoppage d'air par des objets.

⚠ ATTENTION *Ne pas situer la prise d'air du compresseur près de la vapeur, un jet pulvérisé de peinture, endroits de décapage au sable ou autre sources de contamination. Le débris endommagera le moteur.*

INSTRUCTIONS DE MISE À LA TERRE

1. Ce produit est conçu pour l'utilisation d'un circuit de 120 volts et a une fiche de mise à la terre comme celle indiquée sur la Fig. 1. Assurer que le modèle est branché à une prise de courant qui a la même configuration que la fiche. Ce produit doit être mis à la terre. Dans l'événement d'un court-circuit, la mise à la terre diminue le risque de secousse électrique en fournissant un fil d'échappement pour le courant électrique. Ce produit est équipé avec un cordon qui a un fil de terre avec une fiche de terre. La fiche doit être branchée dans une prise de courant qui a été installée et mise à la terre correctement en respectant tous les codes et règlements locaux.



⚠ DANGER *L'usage incorrect d'une fiche mise à la terre peut résulter en secousse électrique!*



⚠ DANGER *Ne pas utiliser un adaptateur de mise à la terre avec ce produit !*

2. Si la réparation ou le remplacement du cordon ou de la fiche est nécessaire, ne pas connecter le fil de terre à ni une ni l'autre borne plate. Le fil avec l'isolation qui a une surface externe verte (avec ou sans rayures) est le fil de terre.

⚠ AVERTISSEMENT *Ne jamais brancher le fil vert (ou vert et jaune) à une borne électrisée.*

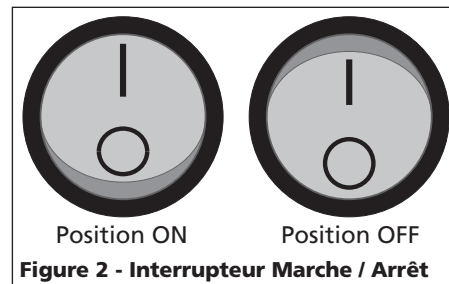
3. Si vous ne comprenez pas les instructions pour la mise à la terre ou si vous n'êtes pas certains

si le produit est mis à la terre correctement, vérifier avec un électricien ou une personne qualifiée. Ne pas modifier la fiche fournie; si la fiche n'est pas la bonne taille pour la prise de courant, contacter un électricien qualifié pour l'installation d'une nouvelle prise de courant.

⚠ ATTENTION *L'installation de fils insuffisante peut résulter en surchauffage, court-circuit et en dommage d'incendie.*

Termes et Définitions

Interrupteur MARCHÉ/ARRÊT (I/O)- Mettre l'interrupteur à la position ON (I) pour mettre en marche le compresseur. Mettre l'interrupteur à la position OFF (O) pour éteindre le compresseur. Cet interrupteur devrait être dans la position OFF (O) pendant le branchement ou le débranchement du cordon d'alimentation de la prise de courant ou pendant le changement d'outils.



Pressostat (à l'intérieur de l'unité) - Quand on met en marche le compresseur (ON), le pressostat éteint

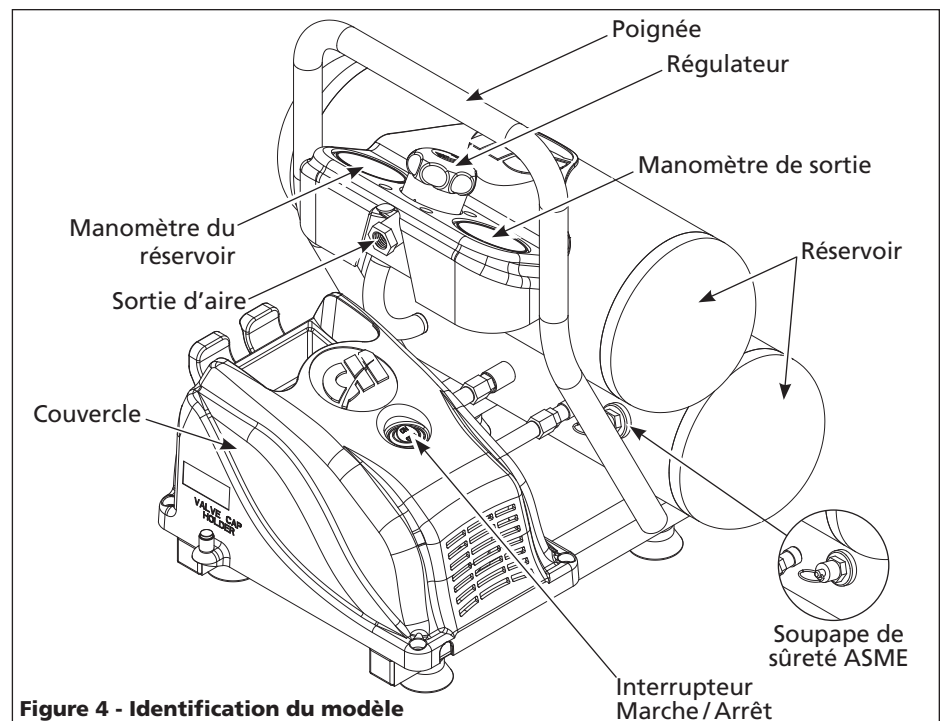
le compresseur automatiquement lorsque la pression du réservoir atteint la pression maximum d'arrêt / coupe. Si le compresseur reste en marche et l'air du réservoir est épuisé, le pressostat mettra en marche le compresseur automatiquement lorsque la pression atteint la valeur de redémarrage / enclenchement.

Poignée - Conçue pour le déplacement du compresseur.

Soupape de Sûreté ASME - Cette soupape laisse échapper l'air si la pression du réservoir dépasse la pression maximum réglée d'avance.

Régulateur - Le régulateur sert à régler la pression d'air à la sortie du tuyau. Le bouton du régulateur se tourne dans le sens horaire (à droite) pour augmenter la pression d'air à la sortie. Le bouton du régulateur se tourne dans le sens antihoraire (à gauche) pour réduire la pression d'air à la sortie. Pour couper le débit d'air, tourner le bouton complètement dans le sens antihoraire.

Manomètre(s) - Il y a deux jauges près du régulateur. Ces manomètres indiquent la pression d'air mesurée en kPa. La jauge à droite montre la pression à la sortie. S'assurer que le manomètre est à ZERO (en ajustant le régulateur) AVANT de changer les outils pneumatiques ou de débrancher le tuyau de la sortie d'air. La jauge à gauche montre la pression du réservoir indiquant que le compresseur établit une pression appropriée.



Termes et Définitions (Suite)

Robinet de Purge - Cette soupape est située sur la base du réservoir. Utiliser cette soupape pour purger l'humidité du réservoir quotidiennement afin de réduire le risque de corrosion.

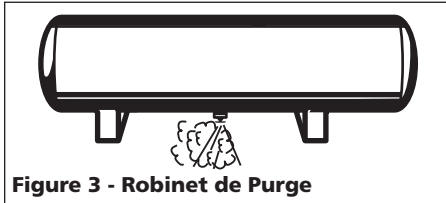


Figure 3 - Robinet de Purge

Protection du moteur - Si l'appareil fonctionne trop, un limiteur thermique l'arrêtera. Si ceci se produit, éteindre l'appareil (OFF), laisser refroidir pendant 30 minutes, puis mettre en marche (ON) et continuer le travail.

Fonctionnement

GRAISSAGE

Ce produit est "sans-huile" et **N'EXIGE PAS** d'huile pour fonctionner.

AVANT LE PREMIER DÉMARRAGE - PROCÉDURE DE RÔDAGE

Cette procédure doit être terminée avant d'utiliser le compresseur pour la première fois. Ensuite, il n'est pas nécessaire de la refaire.

1. Tourner le bouton du régulateur complètement vers la droite, dans le sens des aiguilles d'une montre pour ouvrir la circulation d'air.
2. Ne pas fixer de boyau ou tout autre raccord au compresseur.
3. Mettre l'interrupteur marche/arrêt à la position « OFF » ARRÊT - (O).
4. Brancher le cordon d'alimentation.
5. Mettre l'interrupteur marche/arrêt à la position « ON » MARCHÉ - (I). Laissez le compresseur tourner pendant 5 minutes.
6. Mettre l'interrupteur marche/arrêt à la position « OFF » ARRÊT - (O).
7. Débrancher le cordon d'alimentation.

PROCÉDURE DE FONCTIONNEMENT

1. Tourner l'interrupteur à la position « OFF » ARRÊT - (O) et brancher le cordon d'alimentation.
2. Tourner le bouton du régulateur dans le sens antihoraire pour fermer le débit d'air.
3. Tourner l'interrupteur à la position « ON » MARCHÉ - (I).

4. Le compresseur accumulera la pression jusqu'à ce qu'il atteigne la pression maximum et s'arrêtera.
5. Avec la tuyau branché à la sortie du compresseur, brancher le mandrin d'air ou un autre outil à l'extrémité ouverte du tuyau.

6. Ajuster le régulateur à la bonne pression pour l'outil ou le pneu. Utiliser l'outil conformément aux instructions.

Au fur et à mesure que l'air du réservoir est épuisé par le mandrin ou l'outil, etc., le compresseur se met en marche automatiquement à la pression pré réglé d'enclenchement. Quand on utilise un outil continuellement, le compresseur commencera un cycle automatique de marche/arrêt.

7. Quand on a terminé d'utiliser le compresseur, tourner l'interrupteur à la position « OFF » ARRÊT - (O), débrancher le cordon d'alimentation et vidanger le réservoir d'air.

Instructions de Maintenance de l'Utilisateur

⚠ AVERTISSEMENT

Débrancher de la source de puissance et ensuite dissiper toute la pression du système avant d'essayer d'installer, de réparer, de déplacer ou de procéder à l'entretien. L'entretien doit être réalisé seulement par un représentant de service autorisé.



Inspecter le compresseur souvent et suivre les procédés d'entretien suivants pendant chaque utilisation du compresseur.

SOUPAPE DE SÛRETÉ ASME

⚠ AVERTISSEMENT

Ne jamais enlever ou essayer d'ajuster la soupape de sûreté!

Vérifier la soupape de sûreté de la manière suivante :

1. Brancher le compresseur et le faire fonctionner jusqu'à ce qu'il atteigne la pression d'arrêt (voir procédure de fonctionnement).
2. Porter des lunettes de sécurité, tirer l'anneau sur la soupape de sûreté pour dégager la pression du réservoir du compresseur. Utiliser l'autre main pour éloigner l'air se déplaçant rapidement du visage.
3. La soupape de sûreté se fermera automatiquement à environ 276 kPa à 345 kPa. Si la soupape ne laisse pas sortir l'air en tirant sur l'anneau, ou si elle ne se ferme pas automatiquement, il FAUT la remplacer.

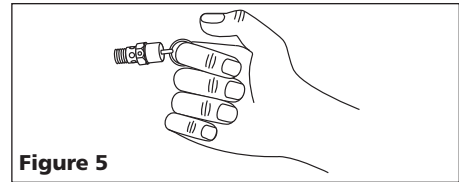


Figure 5

PURGER LE RÉSERVOIR

Avec le compresseur hors circuit et la pression dissipée, purger l'humidité du réservoir en ouvrant le robinet de purge sous le réservoir.

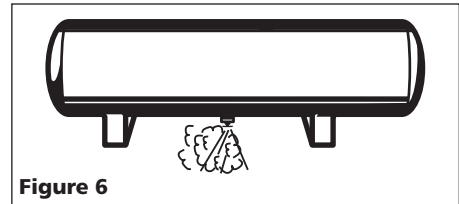


Figure 6

NETTOYAGE

Mettre hors circuit (OFF) et nettoyer la poussière et la saleté du couvercle de la pompe, du réservoir et des canalisations d'air.

IMPORTANT : Situer le modèle aussi loin de l'endroit de pulvérisation que possible afin d'empêcher que le filtre devienne obstrué par la surpulvérisation.

CONCLUSION DU TRAVAIL / ENTREPOSAGE

1. Mettre l'interrupteur ON / OFF à la position « OFF » (ARRÊT).
2. Débrancher le cordon d'alimentation de la prise et l'enrouler autour du manche pour éviter de l'endommager pendant l'entreposage.
3. En portant des lunettes de sécurité, vidanger l'air du réservoir en tirant l'anneau de la soupape de sécurité. À l'aide de l'autre main, détourner l'air se déplaçant rapidement, pour protéger le visage.
4. Vidanger le réservoir de toute condensation en ouvrant le robinet de vidange au fond du réservoir. La pression du réservoir doit être sous 69 kPa quand on vidange le réservoir.

Instructions de Maintenance de l'Utilisateur (Suite)

- Le tuyau doit être débranché du compresseur et suspendu avec les bouts ouverts face en bas pour laisser couler toute humidité.
- Le compresseur et le tuyau doivent être rangés dans un endroit frais et sec.

L'HUMIDITÉ DANS L'AIR COMPRIMÉ

L'humidité dans l'air comprimé forme des gouttelettes en arrivant de la pompe du compresseur. Si l'humidité est élevée ou si le compresseur est utilisé continuellement, cette humidité s'accumulera dans le réservoir. En utilisant un pistolet à peinture ou un pistolet pour décapage au sable, cette eau sera transportée hors du réservoir par moyen du tuyau en forme de gouttelettes mélangées avec le matériel utilisé.

IMPORTANT : Cette condensation peut avoir comme résultat des taches d'eau sur votre travail de peinture, surtout en pulvérisant la peinture qui n'est pas de base d'eau. Pendant la décapage au sable, cette eau servira à tenir le sable ensemble et à causer une obstruction dans le pistolet. Un filtre sur la conduite d'air (MP3105), placé le plus près possible du pistolet, aidera à éliminer cette humidité.

Guide de Dépannage



Cessez l'utilisation de la cloueuse immédiatement en cas des problèmes suivants, car il résulte risque de blessures graves. Toutes réparations doivent être effectuées par un Technicien Qualifié ou par un Centre De Service Autorisé.

Problème	Cause(s)	Solution(s)
Le compresseur ne fonctionne pas	<ol style="list-style-type: none"> Interrupteur en position "OFF" (arrêt) Aucun courant à la prise de courant murale Le compresseur a atteint la pression d'arrêt automatique Moteur surchauffe / fonctionne trop Connexions électriques dégagées Interrupteur MARCHÉ / ARRÊT défectueux Mauvais pressostat Moteur défectueux 	<ol style="list-style-type: none"> S'assurer que le compresseur est branché et que l'interrupteur est à ON (marche) Vérifier le disjoncteur ou les fusibles au coffret électrique Dégager l'air du réservoir jusqu'à ce que le compresseur redémarré automatiquement Éteindre l'appareil (OFF), laisser refroidir pendant 30 minutes, puis mettre en marche (ON) et continuer la travail. S'assurer que le compresseur fonctionne dans un milieu propre, bien ventilé où la température ne dépasse pas les 38 °C (100 °F). Vérifier toutes les connexions électriques Remplacer l'interrupteur ON/OFF Remplacer le pressostat Remplacer le montage de pompe / moteur
Le protecteur de surcharges thermiques se ferme souvent	<ol style="list-style-type: none"> Mauvaise ventilation / température ambiante trop élevée Trop d'air utilisé, compresseur trop petit 	<ol style="list-style-type: none"> Déplacer le compresseur dans un endroit propre, bien ventilé où la température ne dépasse pas 38 °C (100 °F). Réduire l'utilisation ou acheter un appareil plus puissant (SCFM)
Pression du réservoir tombe lorsque le compresseur s'arrête	<ol style="list-style-type: none"> Le robinet de vidange du réservoir, est ouvert Raccordements dégagés (raccords, tuyaux, boyaux, connexions d'air, etc.) Le réservoir présente de pertes 	<ol style="list-style-type: none"> Fermer le robinet de vidange du réservoir Vérifier toutes les connexions avec une solution d'eau et de savon. S'il y a une fuite, resserrer. Ou retirer le raccord et appliquer un ruban à tuyau sur les filets puis remonter. Vérifier tout le réservoir avec de l'eau savonneuse.
Le compresseur travaille continuellement / débit d'air faible	<ol style="list-style-type: none"> Trop d'air utilisé, compresseur trop petit Le robinet de vidange du réservoir, est ouvert Raccordements dégagés (raccords, tuyaux, boyaux, connexions d'air, etc.) La pompe est usé 	<ol style="list-style-type: none"> Réduire l'utilisation ou acheter un appareil plus puissant (SCFM) Fermer le robinet de vidange du réservoir Vérifier toutes les connexions avec une solution d'eau et de savon. S'il y a une fuite, resserrer. Ou retirer le raccord et appliquer un ruban à tuyau sur les filets puis remonter. Remplacer le montage de pompe / moteur
Trop d'humidité dans l'air déchargé	<ol style="list-style-type: none"> Trop d'eau dans le réservoir Humidité élevée 	<ol style="list-style-type: none"> Drainer le réservoir, le pencher pour en retirer toute l'humidité. Déplacer vers un endroit moins humide ; utiliser le filtre de conduite d'air
La soupape de sûreté s'ouvre	<ol style="list-style-type: none"> Pressostat défectueux Soupape de sûreté défectueuse 	<ol style="list-style-type: none"> Remplacer le pressostat Remplacer la soupape de sûreté avec une pièce de rechange authentique

⚠ DANGER Ne pas démonter le clapet. Avec de l'air dans le réservoir, purger le réservoir d'abord.

**Pour pièces de rechange ou assistance technique,
appeler 1-800-543-6400**

S'il vous plaît fournir l'information suivante:

- Numéro du modèle
- Numéro de série (si applicable)
- Description de la pièce et son numéro sur la liste de pièces

Correspondance:

Campbell Hausfeld
Attn: Customer Service
100 Production Drive
Harrison, OH 45030 U.S.A.

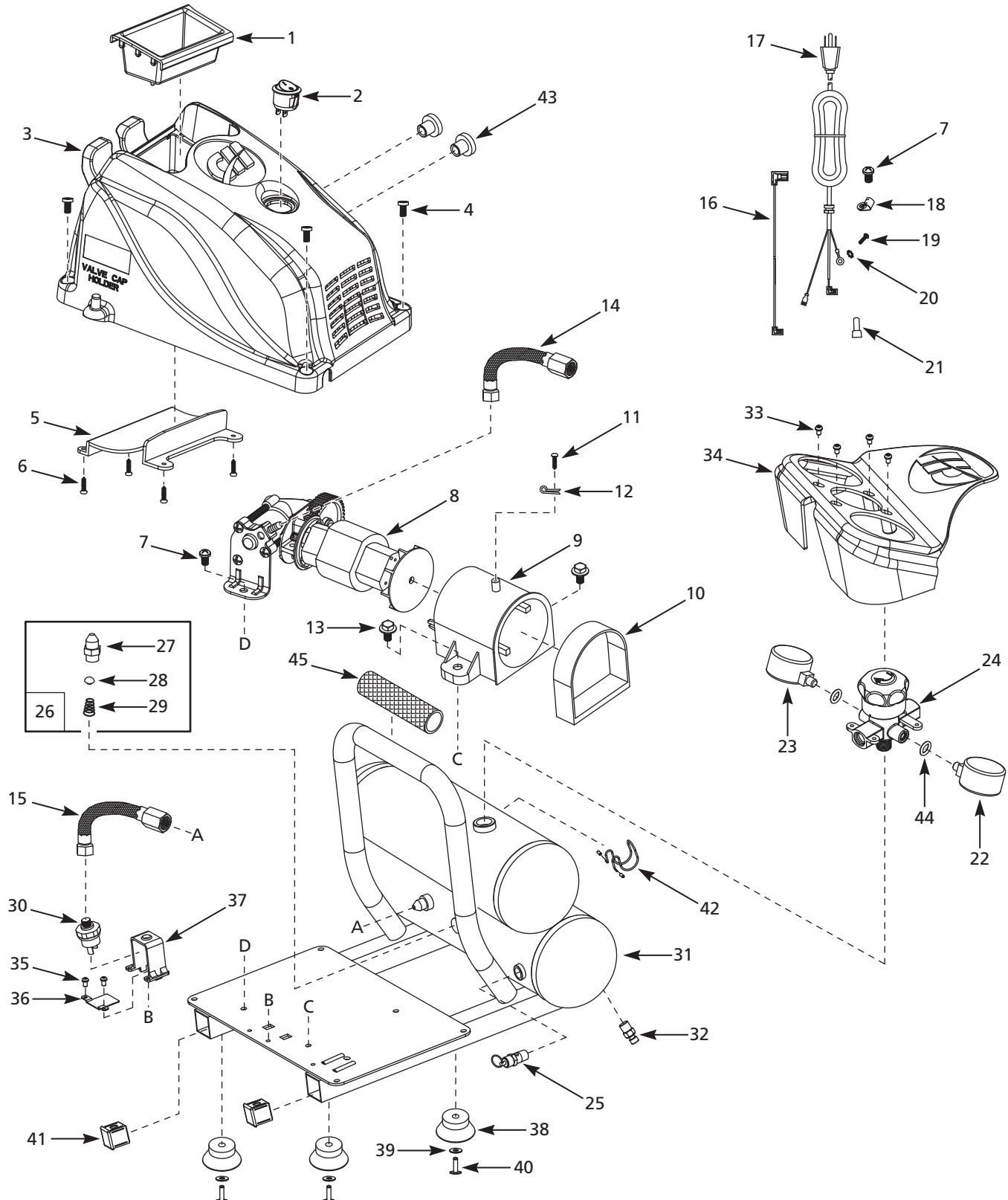


Figure 7

Liste de Pièces de Rechange

No. de Réf.	Description	Numéro de Pièce	Qté.
1	Insertion de compartiment d'accessoires	▲	1
2	Interrupteur Marche / Arrêt	FP205129AV	1
3	Couvercle	▲	1
4	Vis	■	4
5	Garniture d'épaulement	▲	1
6	Vis	▲	4
7	Vis	■	2
8	Montage de pompe / moteur	FP060000AV	1
9	Trousse de couvercle	●	1
10	Isolant du couvercle du moteur	●	1
11	Vis	*	1
12	Attache de fils	FP202823AV	1
13	Vis	■	2
14	Tuyau d'échappement	FP202839AV	1
15	Tuyau	FP209535AV	1
16	Fil (pressostat à l'interrupteur)	FP209523AV	1
17	Cordon d'alimentation	◆	1
18	Attache de fils / Collier de serrage	◆	1
19	Vis	*	1
20	Rondelle à dents	*	1
21	Borne	--	1
22	Manomètre de sortie	FP204013AV ▼	1
23	Manomètre du réservoir	FP204012AV ▼	1
24	Régulateur et collecteur assemblage	FP018800AV ▼	1
25	Soupape de sûreté ASME	V-215100AV	1
26	Assemblage du clapet	FP209532AV	1
27	Clapet	--	1
28	Champignon	--	1
29	Ressort	--	1
30	Pressostat	FP018400AV	1

No. de Réf.	Description	Numéro de Pièce	Qté.
31	Réservoir	--	1
32	Robinet de purge	D-1403	1
33	Vis	■ ▼	4
34	Couvercle de collecteur	--	1
35	Vis	★	2
36	Plaque de pressostat	★	1
37	Fixation de montage du pressostat	★	1
38	Pied en caoutchouc	△	4
39	Rondelle	*	4
40	Rivet	--	4
41	Embout	--	4
42	Crochet	FP209521AV	1
43	Passe-fil de caoutchouc	--	2
44	Joint d'étanchéité	▼	2
45	Poignée de manche	--	1

NÉCESSAIRE DE PIÈCES DE RECHANGE

▲	Trousse d'épaulement	FP018900AV
■	Trousse d'attache	FP019000AV
●	Trousse de couvercle du moteur	FP018700AV
◆	Cordon d'alimentation avec collier de serrage	FP209534AV
▼	Trousse de montage du collecteur	FP019100AV
★	Trousse de fixation de pressostat	FP019200AV
△	Trousse de pied de caoutchouc	FP209522AV
*	Article normal de quincaillerie - disponible à votre quincaillerie locale	
--	Pas disponible	

Garantie Limitée

1. DURÉE: À partir de la date d'achat par l'acheteur original comme suit - Un An.
2. GARANTIE ACCORDÉE PAR (GARANT): Campbell Hausfeld/Scott Fetzer Company, 100 Production Drive, Harrison, Ohio, 45030, Téléphone: (800) 543-6400
3. BÉNÉFICIAIRE DE CETTE GARANTIE (ACHETEUR): L'acheteur original (sauf en cas de revente) du produit Campbell Hausfeld.
4. PRODUITS COUVERTS PAR CETTE GARANTIE: Tous les outils de fixation (cloueuses et agrafeuses), outils pneumatiques, pistolets vaporisateurs, gonfleurs ou accessoires pneumatiques Campbell Hausfeld qui sont fournis par ou fabriqués par le Garant.
5. COUVERTURE DE LA PRÉSENTE GARANTIE: Défauts de matière et de fabrication considérables qui se révèlent pendant la période de validité de la garantie.
6. LA PRÉSENTE GARANTIE NE COUVRE PAS:
 - A. Les garanties implicites, y compris celles de commercialisabilité et D'ADAPTION À UNE FONCTION PARTICULIÈRE SONT LIMITÉES À PARTIR DE LA DATE D'ACHAT INITIALE TELLE QU'INDIQUÉE DANS LA SECTION DURÉE. Si ce produit est utilisé pour une fonction commerciale, industrielle ou pour la location, la durée de la garantie sera quatre-vingt-dix (90) jours à compter de la date d'achat. Quelques Provinces (États) n'autorisent pas de limitations de durée pour les garanties implicites. Les limitations précédentes peuvent donc ne pas s'appliquer.
 - B. TOUT DOMMAGE, PERTE OU DÉPENSE FORTUIT OU INDIRECT POUVANT RÉSULTER DE TOUT DÉFAUT, PANNE OU MAUVAIS FONCTIONNEMENT DU PRODUIT CAMPBELL HAUSFELD. Quelques Provinces (États) n'autorisent pas l'exclusion ni la limitation des dommages fortuits ou indirects. La limitation ou exclusion précédente peut donc ne pas s'appliquer.
 - C. Toute panne résultant d'un accident, d'une utilisation abusive, de la négligence ou d'une utilisation ne respectant pas les instructions données dans le(s) manuel(s) accompagnant le produit. Un accident, l'utilisation abusive par l'acheteur, la négligence ou le manque de faire fonctionner les produits selon les instructions comprend aussi l'enlèvement ou la modification de n'importe quel appareil de sûreté. Si ces appareils de sûreté sont enlevés ou modifiés, la garantie sera annulée.
 - D. Réglages normaux qui sont expliqués dans le(s) manuel(s) d'utilisation accompagnant le produit.
 - E. Articles ou services qui sont exigés pour l'entretien du produit; Joints torique, ressorts, amortisseurs, écrans de débris, lames d'entraînement, fusibles, batteries, joints d'étanchéité, garnitures ou joints, buses de fluide, aiguilles, buses de sablage, graisses, tuyaux de matériaux, cartouches filtrantes, pales de moteur, abrasifs, lames, meules de coupage, burins, fixe-burins, coupeuses, douilles de serrage, mandrins, mâchoires de rivet, lames de tournevis, tampons de sablage, tampons de sauvegarde, mécanisme de percussion ou toute pièce qui n'est pas indispensable et qui n'est pas indiquée. Ces articles seront couverts pour quatre-vingt-dix (90) jours à partir de la date d'achat original. Les articles soulignés sont garanties pour défauts de matière et de fabrication seulement.
7. RESPONSABILITÉS DU GARANT AUX TERMES DE CETTE GARANTIE: Réparation ou remplacement, au choix du Garant, des produits ou pièces qui se sont révélés défectueux pendant la durée de validité de la garantie.
8. RESPONSABILITÉS DE L'ACHETEUR AUX TERMES DE CETTE GARANTIE:
 - A. Fournir une preuve d'achat datée et un état d'entretien.
 - B. Appelez Campbell Hausfeld (800) 543-6400 pour obtenir vos options de service sous garantie. Les frais de transport sont la responsabilité de l'acheteur.
 - C. Utilisation et entretien du produit avec un soin raisonnable, ainsi que le décri(vent)t le(s) manuel(s) d'utilisation.
9. RÉPARATION OU REMPLACEMENT EFFECTUÉ PAR LE GARANT AUX TERMES DE LA PRÉSENTE GARANTIE: La réparation ou le remplacement sera prévu et exécuté en fonction de la charge de travail dans le centre de service et dépendra de la disponibilité des pièces de rechange.

Cette Garantie Limitée s'applique aux É.-U., au Canada et au Mexique seulement et vous donne des droits juridiques précis. L'acheteur peut également jouir d'autres droits qui varient d'une Province, d'un État ou d'un Pays à l'autre.

Por favor lea y guarde estas instrucciones. Léelas cuidadosamente antes de tratar de montar, instalar, operar o dar mantenimiento al producto aquí descrito. Protéjase usted mismo y a los demás observando toda la información de seguridad. ¡El no cumplir con las instrucciones puede ocasionar daños, tanto personales como a la propiedad! Guarde estas instrucciones para referencia en el futuro.



Compresores Sin Aceite

Índice

Descripción17
 Desempaque17
 Medidas de Seguridad17
 Instrucciones de Seguridad Importantes18
 Instalación18
 Términos y definiciones19
 Funcionamiento20
 Instrucciones de Uso y Mantenimiento20
 Guía de Diagnóstico de Averías21
 Repuestos22
 Garantía Limitada24

Descripción

Los compresores sin aceite están diseñados para los aficionados al bricolaje, con una variedad de trabajos domésticos y automotores. Estas unidades funcionan sin aceite. El aire comprimido que sale de esta unidad contiene humedad. Instale un filtro de humedad o un secador de aire si la aplicación requiere aire seco.

Desempaque

Cuando desempaque la unidad, inspecciónela cuidadosamente para verificar si se han producido daños durante el transporte. Asegúrese de apretar todos los accesorios, pernos, etc. que estén sueltos antes de poner la unidad en servicio. En el caso de que haya daño o partes que faltan, haga el favor de llamar al 1-800-543-6400 para obtener ayuda.

PRECAUCION No debe utilizar la unidad si se ha dañado durante el envío, manejo o uso. Los daños podrían ocasionar una explosión y ocasionarle heridas o daños a su propiedad.

STOP! ¡NO DEVUELVA EL PRODUCTO AL MINORISTA! LLAME AL 1-800-543-6400



Registre en el espacio a continuación el No. del Modelo, el Número de Serie y la Fecha de Compra ubicados en la base debajo de la bomba.

No. del Modelo: _____

No. de Serie: _____

Fecha de Compra: _____

Guarde estos números para referencia futura.

Tenga a mano el número de serie, el número del modelo y la lista de partes (con las partes que faltan marcadas con un círculo) antes de llamar.

Medidas de Seguridad

Este manual contiene información que es muy importante que sepa y comprenda. Esta información se la suministramos como medida de SEGURIDAD y para EVITAR PROBLEMAS CON EL EQUIPO. Debe reconocer los siguientes símbolos.

PELIGRO Peligro indica una situación inminentemente peligrosa, que si no se evita, dará como resultado la muerte o lesiones graves.

PELIGRO

Advertencia sobre el aire respirable

Este compresor/cabezal no viene listo de fábrica para suministrar aire respirable. Antes de utilizarlos con este fin, deberá instalarle un sistema de seguridad y alarma incorporado a la línea. Este sistema adicional es necesario para filtrar y purificar el aire adecuadamente, para cumplir con las especificaciones mínimas sobre aire respirable de Grado D descritas en la Especificación de Productos G 7.1 - 1966 de la Asociación de Aire Comprimido. Igualmente, deberá cumplir los requisitos establecidos por el Artículo 29 CFR 1910. 134 de la Organización norteamericana OSHA y/o la Canadian Standards Associations (CSA).

RENUNCIA A LAS GARANTIAS

Si el compresor se utiliza para producir aire respirable SIN haberle instalado el sistema de seguridad y alarma, todas la garantías se anularán y la compañía Campbell Hausfeld no asumirá NINGUNA responsabilidad por pérdidas, heridas personales o daños.

ADVERTENCIA Advertencia indica una situación potencialmente peligrosa, que si no se evita, PODRÍA ocasionar la muerte o lesiones graves.

PRECAUCION Precaución indica una situación potencialmente peligrosa, que si no se evita, PUEDE dar como resultado lesiones leves o moderadas.

AVISO Aviso indica una información importante, que de no seguirla, le podría ocasionar daños al equipo.

NOTA: Información que requiere atención especial.

RECORDATORIO: ¡Guarde su comprobante de compra con fecha para fines de la garantía! Adjúntela a este manual o archívela en lugar seguro.

Instrucciones de Seguridad Importantes

INSTRUCCIONES EN REFERENCIA AL PELIGRO DE INCENDIOS, CHOQUE ELÉCTRICO O LESIONES PERSONALES

Este manual contiene información sobre seguridad, funcionamiento y mantenimiento. Póngase en contacto con su representante Campbell Hausfeld si tiene alguna pregunta.

PROPOSICIÓN 65 DE CALIFORNIA



ADVERTENCIA Este producto, o su cordón eléctrico, puede contener productos químicos conocidos por el estado de California como causantes de cáncer y defectos de nacimiento u otros daños reproductivos. Lave sus manos después de usar.

ADVERTENCIA Cuando corta lija, taladra o pule materiales como por ejemplo madera, pintura, metal, hormigón, cemento, u otro tipo de mampostería se puede producir polvo. Con frecuencia este polvo contiene productos químicos que se conocen como causantes de cáncer, defectos congénitos u otros daños reproductivos. Use equipo de protección.




GENERAL


Como el compresor de aire y otros componentes usados (filtros, lubricadores, mangueras, etc.), forman parte de un sistema de bombeo de alta presión, deberá seguir las siguientes medidas de seguridad todo el tiempo:

1. Lea con cuidado todos los manuales incluidos con este producto. Familiarícese con los controles y el uso adecuado del equipo. 
2. Siga todos los códigos de seguridad laboral y electricidad establecidos en su país, por ejemplo los de la NEC y OSHA en EUA.
3. Este compresor sólo debe ser usado por personas que estén bien familiarizadas con las reglas de seguridad y de manejo.
4. Mantenga a los visitantes alejados y NUNCA permita la presencia de niños en el área de trabajo.
5. Siempre use anteojos de seguridad y protéjase los oídos para operar el cabezal o el compresor. 
6. No se encaramo sobre el cabezal, ni lo use para sostenerse.
7. Antes de cada uso, inspeccione el sistema de aire comprimido y los componentes eléctricos, para ver si están dañados, deteriorados, desgastados o tienen fugas.

Repáre o reemplace las piezas dañadas antes de usar el equipo.


8. Chequee todas las conexiones frecuentemente para cerciorarse de que estén bien apretadas.

ADVERTENCIA Los motores, equipos eléctricos y controles pueden ocasionar arcos eléctricos que pueden encender gases o vapores inflamables. Nunca opere o repare el compresor cerca de gases o vapores inflamables. Nunca almacene líquidos o gases inflamables cerca del compresor. 

PRECAUCION Las piezas del compresor podrían estar calientes, inclusive cuando la unidad esté apagada. 


9. Mantenga los dedos alejados del compresor cuando esté funcionando; las piezas en movimiento o calientes, le ocasionarían heridas y/o quemaduras.
10. Si el equipo comienza a vibrar excesivamente, APAGUE el motor y chequéelo inmediatamente para determinar la razón. Generalmente, la vibración excesiva se debe a una falla.
11. Para reducir el peligro de incendio, mantenga el exterior del motor libre de aceite, solventes o exceso de grasa.


PRECAUCION Nunca debe desconectar o tratar de ajustar las válvulas de seguridad. Igualmente, debe evitar que se le acumule pintura u otros materiales.

PELIGRO ¡Nunca trate de reparar o modificar el tanque! Si lo suelda, taladra o modifica de cualquier otra manera, el tanque se debilitará y se podría dañar, romperse o explotar. Siempre reemplace los tanques desgastados, rotos o dañados. 

- PRECAUCION** Drene el tanque diariamente.
12. Los tanques se oxidan debido a la acumulación de humedad y ésto debilita el tanque. Asegúrese de drenar el tanque a diario y de inspeccionar periódicamente para detectar condiciones de peligro como la formación de óxido y corrosión.
 13. La circulación rápida de aire podría levantar polvo y desperdicios dañinos. Siempre libere el aire lentamente para drenar el tanque o liberar la presión del sistema.
 14. Uso de interior solamente.
 15. Para reducir el riesgo de choque eléctrico, no exponer a la lluvia. Guarde bajo techo.

PRECAUCIONES PARA ROCIAR

PRECAUCION Nunca rocíe materiales inflamables cerca de llamas al descubierto o fuentes de ignición incluyendo el compresor. 

16. No fume mientras esté rociando pintura, insecticidas u otras sustancias inflamables.
17. Use una máscara / respirador cuando vaya a rociar y siempre rocíe en un área bien ventilada para evitar peligros de salud e incendios. 
18. Nunca rocíe la pintura y otros materiales, directamente hacia el compresor. Coloque el compresor lo más lejos posible del área de trabajo, para minimizar la acumulación de residuos en el compresor.
19. Al rociar o limpiar con solventes o químicos tóxicos, siga las instrucciones del fabricante de dichos químicos.

PRECAUCIONES PARA LAS MANGUERAS

20. Revise la manguera antes del uso.

ADVERTENCIA No exceda la presión de trabajo indicada en la manguera. 

ADVERTENCIA DEBE instalarle No doble ni haga nudos o raspe la manguera.

21. No enrolle la manguera alrededor del cuerpo.

ADVERTENCIA DEBE instalarle Manténgala alejada de superficies calientes y químicos.

GUARDE ESTAS INSTRUCCIONES NO LAS DESECHE

Instalación

LUBRICACIÓN

Este es un aparato sin aceite y NO REQUIERE lubricación para su funcionamiento.

UBICACIÓN

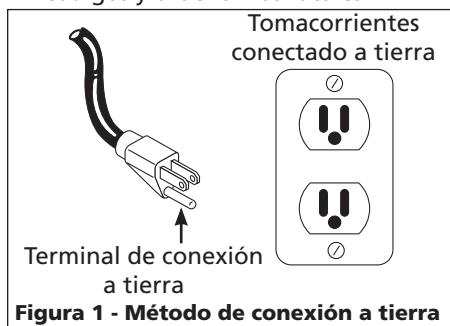
Es de suma importancia usar el compresor en un lugar limpio y bien ventilado donde la temperatura ambiente no sea mayor de 38° C (100°F). Se requiere un espacio mínimo de 45,7 cm (18 pulgadas) entre el compresor y la pared, ya que los objetos podrían obstruir el paso de aire.

Instalación (Continuación)

⚠ PRECAUCION *No coloque la entrada de aire del compresor cerca de áreas con vapor, vapores de pintura, chorros de arena o cualquier otra fuente de contaminación. Los desperdicios dañarán el motor.*

CONEXION A TIERRA

1. Este producto está diseñado para circuitos nominales de 120 voltios y tiene un enchufe para conexión a tierra similar al de la Figura 1. Cerciórese de conectarlo a un tomacorrientes cuya configuración sea similar a la del enchufe. Este producto se debe conectar a tierra. En caso de que ocurra un cortocircuito, ésto evitaría el riesgo de choque eléctrico al ofrecerle un cable de desvío a la corriente eléctrica. Este producto tiene un cordón con un alambre y terminal de conexión a tierra. Debe conectarlo a un tomacorrientes que esté instalado adecuadamente según los códigos y ordenanzas locales.



⚠ PELIGRO *El uso inadecuado del enchufe con conexión a tierra podría ocasionarle choques eléctricos.*



⚠ PELIGRO *¡No use un adaptador para conexión a tierra con este producto!*

2. Si necesita reparar o reemplazar el cordón o el enchufe, no conecte el cable de conexión a tierra a ninguno de los terminales planos. El alambre cuya superficie externa del aislante es verde, con o sin rayas amarillas, es el cable de conexión a tierra.

⚠ ADVERTENCIA *Nunca conecte los cables verdes o verde con rayas amarillas, a un terminal con tensión.*

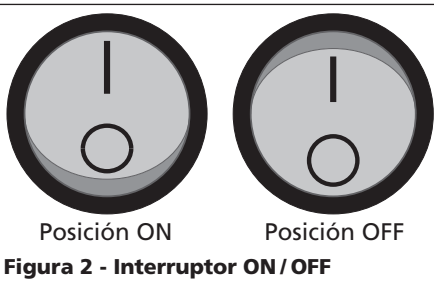
3. Consúltele a un electricista calificado o a un técnico de reparación, en caso de que no comprenda bien las instrucciones o si tiene dudas de que esté conectado a tierra adecuadamente. No modifique el enchufe, si éste no entra en el tomacorrientes, mande a instalar un tomacorrientes adecuado con un electricista calificado.

⚠ PRECAUCION *Un cableado inadecuado provocará daños por sobrecalentamiento, cortocircuitos e incendio.*

Términos y definiciones

Interruptor ON/OFF (I/O)-

Ponga el interruptor en la posición ON (I) para encender el compresor. Ponga el interruptor en la posición OFF (O) para apagar el compresor. El interruptor debe colocarse en la posición OFF (O) para conectar o desconectar el cordón eléctrico del tomacorrientes o para cambiar herramientas.



Interruptor de presión (ubicado internamente) - Al encender el compresor (ON), este interruptor lo apaga automáticamente cuando la presión del tanque alcanza la presión máxima de apagado/corte. Si el compresor queda encendido y el aire en el tanque se agota, este interruptor le permite al compresor volver a arrancar automáticamente cuando la presión alcance el valor de reencendido / arranque.

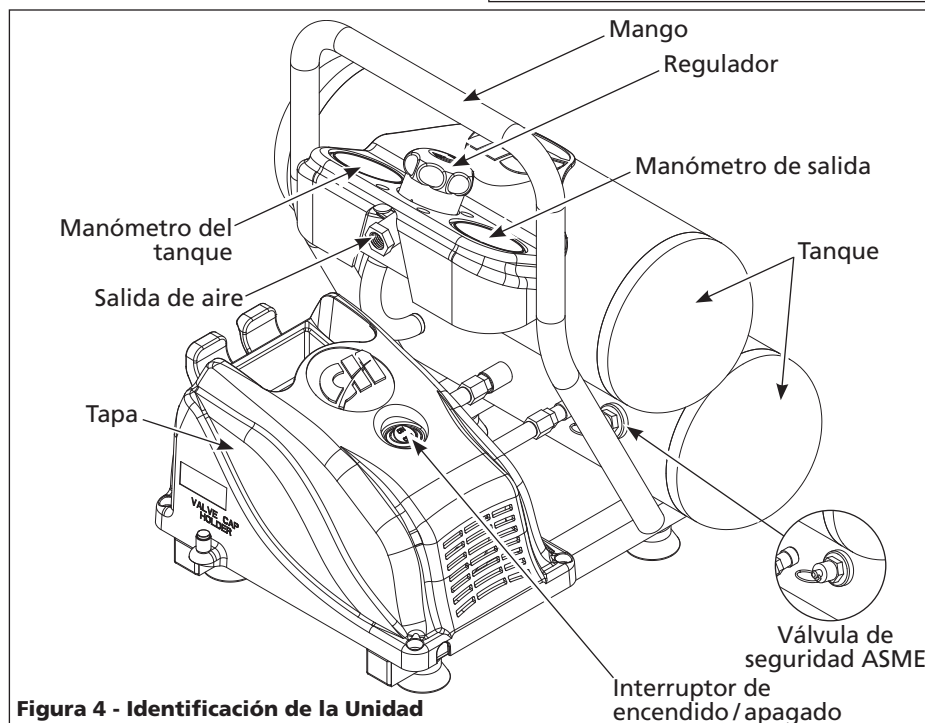
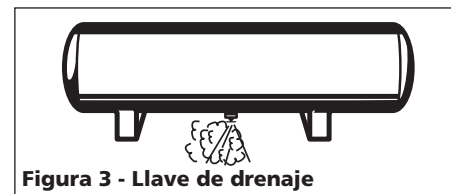
Mango - Diseñado para mover el compresor.

Válvula de seguridad ASME - Esta válvula automáticamente libera el aire si la presión del tanque excede el valor máximo fijado de fábrica.

Regulador - El regulador controla la cantidad de presión de aire expulsada por la manguera. Al girar la perilla del regulador en sentido horario (hacia la derecha) la presión de aire a la salida aumenta. Al girar la perilla en sentido antihorario (hacia la izquierda) la presión de aire a la salida disminuye. Al girar la perilla completamente en sentido antihorario, el suministro de aire se cierra completamente.

Manómetros - Hay dos manómetros ubicados al lado del regulador. Estos dos manómetros indican la presión del aire en bar (psi). El manómetro de la izquierda muestra la presión de salida. Asegúrese de que este manómetro indique CERO (ajustando el regulador) ANTES de cambiar las herramientas de aire o de desconectar la manguera de la salida. El manómetro que se encuentra a la izquierda muestra la presión del tanque indicando que el compresor está acumulando presión de forma adecuada.

Llave de drenaje - Esta válvula está ubicada debajo del tanque. Úsela para drenar la humedad del tanque diariamente, para evitar que el tanque se oxide.



Términos y definiciones (Continuación)

Protección del motor - Si la unidad está sobre exigida, un limitador térmico apagará la unidad. Si esto sucede, apague la unidad poniendo el interruptor en OFF, espere 30 minutos a que se enfríe y vuelva a encender para continuar con el trabajo.

Funcionamiento

LUBRICACION

Este es un aparato sin aceite y **NO REQUIERE** lubricación para su funcionamiento.

ANTES DE ARRANCARLO POR PRIMERA VEZ - PROCEDIMIENTO DE ABLANDE

Complete este procedimiento antes de usar el compresor por primera vez. Una vez completado, no es necesario repetirlo.

1. Gire la perilla del regulador totalmente hacia la derecha para abrir el flujo de aire.
2. No conecte una manguera ni ningún otro accesorio al compresor.
3. Coloque el interruptor de encendido/apagado en la posición OFF - (O) [apagado].
4. Enchufe el cable de corriente.
5. Coloque el interruptor de encendido/apagado en la posición ON - (I) [encendido]. Deje que el compresor funcione durante 5 minutos.
6. Coloque el interruptor de encendido/apagado en la posición OFF - (O) [apagado].
7. Desenchufe el cable de corriente.

PROCEDIMIENTO DE ENCENDIDO

1. Coloque el interruptor en OFF (O) y conecte el cordón al tomacorrientes.
2. Gire la perilla del regulador en sentido antihorario para cerrar el flujo de aire.
3. Coloque el interruptor en ON (I).
4. El compresor aumentará la presión al valor máximo y se apagará.
5. Con la manguera conectada a la salida del compresor, conecte la boquilla para la llanta u otra herramienta al extremo libre de la manguera.
6. Ajuste el regulador a la presión adecuada para una herramienta o neumático. Maneje la herramienta según las instrucciones.

A medida que el aire del tanque se agota por el uso de la boquilla para la llanta, herramienta, etc., el compresor vuelve a encenderse automáticamente a la presión prefijada de activación. Cuando se use una herramienta en forma continua, el compresor cumplirá ciclos de encendido y apagado en forma automática.

7. Cuando termine de usar el compresor, ponga el interruptor en OFF (O), desenchufe el cable eléctrico y drene el aire del tanque.

Instrucciones de Uso y Mantenimiento

⚠ ADVERTENCIA

Desconecte el cordón eléctrico del tomacorrientes y libere toda la presión del sistema antes de tratar de instalar, darle servicio, cambiar de lugar o darle cualquier tipo de mantenimiento. El servicio debe ser realizado por un representante de servicio autorizado.



Este compresor se debe chequear con frecuencia para ver si tiene algún tipo de problemas y le debe dar el siguiente mantenimiento antes de cada uso.

VALVULA DE SEGURIDAD ASME

⚠ ADVERTENCIA

¡Nunca desconecte o trate de ajustar la válvula de seguridad ASME!

Revise la válvula de seguridad siguiendo los siguientes pasos:

1. Enchufe el compresor y hágalo funcionar hasta que se alcance la presión de corte (consulte Funcionamiento).
2. Usando gafas de protección, tire del anillo de la válvula de seguridad para liberar la presión del tanque del compresor. Use su otra mano para desviar el aire que se mueve a gran velocidad y evitar que le dé en el rostro.
3. Esta válvula de seguridad debería cerrarse automáticamente a 2,76 bar - 3,45 bar. Si la válvula de seguridad no deja salir aire cuando tira del anillo o si no se cierra automáticamente, DEBE ser reemplazada.

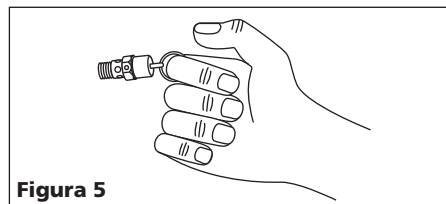


Figura 5

DRENAJE DEL TANQUE

Apague el compresor y libere toda la presión, después: Abra la llave de drenaje, ubicada debajo del tanque, para drenar toda la humedad.

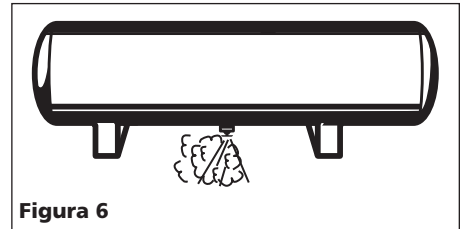


Figura 6

LIMPIEZA

APAGUE la unidad y limpie la tapa del cabezal, el tanque y las líneas de aire.

IMPORTANTE: El compresor debe colocarse lo más lejos posible del área de pulverización, según lo permita la longitud de la manguera, para evitar que el exceso de pulverización atasque el filtro de aire.

CONCLUSIÓN DEL TRABAJO / ALMACENAJE

1. Coloque el interruptor de ON / OFF en la posición OFF - (O) [apagado].
2. Desenchufe el cordón del tomacorrientes de pared y envuélvalo alrededor del mango para prevenir daños cuando no se use.
3. Con las gafas de seguridad puestas, descargue el aire del tanque halando el anillo de la válvula de seguridad. Use su otra mano para desviar el aire que se mueve a gran velocidad y evitar que le dé en el rostro.
4. Drene el tanque de la condensación abriendo la válvula de drenaje al fondo del tanque. Cuando drene el tanque, la presión debe estar por debajo de 0,69 bar.
5. Debe desconectar la manguera del compresor y colgarla con los extremos hacia abajo para que toda humedad se drene.
6. El compresor y la manguera deben guardarse en un lugar fresco y seco.

HUMEDAD EN EL AIRE COMPRIMIDO

La humedad que se acumula en el aire comprimido se convierte en gotas a medida que sale del cabezal del compresor de aire. Cuando el nivel de humedad es muy alto o cuando el compresor ha estado en uso continuo por mucho tiempo, ésta se acumulará en el tanque. Al usar una pistola pulverizadora de pintura o una rociadora de arena, la humedad saldrá a través de la manguera mezclada con el material que esté rociando.

IMPORTANTE: Esta condensación ocasionará manchas en la superficie pintada, especialmente cuando esté pulverizando pinturas que no sean a base de agua. Al rociar arena ésta ocasionará que la arena se aglutine y obstruya la pistola, reduciendo su eficacia. Para eliminar este problema, instale un filtro en la línea de aire (MP3105), lo más cerca posible de la pistola.

Guía de Diagnóstico de Averías**ADVERTENCIA**

Deje de usar la grapadora inmediatamente si alguno de los siguientes problemas ocurre. Podría ocasionarle heridas graves. Cualquier reparación o reemplazo de piezas los debe hacer un técnico calificado personal de un centro autorizado de servicio.

Problema	Causa	Solución
El compresor no funciona	1. El interruptor está en la posición OFF (apagado)	1. Asegúrese de que el compresor esté enchufado y que el interruptor esté en la posición ON (encendido)
	2. No hay corriente eléctrica en el tomacorriente de la pared	2. Revise el disyuntor o fusible en el panel de electricidad.
	3. El compresor alcanzó la presión de corte automático	3. Libere aire del tanque hasta que el compresor se reinicie automáticamente.
	4. Motor recalentado / sobre exigido	4. Ponga el interruptor en OFF, deje enfriar por 30 minutos, vuelva a encender el interruptor para continuar con el trabajo. Asegúrese de que el compresor esté funcionando en un área limpia y bien ventilada donde la temperatura no exceda los 38°C (100°F).
	5. Conexiones eléctricas sueltas	5. Verifique todas las conexiones eléctricas
	6. Interruptor de ON/OFF defectuoso	6. Reemplace el interruptor ON / OFF
	7. Interruptor de presión defectuoso	7. Cambie el interruptor de presión
	8. Motor defectuoso	8. Reemplace el ensamble de la bomba / motor
El protector térmico de sobrecarga detiene el funcionamiento reiteradamente	1. Falta de ventilación adecuada / temperatura ambiente demasiado alta	1. Mueva el compresor a un área limpia y bien ventilada donde la temperatura no exceda los 38°C (100°F).
	2. Uso excesivo de aire, el compresor es demasiado pequeño	2. Disminuya el uso o compre una unidad que ofrezca una entrega de aire mayor (SCFM)
La presión del tanque disminuye cuando se apaga el compresor	1. La válvula de drenaje del tanque está abierta	1. Cierre la válvula de drenaje del tanque
	2. Conexiones flojas (accesorios, tubería, manguera de aire, cualquier conexión, etc.)	2. Revise todas las conexiones con una solución de agua y jabón. Si se detecta una fuga, apriete. O quite la conexión y aplique cinta para tuberías a las rocas y vuelva a armar.
	3. Fugas del tanque	3. Revise todo el tanque en busca de fugas con una solución de agua y jabón.
El compresor trabaja sin parar / la salida de aire es inferior a lo normal	1. Uso excesivo de aire, el compresor es demasiado pequeño	1. Disminuya el uso o compre una unidad que ofrezca una entrega de aire mayor (SCFM)
	2. La válvula de drenaje del tanque está abierta	2. Cierre la válvula de drenaje del tanque
	3. Conexiones flojas (accesorios, tubería, manguera de aire, cualquier conexión, etc.)	3. Revise todas las conexiones con una solución de agua y jabón. Si se detecta una fuga, apriete. O quite la conexión y aplique cinta para tuberías a las rocas y vuelva a armar.
	4. La bomba se ha desgastado	4. Reemplace el ensamble de la bomba/motor
Exceso de humedad en el aire de descarga	1. Demasiada agua en el tanque	1. Drene el tanque, incline el tanque para eliminar la humedad
	2. Humedad elevada	2. Llévelo a un área menos húmeda, utilice un filtro de aire de línea
El compresor funciona en forma continua y la válvula de seguridad se abre cuando aumenta la presión	1. Presostato defectuoso	1. Cambie el presostato
	2. Válvula de seguridad defectuosa	2. Cambie la válvula de retención con un repuesto original

**PELIGRO**

No desarme la válvula de retención. Si hay aire en el tanque, primero purgue el tanque.

Para ordenar repuestos o asistencia técnica, sírvase llamar al distribuidor más cercano a su domicilio

Sírvase darnos la siguiente información:

- Número del modelo
- Número de Serie (de haberlo)
- Descripción y número del repuesto según la lista de repuestos

Puede escribirnos a:

Campbell Hausfeld
 Attn: Customer Service
 100 Production Drive
 Harrison, OH 45030 U.S.A.

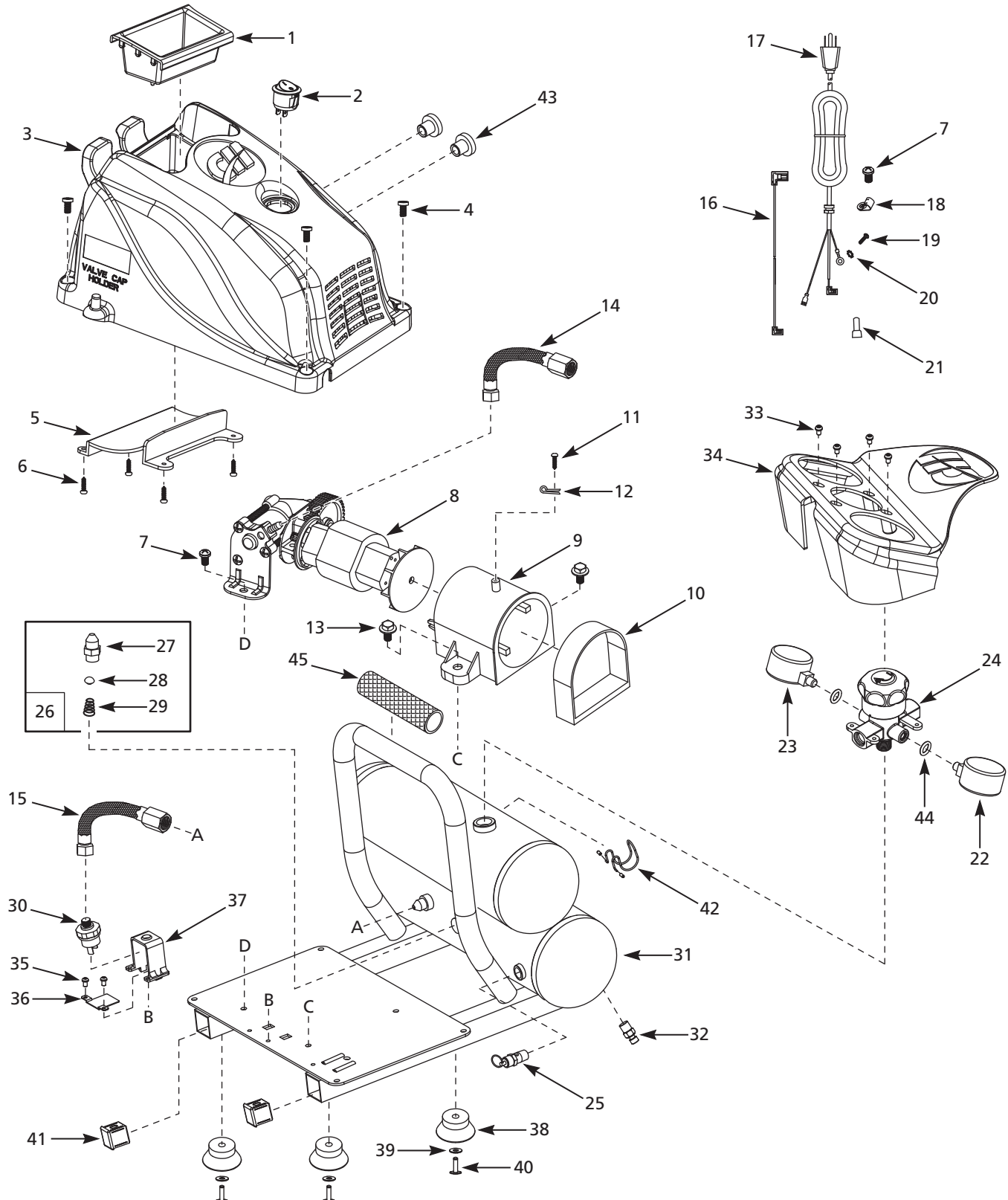


Figura 7

Lista de Piezas

No. de Ref.	Descripción	Número del Repuesto	Ctd.
1	Inserto del compartimiento accesorio	▲	1
2	Interruptor de encendido/apagado	FP205129AV	1
3	Tapa	▲	1
4	Tornillo	■	4
5	Accesorio de la cubierta	▲	1
6	Tornillo	▲	4
7	Tornillo	■	2
8	Ensamblaje de bomba/motor	FP060000AV	1
9	Juego de cubierta	●	1
10	Aislador de la cubierta del motor	●	1
11	Tornillo	*	1
12	Sujetador del cable	FP202823AV	1
13	Tornillo	■	2
14	Tubo de escape	FP202839AV	1
15	Manguera	FP209535AV	1
16	Cable (interruptor de presión a interruptor de corriente)	FP209523AV	1
17	Cordón eléctrico	◆	1
18	Sujetador del cable/liberación de tensión	◆	1
19	Tornillo	*	1
20	Arandela con dientes	*	1
21	Terminal	--	1
22	Manómetro de salida	FP204013AV ▼	1
23	Manómetro del tanque	FP204012AV ▼	1
24	Regulador y ensamble del distribuidor	FP018800AV ▼	1
25	Válvula de seguridad ASME	V-215100AV	1
26	Ensamblaje de Válvula de chequeo	FP209532AV	1
27	Válvula de chequeo	--	1
28	Castillete	--	1
29	Resorte	--	1
30	Interruptor de presión	FP018400AV	1

No. de Ref.	Descripción	Número del Repuesto	Ctd.
31	Tanque	--	1
32	Válvula de drenaje	D-1403	1
33	Tornillo	■ ▼	4
34	Cubierta del distribuidor	--	1
35	Tornillo	★	2
36	Placa del presostato	★	1
37	Soporte del interruptor de presión	★	1
38	Pata de caucho	△	4
39	Arandela	*	4
40	Remache	--	4
41	Tapa lateral	--	4
42	Gancho	FP209521AV	1
43	Ojal de goma	--	2
44	Empaque	▼	2
45	Asa del mango	--	1

JUEGOS DE REPUESTOS

▲	Juego de cubierta	FP018900AV
■	Juego de sujetador	FP019000AV
●	Juego de la cubierta del motor	FP018700AV
◆	Cable de energía con liberación de tensión	FP209534AV
▼	Juego de ensamble del distribuidor	FP019100AV
★	Juego de montaje del presostato	FP019200AV
△	Juego de pata de caucho	FP209522AV
*	Artículo estándar de ferretería - disponible en su ferretería local	
--	No disponible	

Garantía Limitada

- 1 DURACION: A partir de la fecha de compra por el comprador original tal como se especifica a continuación: Un (1) año.
- 2 QUIEN OTORGA ESTA GARANTIA (EL GARANTE: Campbell Hausfeld / The Scott Fetzer Company 100 Production Drive, Harrison, Ohio 45030 Teléfono: (800) 543-6400
- 3 QUIEN RECIBE ESTA GARANTIA (EL COMPRADOR): El comprador original (que no sea un revendedor) del producto Campbell Hausfeld.
- 4 PRODUCTOS CUBIERTOS POR ESTA GARANTIA: Cualquier clavadora, grapadora, herramienta neumática, pistola pulverizadora, inflador o accesorio neumático suministrado o fabricado por el Garante.
- 5 COBERTURA DE LA GARANTIA: Los defectos substanciales de material y fabricación que ocurran dentro del período de validez de la garantía.
- 6 LO QUE NO ESTA CUBIERTO POR ESTA GARANTIA:
 - A. Las garantías implícitas, incluyendo aquellas de comercialidad E IDONEIDAD PARA FINES PARTICULARES, ESTAN LIMITADOS A LO ESPECIFICADO EN EL PARRAFO DE DURACION. Si este producto es empleado para uso comercial, industrial o para renta, la garantía será aplicable por noventa (90) días a partir de la fecha de compra. En algunos estados no se permiten limitaciones a la duración de las garantías implícitas, por lo tanto, en tales casos esta limitación no es aplicable.
 - B. CUALQUIER PERDIDA DAÑO INCIDENTAL, INDIRECTO O CONSECUENTE QUE PUEDA RESULTAR DE UN DEFECTO, FALLA O MALFUNCIONAMIENTO DEL PRODUCTO CAMPBELL HAUSFELD. En algunos estados no se permite la exclusión o limitación de daños incidentales o consecuentes, por lo tanto, en tales casos esta limitación o exclusión no es aplicable.
 - C. Cualquier falla que resulte de un accidente, abuso, negligencia o incumplimiento de las instrucciones de funcionamiento y uso indicadas en el (los) manual(es) que se adjunta(n) al producto. Dichos accidentes, abusos por parte del comprador, o falta de operar el producto siguiendo las instrucciones del manual de instrucciones suministrado también debe incluir la desconexión o modificación de los instrumentos de seguridad. Si dichos instrumentos de seguridad son desconectados, la garantía quedaría cancelada.
 - D. Los ajustes normales explicados en el(los) manual(es) suministrado(s) con el producto.
 - E. Artículos o servicios normalmente requeridos para el mantenimiento del producto, tales como: anillos en O, resortes, amortiguadores, defensas, hojas de impulsor, fusibles, baterías, empaques, almohadillas o sellos, boquillas de fluido, agujas, boquillas para rociar arena, lubricantes, mangueras de material, elementos filtrantes, álabes de motores, abrasivos, hojillas, discos para cortar, cinceles, retenes para cinceles, cortadores, collarines, mandriles, mordazas para remachadoras, brocas para desarmadores, almohadillas para lijar, soportes de almohadillas, mecanismo de impacto o cualquier otro artículo desgastable que no se haya enumerado específicamente. Estos artículos sólo estarán cubiertos bajo esta garantía por noventa (90) días a partir de la fecha de compra original. Los artículos subrayados sólo están garantizados por defectos de material o fabricación.
- 7 RESPONSABILIDADES DEL GARANTE BAJO ESTA GARANTIA: Reparar o reemplazar, como lo decida el Garante, los productos o componentes que estén defectuosos, se hayan dañado o hayan dejado de funcionar adecuadamente, durante el período de validez de la garantía.
- 8 RESPONSABILIDADES DEL COMPRADOR BAJO ESTA GARANTIA:
 - A. Suministrar prueba fechada de compra y la historia de mantenimiento del producto.
 - B. Llame a Campbell Hausfeld (800) 543-6400 por sus opciones de servicio incluidas en la garantía. Los costos de flete correrán por cuenta del comprador.
 - C. Seguir las instrucciones sobre operación y mantenimiento del producto, tal como se indica(n) en el (los) manual(es) del propietario.
- 9 CUANDO EFECTUARA EL GARANTE LA REPARACION O REEMPLAZO CUBIERTO BAJO ESTA GARANTIA: La reparación o reemplazo dependerá del flujo normal de trabajo del centro de servicio y de la disponibilidad de repuestos.

Esta garantía limitada es válida sólo en los EE.UU., Canadá y México y otorga derechos legales específicos. Usted también puede tener otros derechos que varían de un Estado a otro. o de un país a otro.