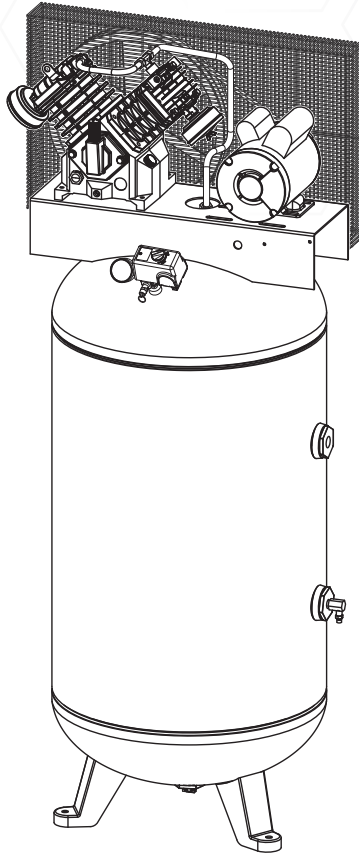




NEXT GENERATION OF TOUGH TOOLS™



ITEM #0048365

80 GALLON STATIONARY AIR COMPRESSOR

MODEL #TQ3126

Français p. 29

Español p. 57

KOBALT® and the K Design® are registered trademarks of LF, LLC. All Rights Reserved.

ATTACH YOUR RECEIPT HERE

Serial Number _____ Purchase Date _____



Questions, problems, missing parts? Before returning to your retailer, call our customer service department at 1-888-3KOBALT (1-888-356-2258), 8 a.m. - 8 p.m., EST, Monday - Friday.

TABLE OF CONTENTS

Safety Guidelines	3
Safety Information	3
Package Contents	6
Preparation	7
Installation Instructions	8
Assembly Instructions.....	12
Operating Instructions	14
Care and Maintenance	16
Troubleshooting	18
Warranty	22
Replacement Parts List	24

PRODUCT SPECIFICATIONS

COMPONENT	SPECIFICATIONS
Model	TQ3126
HP	5
Number of Cylinders	4
Air Delivery @ 90 PSI	16 CFM
Voltage	230 Volts/19 Amps
Max Pressure	155 PSI

COMPONENT	SPECIFICATIONS
Oil Capacity	32 oz.
Tank Outlet Size	3/4 NPT
Length	31 in.
Width	42 in.
Height	80 in.
Weight	410 lbs.

SAFETY GUIDELINES

Please read and understand this entire manual before attempting to assemble, operate or install the product. If you have any questions regarding the product, please call customer service at 1-888-3KOBALT (1-888-356-2258), 8:00 am - 8:00 pm, EST, Monday - Friday.

This manual contains information that is very important to know and understand. This information is provided for SAFETY and to PREVENT EQUIPMENT PROBLEMS. To help recognize this information, observe the following symbols.

DANGER

Danger indicates an imminently hazardous situation which, if not avoided, WILL result in death or serious injury.

WARNING

Warning indicates a potentially hazardous situation which, if not avoided, COULD result in death or serious injury.

CAUTION

Caution indicates a potentially hazardous situation which, if not avoided, MAY result in minor or moderate injury.

NOTICE

Notice indicates important information, that if not followed, may cause damage to equipment.

SAFETY INFORMATION

CALIFORNIA PROPOSITION 65

WARNING

Handle with Care. This product or its power cord may contain chemicals known to the State of California to cause cancer and birth defects or other reproductive harm. Wash hands after handling.

WARNING



Wear Eye and Mask Protection. You can create dust when you cut, sand, drill or grind materials such as wood, paint, metal, concrete, cement, or other masonry. This dust often contains chemicals known to cause cancer, birth defects, or other reproductive harm. Wear protective gear.

GENERAL SAFETY

Since the air compressor and other components (material pump, spray guns, filters, lubricators, hoses, etc.) used, make up a high pressure pumping system, the following safety precautions must be observed at all times:

1. Read all manuals included with this product carefully. Be thoroughly familiar with the controls and the proper use of the equipment.
2. Follow all local electrical and safety codes as well as in the United States, the National Electrical Codes (NEC) and Occupational Safety and Health Act (OSHA).
3. Only persons well acquainted with these rules of safe operation should be allowed to use the compressor.
4. Keep visitors away and NEVER allow children in the work area.
5. Wear safety glasses and use hearing protection when operating the unit.



SAFETY INFORMATION

GENERAL SAFETY (Continued)

6. Do not stand on or use the unit as a handhold.
7. Before each use, inspect compressed air system and electrical components for signs of damage, deterioration, weakness or leakage. Repair or replace defective items before using.
8. Check all fasteners at frequent intervals for proper tightness.
9. Do not wear loose clothing or jewelry that will get caught in the moving parts of the unit.
10. Keep fingers away from a running compressor; fast moving and hot parts will cause injury and/or burns.
11. If the equipment should start to vibrate abnormally, STOP the engine/motor and check immediately for the cause. Vibration is generally a warning of trouble.
12. To reduce fire hazard, keep engine/motor exterior free of oil, solvent, or excessive grease.
13. Never attempt to adjust ASME safety valve. Keep safety valve free from paint and other accumulations.
14. Tanks rust from moisture build-up, which weakens the tank. Make sure to drain tank regularly and inspect periodically for unsafe conditions such as rust formation and corrosion.
15. Fast moving air will stir up dust and debris which may be harmful. Release air slowly when draining moisture or depressurizing the compressor system.

DANGER

Risk of Personal Injury. This compressor/pump is NOT equipped and should NOT be used “as is” to supply breathing quality air. For any application of air for human consumption, you must fit the air compressor/pump with suitable in-line safety and alarm equipment. This additional equipment is necessary to properly filter and purify the air to meet minimal specifications for Grade D breathing as described in Compressed Gas Association Commodity Specification G 7.1, OSHA 29 CFR 1910. 134, and/or Canadian Standards Associations (CSA).

DISCLAIMER OF WARRANTIES

In the event the compressor is used for the purpose of breathing air application and proper in-line safety and alarm equipment is not simultaneously used, existing warranties are void, and the Manufacturer disclaims any liability whatsoever for any loss, personal injury or damage.

WARNING

Risk of Personal Injury and/or Equipment Damage. Never install a shut-off valve between the compressor pump and the tank.

DANGER



Risk of Explosion. Never attempt to repair or modify a tank! Welding, drilling or any other modification will weaken the tank resulting in damage from rupture or explosion. Always replace worn, cracked or damaged tanks.

WARNING



Risk of Fire. Motors, electrical equipment and controls can cause electrical arcs that will ignite a flammable gas or vapor. Never operate or repair in or near a flammable gas or vapor. Never store flammable liquids or gases in the vicinity of the compressor.

WARNING

Risk of Explosion. Never use plastic (PVC) pipe for compressed air. Serious injury or death could result.

SAFETY INFORMATION

GENERAL SAFETY (Continued)

WARNING

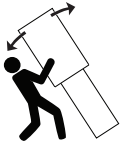


Risk of Personal Injury. Never operate compressor without a beltguard. This unit can start automatically without warning. Personal injury or property damage could occur from contact with moving parts.

WARNING

Risk of Explosion. An ASME code safety relief valve with a setting no higher than the maximum allowable working pressure (MAWP) MUST be installed in the tank for this compressor. The ASME safety valve must have sufficient flow and pressure ratings to protect the pressurized components from bursting.

WARNING



Risk of Personal Injury. This compressor is extremely top heavy. The unit must be bolted to the floor with isolation pads before operating to prevent equipment damage, injury or death.

CAUTION

Do Not Overpressure. See compressor specification decal for maximum operating pressure. Do not operate with pressure switch or pilot valves set higher than the maximum operating pressure.

CAUTION



Risk of Personal Injury. Compressor parts may be hot even if the unit is stopped.

NOTICE

Unit Care and Maintenance. Drain liquid from tank daily.

SPRAYING PRECAUTIONS

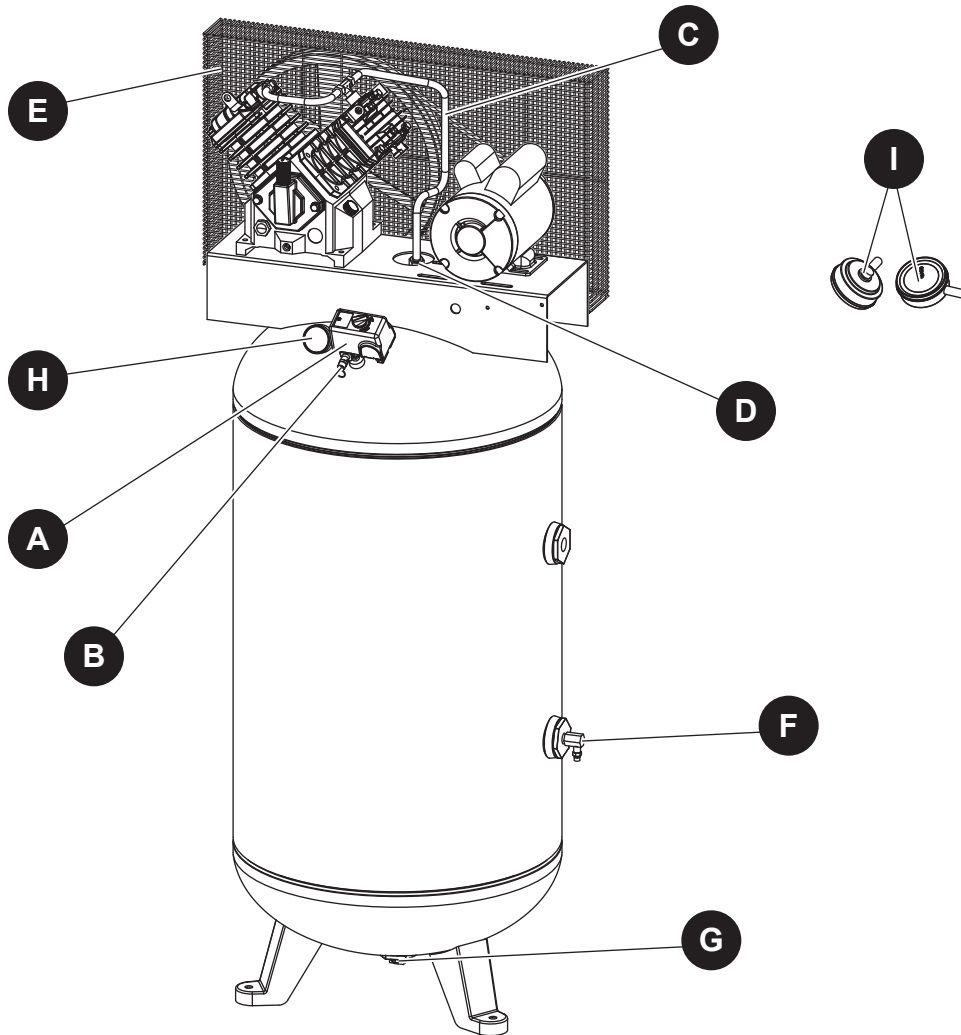
1. Do not smoke when spraying paint, insecticides, or other flammable substances.
2. Use a face mask/respirator when spraying and spray in a well-ventilated area to prevent health and fire hazards.
3. Do not direct paint or other sprayed material at the compressor. Locate compressor as far away from the spraying area as possible to minimize overspray accumulation on the compressor.
4. When spraying or cleaning with solvents or toxic chemicals, follow the instructions provided by the chemical manufacturer.

WARNING



Risk of Fire. Do not spray flammable materials in vicinity of open flame or near ignition sources including the compressor unit.

PACKAGE CONTENTS



PART	DESCRIPTION	QTY.
A	<p>Pressure Switch - AUTO/OFF Switch - In the AUTO position, the compressor shuts off automatically when tank pressure reaches the maximum preset pressure. After air is used from the tank and drops to a preset low level, the pressure switch automatically turns the motor back on. In the OFF position, the compressor will not operate. This switch should be in the OFF position when connecting or disconnecting the power from the unit.</p> <p>When the pressure switch turns the motor off you will hear air leaking out of the pressure switch unloader valve for a short time. This releases the air pressure from the discharge tube and allows the compressor to restart easier.</p>	1
B	<p>ASME Safety Valve - This valve automatically releases air if the tank pressure exceeds the preset maximum.</p>	1
C	<p>Discharge Tube - This tube carries compressed air from the pump to the check valve. This tube becomes very hot during use. To avoid the risk of severe burns, never touch the discharge tube.</p>	1

PACKAGE CONTENTS

PART	DESCRIPTION	QTY.
D	Check Valve - One-way valve that allows air to enter the tank, but prevents air in the tank from flowing back into the compressor pump.	1
E	Belt Guard - Covers the belt, motor pulley and flywheel.	1
F	Side Drain Valve - Use this valve to drain moisture from the tank daily to reduce the risk of corrosion.	1
G	Bottom Drain Valve - Use this valve to drain moisture from the tank daily to reduce the risk of corrosion.	1
H	Tank Pressure Gauge - Indicates amount of air pressure stored in tank.	1
I	Air Filter - Keeps large particulates out of the air flowing into the compressor.	2

PREPARATION

Before beginning installation and/or assembly of product, make sure all parts are present. Compare parts with package contents list. If any part is missing or damaged, do not attempt to assemble or use the product. Contact customer service for replacement parts and assistance.

WARNING

Risk of Personal Injury. Do not operate unit if damaged during shipping, handling or use. Damage may result in bursting and cause injury or property damage.

Estimated Installation and Assembly Time: 120 minutes

Tools Required for Installation and Assembly (not included): Safety Glasses; Work Gloves; 9/16 in. Socket and Ratchet; Tape measure; Hammer Drill and Masonry Bit; Hammer; Phillips Screwdriver; Flathead Screwdriver; Pipe Wrench; Two Adjustable Wrenches; 1/4 in. Nut Driver, Socket or Wrench; 240 Volt, 30 Amp Double Pole Circuit Breaker; Voltage Meter; Vibration Pads; 3/8 in. x 5 in. Wedge Anchors (for concrete installation)

INSTALLATION INSTRUCTIONS

UNIT INSTALLATION

⚠ WARNING

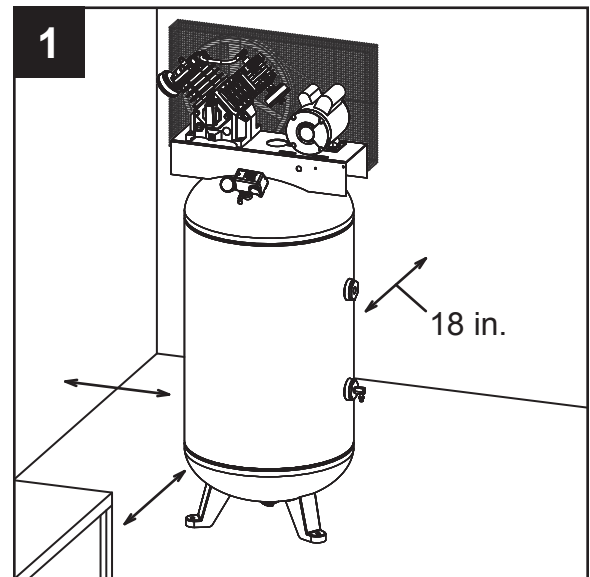
Risk of Personal Injury. Do not lift or move unit without appropriately rated equipment. Be sure the unit is securely attached to lifting device used. Do not lift unit by holding onto tubes or coolers. Do not use unit to lift other attached equipment.

NOTICE

Unit Care and Maintenance. This compressor is not intended for outdoor installation.

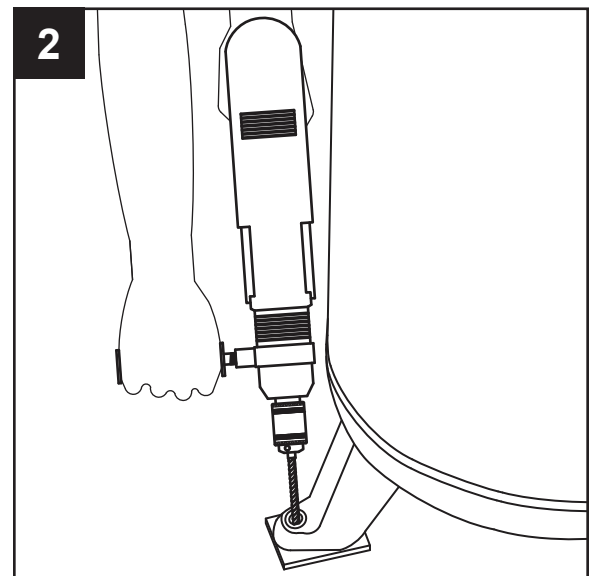
It is extremely important to install the compressor in a clean, well-ventilated area where the surrounding air temperature will not be more than 100°F. Do not locate the compressor air inlet near steam, paint spray, sandblast areas or any other source of contamination.

1. Unbolt the unit from the shipping skid. Use a ratchet with a 9/16 in. socket. Remove the unit from the skid. This requires at least two people - one person to walk the unit off the skid and one to help maintain balance so the unit does not topple. Place the unit where you plan to install it (at least 18 in. from any wall or surface).



2. Place pre-drilled vibration pads (sold separately) under each foot to avoid unnecessary vibration which could damage the unit.

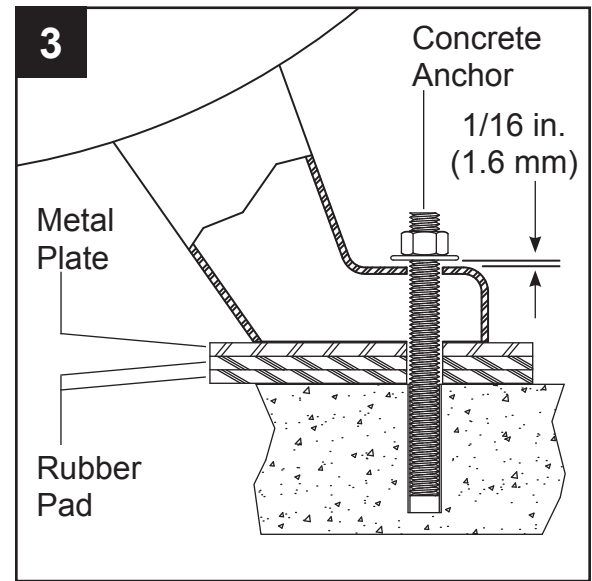
Using the mounting holes and the holes of the vibration pads as a guide, drill holes into concrete using a 3/8 in. masonry bit. Holes drilled must be at least 5 in. into the concrete.



INSTALLATION INSTRUCTIONS

3. Insert mounting bolts. Use 3/8 in. x 5 in. wedge anchors (not included) to secure the unit. Place nut and washer on bolt. Thread nut onto bolt until tops are flush. Strike bolt with hammer until nut and washer are setting on top of the compressor foot.

Tighten nut using ratchet with a 9/16 in. socket until anchor is set (using installation torque specifications of bolt being used). Loosen nut to leave a 1/16 in. (1.6 mm) gap for stress relief during unit operation.



ELECTRICAL INSTALLATION

⚠ DANGER



Risk of Shock. Improperly grounded motors are shock hazards. Make sure all the equipment is properly grounded.

⚠ WARNING

Risk of Personal Injury or Damage to Personal Property. Overheating, short circuiting and fire damage will result from inadequate wiring.

⚠ WARNING



Risk of Shock. All wiring and electrical connections must be performed by a qualified electrician familiar with industrial motor controls. Installations must be in accordance with local and national codes.

⚠ WARNING



Risk of Explosion. Disconnect, tag and lock out power source, then release all pressure from the system before attempting to install, service, relocate or perform any maintenance.

NOTICE

Unit Care and Maintenance. Damage to the motor from improper electrical voltage or connection will void the warranty.

GROUNDING

This product must be grounded. Install permanent wiring from the electrical source to the pressure switch with a ground conductor connected to the grounding screw on the pressure switch. A properly sized cord with a ground conductor and plug may also be installed by the user.

INSTALLATION INSTRUCTIONS

WIRING

Local electrical wiring codes differ from area to area. Source wiring and protector must be rated for at least the amperage and voltage indicated on the motor nameplate and meet all electrical codes for this minimum. Use a slow blow fuse type T or a 240 Volt double pole circuit breaker.

MINIMUM WIRE SIZES (must meet all codes)

Up to 75 ft. long

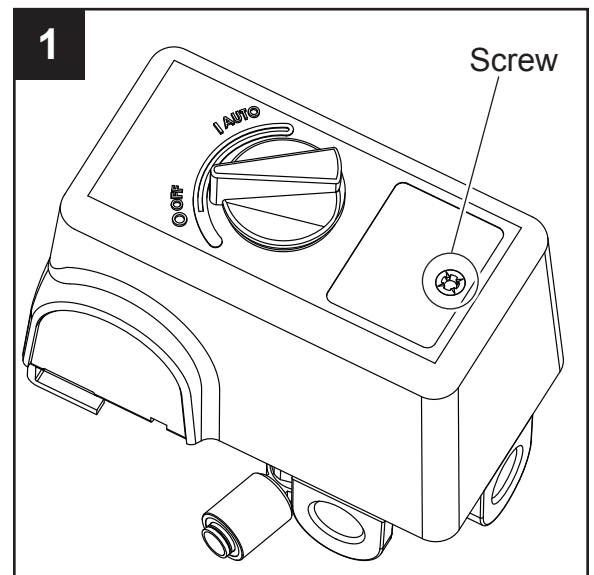
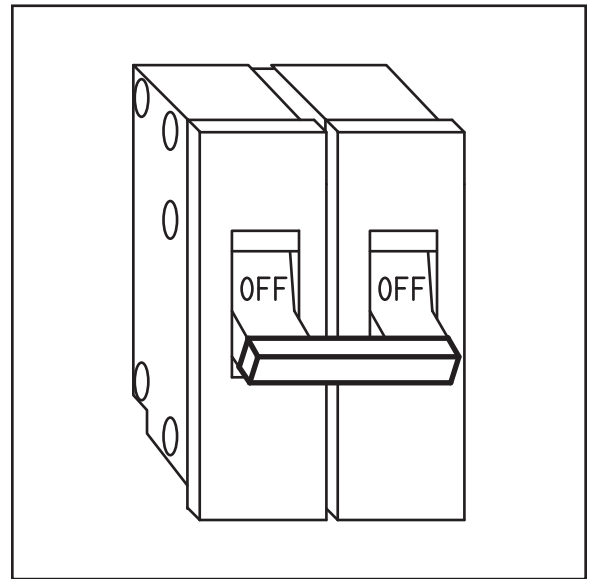
10 AWG

1. Remove the pressure switch cover by loosening the screw (see Figure 1). Use a Phillips screwdriver (not included). Pressure switch styles may vary.

⚠ WARNING

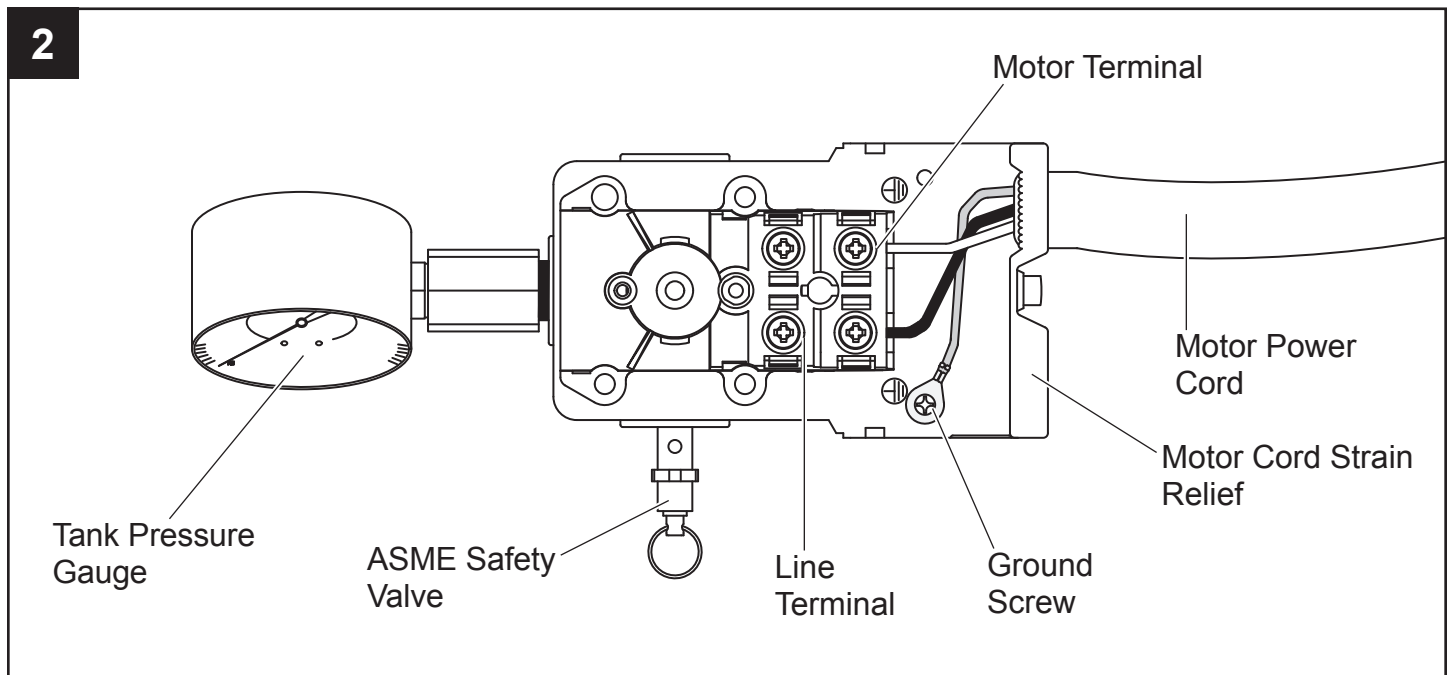


Risk of Shock. All wiring and electrical connections must be performed by a qualified electrician familiar with industrial motor controls. Installations must be in accordance with local and national codes.



INSTALLATION INSTRUCTIONS

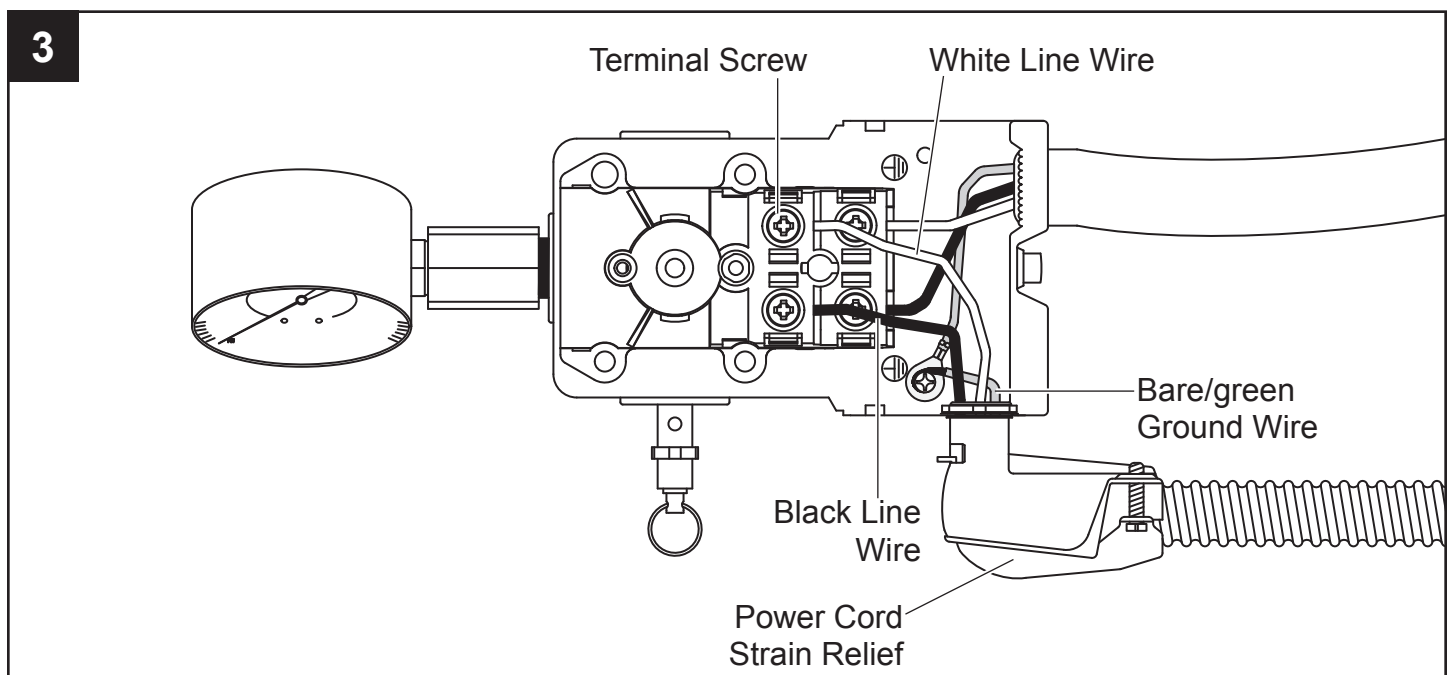
2. Familiarize yourself with the pressure switch once cover is removed.



3. Remove ground screw. Install strain relief on pressure switch. **DO NOT** tighten strain relief on power cord until wiring is complete. Insert the bare wires (black, white, bare/green) through the strain relief.

Attach bare/green ground wire first to ground screw on pressure switch body.

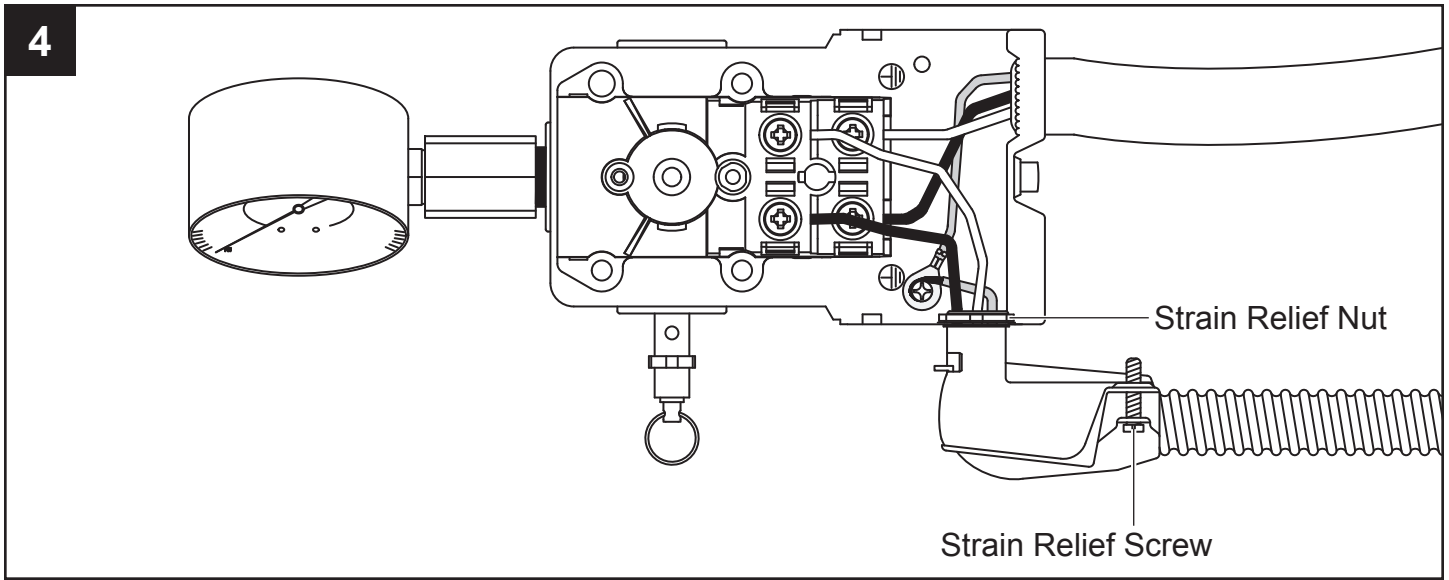
Look for the "Line" markings on pressure switch. Install Line wires and tighten terminal screws.



INSTALLATION INSTRUCTIONS

4. Tighten strain relief nut. Place a flathead screwdriver (not included) into raised notch and tap screwdriver with hammer (not included) until tight.

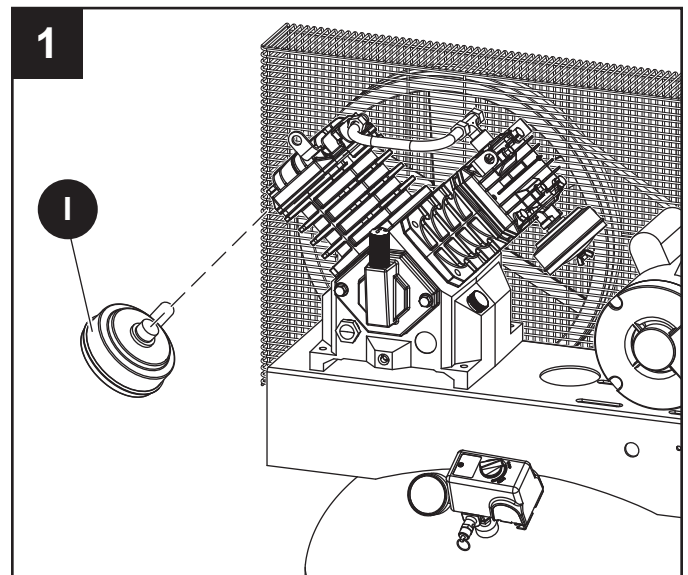
Tighten strain relief screws to hold power cord securely. Replace the pressure switch cover (knob must be in the same position as when removed to sit correctly in place). Tighten the pressure switch screw with Phillips screwdriver. Check that switch is in the **OFF** position. Follow break-in procedure starting on page 14.



ASSEMBLY INSTRUCTIONS

FILTER

Install air filters (I) on pump. Filter styles may vary.



ASSEMBLY INSTRUCTIONS

LUBRICATION

CAUTION

Inspect Before Use. Check for proper oil level before operating!

Remove cap on pump. Check oil level; some models are shipped with oil in the pump. See specification label on compressor pump for the proper oil capacity and oil type.

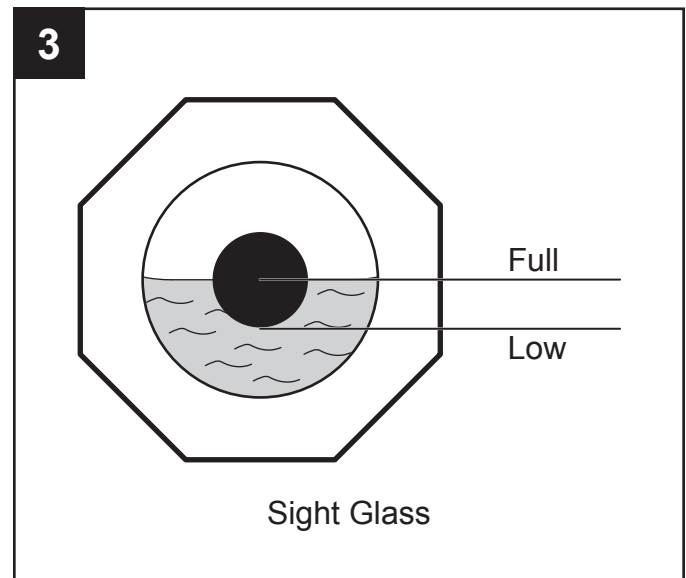
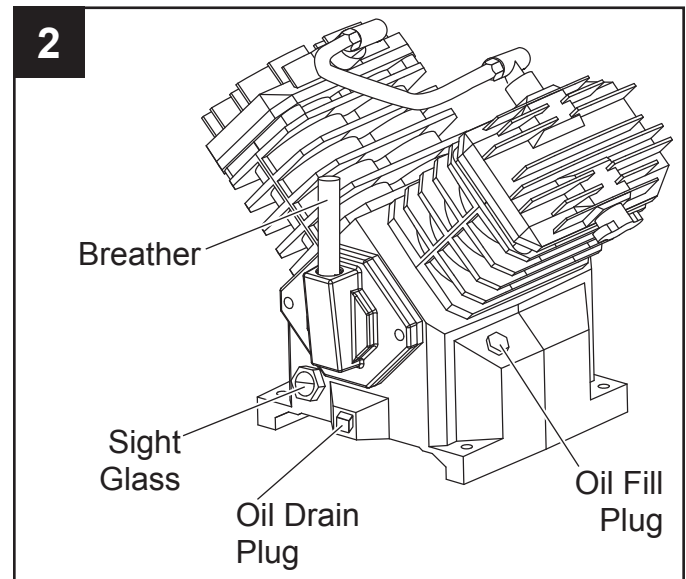
OIL INFORMATION

Kobalt Air Compressor Oil	SKU 221008
Kobalt Synthetic Blend Oil	SKU 221009
Mobil 1® synthetic 10W30	
Oil Capacity	32 ounces

Do not use regular automotive oil. Additives in regular motor oil can cause valve deposits and reduce pump life.

For maximum pump life, drain and replace oil after the first hour of run time.

This pump has an oil sight glass as shown in Figure 2. Oil level can be monitored and maintained as shown in Figure 3.



PIPING

⚠ WARNING

Risk of Personal Injury. Never use plastic (PVC) pipe for compressed air. Serious injury or death could result.

Any tube, pipe, or hose used must have a pressure rating higher than 175 PSI. Minimum recommended pipe size is 3/4 in. Larger diameter pipe is always better.

OPERATING INSTRUCTIONS

START-UP/BREAK-IN PROCEDURE

⚠ WARNING

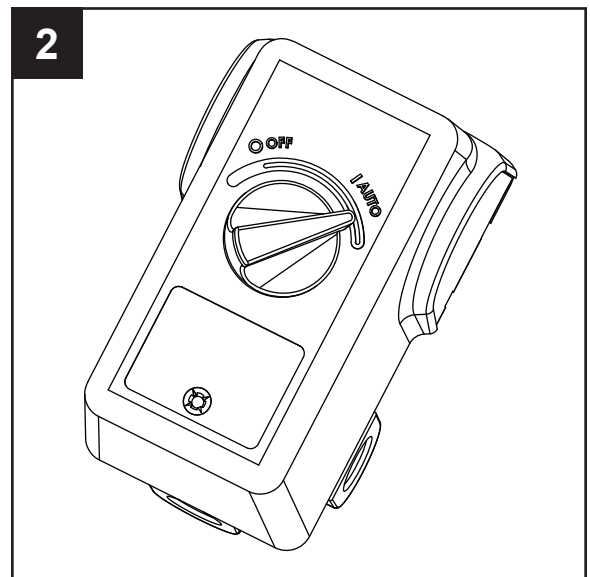
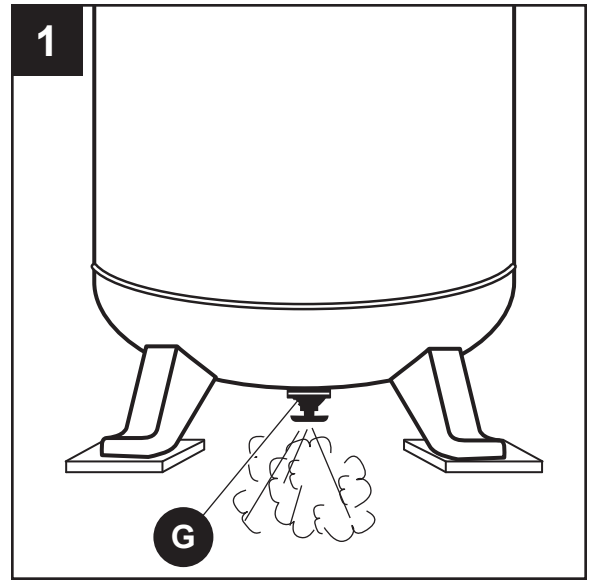
Risk of Personal Injury. Do not attach air tools to open end of the hose until start-up is completed and the unit checks okay.

1. Return power to unit from main.
2. Check oil level per the Lubrication Section of this manual.
3. Open the bottom drain valve (G) (see Figure 1).
Turn outlet valve to open air flow.

4. Move pressure switch to the **AUTO** position to run the unit (see Figure 2).
5. Run the unit for thirty (30) minutes at zero (0) PSI (under no load) to break in pump parts.
6. Move the pressure switch lever or knob to **OFF** and turn tank drain valve to shut off air flow. The compressor is now ready for use.
7. Change oil after first fifty (50) hours of operation. Perform oil changes every three (3) months.

⚠ WARNING

Risk of Personal Injury. Never disconnect threaded joints with pressure in tank!



OPERATING INSTRUCTIONS

ON/OFF CYCLING OF COMPRESSOR

⚠ WARNING

Risk of Bursting. Drain tank every day to prevent corrosion and possible injury due to tank damage. For optimal performance of tank drain, tank pressure should be between 10 - 40 PSI. Do not operate drain with more than 40 PSI in tank or drain valve may be damaged. Drain tank of moisture daily using the drain valve in the side of the tank or at the bottom of the tank.

In the **AUTO** position, the compressor pumps air into the tank. When a shut-off (preset “cut-out”) pressure is reached, the compressor automatically shuts off.

If the compressor is left in the **AUTO** position and air is depleted from the tank by use of a tire chuck, tool, etc., the compressor will restart automatically at its preset “cut-in” pressure. When a tool is being used continuously, the compressor will cycle on and off automatically.

In the **OFF** position, the compressor will not operate.

Drain Tank. Disconnect, tag and lock out power source; release pressure. Drain moisture from tank by opening drain valve underneath or on side of tank (See Figure 1).

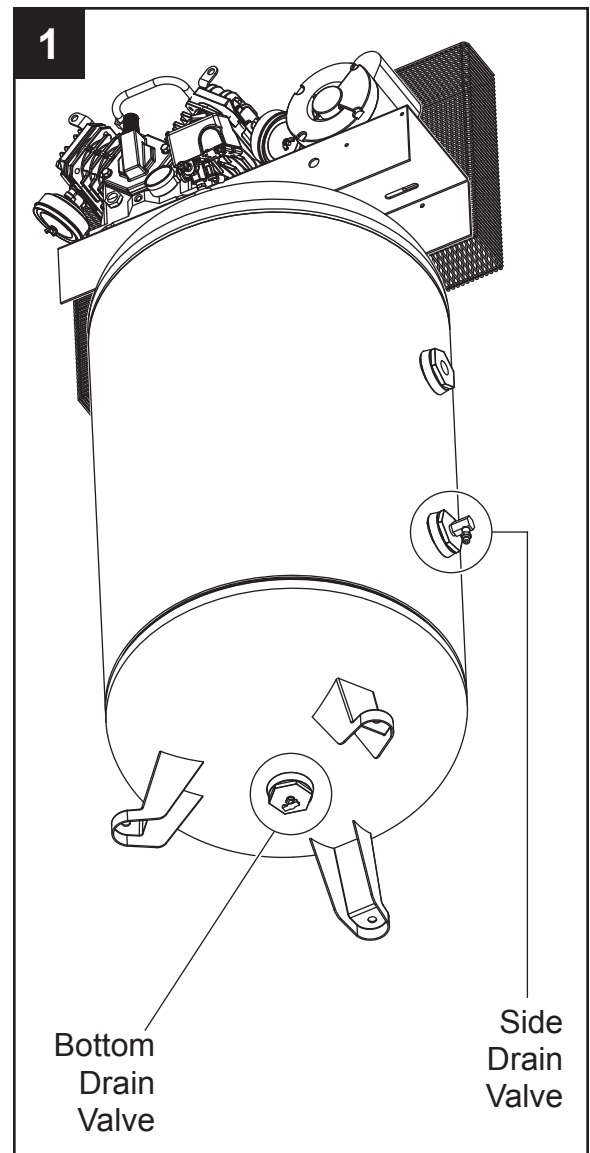
MOISTURE IN COMPRESSED AIR

Moisture in compressed air will form into droplets as it comes from an air compressor pump. When humidity is high or when a compressor is in continuous use for an extended period of time, this moisture will collect in the tank. When using a paint spray or sandblast gun, this water will be carried from the tank through the hose, and out of the gun as droplets mixed with the spray material.

IMPORTANT: This condensation will cause water spots in a paint job, especially when spraying other than water based paints. If sandblasting, it will cause the sand to cake and clog the gun, rendering it ineffective. A filter in the air line, located as near to the gun as possible, will help eliminate this moisture.

NOTICE

Unit Care and Maintenance. Drain liquid from tank daily.



⚠ WARNING



Risk of Explosion. Disconnect, tag and lock out power source, then release all pressure from the system before attempting to install, service, relocate or perform any maintenance.

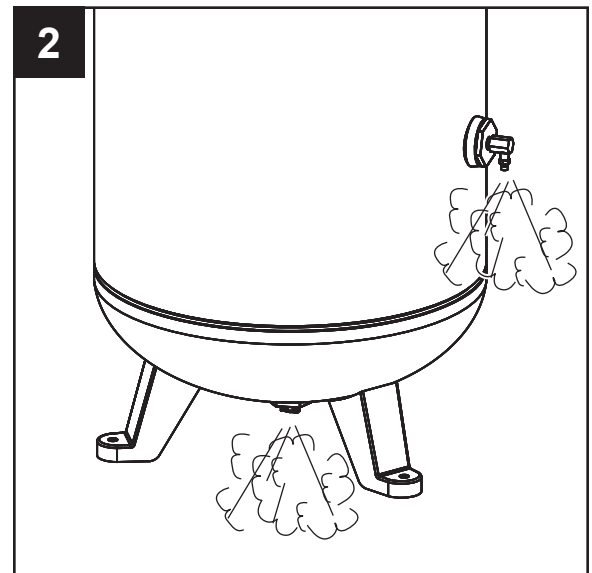
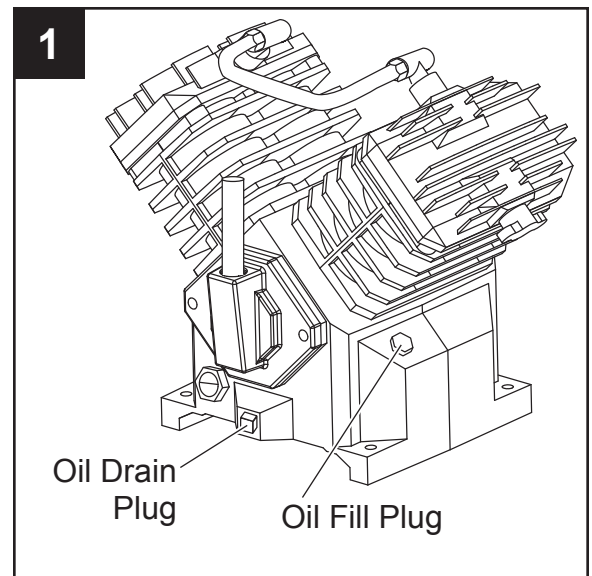
NOTICE

Unit Care and Maintenance. Drain liquid from tank daily.

All repairs should be performed by an authorized service representative.

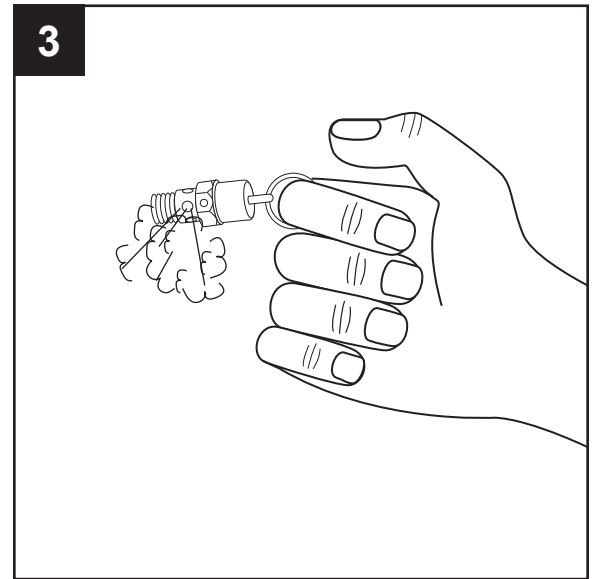
For efficient operation, perform the following maintenance.

1. Disconnect, tag and lock out power source; clean debris from motor, flywheel, tank, air lines and pump cooling fins.
2. Maintain proper oil level. Refer to Lubrication section for details.
3. Change oil.
 - a. Allow compressor to run and warm up oil. Disconnect, tag and lock out power source.
 - b. Position a pan under pump.
 - c. Remove oil drain plug (See Figure 1). Allow oil to collect in pan.
 - d. Replace drain plug, fill pump to full level (See Figure 1). See Lubrication section of this manual.
4. Drain Tank. Disconnect, tag and lock out power source; release pressure. Drain moisture from tank by opening drain valve underneath tank or on side of tank (See Figure 2).
5. Check air filter to be sure it is clean. Replace filter if filter is dirty.



CARE AND MAINTENANCE

6. Check the safety valve by performing the following steps:
 - a. Restore power to unit; turn pressure switch to the **AUTO** position. Run until unit reaches 90 PSI. Turn pressure switch to **OFF** position.
 - b. Wearing safety glasses and hearing protection, pull the ring on the safety valve to release pressure from compressor tank. Protect yourself from fast-moving air being released; do not allow fast-moving air to be directed toward your face (See Figure 3).
 - c. The safety valve should automatically close at approximately 40-50 PSI. If the safety valve does not allow air to be released when you pull on the ring, or if it does not close automatically, it **MUST** be replaced.
7. Check belt for signs of excessive wear. If belt shows signs of wear, replace it. Check belt for proper tension/alignment.




TECHNICAL SERVICE

For information regarding the operation or repair of this product, please call 1-888-3KOBALT (1-888-356-2258).

MAINTENANCE SCHEDULE				
OPERATION	DAILY	WEEKLY	MONTHLY	3 MONTHS
CHECK OIL LEVEL	●			
DRAIN TANK	●			
CHECK AIR FILTER		●		
CHECK SAFETY VALVE		●		
CLEAN UNIT			●	
CHECK BELT TIGHTNESS			●	
CHANGE OIL*				●

* Change oil after first fifty (50) hours of operation then perform oil changes every three (3) months.

TROUBLESHOOTING

PROBLEM	POSSIBLE CAUSE	CORRECTIVE ACTION
Low discharge pressure	<ol style="list-style-type: none"> 1. Air demand exceeds pump capacity 2. Restricted air intake 3. Air leaks (fittings, tubing on compressor, or plumbing outside of system) 4. Blown gaskets 5. Leaking or damaged valves 	<ol style="list-style-type: none"> 1. Reduce air demand or use a compressor with more capacity. 2. Clean or replace the air filter element. 3. Listen for escaping air. Apply soap solution to all fittings and connections. Bubbles will appear at points of leakage. Tighten or replace leaking fittings or connections. Use pipe thread sealant. 4. Replace any gaskets proven faulty on inspection. 5. Remove head and inspect for valve breakage, misaligned valves, damaged valve seats, etc. Replace defective parts and reassemble. <div style="border: 1px solid black; padding: 5px; margin-top: 10px;"> <p style="text-align: center; font-weight: bold; font-size: 1.2em;">CAUTION</p> <p>Unit Care and Maintenance. Install a new head gasket each time the head is removed.</p> </div>
Excessive noise (knocking)	<ol style="list-style-type: none"> 1. Loose motor pulley or flywheel 2. Loose fasteners on pump or motor 3. Lack of oil in crankcase 4. Worn connecting rod 5. Worn piston pin bores 6. Piston hitting the valve plate 7. Noisy check valve in compressor system 	<ol style="list-style-type: none"> 1. Tighten pulley/flywheel clamp bolts and set-screws. 2. Tighten fasteners. 3. Check for proper oil level; if low, check for possible damage to bearings. Dirty oil can cause excessive wear. 4. Replace connecting rod. Maintain oil level and change oil more frequently. 5. Remove piston assemblies from the compressor and inspect for excess wear. Replace excessively worn piston pin or pistons, as required. Maintain oil level and change oil more frequently. 6. Remove the compressor head and valve plate and inspect for carbon deposits or other foreign matter on top of piston. Replace head and valve plate using new gasket. See Lubrication section for recommended oil. 7. Replace check valve. <div style="border: 1px solid black; padding: 5px; margin-top: 10px;"> <p style="text-align: center; font-weight: bold; font-size: 1.2em;">⚠ DANGER</p> <div style="display: flex; align-items: center;">  <p>Risk of Explosion. Do not disassemble check valve with air pressure in tank.</p> </div> </div>

TROUBLESHOOTING



PROBLEM	POSSIBLE CAUSE	CORRECTIVE ACTION
<p>Large quantity of oil in the discharge air</p> <p>NOTE: In an oil lubricated compressor there will always be a small amount of oil in the air stream.</p>	<ol style="list-style-type: none"> 1. Worn piston rings 2. Compressor air intake restricted 3. Excessive oil in compressor 4. Wrong oil viscosity 	<ol style="list-style-type: none"> 1. Replace with new rings. Maintain oil level and change oil more frequently. 2. Clean or replace filter. Check for other restrictions in the intake system. 3. Drain down to full level. 4. Use Mobil 1® 10W-30 or full synthetic.
Water in discharge air/tank	Normal operation. The amount of water increases with humid weather	<ol style="list-style-type: none"> 1. Drain tank more often. At least daily. 2. Add a filter to reduce the amount of water in the air line.
Motor hums and runs slowly or not at all	<ol style="list-style-type: none"> 1. Low voltage 2. Too many devices on same circuit 3. Loose electrical connections 4. Malfunctioning pressure switch - contacts will not close 5. Malfunctioning check valve 6. Defective unloader valve on pressure switch 7. Defective motor capacitor(s) 8. Defective motor 	<ol style="list-style-type: none"> 1. Check incoming voltage. It should be approximately 230 volts. Motor will not run properly on 208 volts. Low voltage could be due to wires (from electrical source to compressor) being too small in diameter and / or too long. Have a qualified electrician check these conditions and make repairs as needed. 2. Limit the circuit to the use of compressor only. 3. Check all electrical connections. 4. Replace pressure switch. 5. Replace check valve. 6. Replace unloader valve. 7. Replace capacitor(s). 8. Replace motor.

DANGER



Risk of Explosion. Do not disassemble check valve with air pressure in tank.

TROUBLESHOOTING

PROBLEM	POSSIBLE CAUSE	CORRECTIVE ACTION
Reset mechanism cuts out repeatedly or circuit breaker trips repeatedly	<ol style="list-style-type: none"> 1. Lack of proper ventilation/room temperature too high 2. Too many devices on same circuit 3. Restricted air intake 4. Loose electrical connection 5. Pressure switch shut-off pressure set too high 6. Malfunctioning check valve 	<ol style="list-style-type: none"> 1. Move compressor to well-ventilated area. 2. Limit the circuit to the use of only the air compressor. 3. Clean or replace filter element. 4. Check all electrical connections. 5. Replace pressure switch. 6. Replace check valve. <div style="border: 1px solid black; padding: 5px; margin-top: 10px;"> <p style="text-align: center;">⚠ DANGER</p> <p> Risk of Explosion. Do not disassemble check valve with air pressure in tank.</p> </div> <ol style="list-style-type: none"> 7. Replace unloader valve. 8. Replace capacitor(s). 9. Replace motor.
Tank does not hold pressure when compressor is off and the shut off valve is closed	<ol style="list-style-type: none"> 1. Air leaks (fittings, tubing on compressor, or plumbing outside system) 2. Worn check valve 	<ol style="list-style-type: none"> 1. Check all connections with soap and water solution. Tighten; or remove and apply sealant to threads, then reassemble. 2. Replace check valve. <div style="border: 1px solid black; padding: 5px; margin-top: 10px;"> <p style="text-align: center;">⚠ DANGER</p> <p> Risk of Explosion. Do not disassemble check valve with air pressure in tank.</p> </div> <ol style="list-style-type: none"> 3. Replace tank. Never repair a damaged tank.
	<ol style="list-style-type: none"> 3. Check tank for cracks or pin holes 	

TROUBLESHOOTING

PROBLEM	POSSIBLE CAUSE	CORRECTIVE ACTION
Pressure switch continuously blows air out the unloader valve	Malfunctioning check valve	<p>Replace the check valve if the unloader valve on the pressure switch bleeds off constantly when unit shuts off.</p> <div style="border: 1px solid black; padding: 5px;"> <p style="text-align: center;">⚠ DANGER</p> <p>Risk of Explosion. Do not disassemble check valve with air pressure in tank.</p> </div>
Pressure switch does not release air when the unit shuts off	Malfunctioning unloader valve on pressure switch	<p>Replace the unloader valve if it does not release the pressure for a short period of time when the unit shuts off.</p> <div style="border: 1px solid black; padding: 5px;"> <p style="text-align: center;">⚠ DANGER</p> <p>Risk of Explosion. Do not disassemble unloader valve with air pressure in tank.</p> </div>
Excessive vibration	<ol style="list-style-type: none"> 1. Loose fasteners on pump or motor 2. Belt needs replaced 3. Belt alignment 	<ol style="list-style-type: none"> 1. Tighten fasteners. 2. Replace with correct size. 3. Align flywheel and pulley.

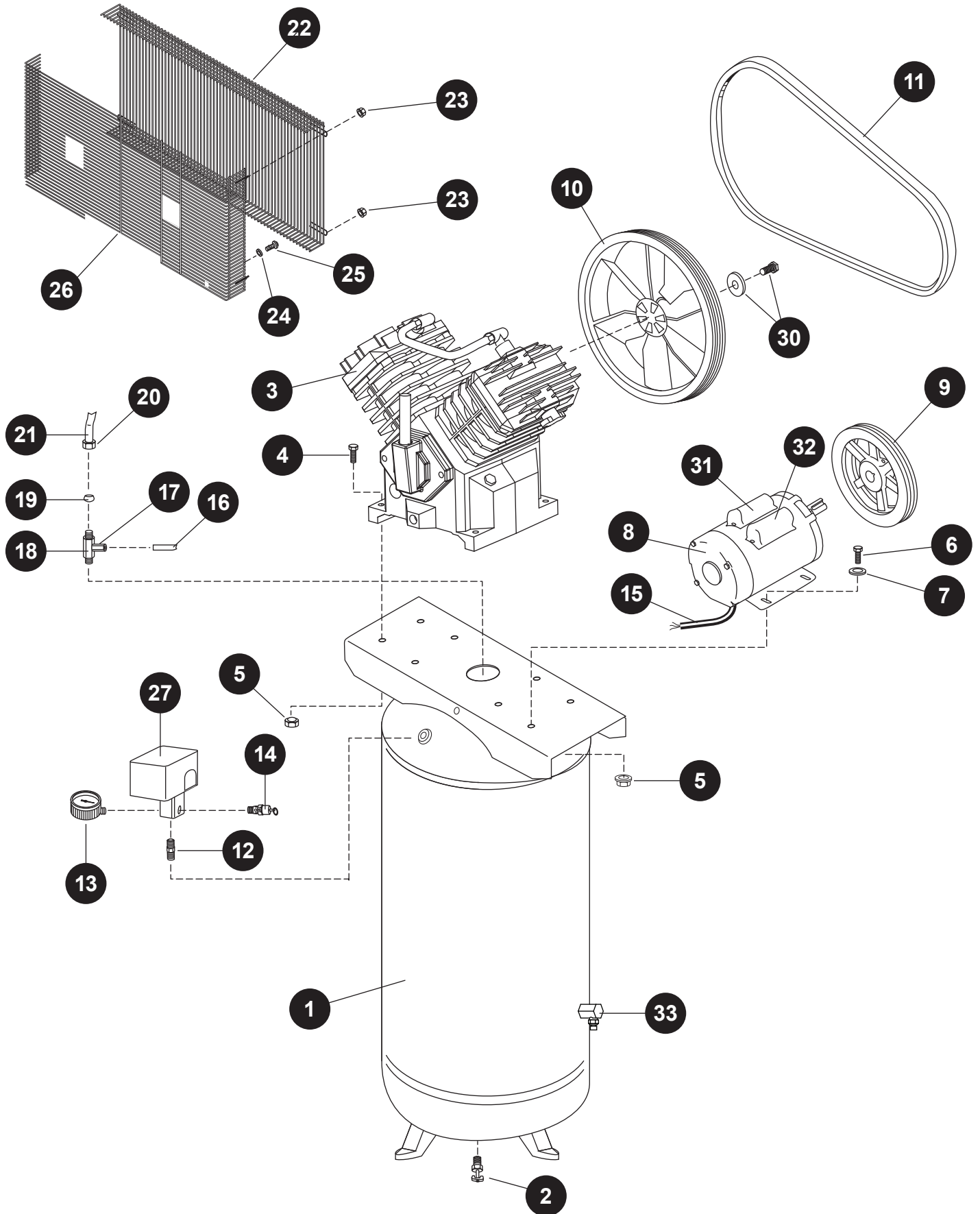
WARRANTY

1. DURATION: From the date of purchase by the original purchaser as follows: Three Years.
2. WHO GIVES THIS WARRANTY: Campbell Hausfeld/Scott Fetzer Company, 100 Production Drive, Harrison, Ohio, 45030.
3. WHO RECEIVES THIS WARRANTY (PURCHASER): The original purchaser (other than for purposes of resale) of the compressor.
4. WHAT PRODUCTS ARE COVERED BY THIS WARRANTY: This air compressor.
5. WHAT IS COVERED UNDER THIS WARRANTY: Parts and Labor to remedy substantial defects due to material and workmanship during the first year of ownership with the exceptions noted below. Parts only to remedy substantial defects due to material and workmanship during remaining term of coverage with exceptions noted below.
6. WHAT IS NOT COVERED UNDER THIS WARRANTY:
 - A. Implied warranties, including those of merchantability and FITNESS FOR A PARTICULAR PURPOSE ARE LIMITED FROM THE DATE OF ORIGINAL PURCHASE AS STATED IN THE DURATION. If the compressor is used for commercial, industrial or rental purposes, the warranty will apply for ninety (90) days from the date of purchase. Four cylinder single stage compressors and two-stage compressors are not limited to a ninety (90) day warranty when used in commercial or industrial applications. Some States do not allow limitations on how long an implied warranty lasts, so the above limitations may not apply to you
 - B. ANY INCIDENTAL, INDIRECT, OR CONSEQUENTIAL LOSS, DAMAGE, OR EXPENSE THAT MAY RESULT FROM ANY DEFECT, FAILURE, OR MALFUNCTION OF THE CAMPBELL HAUSFELD PRODUCT. Some States do not allow the exclusion or limitations of incidental or consequential damages, so the above limitation or exclusion may not apply to you.
 - C. Any failure that results from an accident, purchaser's abuse, neglect or failure to operate products in accordance with instructions provided in the owner's manual(s) supplied with compressor.
 - D. Pre-delivery service, e.g. assembly, oil or lubricants, and adjustment.
 - E. Items or service that is normally required to maintain the product, i.e. lubricants, filters and gaskets, etc.
 - F. Gasoline engines and components are expressly excluded from coverage under this limited warranty. The Purchaser must comply with the warranty given by the engine manufacturer which is supplied with the product
 - G. Additional items not covered under this warranty:
 1. Excluded items pertaining to All Compressors
 - a. Any component damaged in shipment or any failure caused by installing or operating unit under conditions not in accordance with installation and operation guidelines or damaged by contact with tools or surroundings.
 - b. Pump or valve failure caused by rain, excessive humidity, corrosive environments or other contaminants.
 - c. Cosmetic defects that do not interfere with compressor functionality.
 - d. Rusted tanks, including but not limited to rust due to improper drainage or corrosive environments.
 - e. The following components are considered normal wear items and are not covered after the first year of ownership. Electric motor, check valve, pressure switch, regulator, pressure gauges, hose, tubing, pipe, fittings and couplers, screws, nuts, hardware items, belts, pulleys, flywheel, air filter and housing, gaskets, seals, oil leaks, air leaks, oil consumption or usage, piston rings.
 - f. Tank drain valves.
 - g. Damage due to incorrect voltage or improper wiring.

WARRANTY

- h. Other items not listed but considered general wear parts.
 - i. Pressure switches, air governors, load/unload devices, throttle control devices and safety valves modified from factory settings.
 - j. Damage from inadequate filter maintenance.
 - k. Induction motors operated with electricity produced by a generator.
2. Excluded items specific to Lubricated Compressors:
- a. Pump wear or valve damage caused by using oil not specified.
 - b. Pump wear or damage caused by any oil contamination.
 - c. Pump wear or damage caused by failure to follow proper oil maintenance guidelines, operation below proper oil level or operation without oil.
- H. Labor, service call, or transportation charges after the first year of ownership of stationary compressors. Stationary compressors are defined as not including a handle or wheels.
7. RESPONSIBILITIES OF WARRANTOR UNDER THIS WARRANTY: Repair or replace, at Warrantor's option, compressor or component which is defective, has malfunctioned and/or failed to conform within the duration of the specific warranty period.
8. RESPONSIBILITIES OF PURCHASER UNDER THIS WARRANTY:
- A. Provide dated proof of purchase and maintenance records.
 - B. Call customer service at 1-888-3KOBALT (1-888-356-2258) to obtain your warranty service options. Freight costs must be borne by the purchaser.
 - C. Use reasonable care in the operation and maintenance of the products as described in the owner's manual(s).
 - D. Repairs requiring overtime, weekend rates, or anything beyond the standard manufacturer warranty repair labor reimbursement rate.
 - E. Time required for any security checks, safety training, or similar for service personnel to gain access to facility.
 - F. Location of unit must have adequate clearance for service personnel to perform repairs and be easily accessible.
9. WHEN WARRANTOR WILL PERFORM REPAIR OR REPLACEMENT UNDER THIS WARRANTY: Repair or replacement will be scheduled and serviced according to the normal work flow at the servicing location, and depending on the availability of replacement parts.
- This Limited Warranty applies in the U.S., Canada and Mexico only and gives you specific legal rights. You may also have other rights which vary from state to state or country to country.

REPLACEMENT PARTS LIST

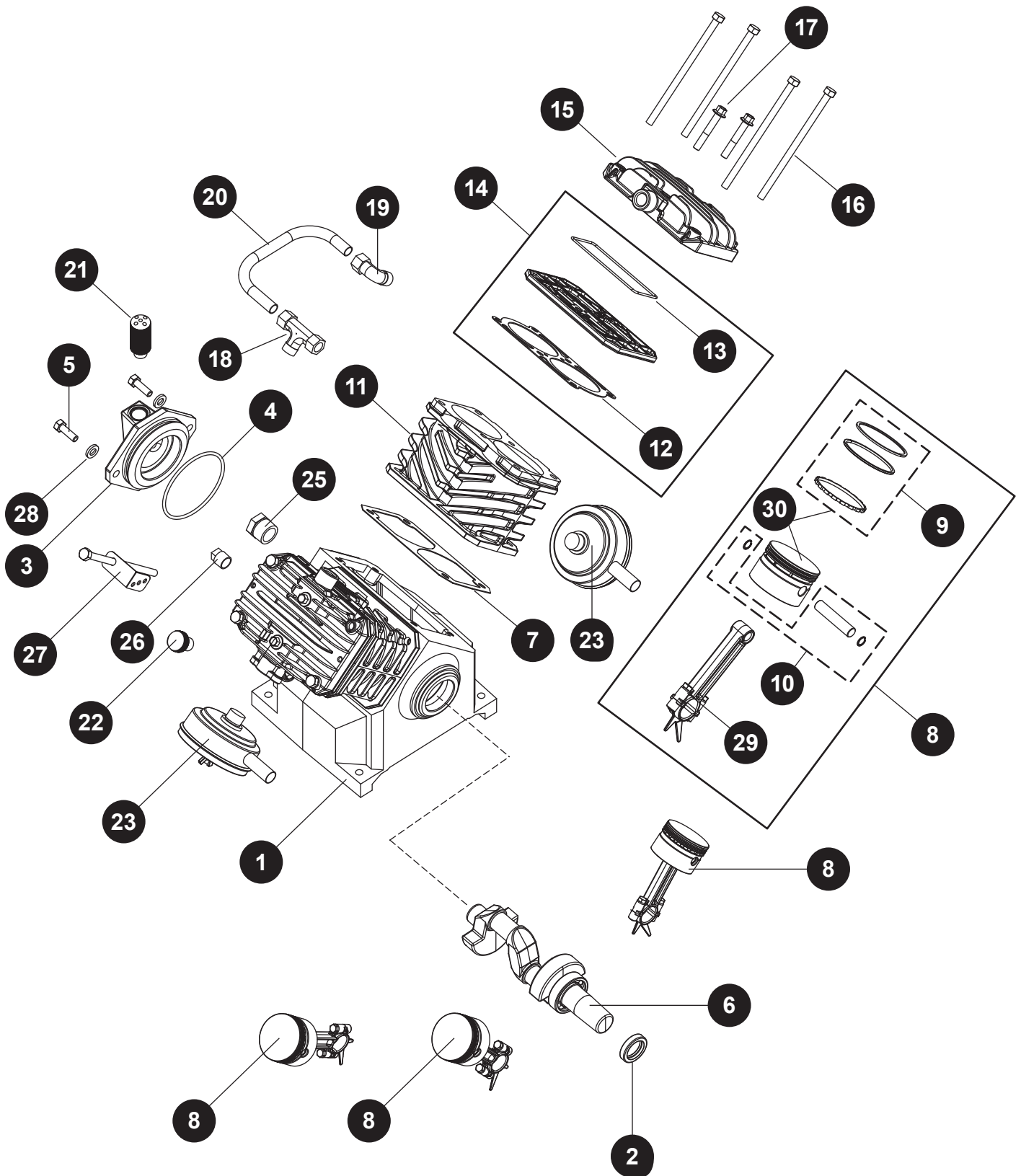


REPLACEMENT PARTS LIST

For replacement parts, call our customer service department at 1-888-3KOBALT (1-888-356-2258), 8:00 am - 8:00 pm, EST, Monday - Friday.

PART	DESCRIPTION	PART NUMBER	QTY.
1	Air tank	AR232401CG	1
2	Drain valve	ST127700AV	1
3	Air compressor pump with flywheel	TQ300000AV	1
4	5/16 in. - 18 x 1-1/2 in. Hex head bolt	*	4
5	5/16 in. - 18 Locknut	*	8
6	5/16 in. - 18 x 3/4 in. Hex head bolt	*	4
7	5/16 in. Washer	*	4
8	Electric motor	MC024700SJ	1
9	Motor pulley	PU017001AV	1
10	Flywheel	PU017100AV	1
11	Belt	BT013100AV	1
12	Pipe nipple	HF002401AV	1
13	Pressure gauge	GA031900AV	1
14	Safety valve	V-215109AV	1
15	Electric cord	EC013500AV	1
16	Unloader tube	ST117802AV	1
17	Straight push connect	ST081301AV	1
18	Check valve	CV223300AV	1
19	1/2 in. Compression sleeve	ST032900AV	1
20	1/2 in. Compression nut	ST033001AV	1
21	Discharge tube	TQ901600AP	1
22	Front beltguard	BG307500AV	1
23	10-24 Hex-flange nut	ST116201AV	5
24	5/16 in. Washer	ST011200AV	2
25	5/16 in. Self-tapping screw	ST016500AV	4
26	Back beltguard	BG307400AV	1
27	Pressure switch (with unloader valve)	CW219300AV	1
28	Pressure switch unloader valve (△)	CW210001AV	1
29	Pressure switch cover (△)	CW217800AV	1
30	Flywheel Fastener Kit	TQ901400AV	1
31	Capacitor - Start	MC507018AV	1
32	Capacitor - Run	MC506910AV	1
33	Easy Drain Assembly	D-140501AV	1
34	Warning decal (△)	DK747600AV	1
△	Not shown		
*	Standard hardware item		

REPLACEMENT PARTS LIST



REPLACEMENT PARTS LIST

For replacement parts, call our customer service department at 1-888-3KOBALT (1-888-356-2258), 8:00 am - 8:00 pm, EST, Monday - Friday.

PART	DESCRIPTION	PART NUMBER	QTY.
1	Crankcase	TQ010001AV	1
2	Oil Seal	ST120000AV	1
3	Bearing Cap	TQ010201AV	1
4	O-Ring	■	1
5	Hex Head Cap Screw M8 x 25 mm	*	2
6	Crankshaft and Bearing Assembly	TQ900201AJ	1
7	Crankcase Gasket	■	2
8	Connecting Rod / Piston Assembly Kit	TQ901500AV	4
9	Piston Ring Sets (two sets)	VT911200AV	2
10	Wrist Pin Kit [includes retaining rings]	TQ901800AV	4
11	Cylinder	VT040915AV	2
12	Cylinder Gasket	■	2
13	Molded O-Ring	■	2
14	Valve Plate Kit	VT491100AV	2
15	Cylinder Head	▲	2
16	Hex Head Cap Screw M8 x 150 mm	▲	8
17	Flange Head Screw	▲	4
18	Exhaust Tee Fitting	TQ901100AV	1
19	Exhaust Elbow Fitting	TQ901200AV	1
20	Exhaust Tube	TQ901300AV	1
21	Breather	VH901100AV	1
22	Oil Fill Plug	VH900800AV	1
23	Air Filter with Element	VH901700AV	2
24	Air Filter Element only (△)	VH901800AV	2
25	Sight Glass	VH901000AV	1
26	Pipe Plug 1/4 in. NPT	ST072915AV	1
27	Belt Guard Bracket	--	1
28	Brass Washer	ST070925AV	2
29	Connecting Rod	TQ010901AJ	4
30	Piston with Rings Kit	TQ901700AV	4

REPLACEMENT PARTS KITS

▲	Cylinder Head and Fasteners Kit	TQ900800AJ
■	Gasket Kit	TQ901001AJ
△	Not shown	
*	Standard hardware item	
--	Not available	

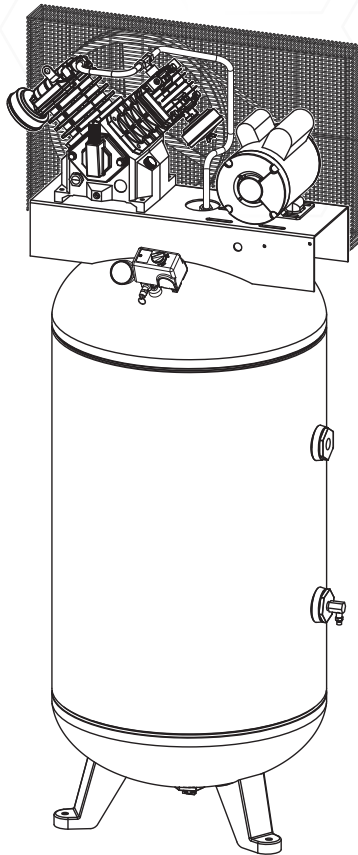
Printed in U.S.A.

KOBALT® and the K Design® are registered trademarks of LF, LLC. All Rights Reserved.

kobalttools.com  **KOBALT**



NEXT GENERATION OF TOUGH TOOLS™



ARTICLE #0048365

COMPRESSEUR D'AIR FIXE DE 303 LITRES

MODÈLE #TQ3126

Kobalt® et le motif K&Design® sont des marques de commerce déposées de LF, LLC. Tous droits réservés.

JOIGNEZ VOTRE REÇU ICI

Numéro de série _____

Date d'achat _____



Des questions, des problèmes, des pièces manquantes? Avant de retourner l'article au détaillant, appelez notre service à la clientèle au 1 888 3KOBALT (1 888 356-2258), entre 8 h et 20 h (HNE), du lundi au vendredi.

TABLE DES MATIÈRES

Consignes de sécurité	31
Contenu de l'emballage	34
Préparation	35
Instructions pour l'installation	36
Instructions pour l'assemblage	40
Mode d'emploi	42
Entretien	44
Dépannage	46
Garantie	50
Liste des pièces de rechange	52

CARACTÉRISTIQUES DU PRODUIT

COMPOSANTE	CARACTÉRISTIQUES
Modèle	TQ3126
HP	5
Nombre de cylindres	4
Débit d'air à 90 lb/po ²	16 pi ³ /min
Tension	230 volts/19 A
Pression maximale	155 lb/po ²

COMPOSANTE	CARACTÉRISTIQUES
Volume maximal d'huile	946 ml
Taille du raccord de sortie du réservoir	NPT de 3/4 po
Longueur	78,74 cm
Largeur	106,68 cm
Hauteur	203,20 cm
Poids	185,97 kg



CONSIGNES DE SÉCURITÉ

Assurez-vous de lire et de comprendre l'intégralité de ce manuel avant de tenter d'assembler, d'installer ou d'utiliser le produit. Si vous avez des questions concernant ce produit, veuillez appeler notre service à la clientèle au 1 888 3KOBALT (1 888 356-2258), entre 8 h et 20 h (HNE), du lundi au vendredi.

Ce manuel contient des renseignements qu'il est important de lire et de comprendre.

Ces renseignements sont fournis pour votre SÉCURITÉ et afin de PRÉVENIR LES PROBLÈMES LIÉS AU MATÉRIEL. Afin de trouver ces renseignements, repérez les symboles suivants.

DANGER

DANGER indique un risque imminent qui entraînera la mort ou des blessures graves s'il n'est pas prévenu.

AVERTISSEMENT

Indique des conditions qui représentent un risque d'accident pouvant entraîner la mort ou des blessures graves si elles ne sont pas prévenues.

MISE EN GARDE

MISE EN GARDE indique un risque potentiel qui, s'il n'est pas éliminé, POURRAIT provoquer des blessures mineures ou moyennement graves.

REMARQUE

Cette mention désigne des indications importantes qui, si elles ne sont pas respectées, pourraient se traduire par des dommages à l'équipement.



CONSIGNES DE SÉCURITÉ

PROPOSITION 65 DE LA CALIFORNIE

AVERTISSEMENT

Manipulez avec soin. Ce produit ou son cordon d'alimentation peuvent contenir des produits chimiques reconnus par l'État de la Californie comme étant la cause de cancers, d'anomalies congénitales et d'autres problèmes liés aux fonctions reproductrices. Lavez-vous les mains après l'avoir manipulé.

AVERTISSEMENT



Portez des lunettes de sécurité et un masque antipoussières. Vous pouvez produire de la poussière lorsque vous coupez, poncez, percez ou meulez des matériaux comme le bois, la peinture, le métal, le béton, le ciment ou d'autres matériaux de maçonnerie. Cette poussière peut contenir des produits chimiques reconnus comme étant la cause de cancers, d'anomalies congénitales et d'autres problèmes liés aux fonctions reproductrices. Portez l'équipement de protection nécessaire.

CONSIGNES DE SÉCURITÉ GÉNÉRALES

Puisque le compresseur à air et les autres composants (pompes de matériaux, pistolets de pulvérisation, filtres, lubrificateurs, tuyaux, etc.) utilisés forment un système de pompage à haute pression, les consignes de sécurité suivantes doivent être observées en tout temps :

1. Lisez soigneusement tous les guides liés à ce produit. Familiarisez-vous avec les commandes et l'utilisation adéquate de l'appareil.
2. Veuillez suivre tous les codes de sécurité et d'électricité de votre région, ainsi que le Code canadien de l'électricité et la Loi sur la santé et la sécurité du travail.
3. Seules les personnes connaissant bien ces règles pour une utilisation sécuritaire devraient être autorisées à utiliser le compresseur.



CONSIGNES DE SÉCURITÉ

CONSIGNES GÉNÉRALES DE SÉCURITÉ (suite)

4. Gardez les visiteurs à l'écart et ne laissez JAMAIS les enfants s'approcher de la zone de travail.
5. Portez des lunettes de sécurité et des protecteurs d'oreilles lorsque vous utilisez cet appareil.
6. Ne vous tenez pas sur l'appareil, et ne l'utilisez pas comme appui.
7. Avant chaque utilisation, vérifiez si le système à air comprimé et ses composantes électriques sont endommagés ou présentent des signes de détérioration ou de faiblesse ou des fuites. Réparez ou remplacez tout élément défectueux avant utilisation.
8. Vérifiez fréquemment si toutes les fixations sont bien serrées.
9. Ne portez pas de vêtements amples ou des bijoux qui pourraient s'accrocher dans les pièces en mouvement.
10. Gardez les doigts loin d'un compresseur en marche; les pièces en mouvement rapide et chaudes peuvent causer des blessures et des brûlures.
11. Si l'appareil se met à vibrer de façon anormale, ARRÊTEZ le moteur et cherchez immédiatement la cause de la vibration. La vibration indique généralement qu'il y a un problème.
12. Afin de réduire les risques d'incendie, ne laissez pas d'huile, de solvant ou de graisse excessive sur la paroi extérieure du moteur.
13. Ne tentez jamais de régler la soupape de sûreté ASME. Laissez la soupape de sûreté libre de peinture et d'autres résidus accumulés.
14. Les réservoirs tendent à rouiller avec l'accumulation d'humidité, ce qui les affaiblit. Videz le réservoir régulièrement et vérifiez périodiquement l'existence de conditions dangereuses, comme la formation de rouille et la corrosion.
15. L'air qui se déplace rapidement soulèvera des poussières et des débris qui peuvent représenter un danger. Laissez l'air sortir lentement lorsque vous éliminez l'humidité ou que vous soulagez la pression du système de compresseur.

DANGER

Risque de blessure. Ce compresseur NE permet PAS de produire de l'air de qualité respirable, et il NE doit PAS être utilisé à cette fin. Si vous devez produire de l'air de qualité respirable, vous devez raccorder le compresseur à un équipement de sécurité et d'alarme approprié. Cet équipement est nécessaire pour filtrer et purifier l'air de façon appropriée afin de répondre aux exigences minimales pour la qualité de l'air de classe D, selon des critères établis par la norme Air Specification G-7.1 1 de la Compressed Gas Association, Inc., la norme 29 CFR 1910.134 de l'OSHA, ou l'Association canadienne de normalisation (CSA).

AVIS DE NON-RESPONSABILITÉ DES GARANTIES

Si le compresseur est utilisé aux fins de production d'air respirable sans utilisation simultanée d'équipement de sécurité et d'alarme approprié, toutes les garanties sont annulées et le fabricant décline toute responsabilité quant aux pertes, aux blessures ou dommages consécutifs.

DANGER



Risque d'explosion. Ne tentez jamais de réparer ni de modifier un réservoir! La soudure, le perçage ou toute autre modification fragiliseront le réservoir, ce qui entraînera des dommages attribuables à une rupture ou à une explosion. Remplacez toujours les réservoirs fissurés, usés ou endommagés.

AVERTISSEMENT



Risque d'incendie. Les moteurs, appareils électriques et contrôles peuvent générer des arcs électriques qui enflammeront un gaz ou une vapeur inflammable. Ne faites jamais fonctionner l'appareil à proximité d'un gaz ou d'une vapeur inflammable. N'entrez jamais de liquides ou de gaz inflammables à proximité du compresseur.

CONSIGNES DE SÉCURITÉ

CONSIGNES GÉNÉRALES DE SÉCURITÉ (suite)

AVERTISSEMENT

Risques de blessures ou de dommages à l'appareil. N'installez jamais de vanne d'arrêt entre le compresseur et le réservoir.

AVERTISSEMENT

Risque d'explosion. N'utilisez jamais des tuyaux de plastique (PVC) pour faire circuler de l'air comprimé. Le non-respect de cette consigne peut entraîner des blessures graves ou la mort.

AVERTISSEMENT

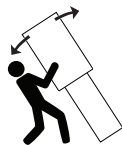


Risque de blessure. Ne faites jamais fonctionner le compresseur sans garde-courroie. Cet appareil peut se mettre en marche automatiquement. Les pièces en mouvement peuvent causer des blessures ou des dommages.

AVERTISSEMENT

Risque d'explosion. Une soupape de sûreté conforme au code ASME avec un réglage ne dépassant pas la pression maximale de service autorisée (PMSA) DOIT être installée sur le réservoir de ce compresseur. La soupape de sûreté ASME doit avoir une pression et un débit nominaux suffisants pour empêcher l'éclatement du contenu sous pression.

AVERTISSEMENT



Risque de blessure. Ce compresseur est extrêmement lourd. L'appareil doit être fixé au plancher à l'aide de boulons et de coussinets isolants avant utilisation afin d'éviter de l'endommager, ou encore de causer des blessures ou la mort.

MISE EN GARDE

Évitez d'utiliser une pression excessive. Voir la pression de fonctionnement maximale indiquée sur l'autocollant de spécifications du compresseur. Ne réglez pas le pressostat ou les soupapes de sûreté à une pression excédant la pression de fonctionnement maximale.

MISE EN GARDE



Risque de blessure. Les pièces du compresseur peuvent être chaudes même si l'appareil n'est plus en marche.

REMARQUE

Entretien. Évacuez tout liquide du réservoir chaque jour.

PRÉCAUTIONS POUR LA PULVÉRISATION

1. Ne fumez pas lorsque vous pulvérisez de la peinture, des insecticides ou d'autres substances inflammables.
2. Portez un masque facial ou un masque anti-vapeurs et pulvérisez vos produits dans un endroit bien aéré afin de prévenir les risques d'incendie et les dangers pour la santé.
3. Ne dirigez pas le jet de peinture ou d'un autre matériau pulvérisé vers le compresseur. Placez le compresseur aussi loin que possible de la zone de pulvérisation pour minimiser l'accumulation de résidus sur le compresseur.

CONSIGNES DE SÉCURITÉ

PRÉCAUTIONS POUR LA PULVÉRISATION (SUITE)

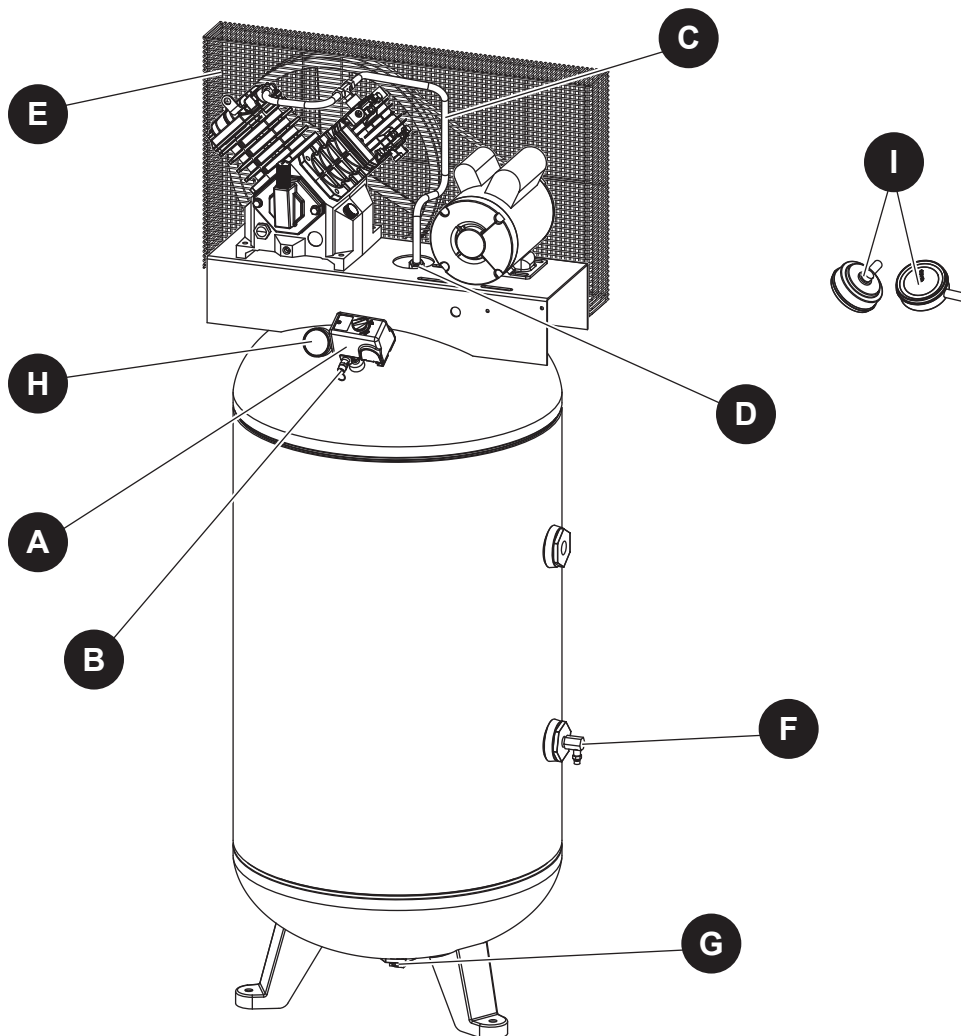
4. Lorsqu'un solvant ou un produit chimique toxique est utilisé pour la pulvérisation ou le nettoyage, suivez les instructions fournies par le fabricant du produit.

AVERTISSEMENT



Risque d'incendie. Ne pulvérisez pas de matières inflammables à proximité d'une flamme nue ou d'une source d'inflammation, y compris le compresseur.

CONTENU DE L'EMBALLAGE



CONTENU DE L'EMBALLAGE

PIÈCE	DESCRIPTION	QTÉ
A	Pressostat - INTERRUPTEUR AUTO/OFF - Dans la position d'arrêt AUTOMATIQUE (AUTO), le compresseur s'arrête automatiquement lorsque la pression dans le réservoir atteint la pression maximale pré réglée. L'utilisation de l'air contenu dans le réservoir fait descendre la pression. Lorsque la pression descend sous le niveau pré réglé, le pressostat remet automatiquement le moteur en marche. Lorsque l'interrupteur est en position OFF, le compresseur ne fonctionne pas. Cet interrupteur doit se trouver à la position OFF lorsque vous branchez ou que vous débranchez le cordon d'alimentation. Lorsque le pressostat éteint le moteur, de l'air s'échappe de la soupape de décharge en émettant un son pendant un court moment. La pression d'air dans le tuyau d'évacuation s'en trouve diminuée, ce qui permet au compresseur de redémarrer plus facilement.	1
B	Soupape de sûreté ASME - Cette soupape évacue automatiquement de l'air lorsque la pression du réservoir dépasse le maximum pré réglé.	1
C	Tuyau d'évacuation - Ce tuyau transporte l'air comprimé de la pompe vers le clapet de non-retour. Ce tuyau devient très chaud pendant l'utilisation du compresseur. Pour éviter les risques de brûlures graves, n'y touchez jamais.	1
D	Clapet de non-retour - Clapet à sens unique qui permet l'entrée de l'air dans le réservoir mais qui l'empêche de ressortir vers la pompe du compresseur.	1
E	Garde-courroie - Recouvre la courroie, ainsi que la poulie et le volant du moteur.	1
F	Robinet de vidange latéral - Permet d'évacuer l'humidité du réservoir chaque jour afin de réduire les risques de corrosion.	1
G	Robinet de vidange inférieur - Permet d'évacuer l'humidité du réservoir chaque jour afin de réduire les risques de corrosion.	1
H	Manomètre du réservoir - Indique la pression d'air à l'intérieur du réservoir.	1
I	Filtre à air - Empêche les grosses particules dans l'air de s'introduire dans le compresseur.	2

PRÉPARATION

Avant de commencer l'assemblage ou l'installation du produit, assurez-vous d'avoir toutes les pièces. Comparez les pièces dans l'emballage avec la liste des pièces. S'il y a des pièces manquantes ou endommagées, ne tentez pas d'assembler ni d'utiliser le produit. Pour obtenir de l'aide ou des pièces de rechange, communiquez avec le service à la clientèle.

AVERTISSEMENT

Risque de blessure. N'utilisez jamais l'appareil s'il a été endommagé pendant la manutention, le transport ou l'utilisation. Un appareil endommagé pourrait éclater et, par conséquent, causer des blessures ou des dommages matériels.

Temps d'assemblage et d'installation approximatif : 120 minutes

PRÉPARATION

Outils nécessaires pour l'assemblage et l'installation (non inclus) : lunettes de sécurité; gants de travail; douille de 9/16 po et clé à cliquet; ruban à mesurer; perceuse à percussion et forêt de maçonnerie; marteau; tournevis cruciforme; tournevis à tête plate; clé à tuyau; deux clés à molette; tournevis à douille, douille ou clé de 1/4 po, ou clé à molette; disjoncteur bipolaire 240 volts, 30 A; voltmètre; coussinets isolants; chevilles d'ancrage pour béton de 3/8 po x 5 po (vendues dans les quincailleries)

INSTRUCTIONS POUR L'INSTALLATION

INSTALLATION DE L'APPAREIL

⚠ AVERTISSEMENT

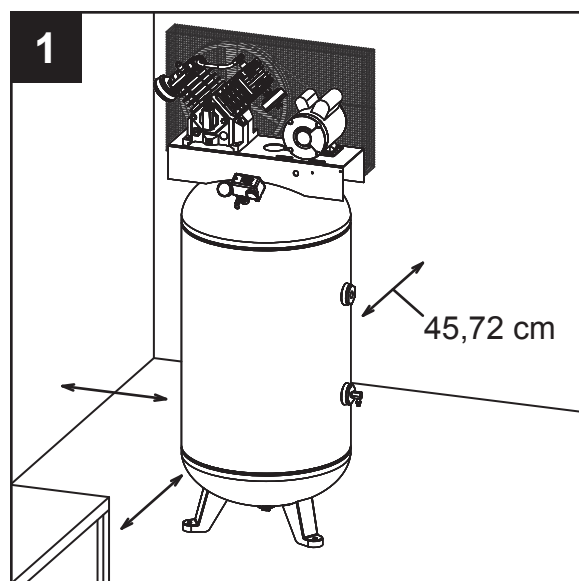
Risque de blessure. Ne soulevez ni ne déplacez l'appareil sans un équipement dont la charge nominale est appropriée. Assurez-vous que le compresseur est solidement fixé à l'appareil de levage utilisé. Ne soulevez pas le compresseur en le tenant par les tuyaux ou les refroidisseurs. N'utilisez pas le compresseur pour soulever d'autres appareils qui y sont fixés. N'utilisez pas le compresseur pour soulever d'autres éléments qui y seraient fixés.

REMARQUE

Ce compresseur n'est pas conçu pour être utilisé à l'extérieur.

Il est extrêmement important que le compresseur soit installé dans un endroit propre, bien aéré, et dont la température ne dépassera pas 37,78 °C. L'entrée d'air du compresseur doit se trouver loin de toute source de contamination ou de vapeur, et de tout endroit où l'on effectue des travaux de sablage ou de peinture par pulvérisation.

1. Déboulonnez l'appareil de la palette de manutention. Utilisez une clé à cliquet et une douille de 9/16 po. Retirez l'appareil de la palette. Deux personnes seront nécessaires : l'une pour décharger l'appareil de la palette, l'autre pour maintenir l'appareil à la verticale et l'empêcher de basculer. Déposez l'appareil à l'endroit où vous souhaitez l'installer (une distance de 45,72 cm doit le séparer de tout mur ou de toute surface).



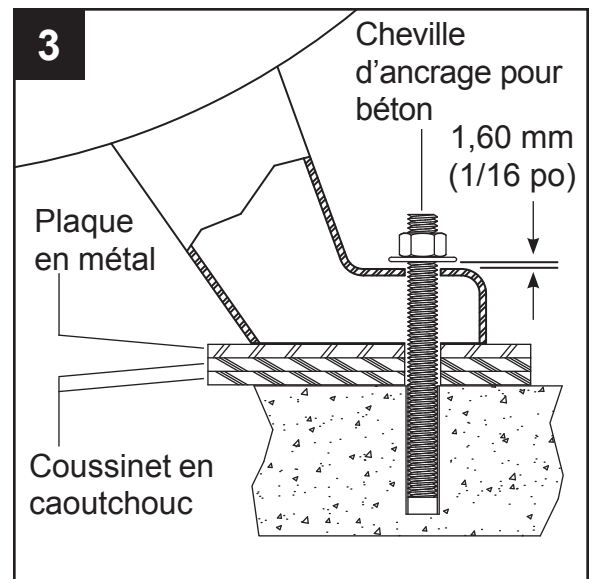
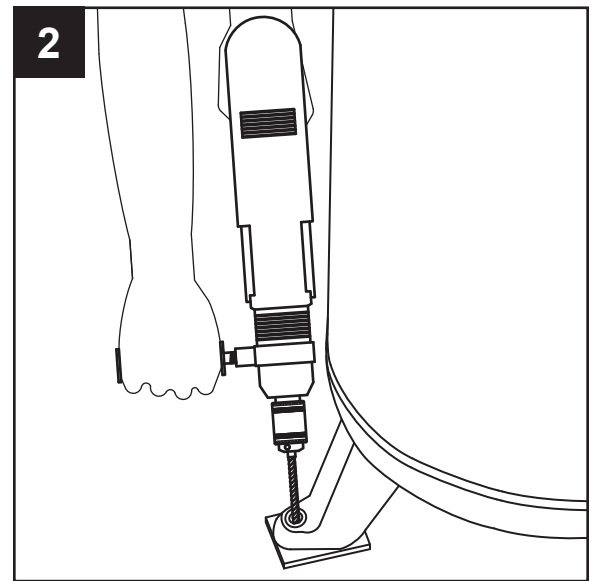
INSTRUCTIONS POUR L'INSTALLATION

2. Disposez un coussinet isolant (vendu séparément) prépercé sous chaque pied afin d'éviter les vibrations qui pourraient endommager l'appareil.

En utilisant comme guides les trous de fixation des pieds de l'appareil et les trous préperçés des coussinets isolants, percez des trous dans le béton à l'aide d'un foret de maçonnerie de 3/8 po. Les trous percés dans le béton doivent avoir une profondeur minimale de 12,70 cm.

3. Insérez les boulons de montage. Fixez l'appareil à l'aide des chevilles d'ancrage de 3/8 po x 5 po (non inclus). Insérez l'écrou et la rondelle sur le boulon. Vissez l'écrou sur le boulon jusqu'à ce que leurs surfaces supérieures soient à égalité. À l'aide d'un marteau, frappez le boulon jusqu'à ce que l'écrou et la rondelle aient atteint le pied du compresseur.

À l'aide d'une clé à cliquet et d'une douille de 9/16 po, serrez l'écrou jusqu'à ce que la cheville soit bien installée (reportez-vous aux instructions relatives au couple de serrage nécessaire pour le type de boulon utilisé). Desserrez l'écrou afin de laisser un jeu de 1,60 mm (1/16 po) qui permettra de soulager la tension pendant le fonctionnement de l'appareil.



INSTALLATION ÉLECTRIQUE

⚠ DANGER



Risque de choc électrique. Les moteurs qui ne sont pas correctement mis à la terre présentent des risques de chocs. Assurez-vous que l'équipement est correctement mis à la terre.

⚠ AVERTISSEMENT

Risques de blessures ou de dommages matériels. Un câblage inadéquat entraînera une surchauffe, un court-circuit et des dommages causés par le feu.

⚠ AVERTISSEMENT



Risque de choc électrique. Confiez le câblage à un électricien qualifié qui connaît les commandes des moteurs industriels. L'installation de l'appareil doit se faire conformément à tous les codes locaux et nationaux.

INSTRUCTIONS POUR L'INSTALLATION

INSTALLATION ÉLECTRIQUE (SUITE)

⚠ AVERTISSEMENT



Risque d'explosion. Débranchez l'appareil, verrouillez-le et placez-y une étiquette d'avertissement, puis libérez toute la pression de l'appareil avant d'essayer de l'installer, de le réparer, de le déplacer ou de l'entretenir.

REMARQUE

Entretien. Une tension ou un branchement électrique inadéquats causant des dommages au moteur annuleront la garantie.

MISE À LA TERRE

Cet appareil doit être mis à la terre. Installez un câblage électrique permanent entre la source d'alimentation et le pressostat, et fixez un conducteur de mise à la terre à la vis de mise à la terre du pressostat. L'utilisateur peut également fixer à l'appareil un cordon de calibre approprié muni d'une fiche et d'un conducteur de mise à la terre.

CÂBLAGE

Les codes locaux sur le câblage varient d'une région à l'autre. L'intensité et la tension du cordon d'alimentation et du dispositif de protection doivent avoir une capacité nominale équivalente ou supérieure aux valeurs indiquées sur la plaque signalétique du moteur et respecter toutes les normes en vigueur correspondantes. Utilisez un fusible à fusion lente de type T ou un disjoncteur bipolaire 240 volts.

DIMENSIONS MINIMALES DES FILS (doivent être conformes à tous les codes)

Longueur maximale
de 22,86 m

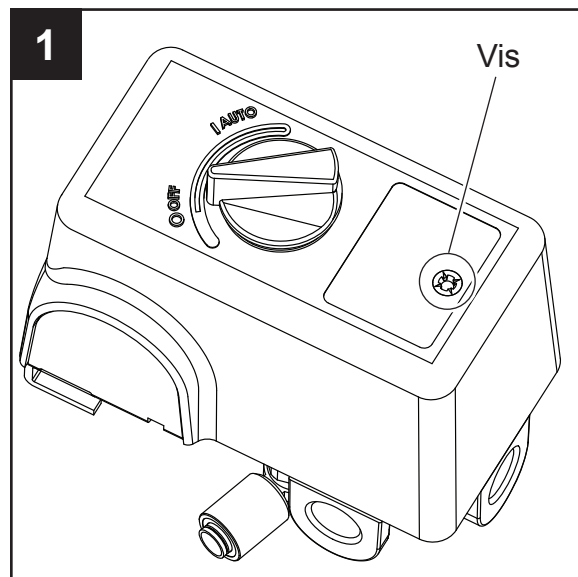
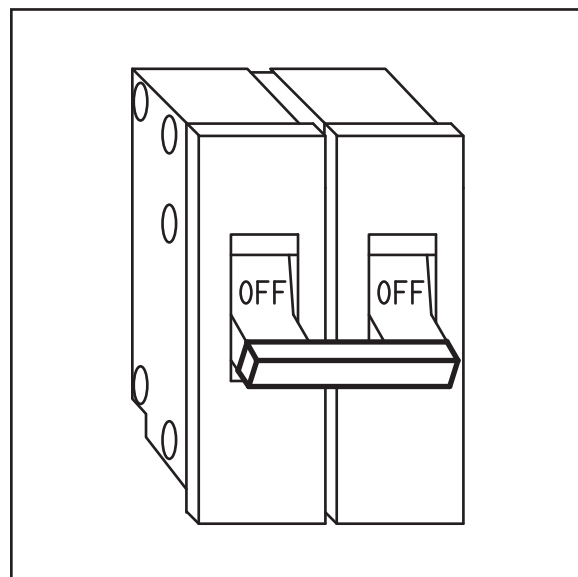
Calibre 10 AWG

1. Retirez le couvercle du pressostat après en avoir desserré la vis (voir la figure 1). Utilisez un tournevis cruciforme (non inclus). Les pressostats n'ont pas tous le même aspect.

⚠ AVERTISSEMENT

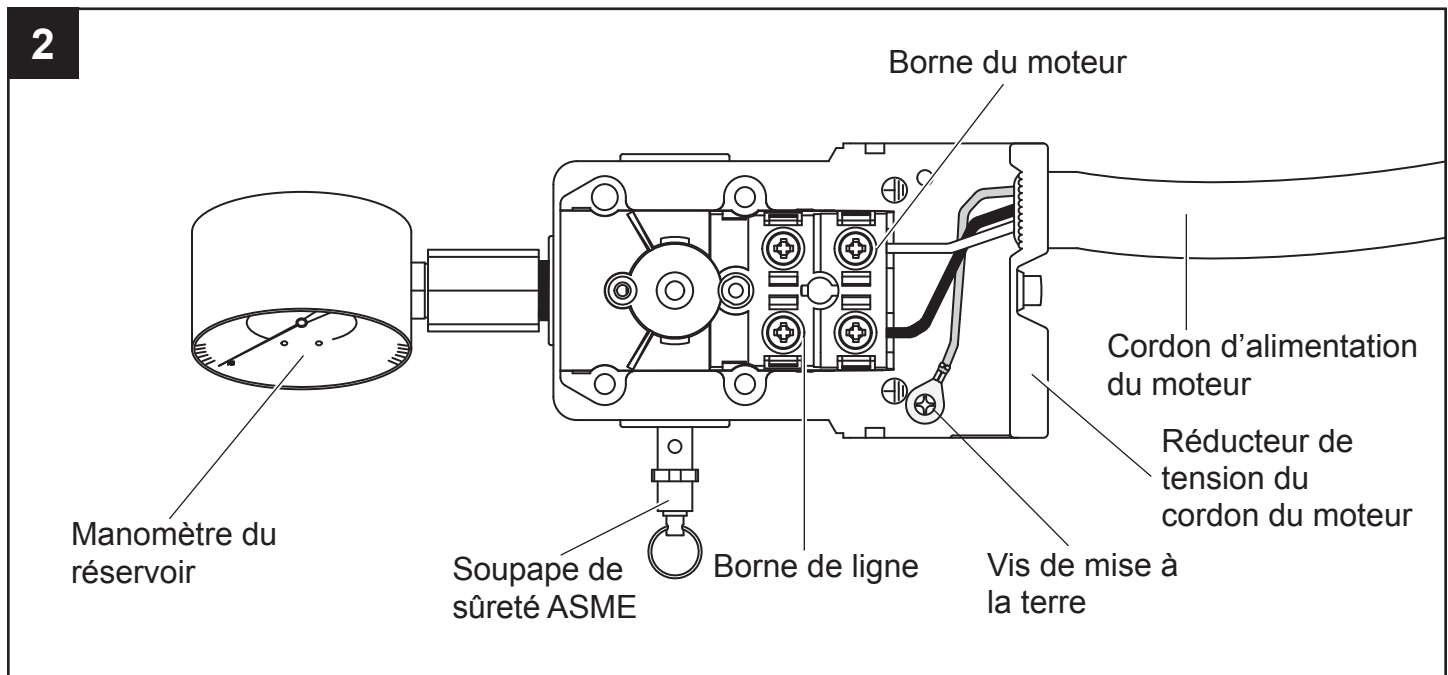


Risque de choc électrique. Confiez le câblage à un électricien qualifié qui connaît les commandes des moteurs industriels. L'installation de l'appareil doit se faire conformément à tous les codes locaux et nationaux.



INSTRUCTIONS POUR L'INSTALLATION

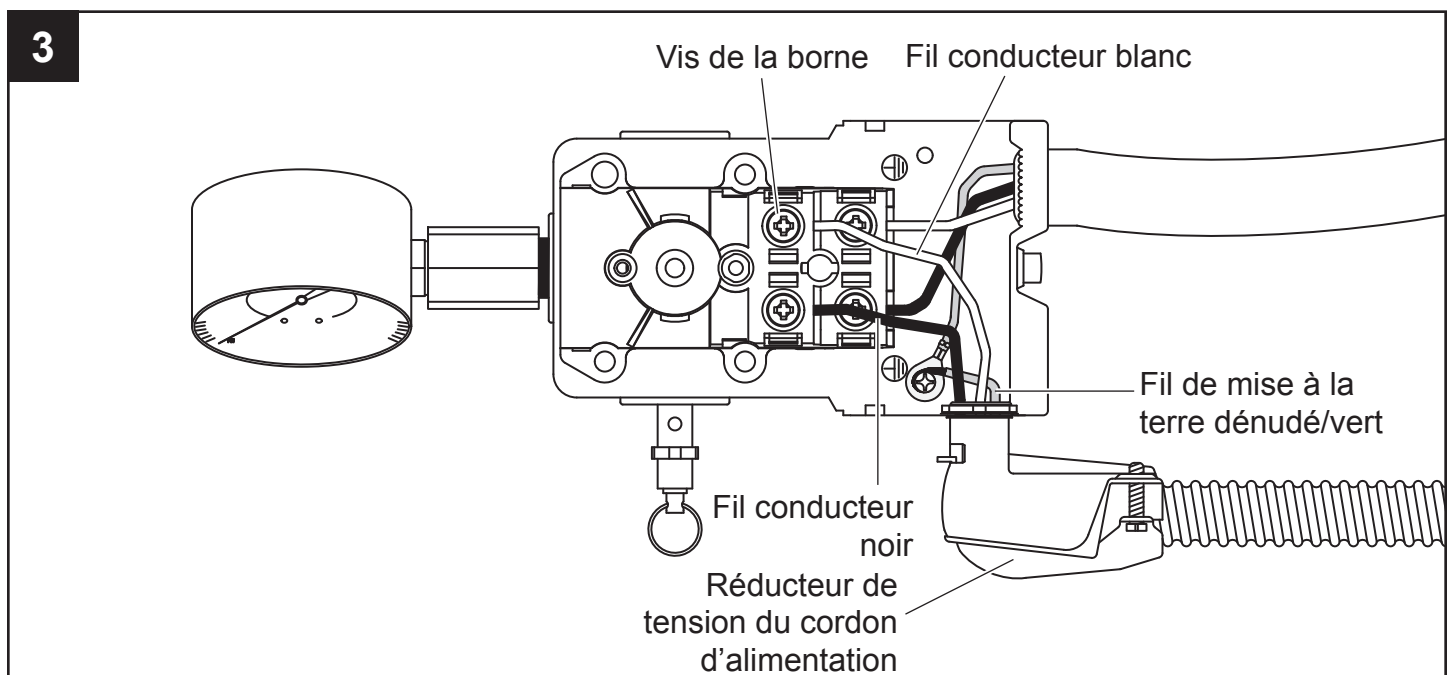
2. Après avoir retiré le couvercle, familiarisez-vous avec le pressostat.



3. Retirez la vis de mise à la terre. Fixez le réducteur de tension au pressostat. **NE** serrez pas le réducteur de tension sur le cordon d'alimentation avant que le câblage soit terminé. Faites passer les fils dénudés (noir, blanc, dénudé/vert) à travers le réducteur de tension.

Raccordez d'abord le fil de mise à la terre dénudé/vert à la vis de mise à la terre situées dans le corps du pressostat.

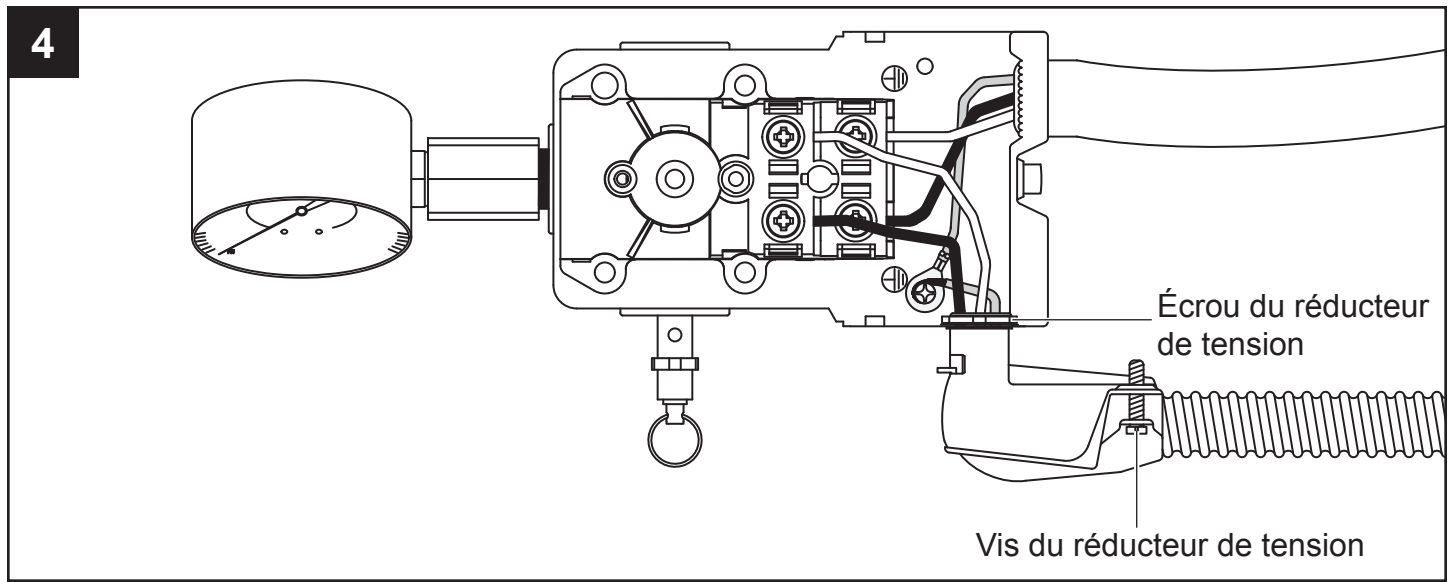
Repérez les bornes du pressostat qui portent la mention « Line » (ligne). Insérez les fils conducteurs et serrez les vis des bornes.



INSTRUCTIONS POUR L'INSTALLATION

4. Serrez l'écrou du réducteur de tension. Insérez un tournevis à tête plate (non inclus) dans l'encoche surélevée, puis frappez-le à l'aide du marteau (non inclus) jusqu'à ce que le réducteur soit bien en place.

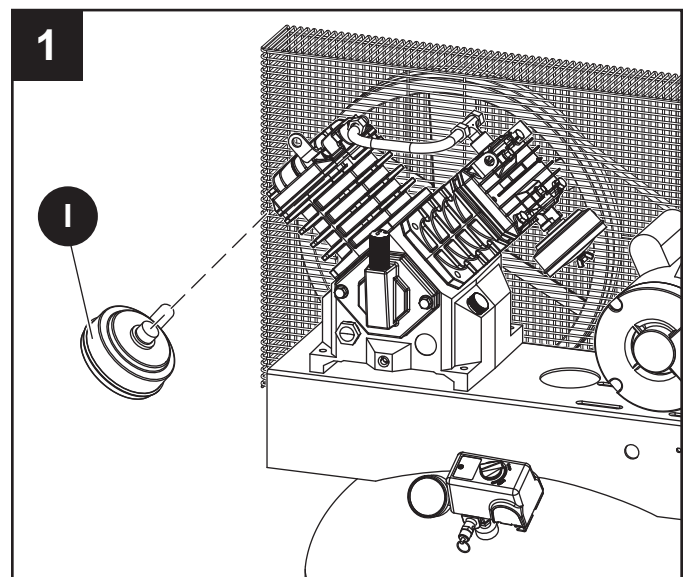
Serrez les vis du réducteur de tension afin que le cordon d'alimentation y soit solidement maintenu. Remplacez le couvercle du pressostat (le bouton doit se retrouver dans sa position initiale). Serrez la vis du pressostat au moyen d'un tournevis cruciforme. Assurez-vous que l'interrupteur est dans la position **OFF**. Suivez le procédé de rodage en page 42.



INSTRUCTIONS POUR L'ASSEMBLAGE

FILTRE

Installez des filtres à air (I) sur la pompe. Les filtres peuvent varier.



INSTRUCTIONS POUR L'ASSEMBLAGE

LUBRIFICATION

MISE EN GARDE

Effectuez une inspection avant la première utilisation. Vérifiez le niveau d'huile avant d'utiliser l'appareil.

Retirez le bouchon de la pompe. Vérifiez le niveau d'huile; certains modèles contiennent déjà de l'huile lorsqu'ils sont expédiés. Le volume maximal et le type d'huile à utiliser sont indiqués sur l'étiquette apposée à la pompe du compresseur.

RENSEIGNEMENTS SUR L'HUILE

Huile pour compresseur d'air Kobalt	UGS 221008
Huile à mélange synthétique Kobalt	UGS 221009
Huile synthétique Mobil 1® 10W30	
Volume maximal d'huile	0,91 L

N'utilisez pas de lubrifiant pour automobile ordinaire. Les additifs qui y sont présents pourraient former des dépôts sur la soupape et user la pompe prématurément.

Pour prolonger au maximum la durée de vie de cette dernière, vidangez l'huile et remplacez-la après la première heure d'utilisation.

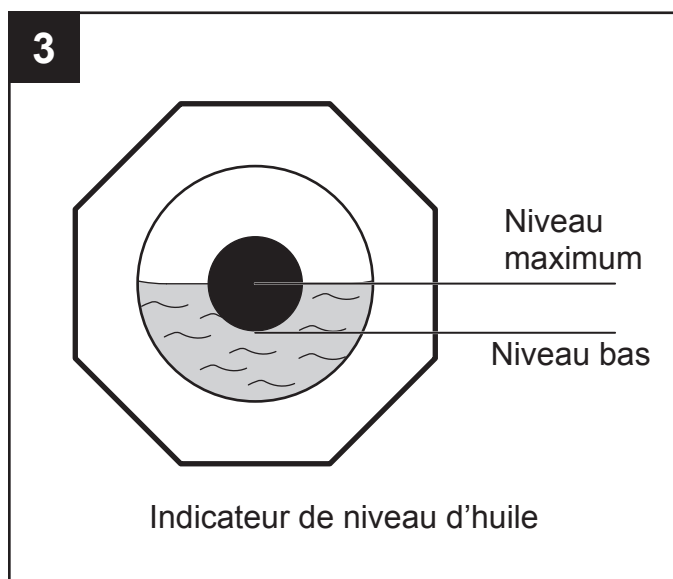
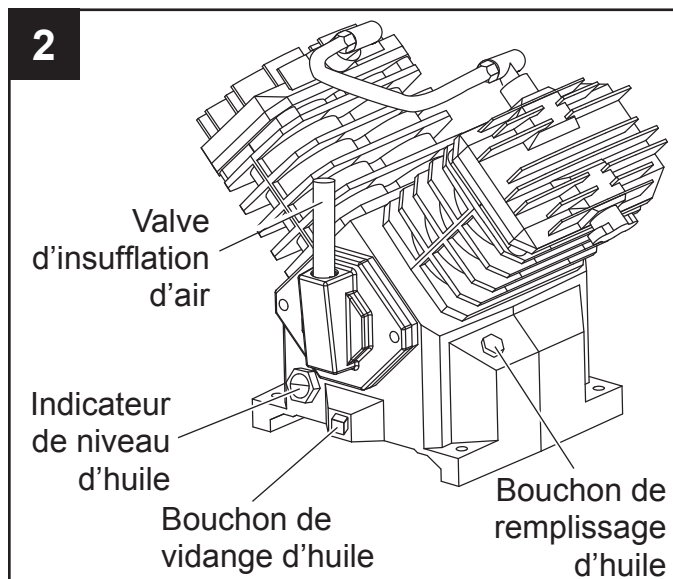
Cette pompe comporte un indicateur permettant de voir le niveau d'huile (figure 2) afin de la maintenir au niveau indiqué à la figure 3.

TUYAUX

⚠ AVERTISSEMENT

Risque de blessure. N'utilisez jamais des tuyaux de plastique (PVC) pour faire circuler de l'air comprimé. Le non-respect de cette consigne peut entraîner des blessures graves ou la mort.

La capacité de pression maximale des conduites, des tubes et des tuyaux utilisés doit être supérieure à 175 lb/po². La dimension minimale de tuyau recommandée est de 3/4 po. Il est cependant préférable d'opter pour un diamètre supérieur.



PROCÉDURE DE DÉMARRAGE ET DE RODAGE

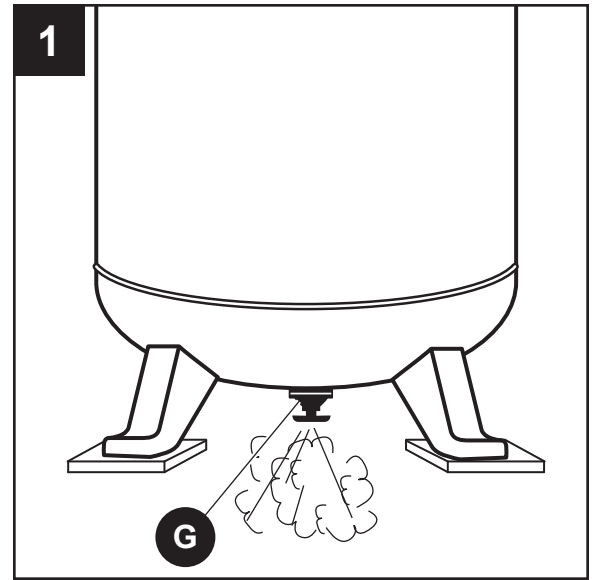
⚠ AVERTISSEMENT

Risque de blessure. Ne fixez pas d'outils à air comprimé à l'extrémité libre du tuyau avant que la procédure de démarrage n'ait été exécutée et que l'appareil fonctionne correctement.

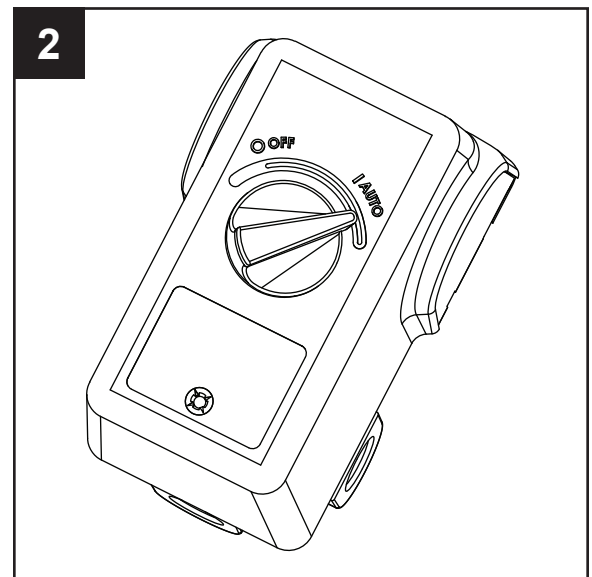
1. Rétablissez l'alimentation de l'appareil à partir du circuit principal.
2. Vérifiez le niveau d'huile selon les instructions figurant à la section Lubrification du présent guide.
3. Ouvrez le robinet de vidange (G) (voir la figure 1).
Tournez la soupape de sortie afin de laisser passer l'air.

⚠ AVERTISSEMENT

Risque de blessure. Ne desserrez jamais les joints filetés lorsqu'il y a de la pression dans le réservoir!



4. Réglez l'interrupteur du pressostat à **AUTO** afin de démarrer l'appareil (voir la figure 2).
5. Faites fonctionner l'appareil pendant trente minutes à 0 lb/pi² (aucune charge) afin de roder les pièces de la pompe.
6. Réglez le pressostat à **OFF** et fermez le robinet de vidange inférieur. Le compresseur est prêt à être utilisé.
7. Changez l'huile après les cinquante (50) premières heures d'utilisation. Changez l'huile tous les trois (3) mois.



MODE D'EMPLOI

CYCLE DE MARCHE/ARRÊT DU COMPRESSEUR.

⚠ AVERTISSEMENT

Risque d'éclatement. Vidangez le réservoir tous les jours afin d'éviter la corrosion et les blessures que pourrait causer un réservoir endommagé. Pour une vidange optimale, la pression du réservoir doit se situer entre 10 et 40 lb/po². Au-delà de 40 lb/po², le robinet risque d'être endommagé. Évacuez l'humidité du réservoir tous les jours à l'aide du robinet de vidange latéral ou inférieur.

Lorsque l'interrupteur du pressostat est en position **AUTO** le compresseur pompe de l'air dans le réservoir. Le compresseur s'arrête automatiquement lorsqu'il atteint la pression pré réglée.

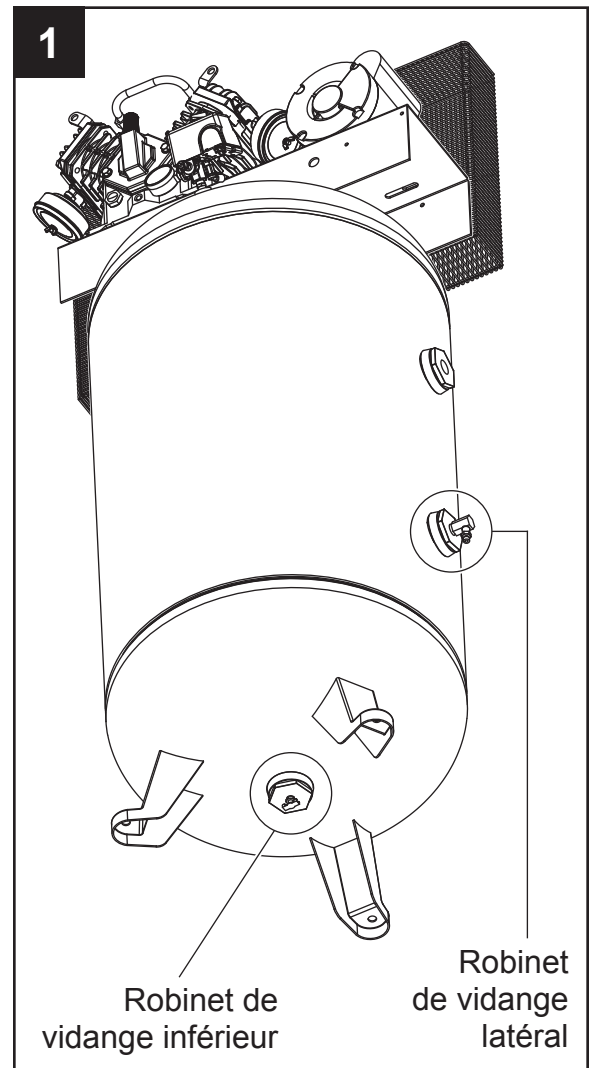
Si l'interrupteur du pressostat demeure en position **AUTO** et que l'utilisation d'un outil à air comprimé diminue la quantité d'air dans le réservoir, le compresseur redémarre automatiquement dès que la pression minimale pré réglée est atteinte. Lorsqu'un outil est utilisé sans interruption, le compresseur suit automatiquement un cycle de marche/arrêt.

Lorsque l'interrupteur du pressostat est réglé à **OFF** le compresseur ne se met pas en marche.

Videz le réservoir. Débranchez l'appareil, verrouillez-le et placez-y une étiquette d'avertissement; évacuez la pression. Évacuez l'humidité du réservoir en ouvrant le robinet de vidange inférieur ou le robinet de vidange latéral (voir la figure 1).

REMARQUE

Entretien. Évacuez tout liquide du réservoir chaque jour.



HUMIDITÉ PRÉSENTE DANS L'AIR COMPRIMÉ

L'humidité présente dans l'air comprimé se transforme en gouttelettes en sortant de la pompe du compresseur. Lorsque le taux d'humidité de l'air ambiant est élevé ou que le compresseur fonctionne sans relâche pendant une longue période, cette humidité s'accumule dans le réservoir. Si vous utilisez un pistolet-pulvérisateur à peinture ou un pistolet de sablage, ces gouttelettes passeront dans le tuyau reliant le réservoir au pistolet et se retrouveront mélangées au matériau pulvérisé.

IMPORTANT : Ces gouttelettes produiront des traces d'eau lors de travaux de peinture, particulièrement si vous utilisez une peinture qui n'est pas à base d'eau. Si vous utilisez un pistolet à sablage, les gouttelettes d'eau aggloméreront le sable, ce qui obstruera le pistolet et le rendra inutilisable. Pour éliminer l'humidité, installez un filtre dans la conduite d'air, aussi près que possible du pistolet.

⚠ AVERTISSEMENT



Risque d'explosion. Débranchez l'appareil, verrouillez-le et placez-y une étiquette d'avertissement, puis libérez toute la pression de l'appareil avant d'essayer de l'installer, de le réparer, de le déplacer ou de l'entretenir.

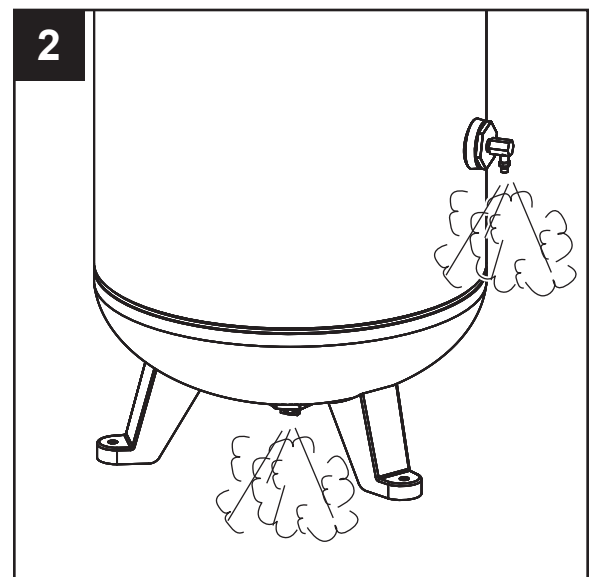
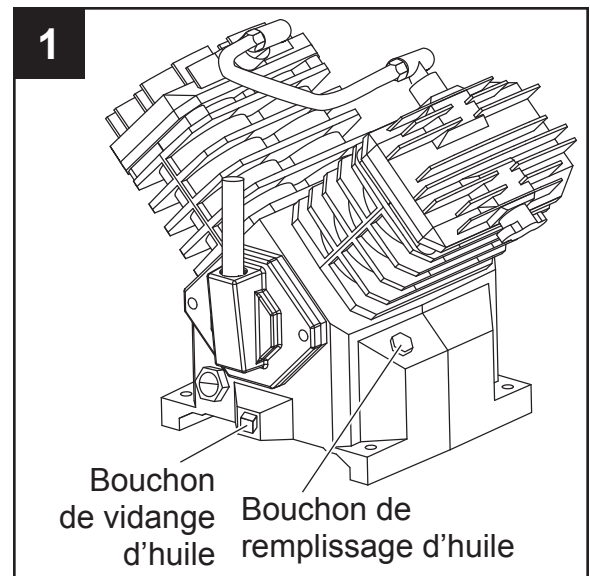
REMARQUE

Entretien. Évacuez tout liquide du réservoir chaque jour.

Seuls des représentants autorisés devraient effectuer les réparations de l'appareil.

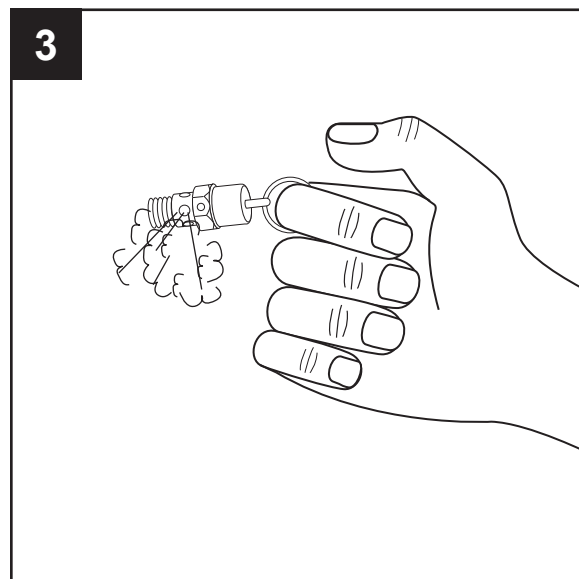
Pour que l'appareil fonctionne efficacement, effectuez les tâches d'entretien suivantes :

1. Débranchez l'appareil, verrouillez-le et placez-y une étiquette d'avertissement; retirez tout débris du moteur, du volant, du réservoir, des conduites d'air et des ailettes de refroidissement de la pompe.
2. Maintenez un niveau d'huile adéquat. Pour en savoir davantage, reportez à la section Lubrification du présent guide.
3. Changez l'huile.
 - a. Faites fonctionner le compresseur afin que l'huile se réchauffe. Débranchez l'appareil, verrouillez-le et placez-y une étiquette d'avertissement.
 - b. Placez un bac sous la pompe.
 - c. Retirez le bouchon de vidange d'huile (voir la figure 1). Laissez l'huile s'égoutter dans le bac.
 - d. Remettez le bouchon de vidange en place et remplissez la pompe jusqu'à ce que l'huile atteigne le niveau maximum (voir la figure 1). Reportez-vous à la section Lubrification du présent guide.
4. Videz le réservoir. Débranchez l'appareil, verrouillez-le et placez-y une étiquette d'avertissement; évacuez la pression. Évacuez l'humidité du réservoir en ouvrant le robinet de vidange inférieur ou le robinet de vidange latéral (voir la figure 2).



ENTRETIEN

5. Vérifiez si le filtre à air est propre. S'il ne l'est pas, remplacez-le.
6. Vérifiez l'état de la soupape de sûreté en exécutant les étapes suivantes :
 - a. Rétablissez l'alimentation électrique; réglez l'interrupteur du pressostat à la position **AUTO**. Faites fonctionner l'appareil jusqu'il atteigne une pression de 90 lb/po². Réglez l'interrupteur du pressostat à **OFF**.
 - b. Portez des lunettes de sécurité et des protecteurs auditifs, puis tirez l'anneau de la soupape de sûreté afin d'évacuer la pression d'air du réservoir du compresseur. L'air s'échappera rapidement. Éloignez-vous et n'exposez pas votre visage (voir la figure 3).
 - c. La soupape de sûreté se refermera automatiquement lorsque la pression atteindra entre 40 et 50 lb/po². Si l'air ne s'évacue pas après que vous avez tiré sur l'anneau ou si la soupape ne se referme pas automatiquement, vous DEVEZ la remplacer.
7. Surveillez les signes d'usure susceptibles d'apparaître sur la courroie. Remplacez-la dès que vous vous en apercevez. Assurez-vous que la tension et l'alignement de la courroie sont adéquats.




SOUTIEN TECHNIQUE

Pour obtenir des renseignements sur le fonctionnement et la réparation de ce produit, veuillez téléphoner au 1 888 3KOBALT (1 888 356-2258).

PROGRAMME D'ENTRETIEN				
ACTION	QUOTIDIEN	HEBDOMADAIRE	MENSUEL	3 MOIS
VÉRIFICATION DU NIVEAU D'HUILE	●			
VIDANGE DU RÉSERVOIR	●			
VÉRIFICATION DU FILTRE À AIR		●		
VÉRIFICATION DE LA SOUPAPE DE SÛRETÉ		●		
NETTOYAGE DE L'APPAREIL			●	
VÉRIFICATION DE LA TENSION DE LA COURROIE			●	
CHANGEMENT DE L'HUILE*				●

* Changez l'huile après les cinquante (50) premières heures de fonctionnement, puis tous les trois (3) mois.

PROBLÈME	CAUSE POSSIBLE	MESURE CORRECTIVE
La pression de refoulement est faible	<ol style="list-style-type: none"> 1. La demande d'air excède la capacité de la pompe 2. La prise d'air est obstruée 3. L'air fuit (par les raccords, les tuyaux fixés au compresseur ou la tuyauterie extérieure au système) 4. Des joints d'étanchéité sont endommagés 5. Les soupapes fuient ou sont endommagées 	<ol style="list-style-type: none"> 1. Réduisez la demande d'air ou utilisez un compresseur de capacité supérieure. 2. Nettoyez ou remplacez le filtre à air. 3. Tendez l'oreille pour repérer les fuites d'air. Appliquez de l'eau savonneuse sur tous les raccords et branchements. Des bulles se forment là où il y a une fuite. Resserrez ou remplacez les raccords ou les branchements présentant des fuites. Utilisez de la pâte d'étanchéité pour joints filetés. 4. Remplacez les joints d'étanchéité endommagés. 5. Retirez la tête de cylindre et vérifiez si des soupapes sont brisées, mal alignées ou des sièges endommagés. Remplacez les pièces défectueuses et remettez la tête de cylindre en place.
<div style="background-color: black; color: white; padding: 5px; font-weight: bold; font-size: 1.2em;">MISE EN GARDE</div> <div style="border: 1px solid black; padding: 5px; margin-top: 5px;"> <p>Entretien. Installez un nouveau joint chaque fois que la tête est retirée.</p> </div>		
Le compresseur produit un bruit excessif (cognement)	<ol style="list-style-type: none"> 1. La poulie ou le volant du moteur sont lâches 2. Les fixations de la pompe ou du moteur sont lâches 3. Il manque d'huile dans le carter 4. La bielle est usée 5. L'alésage de l'axe des pistons est usé 6. Un piston percute la plaque porte-soupape 	<ol style="list-style-type: none"> 1. Resserrez tous les boulons et les vis de calage de la poulie et du volant du moteur. 2. Serrez toutes les fixations. 3. Vérifiez le niveau d'huile; s'il est bas, vérifiez si les roulements sont endommagés. Une huile sale peut entraîner une usure excessive. 4. Remplacez la bielle. Maintenez l'huile au niveau approprié et changez l'huile plus fréquemment. 5. Retirez l'assemblage des pistons et recherchez-y des signes d'usure excessive. Au besoin, remplacez l'axe des pistons ou les pistons eux-mêmes. Maintenez l'huile au niveau approprié et changez l'huile plus fréquemment. 6. Retirez la tête de compresseur ainsi que la plaque porte-soupape, et vérifiez s'il y a des dépôts de carbone ou d'autres substances sur les pistons. Remettez en place la tête de compresseur ainsi que la plaque porte-soupape, en utilisant un nouveau joint d'étanchéité. Pour savoir quelle huile utiliser, reportez-vous à la section Lubrification du présent guide.

PROBLÈME	CAUSE POSSIBLE	MESURE CORRECTIVE
Le compresseur produit un bruit excessif (cognement) (suite)	7. Le clapet de non-retour du compresseur est bruyant	7. Remplacez le clapet de non-retour. ⚠ DANGER  Risque d'explosion. Ne désassemblez pas le clapet de non-retour lorsque le réservoir contient de l'air comprimé.
Il y a une grande quantité d'huile dans l'air de sortie REMARQUE : Il est normal qu'une faible quantité d'huile se retrouve dans le jet d'air d'un compresseur lubrifié à l'huile.	1. Les segments des pistons sont usés 2. La prise d'air est obstruée 3. Le compresseur contient trop d'huile 4. L'huile n'a pas une viscosité adéquate	1. Remplacez-les par des segments neufs. Maintenez l'huile au niveau approprié et changez l'huile plus fréquemment. 2. Nettoyez ou remplacez le filtre. Recherchez d'autres sources d'obstruction dans le système de prise d'air. 3. Évacuez le surplus d'huile jusqu'au niveau maximum. 4. Utilisez l'huile moteur synthétique Mobil 1® 10W30 ou toute autre huile entièrement synthétique.
Il y a de l'eau dans l'air de sortie ou dans le réservoir	Fonctionnement normal. Plus le temps est humide, plus la concentration d'eau dans l'air est élevée.	1. Videz le réservoir plus souvent, au moins une fois par jour. 2. Ajoutez un filtre afin de réduire la quantité d'eau dans la conduite d'air.
Le moteur émet un bourdonnement et fonctionne lentement ou pas du tout	1. La tension est basse 2. Trop d'appareils sont alimentés par le même circuit 3. Les branchements électriques sont lâches 4. Le pressostat est défectueux; les contacts ne se font pas.	1. Vérifiez la tension entrante. Elle devrait se situer autour de 230 volts. Si elle est de 208 volts ou moins, le moteur ne pourra pas fonctionner de manière appropriée. Une tension faible peut être due au fait que les câbles reliant la source d'alimentation au compresseur sont trop longs ou que leur calibre est trop petit. Demandez à un électricien qualifié de vérifier les câbles et d'effectuer les modifications nécessaires. 2. Branchez le compresseur sur un circuit réservé. 3. Vérifiez tous les branchements électriques. 4. Remplacez le pressostat.

PROBLÈME	CAUSE POSSIBLE	MESURE CORRECTIVE
Le moteur émet un bourdonnement et fonctionne lentement ou pas du tout (suite)	<p>5. Le clapet de non-retour ne fonctionne pas bien</p> <p>6. La soupape de déchargement du pressostat est défectueuse</p> <p>7. Un ou plusieurs condensateurs du moteur sont défectueux</p> <p>8. Le moteur est défectueux.</p>	<p>5. Remplacez le clapet de non-retour.</p> <div style="border: 1px solid black; padding: 5px; margin: 5px 0;"> <p style="text-align: center;">⚠ DANGER</p> <p>Risque d'explosion. Ne désassemblez pas le clapet de non-retour lorsque le réservoir contient de l'air comprimé.</p> </div> <p>6. Remplacez la soupape de déchargement.</p> <p>7. Remplacez le ou les condensateurs.</p> <p>8. Remplacez le moteur.</p>
Le mécanisme de réinitialisation ou le disjoncteur se déclenche à répétition	<p>1. La ventilation est insuffisante ou la température ambiante est trop élevée</p> <p>2. Trop d'appareils sont alimentés par le même circuit</p> <p>3. La prise d'air est obstruée</p> <p>4. Les branchements électriques sont lâches</p> <p>5. La pression maximale pré réglée est trop élevée</p> <p>6. Le clapet de non-retour ne fonctionne pas bien</p> <p>7. La soupape de déchargement du pressostat est défectueuse</p> <p>8. Un ou plusieurs condensateurs du moteur sont défectueux</p> <p>9. Le moteur fonctionne mal</p>	<p>1. Déplacez le compresseur vers un endroit bien ventilé.</p> <p>2. Branchez le compresseur sur un circuit réservé.</p> <p>3. Nettoyez ou remplacez le filtre.</p> <p>4. Vérifiez tous les branchements électriques.</p> <p>5. Remplacez le pressostat.</p> <p>6. Remplacez le clapet de non-retour.</p> <div style="border: 1px solid black; padding: 5px; margin: 5px 0;"> <p style="text-align: center;">⚠ DANGER</p> <p>Risque d'explosion. Ne désassemblez pas le clapet de non-retour lorsque le réservoir contient de l'air comprimé.</p> </div> <p>7. Remplacez la soupape de déchargement.</p> <p>8. Remplacez le ou les condensateurs.</p> <p>9. Remplacez le moteur.</p>

PROBLÈME	CAUSE POSSIBLE	MESURE CORRECTIVE
La pression à l'intérieur du réservoir n'est pas maintenue lorsque le compresseur est arrêté et que le robinet d'arrêt est fermé	<ol style="list-style-type: none"> 1. L'air fuit (par les raccords, les tuyaux fixés au compresseur ou la tuyauterie extérieure au système) 2. Le clapet de non-retour est usé 	<ol style="list-style-type: none"> 1. Vérifiez tous les raccords à l'aide d'eau savonneuse. Serrez les raccords, ou retirez-les et appliquez sur le filetage du scellant pour joints filetés. 2. Remplacez le clapet de non-retour. <div style="border: 1px solid black; padding: 5px; margin-top: 10px;"> <p style="text-align: center;">⚠ DANGER</p> <p>Risque d'explosion. Ne désassemblez pas le clapet de non-retour lorsque le réservoir contient de l'air comprimé.</p> </div> <ol style="list-style-type: none"> 3. Remplacez le réservoir. Ne tentez jamais de réparer un réservoir endommagé.
Le pressostat expulse continuellement de l'air par la soupape de déchargement	Le clapet de non-retour ne fonctionne pas bien	<p>Si l'air contenu dans le réservoir s'échappe lentement et de façon continue par la soupape de déchargement lorsque l'appareil est éteint, remplacez le clapet de non-retour.</p> <div style="border: 1px solid black; padding: 5px; margin-top: 10px;"> <p style="text-align: center;">⚠ DANGER</p> <p>Risque d'explosion. Ne désassemblez pas le clapet de non-retour lorsque le réservoir contient de l'air comprimé.</p> </div>
Le pressostat n'évacue pas d'air lorsque l'appareil s'arrête	La soupape de déchargement du pressostat est défectueuse	<p>Si la soupape de déchargement n'évacue pas de pression pendant un court instant lorsque l'appareil s'arrête, remplacez-la.</p> <div style="border: 1px solid black; padding: 5px; margin-top: 10px;"> <p style="text-align: center;">⚠ DANGER</p> <p>Risque d'explosion. Ne désassemblez pas la soupape de déchargement lorsque le réservoir contient de l'air comprimé.</p> </div>
Il y a une vibration excessive	<ol style="list-style-type: none"> 1. Les fixations de la pompe ou du moteur sont lâches 2. La courroie doit être remplacée 3. L'alignement de la courroie est incorrect 	<ol style="list-style-type: none"> 1. Serrez toutes les fixations. 2. Remplacez-la par une courroie de dimension appropriée. 3. Alignez le volant et la poulie du moteur de manière appropriée.

GARANTIE

1. DURÉE : La présente garantie entre en vigueur à compter de la date d'achat par l'acheteur initial, et est d'une durée de trois ans.
2. FOURNISSEUR DE LA PRÉSENTE GARANTIE : Campbell Hausfeld / Scott Fetzer Company, 100 Production Drive, Harrison, Ohio, 45030.
3. BÉNÉFICIAIRE DE LA PRÉSENTE GARANTIE : L'acheteur original du compresseur (qui a acheté l'appareil à des fins autres que la revente).
4. PRODUITS COUVERTS PAR LA PRÉSENTE GARANTIE : Le compresseur d'air.
5. CE QUE LA PRÉSENTE GARANTIE COUVRE : Les pièces et la main-œuvre nécessaires au remplacement des pièces défectueuses au cours de la première année suivant la date d'achat, mises à part les exceptions ci-dessous. Seulement les pièces nécessaires au remplacement des pièces défectueuses au cours des deux dernières années de la garantie, mises à part les exceptions ci-dessous.
6. CE QUE LA PRÉSENTE GARANTIE NE COUVRE PAS :
 - A. Les garanties implicites, y compris les garanties de qualité marchande et de CONFORMITÉ À UN USAGE PARTICULIER, SONT LIMITÉES À COMPTER DE LA DATE D'ACHAT INITIALE TELLE QUE DÉFINIE À LA RUBRIQUE SUR LA DURÉE. Si le compresseur est installé à des fins commerciales, industrielles ou de location, la garantie susmentionnée s'appliquera pendant 90 jours à compter de la date d'achat du produit. La garantie des compresseurs à quatre cylindres à un étage et à deux étages utilisés à des fins commerciales ou industrielles ne se limite pas à 90 jours. Certains États ou certaines provinces ne permettent pas de limiter la durée des garanties implicites; les limitations indiquées ci-dessus peuvent ne pas s'appliquer dans votre cas.
 - B. LES PERTES, DOMMAGES OU DÉPENSES ACCESSOIRES, INDIRECTS OU CONSÉCUTIFS POUVANT RÉSULTER D'UNE DÉFECTUOSITÉ OU D'UNE DÉFAILLANCE DU PRODUIT CAMPBELL HAUSFELD. Certains États ou certaines provinces ne permettent pas d'exclure ou de limiter certains dommages accessoires ou consécutifs; les limitations ou les exclusions mentionnées ci-dessus peuvent ne pas s'appliquer dans votre cas.
 - C. Toute panne résultant d'un accident, d'un usage abusif, d'une négligence de l'utilisateur ou d'une utilisation du produit ne respectant pas les instructions du guide d'utilisation fourni avec le compresseur.
 - D. Tout entretien avant livraison, par exemple l'ajout d'huiles ou de lubrifiants, l'assemblage ou l'ajustement de l'appareil.
 - E. Les tâches et les éléments liés à l'entretien du produit, par exemple les lubrifiants, les filtres et les joints d'étanchéité.
 - F. Les moteurs à essence et leurs pièces sont expressément exclus de la présente garantie limitée. L'acheteur doit respecter les modalités de la garantie offerte par le fabricant du moteur.
 - G. Autres éléments non couverts par la présente garantie :
 1. Éléments exclus de la garantie pour tous les compresseurs :
 - a. Tout dommage survenu au cours de la livraison du produit ou causé par une installation ou une utilisation non conforme aux directives, ou consécutif au contact avec des outils ou l'environnement d'utilisation.
 - b. Une défaillance de la pompe ou d'une soupape causée par la pluie, l'humidité excessive, un environnement corrosif ou d'autres contaminants.
 - c. Des défauts esthétiques qui ne nuisent pas au fonctionnement du compresseur.
 - d. Un réservoir rouillé, y compris, sans s'y limiter, la rouille causée par une vidange inadéquate ou un environnement corrosif.
 - e. Après une période de un an à compter de la date d'achat, les éléments suivants ne sont pas couverts par la garantie, car ils sont considérés comme normaux : l'usure du moteur électrique, du clapet de non-retour, du pressostat, du régulateur, du manomètre, des

tuyaux, des tubes, des conduites, des raccords, des vis, des écrous, de la quincaillerie, des courroies, des poulies, du volant, du filtre à air et de son boîtier, des joints, des joints d'étanchéité et des segments de piston, de même que les fuites d'huile, les fuites d'air et la consommation d'huile.

- f. Les robinets de vidange du réservoir.
- g. Les dommages causés par une tension ou un câblage inappropriés.
- h. Les autres éléments non énumérés mais considérés comme faisant partie de l'usure normale de l'appareil.
- i. Les pressostats, les régulateurs d'air, les appareils de charge et de décharge, les dispositifs d'étranglement ainsi que les soupapes de sûreté dont le réglage effectué en usine a été modifié.
- j. Les dommages causés par un mauvais entretien du filtre.
- k. Les moteurs asynchrones alimentés par de l'électricité produite par une génératrice.

2. Éléments exclus de la garantie pour tous les compresseurs lubrifiés :

- a. Les dommages causés à la pompe ou aux soupapes par l'utilisation d'une huile inappropriée.
- b. Les dommages causés à la pompe ou aux soupapes par l'utilisation d'une huile contaminée.
- c. Les dommages causés à la pompe par le non-respect des directives d'entretien relatives à l'huile, ainsi que le fonctionnement de l'appareil malgré l'absence d'huile ou un niveau d'huile insuffisant.

H. Les frais de main-d'œuvre, d'appels de service et de transport engagés après une période de un an à compter de la date d'achat d'un compresseur fixe. Par définition, les compresseurs fixes ne comportent pas de poignées ni de roulettes.

7. **RESPONSABILITÉS DU FOURNISSEUR EN VERTU DE LA PRÉSENTE GARANTIE :** Réparer ou remplacer le compresseur ou l'une de ses pièces, à la discrétion du fournisseur de la garantie, si l'appareil présente un défaut ou un problème de fonctionnement pendant la période de garantie.

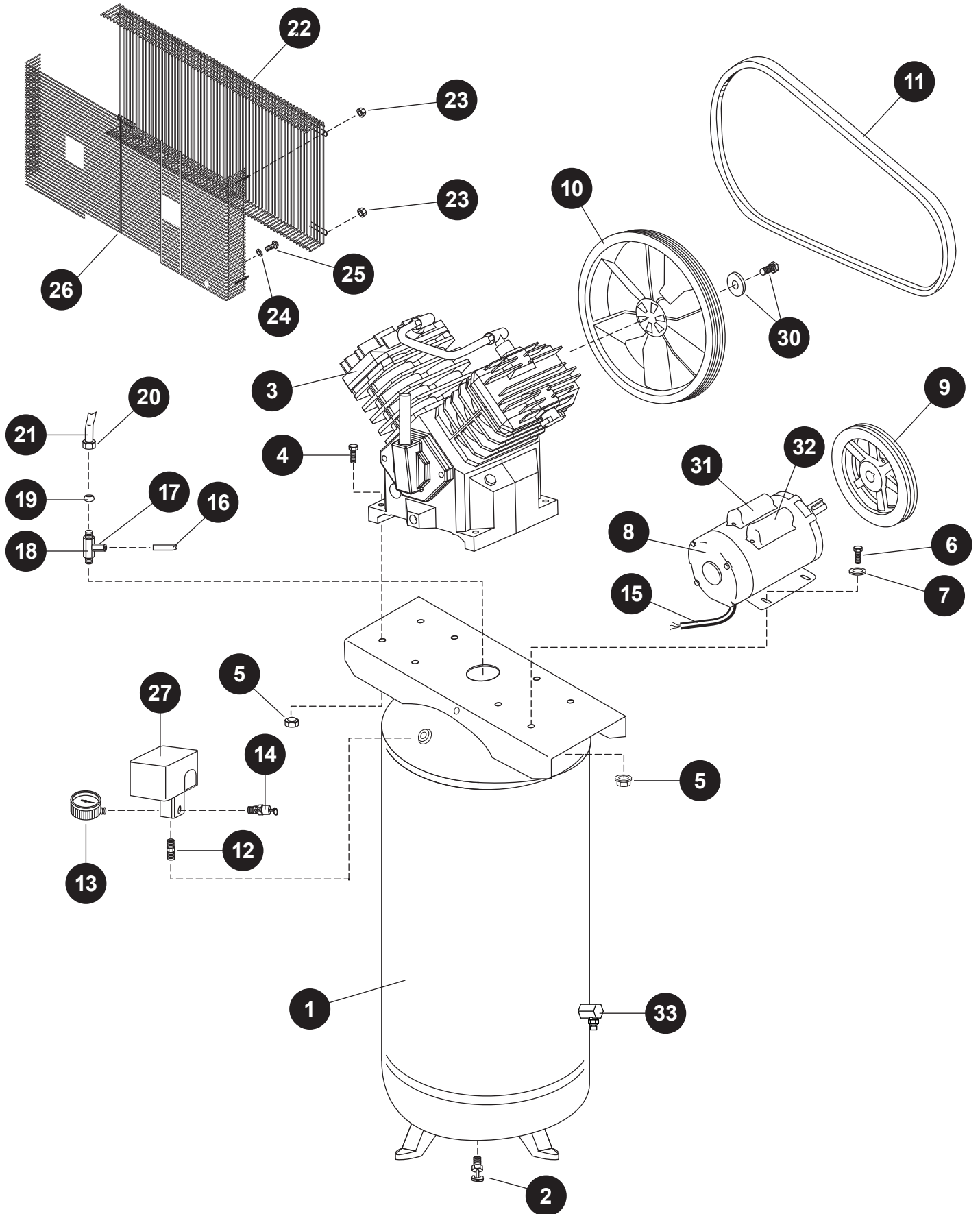
8. **RESPONSABILITÉS DE L'ACHETEUR EN VERTU DE LA PRÉSENTE GARANTIE :**

- A. Fournir une preuve d'achat datée ainsi que le registre d'entretien de l'appareil.
- B. Communiquer avec le service à la clientèle au 1 888 3KOBALT (1 888 356-2258) afin de connaître les options de service offertes dans le cadre de la présente garantie. Les frais de transport seront à la charge de l'acheteur.
- C. Manipuler soigneusement le compresseur pendant l'exécution des tâches liées à son fonctionnement et à son entretien, conformément aux directives du guide d'utilisation.
- D. Le coût des réparations nécessitant des heures supplémentaires, effectuées aux taux de fin de semaine ou à un taux supérieur au taux standard de remboursement des frais de réparation en vertu de la garantie du fabricant.
- E. Le temps nécessaire pour les vérifications de sécurité, la formation en matière de sécurité ou toute autre formation nécessaire à l'accès aux installations par le personnel d'entretien.
- F. Veiller à ce que l'appareil soit situé dans un endroit facilement accessible permettant au personnel d'entretien d'effectuer les réparations.

9. **DÉLAI DE RÉPARATION OU DE REMPLACEMENT PAR LE FOURNISSEUR DE LA PRÉSENTE GARANTIE :** La réparation ou le remplacement de l'appareil se feront selon le flux normal de travail au centre de service et selon la disponibilité des pièces requises.

Cette garantie limitée est valable aux États-Unis, au Canada et au Mexique, et elle vous confère des droits précis. Il est possible que vous disposiez également d'autres droits, qui varient d'un État, d'une province ou d'un pays à l'autre.

LISTE DES PIÈCES DE RECHANGE

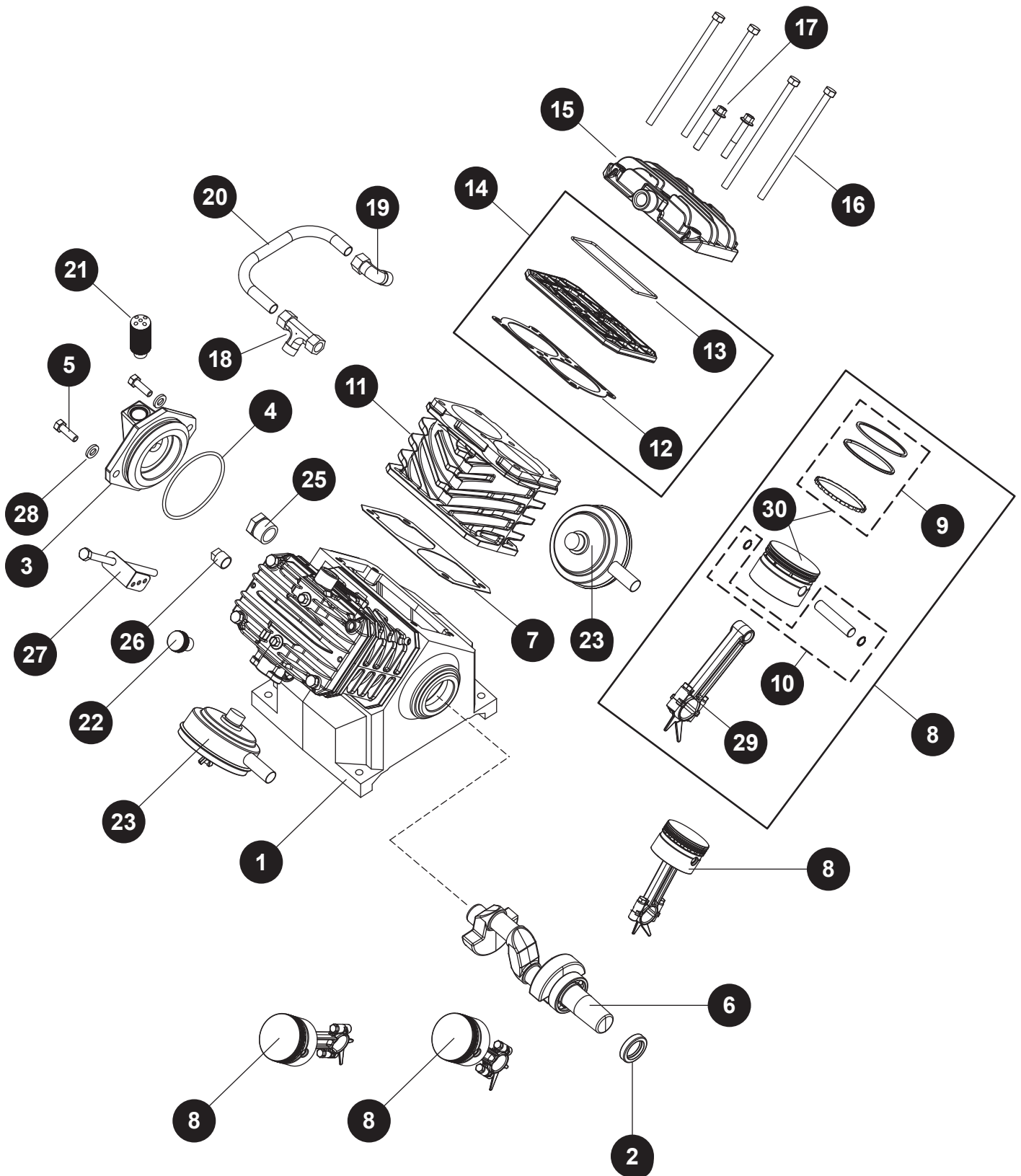


LISTE DES PIÈCES DE RECHANGE

Pour obtenir des pièces de rechange, communiquez avec notre service à la clientèle au 1 888 3KOBALT (1 888 356-2258), entre 8 h et 20 h (HNE), du lundi au vendredi.

PIÈCE	DESCRIPTION	NUMÉRO DE PIÈCE	QTÉ
1	Réservoir d'air	AR232401CG	1
2	Robinet de vidange	ST127700AV	1
3	Pompe du compresseur d'air avec volant	TQ300000AV	1
4	Boulon à tête hexagonale 5/16 po – 18 x 1 1/2 po	*	4
5	Contre-écrou 5/16 po – 18	*	8
6	Boulon à tête hexagonale 5/16 po – 18 x 3/4 po	*	4
7	Rondelle de 5/16 po	*	4
8	Moteur électrique	MC024700SJ	1
9	Poulie du moteur	PU017001AV	1
10	Volant	PU017100AV	1
11	Courroie	BT013100AV	1
12	Tige filetée	HF002401AV	1
13	Manomètre	GA031900AV	1
14	Soupape de sûreté	V-215109AV	1
15	Cordon d'alimentation	EC013500AV	1
16	Tube de décharge	ST117802AV	1
17	Raccord à compression droit	ST081301AV	1
18	Clapet de non-retour	CV223300AV	1
19	Manchon à comprimer 1/2 po	ST032900AV	1
20	Écrou à compression 1/2 po	ST033001AV	1
21	Tuyau d'évacuation	TQ901600AP	1
22	Garde-courroie avant	BG307500AV	1
23	Écrous hexagonaux à embase no 10 – 24	ST116201AV	5
24	Rondelle de 5/16 po	ST011200AV	2
25	Vis autotaraudeuse 5/16 po	ST016500AV	4
26	Garde-courroie arrière	BG307400AV	1
27	Pressostat (avec soupape de déchargement)	CW219300AV	1
28	Soupape de déchargement du pressostat (△)	CW210001AV	1
29	Couvercle du pressostat (△)	CW217800AV	1
30	Ensemble de pièces de fixation du volant	TQ901400AV	1
31	Condensateur de démarrage	MC507018AV	1
32	Condensateur de marche	MC506910AV	1
33	Robinet à vidange facile	D-140501AV	1
34	Décalcomanie d'avertissement (△)	DK747600AV	1
△	Non illustré		
*	Quincaillerie standard		

LISTE DES PIÈCES DE RECHANGE



LISTE DES PIÈCES DE RECHANGE

Pour obtenir des pièces de rechange, communiquez avec notre service à la clientèle au 1 888 3KOBALT (1 888 356-2258), entre 8 h et 20 h (HNE), du lundi au vendredi.

PIÈCE	DESCRIPTION	NUMÉRO DE PIÈCE	QTÉ
1	Carter	TQ010001AV	1
2	Joint d'huile	ST120000AV	1
3	Capuchon de palier	TQ010201AV	1
4	Joint torique	■	1
5	Vis d'assemblage à tête hexagonale M8 x 25 mm	*	2
6	Assemblage vilebrequin et roulements	TQ900201AJ	1
7	Joint du carter	■	2
8	Ensemble bielle / assemblage de piston	TQ901500AV	4
9	Ensembles de segments de piston (deux ensembles)	VT911200AV	2
10	Ensemble d'axe de piston [comprend les bagues de retenue]	TQ901800AV	4
11	Cylindre	VT040915AV	2
12	Joint de cylindre	■	2
13	Joint torique moulé	■	2
14	Ensemble de plaque porte-soupape	VT491100AV	2
15	Tête de cylindre	▲	2
16	Vis d'assemblage à tête hexagonale M8 x 150 mm	▲	8
17	Vis à épaulement	▲	4
18	Raccord en T de l'échappement	TQ901100AV	1
19	Raccord coudé de l'échappement	TQ901200AV	1
20	Tuyau d'échappement	TQ901300AV	1
21	Valve d'insufflation d'air	VH901100AV	1
22	Bouchon de remplissage d'huile	VH900800AV	1
23	Filtre à air (ensemble)	VH901700AV	2
24	Filtre seulement (△)	VH901800AV	2
25	Indicateur de niveau d'huile	VH901000AV	1
26	Bouchon de tuyau de 1/4 po NPT	ST072915AV	1
27	Support du garde-courroie	--	1
28	Rondelle en laiton	ST070925AV	2
29	Bielle	TQ010901AJ	4
30	Ensemble piston et segments	TQ901700AV	4

ENSEMBLES DE PIÈCES DE RECHANGE

▲	Ensemble culasse et fixations	TQ900800AJ
■	Ensemble de joint d'étanchéité	TQ901001AJ
△	Non illustré	
*	Quincaillerie standard	
--	Pas disponible	

REMARQUES

Imprimé aux États-Unis

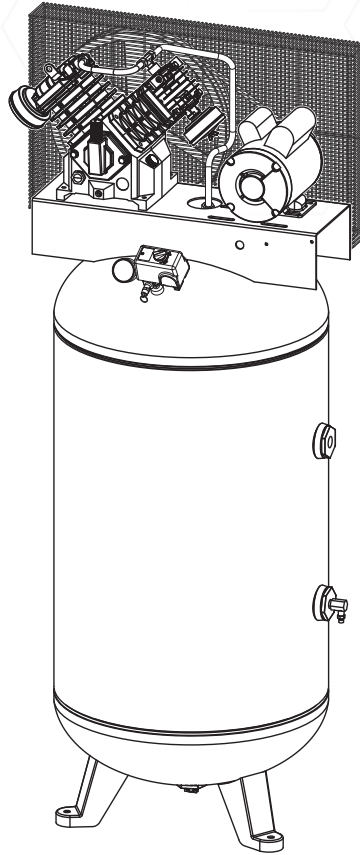
Kobalt® et le motif K&Design® sont des marques de commerce déposées de LF, LLC. Tous droits réservés.

kobalttools.com





NEXT GENERATION OF TOUGH TOOLS™



ARTÍCULO # 0048365

COMPRESORA DE AIRE ESTACIONARIO DE 303 LITROS

MODELO # TQ3126

Kobalt® y K&Design® son marcas registradas de LF, LLC. Todos los derechos reservados.

ADJUNTE SU RECIBO AQUÍ

Número de serie _____ Fecha de compra _____



¿Preguntas, problemas, piezas faltantes? Antes de volver a la tienda, comuníquese con nuestro Departamento de Servicio al Cliente al 1-888-3KOBALT (1-888-356-2258), de lunes a viernes, de 8:00 a.m. a 8:00 p.m., hora estándar del Este.

ÍNDICE

Pautas de seguridad	59
Información de seguridad	59
Contenido del paquete	62
Preparación	63
Instrucciones de instalación	64
Instrucciones de ensamblaje	68
Instrucciones de funcionamiento	70
Cuidado y mantenimiento	72
Solución de problemas	74
Garantía	78
Lista de piezas de repuesto	80

ESPECIFICACIONES DEL PRODUCTO

COMPONENTE	ESPECIFICACIONES
Modelo	TQ3126
HP	5
Número de cilindros	4
Suministro de aire a 90 PSI	0,453 M ³ /MIN
Voltaje	230 Voltios/ 19 Amperios
Presión Máxima	155 PSI

COMPONENTE	ESPECIFICACIONES
Capacidad de aceite	907 g.
Tamaño de la salida del tanque	NPT DE 3/4 in.
Largo	78,8 cm
Ancho	1,07 m
Altura	2,03 m
Peso	185,97 kg

PAUTAS DE SEGURIDAD

Lea y comprenda completamente este manual antes de intentar ensamblar, usar o instalar el producto. Si tiene preguntas relacionadas con el producto, llame al Departamento de Servicio al Cliente al 1-888-3KOBALT (1-888-356-2258), de lunes a viernes de 8:00 a.m. a 8:00 p.m., hora estándar del Este.

Este manual contiene información que es muy importante que conozca y comprenda. Esta información es proporcionada por razones de SEGURIDAD y para PREVENIR PROBLEMAS CON EL EQUIPO. Para ayudarle a reconocer esta información, preste atención a los siguientes símbolos.

PELIGRO

Peligro indica una situación de peligro inminente que, de no evitarse, OCASIONARÁ la muerte o lesiones graves.

PRECAUCIÓN

Precaución indica una situación potencialmente peligrosa que, de no evitarse, PODRÍA resultar en lesiones menores o moderadas.

ADVERTENCIA

Advertencia indica una situación potencialmente peligrosa que, de no evitarse, PUEDE resultar en la muerte o en lesiones graves.

AVISO

Aviso indica información importante que, de no seguirse, podría resultar en daños para el equipo.

INFORMACIÓN DE SEGURIDAD

PROPUESTA 65 DE CALIFORNIA

ADVERTENCIA

Manipule con Cuidado. Este producto o su cable eléctrico pueden contener sustancias químicas reconocidas por el estado de California como causantes de cáncer, defectos congénitos y otros daños en el aparato reproductivo. Lávese las manos después de manipularlo.

ADVERTENCIA



Utilice lentes de protección y máscara. Se puede producir polvo cuando corte, lije, taladre o muela materiales como madera, pintura, metal, concreto, cemento u otro tipo de mampostería. Este polvo a menudo contiene sustancias químicas reconocidas como causantes de cáncer, defectos congénitos u otros daños en el aparato reproductivo. Utilice equipo de protección.

SEGURIDAD GENERAL

Ya que la compresora de aire y otros componentes (bomba de material, pistolas de rocío, filtros, lubricantes, mangueras, etc.) utilizados crean un sistema de bombeo de alta presión, se deben seguir las siguientes precauciones de seguridad en todo momento:

1. Lea todos los manuales que se incluyen junto con este producto. Familiarícese por completo con los controles y el uso adecuado de este equipo.
2. Respete todos los códigos locales eléctricos y de seguridad, además de los Códigos nacional de electricidad (NEC, por sus siglas en inglés) y el de la Administración de Salud y Seguridad Ocupacional (OSHA, por sus siglas en inglés), en los EE.UU.
3. El compresor puede ser utilizado sólo por personas que estén bien familiarizadas con estas reglas de funcionamiento seguro.
4. Mantenga a los visitantes alejados y NUNCA permita niños en el área de trabajo.



INFORMACIÓN DE SEGURIDAD

SEGURIDAD GENERAL (Continuación)

5. Use gafas de seguridad y protección para los oídos al hacer funcionar la unidad.
6. No se suba a la unidad ni la utilice como soporte.
7. Antes de cada uso, inspeccione el sistema del compresor de aire comprimido y los componentes eléctricos para verificar si hay señales de daño, deterioro, debilidad o fuga. Antes del uso, repare o reemplace los artículos defectuosos.
8. Verifique que todos los sujetadores a intervalos frecuentes estén bien ajustados.
9. No use ropa holgada o joyas que pueden atraparse en las piezas en movimiento de la unidad.
10. Mantenga los dedos alejados de un compresor en funcionamiento; las partes móviles o calientes le causarán heridas o quemaduras.
11. Si el equipo comenzara a vibrar de manera anormal, DETENGA el motor y busque la causa de inmediato. Por lo general, la vibración advierte un problema.
12. Para reducir el peligro de incendio, mantenga el motor exterior libre de aceite, solvente o exceso de grasa.
13. Nunca intente regular la válvula de seguridad ASME. Mantenga la válvula de seguridad libre de pintura y otras acumulaciones.
14. El tanque se oxida por la acumulación de humedad, lo cual lo debilita. Asegúrese de drenar el tanque regularmente y de inspeccionarlo periódicamente para revisar si está en condiciones inseguras, como por ejemplo, si se ha formado óxido o si está corroído.
15. El aire que se mueve rápidamente puede remover polvo y desechos que pueden ser dañinos. Libere el aire lentamente cuando desagüe la humedad o despresurice el sistema compresor.

PELIGRO

Riesgo de lesiones personales. Este compresor / bomba NO está equipado y NO debe utilizarse "tal como está" para suministrar aire de calidad respirable. Para cualquier aplicación de aire para consumo humano, la compresora / bomba de aire deberá adaptarse con el equipamiento de seguridad y de alarma en línea adecuado. Este equipamiento adicional es necesario para filtrar y purificar adecuadamente el aire a fin de cumplir con las especificaciones mínimas de respiración de Grado D como lo describe la Especificación sobre materia prima de la Asociación de gas comprimido G 7.1, OSHA 29 CFR 1910. 134, y/o las Asociaciones estándar de Canadá (CSA, por sus siglas en inglés).

EXENCIÓN DE GARANTÍAS

En caso que el compresor sea utilizado para aplicaciones de aire respirable y que no se utilice simultáneamente un equipamiento de seguridad y de alarma en línea adecuado, quedan anuladas las garantías existentes y el fabricante no se hará responsable, en ningún caso, por cualquier pérdida, lesión personal o daño.

PELIGRO



Riesgo de explosión. ¡No intente nunca reparar ni modificar el tanque! Una soldadura, taladrado o cualquier otra modificación debilitará el tanque resultando en daños por ruptura o explosión. Reemplace siempre los tanques desgastados, agrietados o dañados.

ADVERTENCIA



Riesgo de incendio. Los motores, equipo eléctrico y controles pueden causar arcos eléctricos que encenderán gases o vapores inflamables. Nunca opere o repare cerca de gases o vapores inflamables. Nunca almacene líquidos o gases inflamables en las cercanías del compresor.

SEGURIDAD GENERAL (Continuación)

! ADVERTENCIA

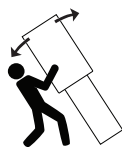
Riesgo de lesiones personales y/o daño del equipo. Nunca instale una válvula de cierre entre la bomba del compresor y el tanque.

! ADVERTENCIA



Riesgo de lesiones personales. Nunca opere el compresor sin un protector de la correa. Esta unidad puede funcionar automáticamente sin advertencia. Pueden ocurrir lesiones personales o daño a la propiedad debido al contacto con las partes móviles.

! ADVERTENCIA



Riesgo de lesiones personales. Este compresor es extremadamente pesado. La unidad se debe asegurar con pernos en el piso con almohadillas de aislamiento antes de hacerla funcionar, para prevenir el daño del equipo, lesiones o la muerte.

PRECAUCIÓN



Riesgo de lesiones personales. Las partes del compresor pueden estar calientes, aún si la unidad está detenida.

! ADVERTENCIA

Riesgo de explosión. Nunca utilice una tubería de plástico (PVC) para el aire comprimido. Podrían ocurrir lesiones graves o la muerte.

! ADVERTENCIA

Riesgo de explosión. Se DEBE instalar en el tanque para este compresor, una válvula de descarga de seguridad con código ASME con una configuración no mayor del máximo permitido para la presión de trabajo (MAWP, por sus siglas en inglés). La válvula de seguridad ASME debe tener rangos de flujo y presión suficientes para proteger los componentes presurizados contra explosiones.

PRECAUCIÓN

No sobrepresione. Vea la calcomanía de especificación del compresor para una presión máxima de funcionamiento. No lo encienda con un interruptor de presión o un juego de válvulas piloto mayores que la presión máxima de funcionamiento.

AVISO

Cuidado y mantenimiento de la unidad. Desagüe líquidos del tanque todos los días.

PRECAUCIONES DE ROCÍO

1. No fume cuando rocíe pinturas, insecticidas u otras sustancias inflamables.
2. Utilice una máscara / respirador al rociar y rocíe en un área bien ventilada para prevenir riesgos en la salud y de incendio.
3. No dirija pintura u otro material de rocío al compresor. Coloque el compresor lo más lejos posible del área de rocío para minimizar la acumulación de excesos en el compresor.

INFORMACIÓN DE SEGURIDAD

PRECAUCIONES DE ROCÍO (Continuación)

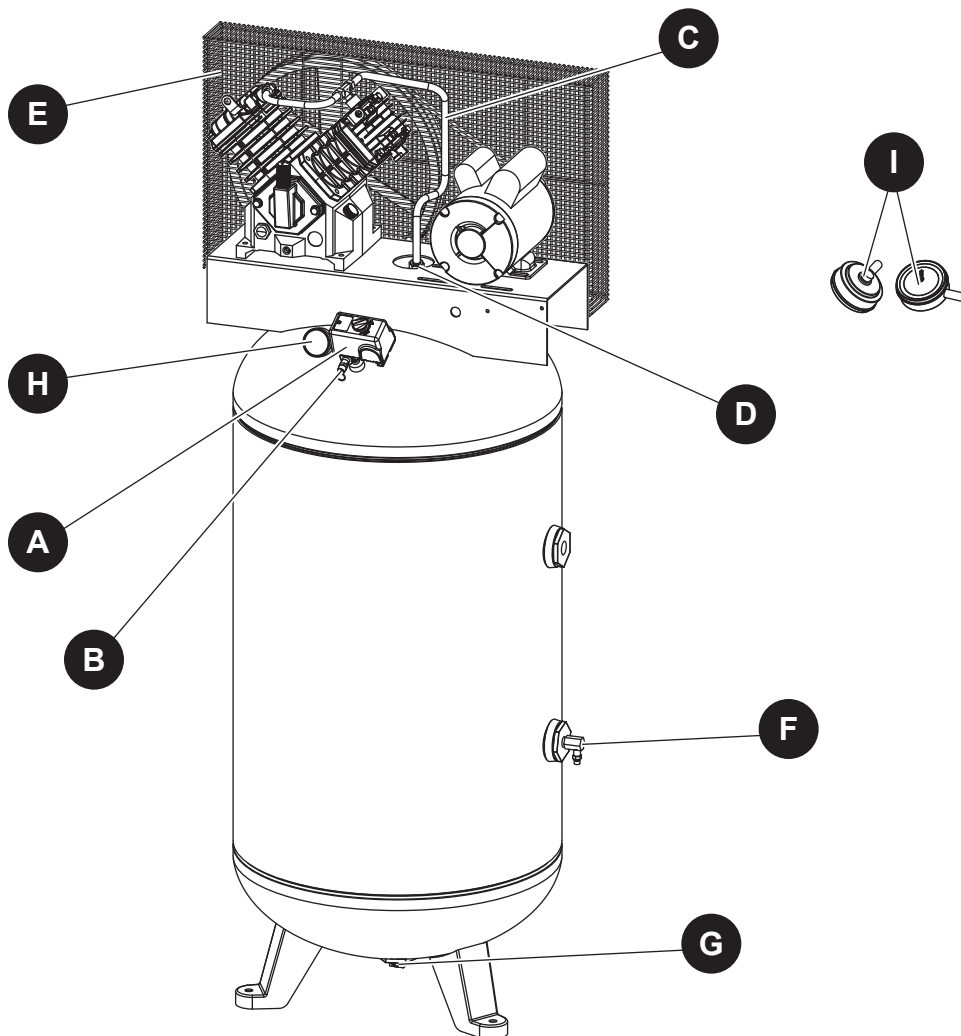
4. Cuando rocíe o limpie con solventes o químicos tóxicos, siga las instrucciones suministradas por el fabricante del producto químico.

ADVERTENCIA



Riesgo de incendio. No rocíe materiales inflamables en las cercanías de llamas abiertas o cerca de fuentes de ignición, incluyendo la unidad compresora.

CONTENIDO DEL PAQUETE



CONTENIDO DEL PAQUETE

PIEZAS	DESCRIPCIÓN	CANT.
A	Interruptor de presión - AUTOMÁTICO/APAGADO Interruptor - En la posición AUTOMÁTICO , el compresor se apaga automáticamente cuando el la presión del tanque alcanza la presión máxima preestablecida. Luego de que el aire del tanque se usa y cae a un nivel bajo preestablecido, el interruptor de presión enciende el motor automáticamente otra vez. En la posición APAGADO el compresor no funcionará. El interruptor debe estar en la posición APAGADO cuando se conecta o desconecta la energía de la unidad. Cuando el interruptor de presión apague el motor escuchará durante un breve tiempo, el aire que sale de la válvula de descarga del interruptor de presión. Esto libera la presión del aire del tubo de descarga y permite que el compresor se reinicie fácilmente.	1
B	Válvula de seguridad ASME - Esta válvula libera aire automáticamente si la presión del tanque excede el máximo preestablecido.	1
C	Tubo de descarga - Este tubo conduce aire comprimido desde la bomba a la válvula de control. El tubo alcanza temperaturas muy altas durante su uso. Para evitar el riesgo de quemaduras severas, nunca toque el tubo de descarga.	1
D	Válvula de control - Válvula de una sola vía que permite al aire entrar al tanque y evita que vuelva hacia la bomba del compresor.	1
E	Protección de la correa - Cubre la correa, la polea y el volante del motor.	1
F	Válvula de desagüe lateral - Use esta válvula para desaguar la humedad del tanque todos los días y así reducir el riesgo de corrosión.	1
G	Válvula de desagüe inferior - Use esta válvula para desaguar la humedad del tanque todos los días y así reducir el riesgo de corrosión.	1
H	Indicador de presión del tanque - Indica la cantidad de presión de aire almacenada en el tanque.	1
I	Filtro de aire - Mantiene las partículas grandes fuera del aire que fluye hacia el compresor.	2

PREPARACIÓN

Antes de comenzar a instalar y/o ensamblar el producto, asegúrese de tener todas las piezas. Compare las piezas con la lista del contenido del paquete. No intente ensamblar ni usar el producto si falta alguna pieza o si éstas están dañadas. Para obtener las piezas de repuesto y asistencia, póngase en contacto con el Departamento de Servicio al Cliente.

ADVERTENCIA

Riesgo de lesiones personales. No opere la unidad si se ha dañado durante el envío, manipulación o uso. Causaría una explosión y provocaría lesiones o daño a la propiedad.

Tiempo estimado de instalación y ensamblaje: 120 minutos

PREPARACIÓN

Herramientas necesarias para el ensamblaje y la instalación (no se incluyen): Gafas de seguridad; guantes de trabajo; juego de dados y torniquete de 1,43 cm; cinta métrica; martillo perforador y broca para mampostería; martillo; destornillador Phillips; destornillador de cabeza plana; llave para tubos; dos llaves ajustables; llave para tuercas de 0,64 cm, dado o llave inglesa; interruptor bipolar de 240 voltios/30 amperios; medidor de voltaje; almohadillas contra la vibración; anclaje en cuña para concreto de 0,9 cm x 12,7 cm

INSTRUCCIONES DE INSTALACIÓN

INSTALACIÓN DE LA UNIDAD

⚠ ADVERTENCIA

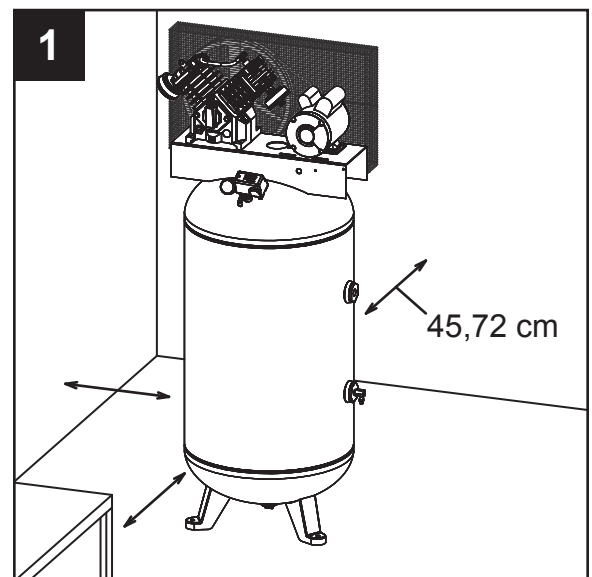
Riesgo de lesiones personales. No levante o mueva la unidad sin el equipo calificado en forma adecuada. Asegúrese que la unidad esté bien sujeta al dispositivo de elevación utilizado. No levante la unidad sosteniéndola sobre tubos o enfriadores. No utilice la unidad para levantar otro equipo adjunto.

AVISO

Este compresor no está diseñado para su instalación en exteriores.

Es muy importante instalar el compresor en un área limpia y bien ventilada donde la temperatura del aire circundante no sea más de 37,8 °C. No coloque la entrada de aire del compresor cerca de vapor, atomizadores de pintura o cualquier otra fuente de contaminación.

1. Desatornille la unidad del bastidor de sujeción. Utilice un torniquete con dados de 1,43 cm. Retire la unidad del bastidor. Esto necesita al menos dos personas – una para sacar la unidad del bastidor y la otra para ayudar a mantener el equilibrio, así la unidad no se vuelca. Coloque la unidad donde piensa instalarla (por lo menos a 45,72 cm de cualquier pared o superficie).



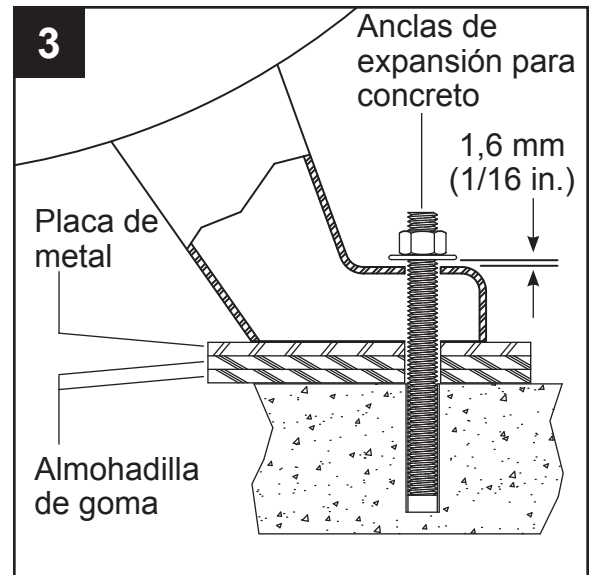
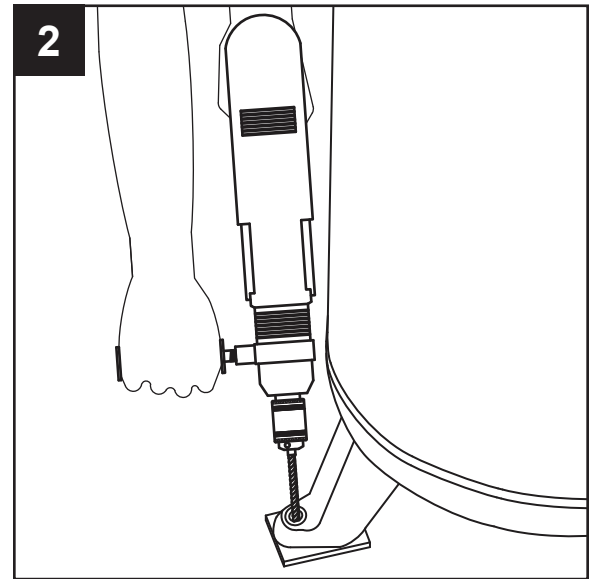
INSTRUCCIONES DE INSTALACIÓN

2. Coloque plantillas contra la vibración pretaladradas (se vende por separado) bajo cada base para evitar vibraciones innecesarias que podrían dañar la unidad.

Use como guía los orificios de montaje y los orificios de las almohadillas contra la vibración, taladre el concreto usando una broca para mampostería de 0,90 cm. Los orificios deben estar al menos a 12,7 cm en el concreto.

3. Introduzca pernos de montaje. Use anclaje en cuña de 0,90 cm x 12,70 cm (no incluidas) para asegurar la unidad. Coloque la tuerca y la arandela en el perno. Enrosque la tuerca en el perno hasta que las partes superiores queden al ras. Golpee el perno con un martillo hasta que la tuerca y la arandela estén ajustadas a la base del compresor.

Apriete la tuerca usando un torniquete con dados de 1,43 cm hasta que el ancla esté ajustada (use las especificaciones de la fuerza de torsión del perno que utiliza). Desajuste la tuerca para dejar una separación de 1,6 mm (1/16 in.) para liberación de tensión durante el funcionamiento de la unidad.



INSTALACIÓN ELÉCTRICA

⚠ PELIGRO



Riesgo de descarga. Los motores con conexión a tierra inadecuada poseen riesgo de descarga. Asegúrese de que todo el equipo esté debidamente conectado a tierra.

⚠ ADVERTENCIA

Riesgo de lesiones personales y/o propiedad personal. El cableado inadecuado da como resultado el sobrecalentamiento, cortocircuito y daño por fuego.

⚠ ADVERTENCIA



Riesgo de descarga. Todo el cableado y las conexiones eléctricas deben ser realizados por un electricista calificado familiarizado con los controles de motores industriales. Las instalaciones deben respetar los códigos locales y nacionales.

INSTRUCCIONES DE INSTALACIÓN

INSTALACIÓN ELÉCTRICA (Continuación)

⚠ ADVERTENCIA



Riesgo de explosión.

Desconecte, etiquete y bloquee la fuente de alimentación y libere toda la presión del sistema antes de intentar instalar, reparar, cambiar la ubicación o realizar cualquier tipo de mantenimiento.

AVISO

Cuidado y mantenimiento de la unidad.

El daño del motor debido a una conexión o voltaje eléctrico inadecuados, anularán la garantía.

PUESTA A TIERRA

Este producto debe tener una puesta a tierra. Instale el cableado permanente desde la fuente eléctrica al interruptor de presión con un conductor de puesta a tierra conectado al tornillo de puesta a tierra en el interruptor de presión. El usuario también puede instalar un cable del tamaño adecuado con un conductor de puesta a tierra y un enchufe.

CABLEADO

Los códigos de cableado eléctrico varían según el área. La fuente de cableado y el protector deben estar calificados con al menos el amperaje y voltaje indicados en la placa del motor y cumplir todos los códigos eléctricos para este mínimo. Utilice un fusible de acción retardada tipo T o un interruptor de circuito de dos polos de 240 voltios.

TAMAÑOS MÍNIMOS DEL CABLEADO (debe cumplir los códigos)

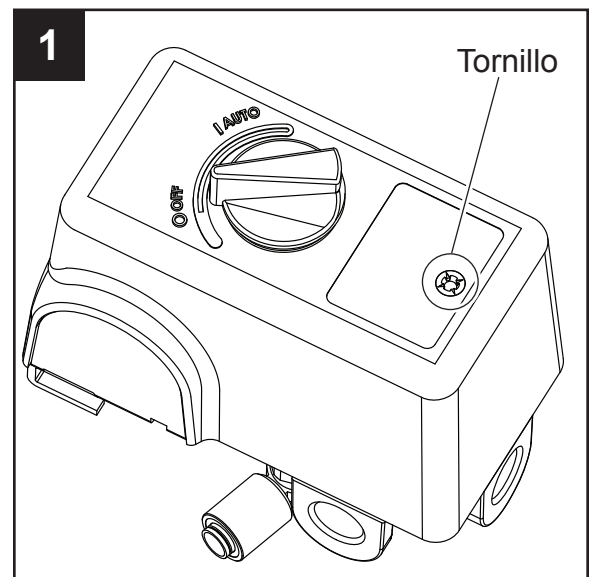
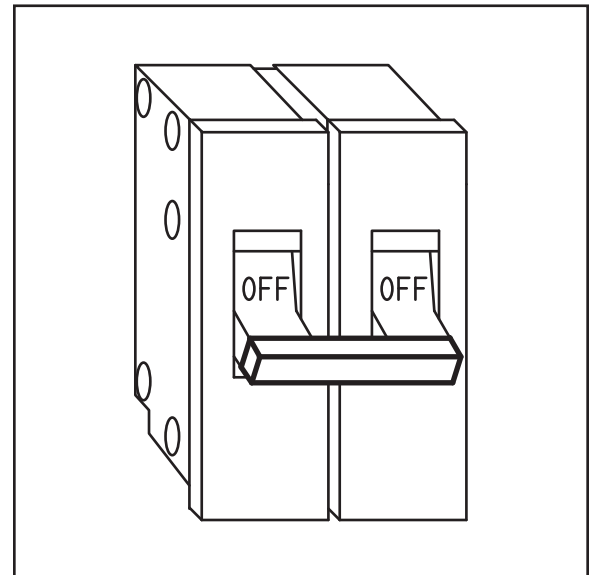
Hasta 22,86 metros de largo 10 AWG

1. Retire la cubierta del interruptor de presión soltando el tornillo (consulte la figura 1). Utilice un destornillador Phillips (no incluidas). Los estilos de interruptor de presión pueden variar.

⚠ ADVERTENCIA

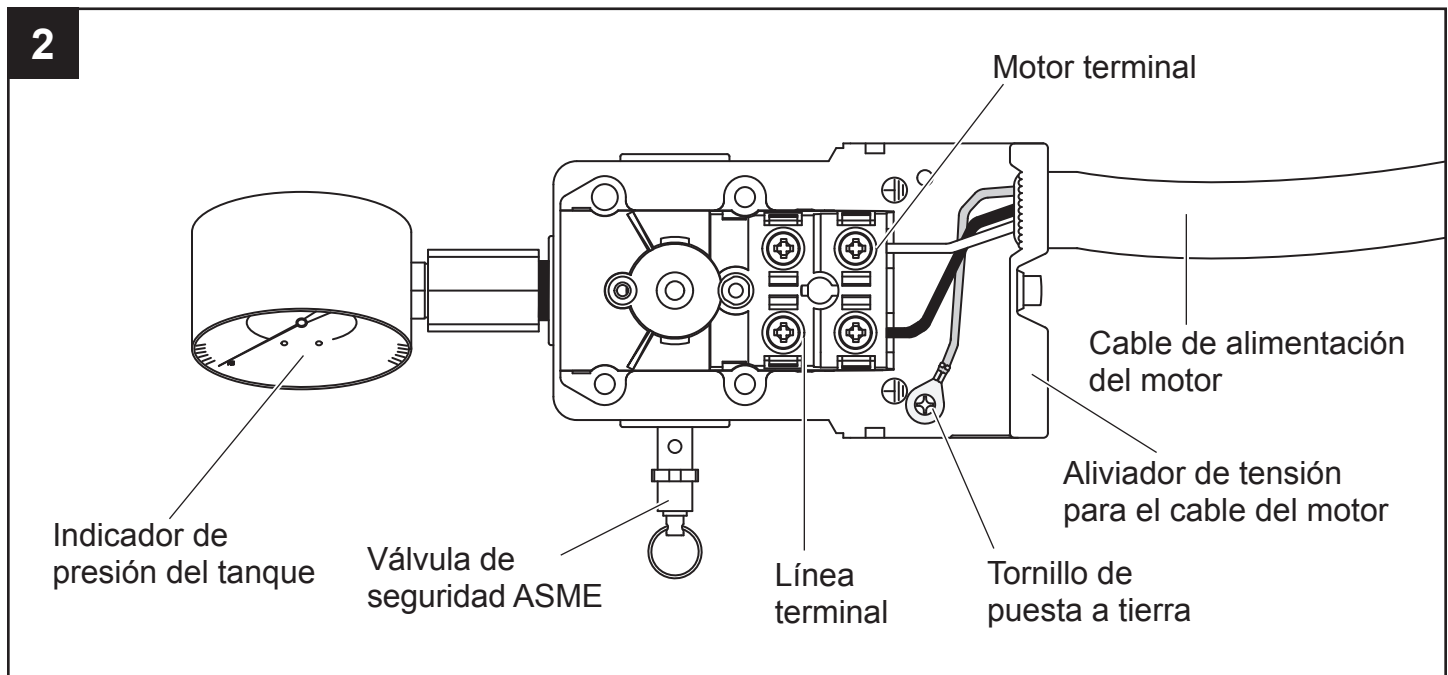


Riesgo de descarga. Todo el cableado y las conexiones eléctricas deben ser realizados por un electricista calificado familiarizado con los controles de motores industriales. Las instalaciones deben respetar los códigos locales y nacionales.



INSTRUCCIONES DE INSTALACIÓN

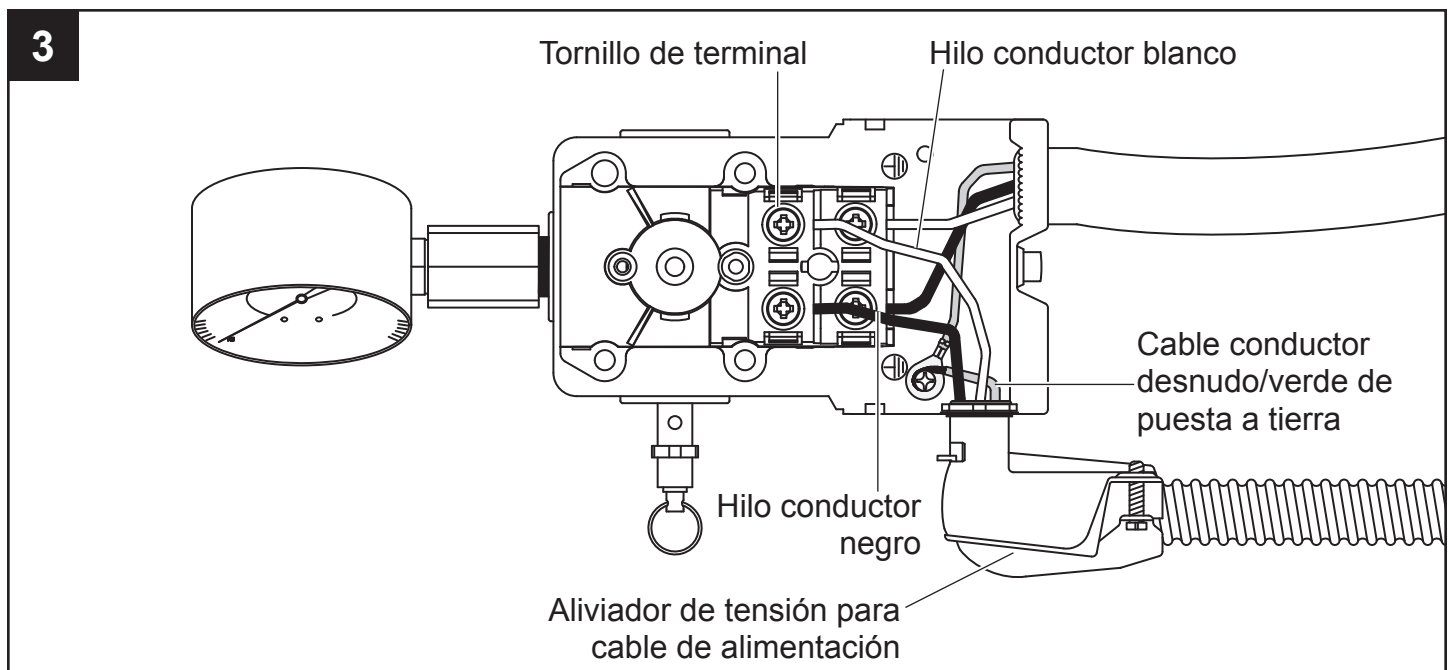
2. Una vez quitada la cubierta, familiarícese con el interruptor de presión.



3. Quite el tornillo de puesta a tierra. Instale un aliviador de tensión en el interruptor de presión. **NO** apriete el aliviador de tensión al cable de alimentación hasta que el cableado esté completo. Introduzca los conductores desnudos (negro, blanco, desnudo/verde) a través del aliviador de tensión.

Fije el cable de puesta a tierra desnudo/verde al tornillo de puesta a tierra en el cuerpo del interruptor de presión.

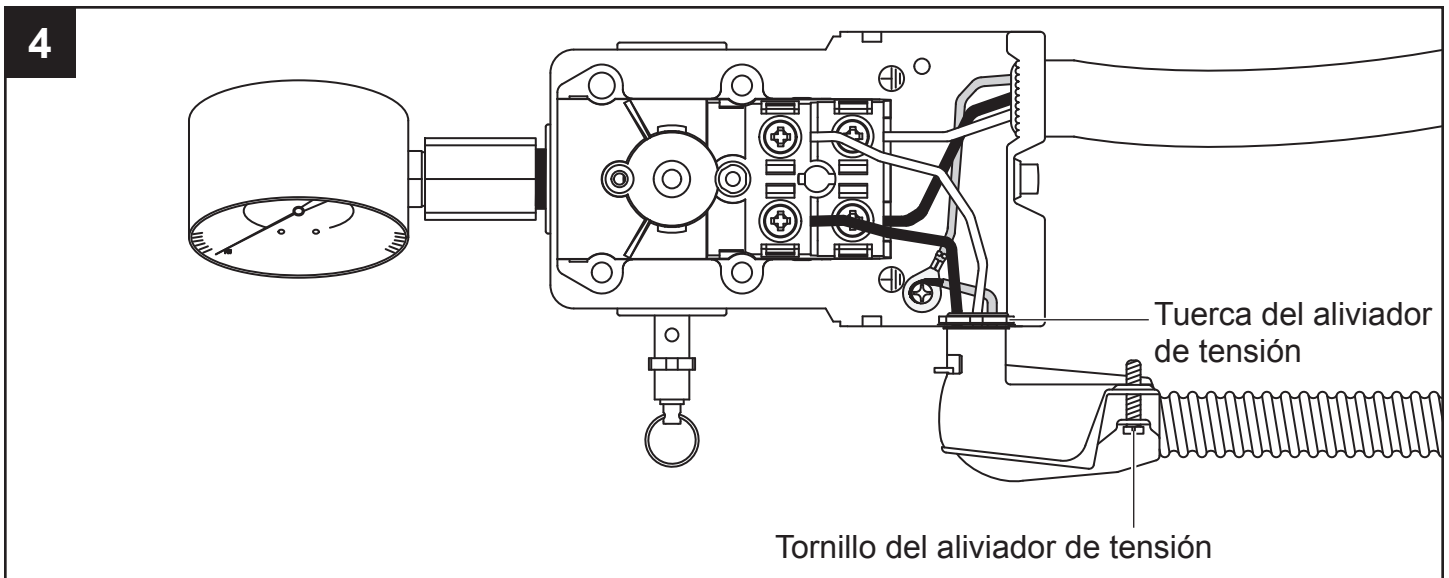
Busque las marcas de "hilo" en el interruptor de presión. Instale los alambres de línea y ajuste los tornillos terminales.



INSTRUCCIONES DE INSTALACIÓN

4. Apriete la tuerca del aliviador de tensión. Coloque un destornillador de cabeza plana (no incluidas) en las muescas elevadas y golpéelo con un martillo (no incluidas) hasta que esté apretado.

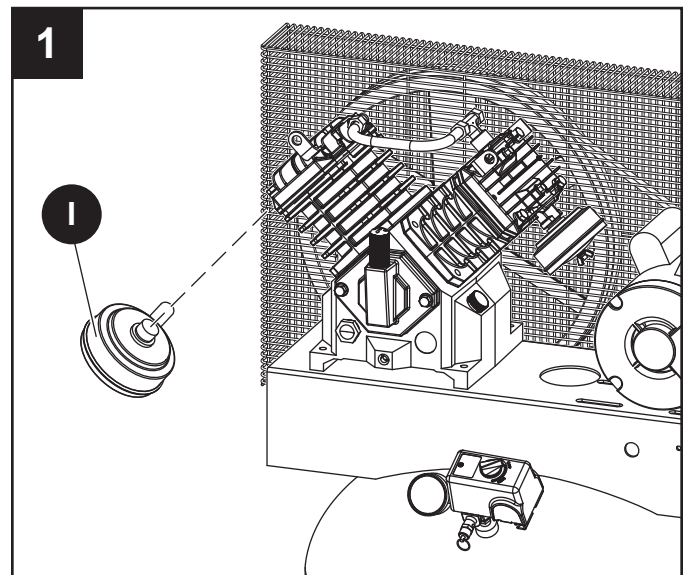
Apriete los tornillos del aliviador de tensión para sujetar en forma segura el cable de alimentación. Reemplace la cubierta del interruptor de presión (la perilla debe estar en la misma posición que cuando fue quitada para colocarla en su lugar correctamente). Apriete el tornillo del interruptor de presión con un destornillador Phillips. Revise que el interruptor esté en la posición de APAGADO. Siga el procedimiento básico en página 70.



INSTRUCCIONES DE ENSAMBLAJE

FILTRO

Instale filtros de aire (I) en la bomba.
Los estilos de filtros pueden variar.



INSTRUCCIONES DE ENSAMBLAJE

LUBRICACIÓN

PRECAUCIÓN

Inspeccione antes de usar. ¡Antes de ponerlo en funcionamiento verifique que tenga el nivel de aceite adecuado!

Retire la cubierta de la bomba. Verifique el nivel de aceite; algunos modelos se envían con aceite en la bomba. Consulte la etiqueta de especificación en la bomba del compresor para tener información sobre la capacidad y tipo de aceite.

INFORMACIÓN DEL ACEITE

Aceite para compresora de aire Kobalt	SKU 221008
Aceite con mezcla sintética Kobalt	SKU 221009
Mobil 1® sintético 10W30	
Capacidad de aceite	0,90 kg

No utilice aceite común para automóviles. Los aditivos del aceite común de motor pueden causar depósitos en la válvula y reducir la vida útil de la bomba.

Para una máxima vida útil de la bomba, desagüe y reemplace el aceite luego de la primera hora de funcionamiento.

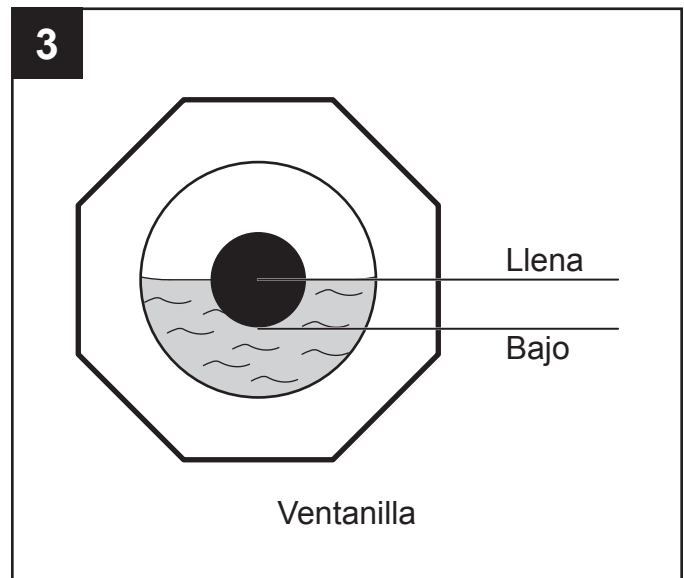
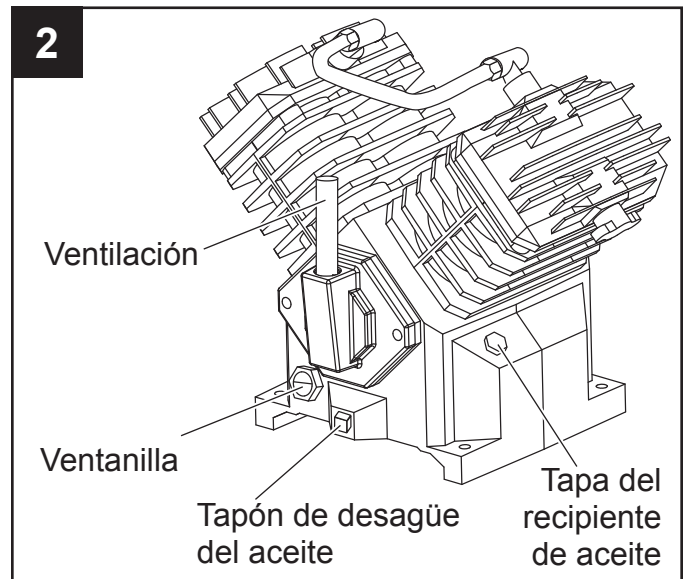
Esta bomba tiene una ventanilla para ver el aceite, como se muestra en la figura 2. El nivel de aceite se puede monitorear y mantener como se muestra en la figura 3.

TUBERÍAS

⚠️ ADVERTENCIA

Riesgo de lesiones personales. Nunca utilice una tubería de plástico (PVC) para el aire comprimido. Podrían ocurrir lesiones graves o la muerte.

Todo tubo, tubería o manguera que se utilice debe tener un índice de presión mayor a 175 PSI. El mínimo recomendado para el tamaño de la tubería es de 1,90 cm. Siempre se recomienda una tubería de mayor diámetro.



INSTRUCCIONES DE FUNCIONAMIENTO

ARRANQUE / PROCEDIMIENTO BÁSICO

⚠ ADVERTENCIA

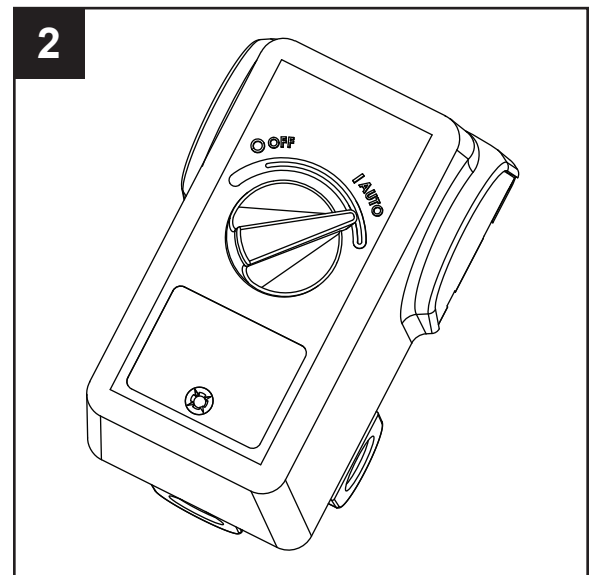
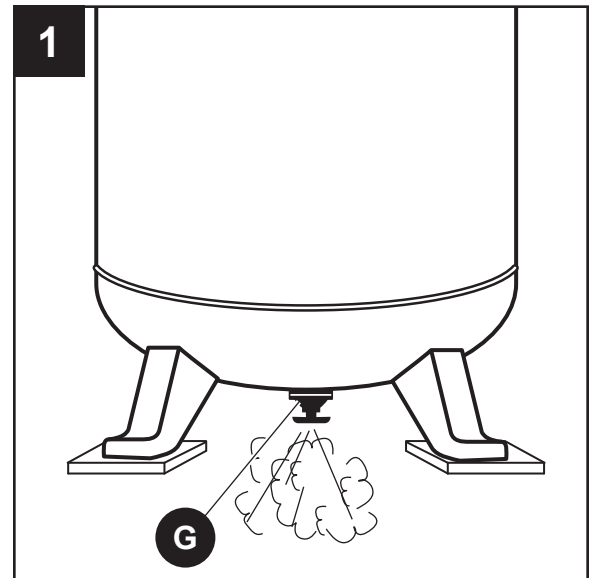
Riesgo de lesiones personales. No utilice herramientas neumáticas para abrir el extremo de la manguera hasta que se complete el arranque y la revisión de la unidad esté correcta.

1. Devuelva la energía a la unidad desde la entrada principal.
2. Verifique el nivel de aceite según las instrucciones de la sección de lubricación de este manual.
3. Abra la válvula de desagüe (G) (consulte la figura 1). Gire la válvula de salida para abrir el flujo de aire.

4. Mueva el interruptor de presión a la posición de **AUTOMÁTICO** para hacer funcionar la unidad (consulte la figura 2).
5. Haga funcionar la unidad por treinta (30) minutos a cero (0) PSI (sin carga) para asentar las partes de la bomba.
6. Mueva la palanca o perilla del interruptor de presión a la posición de **APAGADO** y gire la válvula de desagüe del tanque para cerrar el flujo de aire. El compresor está listo para usarse.
7. Cambie el aceite después de las primeras cincuenta (50) horas de funcionamiento. Cambie el aceite cada tres (3) meses.

⚠ ADVERTENCIA

Riesgo de lesiones personales. ¡Nunca desconecte las uniones roscadas con presión en el tanque!



INSTRUCCIONES DE FUNCIONAMIENTO

CICLOS DE ENCENDIDO/APAGADO DEL COMPRESOR

⚠ ADVERTENCIA

Riesgo de desborde. Desagüe el tanque a diario para prevenir la corrosión y posibles lesiones debido a daños en el tanque. Para el óptimo funcionamiento del desagüe del tanque, la presión del tanque debe estar entre 10 y 40 PSI. No opere el desagüe con más de 40 PSI en el tanque, de lo contrario, la válvula de desagüe puede dañarse. Desagüe el tanque de humedad todos los días usando la válvula de desagüe lateral o inferior del tanque.

AVISO

Cuidado y mantenimiento de la unidad.
Desagüe líquidos del tanque todos los días.

En la posición **AUTOMÁTICO** el compresor bombea aire al tanque. Cuando se alcanza la presión de apagado ("presión de apagado" preestablecida), el compresor se apagará automáticamente.

Si se deja el compresor en la posición de **AUTOMÁTICO** y el aire se agota por el uso de un regulador para neumáticos, herramienta, etc., el compresor se reiniciará automáticamente en la "presión de encendido" preestablecida. Cuando se utiliza una herramienta en forma continua, el compresor alternará automáticamente entre encendido y apagado.

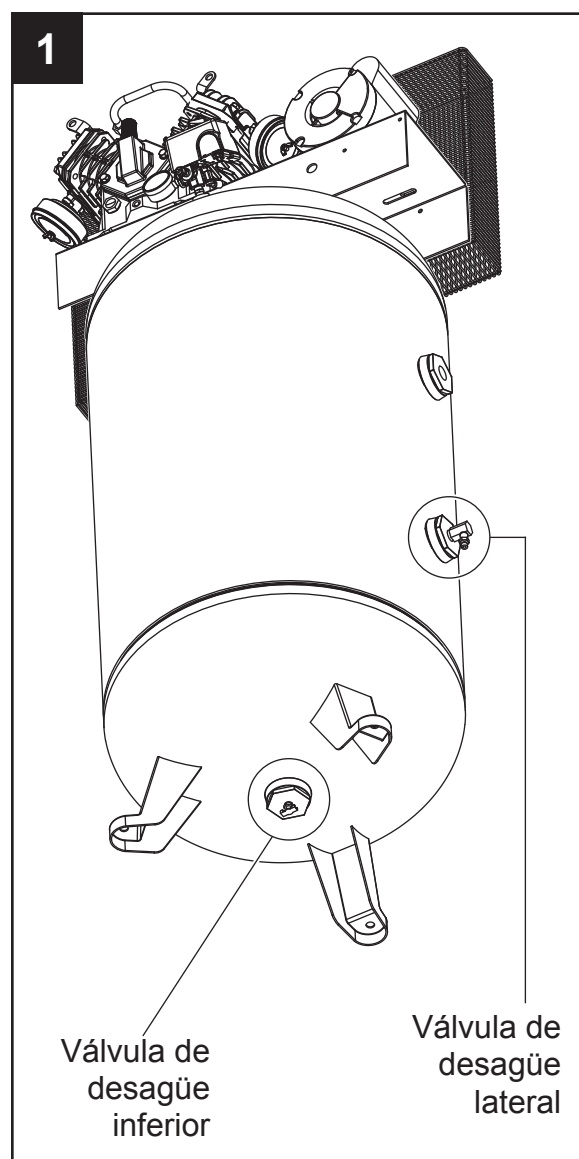
En la posición **APAGADO** el compresor no funcionará.

Desagüe el tanque. Desconecte, etiquete y bloquee la fuente de alimentación; libere la presión. Desagüe la humedad del tanque abriendo la válvula de desagüe debajo o al lado del tanque (consulte la figura 1).

HUMEDAD EN EL AIRE COMPRIMIDO

La humedad en el aire comprimido se convertirá en gotas a medida que llega de la bomba compresora de aire. Cuando la humedad es alta o cuando el compresor está en uso continuo por un largo período de tiempo, esta humedad se juntará en el tanque. Cuando se utiliza un atomizador de pintura, pistola de aspersión de arena, el agua se movilizará desde el tanque a través de la manguera y fuera de la pistola en forma de gotas mezcladas con el material de rociado.

IMPORTANTE: Esta condensación causará manchas de agua en un trabajo de pintura, especialmente cuando se rocía sobre otras pinturas a base de agua. Si se hace aspersión de arena, la arena se endurecerá y obstruirá la pistola, haciéndola ineficaz. Un filtro en la línea de aire, ubicado tan cerca de la pistola como sea posible, ayudará a eliminar la humedad.



⚠ ADVERTENCIA



Riesgo de explosión.

Desconecte, etiquete y bloquee la fuente de alimentación y libere toda la presión del sistema antes de intentar instalar, reparar, cambiar la ubicación o realizar cualquier tipo de mantenimiento.

AVISO

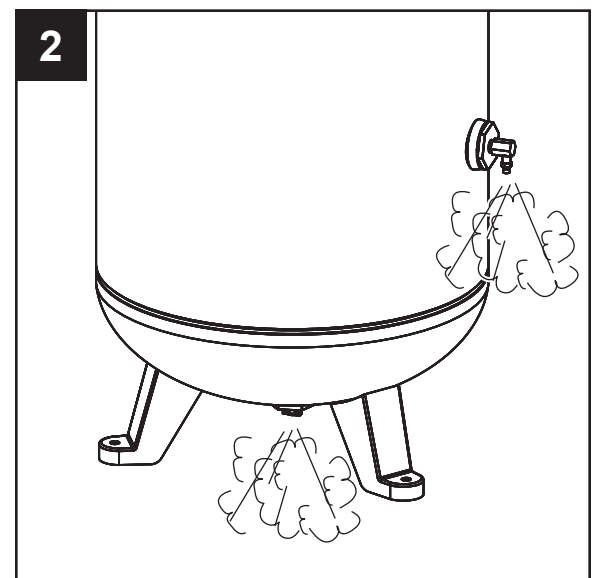
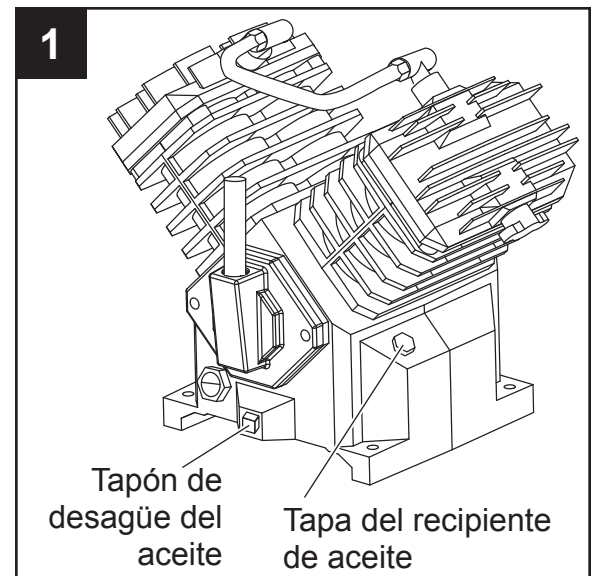
Cuidado y mantenimiento de la unidad.

Desagüe líquidos del tanque todos los días.

Todas las reparaciones deben ser hechas por un representante de servicio autorizado.

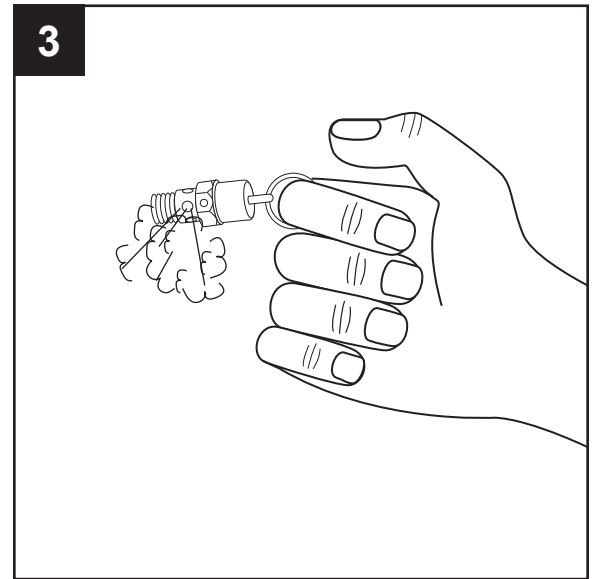
Para un funcionamiento eficaz, realice el siguiente mantenimiento.

1. Desconecte, etiquete y bloquee la fuente de alimentación; limpie la suciedad del motor, volante, tanque, líneas de aire y las aletas disipadoras de calor de la bomba.
2. Mantenga el aceite en el nivel adecuado. Consulte la sección lubricación para conocer los detalles.
3. Cambie el aceite.
 - a. Permita al compresor funcionar y calentar el aceite. Desconecte, etiquete y bloquee la fuente de alimentación.
 - b. Coloque un recipiente debajo de la bomba.
 - c. Retire el tapón de desagüe del aceite (consulte la figura 1). Permita que el aceite se junte en el recipiente.
 - d. Reemplace el tapón de desagüe, llene la bomba hasta el nivel completo (consulte la figura 1). Consulte la sección de lubricación de este manual.
4. Desagüe el tanque. Desconecte, etiquete y bloquee la fuente de alimentación; libere la presión. Desagüe la humedad del tanque abriendo la válvula de desagüe debajo o al lado del tanque (consulte la figura 2).
5. Verifique el filtro de aire para asegurarse de que esté limpio. Si el filtro está sucio, reemplácelo con un nuevo filtro.



CUIDADO Y MANTENIMIENTO

6. Revise la válvula de seguridad realizando los siguientes pasos:
 - a. Restituya la energía a la unidad, gire el interruptor de presión a la posición de **AUTOMÁTICO**. Haga funcionar la unidad hasta que alcance los 90 PSI. Gire el interruptor de presión a la posición de **APAGADO**.
 - b. Use gafas de seguridad y protección para los oídos, tire el anillo de la válvula de seguridad para liberar la presión del tanque del compresor. Protéjase del aire que se libera rápidamente; no permita que vaya directamente a su rostro (consulte la figura 3).
 - c. La válvula de seguridad se debe cerrar automáticamente entre aproximadamente 40 a 50 PSI. Si la válvula de seguridad no deja salir el aire cuando jala el anillo, o no cierra automáticamente, se DEBE reemplazar.
7. Verifique la correa en busca de uso excesivo. Si la correa muestra signos de uso, reemplácela. Verifique la correa para una alineación/de tensión adecuada.



SERVICIO TÉCNICO

Para obtener información relacionada con el funcionamiento o reparación de este producto, llame al 1-888-3KOBALT (1-888-356-2258).

PROGRAMA DE MANTENIMIENTO				
FUNCIONAMIENTO	DIARIO	SEMANAL	UNA VEZ AL MES	3 MESES
REVISE EL NIVEL DE ACEITE	●			
DESAGÜE EL TANQUE	●			
VERIFIQUE EL FILTRO DE AIRE		●		
VERIFIQUE LA VÁLVULA DE SEGURIDAD		●		
LIMPIE LA UNIDAD			●	
VERIFIQUE LA SUJECIÓN DE LA CORREA			●	
CAMBIE EL ACEITE*				●

* Cambie el aceite después de las primeras cincuenta (50) horas de funcionamiento y posteriormente cambie el aceite cada tres (3) meses.

SOLUCIÓN DE PROBLEMAS

PROBLEMA	CAUSA POSIBLE	ACCIÓN CORRECTIVA
Baja presión de descarga	<ol style="list-style-type: none"> 1. La demanda de aire excede la capacidad de la bomba 2. Entrada de aire restringida 3. Fugas de aire (conectores, tuberías del compresor, o plomería exterior al sistema) 4. Las empaquetaduras están quemadas 5. Válvulas tienen fugas o están dañadas 	<ol style="list-style-type: none"> 1. Reduzca la demanda de aire o utilice un compresor con más capacidad. 2. Limpie o reemplace el filtro de aire. 3. Escuche el aire escapando. Aplique solución jabonosa en todos los conectores y conexiones. Aparecerán burbujas en los puntos de fuga. Apriete la conexión o reemplace los conectores o conexiones que presentan fuga. Utilice cinta selladora para roscas. 4. Reemplace las empaquetaduras que presentan fallas en la inspección. 5. Retire el cabezal y revise que no haya quebraduras en la válvula, válvulas desalineadas, asientos de válvulas dañados, etc. Reemplace las partes defectuosas y vuelva a ensamblar. <div style="background-color: black; color: white; padding: 5px; text-align: center; font-weight: bold; font-size: 1.2em;">PRECAUCIÓN</div> <div style="border: 1px solid black; padding: 5px; margin-top: 5px;"> <p>Cuidado y mantenimiento de la unidad. Instale una nueva empaquetadura del cabezal cada vez que se retira el cabezal.</p> </div>
Hay exceso de ruido (golpeteo)	<ol style="list-style-type: none"> 1. La polea del motor o el volante están sueltos 2. Sujetadores sueltos en la bomba o el motor 3. Falta de aceite en el cigüeñal 4. Varilla de conexión gastada 5. Envolturas del pasador del pistón gastadas 6. El pistón golpea la placa de la válvula 	<ol style="list-style-type: none"> 1. Apriete los pernos de la abrazadera y tornillos de fijación de la polea/volante. 2. Apriete los sujetadores. 3. Verifique que el nivel de aceite esté correcto; si es bajo, verifique posibles daños a los cojinetes. El aceite sucio puede causar desgaste excesivo. 4. Reemplace la varilla de conexión. Mantenga el nivel de aceite y cámbielo con más frecuencia. 5. Retire los ensamblajes del pistón del compresor y revise para comprobar si hay desgaste excesivo. De ser necesario, reemplace los pistones o el pasador del pistón excesivamente gastados. Mantenga el nivel de aceite y cámbielo con más frecuencia. 6. Quite el cabezal del compresor y la placa de la válvula y compruebe si hay depósitos de carbón u otras materias extrañas en la parte superior del pistón. Reemplace el cabezal y la placa de la válvula. Consulte la sección lubricación para conocer el aceite recomendado.

SOLUCIÓN DE PROBLEMAS

PROBLEMA	CAUSA POSIBLE	ACCIÓN CORRECTIVA
Hay exceso de ruido (golpeteo) (Continuación)	7. Válvula de control ruidosa en el sistema del compresor	7. Reemplace la válvula de control. <div style="border: 1px solid black; padding: 5px; background-color: #f0f0f0;"> <p style="text-align: center;">⚠ PELIGRO</p> <p>Riesgo de explosión. No desensamble la válvula de control cuando haya presión de aire en el tanque.</p> </div>
Gran cantidad de aceite en el aire de descarga NOTA: En un compresor lubricado con aceite, siempre habrá una pequeña cantidad de aceite en la corriente de aire.	1. Anillos del pistón desgastados 2. Entrada de aire del compresor restringida 3. Exceso de aceite en el compresor. 4. Viscosidad del aceite incorrecta	1. Reemplácelos por anillos nuevos. Mantenga el nivel de aceite y cámbielo con más frecuencia. 2. Limpie o reemplace el filtro. Verifique si hay otras restricciones en la entrada del sistema. 3. Desagüe hasta el nivel completo. 4. Utilice Mobil 1® 10W-30 o sintético completo.
Agua en la descarga aire/ tanque	Funcionamiento normal. La cantidad de agua aumenta con el clima húmedo	1. Desagüe el tanque más seguido. Al menos a diario. 2. Agregue un filtro para reducir la cantidad de agua en la línea de aire.
El motor silba y funciona lentamente o no lo hace	1. El voltaje es bajo 2. Muchos dispositivos en el mismo circuito 3. Suelte las conexiones eléctricas 4. El interruptor de presión está defectuoso – los contactos no cerrarán	1. Revise el ingreso de voltaje. Debe ser de 230 voltios aproximadamente. El motor no funcionará correctamente a 208 voltios. El voltaje bajo puede deberse a que los conductores (desde la fuente eléctrica hasta el compresor) son de diámetro muy pequeño y/o muy largos. Haga que los verifique un electricista calificado y realice las reparaciones si es necesario. 2. Limite el circuito sólo para el uso del compresor. 3. Revise todas las conexiones eléctricas. 4. Reemplace el interruptor de presión.

SOLUCIÓN DE PROBLEMAS

PROBLEMA	CAUSA POSIBLE	ACCIÓN CORRECTIVA
El motor silba y funciona lentamente o no lo hace (Continuación)	5. La válvula de control está defectuosa.	5. Reemplace la válvula de control. <div style="border: 1px solid black; padding: 5px; background-color: #f0f0f0;"> <p style="text-align: center;">⚠ PELIGRO</p> <p>Riesgo de explosión. No desensamble la válvula de control cuando haya presión de aire en el tanque.</p> </div>
	6. La válvula de descarga del interruptor de presión está defectuosa	6. Reemplace la válvula de descarga.
	7. El(los) capacitor(es) del motor está defectuoso.	7. Reemplace el(los) capacitor(es).
	8. El motor está defectuoso	8. Reemplace el motor.
El mecanismo de reinicio de corta repetidas veces o el interruptor de circuito se dispara repetidas veces	1. Falta de ventilación adecuada/la temperatura ambiente es demasiado alta	1. Mueva el compresor a un área bien ventilada.
	2. Muchos dispositivos en el mismo circuito	2. Limite el circuito sólo para el uso de la compresora de aire.
	3. Entrada de aire restringida	3. Limpie o reemplace el filtro.
	4. Suelte la conexión eléctrica	4. Revise todas las conexiones eléctricas.
	5. El interruptor de presión de apagado está ajustado en un nivel muy elevado	5. Reemplace el interruptor de presión.
	6. La válvula de control está defectuosa	6. Reemplace la válvula de control. <div style="border: 1px solid black; padding: 5px; background-color: #f0f0f0;"> <p style="text-align: center;">⚠ PELIGRO</p> <p>Riesgo de explosión. No desensamble la válvula de control cuando haya presión de aire en el tanque.</p> </div>
	7. La válvula de descarga del interruptor de presión está defectuosa	7. Reemplace la válvula de descarga.
	8. El(los) capacitor(es) del motor está defectuoso	8. Reemplace el(los) capacitor(es).
	9. El motor está defectuoso	9. Reemplace el motor.

SOLUCIÓN DE PROBLEMAS

PROBLEMA	CAUSA POSIBLE	ACCIÓN CORRECTIVA
El tanque no mantiene la presión cuando el compresor está apagado y la válvula de apagado está cerrada	<ol style="list-style-type: none"> 1. Fugas de aire (conectores, tuberías del compresor, o plomería exterior de sistema) 2. Válvula de control desgastada 	<ol style="list-style-type: none"> 1. Compruebe todas las conexiones con una solución de agua jabonosa. Apriete; o quite y aplique sellador para roscas, luego vuelva a ensamblar. 2. Reemplace la válvula de control. <div style="border: 1px solid black; padding: 5px; margin-top: 10px;"> <p style="text-align: center;">⚠ PELIGRO</p> <p>Riesgo de explosión. No desensamble la válvula de control cuando haya presión de aire en el tanque.</p> </div> <ol style="list-style-type: none"> 3. Reemplace el tanque. Nunca repare un tanque dañado.
El interruptor de presión sopla aire continuamente fuera de la válvula de descarga	La válvula de control está defectuosa	<p>Reemplace la válvula de control si la válvula de descarga del interruptor de presión se purga constantemente cuando la unidad se cierra.</p> <div style="border: 1px solid black; padding: 5px; margin-top: 10px;"> <p style="text-align: center;">⚠ PELIGRO</p> <p>Riesgo de explosión. No desensamble la válvula de control cuando haya presión de aire en el tanque.</p> </div>
El interruptor de presión no libera aire cuando la unidad se cierra	La válvula de descarga del interruptor de presión está defectuosa	<p>Reemplace la válvula de descarga si no libera la presión por un corto período de tiempo cuando la unidad se apaga.</p> <div style="border: 1px solid black; padding: 5px; margin-top: 10px;"> <p style="text-align: center;">⚠ PELIGRO</p> <p>Riesgo de explosión. No desensamble la válvula de descarga cuando haya presión de aire en el tanque.</p> </div>
Vibración excesiva	<ol style="list-style-type: none"> 1. Sujetadores sueltos en la bomba o el motor 2. La correa necesita ser reemplazada 3. Alineación de la correa 	<ol style="list-style-type: none"> 1. Apriete los sujetadores. 2. Reemplácela por una de la medida correcta. 3. Alinee el volante y la polea.

GARANTÍA

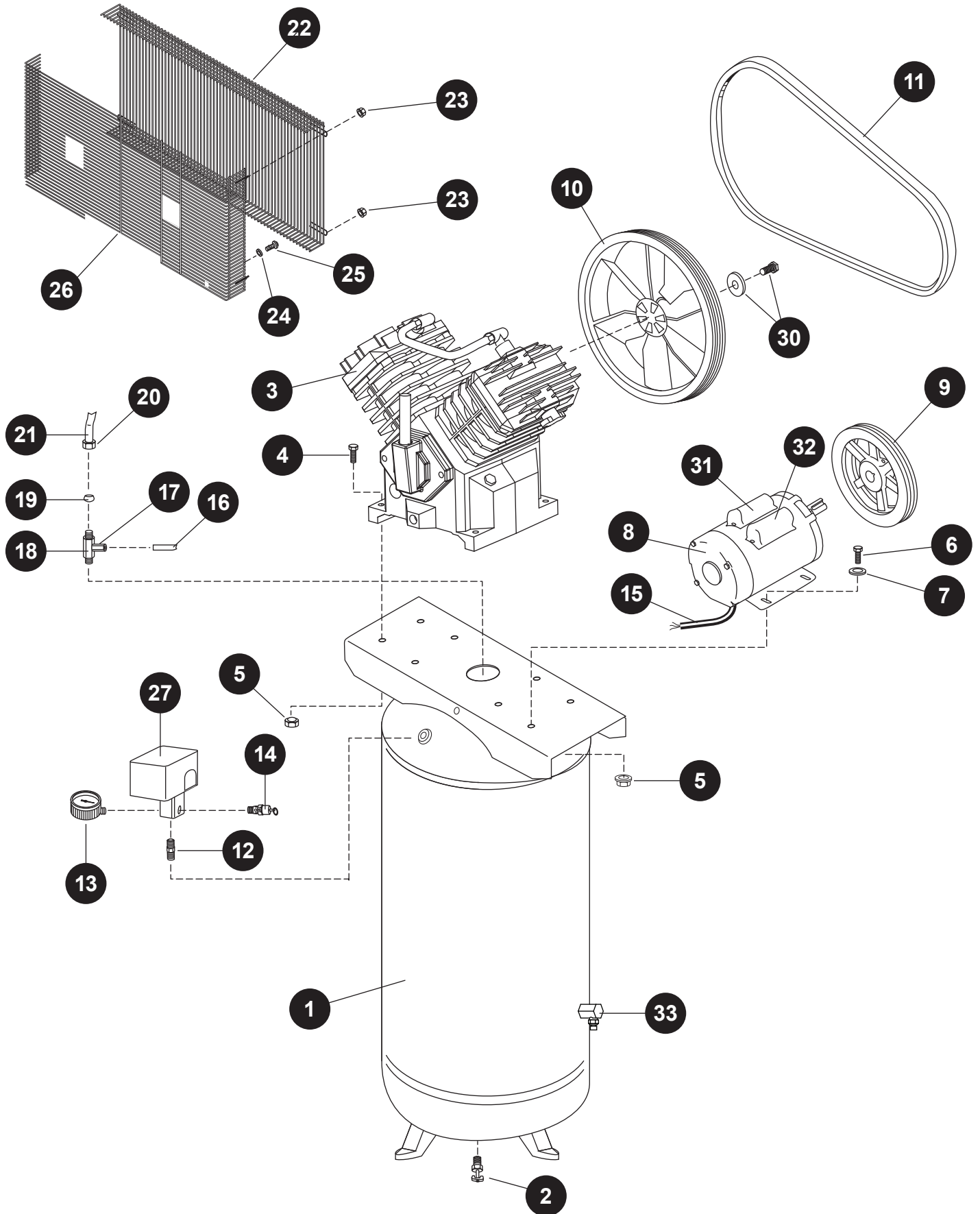
1. DURACIÓN: Por el comprador desde la fecha de compra, de la siguiente manera: Tres años.
2. QUIÉN EMITE ESTA GARANTÍA: Campbell Hausfeld/Scott Fetzer Company, 100 Production Drive, Harrison, Ohio, 45030.
3. QUIÉN RECIBE ESTA GARANTÍA (COMPRADOR): El comprador original (para otro fin que no sea la reventa) del compresor.
4. QUÉ PRODUCTOS CUBRE ESTA GARANTÍA: Esta compresora de aire.
5. QUÉ CUBRE ESTA GARANTÍA: Las piezas y mano de obra para solucionar los defectos importantes que presente de material y de fabricación durante el primer año de propiedad con las excepciones que se indican a continuación. Las piezas sólo para solucionar los defectos importantes que presente de material y de fabricación durante el tiempo restante de cobertura con las excepciones que se indican a continuación.
6. QUÉ NO CUBRE ESTA GARANTÍA:
 - A. Las garantías implícitas, incluidas las de comerciabilidad e IDONEIDAD PARA UN FIN EN PARTICULAR, SE LIMITAN A PARTIR DE LA FECHA DE LA COMPRA ORIGINAL DE ACUERDO CON LO ESPECIFICADO EN EL PÁRRAFO DE DURACIÓN. Si el compresor se utiliza para propósitos industriales o comerciales o de alquiler, la garantía anterior se aplicará por noventa (90) días a partir de la fecha de compra. Los compresores con cuatro cilindros de una fase y compresores de dos fases no están limitados a una garantía de noventa (90) días cuando se utilizan para aplicaciones comerciales o industriales. Algunos estados no permiten limitaciones sobre la duración de una garantía implícita, de modo que las limitaciones antes descritas puede que no se apliquen en su caso.
 - B. CUALQUIER PÉRDIDA, DAÑO O GASTO ACCIDENTAL, INDIRECTO O RESULTANTE, QUE SE ORIGINE POR DEFECTO, FALLA O FUNCIONAMIENTO INCORRECTO DEL PRODUCTO CAMPBELL HAUSFELD. Algunos estados no permiten la exclusión o limitaciones de los daños accidentales o resultantes, de modo que la exclusión o limitación anterior puede que no se aplique en su caso.
 - C. Cualquier falla que se origine de un accidente, abuso del comprador, negligencia o falla para operar los productos de acuerdo con las instrucciones provistas en el manual(es) del propietario suministrado con el compresor.
 - D. Servicio de preentrega, por ej. ensamblado, aceite o lubricantes, y ajustes.
 - E. Artículos o servicio que se necesitan normalmente para mantener el producto, por ej. lubricantes, filtros y empaquetaduras, etc.
 - F. Los motores de gasolina están específicamente excluidos de la cobertura de esta garantía limitada. El comprador debe seguir las cláusulas de la garantía otorgada por el fabricante del motor de gasolina que se suministra con el producto.
 - G. Artículos adicionales que no están cubiertos por esta garantía:
 1. Artículos excluidos correspondientes a todos los compresores
 - a. Cualquier componente dañado durante el envío o cualquier daño ocasionado por haber instalado u operado la unidad bajo condiciones contrarias a lo indicado en las instrucciones para instalar u operar la unidad o daños ocasionados por el contacto con herramientas o los alrededores.
 - b. Daños en la bomba o las válvulas ocasionados por la lluvia, humedad excesiva, agentes corrosivos u otros contaminantes.
 - c. Defectos cosméticos que no interfieren con el funcionamiento del compresor.
 - d. Tanques oxidados, incluyendo, entre otros, el óxido debido al drenaje inadecuado o a agentes corrosivos en el ambiente.

GARANTÍA

- e. Los siguientes componentes se consideran artículos de uso normal y no son cubiertos después del primer año de propiedad. Motor eléctrico, válvula de control, interruptor de presión, regulador, indicadores de presión, mangueras, tuberías, tubos, conectores y acoples, tornillos, tuercas, artículos de ferretería, correas, poleas, volante, filtro de aire y carcasa, empaquetaduras, sellos, filtraciones de aceite, filtraciones de aire, consumo o uso de aceite, anillos del pistón.
 - f. Válvulas de drenaje del tanque.
 - g. Daños debidos al cableado incorrecto o conexión a circuitos con voltaje inadecuados para la unidad.
 - h. Otros artículos no mencionados pero que se consideran piezas de uso general.
 - i. Interruptores de presión, controladores de flujo de aire, dispositivos de carga/descarga, dispositivos de control de aceleración y válvulas de seguridad modificados de fábrica.
 - j. Daño por mantenimiento inadecuado del filtro.
 - k. Motores de inducción operados con electricidad producida por un generador.
2. Artículos excluidos específicos para compresores lubricados:
- a. Desgaste de la bomba o daño a las válvulas debido al uso de aceites no especificados.
 - b. Desgaste o daño de la bomba causado por cualquier tipo de contaminación del aceite.
 - c. Desgaste o daño de la bomba por no seguir las pautas de mantenimiento del aceite apropiadas, por funcionamiento con un nivel de aceite inferior al adecuado o por funcionamiento sin aceite.
- H. Mano de obra, servicio de llamada, o cargos por transporte después del primer año de propiedad de los compresores estacionarios. Los compresores estacionarios se identifican por no tener manija o ruedas.
7. RESPONSABILIDADES DEL GARANTE QUE CUBRE ESTA GARANTÍA: El fabricante, a su criterio, reparará o reemplazará este producto o cualquier componente de éste que presente defectos durante el período de vigencia de la garantía.
8. RESPONSABILIDADES DEL COMPRADOR QUE CUBRE ESTA GARANTÍA:
- A. Proporcionar el comprobante de la fecha de compra y registros de mantenimiento.
 - B. Llame al servicio al cliente al 1-888-3KOBALT (1-888-356-2258) para obtener las opciones de su servicio de garantía. Los costos de flete deben ser asumidos por el comprador.
 - C. Prestar el cuidado adecuado al operar y hacerle mantenimiento a los productos como se indica en el (los) manual(es) del propietario.
 - D. Reparaciones que requieran tiempo adicional al horario normal de trabajo, tarifas de fin de semana o cualquier reparación que exceda las tarifas estándar de trabajos de reparación de la garantía del fabricante.
 - E. El tiempo requerido por el personal de servicio para obtener el acceso al local para revisiones de seguridad, capacitación de seguridad o similar.
 - F. La ubicación de la unidad debe tener espacio adecuado y ser de fácil acceso para que el personal de servicio realice las reparaciones.
9. CUÁNDO EL GARANTE REALIZARÁ REPARACIONES O REEMPLAZOS QUE CUBRE ESTA GARANTÍA: La reparación o reemplazo dependerá del flujo normal de trabajo del centro de servicio y de la disponibilidad de las piezas de repuesto.

Esta garantía limitada se aplica en los Estados Unidos y en México, y le da derechos legales específicos. Usted también puede tener otros derechos que varían según el estado o país.

LISTA DE PIEZAS DE REPUESTO

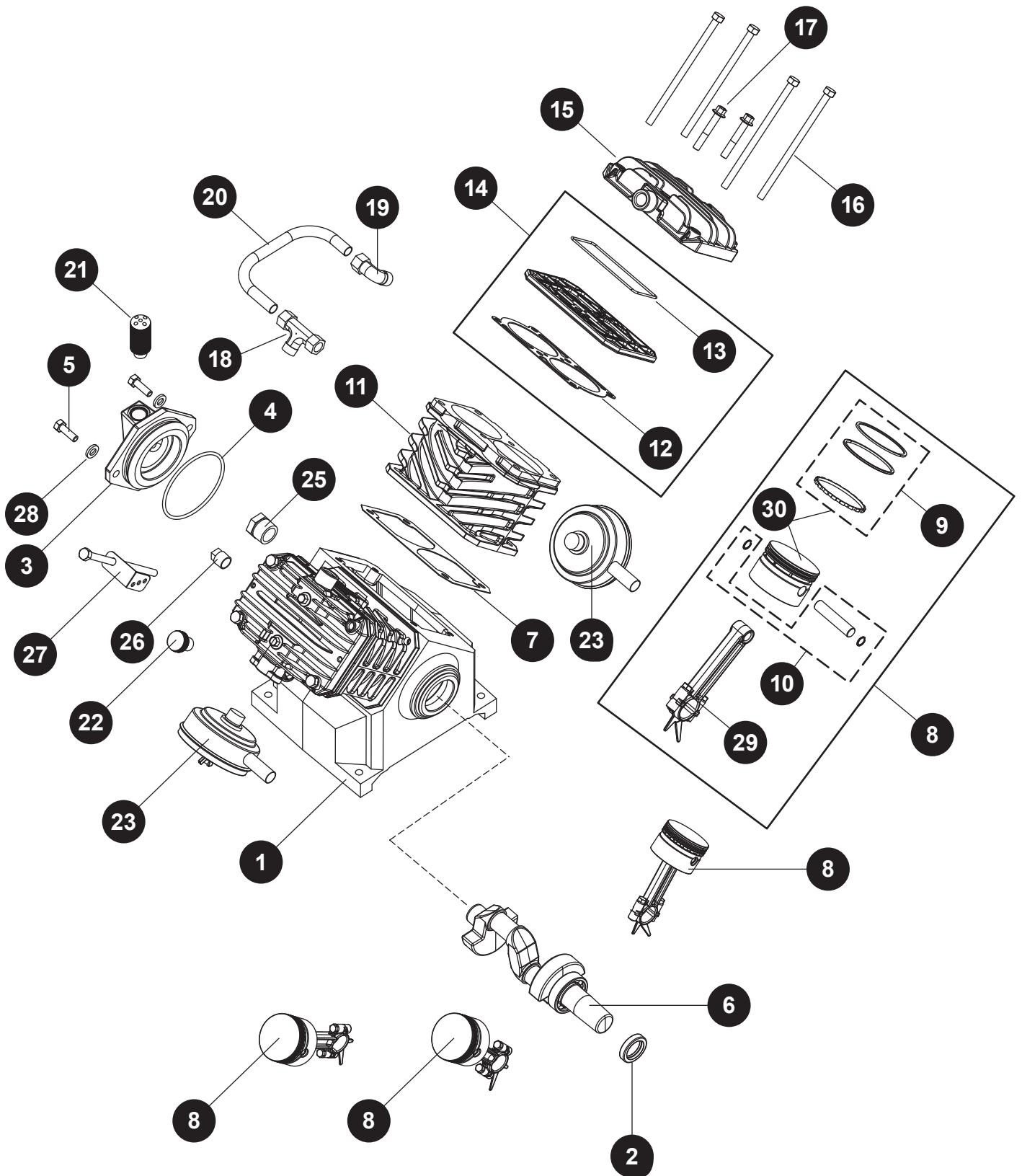


LISTA DE PIEZAS DE REPUESTO

Para obtener piezas de repuesto, llame a nuestro Departamento de Servicio al Cliente al 1-888-3KOBALT (1-888-356-2258), de 8:00 a.m. a 8:00 p.m. hora estándar del Este, de lunes a viernes.

PIEZAS	DESCRIPCIÓN	NÚMERO DE PIEZA	CANT.
1	Tanque de aire	AR232401CG	1
2	Válvula de desagüe	ST127700AV	1
3	Bomba compresora de aire con volante	TQ300000AV	1
4	Perno de cabeza hexagonal de 0,79 cm – 45 cm x 3,175 cm	*	4
5	Contratuerca de 0,79 cm – 45 cm	*	8
6	Perno de cabeza hexagonal de 0,79 cm – 45 cm x 1,187 cm	*	4
7	Arandela de 0,79 cm	*	4
8	Motor eléctrico	MC024700SJ	1
9	Polea del motor	PU017001AV	1
10	Volante	PU017100AV	1
11	Cinturón	BT013100AV	1
12	Manguito para tubería	HF002401AV	1
13	Indicador de presión	GA031900AV	1
14	Válvula de seguridad	V-215109AV	1
15	Cable eléctrico	EC013500AV	1
16	Tubo de descarga	ST117802AV	1
17	Conexión de empuje recto	ST081301AV	1
18	Válvula de control	CV223300AV	1
19	Manguito de compresión de 1,25 cm	ST032900AV	1
20	Tuerca de compresión de 1,25 cm	ST033001AV	1
21	Tubo de descarga	TQ901600AP	1
22	Protector de la correa frontal	BG307500AV	1
23	Tuerca de brida hexagonal 10-24	ST116201AV	5
24	Arandela de 0,79 cm	ST011200AV	2
25	Tornillo autorroscante de 0,79 cm	ST016500AV	4
26	Protector de la correa posterior	BG307400AV	1
27	Interruptor de presión (con válvula de descarga)	CW219300AV	1
28	Válvula de descarga del interruptor de presión (△)	CW210001AV	1
29	Cubierta del interruptor de presión (△)	CW217800AV	1
30	Kit de sujetador del volante	TQ901400AV	1
31	Capacitor - Arranque	MC507018AV	1
32	Capacitor - Ejecutor	MC506910AV	1
33	Ensamble del drenaje simple	D-140501AV	1
34	Etiqueta de advertencia (△)	DK747600AV	1
△	No se muestra		
*	Artículo de aditamentos estándar		

LISTA DE PIEZAS DE REPUESTO



LISTA DE PIEZAS DE REPUESTO

Para obtener piezas de repuesto, llame a nuestro Departamento de Servicio al Cliente al 1-888-3KOBALT (1-888-356-2258), de 8:00 a.m. a 8:00 p.m. hora estándar del Este, de lunes a viernes.

PIEZAS	DESCRIPCIÓN	NÚMERO DE PIEZA	CANT.
1	Cigüeñal	TQ010001AV	1
2	Sello de aceite	ST120000AV	1
3	Tapa del rodamiento	TQ010201AV	1
4	Junta tórica	■	1
5	Tornillo hexagonal de cabeza hueca M8 x 25 mm	*	2
6	Cigüeñal y cojinete ensamblado	TQ900201AJ	1
7	Empaquetadura del cigüeñal	■	2
8	Varilla de conexión / Kit para ensamble del pistón	TQ901500AV	4
9	Juego de anillos del pistón (dos juegos)	VT911200AV	2
10	Kit para pasador de articulación [incluye anillos de retención]	TQ901800AV	4
11	Cilindro	VT040915AV	2
12	Empaquetadura cilindro	■	2
13	Junta tórica moldeada	■	2
14	Kit para placa de la válvula	VT491100AV	2
15	Cabezal del cilindro	▲	2
16	Tornillo hexagonal de cabeza hueca M8 x 150 mm	▲	8
17	Tornillo con cabeza con borde	▲	4
18	Conector en T con escape	TQ901100AV	1
19	Conector en codo con escape	TQ901200AV	1
20	Tubo extractor	TQ901300AV	1
21	Ventilación	VH901100AV	1
22	Tapa del recipiente de aceite	VH900800AV	1
23	Filtro de aire	VH901700AV	2
24	Filtro de aire solamente (△)	VH901800AV	2
25	Ventanilla	VH901000AV	1
26	Tapón para tubería NPT de 0,64 cm	ST072915AV	1
27	Abrazadera protectora de la correa	--	1
28	Arandela de latón	ST070925AV	2
29	Varilla de conexión	TQ010901AJ	4
30	Kit para anillos del pistón desgastados	TQ901700AV	4

KITS DE PIEZAS DE REPUESTO

▲	Kit de cabezal de cilindro y sujetadores	TQ900800AJ
■	Kit de empaquetaduras	TQ901001AJ
△	No se muestra	
*	Artículo de aditamentos estándar	
--	No disponible	

Impreso en EE.UU.

Kobalt® y K&Design® son marcas registradas de
LF, LLC. Todos los derechos reservados.

kobalttools.com  **KOBALT**