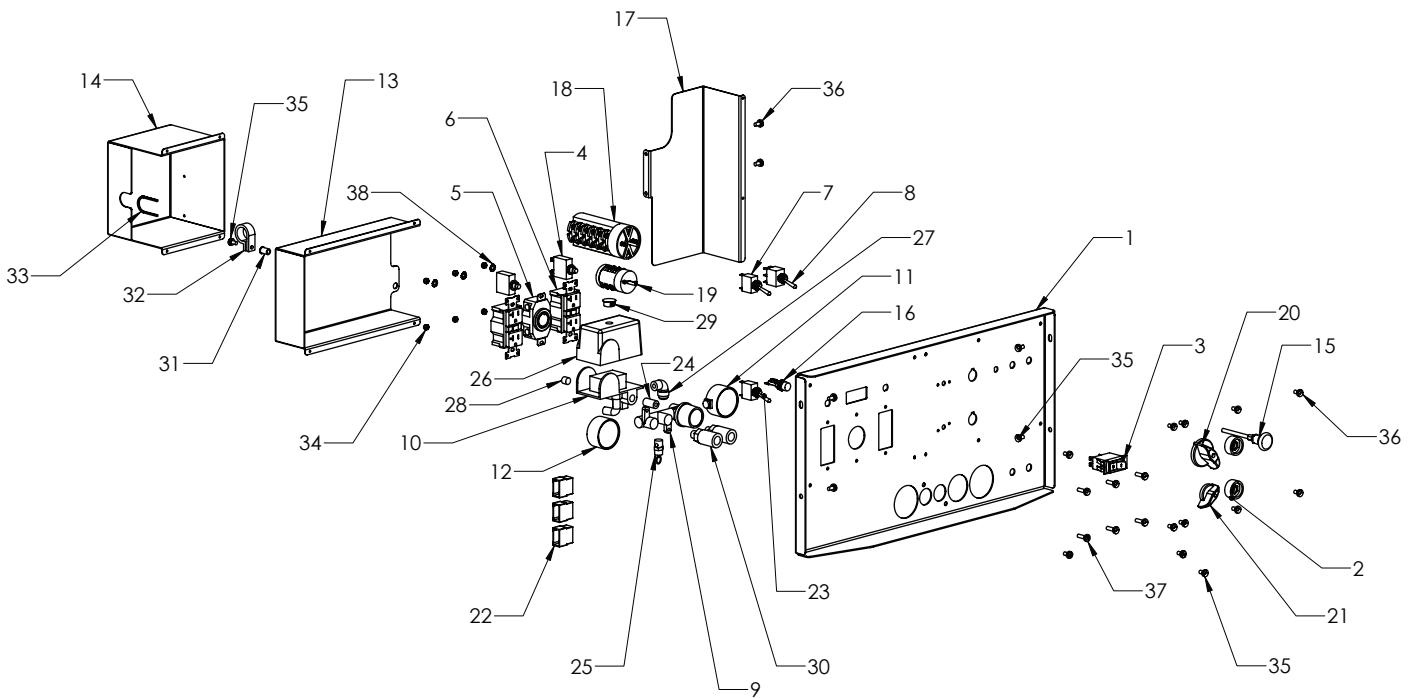


Power Pack Control Panel



Control Panel Replacement Parts List for Models GR3000 and GR3100



For Replacement Parts or Technical Assistance, Call 1-800-746-5641

Please provide following information:

- Model number
- Serial number
- Part description and number as shown in parts list

Address any correspondence to:

Campbell Hausfeld
Attn: Customer Service
100 Mundy Memorial Drive
Mt. Juliet, TN 37122 U.S.A.

Replacement Parts List

| Ref. No. | Description | Part Number | Qty |
|----------|--|-------------|-----|
| 1 | Control panel | GW004250JJ | 1 |
| 2 | Dinse socket | WC000300AV | 2 |
| 3 | Circuit breaker - 30A | GW004256AV | 1 |
| 4 | Circuit breaker - 20A | GW004257AV | 2 |
| 5 | Twist lock receptacle - 120/240V 30A | GW004255AV | 1 |
| 6 | GFCI receptacle - 20A | GW004254AV | 2 |
| 7 | Engine start switch | GW004259AV | 1 |
| 8 | Engine run/stop switch | GW004258AV | 1 |
| 9 | Regulator/manifold | WL017601AV | 1 |
| 10 | Pressure switch with unloader | CW211300AV | 1 |
| 11 | Tank pressure gauge | GA016709AV | 1 |
| 12 | Outlet pressure gauge | GA016705AV | 1 |
| 13 | Control panel receptacle cover | GW004260KK | 1 |
| 14 | Control panel switch cover | GW004270KK | 1 |
| 15 | Choke cable | GW004970AV | 1 |
| 16 | Fuse holder | HV010201AV | 1 |
| 17 | Control panel wire guard | GW004271KK | 1 |
| 18 | Gen/Weld switch | GW001047SV | 1 |
| 19 | Heat switch | GW001045SV | 1 |
| 20 | Large switch knob | GW001046SV | 1 |
| 21 | Small switch knob | WC400401AV | 1 |
| 22 | 6-circuit tab housing | GN003746AV | 1 |
| 23 | Compressor on/off switch | PM351124AV | 1 |
| 24 | 1/4 NPT Pipe nipple - 7/8 inch long | -- | 1 |
| 25 | ASME safety valve | V-215108AV | 1 |
| 26 | Pressure switch cover | CW211700AV | 1 |
| 27 | 1/4 NPT to 1/2 37° Flare elbow | MJ114003AV | 1 |
| 28 | 1/4 NPT Plug | -- | 1 |
| 29 | 5/8 Cap | MJ106602AV | 1 |
| 30 | 1/4 Quick coupler | HF203300AV | 2 |
| 31 | 1/4-20 Rivet nut | MJ105205AV | 1 |
| 32 | Clamp | MJ111002AV | 1 |
| 33 | Sheet metal edge guard 4 inch long (cut to length) | MJ110203SV | 1 |
| 34 | #8-32 Hex nut | -- | 6 |
| 35 | 1/4-20 x 1/2 inch Pan head screw | -- | 7 |
| 36 | #8 x 1/2 inch Pan head sheet metal screw | -- | 12 |
| 37 | #8-32 x 3/4 inch Pan head screw | -- | 6 |
| 38 | #8 Star washer | -- | 3 |
| 39 | Fuse - 15A (not shown) | HV010301AV | 1 |
| -- | Standard hardware item | | |