

PARTS MANUAL

Models

EX27

ENGINE

PUB-EP1679
Rev. 07/03

Robin America, Inc.

940 Lively Blvd. • Wood Dale, IL 60191 • Phone: 630-350-8200 • Fax: 630-350-8212
e-mail: sales@robinamerica.com • www.robinamerica.com

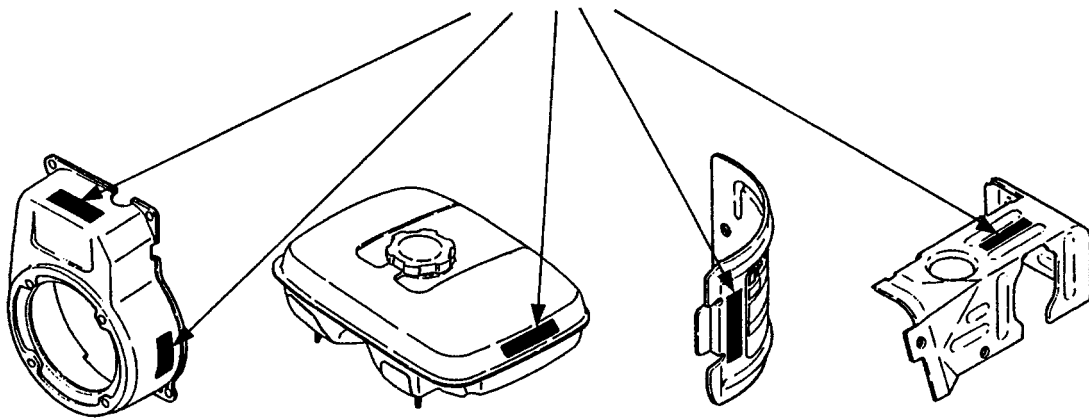
© Copyright 2003 Robin America, Inc.

HOW TO USE THIS MANUAL

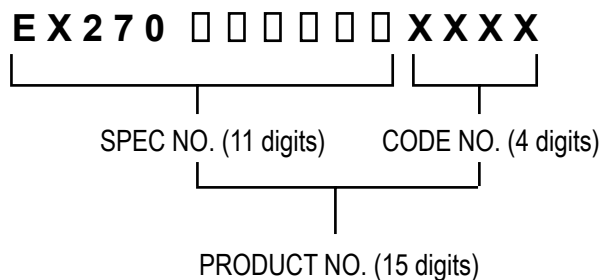
Robin engines are identified by MODEL, SPECIFICATION, and CODE NUMBER. For each model there may be many different versions called specifications. Each specification will be unique in some way. The difference may only be the paint color or it may have a different type of PTO or some other significant difference.

In order to identify the correct service part number, it is important to confirm the specification and code numbers for your engine. The specification and code number together are known as the PRODUCT NUMBER.

All Robin 4 cycle engines have a Product Number label similar to the label illustrated below.



The Product Number Label has a 15 digit alphanumeric string that consists of the SPECIFICATION (SPEC) number (11 digits) and the CODE number (4 digits). Please note the illustration below:



MANUAL LAYOUT

1— SECTION 6 FUEL GROUP

2— FIG. 600

3

4

5

6

7

8

9

10

FIG. 600

DETAIL A

1— SECTION 6 FUEL GROUP

| REF. | PART NO. | DESCRIPTION | QTY. | REMARKS | FROM-TO | FIG. |
|------|--------------|------------------|------|--------------------|---------|------|
| 10 | 267-60103-01 | FUEL TANK CP | 1 | YD, YS TYPE, BLACK | | 600 |
| 27 | 267-60101-01 | FUEL TANK CP | 1 | YELLOW | | 600 |
| 27 | 073-20039-00 | LABEL, WARNING | 1 | YD, YS TYPE | | 600 |
| 30 | 043-04300-15 | FUEL TANK CAP CP | 1 | | | 600 |
| 31 | 267-95201-03 | LABEL, EMISSION | 1 | YD, YS TYPE | | 600 |
| 40 | 064-13600-10 | FUEL FILTER | 1 | | | 600 |
| 50 | 064-20021-01 | FUEL STRAINER AY | 1 | | | 600 |
| -1 | 064-20002-20 | FILTER | 1 | | | 600 |
| -2 | 064-20002-30 | GASKET | 1 | | | 600 |
| -3 | 064-20019-10 | CUP | 1 | | | 600 |

1. SECTION NAME Parts are broadly classified according to their functions. Refer to the Group Index (table of contents) for respective section name.
2. FIG. No. The FIG. number indexes the reference and part numbers to the illustration. Figure numbers that vary only in the tens place (i.e.: 700 and 710) are in a group of the same section (i.e.: Electrical Device Group).
3. REF. No. The Reference number identifies the part illustration with the corresponding part number in the part list.
4. SUBASSEMBLY SUBASSEMBLY parts of part assembly are listed below the assembly part. The subassembly part reference number is indicated by the number led by "-" such as "-1", "-2".
5. PART NUMBER It is the number assigned for sales unit. Use the PART No. when making an order.
6. DESCRIPTION It is designation of the part.
7. QTY. Quantity of each part used for each product.
8. REMARKS This gives a distinctive feature and/or a supplementary comment for the type, the specification, and the part concerned. It also shows part number(s) interchangeable for the part.
9. FROM-TO This section shows the CODE No. to indicate the history of progress in which improved parts have been introduced in the product. The FROM-TO CODE No. helps to identify PART No. being employed in the product concerned. See the examples below:
 - The part is used in the product irrespective of CODE No.
 - 2101- The part is used in the products with CODE No. of 2101 and after this number.
 - 2100 The part is used in the products with CODE No. of 2100 and before this number.

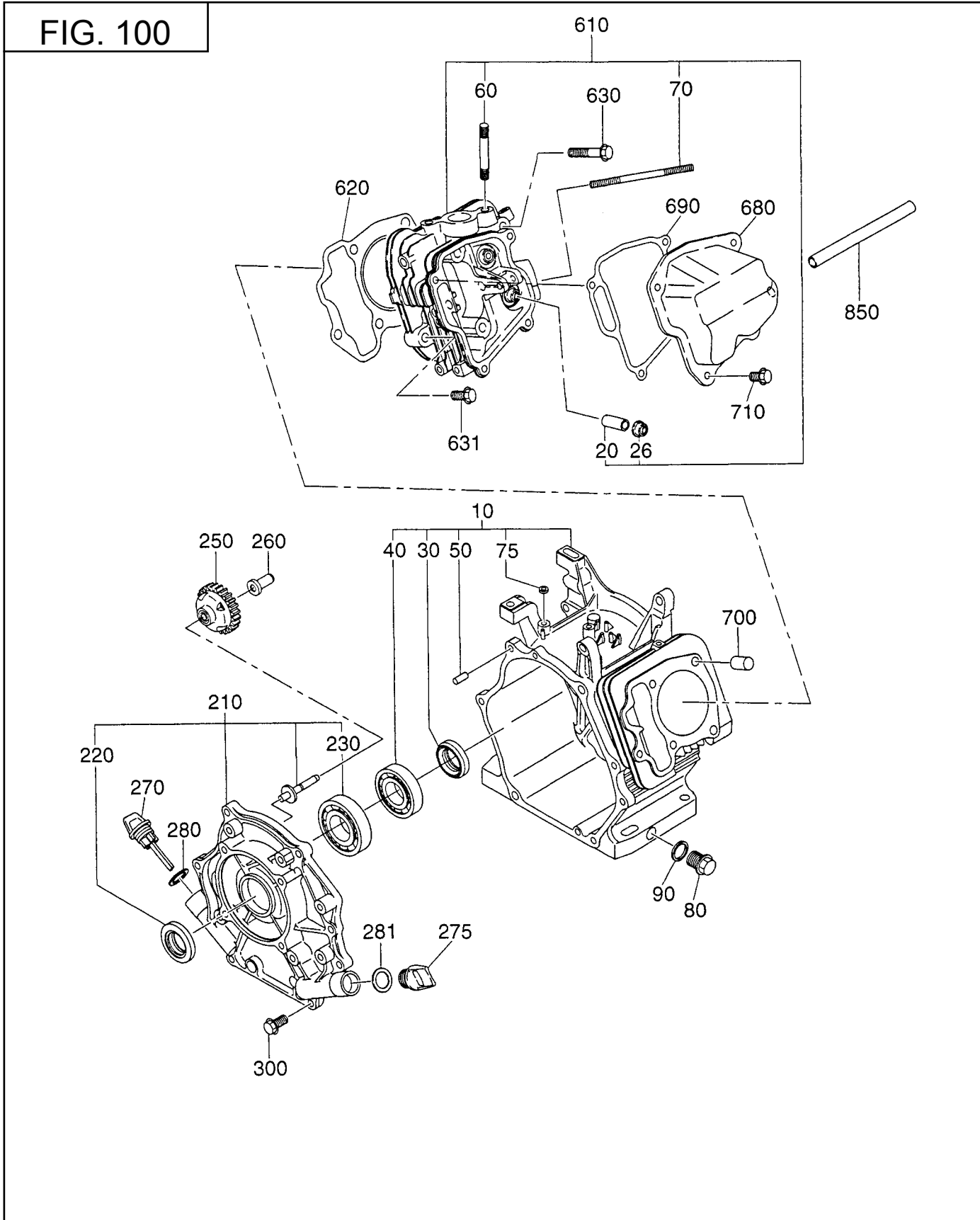
GROUP INDEX

| Group Name | Page |
|----------------------------------|------|
| CRANKCASE GROUP | 6 |
| CRANKSHAFT GROUP | 8 |
| INTAKE and EXHAUST GROUP | 10 |
| GOVERNOR GROUP | 14 |
| COOLING and STARTING GROUP | 16 |
| FUEL, LUBRICANT GROUP | 18 |
| CARBURETOR GROUP | 20 |
| ELECTRIC DEVICE GROUP | 22 |
| ACCESSORY GROUP | 24 |

| INDEX OF DESCRIPTION SYMBOLS | | | |
|------------------------------|---------------------|--------------------|-------------------|
| SYMBOL | DESCRIPTION | SYMBOL | DESCRIPTION |
| AY | ASSEMBLY | P= | PITCH (in mm) |
| CP | COMPLETE | P.T.O. (PTO) | POWER TAKE OFF |
| EX | EXPORT (from Japan) | REF | REFERENCE |
| FIG | FIGURE | R.H. (RH) | RIGHT HAND SIDE |
| FR | FRONT | RR | REAR |
| " | INCH | STD. | STANDARD |
| INCL. | INCLUDE | SW | SWITCH |
| ~L | LITER | T= | THICKNESS (in mm) |
| L= | LENGTH (in. mm) | UN | UNIT |
| L.H. (LH) | LEFT-HAND SIDE | U.S. | UNDER SIZE |
| MECH | MECHANICAL | ~V | VOLTAGE |
| NO (NON) | NONE | ~W | WATT |
| OPT | OPTIONAL | W/ | WITH |
| O.S. | OVER SIZE | W/O | WITHOUT |

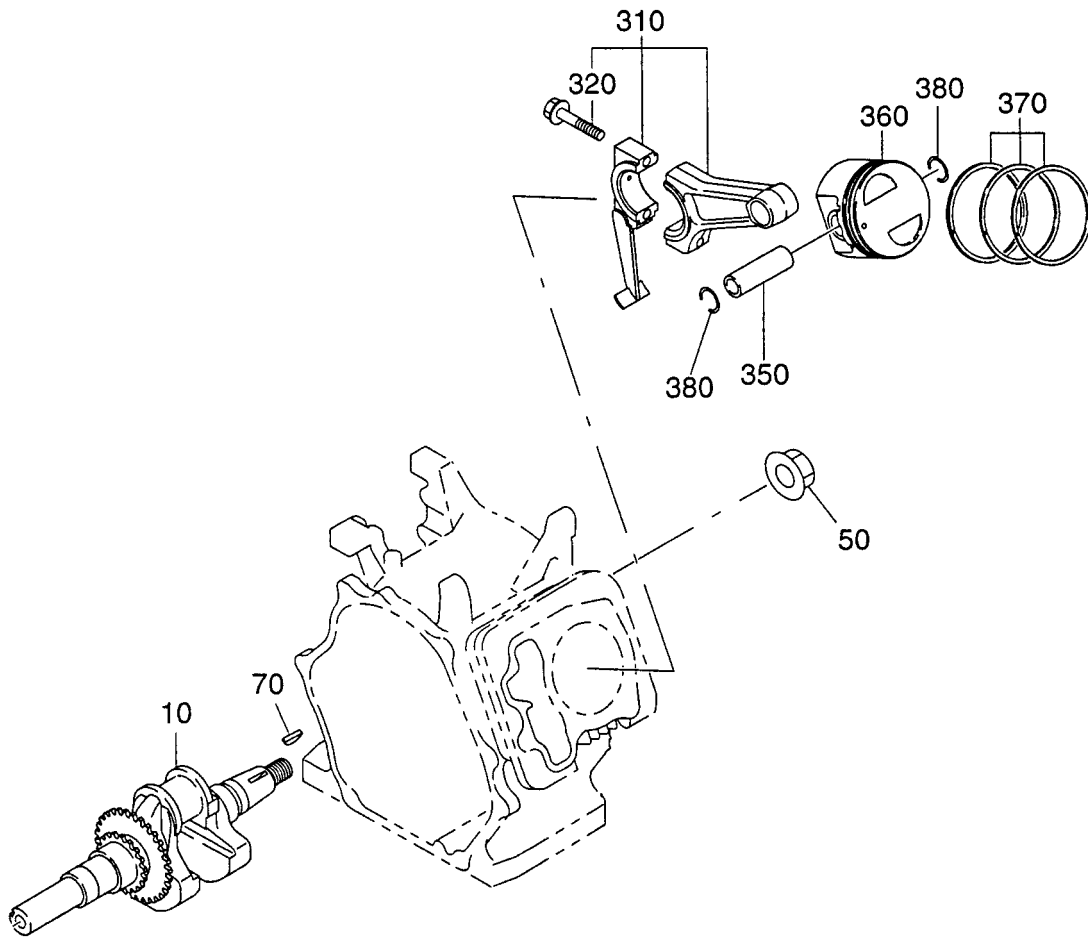
SECTION 1 CRANKCASE GROUP

FIG. 100



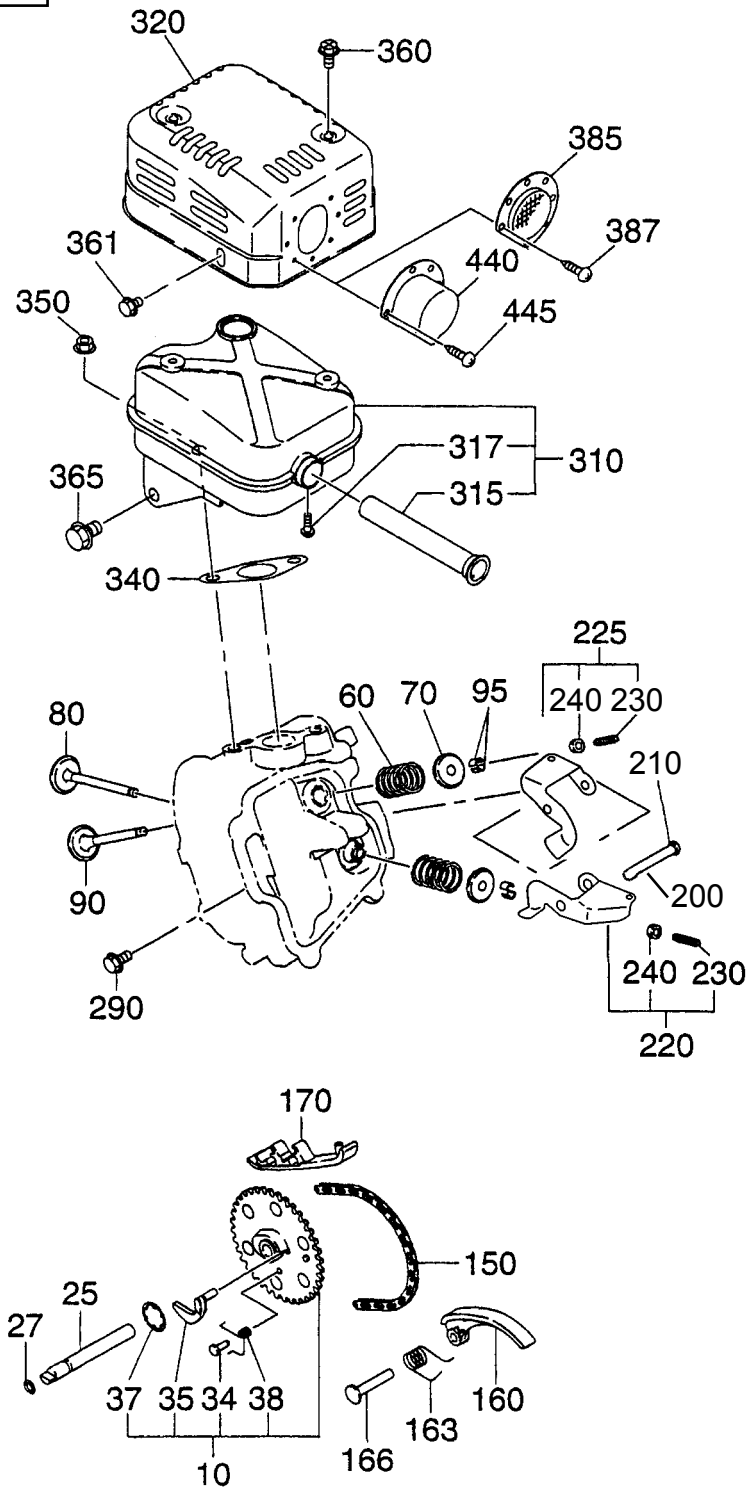
SECTION 2 CRANKSHAFT GROUP

FIG. 200



SECTION 3 INTAKE and EXHAUST GROUP - NEW STYLE

FIG. 300

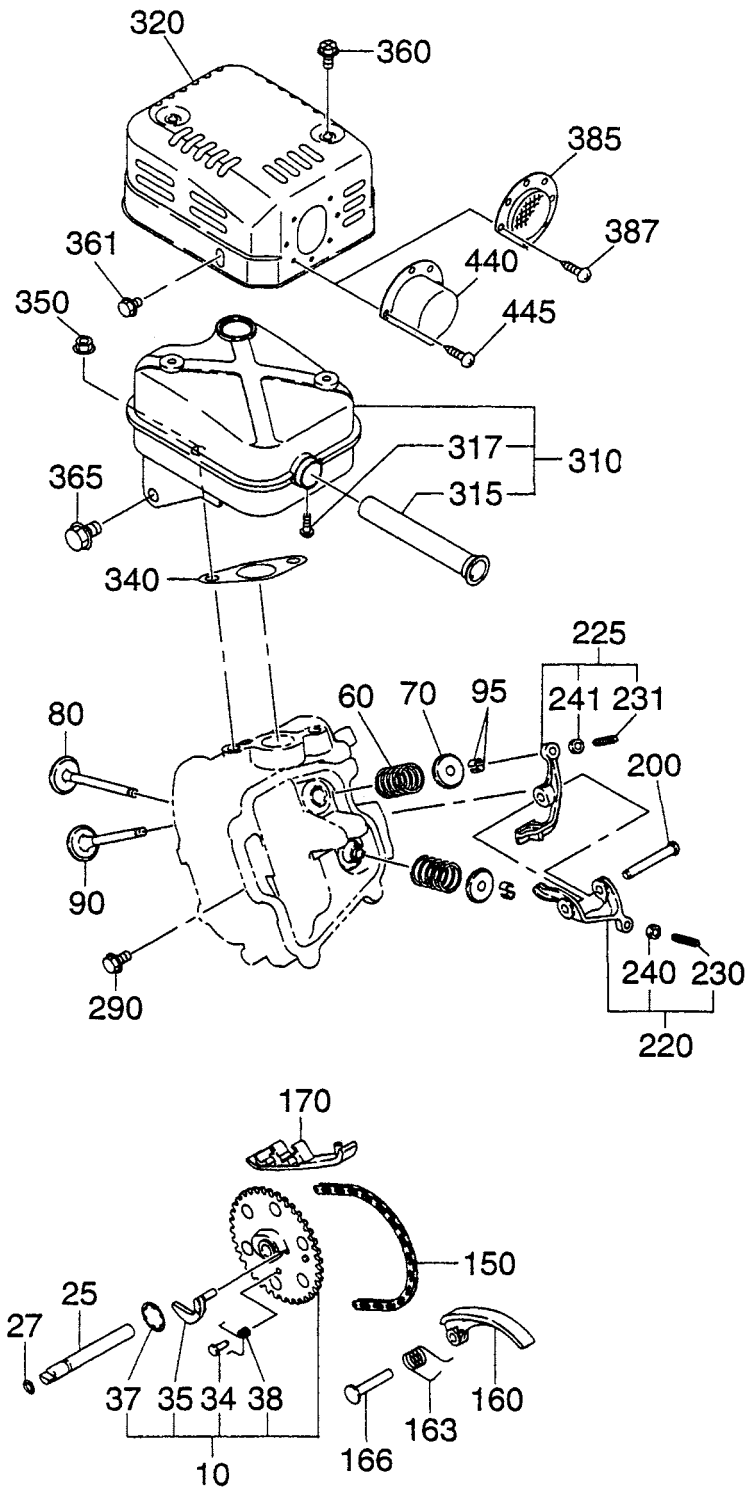


SECTION 3 INTAKE and EXHAUST GROUP - NEW STYLE

| REF. | PART NO. | DESCRIPTION | QTY. | REMARKS | FROM-TO | FIG. |
|------|--------------|------------------------|------|-------------------|----------|------|
| 10 | 279-31601-01 | CAMSHAFT CP | 1 | | 2100000~ | 300 |
| 25 | 277-35101-03 | PIN, camshaft | 1 | | 2100000~ | 300 |
| 27 | 024-00600-10 | O RING | 1 | | 2100000~ | 300 |
| 34 | 277-38601-03 | PIN, spring | 1 | | 2100000~ | 300 |
| 35 | 279-36401-03 | RELEASE LEVER | 1 | | 2100000~ | 300 |
| 37 | 277-36501-03 | CLIP | 1 | | 2100000~ | 300 |
| 38 | 277-38701-03 | RETURN SPRING | 1 | | 2100000~ | 300 |
| 60 | 279-33601-03 | VALVE SPRING | 2 | | 2100000~ | 300 |
| 70 | 269-33701-03 | RETAINER VALVE SPRING | 2 | | 2100000~ | 300 |
| 80 | 279-33401-13 | INTAKE VALVE | 1 | | 2100000~ | 300 |
| 90 | 279-33501-13 | EXHAUST VALVE | 1 | | 2100000~ | 300 |
| 95 | 132-10KA0-31 | COLLET VALVE | 4 | | 2100000~ | 300 |
| 150 | 279-35601-11 | TIMING CHAIN CP | 1 | | 2100000~ | 300 |
| 160 | 277-36911-03 | TENTIONER | 1 | | 2100000~ | 300 |
| 163 | 277-37101-03 | SPRING, tentioner | 1 | | 2100000~ | 300 |
| 166 | 277-36902-03 | PIN, tentioner | 1 | | 2100000~ | 300 |
| 170 | 277-36913-13 | CHAIN GUIDE | 1 | | 2100000~ | 300 |
| 200 | 277-35001-23 | PIN, rocker | 1 | | 2100000~ | 300 |
| 210 | 003-13050-00 | CLIP | 1 | | 2100000~ | 300 |
| 220 | 277-36201-00 | ROCKER ARM AY, intake | 1 | | 2100000~ | 300 |
| 225 | 277-36202-00 | ROCKER ARM AY, exhaust | 1 | | 2100000~ | 300 |
| 230 | 014-90500-20 | ADJUST SCREW | 2 | | 2100000~ | 300 |
| 240 | 017-00500-30 | NUT | 2 | | 2100000~ | 300 |
| 290 | 011-00600-20 | FLANGE BOLT | 1 | | 2100000~ | 300 |
| 310 | 279-30101-31 | MUFFLER CP | 1 | | 2100000~ | 300 |
| | 279-30111-01 | MUFFLER CP | 1 | w/ spark arrestor | 2100000~ | 300 |
| 315 | 279-37601-01 | SPARK ARRESTOR | 1 | | 2100000~ | 300 |
| 317 | 015-00400-60 | TAPPING SCREW | 1 | | 2100000~ | 300 |
| 320 | 279-34201-11 | MUFFLER COVER CP | 1 | | 2100000~ | 300 |
| 340 | 277-35201-13 | GASKET, muffler | 1 | | 2100000~ | 300 |
| 350 | 980-20082-80 | FLANGE NUT | 2 | | 2100000~ | 300 |
| 360 | 015-20600-90 | TAPPING BOLT | 2 | | 2100000~ | 300 |
| 361 | 011-00600-10 | FLANGE BOLT | 1 | | 2100000~ | 300 |
| 365 | 011-00801-50 | FLANGE BOLT | 1 | | 2100000~ | 300 |
| 385 | 277-37203-01 | SCREEN CP | 1 | | 2100000~ | 300 |
| 387 | 015-00400-60 | TAPPING SCREW | 2 | | 2100000~ | 300 |
| 440 | 277-37001-03 | DEFLECTOR | 1 | | 2100000~ | 300 |
| 445 | 015-00400-60 | TAPPING SCREW | 2 | | 2100000~ | 300 |
| | | | | | | |
| | | | | | | |
| | | | | | | |
| | | | | | | |
| | | | | | | |
| | | | | | | |
| | | | | | | |
| | | | | | | |
| | | | | | | |
| | | | | | | |

SECTION 3 INTAKE and EXHAUST GROUP - OLD STYLE

FIG. 300



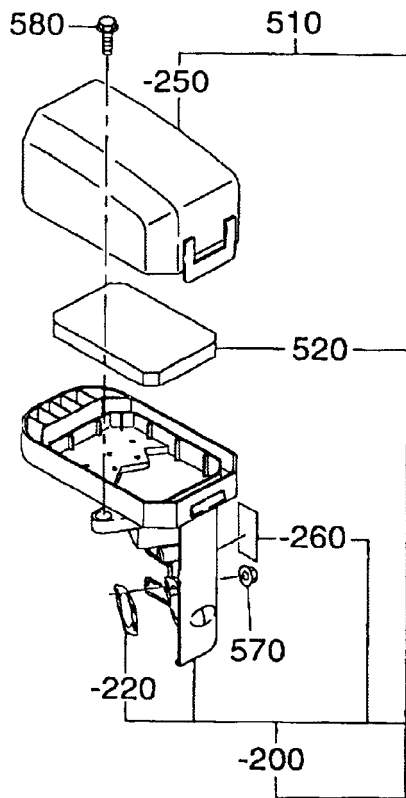
SECTION 3 INTAKE and EXHAUST GROUP - OLD STYLE

| REF. | PART NO. | DESCRIPTION | QTY. | REMARKS | FROM-TO | FIG. |
|------|--------------|------------------------|------|-------------------|----------|------|
| 10 | 279-31601-01 | CAMSHAFT CP | 1 | | ~2099999 | 300 |
| 25 | 277-35101-03 | PIN, camshaft | 1 | | ~2099999 | 300 |
| 27 | 024-00600-10 | O RING | 1 | | ~2099999 | 300 |
| 34 | 277-38601-03 | PIN, spring | 1 | | ~2099999 | 300 |
| 35 | 279-36401-03 | RELEASE LEVER | 1 | | ~2099999 | 300 |
| 37 | 277-36501-03 | CLIP | 1 | | ~2099999 | 300 |
| 38 | 277-38701-03 | RETURN SPRING | 1 | | ~2099999 | 300 |
| 60 | 279-33601-03 | VALVE SPRING | 2 | | ~2099999 | 300 |
| 70 | 269-33701-03 | RETAINER VALVE SPRING | 2 | | ~2099999 | 300 |
| 80 | 279-33401-13 | INTAKE VALVE | 1 | | ~2099999 | 300 |
| 90 | 279-33501-13 | EXHAUST VALVE | 1 | | ~2099999 | 300 |
| 95 | 132-10KA0-31 | COLLET VALVE | 4 | | ~2099999 | 300 |
| 150 | 279-35601-01 | TIMING CHAIN CP | 1 | | ~2099999 | 300 |
| 160 | 277-36911-03 | TENTIONER | 1 | | ~2099999 | 300 |
| 163 | 277-37101-03 | SPRING, tentioner | 1 | | ~2099999 | 300 |
| 166 | 277-36902-03 | PIN, tentioner | 1 | | ~2099999 | 300 |
| 170 | 277-36913-13 | CHAIN GUIDE | 1 | | ~2099999 | 300 |
| 200 | 277-35001-23 | PIN, rocker | 1 | | ~2099999 | 300 |
| 220 | 277-36101-00 | ROCKER ARM AY, intake | 1 | | ~2099999 | 300 |
| 225 | 277-36102-00 | ROCKER ARM AY, exhaust | 1 | | ~2099999 | 300 |
| 230 | 014-90500-10 | ADJUST SCREW | 1 | | ~2099999 | 300 |
| 231 | 014-90500-10 | ADJUST SCREW | 1 | | ~2099999 | 300 |
| 240 | 017-00500-20 | NUT | 1 | | ~2099999 | 300 |
| 241 | 017-00500-20 | NUT | 1 | | ~2099999 | 300 |
| 290 | 011-00600-20 | FLANGE BOLT | 1 | | ~2099999 | 300 |
| 310 | 279-30101-21 | MUFFLER CP | 1 | | ~2099999 | 300 |
| | 279-30111-01 | MUFFLER CP | 1 | w/ spark arrestor | ~2099999 | 300 |
| 315 | 279-37601-01 | SPARK ARRESTOR | 1 | | ~2099999 | 300 |
| 317 | 015-00400-60 | TAPPING SCREW | 1 | | ~2099999 | 300 |
| 320 | 279-34201-11 | MUFFLER COVER CP | 1 | | ~2099999 | 300 |
| 340 | 277-35201-03 | GASKET, muffler | 1 | | ~2099999 | 300 |
| 350 | 980-20082-80 | FLANGE NUT | 2 | | ~2099999 | 300 |
| 360 | 015-20600-90 | TAPPING BOLT | 2 | | ~2099999 | 300 |
| 361 | 011-00600-10 | FLANGE BOLT | 1 | | ~2099999 | 300 |
| 365 | 011-00801-50 | FLANGE BOLT | 1 | | ~2099999 | 300 |
| 385 | 277-37203-01 | SCREEN CP | 1 | | ~2099999 | 300 |
| 387 | 015-00400-60 | TAPPING SCREW | 2 | | ~2099999 | 300 |
| 440 | 277-37001-03 | DEFLECTOR | 1 | | ~2099999 | 300 |
| 445 | 015-00400-60 | TAPPING SCREW | 2 | | ~2099999 | 300 |
| 570 | 002-38060-00 | FLANGE NUT | 2 | | ~2099999 | 300 |
| 580 | 011-00600-50 | FLANGE BOLT | 1 | | ~2099999 | 300 |
| | | | | | | |
| | | | | | | |
| | | | | | | |
| | | | | | | |
| | | | | | | |
| | | | | | | |
| | | | | | | |
| | | | | | | |
| | | | | | | |

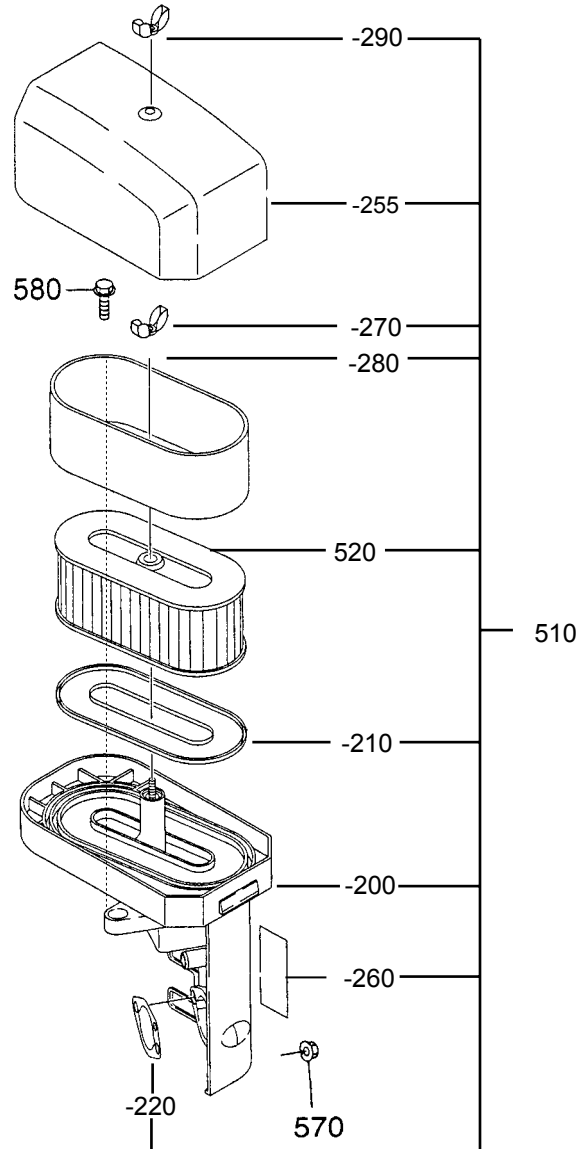
SECTION 3 INTAKE and EXHAUST GROUP

FIG. 310

A



B



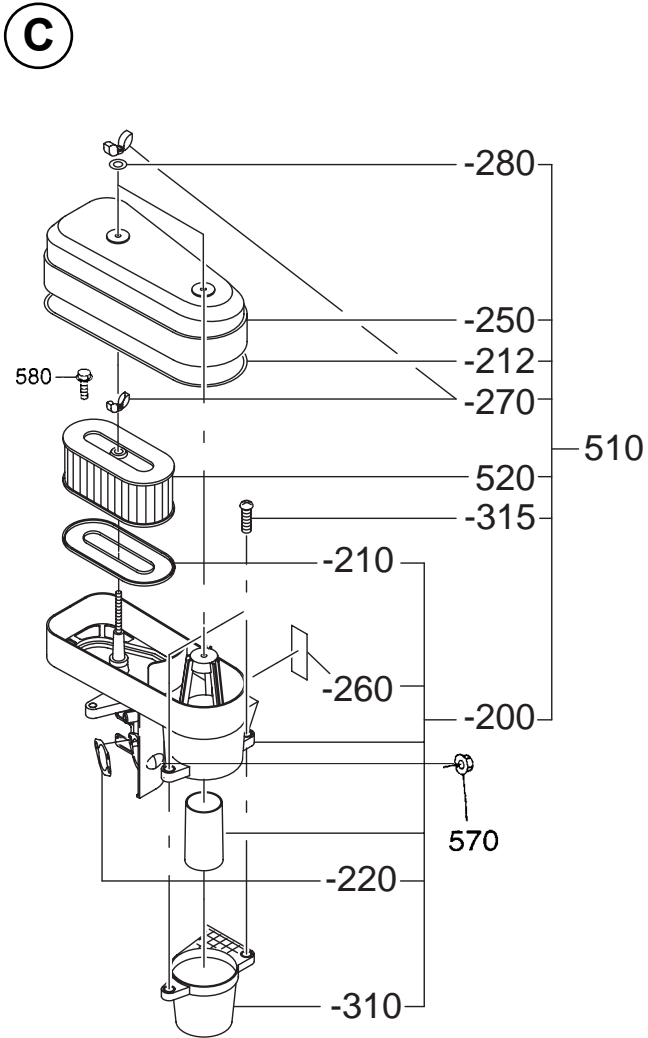
SECTION 3 INTAKE and EXHAUST GROUP

| REF. | PART NO. | DESCRIPTION | QTY. | REMARKS | FROM-TO | FIG. |
|-------------|-----------------|--------------------|-------------|-------------------------|----------------|-------------|
| 510 | 279-32611-00 | AIR CLEANER AY | 1 | Foam | | 310A |
| | 279-32616-00 | AIR CLEANER AY | 1 | Dual element, New Style | | 310B |
| | 279-32612-00 | AIR CLEANER AY | 1 | Dual element, Old Style | | 310B |
| -200 | 279-32630-08 | CASE | 1 | Foam | | 310A |
| | 279-32634-08 | CASE | 1 | Dual element, New Style | | 310B |
| | 279-32631-08 | CASE | 1 | Dual element, Old Style | | 310B |
| -210 | 279-32720-08 | PACKING | 1 | Dual element | | 310B |
| -220 | 279-32650-08 | GASKET | 1 | | | 310 |
| -250 | 279-32640-08 | COVER | 1 | | | 310 |
| -255 | 279-32643-08 | COVER | 1 | | | 310B |
| -260 | 279-32730-08 | LABEL | 1 | | | 310 |
| -270 | 279-32740-08 | NUT | 1 | Dual element | | 310B |
| -280 | 279-32675-08 | WASHER | 1 | Dual element, New Style | | 310B |
| -290 | 279-32740-08 | NUT | 1 | Dual element, New Style | | 310B |
| 520 | 279-32603-08 | ELEMENT | 1 | Foam | | 310A |
| | 279-32607-07 | ELEMENT | 1 | Dual element | | 310B |
| 570 | 002-38060-00 | FLANGE NUT | 1 | | | 310 |
| 580 | 011-00600-50 | FLANGE BOLT | 1 | Foam | | 310A |
| | | | | | | |
| | | | | | | |
| | | | | | | |
| | | | | | | |
| | | | | | | |
| | | | | | | |
| | | | | | | |
| | | | | | | |
| | | | | | | |
| | | | | | | |
| | | | | | | |
| | | | | | | |
| | | | | | | |
| | | | | | | |
| | | | | | | |
| | | | | | | |
| | | | | | | |
| | | | | | | |
| | | | | | | |
| | | | | | | |
| | | | | | | |
| | | | | | | |
| | | | | | | |
| | | | | | | |
| | | | | | | |
| | | | | | | |
| | | | | | | |

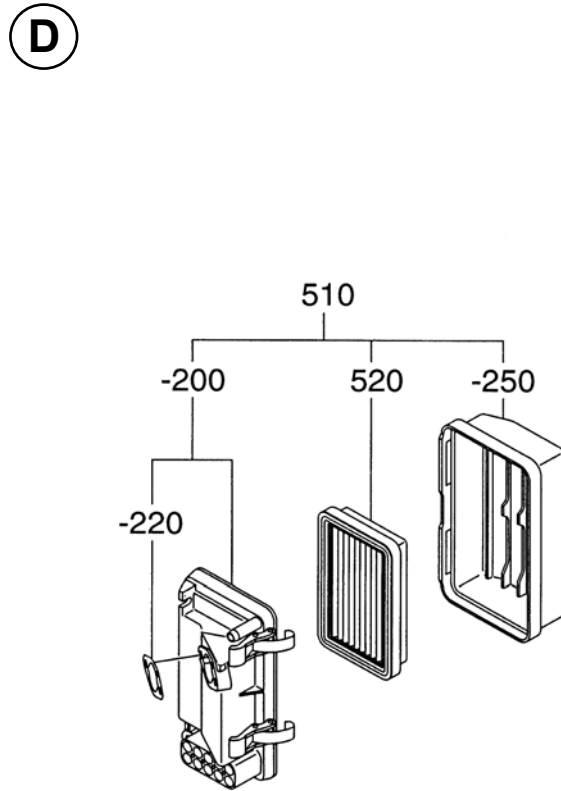
SECTION 3 INTAKE and EXHAUST GROUP

FIG. 320

Cyclone Pre-Cleaner

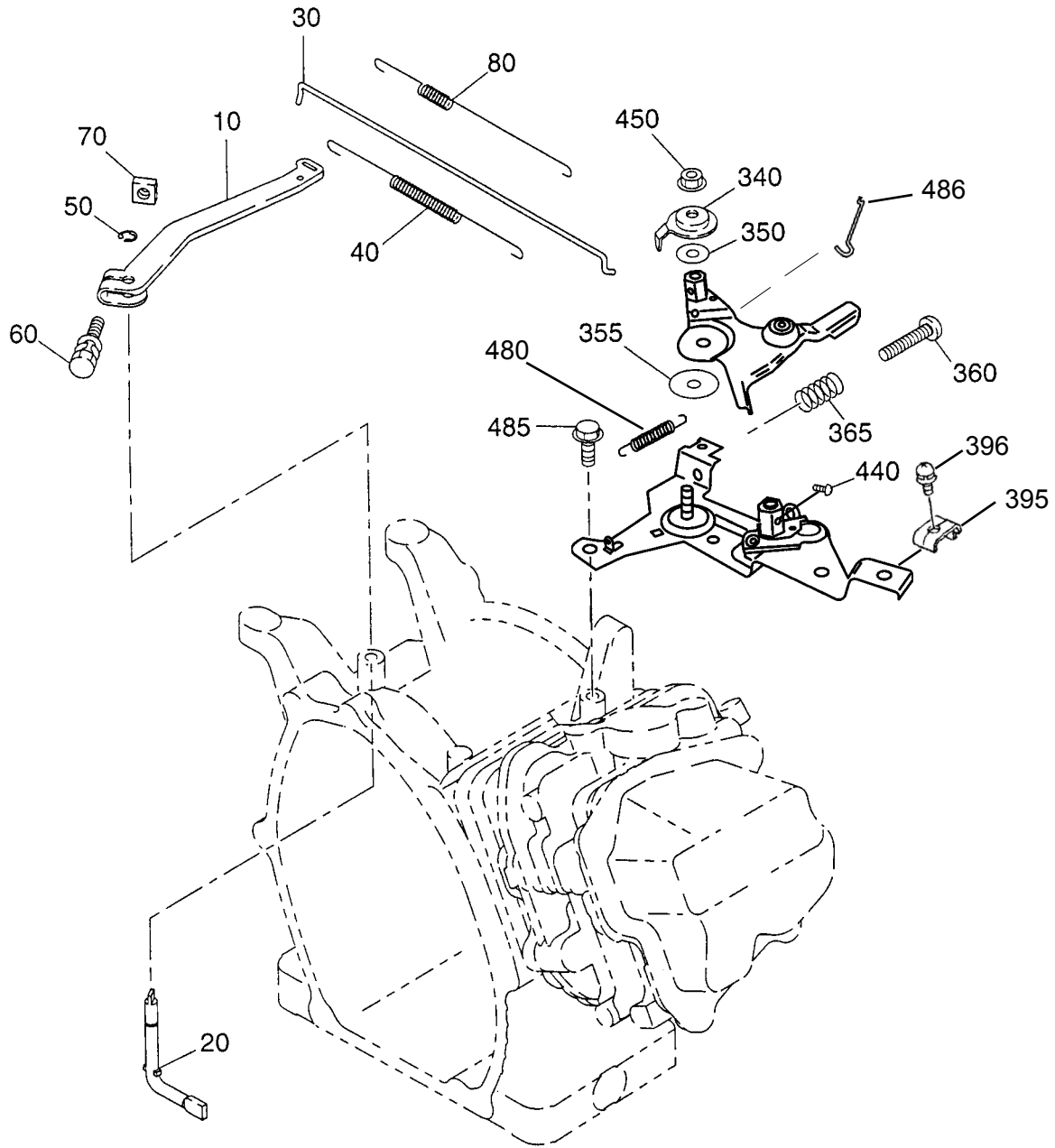


Low Profile



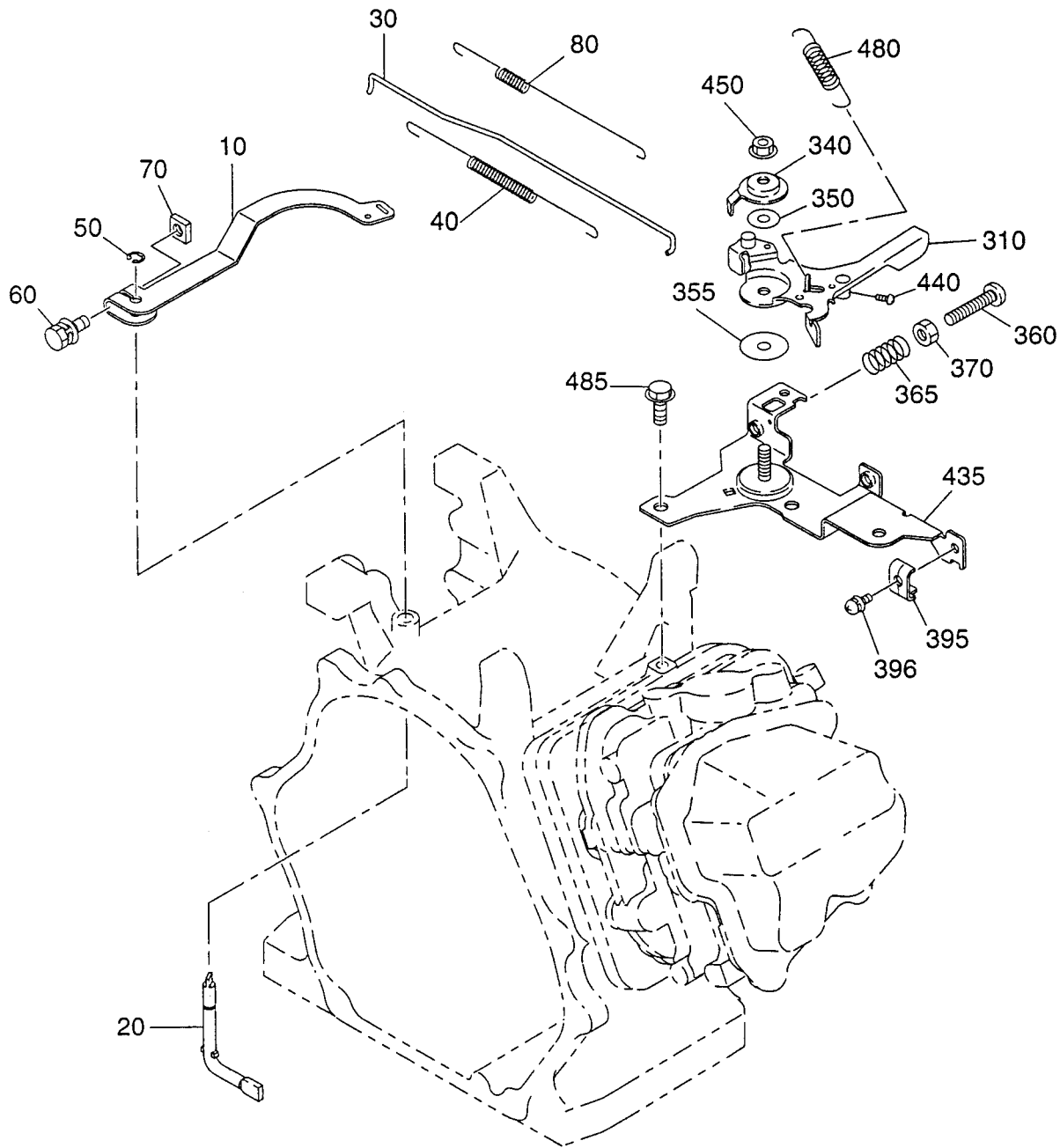
SECTION 4 GOVERNOR GROUP - NEW STYLE

FIG. 400



SECTION 4 GOVERNOR GROUP - OLD STYLE

FIG. 400

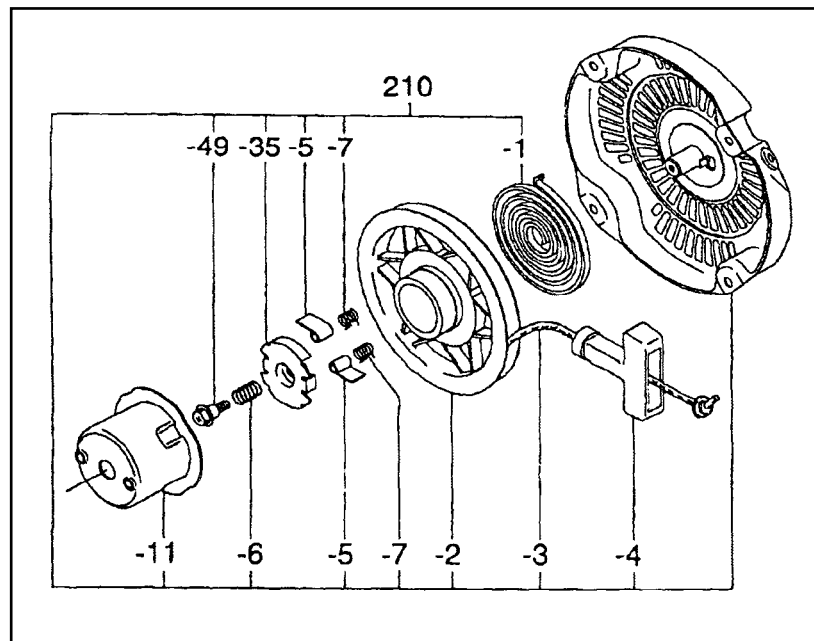
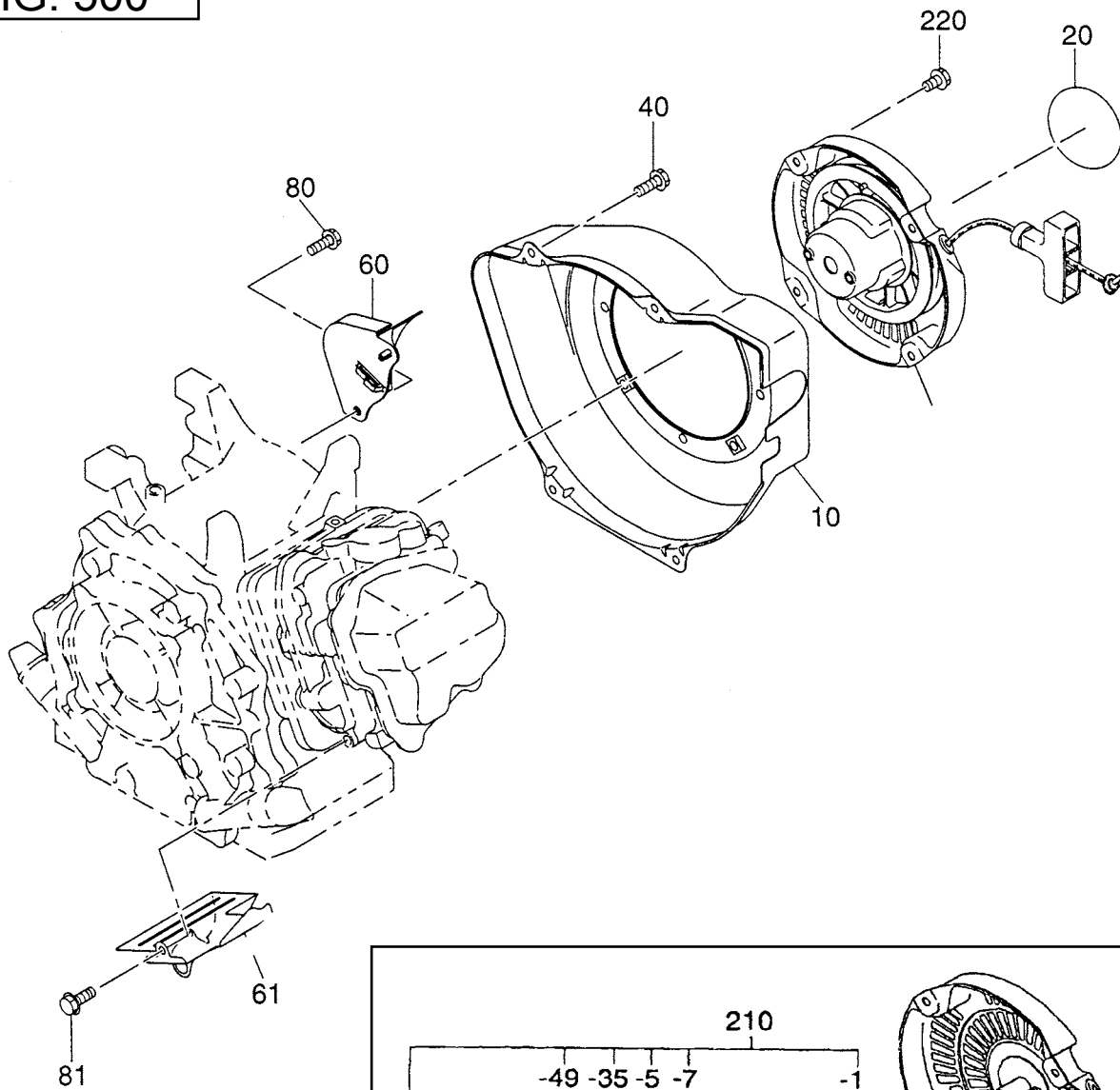


SECTION 4 GOVERNOR GROUP - OLD STYLE

| REF. | PART NO. | DESCRIPTION | QTY. | REMARKS | FROM-TO | FIG. |
|------|--------------|-----------------------|------|------------------------------|----------|------|
| 10 | 279-42301-13 | GOVERNOR LEVER | 1 | | ~2099999 | 400 |
| 20 | 277-42201-33 | GOVERNOR SHAFT | 1 | | ~2099999 | 400 |
| 30 | 279-42701-01 | GOVERNOR ROD CP | 1 | | ~2099999 | 400 |
| 40 | 277-42801-13 | ROD SPRING | 1 | | ~2099999 | 400 |
| 50 | 003-13050-00 | CLIP | 1 | | ~2099999 | 400 |
| 60 | 001-14062-40 | BOLT and WASHER AY | 1 | | ~2099999 | 400 |
| 70 | 018-60600-20 | NUT | 1 | | ~2099999 | 400 |
| 80 | 279-42502-23 | GOVERNOR SPRING | 1 | | ~2099999 | 400 |
| 310 | 279-43302-01 | SPEED CONTROL LEVER | 1 | | ~2099999 | 400 |
| 340 | 277-43501-03 | STOP PLATE | 1 | | ~2099999 | 400 |
| 350 | 020-00601-70 | WASHER | 1 | | ~2099999 | 400 |
| 355 | 021-70600-70 | FRICTION WASHER | 1 | | ~2099999 | 400 |
| 360 | 014-00601-80 | SCREW | 1 | | ~2099999 | 400 |
| 365 | 237-45004-23 | SPRING, adjust | 1 | | ~2099999 | 400 |
| 370 | 002-17060-00 | NUT | 1 | | ~2099999 | 400 |
| 395 | 277-43901-03 | CLAMP | 1 | | ~2099999 | 400 |
| 396 | 004-36051-60 | SCREW and WASHER AY | 1 | | ~2099999 | 400 |
| 435 | 277-46001-01 | SPEED CONTROL BRKT CP | 1 | | ~2099999 | 400 |
| 440 | 004-31040-80 | SCREW | 1 | | ~2099999 | 400 |
| 450 | 002-35060-00 | SELF LOCK NUT | 1 | | ~2099999 | 400 |
| 480 | 277-45101-03 | RETURN SPRING | 1 | | ~2099999 | 400 |
| 485 | 011-00600-20 | FLANGE BOLT | 2 | | ~2099999 | 400 |
| | 277-45002-10 | SPEED CONTROL AY | 1 | Incl. the following items: | ~2099999 | |
| | | | | 310,340,350,355,360,365,395, | | |
| | | | | 396,435,440,450,480,486 | | |
| | | | | | | |
| | | | | | | |
| | | | | | | |
| | | | | | | |
| | | | | | | |
| | | | | | | |
| | | | | | | |
| | | | | | | |
| | | | | | | |
| | | | | | | |
| | | | | | | |
| | | | | | | |
| | | | | | | |
| | | | | | | |
| | | | | | | |
| | | | | | | |
| | | | | | | |
| | | | | | | |
| | | | | | | |
| | | | | | | |
| | | | | | | |
| | | | | | | |

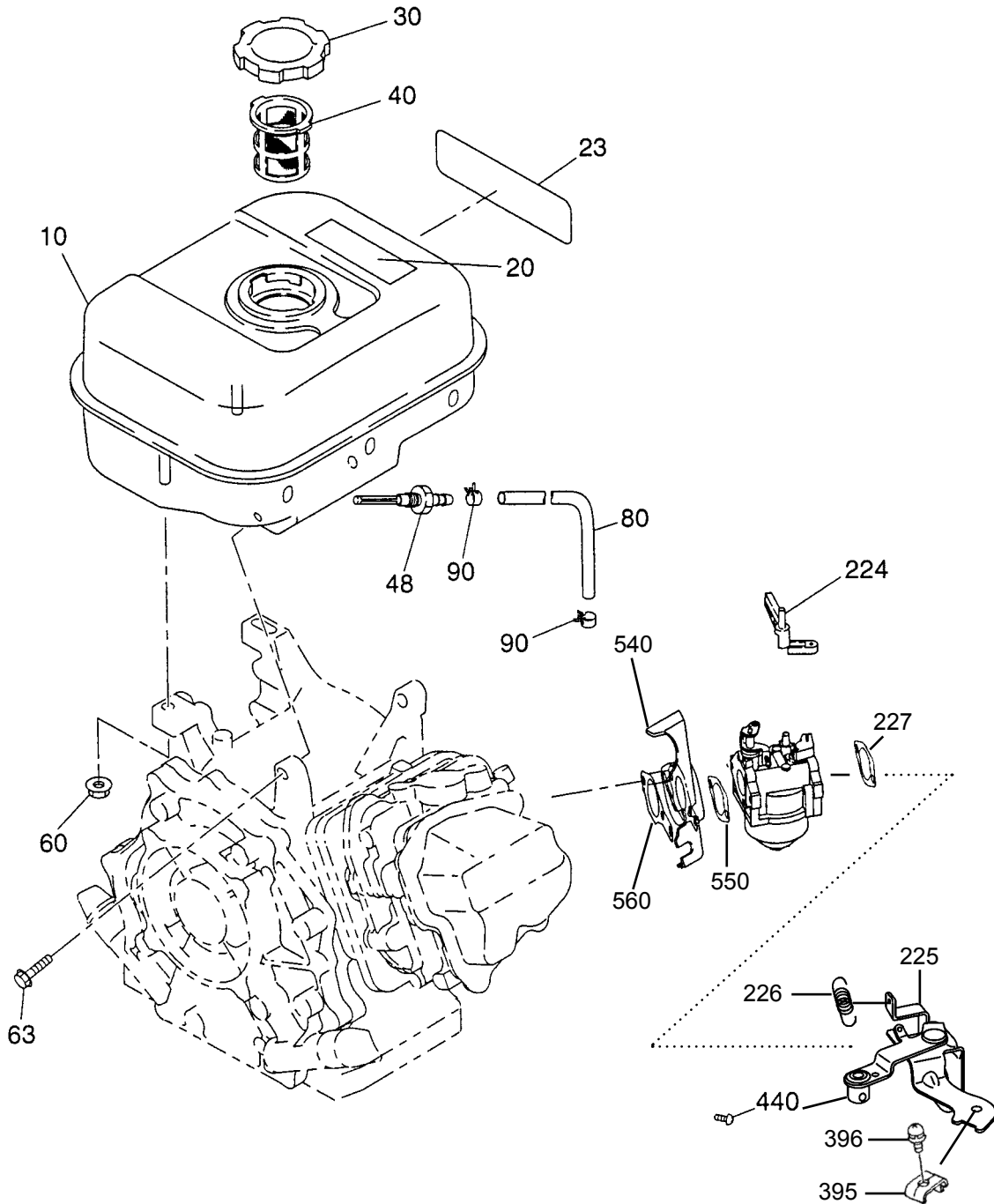
SECTION 5 COOLING and STARTING GROUP

FIG. 500



SECTION 6 FUEL, LUBRICATION GROUP

FIG. 600

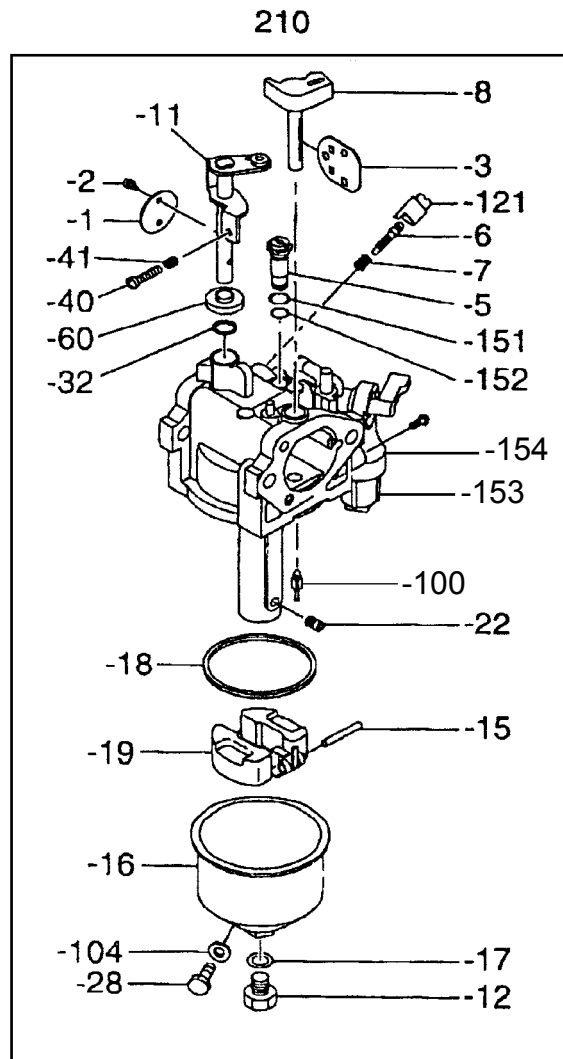


SECTION 6 FUEL, LUBRICATION GROUP

| REF. | PART NO. | DESCRIPTION | QTY. | REMARKS | FROM-TO | FIG. |
|------|--------------|----------------------|------|-----------|---------|------|
| 10 | 279-60102-11 | FUEL TANK CP | 1 | Black | | 600 |
| | 279-60101-21 | FUEL TANK CP | 1 | Yellow | | 600 |
| 20 | 073-20051-81 | LABEL, warning | 1 | | | 600 |
| 23 | 279-95101-03 | LABEL, model | 1 | | | 600 |
| 30 | 043-04300-60 | FUEL TANK CAP CP | 1 | leakproof | | 600 |
| 40 | 064-13600-10 | FUEL FILTER | 1 | | | 600 |
| 48 | 050-51200-20 | UNION | 1 | | | 600 |
| 60 | 002-38080-00 | FLANGE NUT | 2 | | | 600 |
| 63 | 011-00802-50 | FLANGE BOLT | 2 | | | 600 |
| 80 | 085-10600-00 | RUBBER PIPE | 1 | | | 600 |
| 90 | X56-11000-30 | HOSE CLAMP | 2 | | | 600 |
| 224 | 277-43801-01 | CHOKE LEVER CP | 1 | | | 600 |
| 225 | 279-46501-10 | REMOTE CHOKE CONTROL | 1 | | | 600 |
| 226 | 267-45101-03 | SPRING | 1 | | | 600 |
| 227 | 279-46701-03 | GASKET | 1 | | | 600 |
| 395 | 277-43902-03 | CLAMP | 1 | | | 600 |
| 396 | 013-10500-30 | BOLT and WASHER | 1 | | | 600 |
| 440 | 013-50500-30 | SCREW | 1 | | | 600 |
| 540 | 279-32902-H3 | INSULATOR CP | 1 | | | 600 |
| 550 | 279-35902-H3 | GASKET 1, insulator | 1 | | | 600 |
| 560 | 279-35903-H3 | GASKET 2, insulator | 1 | | | 600 |
| | | | | | | |
| | | | | | | |
| | | | | | | |
| | | | | | | |
| | | | | | | |
| | | | | | | |
| | | | | | | |
| | | | | | | |
| | | | | | | |
| | | | | | | |
| | | | | | | |
| | | | | | | |
| | | | | | | |
| | | | | | | |
| | | | | | | |
| | | | | | | |
| | | | | | | |
| | | | | | | |
| | | | | | | |
| | | | | | | |
| | | | | | | |
| | | | | | | |
| | | | | | | |
| | | | | | | |
| | | | | | | |
| | | | | | | |
| | | | | | | |
| | | | | | | |
| | | | | | | |
| | | | | | | |
| | | | | | | |
| | | | | | | |
| | | | | | | |
| | | | | | | |
| | | | | | | |
| | | | | | | |
| | | | | | | |
| | | | | | | |

SECTION 6 FUEL, LUBRICATION GROUP

FIG. 610

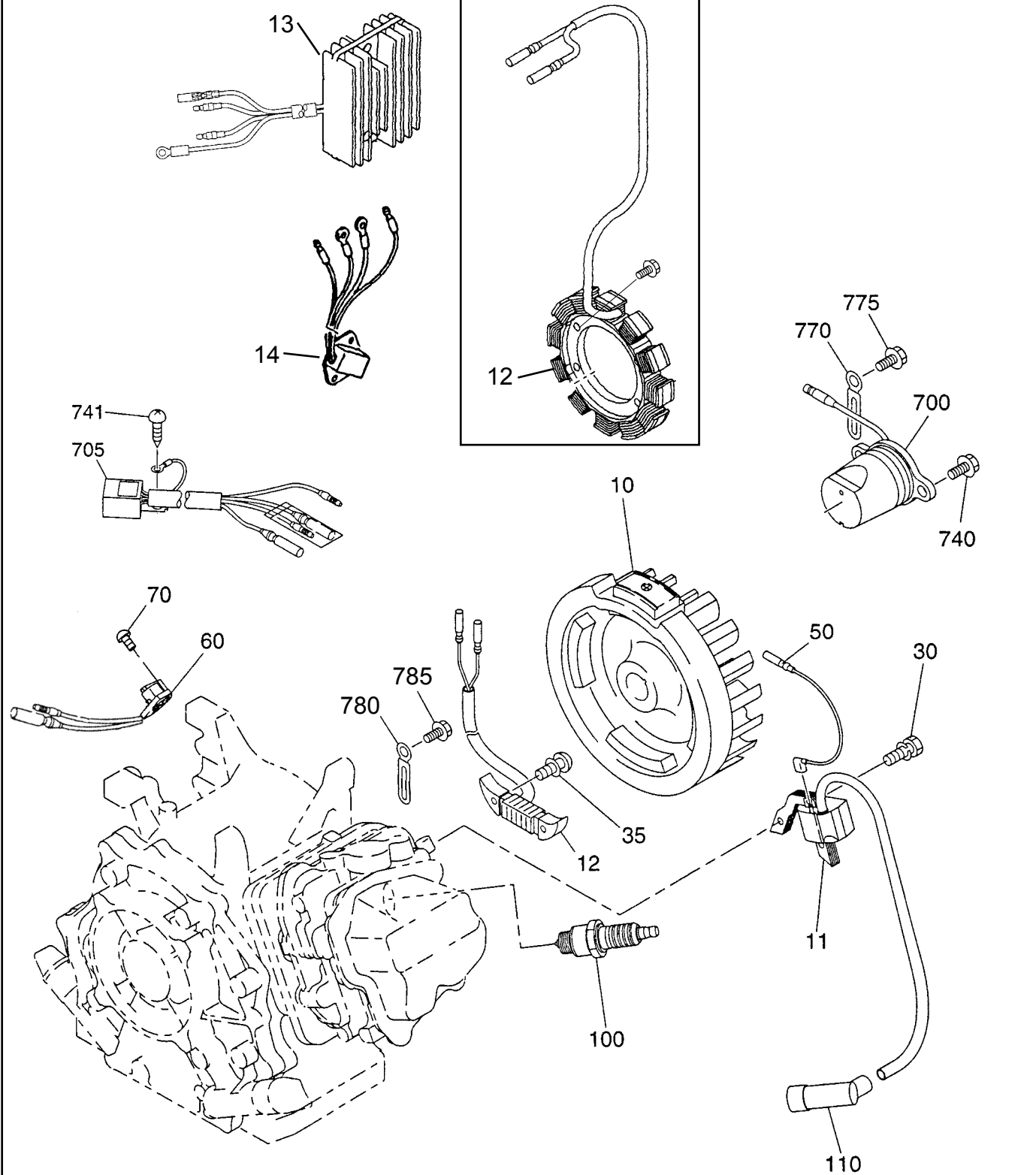


SECTION 6 FUEL, LUBRICATION GROUP

| REF. | PART NO. | DESCRIPTION | QTY. | REMARKS | FROM-TO | FIG. |
|------|--------------|------------------|------|--------------------|---------|------|
| 210 | 279-62301-10 | CARBURETOR | 1 | Foam | | 610 |
| | 279-62302-10 | CARBURETOR | 1 | Dual Element | | 610 |
| | 279-62304-20 | CARBURETOR | 1 | Low Profile | | 610 |
| -1 | 279-62535-08 | THROTTLE VALVE | 1 | | | 610 |
| -2 | 251-62450-08 | SCREW | 1 | | | 610 |
| -3 | 279-62525-08 | CHOKE VALVE | 1 | Foam, Dual Element | | 610 |
| | 279-62526-08 | CHOKE VALVE | 1 | Low Profile | | 610 |
| -5 | 279-62420-08 | SLOW JET | 1 | | | 610 |
| -7 | 251-62449-08 | SPRING | 1 | | | 610 |
| -8 | 279-62520-08 | CHOKE SHAFT | 1 | Foam, Dual Element | | 610 |
| | 279-62570-08 | CHOKE SHAFT | 1 | Low Profile | | 610 |
| -11 | 279-62530-08 | THROTTLE SHAFT | 1 | | | 610 |
| -12 | 251-62453-08 | SCREW | 1 | | | 610 |
| -15 | 279-62515-08 | PIN, FLOAT LEVER | 1 | | | 610 |
| -17 | 251-62350-08 | GAKET | 1 | | | 610 |
| -18 | 279-62540-08 | GASKET, chamber | 1 | | | 610 |
| -19 | 279-62550-08 | FLOAT, chamber | 1 | | | 610 |
| -22 | 279-62400-08 | MAIN JET | 1 | Foam, Low Profile | | 610 |
| | 279-62401-08 | MAIN JET | 1 | Dual Element | | 610 |
| -28 | 279-62355-08 | DRAIN SCREW | 1 | | | 610 |
| -32 | 279-62561-08 | BUSHING | 1 | | | 610 |
| -40 | 279-62353-08 | ADJUST SCREW | 1 | | | 610 |
| -41 | 279-62445-08 | SPRING | 1 | | | 610 |
| -60 | 279-62562-08 | COLLAR | 1 | | | 610 |
| -100 | 279-62500-08 | VALVE AY | 1 | | | 610 |
| -104 | 279-62552-08 | GASKET | 1 | | | 610 |
| -151 | 279-62452-08 | O RING | 1 | | | 610 |
| -152 | 279-62451-08 | O RING | 1 | | | 610 |
| * | 279-62563-08 | COLLAR, upper | 1 | Low Profile | | 610 |
| * | 279-62564-08 | COLLAR, lower | 1 | Low Profile | | 610 |
| | | | | | | |
| | | | | | | |
| | | | | | | |
| | | | | | | |
| | | | | | | |
| | | | | | | |
| | | | | | | |
| | | | | | | |
| | | | | | | |
| | | | | | | |
| | | | | | | |
| | | | | | | |
| | | | | | | |
| | | | | | | |
| | | | | | | |

SECTION 7 ELECTRIC DEVICE GROUP

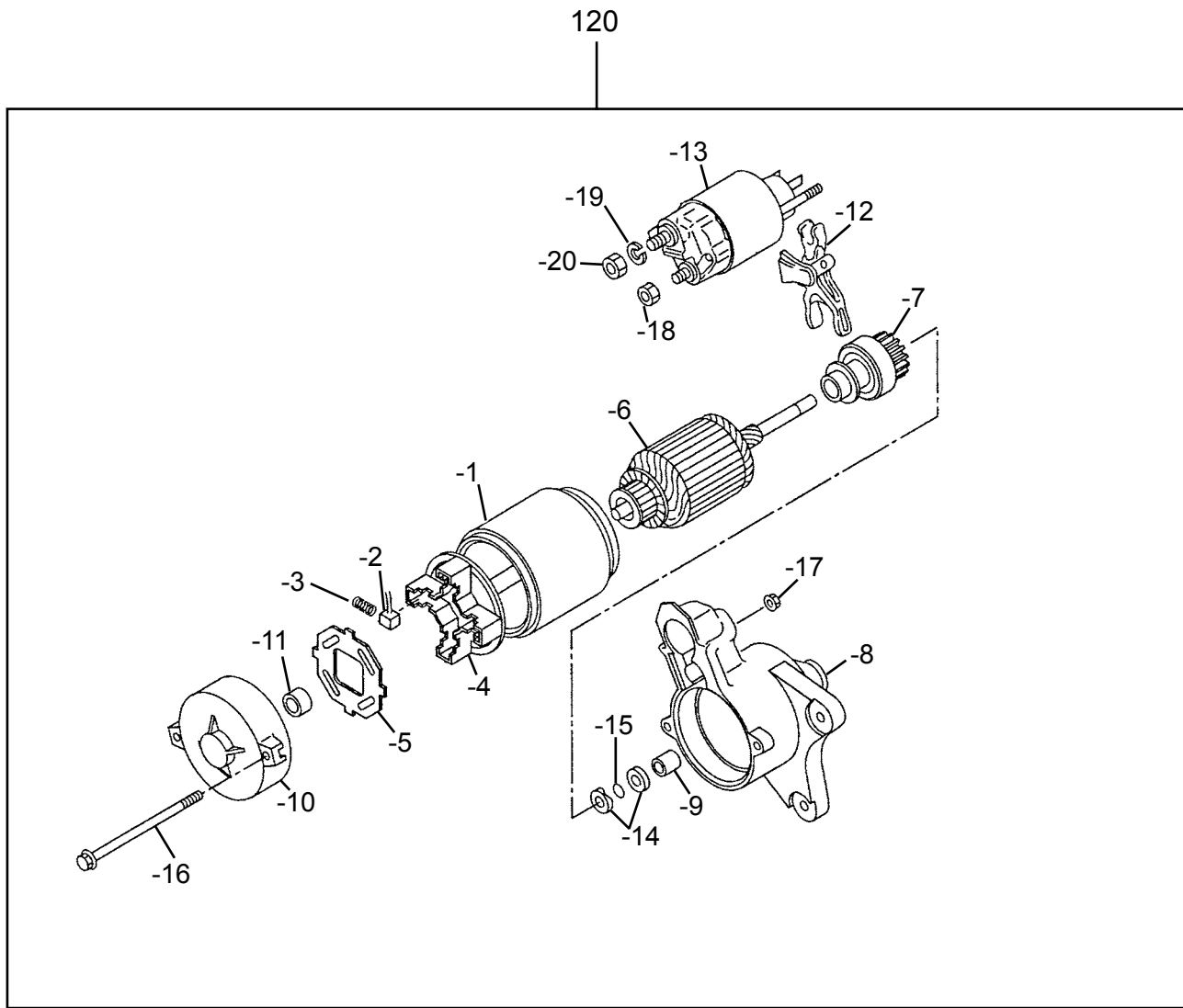
FIG. 700



SECTION 7 ELECTRIC DEVICE GROUP

| REF. | PART NO. | DESCRIPTION | QTY. | REMARKS | FROM-TO | FIG. |
|------|--------------|------------------------|------|--------------------------------|----------|------|
| 10 | 279-79230-01 | FLYWHEEL CP | 1 | STD | | 700 |
| | 279-79241-01 | FLYWHEEL CP | 1 | 15W, 40W Charging | | 700 |
| | 279-79242-01 | FLYWHEEL CP | 1 | 200W Charging | | 700 |
| | 279-79251-01 | FLYWHEEL CP | 1 | 15W, 40W w/ ring gear | | 700 |
| | 279-79252-01 | FLYWHEEL CP | 1 | 200W w/ ring gear | | 700 |
| 11 | 279-79430-01 | IGNITION COIL CP | 1 | | | 700 |
| 12 | 279-79301-01 | CHARGE COIL | 1 | 15W | | 700 |
| | 279-79302-01 | CHARGE COIL | 1 | 40W | | 700 |
| | 279-79303-01 | CHARGE COIL | 1 | 200W | | 700 |
| 13 | 277-71901-01 | REGULATOR RECTIFIER | 1 | 200W | | 700 |
| 14 | 147-71401-01 | RECTIFIER DIODE | 1 | 15W, 40W | | 700 |
| 30 | 001-14062-50 | BOLT and WASHER AY | 2 | | | 700 |
| 35 | 001-13062-00 | BOLT and WASHER | 2 | 15W | | 700 |
| | 001-13063-00 | BOLT and WASHER | 2 | 40W | | 700 |
| 40 | 004-35062-50 | SCREW and WASHER | 4 | 200W | | 700 |
| 50 | 277-73101-01 | WIRE 1 CP | 1 | w/o oil sensor | | 700 |
| | 277-73102-H1 | WIRE 2 CP | 1 | w/ oil sensor | | 700 |
| | 279-73105-H1 | WIRE 5 CP | 1 | Electric Start | | 700 |
| 60 | 066-00003-71 | SWITCH AY | 1 | Old style | | 700 |
| 70 | X66-00004-20 | TAPPING SCREW | 2 | | | 700 |
| 100 | 065-01401-50 | SPARK PLUG | 1 | | | 700 |
| 110 | 065-50002-70 | SPARK PLUG CAP | 1 | | | 700 |
| 700 | 279-76301-31 | OIL SENSOR CP | 1 | | | 700 |
| 705 | KU3-11071-01 | CONTROL AY, oil sensor | 1 | Recoil | 2100000~ | 700 |
| | KU3-11070-01 | CONTROL AY, oil sensor | 1 | Electric, includes stop switch | 2100000~ | 700 |
| | KU3-11043-01 | CONTROL AY, oil sensor | 1 | Old style | ~2099999 | 700 |
| 740 | 001-14061-60 | BOLT and WASHER | 2 | | | 700 |
| 741 | 015-00400-90 | TAPPING SCREW | 2 | | | 700 |
| 770 | 214-79006-01 | CLAMP | 1 | | | 700 |
| 775 | 011-00600-20 | FLANGE BOLT | 1 | | | 700 |
| 780 | 279-75501-03 | CLAMP | 1 | | | 700 |
| 785 | 015-20600-50 | TAPPING BOLT | 1 | | | 700 |
| | | | | | | |
| | | | | | | |
| | | | | | | |
| | | | | | | |
| | | | | | | |
| | | | | | | |
| | | | | | | |
| | | | | | | |
| | | | | | | |
| | | | | | | |
| | | | | | | |
| | | | | | | |
| | | | | | | |
| | | | | | | |
| | | | | | | |
| | | | | | | |
| | | | | | | |
| | | | | | | |

FIG. 710

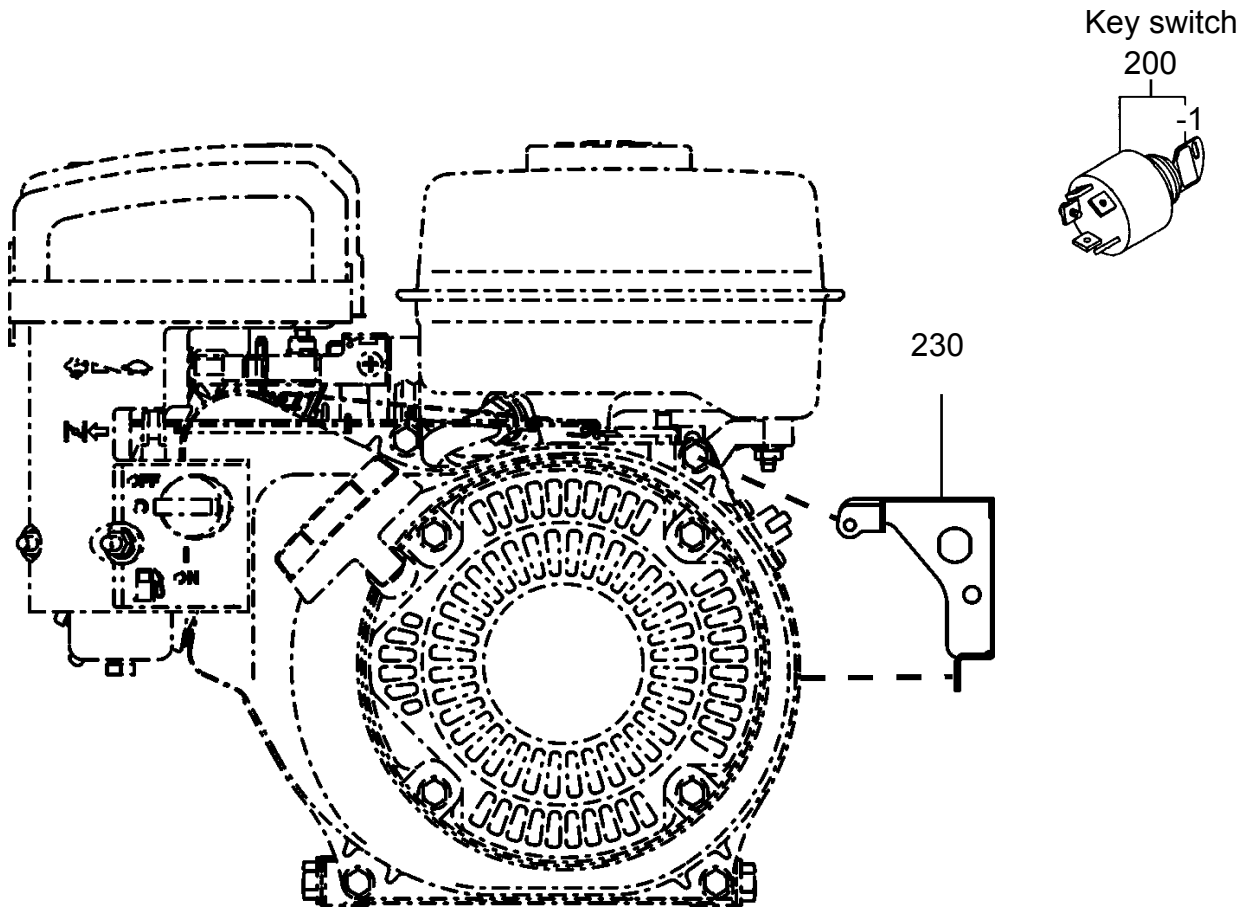


SECTION 7 ELECTRIC DEVICE GROUP - ELECTRIC STARTER

| REF. | PART NO. | DESCRIPTION | QTY. | REMARKS | FROM-TO | FIG. |
|------|--------------|-----------------------|------|---------|---------|------|
| 120 | 279-70502-00 | STARTER MOTOR | 1 | | | 710 |
| -1 | 209-70550-08 | YOKE CP | 1 | | | 710 |
| -2 | 209-70551-08 | BRUSH, starter | 4 | | | 710 |
| -3 | 209-70545-08 | SPRING, starter brush | 4 | | | 710 |
| -4 | 209-70530-08 | HOLDER, brush | 1 | | | 710 |
| -5 | 209-70552-08 | INSULATOR | 1 | | | 710 |
| -6 | 209-70554-08 | ARMATURE AY | 1 | | | 710 |
| -7 | 209-70521-08 | OVER RUNNING CLUTCH | 1 | | | 710 |
| -8 | 279-70550-08 | HOUSING CP | 1 | | | 710 |
| -9 | 209-70511-08 | BUSH, starter housing | 1 | | | 710 |
| -10 | 209-70505-18 | FRAME CP | 1 | | | 710 |
| -11 | 209-70510-08 | BUSH, starter | 1 | | | 710 |
| -12 | 209-70525-08 | LEVER | 1 | | | 710 |
| -13 | 279-70515-08 | MAGNETIC SWITCH | 1 | | | 710 |
| -14 | 234-70555-08 | COLLAR, pinion stop | 1 | | | 710 |
| -15 | 209-70557-08 | SNAP RING | 1 | | | 710 |
| -16 | 209-70558-08 | THROUGH BOLT | 2 | | | 710 |
| -17 | 949-29970-02 | NUT | 2 | | | 710 |
| -18 | 209-70560-08 | NUT | 1 | | | 710 |
| -19 | 209-70562-08 | SPRING WASHER | 1 | | | 710 |
| -20 | 209-70563-08 | NUT | 1 | | | 710 |
| | | | | | | |
| | | | | | | |
| | | | | | | |
| | | | | | | |
| | | | | | | |
| | | | | | | |
| | | | | | | |
| | | | | | | |
| | | | | | | |
| | | | | | | |
| | | | | | | |
| | | | | | | |
| | | | | | | |
| | | | | | | |
| | | | | | | |
| | | | | | | |
| | | | | | | |
| | | | | | | |
| | | | | | | |
| | | | | | | |
| | | | | | | |
| | | | | | | |

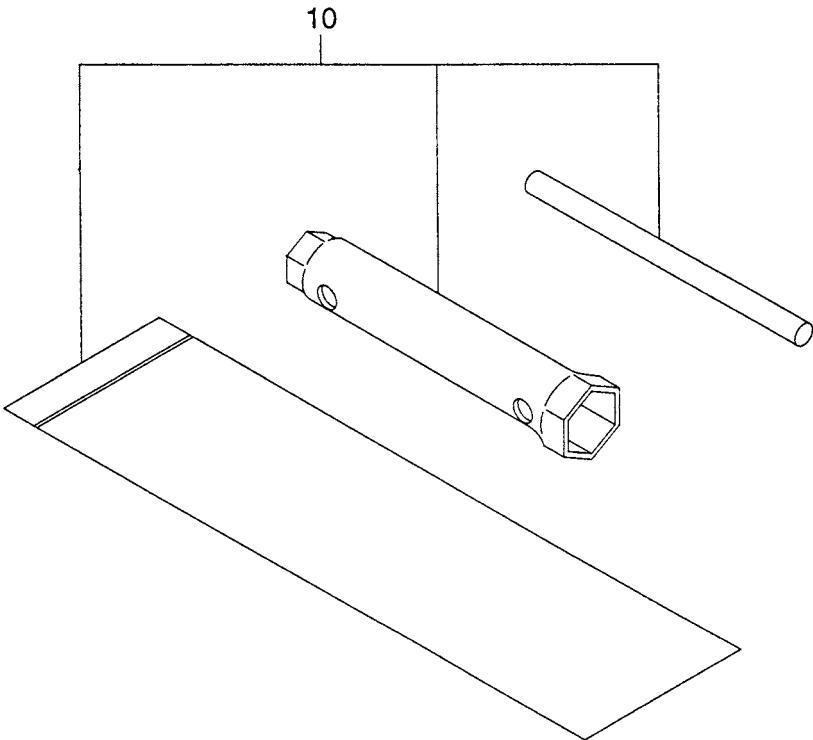
SECTION 7 ELECTRIC DEVICE GROUP - CONTROL BOX

FIG. 720



SECTION 9 ACCESSORY GROUP

FIG. 900



PRINTED IN THE USA