



# Gasoline Powered Pressure Washers

Operating Instructions and Parts Manual

**PW2575**



FRANÇAISE: Page Fr1  
ESPAÑOL: Página Sp1

IN469404AV 7/12  
© 2012 Campbell Hausfeld/Scott Fetzer

## Table of Contents

---

Description.....	3	Initial High Pressure Rinse.....	12
Specifications.....	3	Adjusting the Spray Fan Angle.....	12
Safety Guidelines .....	4	Angle to the Cleaning Surface .....	12
Safety Symbols .....	4	Distance From Cleaning Surface... ..	12
Important Safety Information.....	4	How to Avoid Damaging Surfaces.. .	13
Instructions Pertaining to a Risk of Fire, Electric Shock, or Injury to Persons ...	4	Detergent Application.....	13
California Proposition 65 .....	4	Detergents .....	13
General .....	4	General Cleaning Tips .....	13
Work Area.....	4	Cleaning Power.....	13
Personal Safety .....	4	Final Rinse .....	13
Tool Use and Care .....	5	Pressure Relief Procedure .....	14
Service.....	5	Shutdown.....	14
Frequently Asked Questions .....	6	Storage .....	14
Unpacking .....	7	Long Term Storage Instructions ...	14
Contents in the Carton .....	7	Winterizing Instructions .....	14
Additional Items Not Included .....	7	Tips For Extending The Life Of Your Pressure Washer .....	14
Glossary.....	8	<b>Maintenance .....</b>	<b>15</b>
Getting To Know Your Pressure Washer.....	9	Engine Oil Changing Instructions ...	15
Recommended Uses for this Pressure Washer.....	9	Maintenance Schedule.....	15
Assembly and Pre-operation .....	10	Technical and Consumer Information .....	15
Assembly .....	10	<b>Troubleshooting Guide.....</b>	<b>16</b>
Trigger Safety Latch.....	11	<b>Replacement Parts List .....</b>	<b>18</b>
Operation .....	11	<b>Warranty.....</b>	<b>22</b>
Surface Preparation.....	11		
Start Up.....	11		

---

### For parts, product and service information

**Visit:** [www.chpower.com](http://www.chpower.com)

**Call:** Customer Service at 1-800-330-0712

**Address any correspondence to:** Campbell Hausfeld  
Attn: Customer Service  
100 Mundy Memorial Drive  
Mt. Juliet, TN 37122



# Gasoline Powered Pressure Washers



## Description

These consumer gasoline pressure washers are designed for small to medium projects. They are great for projects in maintenance shops, farms, homes or buildings, concrete drives/sidewalks and heavy equipment.

All carts are durable steel construction, welded and powder-coated for longevity. These pressure washers are proudly built in Tennessee with heavy-duty, reliable Honda engines.



Figure 1 - Model PW2575

## Specifications

**Model PW2575**

Honda GCV160

Aluminum-head Pump

#2.5 Tip

**Pressure:** 2700 psi (18,617 kPa)

**Flow:** 2.4 GPM

Please record Model Number and Serial Number for use when contacting the manufacturer:

Model No.: \_\_\_\_\_

Serial No.: \_\_\_\_\_

Purchase Date: \_\_\_\_\_

Purchase Place: \_\_\_\_\_

For information about this product, call 1-800-330-0712.

### Safety Guidelines

This manual contains information that is very important to know and understand. This information is provided for SAFETY and to PREVENT EQUIPMENT PROBLEMS. To help recognize this information, observe the following symbols.

**⚠ DANGER** *Danger indicates an imminently hazardous situation which, if not avoided, WILL result in death or serious injury.*

**⚠ WARNING** *Warning indicates a potentially hazardous situation which, if not avoided, COULD result in death or serious injury.*

**⚠ CAUTION** *Caution indicates a potentially hazardous situation which, if not avoided, MAY result in minor or moderate injury.*

**NOTICE** *Notice indicates important information, that if not followed, may cause damage to equipment.*

**IMPORTANT:** Information that requires special attention.

### Safety Symbols

The following Safety Symbols appear throughout this manual to alert you to important safety hazards and precautions.



Read Manual First



Risk of Explosion



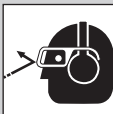
Risk of Fire



Risk of Falling



Risk of Personal Injury



Wear Eye and Hearing Protection

### Important Safety Information

#### INSTRUCTIONS PERTAINING TO A RISK OF FIRE, ELECTRIC SHOCK, OR INJURY TO PERSONS

This manual contains important safety, operational and maintenance information. If you have any questions, please call 1-800-330-0712 for customer assistance.

**⚠ WARNING** *When using tools, basic precautions should always be followed, including the following:*

#### CALIFORNIA PROPOSITION 65

**⚠ WARNING** *This product or its power cord may contain chemicals known to the State of California to cause cancer and birth defects or other reproductive harm. Wash hands after handling.*

#### GENERAL

- To reduce the risks of electric shock, fire, and injury to persons, read all the instructions before using the tool. Failure to follow warnings, dangers, and cautions could result in DEATH or SERIOUS INJURY.
- Be thoroughly familiar with the controls and the proper use of the equipment. Follow all instructions. Contact your Campbell Hausfeld representative if you have any questions.
- Only persons well acquainted with these rules of safe operation should be allowed to use the unit.
- Follow all safety codes as well as the Occupational Safety and Health Act (OSHA).



#### WORK AREA

- Keep operation area clear of all persons.
- To reduce the risk of injury, close supervision is necessary when the product is used near children.
- Do not operate the tool in explosive atmospheres, such as in the presence of flammable liquids, gases, or dust. The tool is able to create sparks resulting in the ignition of the dust or fumes.
- NEVER spray flammable liquids or use pressure washer in areas containing combustible dust, liquids, or vapors.
- Never operate this machine in a closed building or in or near an explosive environment.



#### PERSONAL SAFETY

- Stay alert. Watch what you are doing and use common sense when operating the tool. Do not use the tool while tired or under the influence of drugs, alcohol, or medication. A moment of inattention while operating the tool increases the risk of injury to persons.
- Dress properly. Do not wear loose clothing or jewelry. Contain long hair. Keep hair, clothing, and gloves away from moving parts. Loose clothes, jewelry, or long hair increases the risk of injury to persons as a result of being caught in moving parts.
- Do not overreach. Keep proper footing and balance at all times. Proper footing and balance enables better control of the tool in unexpected situations.



**⚠ WARNING** *Risk of injection or severe injury. Keep clear of nozzle. Do not discharge streams at persons. This product is to be used only by trained operators. Always remove lance from gun before cleaning debris from tip.*



## Important Safety Information (Continued)

- d. Keep clear of nozzle. NEVER direct high pressure spray at a person, animal, or yourself.
- e. NEVER put hand or fingers over the spray tip while operating the unit.
- f. NEVER try to stop or deflect leaks with any body part.

### **WARNING**

*Ensuring that the tool is used only when the operator and all other personnel in the work area are wearing ANSI Z87 eye protection equipment, and when required, other appropriate protection equipment such as head, hearing protection, gloves, rubber boots, protective clothing when operating and performing maintenance. Serious eye or permanent hearing loss could result.*



### TOOL USE AND CARE

### **WARNING**

*Do not use pressure that exceeds the operating pressure of any of the parts (hoses, fittings, etc.) in the pressurized system. Ensure all equipment and accessories are rated to withstand the maximum working pressure of the unit.*

### **WARNING**

*Explosion hazard:*

- a. Maintain the tool with care. A properly maintained tool reduces the risk of problems and is easier to control.
- b. Ensure safety devices are operating properly before each use. DO NOT remove or modify any part of the gun or unit.
- c. NEVER operate the machine without all components properly connected to the machine (handle, gun/wand assembly, nozzle, etc.).
- d. Know how to stop this product and bleed pressure quickly. Be thoroughly familiar with the controls.
- e. ALWAYS engage the trigger safety latch in the safe position when spraying is stopped even if only for a few moments.
- f. NEVER permanently engage the trigger mechanism on the gun.
- g. ALWAYS follow detergent manufacturer's label recommendations for proper use of detergents. Always protect eyes, skin, and respiratory system from detergent use.
- h. NEVER disconnect the high pressure discharge hose from the machine while the system is pressurized. To depressurize machine, turn power and water supply off, then press the gun trigger 2-3 times.
- i. Do not remove fuel tank cap or fill fuel tank while engine is hot or running (allow engine to cool two minutes before refueling). Always fill the tank slowly.
- j. Follow the maintenance instructions specified in the manual.

### **NOTICE**

*Equipment damage:*

- k. ALWAYS turn water supply "ON" before turning pressure washer "ON." **Running pump dry causes serious damage.**
- l. Do not operate the pressure washer with the inlet water screen removed. Keep screen clear of debris and sediment.
- m. NEVER operate pressure washer with broken or missing parts. Check equipment regularly and repair or replace worn or damaged parts immediately.
- n. Use only the nozzles supplied with this machine.
- o. NEVER leave the wand unattended while the machine is running.
- p. ALWAYS hold gun and wand firmly when starting and operating the machine.
- q. NEVER allow the unit to run with the trigger released (off) for more than one minute. Resulting heat buildup will damage the pump.
- r. NEVER store the pressure washer outdoors or where it could freeze. Freezing temperatures can seriously damage the pump.
- s. NEVER tamper with the engine governor or attempt to alter factory settings. Altering factory settings could damage the unit and will void the warranty.

### SERVICE

- a. **When servicing a tool, use only identical replacement parts. Use only authorized parts.**

### SAVE THESE INSTRUCTIONS — DO NOT DISCARD

**NOTE:** *The DANGER, WARNING, CAUTION, and NOTICE notifications and instructions in this manual cannot cover all possible conditions and situations that may occur. It must be understood by the operator that common sense and caution are factors which cannot be built into this product, but must be supplied by the operator.*



## Frequently Asked Questions

### ***How do I start my pressure washer?***

1. Make sure you have oil in the engine and gas in the tank. The engine does not come with oil.
2. Turn the water on, then trigger the gun to make sure the water will flow smoothly out of the tip.
3. Open the fuel shutoff valve by turning the knob counterclockwise until it stops.
4. Close the choke (if engine is cold) by moving the choke ring fully to the right.
5. Set the shut off switch to "ON."
6. Pull the trigger (to relieve any back pressure in the pump) while pulling the starter cord.

### ***What type of oil do I use?***

Engine: The engine DOES NOT COME FILLED WITH OIL. See Page 15 for engine oil types and quantities.

Pump: The pump comes filled with the correct amount of oil. Refer to Page 15 of this manual for oil changing instructions, oil types and quantities.

### ***Why don't I have any water pressure?***

- Is the water hose attached to the pressure washer?
- Is the water turned on?
- Check for any kinks, leaks, or blockage in the hoses, fittings, or the nozzle.
- Is the quick connect tip in place? (See Page 10).
- Is the inlet filter screen free of debris? Check and remove debris if needed.

### ***How do I get high pressure?***

- Use any color tip except black. The black tip is only used for low pressure detergent application.

### ***How do I get the soap suction to work?***

1. Connect the clear plastic chemical suction tube to the hose barb on pump, insert the other end into your detergent.
2. Install the black spray tip to apply low pressure detergent.

### ***Why doesn't the pressure washer apply detergents with high pressure?***

Detergents "bounce" off cleaning surfaces as fast as they are applied. The pressure washer's features allow for a detergent to be drawn while in low pressure mode only. By applying detergent at low pressure, the effect of "bouncing" is reduced. Also, detergents are only effective when time is allowed for them to work on the surface of whatever is being cleaned. After applying the detergent, wait 1-3 minutes while it works, and then proceed to rinse the surface with high pressure.

### ***What maintenance do I need to perform on my pressure washer?***

1. After turning off the pressure washer and the water, depressurize the hose by triggering the gun.
2. Remove the garden hose and high pressure hose from the pump.
3. Pull the start rope slowly five times to purge water from the pump. This will help protect the pump from damage.
4. Do not store your pressure washer in an area where the temperature will drop below 32° F.
5. Follow proper storage and winterizing instructions found on page 14.

### ***What do I do if I'm missing a part?***

Call Campbell Hausfeld at 1-800-330-0712 and we will promptly replace your missing parts for the first 90 days of ownership.  
**DO NOT RETURN THE PRESSURE WASHER TO THE RETAILER!**

### ***Where can I buy accessories for my pressure washer?***

- If you can't find accessories at the store where you purchased your pressure washer, call Campbell Hausfeld at 1-800-330-0712 or visit our website at [www.chpower.com](http://www.chpower.com).

### ***Who do I call if I have questions or problems?***

Call Campbell Hausfeld at 1-800-330-0712 (U.S.A.)

Unpacking



Figure 2

CONTENTS IN THE CARTON

- ◆ One pressure washer (pump, motor, and cart base)
- ◆ One cart handle assembly
- ◆ One spray gun and quick connect lance
- ◆ Two spray tips
- ◆ One high pressure hose
- ◆ One pack of nuts, bolts, and manuals
- ◆ Soap tank and lid

ADDITIONAL ITEMS NOT INCLUDED

- ◆ ANSI Z87 Eye Protection
- ◆ Garden Hose

After unpacking the unit, inspect carefully for any damage that may have occurred during transit. Check for loose, missing or damaged parts. Make sure to tighten fittings, bolts, etc., before using the pressure washer. Check to be sure all supplied accessories are enclosed with the unit. If any parts are missing, **DO NOT RETURN THE UNIT TO THE RETAILER.** Know the unit's model number (located on the serial number tag on the pressure washer frame) and call 1-800-330-0712 for replacement parts.

**⚠ WARNING** *Do not operate the unit if it's damaged during shipping, handling, or use. Damage could result in bursting and cause injury or property damage.*

**Read & Follow All Instructions**

**Save These Instructions**  
**Do Not Discard**

## Glossary

Become familiar with these terms before operating the unit.

**CAVITATION** - The shock of thousands of bubbles collapsing inside the pump quickly, pitting metal surfaces and seals. Cavitation is caused by lack of water at the inlet of the pump.

**CHEMICAL INJECTOR** - A chemical injector allows the chemical or soap to be injected into the water stream, making cleaning faster and easier than water alone.

**DETERGENT INJECTION SYSTEM** - Cleaning detergents are drawn into the water stream making cleaning more effective by allowing detergents to saturate the soiled surface.

**GPM (GALLONS PER MINUTE)** - More water per minute can mean faster cleaning, especially when washing off materials like mud and road tar.

**HIGH PRESSURE OUTLET** - A connection for high pressure hose.

**HP (HORSEPOWER)** - A unit of measure for work.

**NOZZLE (QUICK CONNECT SPRAY TIPS)** - The nozzle is the restriction at the end of the wand that creates the pressure. Nozzles have different spray patterns that can affect the width and strength of the spray. The 40-degree (white) nozzle delivers a flat spray of about 40-degrees. There's also a 25-degree (green) and the most popular 15-degree (yellow) nozzles. The 0-degree (red) nozzle should be used with caution, it can cut into wood and cause damage.

**NOTE:** The 0-degree (red) tip, the 25-degree (green) tip, and the 40-degree (white) tip are not supplied with this unit. These tips are available for purchase - see parts list for part number and ordering information.

**PSI (POUNDS PER SQUARE INCH)** - A unit of measure for pressure. It determines how much pressure is directly applied on the surface being cleaned. The pressure that is delivered by the pressure washer is directly responsible for breaking the bond between the debris and the surface being cleaned.

**THERMAL RELIEF** - A technique used to reduce the build-up of high temperature water within a pressure washer pump caused when the spray gun trigger is closed. This system prevents internal pump damage by cycling water through pump when water reaches maximum water temperature. Warm water will discharge from pump onto ground.

**UNLOADER** - A device used to relieve the water pressure within the pump whenever the spray flow is blocked. It allows the motor to continue running when the operator releases the trigger on the spray gun and stops washing. It diverts the pressure, that would build up without the unloader, by taking the water from the exit side of the pump and loops it back to the inlet side in a continuous "bypass" mode. The unloader will return the flow of water to the spray gun when the operator presses the trigger.

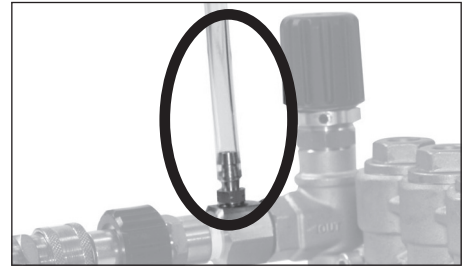


Figure 3 - Chemical Injector

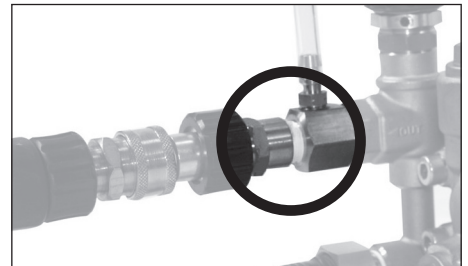


Figure 4 - High Pressure Outlet



Figure 5 - Nozzle or Quick Connect Spray Tips

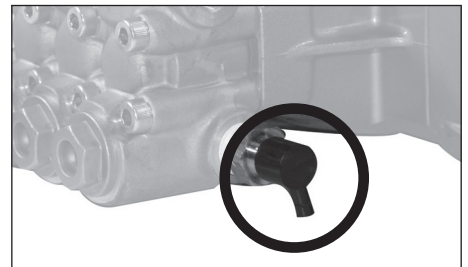
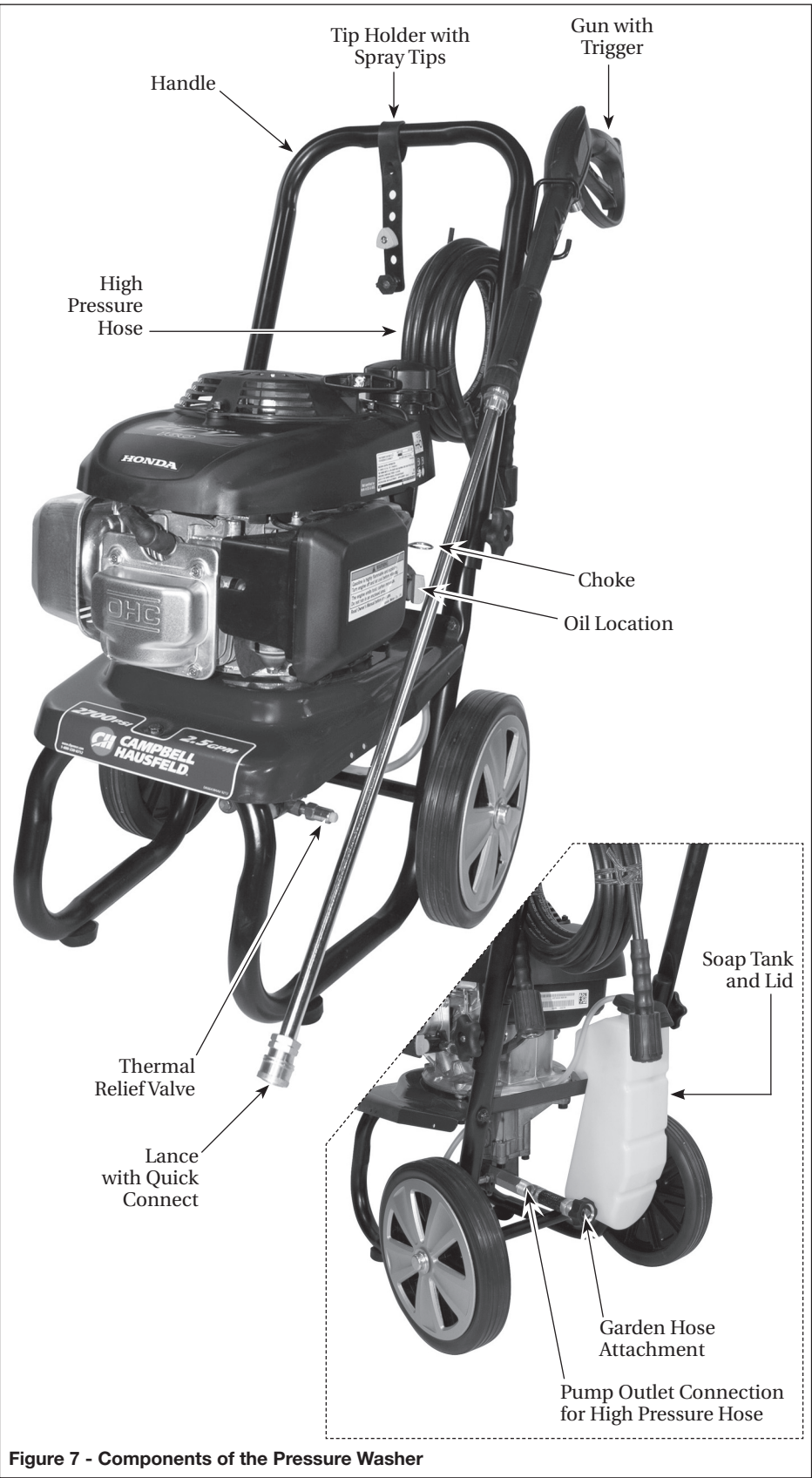


Figure 6 - Thermal Relief Valve



Getting To Know Your Pressure Washer



RECOMMENDED USES FOR THIS PRESSURE WASHER

- ◆ Patio
- ◆ Deck
- ◆ Siding
- ◆ Brick
- ◆ Concrete
- ◆ Asphalt
- ◆ Metal
- ◆ Wood
- ◆ Vehicles
- ◆ Garage/Shops
- ◆ Home exteriors
- ◆ Building exteriors

Figure 7 - Components of the Pressure Washer

## Assembly and Pre-Operation

### ASSEMBLY

1. Slide the handle assembly over the lower legs of the cart base. Use the supplied nuts and bolts to secure the handle to the legs (see Figure 8).
2. Secure garden hose (not included) to the garden hose attachment on pump (see Figure 9).
3. Connect the high pressure hose to the pump outlet (see Figures 9 and 10).
4. Attach the lance to the gun (see Figure 11).

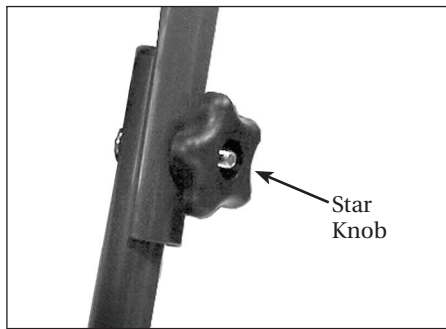


Figure 8 - Assemble handle

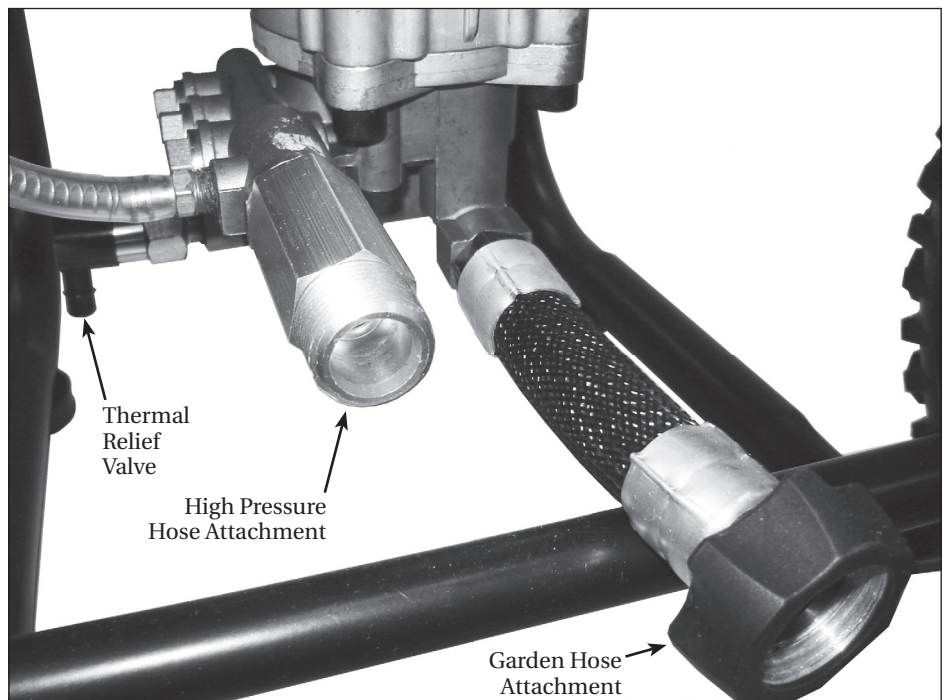


Figure 9 - Pump hook up

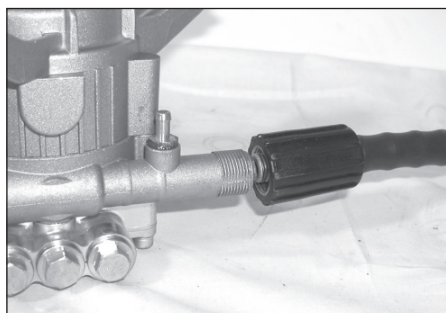


Figure 10 - Connect high pressure hose to pump



Figure 11 - Attach lance to gun

## Assembly and Pre-Operation (Continued)

- Install quick connect tip by pulling back on collar and pressing in tip. Release collar, make sure it completely returns to its forward position and tip is secure (see Figure 12).
- Install quick connect tips to tip holder and secure to the pressure washer handle (see Figure 13).

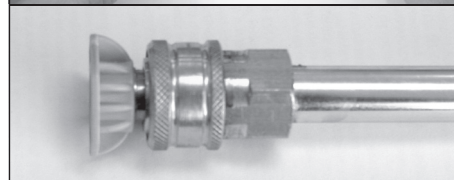
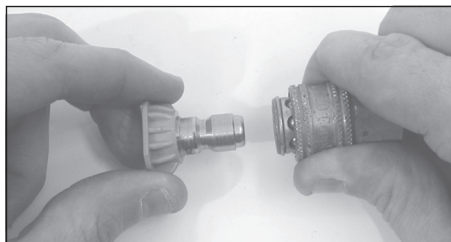


Figure 12 - Inserting quick connect tip

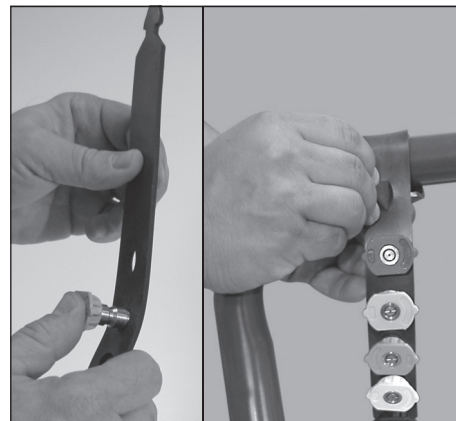


Figure 13 - Insert spray tips into rubber tip holder

### TRIGGER SAFETY LATCH

In the engaged position, the trigger safety latch prevents the gun from being triggered accidentally. Push the latch fully up to engage it (See Figure 14 and 15).

Always engage the trigger safety latch when the unit is not in use.

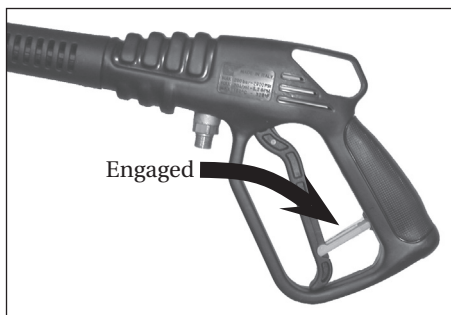


Figure 14 - Trigger locked

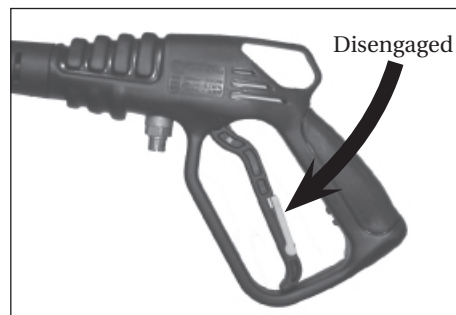


Figure 15 - Trigger unlocked

## Operation

### SURFACE PREPARATION

The following cleaning procedure will help you organize your cleaning task and ensures that you will achieve the best results in the shortest amount of time. Remember to use the spraying/ cleaning techniques mentioned in the following section.

Before starting a pressure washer cleaning job, prepare the surface you intend to clean. Clear furniture from the area and make sure that all windows and doors are closed tightly. Also, protect all plants and trees near the cleaning area with a drop cloth. A covering ensures that your plants won't be sprayed by the detergents.

### START UP

ALWAYS use this start up procedure to ensure that the unit is started safely and properly.

#### NOTICE

*If water has frozen in the pressure washer, thaw the pressure washer in a warm room before starting. DO NOT pour hot water on or into the pump; internal parts will be damaged.*

- Check engine oil levels. Add oil as necessary.
- Check fuel level. Add unleaded gasoline (rated 86 octane or higher) as required.

#### WARNING

*DO NOT refuel a hot engine. Refueling a hot engine could cause a fire. Use only fresh, clean regular or unleaded gasoline. Close the fuel shutoff valve during refueling.*

- Attach a garden hose to the inlet side of the pump and connect it to the water supply. Use a hose with an internal diameter (I.D.) of 5/8 in. (1.58 cm) and a length of 50 ft. (15 m) or less.



## Operation (Continued)

### START UP (CONTINUED)

#### NOTICE

*Some local plumbing codes require backflow prevention when connecting to a fresh water supply. Install a backflow preventer upstream from the pump if necessary.*

- a. If inlet water pressure is over 100 psi, install a regulating water valve at the garden hose connection.
- b. Do not exceed 100° F (38° C) inlet water temperature.

**NOTE:** The inlet water supply must have a minimum flow rate of 5 gpm (19 lpm).

4. Turn the water supply ON.

#### NOTICE

*Never run the unit dry. Be sure the water supply is completely turned on before operating the unit.*

5. Trigger the gun until water sprays smoothly from the tip indicating that all air is purged from the system. Lock the trigger safety latch.
6. Open the fuel valve by turning the knob counterclockwise until it stops. Close the choke (if engine is cold) by moving the choke ring fully to the right. Turn the ignition switch to "ON".
7. Start the engine. Unlock the trigger safety latch on the gun (See Figure 15). Grasp the starter rope and brace one foot on the chassis. Point the gun in a safe direction. While squeezing the trigger on the gun, pull the starter rope rapidly and firmly (See Figure 16). Continue holding the rope as it returns. Repeat these steps until the engine starts.

#### CAUTION

*When pulling the starter rope, make sure to keep your hand and arm clear of the engine and cart components.*

#### NOTICE

*Never let the starter rope return by itself. Doing so could jam the recoil system.*

8. If the engine does not start after two or three pulls or if the rope is hard to pull, squeeze the gun trigger to release the pressure that has built up in the high pressure hose. Repeat Steps 7 and 8 until the engine starts.

### INITIAL HIGH PRESSURE RINSE

Spray the cleaning surface with water to clear off any dirt or grime that may have collected on the surface. Doing so allows the detergent to attack the deep down dirt that has worked its way into the cleaning surface.

#### Adjusting the Spray Fan Angle

Five quick connect tips are available for this pressure washer. The tips have a range of spray fan angles, ranging from 0°, narrow high impact, to a 65° wide fan spray.

Pressure can also be adjusted by moving closer or further away from the cleaning surface and by adjusting the spray fan angle as shown.

#### Angle to the Cleaning Surface

When spraying water against a surface, you can generate maximum impact by striking the surface head on. However, this type of impact can cause dirt particles to embed in the surface and can prevent the desired cleaning action.

The optimum angle for spraying water against a cleaning surface is 45°.

Spray water against a surface at a 45° angle to achieve the most beneficial impact force and to efficiently remove debris (see Figure 19).

#### Distance From Cleaning Surface

The distance between the spray tip and the cleaning surface is another factor that affects the impact force of the water. The impact force of the water increases as the tip is moved closer to the surface.



Figure 16 - Start the engine

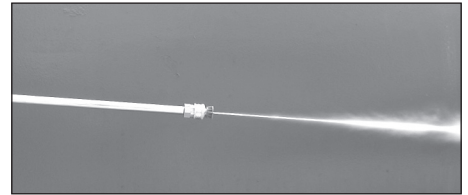


Figure 17 - Narrow high impact stream

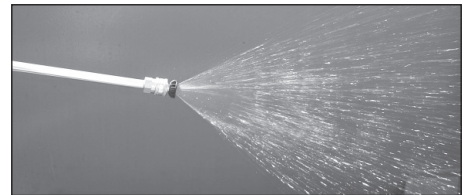


Figure 18 - Wide fan pattern



Figure 19 - Optimum angle to cleaning surface

## Operation (Continued)

The color of the tip shows what spray angle it is:

**Red** – 0° – Maximum Duty\*

**Yellow** – 15° – Heavy Duty

**Green** – 25° – General Duty\*

**White** – 40° – Light Duty\*

**Black** – 65° – Low Pressure Detergent

**NOTE:** Use orifice size 2.5

\* = Not included with this unit

### How to Avoid Damaging Surfaces

Damage to cleaning surfaces occurs because the impact force of the water exceeds the durability of the surface. You can vary the impact force by controlling the spray tip angle to the cleaning surface and the distance from the cleaning surface and by changing the spray tip. NEVER use a narrow high impact stream on a surface that is susceptible to damage. Avoid spraying windows with a narrow high impact stream. Doing so may break the window. The most sure way to avoid damaging surfaces is to follow these steps:

1. Before triggering the gun, make sure the quick connect tip you are using is appropriate for the application.
2. Place the spray tip approximately 4-5 feet (1,22-1,52 m) away from the cleaning surface. Then hold the lance and spray tip at a 45° angle to the cleaning surface. Trigger the gun.
3. Vary the fan pattern spray angle and the distance to the cleaning surface until optimum cleaning efficiency is achieved without damaging the surface.

### DETERGENT APPLICATION

**NOTE:** Use only detergents formulated for pressure washers. Test detergent in an inconspicuous area before use. Do not use bleach with this pressure washer unit.

#### Detergents

The use of detergents can dramatically reduce cleaning time and assist in the removal of difficult stains. Many detergents are customized for pressure washer use on specific cleaning tasks. Pressure washer detergents are as thick as water. Using thicker detergents – like dish soap – will clog the chemical injection system and prevent the application of the detergent.

Once applied to a cleaning surface, detergents take time to break down dirt and grime. Detergents work best when applied at low pressure.

You can effectively clean surfaces by combining the chemical action of detergents with high pressure rinses. On vertical surfaces, apply the detergent starting at the bottom and work your way upward. This method prevents the detergent from sliding down and causing streaks. Begin high pressure rinsing at the bottom and work your way upward. On particularly tough stains, use a brush in combination with detergents and high pressure rinsing.

1. Follow manufacturer's label directions for mixing correct concentrations of soap/detergents. The soap detergent to water ratio through the pump is approximately 12% (1 to 8).
2. Insert the filter end of the clear plastic detergent tube into the detergent container.
3. Install 65° (Black) Low Pressure Detergent Tip in the quick connect fitting on the end of the lance.

**▲ WARNING** NEVER replace quick connect tip when gun is triggered. Always engage trigger lock on gun before removing or installing quick connect tips.

### General Cleaning Tips

1. Apply the detergent so that it thoroughly covers the cleaning surface. Apply the detergent from bottom to top to prevent the detergent from sliding down and streaking. Wait a couple of minutes for the detergent to break down the dirt and grime. Use a brush to lightly scrub heavily soiled areas. Never allow the detergent to dry on the cleaning surface.
2. To rinse: replace black 65° spray tip with another color tip.

**▲ WARNING** Never replace quick connect tip when gun is triggered. Always engage trigger lock on gun before removing or installing quick connect tips.

3. After using detergents, flush the suction system by placing the detergent suction tube into a bucket of clean water and spraying with the black spray tip.

### CLEANING POWER

The easiest way to regulate the cleaning power of your pressure washer is by changing the distance from the surface you are cleaning. Begin spraying with a wide fan pattern while standing several feet from the surface. Slowly move closer to the object you are cleaning, adjusting the spray pattern as necessary, until you find the most effective cleaning technique.

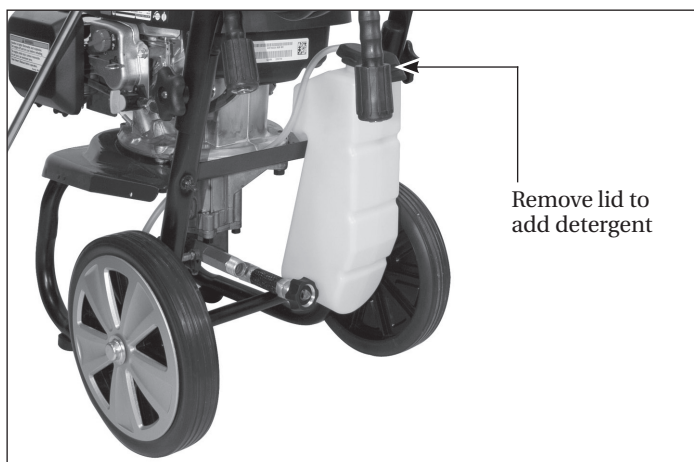


Figure 20 - Soap (detergent) tank



## Operation (Continued)

### FINAL RINSE

The final rinse should start at the bottom and work upward. Make sure that you thoroughly rinse the surface and that you remove all detergent.

### PRESSURE RELIEF PROCEDURE

To reduce the risk of bodily injury or property damage, always follow this procedure whenever spraying is stopped, when work is completed, and before checking or repairing any part of the system.

1. Engage the trigger safety latch.
2. Turn the unit off.
3. Shut off the water supply.
4. Disengage the trigger safety latch and trigger the gun to relieve pressure.
5. Re-engage the trigger safety latch.
6. When checking or repairing unit, remove ignition cable from the spark plug.
7. Before overnight storage, long term storage, or transporting unit, disconnect the water supply and turn off the fuel supply valve.

### SHUTDOWN

1. Be sure all detergent is flushed from system.
2. Turn the engine OFF.
3. Turn the water supply OFF.
4. After the motor and water supply are turned off, trigger the gun to depressurize the system.

**NOTICE** NEVER turn the water supply off before turning the engine/motor off. Serious damage could occur to the pump and/or engine/motor.

**CAUTION** NEVER disconnect the high pressure discharge hose from the machine while the system is pressurized. To depressurize, turn engine/motor off, turn water supply off and squeeze gun trigger 2-3 times.

5. After each use, wipe all surfaces of the pressure washer with a clean, damp cloth.

### STORAGE

- Do not store the pressure washer outdoors.
- Do not store the pressure washer where it might freeze unless it has been properly winterized.

### Long Term Storage Instructions (more than 30 Days in storage)

1. Remove fuel from the tank and run the pressure washer in a normal operating mode until the engine stops from a lack of fuel. Normal operating mode means actually spraying water from the gun while the engine is running.

Alternate method – Add fuel stabilizer to gas in the tank and run in normal operating mode for at least five minutes.

2. Stop the engine, turn off the water supply, and trigger the gun to release pressure in the high-pressure hose.
3. Disconnect the water supply and high pressure hose from the pump.
4. Allow the engine to cool.
5. Disconnect the spark plug wire and remove the spark plug.
6. Pour 1/2 oz. of engine oil into the spark plug hole.

**WARNING** Never pull the starter rope on the engine when the spark plug is removed unless the spark plug hole is covered. Fuel vapor from the hole can ignite by a spark.

7. Place a rag over the spark plug hole and slowly pull the starter rope several times to distribute the oil.

### WINTERIZING INSTRUCTIONS

1. Follow and complete the Long Term Storage Instructions.
2. Disconnect the spark plug wire.
3. Disconnect the high pressure hose from the pump.
4. Insert a 12 in. to 14 in. piece of garden hose into the pump inlet.
5. Place a funnel in the other end of the garden hose.

**NOTICE** Read the manufacturer's instructions for safe handling and disposal of RV antifreeze.

6. Pour approximately 6 oz. of RV antifreeze into the funnel.
7. Pull the starter rope several times until the RV antifreeze comes out of the pump outlet.
8. Disconnect the high pressure hose from the gun and drain the hose. Hold the gun and lance in a vertical position and squeeze the trigger to drain the water out.

### TIPS FOR EXTENDING THE LIFE OF YOUR PRESSURE WASHER

1. Never operate the unit without water.
2. Your pressure washer is not meant to pump hot water. Never connect your pressure washer to a hot water supply as it will significantly reduce the life of the pump.
3. Running the unit for more than one minute without spraying water causes heat to build up in the pump. Running the unit without spraying water can damage pump components.

**Maintenance**

Observe regular maintenance intervals to ensure maximum performance and life from the pressure washer. Refer to the schedule for recommended maintenance. If you operate the pressure washer in dusty conditions, perform maintenance checks more often.

**ENGINE OIL CHANGING INSTRUCTIONS**

Drain the engine oil when the engine is warm. Warm oil drains quickly and completely.

1. Turn the fuel valve to the OFF position to reduce the possibility of fuel leakage.
2. Place a suitable container next to the engine to catch the used oil.
3. Remove the oil filler cap/dipstick and drain the oil into the container by tipping the engine toward the oil filler neck.

Please dispose of used motor oil in a manner that is compatible with the environment. We suggest you take used oil in a sealed container to your local recycling center or service station for reclamation. Do not throw into the trash, pour it on the ground, or pour it down a drain.

4. With the engine in a level position, fill to the upper limit mark on the dipstick with the recommended oil.

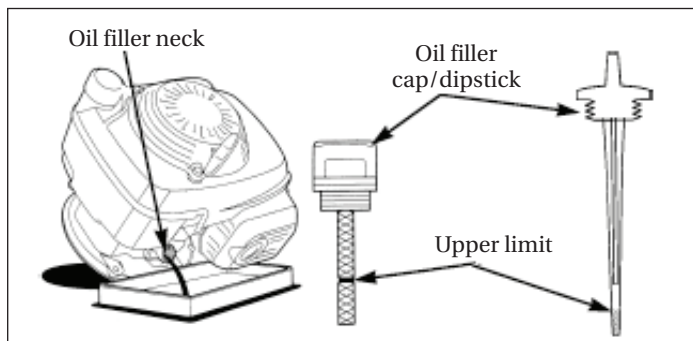


Figure 21 - Oil drain and fill locations

**NOTICE** *Running the engine with a low oil level can cause engine damage.*

5. Reinstall the oil filler cap/dipstick securely.

**PUMP OIL CHANGING INSTRUCTIONS**

Changing or refilling the oil in the pump requires removal of the pump from the engine and should not be required unless oil has leaked out due to worn or damaged oil seals in the pump. If oil has leaked out of the pump, bring the pressure washer to a certified Campbell Hausfeld service center for repair.

**MAINTENANCE SCHEDULE**

Maintenance Schedule	Action needed
Daily	<ul style="list-style-type: none"> <li>• Check water inlet screen and filter.</li> <li>• Check engine oil levels. Fill as necessary.</li> <li>• Check gasoline level. Fill as necessary.</li> </ul>
After first 5 hours of operation	<ul style="list-style-type: none"> <li>• Change engine break-in oil. Use 10W-30 automotive detergent oil. See your Honda Owner's manual for specific information.</li> </ul>
Every 25 hours of operation	<ul style="list-style-type: none"> <li>• Change oil if operating under heavy load or high ambient temperature.</li> <li>• Clean or replace paper air cleaner cartridge. Tap gently to remove dirt.</li> </ul>
Every 50 hours of operation	<ul style="list-style-type: none"> <li>• Change oil.</li> <li>• Replace spark plug.</li> </ul>
Each 100 hours of operation or every 3 months	<ul style="list-style-type: none"> <li>• Replace paper air cleaner cartridge.</li> <li>• Change engine oil.</li> </ul>

**TECHNICAL AND CONSUMER INFORMATION**

Horizontal Oriented Pressure Washers	
<b>Engine Oil Type</b>	SAE 10W-30 SAE 30W (Above 60° F)
<b>Engine Oil Capacity</b>	Honda Engines 18.5 fl. oz.
<b>Engine Fuel Capacity</b>	Honda Engines 0.29 gallons
<b>Pump Oil Type</b>	Wobble Pumps 80w90 gear oil
<b>Pump Oil Capacity</b>	Vertical Wobble Pumps 2.7 fl. oz.
<b>Pump Detergent Suction</b>	Water to detergent ratio 8 to 1 (12% detergent)
<b>Water Supply Requirements</b>	
Minimum inlet pressure	20 psi
Maximum inlet pressure	100 psi
Maximum inlet temperature	100° F
Minimum inlet flow rate	5 gpm
Inlet garden hose size	5/8 inch I.D.
Maximum inlet garden hose length	50 feet

## Troubleshooting Guide

SYMPTOM	CAUSE	SOLUTION
Engine will not start or is hard to start	<ol style="list-style-type: none"> <li>1. No gasoline in fuel tank or carburetor</li> <li>2. Low oil</li> <li>3. Start/Stop switch in stop position</li> <li>4. Water in gasoline or old fuel</li> <li>5. Dirty air cleaner filter</li> <li>6. Spark plug dirty, wrong gap or wrong type</li> <li>7. Spray gun closed</li> <li>8. Other causes</li> </ol>	<ol style="list-style-type: none"> <li>1. Fill the tank with gasoline, open fuel shut off valve. Check fuel line and carburetor</li> <li>2. Check oil level. Fill if necessary</li> <li>3. Move switch to start position</li> <li>4. Drain fuel tank and carburetor. Use new fuel and dry spark plug</li> <li>5. Remove and clean or replace</li> <li>6. Clean, adjust the gap, or replace</li> <li>7. Trigger spray gun</li> <li>8. See engine owner's manual</li> </ol>
Engine misses or lacks power	<ol style="list-style-type: none"> <li>1. Partially plugged air cleaner filter</li> <li>2. Spark plug dirty, wrong gap or wrong type</li> </ol>	<ol style="list-style-type: none"> <li>1. Remove and clean or replace</li> <li>2. Clean, adjust the gap, or replace</li> </ol>
Low pressure and /or pump runs rough	<ol style="list-style-type: none"> <li>1. Worn or wrong size tip</li> <li>2. Inlet filter on pump clogged</li> <li>3. Worn water seals, abrasives in water, or natural wear</li> <li>4. Fouled or dirty inlet or discharge valves</li> <li>5. Restricted inlet</li> <li>6. Worn inlet or discharge valves</li> <li>7. Leaking high pressure hose</li> <li>8. Pump drawing in air</li> <li>9. Unloader valve seat faulty or worn</li> </ol>	<ol style="list-style-type: none"> <li>1. Replace with tip of proper size</li> <li>2. Clean. Check more frequently</li> <li>3. Check filter. Replace water seals. See service center or call customer service for replacement kits.</li> <li>4. Clean inlet and discharge valve assemblies. Check filter</li> <li>5. Check garden hose, may be collapsed or kinked. Check inlet water flow</li> <li>6. Replace worn valves</li> <li>7. Replace high pressure hose</li> <li>8. Ensure hoses and fittings are tight</li> <li>9. Check and replace</li> </ol>
Water leakage from under pump manifold	Worn water seals	Install new water seals. See service center or call customer service for replacement kits.
Water in pump crankcase (milky oil)	<ol style="list-style-type: none"> <li>1. Humid air condensing inside crankcase</li> <li>2. Oil seals leaking</li> </ol>	<ol style="list-style-type: none"> <li>1. Change oil as specified in maintenance schedule</li> <li>2. Install new oil seals. See service center or call customer service for replacement kits.</li> </ol>
Frequent or premature failure of the pump water seals	<ol style="list-style-type: none"> <li>1. Scored damaged or worn plungers</li> <li>2. Abrasive material in the fluid</li> <li>3. Inlet water temperature too high</li> <li>4. Overpressurizing pump</li> <li>5. Excessive pressure due to partially plugged or damaged tip</li> <li>6. Pump running too long without spraying</li> <li>7. Pump running dry</li> </ol>	<ol style="list-style-type: none"> <li>1. Install new plungers. See service center or call customer service for replacement kits.</li> <li>2. Install proper filtration on pump inlet plumbing</li> <li>3. Check water temperature; may not exceed 100° F</li> <li>4. Do not modify any factory set adjustments.</li> <li>5. Clean or replace tip.</li> <li>6. Never run pump more than 1 minute without spraying</li> <li>7. Do not run pump without water</li> </ol>
Strong surging at the inlet and low pressure	Foreign particles in the inlet or discharge valve or worn inlet and/or discharge valves	Clean or replace valves. See service center or call customer service for replacement kits.

*Continued on next page*

## Troubleshooting Guide

SYMPTOM	CAUSE	SOLUTION
Oil leakage between the engine and the pump	Worn oil seals and/or o-ring	See service center or call customer service for replacement kits.
Fluctuating pressure	<ol style="list-style-type: none"> <li>1. Valve worn, dirty or stuck</li> <li>2. Pump drawing in air</li> <li>3. Tip clogged</li> </ol>	<ol style="list-style-type: none"> <li>1. Check and replace</li> <li>2. Ensure hoses and fittings are tight. Purge air from garden hose</li> <li>3. Check or replace</li> </ol>
Pressure drops after period of normal use	<ol style="list-style-type: none"> <li>1. Worn pump water seals</li> <li>2. Nozzle worn</li> <li>3. Valve worn, dirty or stuck</li> <li>4. Unloader valve seat worn or dirty</li> <li>5. Nozzle in low psi position</li> </ol>	<ol style="list-style-type: none"> <li>1. Check and replace</li> <li>2. Check and replace</li> <li>3. Check, clean or replace</li> <li>4. Check, clean or replace</li> <li>5. Pull back nozzle to high pressure position</li> </ol>
Pump noisy / pump runs rough	<ol style="list-style-type: none"> <li>1. Pump drawing in air/low water supply</li> <li>2. Valves dirty or worn</li> <li>3. Worn bearings</li> <li>4. Water too hot</li> </ol>	<ol style="list-style-type: none"> <li>1. Ensure fittings are tight. Increase water pressure</li> <li>2. Check, clean or replace</li> <li>3. Check and replace</li> <li>4. Reduce temperature below 100° F</li> </ol>
Pressure washer will not spray detergent	<ol style="list-style-type: none"> <li>1. Not using soap tip</li> <li>2. Clog, kink, or hole in detergent suction hose</li> <li>3. Hose length too long</li> <li>4. Lance not functioning properly</li> </ol>	<ol style="list-style-type: none"> <li>1. Install 65 degree (black) soap tip</li> <li>2. If clean, unkink or replace hose.</li> <li>3. Use only hose length provided with initial purchase of pressure washer. Detergent suction will not function if more than one section of hose is attached to unit.</li> <li>4. Remove lance from gun. If detergent is dispensed through gun, the lance must be replaced. If no detergent is dispensed through gun, remove 1 inch tapered detergent barb from pump. Clean the barb, and make sure that ball and spring are properly aligned with tapered portion of the spring facing the ball. The ball should be on top of the spring.</li> </ol>

**For Replacement Parts or Technical Assistance, Call 1-800-330-0712**

Please provide following information:

- Model number
- Serial number (if any)
- Part description and number as shown in parts list

Address any correspondence to:

Campbell Hausfeld  
Attn: Customer Service  
100 Mundy Memorial Drive  
Mt. Juliet, TN 37122 U.S.A.

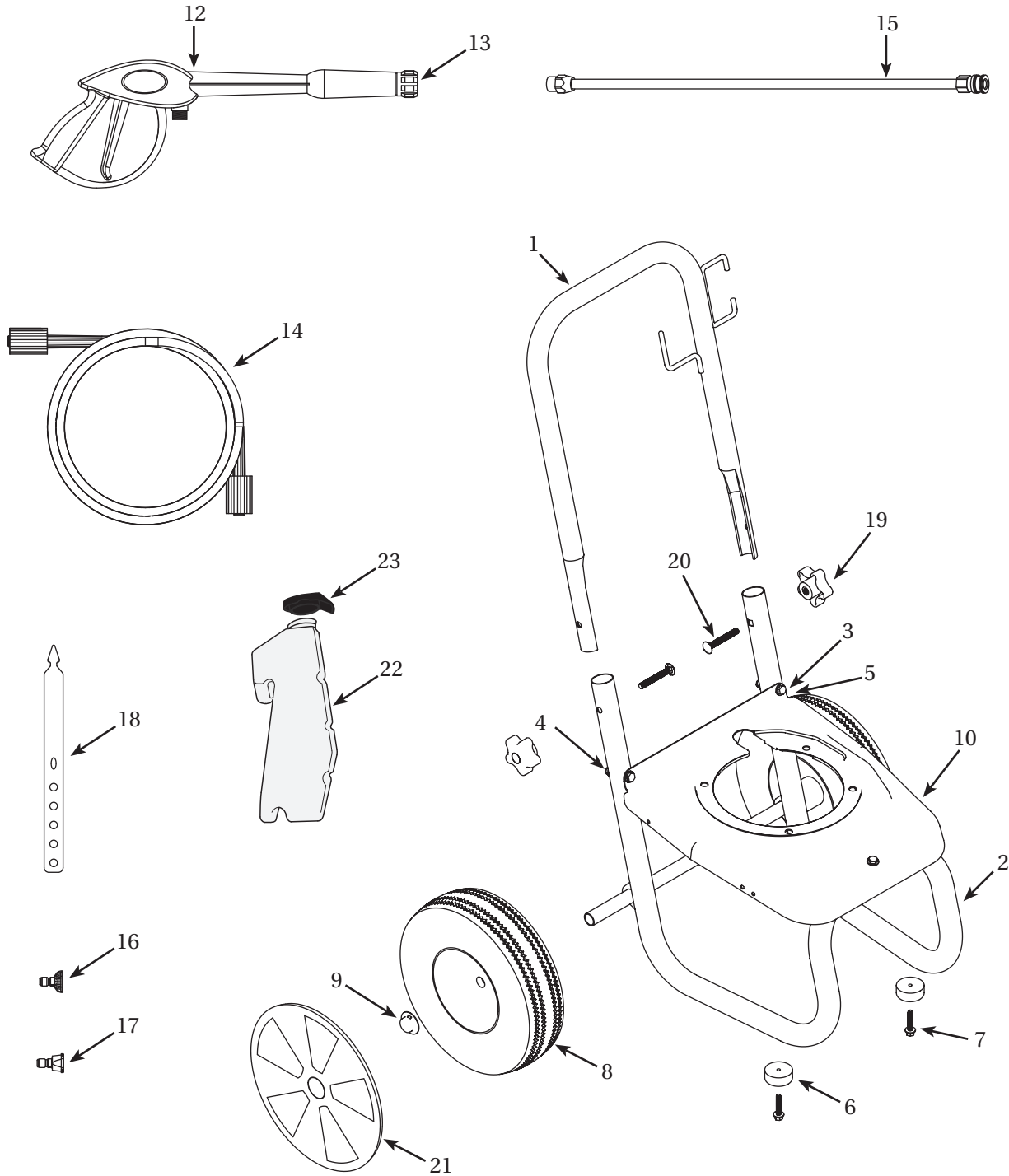


Figure 22 – Repair Parts Illustration



## Replacement Parts List

Ref. No.	Description	Part Number	Qty.
1	Handle	PM344057KK	1
2	Frame	PM344766KK	2
3	Flat washer	PM002000AV, *	6
4	1/4 inch - 20 nylon lock nut	ST073808AV, *	3
5	1/4 inch - 20 bolt (base)	PM001902AV, *	3
6	Rubber bumper	AL062300AV	2
7	1/4 inch - 20 x 3/4 self tapping screw	MJ102100AV, *	2
8	Wheel	WA120102AV	2
9	Pushnut (2)	PM344775SJ	2
10	Baseplate	PM344725BR	1
11	Detergent tube (not shown)	PM013800AV	1
12	Gun	PM005140AV	1
13	O-ring (gun) (not shown)	PM245800SV	1
14	Hose	PM005015AV	1
15	Lance	PM035120AV	1
16	Tip, 15° (Yellow)	PM039696AV	1
17	Tip, 65° (Black)	PM039820AV	1
18	Holder, QC Tip	PM344304AV	1
19	Star Knob (2 pcs.)	PM344773SJ	2
20	Carriage Bolt (2 pcs.)	PM344774SJ	2
21	Wheel cover	AL120102AV	2
22	Soap tank	PM351400AV	1
23	Soap tank lid	PM351405AV	1

### Tip Accessories Available for PW2575 (Not supplied with unit)

	Tip, 0° (Red)	PM039695AV
	Tip, 25° (Green)	PM039697AV
	Tip, 40° (White)	PM039698AV

\* Standard hardware item

★ For engine service or replacement parts, call Honda at 1-800-426-7701

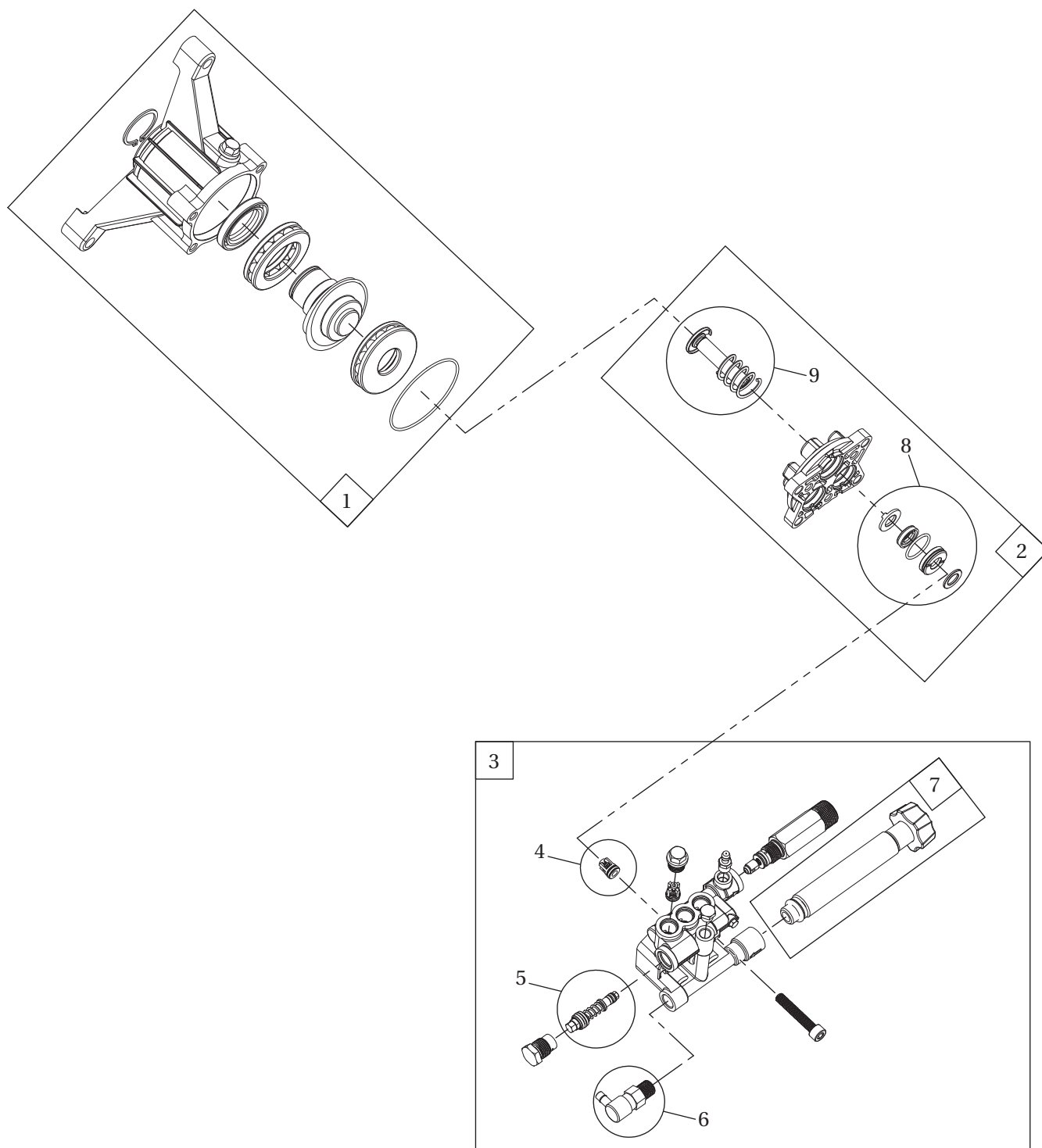
**For Replacement Parts or Technical Assistance, Call 1-800-330-0712**

*Please provide following information:*

- Model number
- Serial number (if any)
- Part description and number as shown in parts list

*Address any correspondence to:*

Campbell Hausfeld  
Attn: Customer Service  
100 Mundy Memorial Drive  
Mt. Juliet, TN 37122 U.S.A.



**Figure 23 – Repair Parts Illustration**

**Replacement Parts List**

Ref. No.	Description	Part Number	Qty.
1 ▲	Lower tank assembly	PM351305SV	1
2 ▲	Pump block assembly	PM351310SV	1
3 ▲	Pump head assembly	PM351315SV	1
4	Valve kit (contains 6 valves)	PM351331SV	1
5	Unloader valve	PM351332SV	1
6	Thermal relief valve	PM351325SV	1
7	Inlet hose assembly	PM351320SV	1
8	Water seal kit	PM351330SV	1
9	Piston kit (set of 3)	PM351333SV	1
▲	Pump assembly	PM351300SJ	

<b>Torque Specifications (in-lbs)</b>	
Description	Torque
Thermal relief valve	110
Hose Barb Torque	100
Head Bolt	110
Oil capacity: 2.7 fl. oz.	
Oil type: 80w90 gear oil	

---

**Reminder:** *Keep your dated proof of purchase for warranty purposes! Attach it to this manual or file it for safekeeping.*

---

## Warranty

1. **DURATION:** From the date of purchase by the original purchaser as follows: One (1) year pressure washer unit, one (1) year pump and motor, and 90 days for wear items.
2. **WHO GIVES THIS WARRANTY (WARRANTOR):** Campbell Hausfeld / Scott Fetzer Company, 100 Mundy Memorial Drive, Harrison, OH 45030, Telephone: 1-800-330-0712.
3. **WHO RECEIVES THIS WARRANTY (PURCHASER):** The original purchaser (other than for purposes of resale) of the Campbell Hausfeld pressure washer.
4. **WHAT PRODUCTS ARE COVERED UNDER THIS WARRANTY:** This Campbell Hausfeld Pressure Washer supplied or manufactured by the Warrantor.
5. **WHAT IS COVERED UNDER THIS WARRANTY:** Substantial defects on material and workmanship which occur within the duration of the warranty period with the exceptions noted below.
6. **WHAT IS NOT COVERED UNDER THIS WARRANTY:**
  - A. Implied warranties, including those of merchantability and FITNESS FOR A PARTICULAR PURPOSE ARE LIMITED FROM THE DATE OF ORIGINAL PURCHASE AS STATED IN THE DURATION. Some states do not allow limitation on how long an implied warranty lasts, so the above limitations may not apply to you.
  - B. ANY INCIDENTAL, INDIRECT, OR CONSEQUENTIAL LOSS, DAMAGE, OR EXPENSE THAT MAY RESULT FROM ANY DEFECT, FAILURE, OR MALFUNCTION OF THE CAMPBELL HAUSFELD pressure washer. Some States do not allow the exclusion or limitation of incidental or consequential damages, so the above limitation or exclusion may not apply to you.
  - C. Any failure that results from shipping damage, accident, purchaser's abuse, neglect or failure to install and operate pressure washer in accordance with instructions provided in the owner's manual(s) supplied with product.
  - D. Pre-delivery service, i.e. assembly, oil or lubricants and adjustment.
  - E. Items or service normally required to maintain the pressure washer.
  - F. Additional items not covered under the warranty:
    1. Normal wear items such as high pressure hoses, water and oil seals, o-rings, valves, lances and spray tips.
    2. Cosmetic defects that do not interfere with functionality.
    3. Rusted components.
    4. Pump wear or valve damage caused by using improper oil, oil contamination or by failure to follow proper oil maintenance guidelines.
  - G. Gasoline engine and components are expressly excluded from coverage under this limited warranty. Such components should be returned by the purchaser to the original manufacturer or to its authorized repair stations for service.
7. **RESPONSIBILITIES OF WARRANTOR UNDER THIS WARRANTY:** Repair or replace, at Warrantor's option, pressure washer or component which is defective, has malfunctioned and/or failed to conform within duration of the warranty period.
8. **RESPONSIBILITIES OF PURCHASER UNDER THIS WARRANTY:**
  - A. Provide dated proof of purchase and maintenance records.
  - B. Deliver or ship the Campbell Hausfeld pressure washer or component to nearest Campbell Hausfeld Authorized Service Center. Freight costs, if any, must be borne by the purchaser.
  - C. Use reasonable care in the operation and maintenance of the pressure washer as described in the owner's manual(s).
9. **WHEN WARRANTOR WILL PERFORM REPAIR OR REPLACEMENT UNDER THIS WARRANTY:** Repair or replacement will be scheduled and serviced according to the normal work flow at the servicing location, and depending on the availability of replacement parts.

This Limited Warranty applies in the U.S., Canada and Mexico only and gives you specific legal rights. You may also have other rights which vary from state to state or country to country.



# Laveuses à Pression à Essence

Instructions d'Utilisation et Manual de Pièces

**PW2575**



ENGLISH: Page 1  
ESPAÑOL: Página Sp1

IN469404AV 7/12  
© 2012 Campbell Hausfeld/Scott Fetzer



## Table des Matières

---

Description.....	Fr3	Rinçage haute pression initial.....	Fr12
Spécifications.....	Fr3	Ajustement de l'angle de l'éventail de pulvérisation.....	Fr12
Directives de Sécurité.....	Fr4	Angle à la surface de nettoyage.....	Fr12
Symboles de Sécurité.....	Fr4	Distance de la surface à nettoyer.....	Fr13
<b>Importantes Instructions de Sécurité.....</b>	<b>Fr4</b>	Comment éviter d'endommager les surfaces.....	Fr13
Instructions portant sur un risque d'incendie, un choc électrique ou des blessures aux personnes.....	Fr4	Application de détergent.....	Fr13
Proposition 65 de Californie.....	Fr4	Détergents.....	Fr13
Généralité.....	Fr4	Conseils généraux de nettoyage.....	Fr13
Aire de travail.....	Fr4	Puissance de nettoyage.....	Fr13
Sécurité personnelle.....	Fr4	Dernier rinçage.....	Fr13
Utilisation et entretien de l'outil.....	Fr5	Procédure de décharge de la pression.....	Fr14
Service.....	Fr5	Arrêt.....	Fr14
<b>Questions Fréquemment Posées.....</b>	<b>Fr6</b>	Rangement.....	Fr14
<b>Déballage.....</b>	<b>Fr7</b>	Instructions de rangement à long terme.....	Fr14
Contenu du carton.....	Fr7	Instructions pour l'hiver.....	Fr14
Autres articles non inclus.....	Fr7	Conseils pour prolonger la durée de vie de votre pulvérisateur haute pression.....	Fr14
<b>Glossaire.....</b>	<b>Fr8</b>	Entretien.....	Fr15
<b>Apprendre à connaître votre laveuse à pression.....</b>	<b>Fr9</b>	Instructions de changement d'huile à moteur.....	Fr15
Utilisations recommandées de cette laveuse à pression.....	Fr9	Horaire d'entretien.....	Fr15
<b>Assemblage et Pré-Fonctionnement.....</b>	<b>Fr10</b>	Information technique et entretien.....	Fr15
Assemblage.....	Fr10	<b>Guide de dépannage.....</b>	<b>Fr16</b>
Verrou de sécurité de la gâchette..	Fr11	<b>Liste de pièces de rechange.....</b>	<b>Fr18</b>
<b>Fonctionnement.....</b>	<b>Fr11</b>	<b>Garantie Limitée.....</b>	<b>Fr22</b>
Préparation de la surface.....	Fr11		
Démarrage.....	Fr11		

---

### Pour l'information sur les pièces, produits et services

**Appeler :** Service à la clientèle au 1-800-330-0712

**Adresser toute correspondance à :** Campbell Hausfeld  
Attn: Customer Service  
100 Mundy Memorial Drive  
Mt. Juliet, TN 37122



# Laveuses à Pression à Essence



## Description

Ces laveuses à pression à essence sont conçues pour des travaux de petites à moyennes surfaces. Ils sont parfaits pour les projets d'entretien d'atelier, de fermes, de maisons ou de bâtiments, d'allées/de trottoirs en ciment et d'équipement lourd.

Tous les chariots sont fabriqués en acier durable avant d'être soudés et recouverts d'un revêtement en poudre qui contribue à leur longévité. C'est dans le Tennessee que ces laveuses à pression sont fabriquées et dotées non sans fierté de moteurs Honda fiables et robustes.



## Spécifications

### Modèle PW2575

Pompe Honda GCV160  
à tête en aluminium

Buse n° 2,5

**Pression:** 18 617 kPa / 2700 psi

**Débit:** 9,08 L/min (2,4 GPM)

Veuillez inscrire le No de modèle et le No de série à utiliser pour contacter le fabricant :

N° de modèle : \_\_\_\_\_

N° de série : \_\_\_\_\_

Date d'achat : \_\_\_\_\_

Lieu d'achat : \_\_\_\_\_

Pour obtenir de l'information sur le produit, veuillez appeler le 1-800-330-0712.

Figure 1 - Modèle PW2575

## Directives De Sécurité

Ce manuel contient de l'information très importante qui est fournie pour la SÉCURITÉ et pour ÉVITER LES PROBLÈMES D'ÉQUIPEMENT. Rechercher les symboles suivants pour cette information.

**▲ DANGER** Danger indique une situation dangereuse imminente qui MÈNERA à la mort ou à des blessures graves si elle n'est pas évitée.

**▲ AVERTISSEMENT** Avertissement indique une situation potentiellement dangereuse qui, si elle n'est pas évitée, POURRAIT mener à la mort ou à de graves blessures.

**▲ ATTENTION** Attention indique une situation potentiellement dangereuse qui, si elle n'est pas évitée, PEUT mener à des blessures mineures ou modérées.

**AVIS** Avis indique de l'information importante qui pourrait endommager l'équipement si elle n'est pas respectée.

**REMARQUE:** Information qui exige une attention spéciale.

## Symboles De Sécurité

Les symboles de sécurité suivants apparaissent dans l'ensemble de ce manuel pour vous aviser des dangers et précautions importants de sécurité.



Lire le manuel d'abord



Risque d'explosion



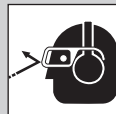
Risque d'incendie



Risque de tomber



Risque de blessure



Porter une protection oculaire, et auditive

## Importantes Instructions De Sécurité

### INSTRUCTIONS PORTANT SUR UN RISQUE D'INCENDIE, UN CHOC ÉLECTRIQUE OU DES BLESSURES AUX PERSONNES

Ce manuel contient des informations concernant la sécurité, le fonctionnement et l'entretien. Si vous avez des questions, appeler le 1-800-330-0712 pour le service à la clientèle.

**▲ AVERTISSEMENT** En utilisant les outils, il faut suivre les précautions de base, y compris ce qui suit :

### PROPOSITION 65 DE CALIFORNIE

**▲ AVERTISSEMENT** Ce produit ou son cordon peuvent contenir des produits chimiques, y compris du plomb, relevés par l'État de Californie comme cause de cancer, d'anomalies congénitales ou d'autres problèmes reproductifs. Lavez-vous les mains après toute manipulation.

### GÉNÉRALITÉ

- Pour réduire les risques de chocs électriques, d'incendie ou de blessures aux personnes, lire toutes les instructions avant d'utiliser l'outil. Ne pas suivre les avertissements, les dangers et les mises en garde pourrait causer la MORT ou de GRAVES BLESSURES.
- Se familiariser avec ce produit, ses commandes et son utilisation. Suivez toutes les instructions. Contacter votre représentant Campbell Hausfeld si vous avez des questions.
- Seules les personnes familières avec ces règles d'utilisation sans danger devraient utiliser cette unité.
- Suivez tous les codes de sécurité ainsi que l'Occupational Safety and Health Act (OSHA).



### AIRE DE TRAVAIL

- Gardez le secteur d'opération libre de toutes personnes.
- Garder l'aire de travail propre et bien éclairée. Les établis encombrés et les coins sombres augmentent les risques de chocs électriques, d'incendie et de blessures aux personnes.
- Ne pas faire fonctionner l'outil dans une atmosphère explosive comme en présence de liquides, gaz ou poussières inflammables. L'outil peut produire des étincelles menant à une inflammation de poussières ou de fumées.
- NE pulvériser JAMAIS de liquides inflammables et n'utilisez jamais le pulvérisateur haute pression dans des endroits contenant de la poussière, des liquides ou des vapeurs combustibles.
- Ne faites jamais fonctionner cet appareil dans un édifice fermé ou dans ou près d'un environnement explosif.



### SÉCURITÉ PERSONNELLE

- Rester vigilant. Il faut regarder ce que vous faites et utiliser son sens commun en faisant fonctionner un outil. Ne pas faire fonctionner l'appareil si vous êtes fatigué ou sous l'influence de drogues, d'alcool ou de médicaments. Un moment d'inattention en faisant fonctionner l'outil augmente le risque de blessures.
- Il faut s'habiller correctement. Ne pas porter de bijoux ou de vêtements amples. Attacher les cheveux longs. Garder les cheveux, les vêtements et les gants loin des pièces mobiles. Les vêtements amples, les bijoux ou les cheveux longs augmentent le risque de blessures si quelque chose se prend dans les pièces mobiles.
- Ne pas trop se pencher. Garder bon pied et bon équilibre en tout temps. Ceci permet d'avoir un meilleur contrôle de l'outil dans les situations imprévues.



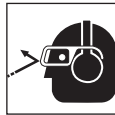
## Importantes Instructions De Sécurité (Suite)

**⚠ AVERTISSEMENT** *Risque d'injection ou de blessures graves. Restez loin du gicleur. Ne déchargez pas de jets vers les personnes. Ce produit doit être utilisé seulement par un opérateur formé. Retirez toujours la tige du pistolet avant de nettoyer les débris de l'embout.*



- d. Restez loin du gicleur. NE dirigez JAMAIS le jet haute pression vers une personne, un animal, ou vous-même.
- e. Ne mettez jamais la main ou les doigts sur l'embout de pulvérisation en opérant l'appareil.
- f. N'essayez jamais d'arrêter ou de dévier les fuites vers toute partie du corps.

**⚠ AVERTISSEMENT** *S'assurer que l'outil n'est utilisé que lorsque l'opérateur et tout autre personnel dans l'aire de travail portent un équipement de protection oculaire ANSI Z87, et s'il y a lieu, d'autre équipement de protection approprié comme une protection de la tête, auditive, des gants, des bottes de caoutchouc, des vêtements protecteurs en utilisant et exécutant la maintenance. De graves blessures oculaires ou une perte auditive permanente pourraient en résulter.*



### UTILISATION ET ENTRETIEN DE L'OUTIL

**⚠ AVERTISSEMENT** *N'utilisez pas de pression qui dépasse la pression d'exploitation de toute pièce (flexibles, raccords, etc.) du système sous pression. Assurez-vous que tout équipement et accessoires sont du calibre voulu pour résister à la pression d'exploitation maximum de l'appareil.*

**⚠ AVERTISSEMENT** *Danger d'explosion:*

- a. Il faut entretenir l'outil avec soin. Un outil bien entretenu réduit le risque de problèmes et est plus facile à contrôler.
- b. Assurez-vous que tous les dispositifs de sécurité fonctionnent correctement avec chaque utilisation. NE retirez PAS et ne modifiez pas toute pièce du pistolet ou de l'appareil.
- c. NEVER operate the machine without all components properly connected to the machine (handle, gun/wand assembly, nozzle, etc.).
- d. Sachez comment arrêter ce produit et dégager rapidement la pression. Soyez bien au fait des contrôles.
- e. Engagez toujours le verrou de sécurité de la gâchette en position sûre à la fin de la pulvérisation même si ce n'est que pour quelques instants.
- f. N'engagez jamais en permanence le mécanisme de la gâchette sur le pistolet.
- g. Suivez toujours les recommandations du fabricant de détergents pour la bonne utilisation du produit. Protégez toujours les yeux, la peau et le système respiratoire du détergent.
- h. Ne débranchez jamais le flexible de décharge de haute pression de la machine tandis que le système est sous pression. Pour décompresser, coupez le courant et l'eau, puis pressez la gâchette du pistolet 2 ou 3 fois.

- i. Ne pas retirer le bouchon du réservoir d'essence ni remplir le réservoir tandis que le moteur est chaud ou fonctionne (laisser le moteur refroidir pendant deux minutes avant de remettre du carburant). Toujours remplir le réservoir lentement.
- j. Suivez les instructions d'entretien spécifiées dans le manuel.

### AVIS

*Dompage à l'équipement:*

- k. Mettez TOUJOURS l'eau à "ON" avant de mettre le pulvérisateur haute pression en marche "ON". **Faire fonctionner la pompe à sec cause de graves dommages.**
- l. Ne faites pas fonctionner le pulvérisateur haute pression avec l'écran d'entrée d'eau retiré. Gardez l'écran libre de tous débris et sédiments.
- m. NE faites JAMAIS fonctionner le pulvérisateur haute pression avec des pièces brisées ou manquantes. Vérifiez régulièrement l'équipement et réparez immédiatement toutes pièces usées ou endommagées.
- n. Utiliser seulement les lances fournies avec cet appareil.
- o. Ne laissez jamais la rallonge sans surveillance tandis que la machine est en marche.
- p. Tenez toujours le pistolet et la rallonge bien fermement en démarrant et en faisant fonctionner l'appareil.
- q. NE JAMAIS laisser l'appareil fonctionner avec la gâchette dégagée (fermée) pendant plus d'une minute. L'accumulation de chaleur résultante endommagerait la pompe.
- r. NE rangez JAMAIS le pulvérisateur haute pression à l'extérieur ou à des endroits où il pourrait geler. Le gel peut endommager gravement la pompe.
- s. NE JAMAIS altérer le limiteur de régime ni essayer de modifier les réglages d'usine. La modification des réglages d'usine pourrait endommager l'appareil et annulerait la garantie.

### SERVICE

- a. **En réparant ou faisant l'entretien d'un outil, utiliser seulement des pièces de rechange identiques. Utiliser seulement des pièces autorisées.**

### CONSERVER CES INSTRUCTIONS NE LES JETEZ PAS

**REMARQUE:** *Les symboles DANGER, AVERTISSEMENT, ATTENTION ET AVIS ainsi que les instructions de ce manuel ne peuvent pas couvrir toutes les conditions et situations qui pourraient se produire. L'opérateur doit comprendre que le bon sens et des précautions sont des facteurs qui ne peuvent pas être inclus dans ces produits, mais doivent être fournis par l'opérateur.*

## Questions Fréquemment Posées

### **Comment démarre mon pulvérisateur haute pression ?**

1. S'assurer qu'il y a de l'huile dans le moteur et de l'essence dans le réservoir. Le moteur est fourni sans huile.
2. Mettez l'eau en marche, puis appuyez sur la gâchette du pistolet pour vous assurer que l'eau coule bien de la buse.
3. Ouvrir la soupape de contrôle du carburant en tournant intégralement le bouton dans le sens antihoraire jusqu'à l'arrêt.
4. Fermer le volet de départ (si le moteur est froid) en tournant intégralement l'anneau du volet de départ vers la droite.
5. Régler le bouton d'arrêt sur « ON ».
6. Pressez la gâchette (pour décompresser toute contre-pression de la pompe) tout en tirant la corde de lancement.

### **Quel type d'huile devrais-je utiliser ?**

Moteur: Le moteur N'EST PAS FOURNI REMPLI D'HUILE. Voir les types et quantités d'huile à moteur à la page Fr 15.

Pompe: La pompe est fournie avec la quantité d'huile qui convient. Consulter la page Fr 15 de ce manuel pour les consignes relatives à la vidange, aux types d'huile et à leurs quantités.

### **Pourquoi est-ce que je n'ai aucune pression d'eau ?**

- Est-ce que le tuyau d'eau est attaché au pulvérisateur ?
- L'eau est-elle en marche ?
- Vérifiez les tortillements, fuites, blocages de flexibles, raccords ou gicleur.
- Est-ce que la buse de raccord rapide est en place? (Voir page Fr 10.)
- Est-ce que l'écran du filtre d'aspiration est libre de débris? Vérifiez et retirez les débris au besoin.

### **Comment puis-je obtenir une haute pression ?**

- Utiliser toute buse de couleur excepté la noire. La buse noire n'est utilisée que pour l'application de détergent à basse pression.

### **Comment puis-je faire fonctionner l'aspiration de savon ?**

1. Raccorder le tube en plastique transparent pour l'aspiration des produits chimiques à la barbelure de tuyau de la pompe; insérer l'autre extrémité du tube dans le détergent.
2. Installer la buse de pulvérisation noire pour appliquer du détergent à basse pression.

### **Pourquoi est-ce que le pulvérisateur haute pression n'applique pas de détergents avec une haute pression ?**

Les détergents « rebondissent » sur les surfaces de nettoyage à la vitesse à laquelle ils sont appliqués. Les fonctions de la laveuse à pression permettent au détergent d'être extrait uniquement en mode basse pression. En appliquant le détergent à basse pression, l'effet de « rebondissement » est réduit. Les détergents ne sont efficaces que lorsqu'on leur donne le temps d'imprégner la surface à nettoyer. Après avoir appliqué le détergent, attendre qu'il agisse pendant 1 à 3 minutes, puis passer au rinçage à haute pression de la surface.

### **Quel entretien dois-je effectuer sur mon pulvérisateur haute pression ?**

1. Après avoir fermé le pulvérisateur haute pression et l'eau, enlevez la pression du flexible en pressant la gâchette du pistolet.
2. Retirez le tuyau d'arrosage et le flexible haute pression de la pompe.
3. Tirez lentement la corde de lancement cinq fois pour purger l'eau de la pompe. Ceci aidera à protéger la pompe de tout dommage.
4. Ne pas ranger votre laveuse à pression dans un endroit où la température descend en dessous de 0° C (32° F).
5. Respecter les instructions d'hivernage et de rangement de la page Fr 14.

### **Que faire s'il me manque une pièce ?**

Appeler Campbell Hausfeld au 1-800-330-0712 pour obtenir le remplacement rapide des pièces manquantes durant les 90 premiers jours suivant l'achat initial. **NE PAS RENVOYER LA LAVEUSE À PRESSION AU DÉTAILLANT!**

### **Où puis-je acheter des accessoires pour mon pulvérisateur haute pression ?**

- Si vous ne parvenez pas trouver d'accessoires au magasin où vous avez acheté votre laveuse à pression, appelez Campbell Hausfeld au 1-800-330-0712 ou visitez le site Web [www.chpower.com](http://www.chpower.com).

### **Qui dois-je appeler si j'ai des questions ou des problèmes ?**

Appelez Campbell Hausfeld au 1-800-330-0712 (É.-U.)



## Déballage

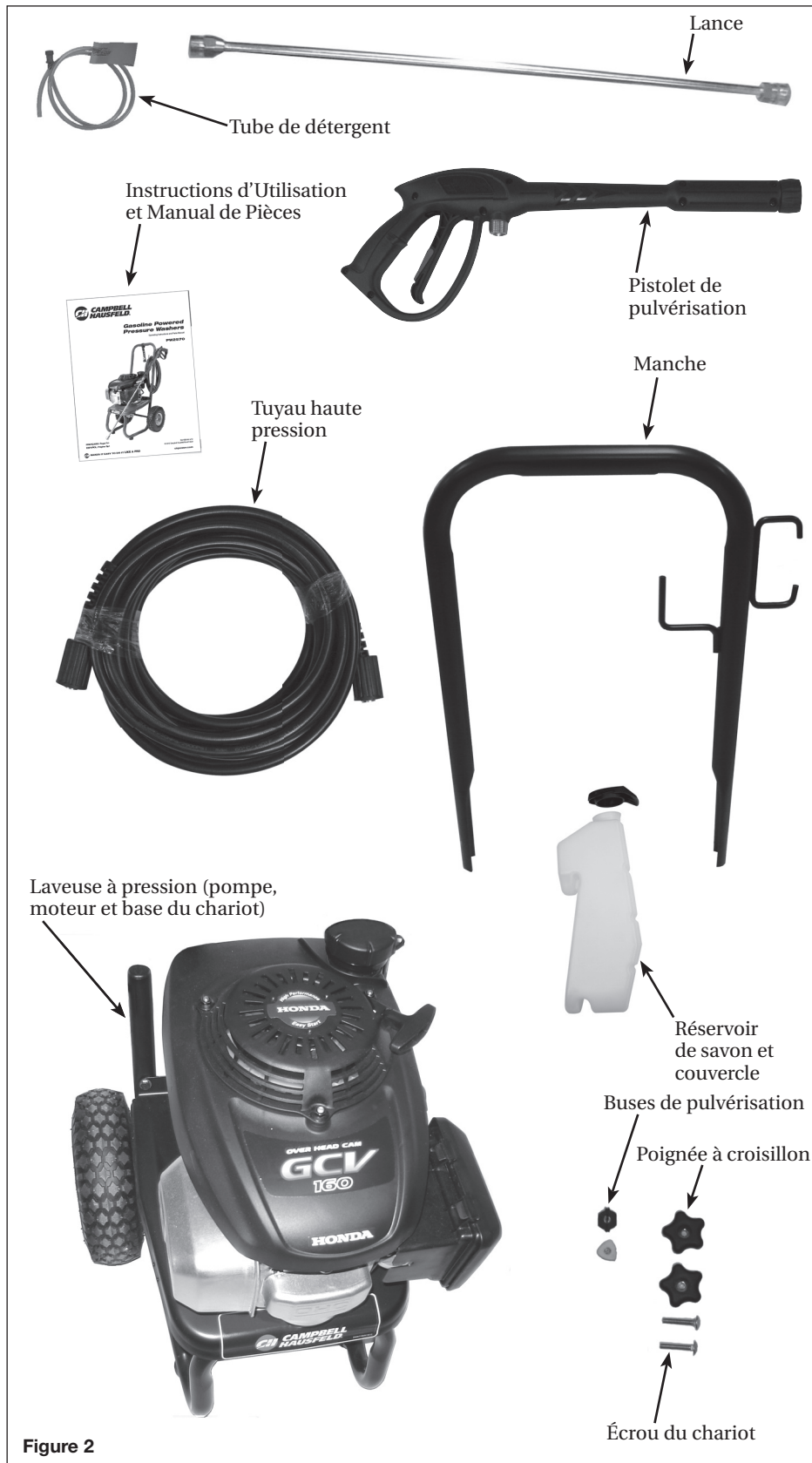


Figure 2

## CONTENU DU CARTON

- ◆ Une laveuse à pression (pompe, moteur et base du chariot)
- ◆ Un assemblage de la poignée du chariot
- ◆ Un pistolet pulvérisateur et une lance Quick Connect®
- ◆ Deux buses de pulvérisation
- ◆ Un tuyau haute pression
- ◆ Un emballage contenant écrous, boulons et manuels
- ◆ Réservoir de savon et couvercle

## AUTRES ARTICLES NON INCLUS

- ◆ ANSI Z87 Protection oculaire
- ◆ Boyau d'arrosage

Dès que l'appareil est déballé, inspectez-le attentivement pour tout signe de dommages en transit. Vérifiez s'il y a des pièces desserrées, manquantes ou endommagées. Assurez-vous de resserrer tous les raccords, boulons, etc. avant d'utiliser la laveuse à pression. Vérifiez pour vous assurer que tous les accessoires fournis sont inclus avec l'appareil. S'il manque toute pièce, **NE RETOURNEZ PAS L'APPAREIL AU DÉTAILLANT.**

Consultez le numéro de modèle de l'appareil (sur l'étiquette du numéro de série du cadre de la laveuse à pression) et appelez le 1-800-330-0712 pour les pièces de rechange.

**⚠ AVERTISSEMENT** *Ne faites pas fonctionner l'appareil s'il est endommagé pendant l'expédition, la manipulation ou l'utilisation. Des dommages peuvent mener à l'éclatement et provoquer des blessures ou des dommages à la propriété.*

**Lire et Suivre Toutes  
Les Instructions.**

**Conserver ces instructions  
ne pas les jeter.**

## Glossaire

Familiarisez-vous avec ces termes avant d'utiliser l'appareil.

**CAVITATION** - Le choc de milliers de bulles s'écrasant à l'intérieur de la pompe rapidement, marquant les surfaces de métal et les joints. La cavitation est causée par le manque d'eau à l'entrée de la pompe.

**INJECTEUR DE PRODUIT CHIMIQUE** - Un injecteur de produit chimique permet l'injection du produit ou du savon dans le jet d'eau, rendant le nettoyage plus facile et plus rapide qu'avec de l'eau seule.

**SYSTÈME D'INJECTION DE DÉTERGENT** - Les détergents de nettoyage sont tirés à l'intérieur du jet d'eau pour obtenir un nettoyage plus efficace en permettant aux détergents de saturer la surface souillée.

**G/MIN (GALLONS À LA MINUTE)** - Plus d'eau à la minute peut se traduire par un nettoyage plus rapide, tout particulièrement en lavant des matériaux comme la boue et le goudron.

**SORTIE HAUTE PRESSION** - Une connexion pour le boyau à haute pression.

**HP (HORSEPOWER)** - Une unité de mesure pour le travail.

**BUSE (EMBOUS DE PULVÉRISATION À RACCORD RAPIDE)** - La buse est la partie étroite à l'extrémité de la tige qui crée la pression. Les buses possèdent différentes caractéristiques de pulvérisation qui peuvent modifier la largeur et la force du jet. La buse (blanche) de 40 degrés produit un jet plat d'environ 40 degrés, la verte offre un angle de 25 degrés, tandis que la jaune est la plus appréciée de toutes avec son angle de 15 degrés. La buse (rouge) de 0 degré doit être utilisée avec prudence : elle peut entailler le bois et provoquer des dommages.

**REMARQUE:** Les buses de 0 degré (rouge), 25 degrés (vert) et 40 degrés (blanc) ne sont pas fournies avec cet appareil. Ces buses peuvent être achetées séparément : consulter la liste des pièces détachées pour les numéros de référence ainsi que les renseignements relatifs aux commandes.

**KPA (KILOPASCAL)** - Une unité de mesure pour la pression. Elle détermine combien de pression appliquer directement sur la surface à nettoyer. La pression livrée par la laveuse à pression est directement responsable de la séparation du lien entre les débris et la surface à nettoyer.

**DÉCHARGE THERMIQUE** - Cette technique est utilisée pour diminuer l'accumulation d'eau à haute température qui peut se produire à l'intérieur de la pompe de la laveuse à pression quand le pistolet pulvérisateur est fermé. Ce système permet de ne pas endommager les composants internes de la pompe en recyclant l'eau dans la pompe lorsqu'elle atteint sa température maximum. L'eau chaude est évacuée de la pompe jusqu'au sol.

**DÉCHARGEUR** - Dispositif utilisé pour diminuer la pression d'eau à l'intérieur de la pompe lorsque le débit du jet est bloqué. Il permet au moteur de continuer à fonctionner quand l'utilisateur relâche la gâchette du pistolet pulvérisateur et arrête la séance de nettoyage. Ceci détourne la pression qui s'accumulerait en l'absence du déchargeur en prenant l'eau à la sortie de la pompe et en lui faisant effectuer une boucle en mode de « dérivation » continu jusqu'à l'admission. Le déchargeur renvoie le débit d'eau vers le pistolet pulvérisateur lorsque l'utilisateur appuie sur la gâchette.

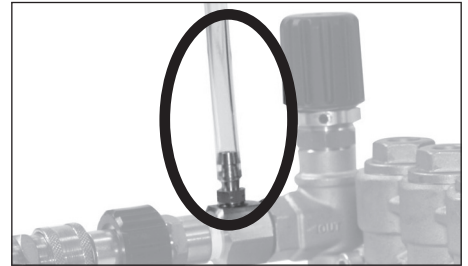


Figure 3 - Injecteur de produit chimique

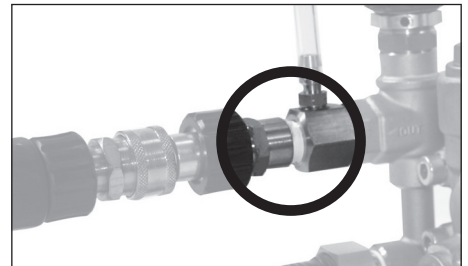


Figure 4 - Sortie haute pression



Figure 5 - Buse ou embouts de pulvérisation

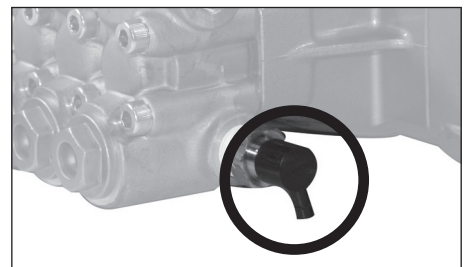


Figure 6 - Soupape de décharge thermique

## Apprendre à connaître votre laveuse à pression

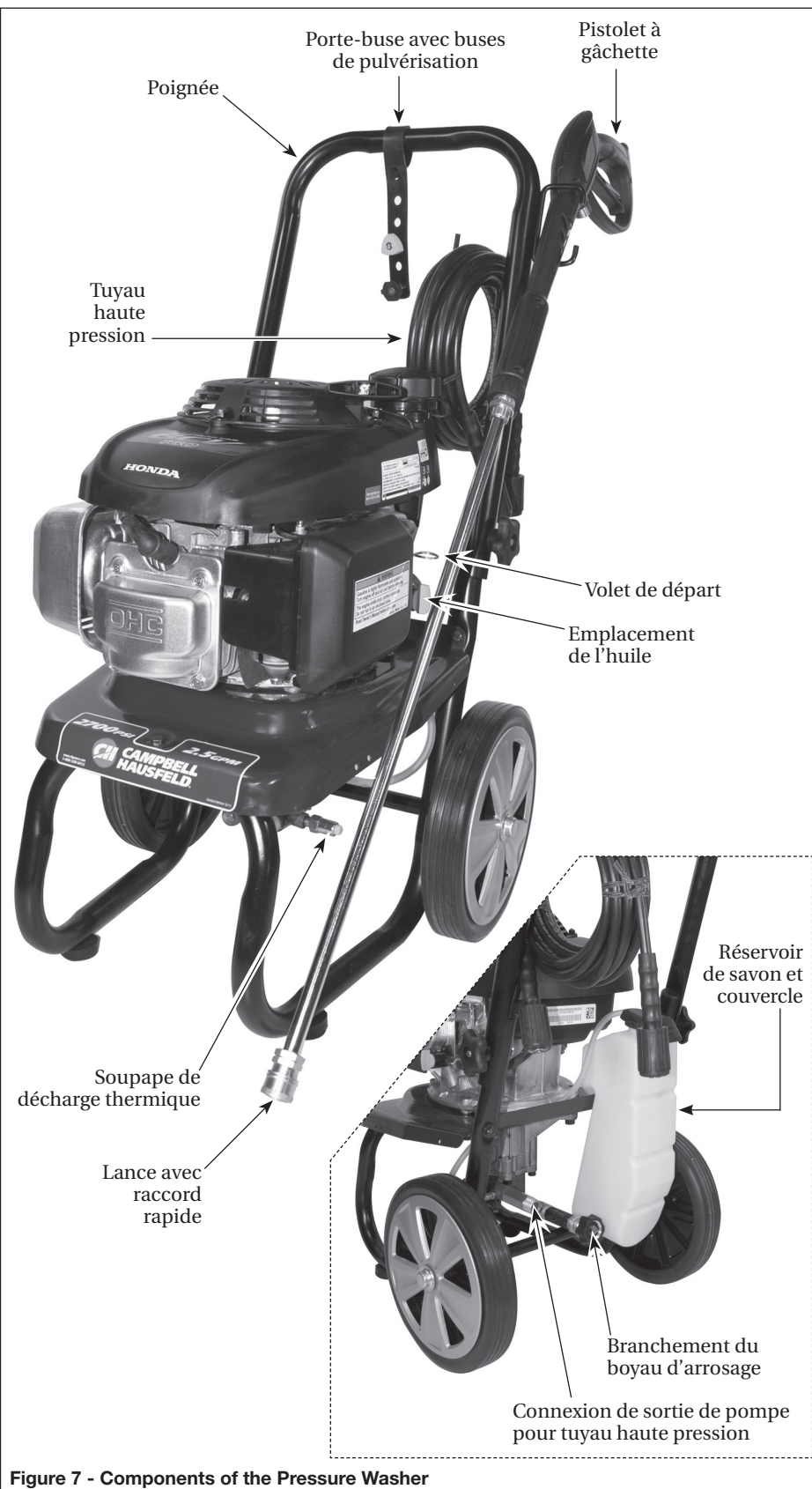


Figure 7 - Components of the Pressure Washer

## UTILISATIONS RECOMMANDÉES DE CETTE LAVEUSE À PRESSION

- ◆ Patio
- ◆ Terrasse
- ◆ Revêtement
- ◆ Brique
- ◆ Béton
- ◆ Asphalte
- ◆ Métal
- ◆ Bois
- ◆ Véhicules
- ◆ Garage/Ateliers
- ◆ Extérieurs de maisons
- ◆ Extérieurs de bâtiments

## Assemblage et Pré-Fonctionnement

### ASSEMBLAGE

1. Faire glisser l'assemblage de la poignée sur la partie inférieure des montants du chariot. Utiliser les écrous et les boulons fournis pour fixer la poignée aux pieds (Voir Figure 8).
2. Fixer solidement un boyau d'arrosage (non inclus) au tuyau d'arrosage de la pompe (Voir Figure 9).
3. Raccorder le tuyau haute pression à la sortie de la pompe (Voir les figures 9 et 10).
4. Fixer la lance au pistolet (Voir Figure 11).

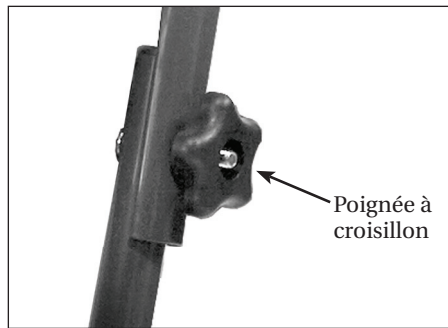


Figure 8 - Assemblage de la poignée

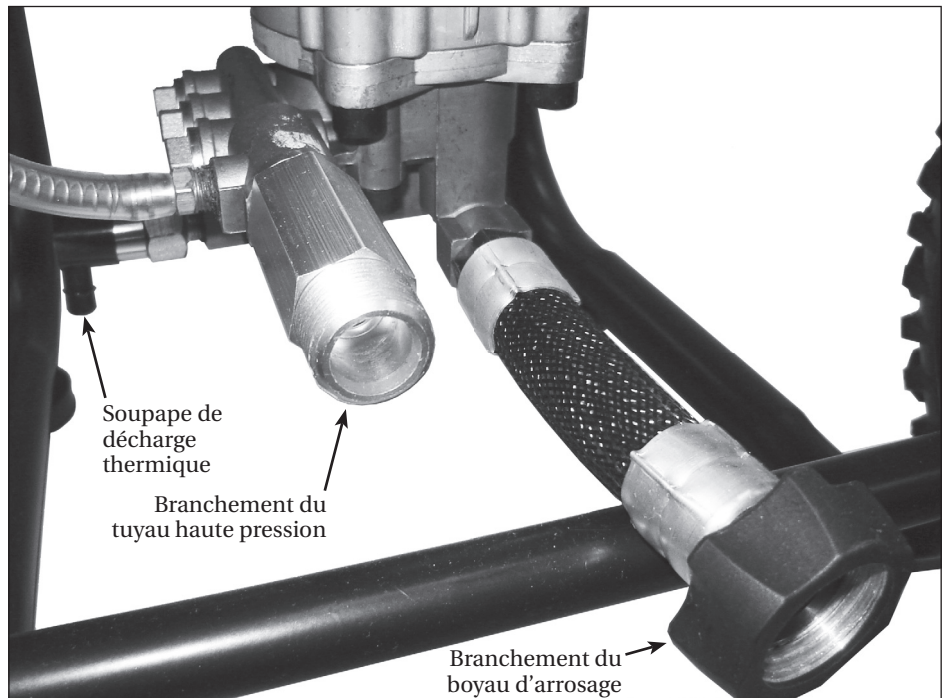


Figure 9 - Branchements de la pompe

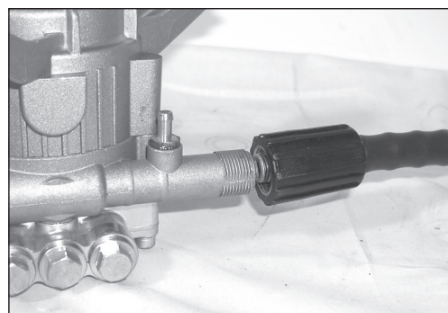


Figure 10 - Raccorder le tuyau haute pression à la pompe

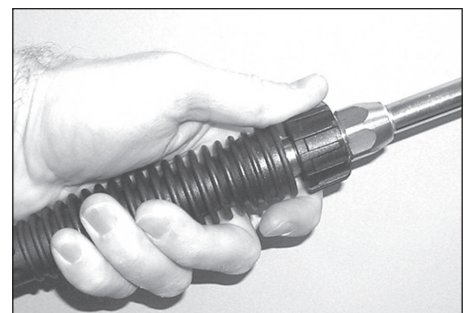


Figure 11 - Fixer la lance au pistolet



## Assemblage et Pré-Fonctionnement (Suite)

5. Installer la buse raccord rapide en tirant le collier vers l'arrière et en appuyant pour insérer la buse. Dégager le collier et s'assurer qu'il retrouve sa position initiale sur l'avant et que la buse est fixée correctement (Voir Figure 12).
6. Placer les buses raccord rapide dans le support des buses et fixer ce dernier sur la poignée de la laveuse à pression (Voir Figure 13).

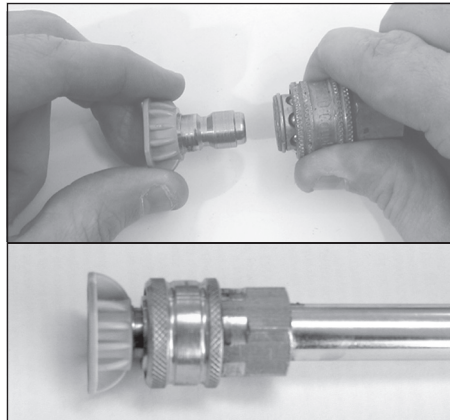


Figure 12 - Installation de la buse raccord rapide

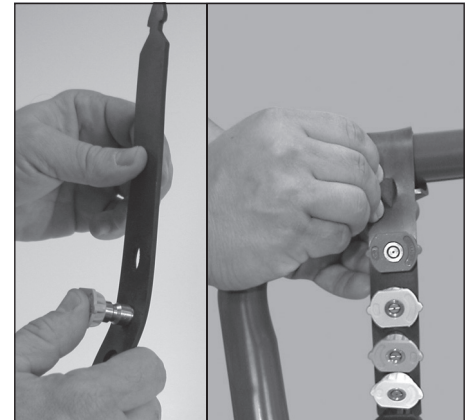


Figure 13 - Insérer les buses de pulvérisation dans le support pour buses en caoutchouc

### VERROU DE SÉCURITÉ DE LA GÂCHETTE

En position engagée, le verrou de sécurité de la gâchette empêche le déclenchement accidentel du pistolet. Poussez entièrement le verrou vers le bas pour l'engager (See Figure 14 and 15).

Engagez toujours le verrou de la gâchette lorsque vous n'utilisez pas l'appareil.

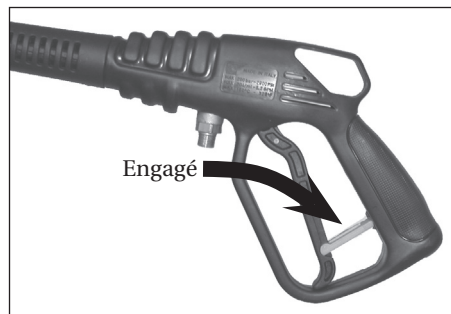


Figure 14 - Gâchette verrouillée

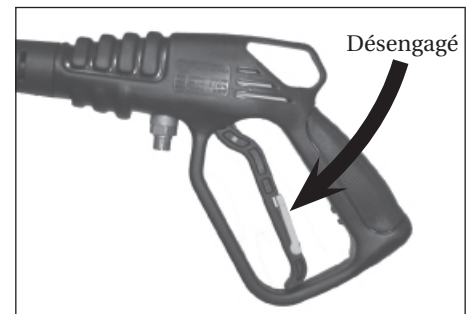


Figure 15 - Gâchette déverrouillée

## Fonctionnement

### PRÉPARATION DE LA SURFACE

La procédure de nettoyage suivante vous aide à vous organiser pour la tâche de nettoyage et pour vous assurer d'atteindre les meilleurs résultats dans le temps le plus court. Rappelez-vous d'utiliser les techniques de pulvérisation/ nettoyage mentionnées dans les sections suivantes.

Avant de commencer un travail de nettoyage à haute pression, préparez la surface à nettoyer. Enlevez les meubles et assurez-vous que toutes les fenêtres et portes sont bien fermées. Protégez aussi toutes vos plantes et arbres près du secteur à nettoyer en couvrant d'une toile pour ne pas les pulvériser de détergent.

### DÉMARRAGE

Utilisez TOUJOURS cette procédure de démarrage pour assurer un démarrage exact et sans danger.

#### AVIS

*Si l'eau a gelé dans le pulvérisateur à haute pression, laissez-la dégeler à température ambiante avant de commencer. NE versez PAS d'eau chaude sur ou dans la pompe; les pièces intérieures seraient endommagées.*

1. Vérifiez les niveaux d'huile à moteur. Ajoutez de l'huile au besoin.
2. Vérifiez le niveau d'huile. Ajouter de l'essence sans plomb (valeur nominale d'octane 86 ou plus) au besoin.

#### AVERTISSEMENT

*NE remettez PAS de carburant avec un moteur chaud car cela pourrait causer un incendie. Utilisez seulement de l'essence sans plomb ou régulière propre, fraîche. Fermez le robinet d'arrêt de carburant durant le remplissage.*

## Fonctionnement (Suite)

- Fixez un tuyau d'arrosage côté entrée de la pompe et raccordez-le à l'alimentation d'eau. Utilisez un flexible de D.I. de 5/8 po et d'une longueur de 50 pi (15 m) ou moins.

### AVIS

*Certains codes de plomberie locaux exigent un dispositif de prévention de retour d'eau en connectant à une source d'eau fraîche. Installez un dispositif de prévention de retour en amont de la pompe, au besoin.*

- Si la pression d'eau d'alimentation dépasse 690 kPa, installez une soupape régulatrice d'eau au raccord du tuyau d'arrosage.
- Ne dépassez pas 38° C de température d'eau d'alimentation.

**REMARQUE:** L'approvisionnement d'eau d'alimentation doit avoir un débit minimum de 19 lpm (5 gpm).

- Ouvrez l'alimentation d'eau.

### AVIS

*Ne laissez jamais l'appareil fonctionner à sec. Assurez-vous que l'alimentation d'eau est en marche avant de faire fonctionner l'appareil.*

- Enfoncez et tenez la gâchette du pistolet jusqu'à ce que la pulvérisation d'eau de la buse indique que tout l'air est sorti du système. Placez le verrou de sécurité de gâchette.
- Ouvrir le robinet à carburant en tournant intégralement le bouton dans le sens antihoraire jusqu'à l'arrêt. Fermer le volet de départ (si le moteur est froid) en tournant intégralement l'anneau du volet de départ vers la droite. Placer l'interrupteur d'allumage sur « ON ».
- Démarrer le moteur. Déverrouiller le verrou de sécurité de la gâchette du pistolet (Voir Figure 15). Agripper la corde de lancement et mettre un pied sur le châssis. Pointer le pistolet dans une direction sûre. Tout en pressant sur la gâchette du pistolet, tirer sur la corde de lancement rapidement et fermement (Voir Figure 16). Continuer à tenir la corde tandis qu'elle revient. Répéter ces étapes jusqu'à ce que le moteur démarre.

### ATTENTION

*En tirant le lancement, assurez-vous de garder la main et le bras loin du moteur et des composants du chariot.*

### AVIS

*Ne laissez jamais la corde de lancement revenir par elle-même car cela pourrait bloquer le système de retour.*

- Si le moteur ne démarre pas après deux ou trois enclenchements ou si la corde est difficile à tirer, pressez la gâchette du pistolet pour dégager la pression accumulée dans le flexible haute pression. Répétez les étapes 7 et 8 jusqu'à ce que le moteur démarre.

### RINÇAGE HAUTE PRESSION INITIAL

Pulvériser d'eau la surface à nettoyer pour retirer les poussières ou la saleté qui auraient pu s'accumuler sur la surface. Ceci permettra au détergent de s'attaquer la saleté incrustée dans la surface à nettoyer.

### Ajustement de L'angle de L'éventail de Pulvérisation

La laveuse à pression est livrée avec cinq buses raccord rapide. Ces buses possèdent des angles de pulvérisation en éventail allant de 0°, (jet étroit à fort impact), à 65° (jet en éventail large).

La pression peut également être réglée en fonction de la proximité par rapport à la surface à nettoyer et en ajustant l'angle du jet en éventail de la manière illustrée.

### Angle À la Surface de Nettoyage

La pulvérisation d'eau contre une surface produit un impact maximum parce qu'elle frappe directement la surface. Par contre, ce type d'impact peut entraîner une incrustation des particules de saleté dans la surface et entraver l'action du nettoyage. L'angle optimal d'eau pulvérisée contre une surface à nettoyer est de 45°.

Pulvériser de l'eau contre une surface à un angle de 45 degrés permet d'obtenir la meilleure force d'impact tout en éliminant efficacement les débris (Voir Figure 19).



Figure 16 - Démarrage du moteur

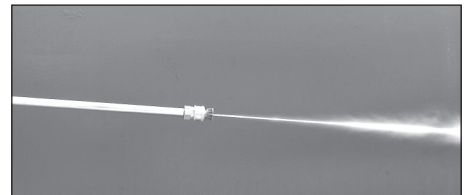


Figure 17 - Jet étroit à fort impact

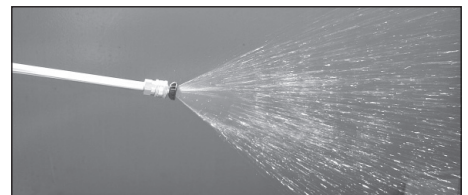


Figure 18 - Motif à éventail large



Figure 19 - Angle optimal de nettoyage de la surface



## Fonctionnement (Suite)

La couleur de la buse indique l'angle de pulvérisationw :

**Rouge** – 0° – Service maximum\*

**Jaune** – 15° – Service lourde

**Verte** – 25° – Service général\*

**Blanc** – 40° – Service léger\*

**Noir** – 65° – Détergent basse pression

**REMARQUE:** Utiliser une taille d'orifice de 2,5

\* = Non inclus avec cet appareil

### Distance de la Surface à Nettoyer

La distance entre le gicleur de pulvérisation et la surface de nettoyage est un autre facteur qui affecte la force d'impact de l'eau. Celle-ci augmente au fur et à mesure où vous déplacez le gicleur plus près de la surface.

### Comment éviter d'endommager les surfaces

Les surfaces de nettoyage peuvent être endommagées par la force d'impact de l'eau qui est supérieure à la résistance de la surface. On peut faire varier la force d'impact en contrôlant l'angle de la buse de pulvérisation par rapport à la surface à nettoyer, la distance par rapport à la surface à nettoyer et également en changeant la buse de pulvérisation. NE JAMAIS utiliser de jet étroit à fort impact sur une surface susceptible d'être endommagée. Éviter de pulvériser les fenêtres avec un jet étroit à fort impact. Ceci pourrait briser la fenêtre. Le meilleur moyen d'éviter d'endommager les surfaces est de suivre ces étapes :

1. Avant d'appuyer sur la gâchette, s'assurer que la buse raccord rapide utilisée convient à la tâche de nettoyage.
2. Placez le gicleur à environ 1,2 m à 1,5 m (4 pieds à 5 pieds) de la surface à nettoyer, puis tenez le gicleur à un angle de 45° de la surface. Appuyez sur la gâchette.
3. Variez l'angle du jet à éventail et la distance à la surface à nettoyer jusqu'à ce que vous atteigniez l'efficacité optimale de nettoyage sans endommager la surface.

### APPLICATION DE DÉTERGENT

**REMARQUE:** Utilisez seulement les détergents formulés pour les pulvérisateurs haute pression. Testez le détergent dans un endroit retiré avant de l'utiliser. Ne pas utiliser de javellisant avec cette laveuse à pression.

### Détergents

Utiliser des détergents peut réduire de beaucoup le temps de nettoyage et aider à retirer les taches rebelles. De nombreux détergents sont faits pour le pulvérisateur haute pression pour des tâches de nettoyage précises. Les détergents de pulvérisateur haute pression sont aussi épais que l'eau. Le fait d'utiliser des détergents plus épais - comme le savon de vaisselle - bloquera le système d'injection chimique et empêchera l'application de détergent.

Appliqués sur la surface, les détergents prennent du temps pour s'attaquer à la poussière et à la saleté. Les détergents fonctionnent mieux appliqués à basse pression.

Vous pouvez nettoyer efficacement les surfaces en combinant l'action chimique des détergents avec les rinçages à haute pression. Pour les surfaces verticales, appliquez le détergent en commençant au bas pour aller vers le haut. La méthode empêche le détergent de glisser vers le bas et de faire des coulisses. Commencez le rinçage haute pression au bas et allez vers le haut. Pour les taches particulièrement rebelles, utilisez une brosse en plus des détergents et du rinçage haute pression.

1. Suivez les directives du fabricant sur l'étiquette pour les bonnes concentrations de mélange de savon/détergents. La proportion de détergent savon à eau dans la pompe est d'environ 12% (1 à 8).
2. Insérez l'extrémité du filtre du tube de détergent de plastique transparent dans le contenant de détergent.
3. Installer la buse basse pression (noire) à 65° sur le raccord rapide à l'extrémité de la lance.

### ⚠ AVERTISSEMENT

**NE JAMAIS** hanger la buse raccord rapide lorsque la gâchette est engagée. Toujours engager le verrou de la gâchette avant de retirer ou d'installer les buses raccord rapide.

### Conseils Généraux de Nettoyage

1. Appliquez le détergent pour couvrir entièrement la surface à nettoyer, de bas en haut pour éviter qu'il ne glisse vers le bas et fasse des marques. Attendez quelques minutes pour que le détergent s'attaque à la poussière et à la saleté. Utilisez une brosse pour frotter un peu les endroits rebelles. Ne laissez jamais le détergent sécher sur la surface à nettoyer.
2. Pour rincer : remplacer la buse raccord rapide noire à angle de 65° par une buse de toute autre couleur.

### ⚠ AVERTISSEMENT

**NE JAMAIS** hanger la buse raccord rapide lorsque la gâchette est engagée. Toujours engager le verrou de la gâchette avant de retirer ou d'installer les buses raccord rapide.

3. Après l'utilisation de détergents, rincer le système d'aspiration en plaçant le tube d'aspiration du détergent dans un seau d'eau propre et en pulvérisant avec la buse de pulvérisation noire.

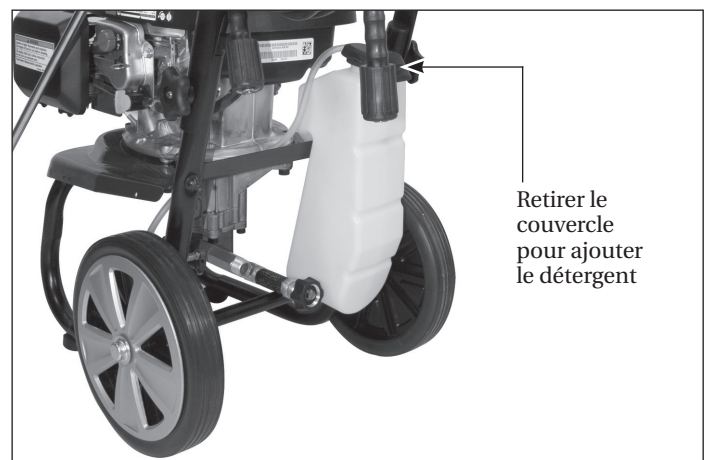


Figure 20 - Réservoir à lessive (détergent)

## Fonctionnement (Suite)

### PUISSANCE DE NETTOYAGE

Le moyen le plus facile de réguler la puissance de nettoyage de votre pulvérisateur est en changeant la distance de la surface que vous nettoyez. Avant de pulvériser avec un large motif éventail tout en étant debout à plusieurs pieds de la surface. Rapprochez-vous lentement de l'objet que vous nettoyez tout en ajustant le motif de pulvérisation au besoin jusqu'à ce que vous trouviez la technique de nettoyage la plus efficace.

### DERNIER RINÇAGE

Le dernier rinçage devrait commencer du bas vers le haut. Assurez-vous de bien rincer toute la surface et de retirer toute trace de détergent.

### PROCÉDURE DE DÉCHARGE DE LA PRESSIION

Pour réduire les risques de blessures ou de dommages à la propriété, toujours suivre cette procédure à la fin de la pulvérisation, lorsque le nettoyage est terminé et avant de vérifier ou de réparer une pièce du système.

1. Engager le verrou de sécurité de gâchette.
2. Éteindre l'appareil.
3. Couper l'alimentation d'eau.
4. Désengager le verrou de sécurité de la gâchette et la gâchette du pistolet pour diminuer la pression.
5. Réengager le verrou de sécurité de la gâchette.
6. Durant la vérification ou la réparation de l'appareil, retirer le câble d'allumage de la bougie.
7. Avant le rangement pour la nuit, le rangement à long terme ou le transport de l'appareil, débrancher l'alimentation d'eau et fermer le robinet d'alimentation en carburant.

### ARRÊT

1. Assurez-vous que tout le détergent est vidé du système.
2. Coupez le moteur.
3. Fermez l'alimentation d'eau.
4. Après avoir coupé le moteur et fermé l'alimentation d'eau, pressez la gâchette pour décompresser le système.

#### AVIS

**NE fermez jamais l'alimentation d'eau avant de couper le moteur. Cela pourrait endommager la pompe et/ou moteur.**

#### ATTENTION

**NE déconnectez jamais le flexible de décharge de haute pression de l'appareil tandis que le système est sous pression. Décompressez en coupant le moteur, fermant l'alimentation d'eau et pressant la gâchette 2 ou 3 fois.**

5. Après chaque utilisation, essuyez les surfaces du pulvérisateur haute pression avec un chiffon propre et humide.

### RANGEMENT

- Ne rangez pas le pulvérisateur haute pression à l'extérieur.
- Ne rangez pas le pulvérisateur haute pression à un endroit où il pourrait geler à moins de le préparer pour l'hiver.

### Instructions de Rangement à Long Terme (plus de 30 jours)

1. Retirez le carburant du réservoir et faites fonctionner le pulvérisateur haute pression en mode d'opération normal jusqu'à ce que le moteur s'arrête faute de carburant. Ce mode signifie que vous pulvériser de l'eau du pistolet tandis que le moteur est en marche.  
Autre méthode – Ajoutez du stabilisateur de carburant à l'essence dans le réservoir et faites fonctionner en mode d'opération normal pendant au moins cinq minutes.
2. Coupez le moteur, fermez l'alimentation d'eau et pressez la gâchette pour décompresser dans le flexible haute pression.
3. Déconnectez l'alimentation d'eau et le flexible haute pression de la pompe.
4. Laissez le moteur refroidir.
5. Déconnectez le fil de la bougie et retirez la bougie.
6. Versez 14,8 mL (1/2 oz.) d'huile à moteur dans le trou de la bougie.

#### AVERTISSEMENT

**Ne tirez jamais la corde de lancement du moteur lorsque la bougie est retirée jusqu'à ce que le trou de la bougie soit couvert car les vapeurs du trou peuvent s'enflammer avec une étincelle.**

7. Placez un chiffon sur le trou de la bougie et tirez lentement sur la corde de lancement plusieurs fois pour distribuer l'huile.

### INSTRUCTIONS POUR L'HIVER

1. Suivez et respectez les instructions de rangement à long terme.
2. Déconnectez le fil.
3. Déconnectez le flexible haute pression de la pompe.
4. Insérez une longueur de tuyau d'arrosage de 30,5 cm à 35,6 cm (12 po à 14 po) dans l'entrée de la pompe.
5. Placez un entonnoir dans l'autre extrémité du tuyau d'arrosage.

#### AVIS

**Lisez les instructions du fabricant pour manipuler et éliminer correctement l'antigel RV.**

6. Versez environ 0,18 L d'antigel RV dans l'entonnoir.
7. Tirez la corde de lancement plusieurs fois jusqu'à ce que l'antigel sorte de la sortie de la pompe.
8. Déconnectez le flexible haute pression du pistolet et drainez le flexible. Tenez le pistolet et la tige en position verticale et pressez la gâchette pour drainer toute l'eau.

### CONSEILS POUR PROLONGER LA DURÉE DE VIE DE VOTRE PULVÉRISATEUR HAUTE PRESSIION

1. Ne faites jamais fonctionner l'appareil sans eau.
2. Votre pulvérisateur haute pression ne doit pas pomper d'eau chaude. Ne connectez jamais votre pulvérisateur haute pression à une source d'eau chaude car cela réduira de beaucoup la vie de la pompe.
3. Faire fonctionner l'appareil pendant plus d'une minute sans pulvériser d'eau fera accumuler la chaleur dans la pompe. Faire fonctionner l'appareil sans pulvériser d'eau pourrait endommager les composants de la pompe.

## Entretien

Respectez les intervalles d'entretien régulier pour assurer une performance maximum et une longue durée de vie du pulvérisateur. Reportez-vous à l'horaire d'entretien recommandé. Si vous faites fonctionner votre pulvérisateur haute pression dans des conditions poussiéreuses, faites les vérifications d'entretien plus souvent.

### INSTRUCTIONS DE CHANGEMENT D'HUILE À MOTEUR

Purger l'huile du moteur pendant qu'il est chaud. L'huile chaude se vide rapidement et complètement.

1. Tourner le robinet à carburant sur la position OFF pour limiter le risque de fuite d'essence.
2. Placer un récipient adapté à proximité du moteur pour récupérer l'huile usagée.
3. Retirer le bouchon de remplissage d'huile et la jauge, puis purger l'huile dans le récipient en basculant le moteur du côté du col de remplissage d'huile.

Veillez mettre au rebut l'huile de moteur usagée dans le respect des pratiques environnementales. Nous vous suggérons de recueillir l'huile usagée dans un récipient étanche et de l'apporter dans un centre de recyclage ou une station service de récupération. Ne pas jeter à la poubelle ni jeter par terre ou verser dans les égouts.

4. Le moteur étant à niveau, remplir avec l'huile recommandée jusqu'à la graduation de limite supérieure indiquée sur la jauge.

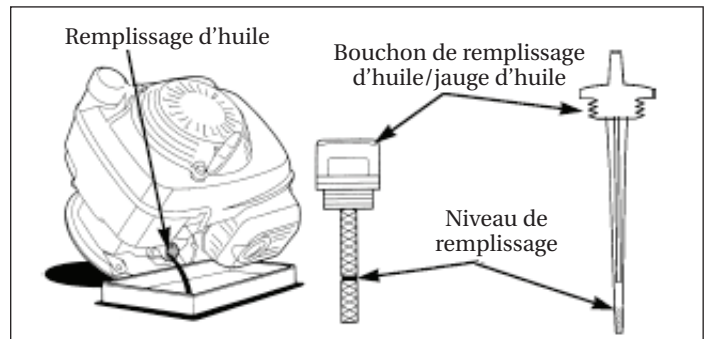


Figure 21 - Vidange d'huile et endroit pour le remplissage d'huile

#### AVIS

*Le fait de faire tourner le moteur lorsque le niveau d'huile est insuffisant risque de l'endommager.*

5. Remettre en place le bouchon de remplissage d'huile avec sa jauge et s'assurer qu'ils sont bien fixés.

### INSTRUCTIONS RELATIVES À LA VIDANGE DE LA POMPE

Il est nécessaire de procéder au démontage de la pompe pour la vidanger ou la remplir d'huile. Cette procédure est habituellement inutile excepté en la présence d'une fuite d'huile lorsque les joints d'étanchéité de la pompe sont usés ou endommagés. En cas de fuite d'huile au niveau de la pompe, apporter la laveuse à pression dans un centre de service Campbell Hausfeld agréé pour la faire réparer.

### HORAIRE D'ENTRETIEN

Horaire d'entretien	Mesure à prendre
Chaque jour	<ul style="list-style-type: none"> <li>• Vérifiez l'écran et le filtre d'entrée d'eau.</li> <li>• Vérifiez les niveaux d'huile à moteur. Remplissez au besoin.</li> <li>• Vérifiez le niveau d'essence. Remplissez au besoin.</li> </ul>
Après les 5 premières heures d'opération	<ul style="list-style-type: none"> <li>• Changer l'huile de rodage du moteur. Utiliser une huile détergente 10W-30 pour automobile. Voir le Manuel du propriétaire Honda pour plus de précisions.</li> </ul>
Toutes les 25 heures d'opération	<ul style="list-style-type: none"> <li>• Changez l'huile si vous utilisez sous des charges lourdes ou à température ambiante élevée.</li> <li>• Nettoyer ou remplacer la cartouche du filtre à air en papier. Tapoter délicatement pour retirer la saleté.</li> </ul>
Toutes les 50 heures d'opération	<ul style="list-style-type: none"> <li>• Changez l'huile.</li> <li>• Remplacez la bougie.</li> </ul>
Toutes les 100 heures d'opération ou tous les 3 mo	<ul style="list-style-type: none"> <li>• Remplacer la cartouche du filtre à air sec en papier.</li> <li>• Changez l'huile du moteur.</li> </ul>

### INFORMATION TECHNIQUE ET ENTRETIEN

Pulvérisateurs Horizontales Haute Pression	
<b>Type d'huile à moteur</b>	SAE 10W-30 SAE 30W (plus de 15° C)
<b>Capacité de l'huile à moteur</b>	Moteurs Honda 0,55 L
<b>Capacité de carburant du moteur</b>	Moteurs Honda 1,10 L
<b>Type d'huile de pompe</b>	Pompes à plateau oscillant Huile pour engrenage 80w90
<b>Capacité d'huile de pompe</b>	Pompes verticales à plateau oscillant 0,08 L
<b>Aspiration de détergent de la pompe</b>	Ratio eau à détergent 8 à 1 (12% détergent)
<b>Exigences en alimentation d'eau</b>	Pression d'entrée minimum 138 kPa Pression d'entrée maximum 690 kPa Température d'entrée maximum 38° C Débit d'entrée minimum 19 Lpm Taille de tuyau d'arrosage d'entrée 15,9 (5/8 po) D.I. Longuer max. du tuyau d'arrosage 15,2 m (50 pieds)

## Guide de dépannage

SYMPTÔME	CAUSE(S) POSSIBLE(S)	MESURE(S) CORRECTIVE(E)
Le moteur ne démarre pas ou démarre difficilement	<ol style="list-style-type: none"> <li>1. Aucune essence dans le réservoir de carburant ou dans le carburateur</li> <li>2. Niveau d'huile faible</li> <li>3. Commutateur démarrage/arrêt est en position d'arrêt</li> <li>4. De l'eau dans l'essence ou carburant vieux</li> <li>5. Filtre d'air sale</li> <li>6. Bougies sales, mauvais écart ou mauvais type</li> <li>7. Pistolet de pulvérisation fermé</li> <li>8. Autres causes</li> </ol>	<ol style="list-style-type: none"> <li>1. Remplissez le réservoir d'essence, ouvrez la soupape d'arrêt. Vérifiez la conduite d'essence et le carburateur</li> <li>2. Vérifiez le niveau d'huile. Remplissez au besoin</li> <li>3. Déplacez le commutateur en position de démarrage</li> <li>4. Vidangez le réservoir de carburant et le carburateur. Utilisez du nouveau carburant et asséchez la bougie</li> <li>5. Retirez, nettoyez et remplacez</li> <li>6. Nettoyez, ajustez l'écart ou remplacez</li> <li>7. Pressez la gâchette de pulvérisation</li> <li>8. Consultez le manuel du propriétaire du moteur</li> </ol>
Râtes du moteur ou manque de puissance	<ol style="list-style-type: none"> <li>1. Filtre d'air partiellement bloqué</li> <li>2. Bougies sales, mauvais écart ou mauvais type</li> </ol>	<ol style="list-style-type: none"> <li>1. Retirez, nettoyez et remplacez</li> <li>2. Nettoyez, ajustez l'écart ou remplacez</li> </ol>
Faible pression et/ou pompe tourne de manière irrégulière	<ol style="list-style-type: none"> <li>1. Embout usé ou de mauvaise taille</li> <li>2. Filtre d'entrée de la pompe bloquée</li> <li>3. Joints hydrauliques usés, abrasifs dans l'eau ou usure normale</li> <li>4. Entrée ou soupapes de décharge polluées ou sales</li> <li>5. Entrée restreinte</li> <li>6. Entrée ou soupapes de décharge usées</li> <li>7. Fuite de flexible haute pression</li> <li>8. Pompe aspire de l'air</li> <li>9. Joint de soupape de décharge défectueux ou usé</li> </ol>	<ol style="list-style-type: none"> <li>1. Remplacez en utilisant un embout de la bonne taille</li> <li>2. Nettoyez. Vérifiez plus souvent</li> <li>3. Vérifiez le filtre. Remplacez les joints hydrauliques. Consulter un centre de service ou appeler le service à la clientèle pour obtenir des trousse de remplacement.</li> <li>4. Nettoyez les assemblages de soupape de décharge et d'entrée. Vérifiez le filtre</li> <li>5. Vérifiez le tuyau d'arrosage qui pourrait être enfoncé ou tortillé. Vérifiez le débit d'eau d'entrée</li> <li>6. Remplacez les soupapes usées</li> <li>7. Remplacez le flexible haute pression</li> <li>8. Assurez-vous que les tuyaux et raccords soient bien serrés</li> <li>9. Vérifiez et remplacez</li> </ol>
Fuite d'eau sous le collecteur de pompe	Joints hydrauliques usés	Installez de nouveaux joints hydrauliques. Consulter un centre de service ou appeler le service à la clientèle pour obtenir des trousse de remplacement.
De l'eau dans le carter de la pompe (huile crémeuse)	<ol style="list-style-type: none"> <li>1. Condensation d'air humide dans le carter</li> <li>2. Fuites d'huile</li> </ol>	<ol style="list-style-type: none"> <li>1. Changez l'huile tel qu'indiqué dans l'horaire d'entretien</li> <li>2. Installez de nouveaux joints d'huile. Consulter un centre de service ou appeler le service à la clientèle pour obtenir des trousse de remplacement.</li> </ol>

*Suite Page Suivante*

## Guide de dépannage (Suite)

SYMPTÔME	CAUSE(S) POSSIBLE(S)	MESURE(S) CORRECTIVE(E)
Défaillance fréquente ou prématurée des joints hydrauliques de la pompe	<ol style="list-style-type: none"> <li>1. Pistons usés ou endommagés et rayés</li> <li>2. Matériau abrasif dans le fluide</li> <li>3. Température d'eau d'entrée trop élevée</li> <li>4. Surpression de la pompe</li> <li>5. Trop de pression suite à un embout endommagé ou partiellement bloqué</li> <li>6. Pompe tourne trop long temps sans pulvériser</li> <li>7. Pompe tourne à sec</li> </ol>	<ol style="list-style-type: none"> <li>1. Installez de nouveaux pistons. Consulter un centre de service ou appeler le service à la clientèle pour obtenir des trousse de remplacement.</li> <li>2. Installez la bonne filtration sur la plomberie d'entrée de la pompe</li> <li>3. Vérifiez la température de l'eau; ne doit pas dépasser 38°C.</li> <li>4. Ne modifiez pas les réglages en usine</li> <li>5. Nettoyez ou remplacez l'embout</li> <li>6. Ne faites jamais fonctionner la pompe pendant plus de 2 minutes sans pulvériser</li> <li>7. Ne pompez pas sans eau</li> </ol>
Forte pompage à l'entrée et faible pression	Particules étrangères dans la soupape d'entrée ou de décharge ou soupapes de décharge et/ou entrée usées	Nettoyez ou remplacez les soupapes. Consulter un centre de service ou appeler le service à la clientèle pour obtenir des trousse de remplacement.
Fuite d'huile entre le moteur et la pompe	Joints d'huile et/ou joint torique usés	Consulter un centre de service ou appeler le service à la clientèle pour obtenir des trousse de remplacement.
Pression fluctuante	<ol style="list-style-type: none"> <li>1. Soupape usée, sale ou bloquée</li> <li>2. Pompe aspire de l'air</li> <li>3. Embout bloqué</li> </ol>	<ol style="list-style-type: none"> <li>1. Vérifiez et remplacez</li> <li>2. Assurez-vous que les flexibles et raccords sont serrés. Drainez l'air du tuyau d'arrosage</li> <li>3. Vérifiez ou remplacez</li> </ol>
Chutes de pression après la période d'utilisation normale	<ol style="list-style-type: none"> <li>1. WJoints hydrauliques de pompe usés</li> <li>2. Gicleur usé</li> <li>3. Soupape usée, sale ou bloquée</li> <li>4. Joint de soupape de décharge usé ou sale</li> <li>5. Gicleur en position de faible kPa</li> </ol>	<ol style="list-style-type: none"> <li>1. Vérifiez et remplacez</li> <li>2. Vérifiez et remplacez</li> <li>3. Vérifiez, nettoyez ou remplacez</li> <li>4. Vérifiez, nettoyez ou remplacez</li> <li>5. Ramenez le gicleur à la position de haute pression</li> </ol>
Pompe bruyante/pompe fonctionne de manière irrégulière	<ol style="list-style-type: none"> <li>1. Pompe aspire de l'air/faible alimentation d'eau</li> <li>2. Soupapes sales ou usées</li> <li>3. Roulements usés</li> <li>4. Eau trop chaude</li> </ol>	<ol style="list-style-type: none"> <li>1. Assurez-vous que les raccords sont bien serrés. Augmentez la pression d'eau</li> <li>2. Vérifiez, nettoyez ou remplacez</li> <li>3. Vérifiez et remplacez</li> <li>4. Réduisez la température sous 38°C</li> </ol>
Ne tire pas de détergent	<ol style="list-style-type: none"> <li>1. L'embout n'est pas poussé assez loin</li> <li>2. Blocage, tortillement ou trou dans le flexible d'aspiration du détergent</li> <li>3. Flexible trop long</li> <li>4. Le jet ne fonctionne pas correctement</li> </ol>	<ol style="list-style-type: none"> <li>1. Poussez l'embout vers l'avant aussi loin que possible</li> <li>2. Si c'est propre, étirez ou remplacez le flexible.</li> <li>3. Utilisez seulement la longueur fournie lors de l'achat initial du pulvérisateur haute pression. L'aspiration de détergent ne fonctionne pas si plus d'une section de flexible est fixé à l'appareil.</li> <li>4. Retirez le jet du pistolet. Si le détergent est distribué par le pistolet, le jet doit être remplacé. Si aucun détergent n'est distribué par le pistolet, retirez 2,54 cm (1 po) de tétine de détergent effilée de la pompe. Nettoyez la tétine et assurez-vous que la boule et le ressort soient bien alignés avec la partie effilée du ressort face à la boule. La boule devrait être sur le ressort.</li> </ol>



**Pour pièces de rechange ou assistance technique, appeler 1-800-330-0712**

*S'il vous plaît fournir l'information suivante :*

- Numéro de modèle
- Code imprimé sur l'outil
- Description de la pièce et son numéro

*Adresser toute correspondance à :*

Campbell Hausfeld  
Attn: Customer Service  
100 Mundy Memorial Drive  
Mt. Juliet, TN 37122 U.S.A.

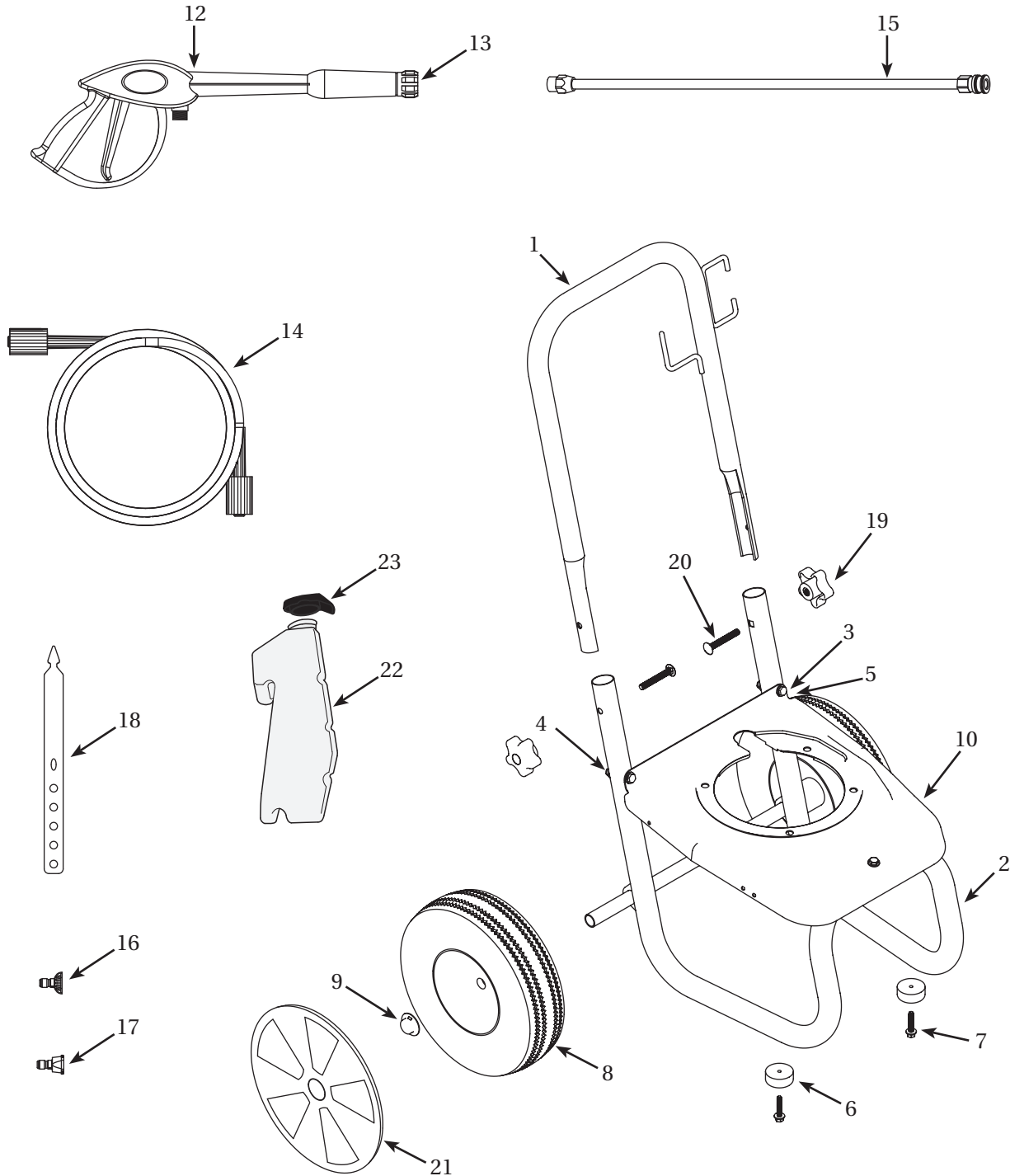


Figure 22 – Illustration des pièces de réparation



## Liste de Pièces de Rechange

N°. de Réf.	Description	Numéro de pièce	Qté.
1	Manche	PM344057KK	1
2	Cadre	PM344766KK	2
3	Rondelle plate	PM002000AV, *	6
4	Écrou de serrage en nylon, 1/4 po - 20	ST073808AV, *	3
5	Boulon, 1/4 po - 20 (base)	PM001902AV, *	3
6	Parechocs en caoutchouc	AL062300AV	2
7	Vis autotaraudeuse 1/4 po -20 x 3/4 po	MJ102100AV, *	2
8	Roue	WA120102AV	2
9	Écrou poussoir (2)	PM344775SJ	2
10	Plaque de base	PM344725BR	1
11	Tube de détergent (pas indiqué)	PM013800AV	1
12	Pistolet	PM005140AV	1
13	Joint torique (pistolet) (pas indiqué)	PM245800SV	1
14	Tuyau	PM005015AV	1
15	Lance	PM035120AV	1
16	Buse, 15° (Jaune)	PM039696AV	1
17	Buse, 65° (Noir)	PM039820AV	1
18	Porte-buse, buse raccord rapide	PM344304AV	1
19	Poignée à croisillon (2 pcs.)	PM344773SJ	2
20	Écrou de châssis (2 pcs.)	PM344774SJ	2
21	Couvercle de roue	AL120102AV	2
22	Réservoir de savon	PM351400AV	1
23	Couvercle de réservoir de savon	PM351405AV	1

**Accessoires de buse disponibles pour le modèle PW2575 (non fournies avec l'appareil)**

	Buse, 0° (Rouge)	PM039695AV
	Buse, 25° (Vert)	PM039697AV
	Buse, 40° (Blanc)	PM039698AV

\* Article normal de quincaillerie

★ Pour l'entretien du moteur ou des pièces de rechange, appeler Honda au 1-800-426-7701

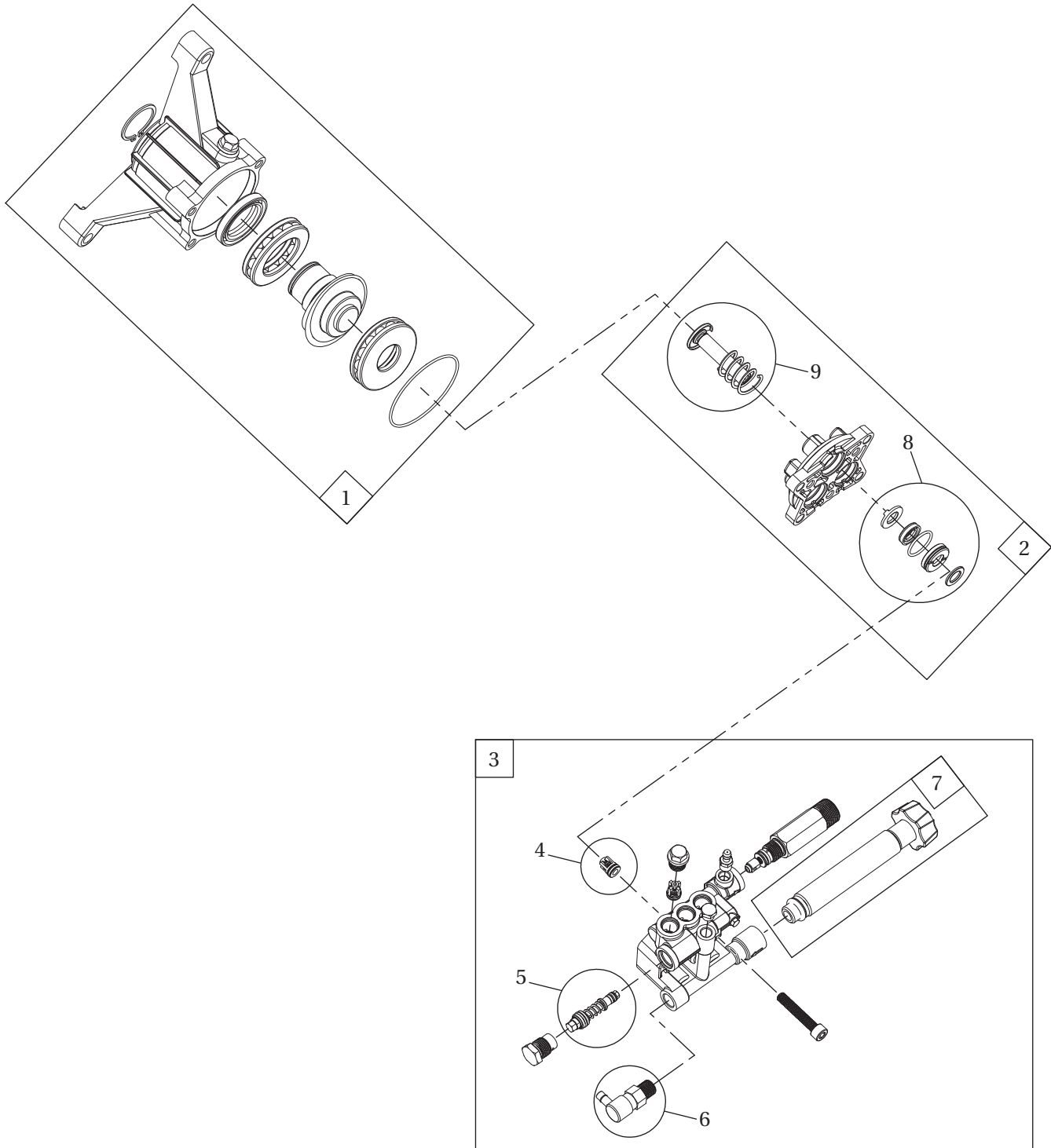
**Pour pièces de rechange ou assistance technique, appeler 1-800-330-0712**

*S'il vous plaît fournir l'information suivante :*

- Numéro de modèle
- Code imprimé sur l'outil
- Description de la pièce et son numéro

*Adresser toute correspondance à :*

Campbell Hausfeld  
Attn: Customer Service  
100 Mundy Memorial Drive  
Mt. Juliet, TN 37122 U.S.A.



**Figure 23 – Illustration des pièces de réparation**

## Liste de Pièces de Rechange

N°. de Réf.	Description	Numéro de pièce	Qté.
1 ▲	Assemblage du réservoir inférieur	PM351305SV	1
2 ▲	Ensemble du bloc pompe	PM351310SV	1
3 ▲	Ensemble de la tête de pompe	PM351315SV	1
4	Trousse de soupapes (comporte 6 valves)	PM351331SV	1
5	Soupape de décharge	PM351332SV	1
6	Soupape de décharge thermique	PM351325SV	1
7	Assemblage du tuyau d'entrée	PM351320SV	1
8	Trousse de joint d'étanchéité d'eau	PM351330SV	1
9	Trousse de pistons (jeu de 3)	PM351333SV	1
▲	Montage de pompe	PM351300SJ	

## Spécifications de couple (kg-cm)

Description	Couple
Soupape de soulagement thermique	110
Ardillon de tuyau	100
Boulon à tête	110
Capacité d'huile: 0,08 L	
Type d'huile: Huile pour engrenage 80w90	

**Mémento:** *Gardez votre preuve datée d'achat à fin de la garantie! Joignez-la à ce manuel ou classez-la dans un dossier pour plus de sécurité.*

---

## Garantie Limitée

1. DURÉE: À compter de la date d'achat par l'acheteur d'origine, comme suit: Un (1) ans pour la laveuse à pression, un (1) an pour la pompe et le moteur et 90 jours pour les pièces d'usure.
2. GARANTIE ACCORDÉE PAR (GARANT): Campbell Hausfeld/Scott Fetzer Company, 100 Mundy Memorial Drive, Harrison, Ohio, 45030, Téléphone: (800) 543-6400
3. BÉNÉFICIAIRE DE CETTE GARANTIE (ACHETEUR): L'acheteur original (excepté en cas de revente) de la laveuse à pression Campbell Hausfeld.
4. PRODUITS COUVERTS PAR CETTE GARANTIE: Cette laveuse à pression Campbell Hausfeld fournie ou fabriquée par le garant.
5. COUVERTURE DE LA PRÉSENTE GARANTIE: Défauts importants de matériau et de main d'œuvre qui se produisent durant la période de garantie à l'exception des éléments indiqués ci-dessous.
6. LA PRÉSENTE GARANTIE NE COUVRE PAS:
  - A. Les garanties implicites, y compris celles de commercialité et D'ADAPTATION À UNE FONCTION PARTICULIÈRE, SONT LIMITÉES À PARTIR DE LA DATE D'ACHAT INITIALE COMME PRÉCISÉ DANS LA SECTION DURÉE. Certains états ne reconnaissent pas les limitations relatives à la durée de la garantie implicite. En conséquence, les limitations précédentes ne s'appliquent pas à tous les cas.
  - B. TOUT DOMMAGE OU TOUTE PERTE OU DÉPENSE FORTUIT, INDIRECT OU CONSÉCUTIF POUVANT RÉSULTER DE TOUT DÉFAUT, PANNE OU MAUVAIS FONCTIONNEMENT DE LA laveuse à pression CAMPBELL HAUSFELD. Certains états ne reconnaissent pas l'exclusion ou la limitation des dommages accidentels ou indirects; il se peut donc que la limitation ou l'exclusion énoncée ci-dessus ne vous concerne pas.
  - C. Toute défaillance du fait de dommages durant l'expédition, d'accidents, d'une utilisation abusive, de la négligence ou d'une panne au niveau de l'installation ou de l'utilisation de la laveuse à pression ne respectant pas les instructions fournies dans le(s) manuel(s) du propriétaire livré(s) avec le produit.
  - D. Le service avant livraison comme par exemple le montage, l'huile ou les lubrifiants et réglages.
  - E. Les articles ou services qui sont exigés pour l'entretien normal de la laveuse à pression.
  - F. Les articles supplémentaires qui ne sont pas pris en compte par cette garantie:
    1. Les articles d'usure normale tels que les tuyaux haute pression, les bagues d'étanchéité, les joints toriques, les soupapes, les lances et les buses de pulvérisation.
    2. Les défauts cosmétiques qui n'entravent pas le fonctionnement de l'appareil.
    3. Les composants rouillés.
    4. L'usure de la pompe ou le dommage aux soupapes causé(e) par l'utilisation d'une huile non conforme, toute contamination de l'huile ou du fait du non-respect des directives d'entretien de l'huile.
  - G. Les moteurs à essence et les pièces détachées sont expressément exclus de cette garantie limitée. L'acheteur doit retourner les pièces détachées du moteur à essence au fabricant originel ou à son centre de service autorisé.
7. RESPONSABILITÉS DU GARANT AUX TERMES DE CETTE GARANTIE: Réparation ou remplacement, au choix du Garant, de la laveuse à pression ou d'un composant qui s'est révélé défectueux, qui fonctionne mal et/ou qui n'est pas conforme pendant la durée de validité de la garantie.
8. RESPONSABILITÉS DE L'ACHETEUR AUX TERMES DE CETTE GARANTIE:
  - A. Fournir une preuve d'achat datée et un état d'entretien.
  - B. Apporter ou expédier la laveuse à pression ou les composants au centre de service autorisé Campbell Hausfeld le plus proche. Les frais de transport, le cas échéant, sont à la charge de l'acheteur.
  - C. Faire preuve de diligence raisonnable durant le fonctionnement et l'entretien de la laveuse à pression de la manière indiquée dans le(s) manuel(s) du propriétaire.
9. DÉLAIS DE RÉPARATION OU DE REMPLACEMENT EFFECTUÉS PAR LE GARANT AUX TERMES DE LA PRÉSENTE GARANTIE: La réparation ou le remplacement seront programmés et exécutés conformément au déroulement du travail normal du centre de service et selon la disponibilité des pièces de rechange.

Cette limitation de garantie s'applique aux États-Unis, au Canada et au Mexique uniquement et vous confère des droits juridiques précis auxquels peuvent venir s'ajouter d'autres droits en fonction de votre état, province ou pays de résidence.

---



# *Lavadoras a presión con motor a gasolina*

Manual de Instrucciones y Lista de Piezas

**PW2575**



ENGLISH: Page 1

FRANÇAISE: Page Fr1

IN469404AV 7/12

© 2012 Campbell Hausfeld/Scott Fetzer



## Índice

---

Descripción .....	Sp3	Enjuague Inicial de Alta Presión ...	Sp12
Especificaciones .....	Sp3	Ajuste del ángulo del abánico de rociado .....	Sp12
Medidas de Seguridad .....	Sp4	Ángulo con respecto a la superficie a limpiar .....	Sp12
Símbolos de Seguridad .....	Sp4	Distancia de la superficie a limpiar .....	Sp12
Importantes Instrucciones De Seguridad .....	Sp4	Cómo evitar daños a la superficie .....	Sp12
Instrucciones En Referencia Al Peligro De Incendios, Choque Eléctrico O Lesiones Personales ...	Sp4	Aplicación de Detergente .....	Sp13
Proposición 65 de California .....	Sp4	Detergentes .....	Sp13
General .....	Sp4	Consejos generales de limpieza .....	Sp13
Área de Trabajo .....	Sp4	Poder de Limpieza .....	Sp13
Seguridad Personal .....	Sp4	Enjuague Final .....	Sp13
Uso y Cuidado de la Herramienta ..	Sp5	Procedimiento de Liberación de Presión .....	Sp14
Servicio .....	Sp5	Apagado .....	Sp14
Preguntas Frecuentes .....	Sp6	Almacenamiento .....	Sp14
Desempaque .....	Sp7	Instrucciones para el Almacenamiento a Largo Plazo ..	Sp14
Contenido de la Caja .....	Sp7	Instrucciones para la Preparación Invernal .....	Sp14
Artículos Adicionales no Incluidos ..	Sp7	Sugerencias para Extender la Vida Útil de su Lavadora a Presión .....	Sp14
Glosario .....	Sp8	Mantenimiento .....	Sp15
Conozca su Lavadora a Presión .....	Sp9	Instrucciones para el Cambio de Aceite del Motor .....	Sp15
Usos Recomendados para esta Lavadora a Presión .....	Sp9	Planificación del Mantenimiento ..	Sp15
Ensamblaje y Antes del Funcionamiento .....	Sp10	Información Técnica y Para el Consumidor .....	Sp15
Ensamblaje .....	Sp10	Tabla de Identificación de Problemas .....	Sp16
Seguro del Gatillo .....	Sp11	Lista de Piezas de Repuesto .....	Sp18
Funcionamiento .....	Sp11	Garantía Limitada .....	Sp22
Preparación de Superficie .....	Sp11		
Encendido .....	Sp11		

---

### Por Información Sobre Piezas, Productos y Servicios

**Llame:** Atención al cliente al 1-800-330-0712

**Dirija toda la correspondencia a:** Campbell Hausfeld  
Attn: Customer Service  
100 Mundy Memorial Drive  
Mt. Juliet, TN 37122



# Lavadoras a presión con motor a gasolina



## Descripción

Estas lavadoras a presión a gasolina para el consumidor están diseñadas para proyectos de pequeños a medianos. Son estupendas para proyectos en talleres de mantenimiento, granjas, hogares o edificios, senderos o aceras de concreto y equipo pesado.

Todos los carros tienen una estructura de acero duradera, están soldados y cubiertos con pintura pulverizada para una larga duración. Estas lavadoras a presión son orgullosamente fabricadas en Tennessee con motores Honda confiables y de trabajo pesado.



Figura 1 - Modelo PW2575

## Especificaciones

### Modelo PW2575

Bomba con cabezal de aluminio Honda GCV160

Boquilla N.º 2.5

**Presión:** 186,17 bar (2700 psi)

**Flujo:** 9,08 l/m (2,4 GPM)

Sírvase registrar el N° de modelo y el N° de serie para usarlos cuando se ponga en contacto con el fabricante:

N° de modelo: \_\_\_\_\_

N° de serie: \_\_\_\_\_

Fecha de compra: \_\_\_\_\_

Lugar de compra: \_\_\_\_\_

Para mayor información sobre este producto, comuníquese con el distribuidor de Campbell Hausfeld más cercano a su domicilio.

## Medidas de Seguridad

Este manual contiene información que es muy importante que se conozca y comprenda. Esta información se proporciona con fines de SEGURIDAD y para EVITAR PROBLEMAS CON EL EQUIPO. Para ayudar a reconocer esta información, observe los siguientes símbolos.

**▲ PELIGRO** Peligro indica una situación inminentemente peligrosa, que si no se evita, dará como resultado la muerte o lesiones graves.

**▲ ADVERTENCIA** Advertencia indica una situación potencialmente peligrosa, que si no se evita, PODRÍA ocasionar la muerte o lesiones graves.

**▲ PRECAUCION** Precaución indica una situación potencialmente peligrosa, que si no se evita, PUEDE dar como resultado lesiones leves o moderadas.

**AVISO** Aviso indica una información importante, que de no seguirla, le podría ocasionar daños al equipo.

**IMPORTANTE:** información que requiere atención especial.

## Símbolos de Seguridad

Los siguientes símbolos de seguridad aparecen a lo largo de este manual para advertirle de importantes peligros y precauciones de seguridad.



Lea primero el manual



Riesgo de explosión



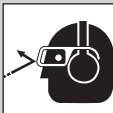
Riesgo de incendio



Riesgo de caída



Riesgo de lesiones personales



Use protección para los ojos y los oídos

## Importantes Instrucciones De Seguridad

### INSTRUCCIONES EN REFERENCIA AL PELIGRO DE INCENDIOS, CHOQUE ELÉCTRICO O LESIONES PERSONALES

Este manual contiene información sobre seguridad, funcionamiento y mantenimiento. Si tiene preguntas, llame al 1-800-330-0712 para obtener asistencia al cliente.

**▲ ADVERTENCIA** Cuando se usen herramientas, siempre se deberán seguir precauciones básicas, incluyendo las siguientes:

### PROPOSICIÓN 65 DE CALIFORNIA

**▲ ADVERTENCIA** Este producto o su cable de corriente pueden contener químicos, incluido plomo, que es conocido por el Estado de California como causante de cáncer y defectos de nacimiento u otros daños reproductivos. Lávese las manos después de manipularlo.

### GENERAL

- Para reducir el riesgo de choque eléctrico, incendio y lesiones personales, lea todas las instrucciones antes de usar la herramienta. Si no respeta las advertencias, los riesgos y las recomendaciones, eso podría resultar en la MUERTE o en LESIONES GRAVES.
- Familiarícese con los controles y el uso adecuado del equipo. Siga todas las instrucciones. Póngase en contacto con su representante Campbell Hausfeld si tiene alguna pregunta.
- Sólo se les debe permitir usar esta unidad a aquellas personas bien familiarizadas con estas reglas de manejo seguro.
- Cumpla con todos los códigos de seguridad así como también con la Ley de salud y seguridad ocupacional (OSHA).



### ÁREA DE TRABAJO

- Mantenga a todas las personas alejadas del área de funcionamiento.
- Mantenga el área de trabajo limpia y bien iluminada. Los bancos desordenados y las áreas oscuras aumentan el riesgo de choque eléctrico, incendio y lesiones personales.
- No haga funcionar la herramienta en entornos explosivos, como por ejemplo cuando haya polvo, líquidos o gases inflamables. La herramienta puede crear chispas y provocar la ignición de polvo o vapores.
- NUNCA rocíe líquidos inflamables ni use la lavadora a presión en áreas que contengan polvo, líquidos o vapores combustibles.
- Nunca ponga esta máquina en funcionamiento en un edificio cerrado o dentro o cerca de un entorno explosivo.



### SEGURIDAD PERSONAL

- Manténgase alerta. Mire lo que está haciendo y use el sentido común cuando haga funcionar la herramienta. No use la herramienta si está cansado o bajo la influencia de drogas, alcohol o medicamentos. Un momento de desatención mientras hace funcionar la herramienta aumenta el riesgo de lesiones personales.
- Vístase adecuadamente. No use alhajas ni vestimenta suelta. Sujétese el cabello largo. Mantenga el cabello, vestimenta y guantes alejados de las piezas móviles. La vestimenta suelta, las alhajas o el cabello largo aumentan el riesgo de lesiones personales como resultado de quedar atrapados en las piezas móviles.
- No intente alcanzar lugares alejados. Mantenga un buen soporte y equilibrio en todo momento. Un soporte y equilibrio adecuados permiten un mejor control de la herramienta en situaciones inesperadas.



**▲ ADVERTENCIA** Riesgo de inyección o lesiones graves. Manténgase alejado de la boquilla. No descargue chorros hacia las personas.

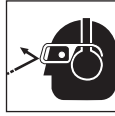
Este producto está diseñado para que lo usen únicamente operadores capacitados. Siempre retire la lanza de la pistola antes de limpiar los residuos de la boquilla.



## Importantes Instrucciones De Seguridad (Continuación)

- d. Manténgase alejado de la boquilla. NUNCA dirija el rociado de alta presión a ninguna persona, animal ni a usted mismo.
- e. NUNCA coloque la mano ni los dedos sobre la boquilla de rociado mientras opera la unidad.
- f. NUNCA intente detener ni desviar las pérdidas con partes de su cuerpo.

**⚠ ADVERTENCIA** *Asegurarse de que la herramienta se use únicamente cuando el operador y todo el resto del personal en el área de trabajo estén usando equipo de protección ocular ANSI Z87, y cuando sea necesario, demás equipo de protección adecuado como para la protección de la cabeza, protección auditiva, guantes, botas de goma, ropa de protección al operar el equipo y realizar el mantenimiento. Pueden ocasionarse lesiones graves o permanentes de ojos y oídos.*



### USO Y CUIDADO DE LA HERRAMIENTA

**⚠ ADVERTENCIA** *No ejerza presión que exceda la presión de funcionamiento de cualquiera de las piezas (mangueras, accesorios, etc.) en el sistema presurizado. Asegúrese de que todo el equipo y los accesorios estén clasificados para soportar la máxima presión de funcionamiento de la unidad.*

**⚠ ADVERTENCIA** *Peligro de explosión.*

- a. Cuide su herramienta. Una herramienta mantenida adecuadamente reduce el riesgo de problemas y es más fácil de controlar.
- b. Asegúrese de que los dispositivos de seguridad estén funcionando correctamente antes de cada uso. NO quite ni modifique ninguna pieza de la pistola o la unidad.
- c. NUNCA ponga la máquina en funcionamiento sin que los componentes estén debidamente conectados a la máquina (mango, pistola/ensamble de la varilla, boquilla, etc.).
- d. Aprenda cómo detener este producto y liberar la presión rápidamente. Familiarícese bien con los controles.
- e. SIEMPRE enganche el pasador de seguridad del gatillo en la posición segura cuando detiene el rociado, aunque sea solamente por algunos minutos.
- f. NUNCA enganche el mecanismo del gatillo en forma permanente en la pistola.
- g. SIEMPRE siga las recomendaciones que se encuentran en la etiqueta del fabricante para el uso adecuado de detergentes. Siempre protéjase los ojos, la piel y las vías respiratorias del uso de detergentes.
- h. NUNCA desconecte la manguera de descarga de alta presión de la máquina mientras el sistema esté presurizado. Para despresurizar la máquina, apague la corriente eléctrica y el suministro de agua, luego presione el gatillo de la pistola 2 ó 3 veces.
- i. No quite la tapa del tanque de combustible mientras el motor esté caliente o funcionando (deje que el motor se enfríe un par de minutos antes de añadir combustible). Llene siempre lentamente el tanque de combustible.

- j. Siga las instrucciones de mantenimiento que se especifican en el manual.

### AVISO

*Daño al equipo:*

- k. SIEMPRE encienda el suministro de agua antes de encender la lavadora a presión. **El poner la bomba seca en funcionamiento provoca graves daños.**
- l. No ponga en funcionamiento la lavadora a presión si se ha quitado la rejilla de la entrada de agua. Mantenga la rejilla libre de residuos y sedimentos.
- m. NUNCA opere la lavadora a presión si tiene piezas rotas o si le faltan piezas. Verifique el equipo periódicamente y repare o reemplace las piezas desgastadas o dañadas inmediatamente.
- n. Use sólo la boquilla que se proporciona con esta máquina.
- o. NUNCA deje la varilla de pulverización sin supervisión mientras la máquina está en funcionamiento.
- p. SIEMPRE sostenga la pistola y la varilla de pulverización con firmeza cuando encienda y opere la máquina.
- q. NUNCA permita que la unidad funcione durante más de un (1) minuto sin apretar el gatillo (desactivado). La acumulación de calor producida dañará la bomba.
- r. NUNCA guarde la lavadora a presión a la intemperie o donde pudiera congelarse. Las temperaturas de congelación pueden dañar seriamente la bomba.
- s. NUNCA deje la varilla de pulverización sin supervisión mientras la máquina está en funcionamiento.

### SERVICIO

- a. **Al realizarle un servicio a la herramienta, utilice únicamente piezas de repuesto idénticas. Use sólo piezas autorizadas.**

### GUARDE ESTAS INSTRUCCIONES – NO LAS DESECHE

**NOTA:** *Los símbolos de PELIGRO, ADVERTENCIA, PRECAUCIÓN, y AVISO y las instrucciones en este manual no pueden posiblemente cubrir todas las condiciones y situaciones posibles que puedan presentarse. El usuario debe entender que las precauciones y el sentido común son factores que no pueden incorporarse en este producto: es el usuario mismo quien debe contribuirlos.*

## Preguntas Frecuentes

### ***¿Cómo enciendo mi lavadora a presión?***

1. Asegúrese de tener aceite en el motor y gasolina en el tanque. El motor SE ENTREGA SIN ACEITE.
2. Abra el pase de agua, luego presione el gatillo para asegurarse de que el agua fluya con facilidad desde la boquilla.
3. Abra la válvula de cierre de combustible girando la perilla en sentido antihorario hasta que llegue al tope.
4. Cierre la toma de aire (si el motor está frío) moviendo el anillo de la toma de aire totalmente a la derecha.
5. Coloque la válvula de cierre de combustible en "ON" (abierto).
6. Hale el gatillo (para aliviar toda retropresión de la bomba) mientras hala el cordón de arranque.

### ***¿Qué tipo de aceite debo usar?***

Motor: El motor SE ENTREGA SIN ACEITE. Vea la página Sp 15 para los tipos y cantidades de aceite.

Bomba: La bomba se entrega con la cantidad correcta de aceite y no debe necesitar cambios o cantidades adicionales. Vea la página Sp 15.

### ***¿Por qué no tengo presión de agua? ¿Por qué no tengo presión de agua?***

- ¿La manguera de agua está conectada a la lavadora a presión?
- ¿Está abierta el agua?
- Verifique si hay algún pliegue, pérdida u obstrucción en las mangueras, accesorios o en la boquilla.
- ¿Está en su lugar la boquilla de conexión rápida (ver página Sp 10)?
- Revise la rejilla del filtro de entrada para verificar si tiene residuos.

### ***¿Cómo puedo lograr alta presión?***

- Use cualquier boquilla de color menos la negra. La boquilla negra se usa sólo para la aplicación de detergente a baja presión.

### ***¿Cómo puedo activar la succión de jabón?***

1. Conecte el tubo transparente de succión de productos químicos al conector plástico dentado de la bomba para la manguera, introduzca el otro extremo en el detergente.
2. Instale la boquilla de pulverización negra para aplicar detergente a baja presión.

### ***¿Por qué la lavadora a presión no aplica el jabón a alta presión?***

Los detergentes "resbalan" de las superficies de limpieza tan pronto como se apliquen. Las características de la lavadora de presión permiten que el detergente se succione sólo en el modo de presión baja. Aplicando el detergente en baja presión, se reduce el efecto de "resbalamiento". Además, los detergentes son eficaces cuando se permite un tiempo de contacto para que trabajen en la superficie de lo que se quiera limpiar. Después de aplicar el detergente, deje que trabaje de 1 a 3 minutos, y luego proceda a enjuagar la superficie con alta presión.

### ***¿Qué mantenimiento debo darle a mi lavadora a presión?***

1. Después de apagar la lavadora a presión y el agua, alivie la presión de la manguera halando el gatillo de la pistola.
2. Desconecte la manguera de jardín y la manguera de alta presión de la bomba.
3. Hale lentamente del cordón de arranque cinco veces para sacar el agua de la bomba. Esto ayuda a proteger la bomba de posibles daños.
4. No almacene su lavadora a presión en un lugar donde la temperatura puede bajar por debajo de 32°F (0°C).
5. Siga las instrucciones para el almacenamiento y preparación invernal adecuados, en página 14.

### ***¿Qué hago si me falta una pieza?***

Llame a Campbell Hausfeld al 1-800-330-0712 y reemplazaremos inmediatamente sus piezas faltantes durante los primeros 90 días posteriores a su compra. ¡NO DEVUELVA LA LAVADORA A PRESIÓN AL COMERCIANTE!

### ***¿Dónde puedo comprar accesorios para mi lavadora a presión?***

- Si no puede conseguir accesorios en el almacén donde ha comprado su lavadora a presión, llame a Campbell Hausfeld al 1-800-330-0712 o visite nuestro sitio web: [www.chpower.com](http://www.chpower.com).

### ***¿A quién llamo si tengo preguntas o problemas?***

Llame a Campbell Hausfeld al 1-800-330-0712 (U.S.A.)



Desempaque



Figure 2

CONTENIDO DE LA CAJA

- ◆ Una lavadora a presión (bomba, motor, base del carro)
- ◆ Un conjunto del mango del carro
- ◆ Una pistola de pulverización y una lanza de conexión rápida
- ◆ Dos boquillas de pulverización
- ◆ Una manguera de alta presión
- ◆ Un paquete con tuercas, pernos y manuales
- ◆ Tanque de jabón y tapa

ARTÍCULOS ADICIONALES NO INCLUIDOS

- ◆ Protección para los ojos ANSI Z87
- ◆ Manguera de jardín

Después de desempacar la unidad, inspecciónela detenidamente para detectar cualquier daño que pueda haber ocurrido durante su traslado. Verifique que no haya piezas sueltas, faltantes ni dañadas. Cerciórese de apretar todas las conexiones, pernos, etc. antes de usar la lavadora a presión. Asegúrese de que todos los accesorios proporcionados vengan con la unidad. Si falta alguna de las piezas, **NO DEVUELVA LA UNIDAD AL VENDEDOR**. Busque el número de modelo de la unidad (ubicado en la etiqueta del número de serie en la estructura de la lavadora a presión) y llame 1-800-330-0712 para obtener piezas de repuesto.

**⚠ ADVERTENCIA** *No haga funcionar la unidad si se ha dañado durante el transporte, el manejo o el uso. Los daños podrían ocasionar una explosión y ocasionarle lesiones o daños a la propiedad.*

**Lea y Siga Todas Las Instrucciones**  
**Guarde estas instrucciones**  
**No las deseche**

## Glosario

Familiarícese con estos términos antes de poner la unidad en funcionamiento.

**CAVITACIÓN** - el impacto de miles de burbujas que colapsan rápidamente dentro de la bomba, corroyendo las superficies de metal y sellos. La cavitación es causada por la falta de agua en la entrada de la bomba.

**INYECTOR DE PRODUCTOS QUÍMICOS** - un inyector de productos químicos permite que se inyecten productos químicos o jabón en el flujo de agua, haciendo que la limpieza sea más rápida y simple que usando agua sola.

**SISTEMA DE INYECCIÓN DE DETERGENTE** - los detergentes de limpieza se introducen en la corriente de agua haciendo la limpieza más efectiva al permitir que los detergentes saturen las superficies sucias.

**GPM (GALONES POR MINUTO)** - más agua por minuto puede significar una limpieza más rápida, especialmente al lavar para quitar materiales como barro y asfalto.

**SALIDA DE ALTA PRESIÓN** - una conexión para manguera de alta presión.

**CP (CABALLO DE POTENCIA)** - una unidad de medida para el trabajo.

**BOQUILLA (BOQUILLAS PULVERIZADORAS DE CONEXIÓN RÁPIDA)** - la boquilla es la restricción en el extremo de la varilla que crea la presión. Las boquillas tienen diferentes patrones de pulverización que pueden afectar el ancho y la potencia de la pulverización. La boquilla de 40° (blanca) produce una pulverización plana de aproximadamente 40°. También existen una boquilla de 25° (verde) y la más popular, de 15° (amarilla). La boquilla de 0° (roja) debe ser utilizada con precaución, ya que puede cortar madera y causar daños.

**NOTA:** La boquilla 0° (roja), la boquilla 25° (verde) y la boquilla 40° (blanca) no se proporcionan con esta unidad. Estas boquillas están disponibles para su compra, consulte la lista de piezas para saber el número de pieza y la información para realizar el pedido.

**BAR (PSI) (LIBRAS POR PULGADA CUADRADA)** - unidades de medida de presión. Determinan cuánta presión se aplica directamente sobre la superficie que se limpia. La presión proporcionada por la lavadora a presión es directamente responsable de separar los desechos y la superficie que se limpia.

**LIBERACIÓN TÉRMICA** - una técnica usada para reducir la acumulación de agua con altas temperaturas dentro de una bomba de una lavadora a presión causada cuando se cierra el gatillo de pulverización. Este sistema evita el daño interno de la bomba haciendo circular de forma cíclica agua a través de la bomba cuando el agua alcanza una temperatura máxima. El agua caliente se descargará de la bomba al suelo.

**VÁLVULA DE DESCARGA** - un dispositivo usado para liberar la presión del agua dentro de la bomba cuando el flujo de pulverización está obstruido. Permite al motor continuar encendido cuando el operador suelta el gatillo de la pistola pulverizadora y deja de lavar. Desvía la presión, la cual se acumularía sin la válvula de descarga, llevando el agua desde el lado de salida de la bomba y la devuelve haciendo un bucle al lado de la entrada en un modo continuo de "derivación". La válvula de descarga devolverá el flujo del agua a la pistola pulverizadora cuando el operador presione el gatillo.

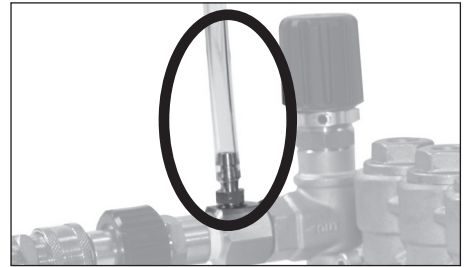


Figura 3 – Inyector de productos químicos

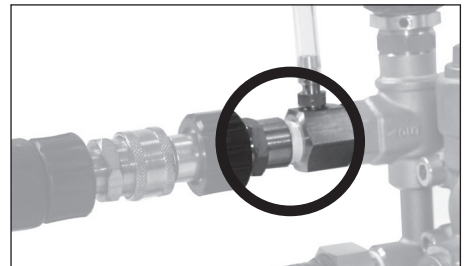


Figura 4 – Salida de alta presión



Figura 5 – Boquilla o boquillas de pulverización de conexión rápida

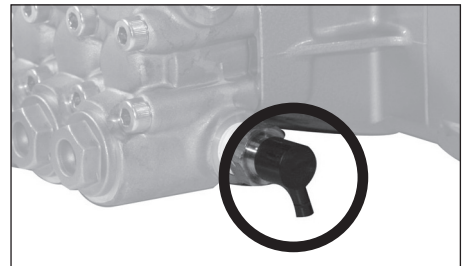


Figura 6 – Válvula de liberación térmica

Conozca su Lavadora a Presión

USOS RECOMENDADOS PARA ESTA LAVADORA A PRESIÓN

- ◆ Patio
- ◆ Terraza
- ◆ Revestimientos exteriores
- ◆ Ladrillos
- ◆ Hormigón
- ◆ Asfalto
- ◆ Metal
- ◆ Madera
- ◆ Vehículos
- ◆ Garajes/Talleres
- ◆ Exteriores de casas
- ◆ Exteriores de edificios

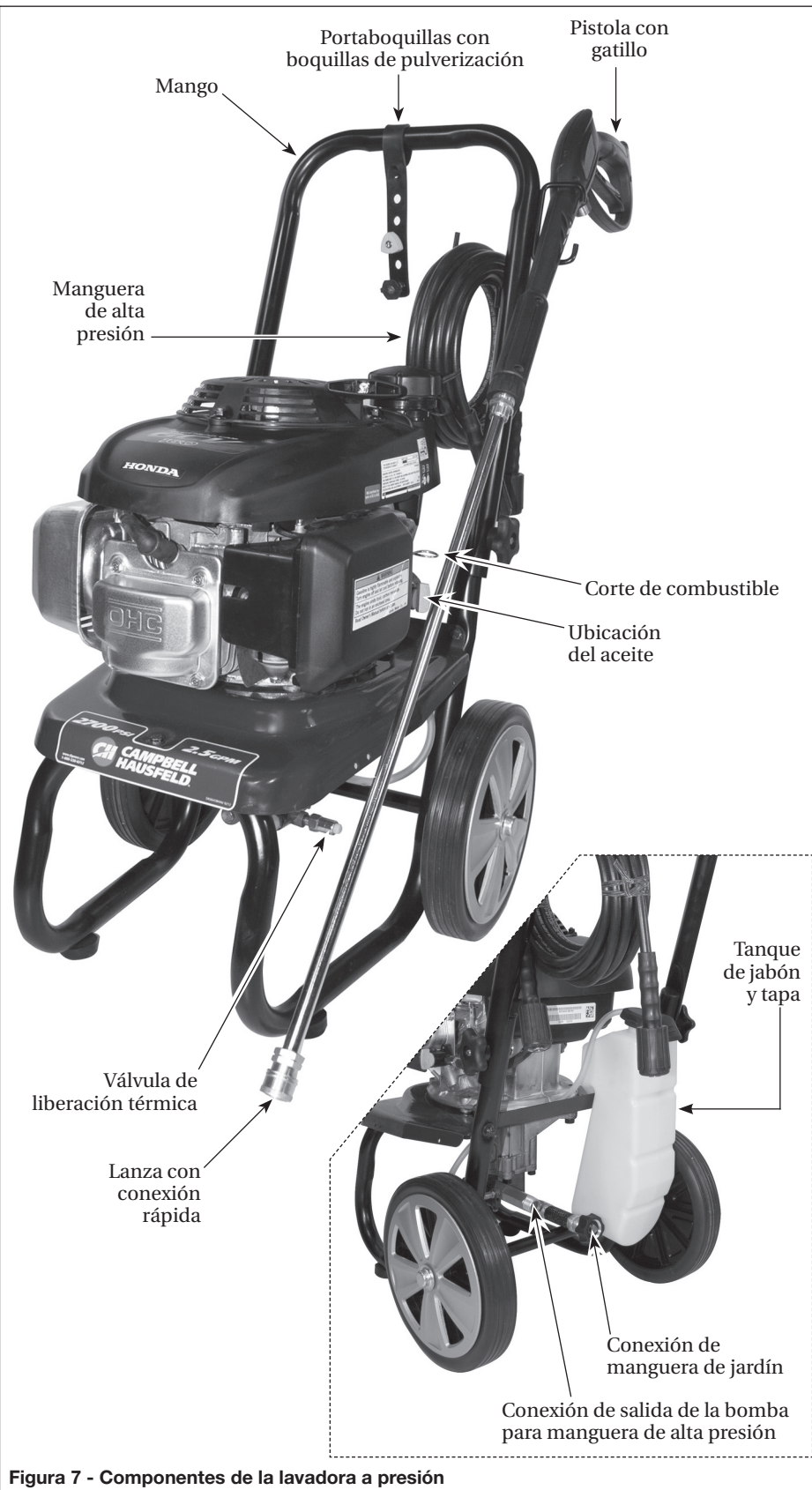


Figura 7 - Componentes de la lavadora a presión

## Ensamblaje y Antes del Funcionamiento

### ENSAMBLAJE

1. Deslice el ensamblaje del mango sobre las patas inferiores de la base del carro. Utilice la tuerca y el perno estándar para asegurar la pata trasera derecha (Ver Figura 8).
2. Asegure la manguera de jardín (no se incluye) a la conexión de la manguera de jardín de la bomba (Ver Figura 9).
3. Conecte la manguera de alta presión a la salida de la bomba (vea las Figuras 9 y 10).
5. Conecte la lanza con la boquilla a la pistola (vea la Figura 11).

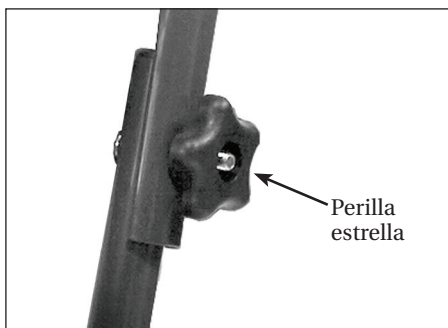


Figura 8 - Ensamblaje del mango

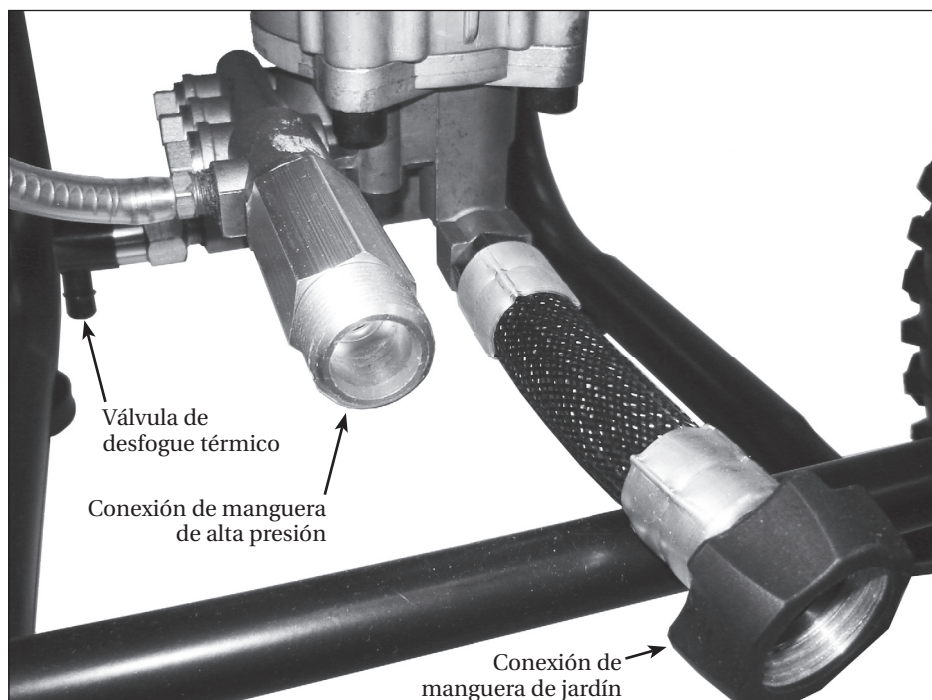


Figura 9 - Conexión de la bomba

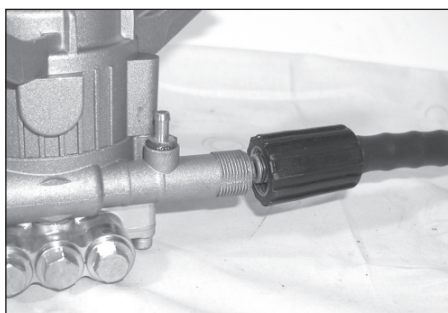


Figura 10 - Conecte la manguera de alta presión a la bomba

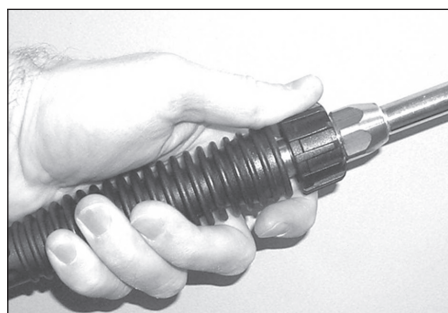


Figura 11 - Conecte la lanza a la pistola



## Ensamblaje y Antes del Funcionamiento (Continuación)

6. Instale la boquilla de conexión rápida halando hacia atrás el anillo retráctil y presione la boquilla hacia adentro. Suelte el anillo, asegúrese de que vuelva por completo a su posición hacia adelante y que la boquilla quede firmemente insertada (vea la Figura 12).
7. Instale las boquillas de conexión rápida en el soporte para boquillas y sujételo al mango de la lavadora a presión (vea la Figura 13).

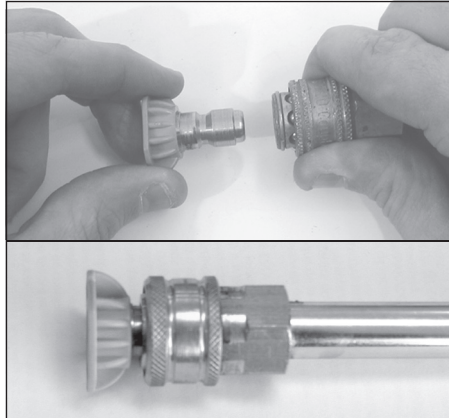


Figura 12 - Instalación de la boquilla de conexión rápida

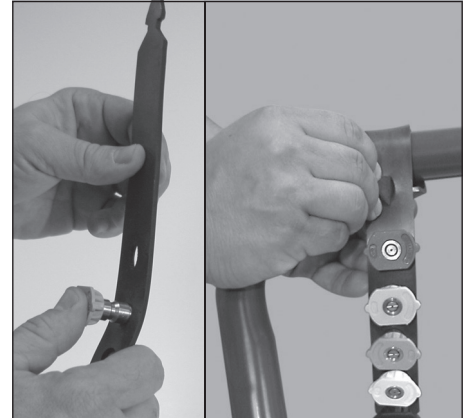


Figura 13 - Inserte las boquillas de pulverización en el soporte de caucho

### SEGURO DEL GATILLO

En la posición de trabado, el seguro evita que la pistola se dispare accidentalmente. Presione el seguro totalmente hacia abajo para destrabarlo (Ver Figura 14 y 15). Siempre trabe el seguro del gatillo cuando la unidad no se está usando.

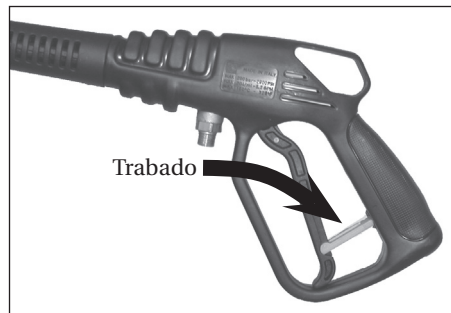


Figura 14 - Gatillo trabado

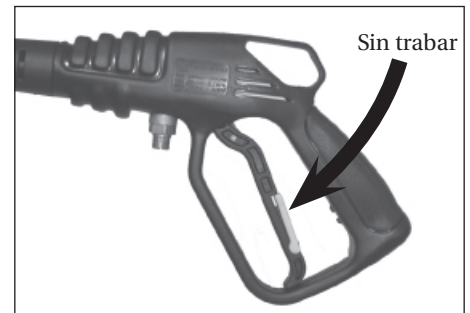


Figura 15 - Gatillo sin trabar

## Funcionamiento

### PREPARACIÓN DE SUPERFICIE

El siguiente procedimiento de limpieza le ayudará a organizar su tarea de limpieza y asegura que logrará el mejor resultado en la menor cantidad de tiempo. Recuerde usar las técnicas de rociado / limpieza que se mencionan en las secciones siguientes.

Antes de comenzar un trabajo de limpieza de lavado a presión, prepare la superficie que pretende limpiar. Despeje el mobiliario del área y asegúrese de que todas las ventanas y puertas estén bien cerradas. Además proteja todas las plantas y árboles próximos al área de limpieza cubriéndolos con una tela. Al cubrirlos se asegura que sus plantas no sean rociadas con los detergentes.

### ENCENDIDO

SIEMPRE use este procedimiento de encendido para asegurar que la unidad arranque apropiadamente y sin peligros.

#### AVISO

*Si el agua se ha congelado dentro de la lavadora a presión, descongele la lavadora en una habitación tibia antes de arrancar. NO vierta agua caliente sobre o dentro de la bomba; eso daña las partes al interior.*

1. Verifique los niveles de aceite del motor. Agregue aceite si es necesario.
2. Revise el nivel de combustible. Añada gasolina sin plomo (de 86 octanos o más) si es necesario.

#### ⚠️ AVERTISSEMENT

*NO llene el tanque de combustible con el motor caliente. Añadir combustible con el motor caliente puede causar un incendio. Use sólo gasolina regular o sin plomo, limpia y reciente. Mientras añade combustible, cierre la válvula de cierre del combustible.*

3. Conecte una manguera de jardín a la entrada de la bomba, y conéctela al suministro de agua. Use una manguera con diámetro interno (I.D.) de 15,9 mm (5/8 inch) y 15 m (50 pies) o menos de largo.



## Funcionamiento (Continuación)

### AVISO

*Algunos códigos de plomería locales exigen una prevención del retroceso del flujo cuando se haga una conexión al suministro de agua.*

*Instale un dispositivo que impida el retroceso del flujo antes de la bomba si fuera necesario.*

- Si la presión de agua en entrada supera las 100 psi, instale una válvula de regulación de agua en la conexión de la manguera de jardín.
- La temperatura del agua en entrada no debe exceder los 100°F (38°C).

**NOTA:** El suministro de agua de entrada debe tener una velocidad mínima de flujo de 19 lpm (5 gpm).

- ABRA el suministro de agua.

### AVISO

*No haga funcionar nunca la unidad en seco. Asegúrese de que el suministro de agua esté completamente abierto antes de hacer funcionar la unidad.*

- Hale el gatillo de la pistola hasta que pulverice el agua de la boquilla indicando que todo el aire ha sido purgado del sistema. Trabe el seguro del gatillo.
- Abra la válvula del combustible girando la perilla en sentido antihorario hasta que llegue al tope. Cierre la toma de aire (si el motor está frío) moviendo el anillo de la toma de aire totalmente a la derecha. Coloque el interruptor de encendido en la posición "ON" (encendido).
- Arranque el motor. Destrahe el seguro del gatillo de la pistola (Vea Figura 15). Agarre el cordón de arranque y coloque un pie en el chasis. Apunte la pistola en una dirección segura. Mientras oprime el gatillo de la pistola, tire del cordón de arranque rápida y firmemente (Vea Figura 16). Siga agarrando el cordón mientras lo devuelve. Repita estos pasos hasta que el motor arranque.

### PRECAUCION

*Cuando hale del cordón de arranque, asegúrese de que su mano y brazo no queden enredados con el motor o los componentes del carro.*

### AVISO

*No deje nunca que el condón de arranque se devuelva solo. El hacerlo así puede trabar el sistema de retroceso.*

- Si el motor no arranca después de dos o tres jalones, o si el cordón es muy duro para halar, presione el gatillo de la pistola para aliviar la presión que se haya acumulado en la manguera de presión. Repita los pasos 7 y 8 hasta que el motor arranque.

### ENJUAGUE INICIAL DE ALTA PRESIÓN

Rocíe la superficie a limpiar con agua para quitar la suciedad o las manchas que puedan haberse acumulado sobre la superficie. Hacer esto permite que el detergente ataque la suciedad profunda que se ha introducido dentro de la superficie a limpiar.

### Ajuste del Ángulo del Abanico de Rociado

Hay disponibles cinco boquillas de conexión rápida para esta lavadora a presión. Las boquillas tienen un rango de ángulos del abanico de rociado que va de 0°, angosto para gran impacto, a 65° para un abanico ancho.

La presión puede ajustarse también acercándose o alejándose de la superficie a limpiar y cambiando el ángulo del abanico de rociado como se muestra.

### Ángulo con Respecto a la Superficie a Limpiar

Cuando pulverice agua contra una superficie, puede generar el mayor impacto golpeando derecho sobre la superficie. Sin embargo, este tipo de impacto puede causar que las partículas de suciedad queden incrustadas en la superficie previniendo la acción limpiadora deseada.

El ángulo mejor para pulverizar agua contra una superficie de limpieza es de 45 grados. Pulverice agua contra una superficie a 45 grados para lograr la fuerza de impacto más eficiente y quitar la suciedad eficazmente (vea Figura 19).

### Distancia de la Superficie a Limpiar

La distancia entra la superficie y la boquilla de pulverización es otro factor que afecta la fuerza de impacto del agua. La fuerza de impacto del agua aumenta al acercar la boquilla a la superficie.



Figura 16 - Encienda el motor

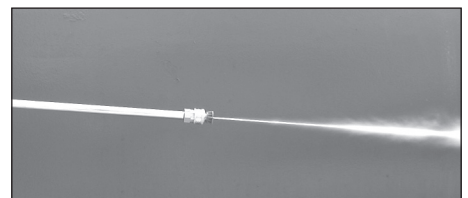


Figura 17 - Chorro angosto de alto impacto

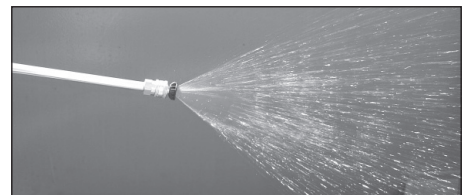


Figura 18 - Patrón de abanico amplio



Figura 19 - Angle optimum par rapport à la surface à nettoyer

## Funcionamiento (Continuación)

El color de la punta muestra cuál ángulo de rociado es:

**Rojo** – 0° – Máximo trabajo pesado\*

**Amarillo** – 15° – Trabajo pesado

**Verde** – 25° – Trabajo general\*

**Blanco** – 40° – Trabajo liviano\*

**Negro** – 65° – Detergente a baja presión

**NOTA:** Utiliza orificio tamaño 2.5

\* = No se incluyen en esta unidad

### Cómo Evitar daños a la Superficie

El daño a las superficies de limpieza ocurre porque la fuerza de impacto del agua supera la durabilidad de la superficie. Puede variar la fuerza de impacto variando el ángulo de la boquilla de pulverización con la superficie de limpieza, la distancia de la superficie, y cambiando la boquilla. NUNCA utilice un chorro angosto de alto impacto sobre una superficie propensa a ser dañada. Evite rociar las ventanas con un chorro angosto de alto impacto. Hacer esto puede quebrar la ventana. La forma más segura de evitar dañar las superficies es seguir estos pasos:

1. Antes de halar el gatillo de la pistola, asegúrese de que la boquilla que está usando es apropiada para el uso.
2. Coloque la boquilla aproximadamente a 4-5 pies (1,22 – 1,52 m) de distancia de la superficie de limpieza. Luego sostenga la boquilla en un ángulo de 45 grados con respecto a la superficie de limpieza. Hale el gatillo.
3. Varíe el ángulo de rociado del patrón en abanico y la distancia a la superficie de limpieza hasta lograr una óptima eficiencia de limpieza sin dañar la superficie.

### APLICACIÓN DE DETERGENTE

**NOTA:** Use sólo detergentes formulados para lavadora a presión. Pruebe el detergente en un área poco aparente antes de usarlo. No use blanqueador con esta unidad de lavadora a presión.

### Detergentes

El uso de detergentes puede reducir en gran forma el tiempo de limpieza y puede ayudar a quitar las manchas difíciles. Muchos detergentes están diseñados para ser usados con lavadoras a presión en tareas de limpieza específicas. Los detergentes para lavadoras a presión son igual de espesos que el agua. Si se utilizan detergentes más espesos, como por ejemplo detergentes para lavar vajilla, obstruirán el sistema de inyección de productos químicos y evitarán la aplicación de detergentes.

Una vez aplicados a la superficie a limpiar, los detergentes toman un tiempo para ejercer una acción sobre la suciedad y las manchas. Los detergentes funcionan mejor cuando se aplican a baja presión.

Usted puede limpiar superficies de un modo efectivo combinando la acción química de los detergentes junto con los enjuagues de alta presión. Sobre superficies verticales, aplique el detergente de abajo hacia arriba. Este método evita que el detergente se deslice y provoque marcas. Comience el enjuague con alta presión de abajo hacia arriba. En manchas particularmente difíciles, utilice un cepillo en combinación con los detergentes y el enjuague a alta presión.

1. Siga las indicaciones del fabricante que aparecen en la etiqueta para utilizar las proporciones de mezcla correctas de los jabones/detergentes. La proporción de jabón/detergente con respecto al agua para la bomba es de aproximadamente 10% (1 a 10).
2. Introduzca el extremo del filtro del tubo de detergente de plástico transparente dentro del recipiente de detergente.
3. Use la boquilla de conexión rápida negra de 65°.

### Consejos generales de limpieza

1. Aplique el detergente para que cubra totalmente la superficie a limpiar. Aplique el detergente de abajo hacia arriba para evitar que éste se deslice hacia abajo y deje marcas. Espere un par de minutos para que el detergente actúe sobre la suciedad y las manchas. Utilice un cepillo para cepillar levemente las áreas más sucias. Nunca permita que el detergente se seque sobre la superficie a limpiar.
2. Para enjuagar: cambie la boquilla de pulverización negra de 65° por una boquilla de otro color.

**⚠ ADVERTENCIA** *Nunca reemplace la boquilla de conexión rápida cuando el gatillo de la pistola esté presionado. Siempre coloque el pasador del gatillo en la pistola antes de quitar o instalar boquillas de conexión rápida.*

3. Después de usar detergentes, enjuague el sistema de succión colocando el tubo de succión de detergente dentro de un cubo de agua limpia y pulverice con la boquilla pulverizadora negra.

### PODER DE LIMPIEZA

La forma más fácil de regular el poder de limpieza de su lavadora a presión es cambiando la distancia a la superficie que está limpiando. Comience a rociar con un patrón de abanico amplio mientras se para a varios pies de la superficie. Acérquese lentamente al objeto que está limpiando, mientras ajusta el patrón de rociado según sea necesario, hasta que encuentre la técnica de limpieza más eficaz.



Figure 20 - Tanque de jabón (detergente)

Quite la tapa para agregar el detergente

## Funcionamiento (Continuación)

### ENJUAGUE FINAL

El enjuague final debe comenzar de abajo hacia arriba. Asegúrese de enjuagar totalmente la superficie y de quitar todo el detergente.

### PROCEDIMIENTO DE LIBERACIÓN DE PRESIÓN

Para reducir el riesgo de lesiones corporales o daño a la propiedad, siempre siga este procedimiento cuando detiene el rociado, cuando finaliza el trabajo y antes de revisar o reparar cualquier parte del sistema.

1. Coloque el seguro del gatillo.
2. Apague la unidad.
3. Cierre el suministro de agua.
4. Suelte el seguro del gatillo y apriete el gatillo de la pistola para liberar la presión.
5. Vuelva a colocar el seguro del gatillo.
6. Cuando verifique o repare la unidad, quite el cable de encendido de la bujía.
7. Antes de guardar la unidad de un día para el otro, durante un largo tiempo o para transportarla, desconecte el suministro de agua.

### APAGADO

1. Asegúrese de enjuagar todo el detergente del sistema.
2. Apague el motor.
3. Cierre el suministro de agua.
4. Después de apagar el motor y cerrar el suministro de agua, apriete el gatillo para quitar la presión del sistema.

#### AVISO

**NUNCA cierre el suministro de agua antes de apagar el motor. Pueden ocurrir daños graves a la bomba y/o al motor.**

#### PRECAUCIÓN

**NUNCA desconecte la manguera de descarga de alta presión desde la máquina mientras el sistema está presurizado. Para despresurizar apague el motor, cierre el suministro de agua y presione el gatillo 2-3 veces.**

5. Después de cada uso, limpie todas las superficies con un paño húmedo y limpio.

### ALMACENAMIENTO

- Nunca vaya a guardar la lavadora a presión a la intemperie.
- No guarde la lavadora a presión en un lugar en el que pueda congelarse, a menos que haya sido preparada adecuadamente para el invierno.

### Instrucciones para el Almacenamiento a Largo Plazo (Más de 30 Días)

1. Retire el detergente del tanque y haga funcionar la lavadora en modo normal hasta que el motor pare por falta de combustible. El modo de funcionamiento normal significa pulverizar agua de la pistola mientras el motor está funcionando.  
Método alternativo – Añada un estabilizador de combustible a la gasolina en el tanque y haga funcionar el motor in modo normal por no menos de cinco minutos.
2. Apague el motor, cierre el suministro de agua y hale el gatillo para aliviar la presión en la manguera de alta presión.

3. Desconecte el suministro de agua y la manguera de alta presión de la bomba.
4. Deje que el motor se enfríe.
5. Desconecte el cable de la bujía y quite la bujía.
6. Vierta 1/2 oz. de aceite de motor en el orificio de la bujía.

#### ADVERTENCIA

**Nunca hale del cordón de arranque después de haber quitado la bujía a menos de que haya cubierto el orificio de la bujía. La chispa puede encender el vapor del combustible.**

7. Coloque un trapo sobre el orificio de la bujía y hale lentamente y varias veces del cordón de arranque para distribuir el aceite.

### INSTRUCCIONES PARA LA PREPARACIÓN INVERNAL

1. Siga y complete las Instrucciones para el almacenamiento a largo plazo de arriba.
2. Desconecte el cable de la bujía.
3. Desconecte la manguera de alta presión de la bomba.
4. Inserte un tramo de manguera de alta presión de 30 a 35 cm (12 in. -14 in.) en el orificio de entrada de la bomba.
5. Coloque un embudo en el otro extremo de la manguera de jardín.

#### AVISO

**Lea las instrucciones del fabricante para el manejo sin peligros del anticongelante RV.**

6. Vierta aproximadamente 6 oz. de anticongelante RV en el embudo.
7. Hale del cordón de arranque varias veces hasta que el anticongelante RV salga del orificio de salida de la bomba.
8. Desconecte la manguera de alta presión de la pistola y drene la manguera. Sostenga la pistola y la lanza en posición vertical y hale el gatillo para drenar el agua.

### SUGERENCIAS PARA EXTENDER LA VIDA ÚTIL DE SU LAVADORA A PRESIÓN

1. Nunca haga funcionar la unidad sin agua.
2. Su lavadora a presión no está diseñada para bombear agua caliente. Nunca la conecte a un suministro de agua caliente ya que reducirá en forma significativa la vida útil de la bomba.
3. Hacer funcionar la unidad por más de un minuto sin rociar el agua causa un recalentamiento de la bomba. Hacer funcionar la unidad sin rociar el agua puede dañar los componentes de la bomba.



## Mantenimiento

Observe los intervalos regulares del mantenimiento para asegurar la máxima eficiencia y vida útil de la lavadora a presión. Refiérase al programa para el mantenimiento recomendado. Si hace funcionar la lavadora a presión en un ambiente muy polvoroso, haga los controles del mantenimiento con más frecuencia.

### INSTRUCCIONES PARA EL CAMBIO DE ACEITE DEL MOTOR

Drene el aceite del motor cuando el motor esté tibio. El aceite tibio se drena rápida y completamente.

1. Coloque la válvula de gasolina en la posición "OFF" (apagado) para reducir la posibilidad de fuga de combustible.
2. Coloque un recipiente adecuado junto al motor para recoger el aceite usado.
3. Quite el tapón de llenado de aceite/varilla de medición y drene el aceite hacia el recipiente inclinando el motor hacia el cuello de llenado de aceite.

Deseche el aceite de motor usado de una forma que sea compatible con el medio ambiente. Le sugerimos que lleve el aceite usado en un recipiente cerrado a su centro local de reciclaje o estación de servicio para recuperación. No lo tire a la basura, no lo vierta en la tierra ni en el desagüe.

4. Con el motor en posición nivelada, llene hasta la marca de límite superior en la varilla de medición con el aceite recomendado.

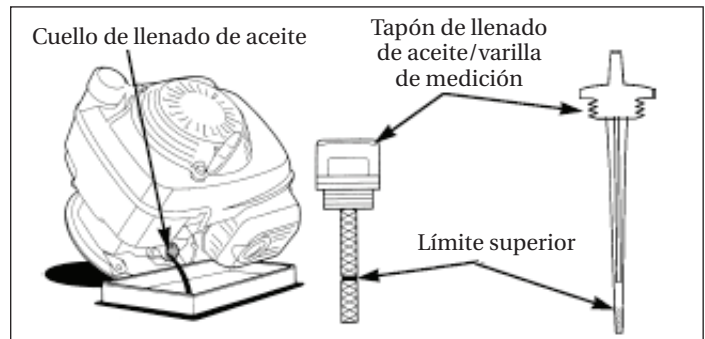


Figura 21 - Puntos de drenaje y llenado de aceite

#### AVISO

*Encender el motor con un bajo nivel de aceite puede causar daño al motor.*

5. Vuelva a instalar el tapón de llenado de aceite/varilla de medición de forma segura.

### INSTRUCCIONES PARA EL CAMBIO DE ACEITE DE LA BOMBA

Para cambiar o rellenar el aceite de la bomba, es necesario separar la bomba del motor y no debe hacerse a menos de que se hayan presentado pérdidas de aceite debidas a desgaste o daño de los sellos de aceite en la bomba. Si la bomba ha presentado pérdidas de aceite, lleve la lavadora a un centro de servicio certificado de Campbell Hausfeld para que sea reparada.

## PLANIFICACIÓN DEL MANTENIMIENTO

Planificación del mantenimiento	Acción necesaria
A diario	<ul style="list-style-type: none"> <li>• Verificar el filtro y la rejilla de la entrada de agua.</li> <li>• Verificar los niveles de aceite del motor. Llenar según sea necesario.</li> <li>• Verificar el nivel de gasolina. Llenar según sea necesario.</li> </ul>
Después de las primeras 5 horas de funcionamiento	<ul style="list-style-type: none"> <li>• Cambiar el aceite de ablande del motor. Use aceite detergente 10W-30. Vea su manual de usuario Honda para la información específica</li> </ul>
Cada 25 horas de funcionamiento	<ul style="list-style-type: none"> <li>• Cambiar el aceite si está funcionando con una carga pesada o a una temperatura ambiente elevada.</li> <li>• Limpiar o reemplazar el cartucho de papel del filtro de aire. Golpear suavemente para quitar la suciedad.</li> </ul>
Cada 50 horas de funcionamiento	<ul style="list-style-type: none"> <li>• Cambiar el aceite.</li> <li>• Reemplazar la bujía.</li> </ul>
Cada 100 horas de funcionamiento o cada 3 meses	<ul style="list-style-type: none"> <li>• Reemplazar el cartucho de papel del filtro de aire.</li> <li>• Cambiar el aceite del motor.</li> </ul>

## INFORMACIÓN TÉCNICA Y PARA EL CONSUMIDOR

Lavadoras a presión de orientación horizontal	
<b>Tipo de aceite para el motor</b>	SAE 10W-30 SAE 30W (Superior a 60° F/15,5° C)
<b>Capacidad del aceite para el motor</b>	Motores Honda 0,55 L (18.5 fl. oz.)
<b>Engine Fuel Capacity</b>	Motores Honda 1,10 L (0,29 gal)
<b>Tipo de aceite para la bomba</b>	Bombas oscilatorias Aceite para transmisión 80w90
<b>Capacidad del aceite para la bomba</b>	Bombas oscilatorias verticales 0,08 L (2.7 fl. oz.)
<b>Succión de detergente de la bomba</b>	Relación agua/detergente 8 a 1 (12% de detergente)
<b>Requisitos del suministro de agua</b>	Presión mínima en entrada 1,38 bar Presión máxima en entrada 6,90 bar Temperatura máxima en entrada 38°C (100°F) Caudal mínimo en entrada 19 L/min (5 gpm) Tamaño de la manguera de jardín en entrada D.I. 15,9 mm - 5/8 in. Largo máximo de la manguera de jardín en entrada 15,2 m (50 pies)

**Tabla de Identificación de Problemas**

<b>PROBLEMA</b>	<b>CAUSA</b>	<b>SOLUTION</b>
El motor no arranca o arranca con dificultad	<ol style="list-style-type: none"> <li>1. No hay gasolina en el tanque de combustible o en el carburador</li> <li>2. Bajo nivel de aceite</li> <li>3. Interruptor de arranque/apagado (Start/Stop) en posición de apagado</li> <li>4. Agua en la gasolina o combustible viejo</li> <li>5. Filtro de aire sucio</li> <li>6. Bujía sucia, luz de electrodos equivocada, o tipo equivocado</li> <li>7. Pistola de pulverización cerrada</li> <li>8. Otras causas</li> </ol>	<ol style="list-style-type: none"> <li>1. Llene el tanque de gasolina, abra la válvula de cierre del combustible. Revise la tubería del combustible y el carburador</li> <li>2. Verifique el nivel de aceite. Llene si fuese necesario</li> <li>3. Mueva el interruptor a la posición de arranque (start)</li> <li>4. Drene el tanque de combustible y el carburador. Use combustible nuevo y una bujía seca</li> <li>5. Quite y limpie o reemplace</li> <li>6. Limpie, ajuste la luz, o reemplace</li> <li>7. Hale el gatillo de la pistola</li> <li>8. Consulte el manual del propietario del motor.</li> </ol>
El motor pierde o no tiene fuerza	<ol style="list-style-type: none"> <li>1. Filtro de aire parcialmente atorado</li> <li>2. Bujía sucia, luz de electrodos equivocada o tipo equivocado</li> </ol>	<ol style="list-style-type: none"> <li>1. Quite y limpie o reemplace</li> <li>2. Limpie, ajuste la luz o reemplace</li> </ol>
La presión baja y/o la bomba funciona toscamente	<ol style="list-style-type: none"> <li>1. Punta desgastada o del tamaño equivocado</li> <li>2. Filtro de entrada o bomba obstruida</li> <li>3. Sellos de agua desgastados, abrasivos en el agua, o desgaste natural</li> <li>4. Válvulas de descarga o de entrada sucias</li> <li>5. Entrada restringida</li> <li>6. Válvulas de descarga o de entrada desgastadas</li> <li>7. Manguera de alta presión con pérdidas</li> <li>8. Bomba aspira aire</li> <li>9. Asiento de la válvula de descarga fallado o desgastado</li> </ol>	<ol style="list-style-type: none"> <li>1. Reemplácela con una punta del tamaño adecuado</li> <li>2. Límpiela. Verifique con más frecuencia</li> <li>3. Revise el filtro. Cambie los sellos de agua. Consulte el centro de servicio.</li> <li>4. Limpie los ensamblajes de las válvulas de entrada y descarga. Revise el filtro</li> <li>5. Revise la manguera de jardín, puede estar colapsada o plegada. Revise el flujo de entrada de agua</li> <li>6. Reemplace las válvulas desgastadas</li> <li>7. Reemplace la manguera de alta presión</li> <li>8. Asegúrese de que las mangueras y los accesorios estén ajustados</li> <li>9. Revíselo y reemplácelo</li> </ol>
Pérdida de agua debajo del distribuidor	Sellos de agua desgastados	Instale nuevos sellos de agua. Consulte el centro de servicio.
Agua en el cárter de la bomba (aceite lechoso)	<ol style="list-style-type: none"> <li>1. Aire húmedo se condensa dentro del cárter</li> <li>2. Sellos de aceite con pérdidas</li> </ol>	<ol style="list-style-type: none"> <li>1. Cambie el aceite como se especifica en el plan de mantenimiento</li> <li>2. Instale nuevos sellos de aceite. Consulte al centro de servicio.</li> </ol>
Fallas frecuentes o prematuras de los sellos de agua de la bomba	<ol style="list-style-type: none"> <li>1. Émbolos rayados, dañados o desgastados</li> <li>2. Material abrasivo en el fluido</li> <li>3. Temperatura del agua de entrada demasiado alta</li> <li>4. La bomba presuriza demasiado</li> <li>5. Presión excesiva debido a una punta dañada o parcialmente obstruida</li> <li>6. La bomba funciona demasiado sin rociar</li> <li>7. La bomba funciona sin agua</li> </ol>	<ol style="list-style-type: none"> <li>1. Instale émbolos nuevos. Consulte al centro de servicio.</li> <li>2. Instale un filtrado adecuado en la tubería de entrada de la bomba</li> <li>3. Verifique la temperatura del agua; no puede exceder los 38° C.</li> <li>4. No modifique ningún valor de fábrica.</li> <li>5. Limpie o reemplace la punta.</li> <li>6. Nunca haga funcionar la bomba durante más de 1 minuto sin rociar</li> <li>7. No haga funcionar la bomba sin agua</li> </ol>

*Continúa en la página siguiente*



## Tabla de Identificación de Problemas

PROBLEMA	CAUSA	SOLUCIÓN
Fuertes pulsaciones en la entrada y baja presión	Partículas extrañas en la válvula de entrada o de descarga o válvulas de entrada y/o de descarga desgastadas	Limpie o reemplace las válvulas. Consulte el centro de servicio.
Pérdidas de aceite entre el motor y la bomba	Anillo O y/o sellos de aceite desgastados	Consulte el centro de servicio.
Presión fluctuante	<ol style="list-style-type: none"> <li>Válvula desgastada, sucia o trabada</li> <li>La bomba aspira aire</li> <li>Punta obstruida</li> </ol>	<ol style="list-style-type: none"> <li>Revise y reemplace</li> <li>Asegúrese de que las mangueras y los accesorios están ajustados. Purgue el aire de la manguera de jardín</li> <li>Revise o reemplace</li> </ol>
Disminuye la presión luego de un período de uso normal	<ol style="list-style-type: none"> <li>Sellos de agua de la bomba desgastados</li> <li>Boquilla desgastada</li> <li>Válvula desgastada, sucia o atorada</li> <li>Asiento de la válvula de descarga desgastado o sucio</li> <li>Boquilla en la posición de presión baja</li> </ol>	<ol style="list-style-type: none"> <li>Revise y reemplace</li> <li>Revise y reemplace</li> <li>Revise, limpie o reemplace</li> <li>Revise, limpie o reemplace</li> <li>Tire la boquilla hacia atrás a la posición de alta presión</li> </ol>
Bomba ruidosa / la bomba funciona toscamente	<ol style="list-style-type: none"> <li>Bomba aspira aire/bajo suministro de agua</li> <li>Válvulas sucias o desgastadas</li> <li>Juntas desgastadas</li> <li>Agua demasiado caliente</li> </ol>	<ol style="list-style-type: none"> <li>Asegúrese de que las juntas están ajustadas. Aumente la presión de agua</li> <li>Revise, limpie o reemplace</li> <li>Revise y reemplace</li> <li>Reduzca la temperatura por debajo de 38° C</li> </ol>
No succiona detergente	<ol style="list-style-type: none"> <li>La boquilla no se empujó hacia arriba lo suficiente</li> <li>Hay una obstrucción, pliegue o perforación en la manguera de succión de detergente</li> <li>La manguera es demasiado larga</li> <li>La lanza no está funcionando adecuadamente</li> </ol>	<ol style="list-style-type: none"> <li>Empuje la boquilla hasta el tope.</li> <li>Si está limpia, elimine los pliegues o cambie la manguera.</li> <li>Utilice únicamente el largo de manguera que se proporcionó con la compra inicial de la lavadora a presión. La succión del detergente no funciona si se conecta más de una sección de manguera a la unidad.</li> <li>Quite la lanza de la pistola. Si se pasa detergente a través de la pistola, la lanza se debe reemplazar. Si no pasa detergente a través de la pistola, quite 1 pulg. del conector de detergente ahusado de la bomba. Limpie el conector, y asegúrese de que la bola y el resorte estén alineados adecuadamente con la porción ahusada del resorte que está frente a la bola. La bola debe estar encima del resorte.</li> </ol>

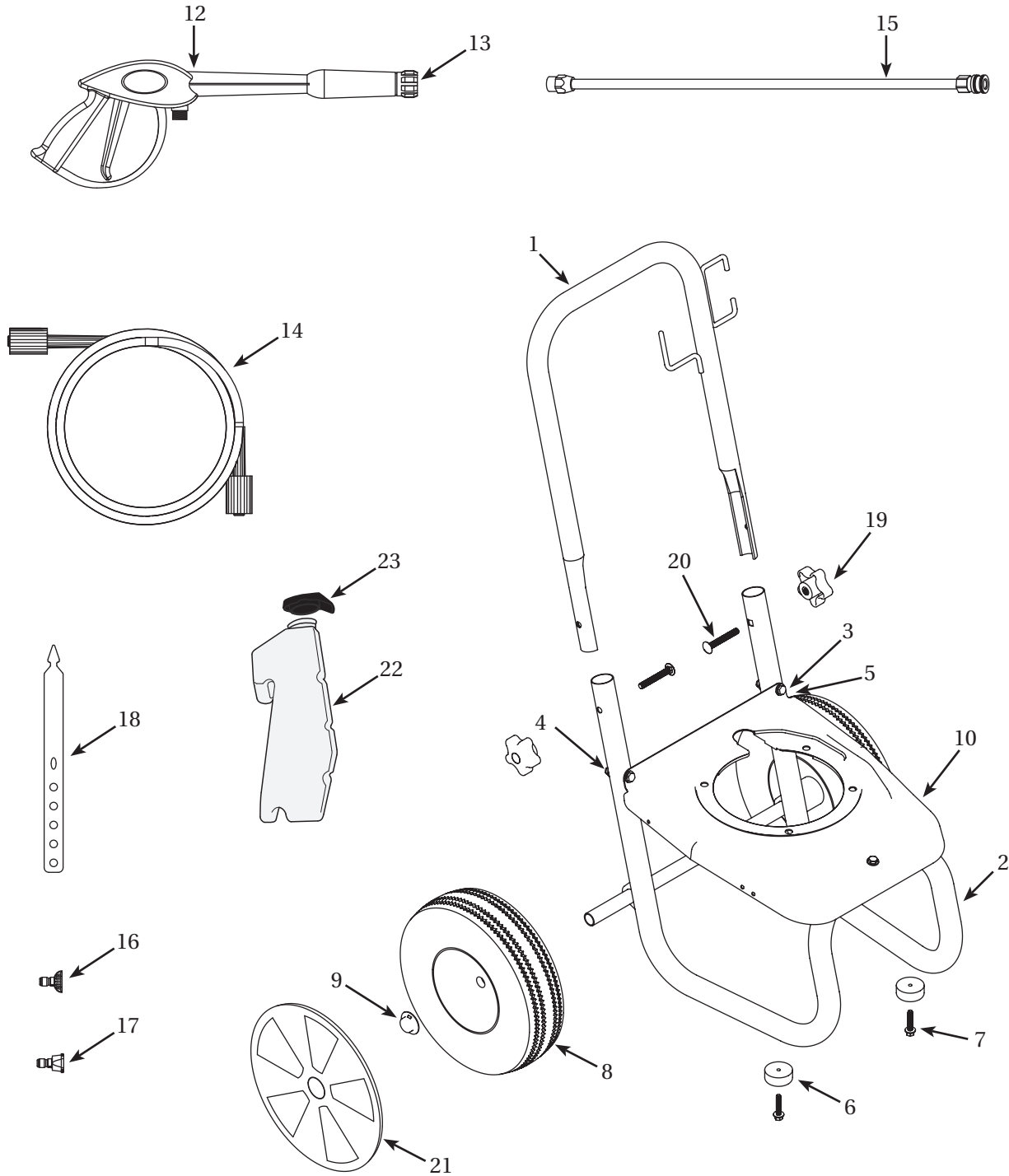
**Para Ordenar Repuestos o Asistencia Técnica, Sírvase Llamar al Distribuidor Más Cercano a Su Domicilio**

*Sírvase proporcionar la siguiente información:*

- Número de modelo
- Número de serie (si tiene)
- Descripción y número de la pieza como se muestra en la lista de repuestos

*Dirija toda la correspondencia a:*

Campbell Hausfeld  
Attn: Customer Service  
100 Mundy Memorial Drive  
Mt. Juliet, TN 37122 U.S.A.



**Figura 22 – Ilustración de las piezas de repuesto**

## Lista de Piezas de Repuesto

No. de Ref.	Descripción	Número del repuesto	Ctd.
1	Mango	PM344057KK	1
2	Marco	PM344766KK	2
3	Arandela plana	PM002000AV, *	6
4	Tuerca de seguridad de nylon de 6,4 mm (1/4 inch) - 20	ST073808AV, *	3
5	Perno de 6,4 mm (1/4 inch) - 20 (base)	PM001902AV, *	3
6	Defensa de caucho	AL062300AV	2
7	Tornillo autorrosc. 6,4 mm (1/4 inch) -20 x 19,1 mm (3/4 inch)	MJ102100AV, *	2
8	Rueda	WA120102AV	2
9	Tuerca de presión (2)	PM344775SJ	2
10	Placa de base	PM344725BR	1
11	Tubo de detergente (no se muestra)	PM013800AV	1
12	Pistola	PM005140AV	1
13	Anillo en O (pistola) (no se muestra)	PM245800SV	1
14	Manguera	PM005015AV	1
15	Lanza	PM035120AV	1
16	Consejo, 15° (Amarillo)	PM039696AV	1
17	Consejo, 65° (Negro)	PM039820AV	1
18	Soporte, boquilla de conexión rápida (QC)	PM344304AV	1
19	Perilla estrella (2 unidades)	PM344773SJ	2
20	Perno de carro (2 unidades)	PM344774SJ	2
21	Cubierta de la Rueda	AL120102AV	2
22	Tanque de jabón	PM351400AV	1
23	Tapa del tanque de jabón	PM351405AV	1
<b>Accesorios para boquillas disponibles para PW2575 (no incluidos con la unidad)</b>			
	Consejo, 0° (Rojo)	PM039695AV	
	Consejo, 25° (Verde)	PM039697AV	
	Consejo, 40° (Blanco)	PM039698AV	
*	Artículo estándar de ferretería		
★	Para mantenimiento del motor o repuestos, llame a Honda al 1-800-426-7701		

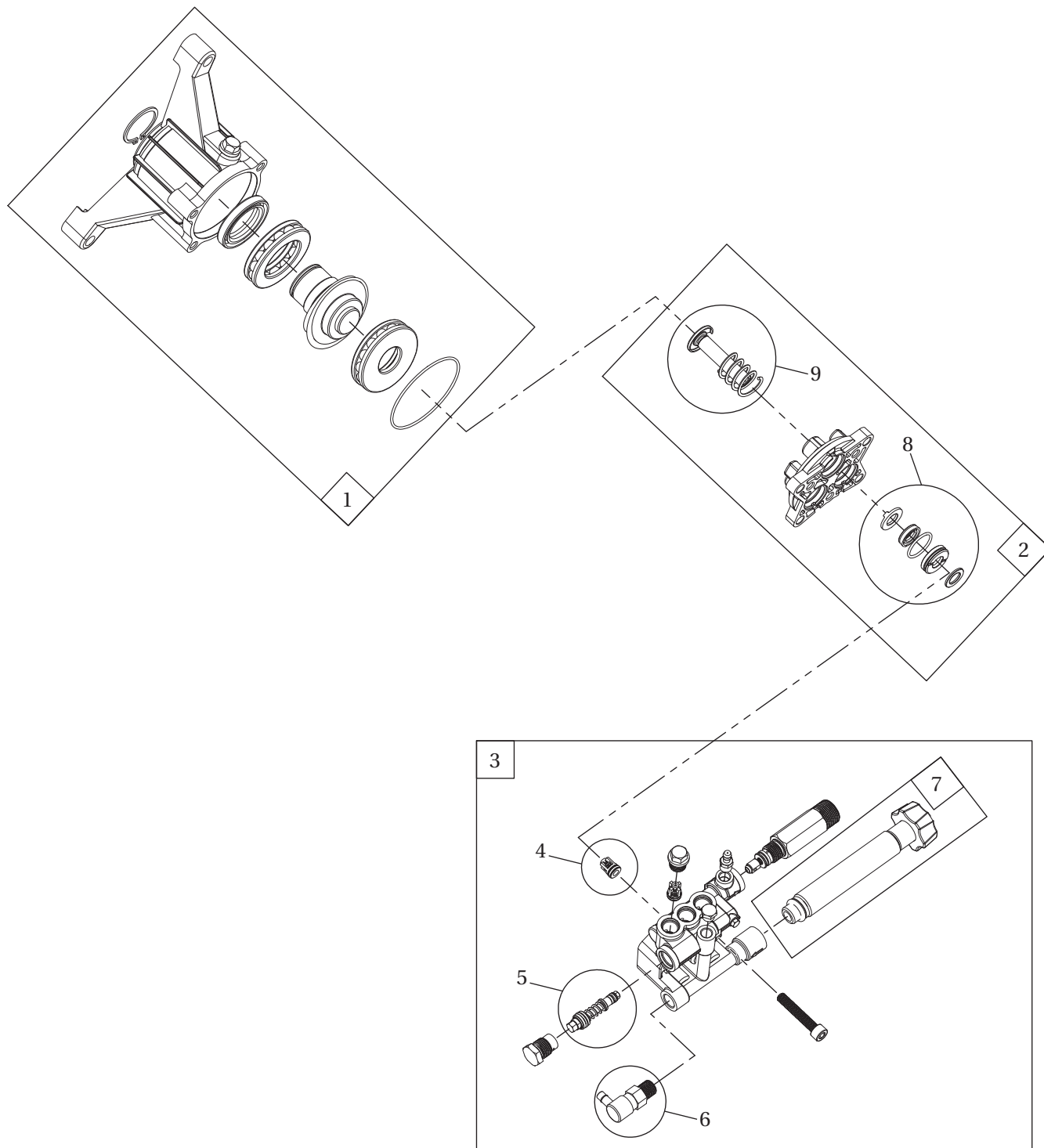
**Para Ordenar Repuestos o Asistencia Técnica, Sírvese Llamar al Distribuidor Más Cercano a Su Domicilio**

*Sírvese proporcionar la siguiente información:*

- Número de modelo
- Número de serie (si tiene)
- Descripción y número de la pieza como se muestra en la lista de repuestos

*Dirija toda la correspondencia a:*

Campbell Hausfeld  
Attn: Customer Service  
100 Mundy Memorial Drive  
Mt. Juliet, TN 37122 U.S.A.



**Figura 23 – Ilustración de las piezas de repuesto**

## Lista de Piezas de Repuesto

No. de Ref.	Descripción	Número del repuesto	Ctd.
1 ▲	Ensamble del tanque inferior	PM351305SV	1
2 ▲	Ensamble del bloque de la bomba	PM351310SV	1
3 ▲	Ensamble del cabezal de la bomba	PM351315SV	1
4	Juego de válvulas (contiene 6 válvulas)	PM351331SV	1
5	Válvula de descarga	PM351332SV	1
6	Válvula de liberación térmica	PM351325SV	1
7	Ensamble de la manguera de entrada	PM351320SV	1
8	Juego del sello de agua	PM351330SV	1
9	Juego de pistones (juego de 3)	PM351333SV	1
▲	Ensamblaje de bomba	PM351300SJ	

Especificaciones de Torques (kg-cm)	
Descripción	Torsión
Válvula de desfogue térmico	110
Torsión de las muescas para manguera	100
Perno de la culata	110
Capacidad de aceite: 0,08 L	
Tipo de aceite: Aceite para transmisión 80w90	



**Recordatorio:** ¡Guarde su comprobante de compra con fecha para fines de la garantía! Adjúntela a este manual o archívela en lugar seguro.

---

## Garantía Limitada

1. Duracion: De la fecha de compra por el comprador original y de acuerdo a las siguientes clasificaciones: Un (1) año la unidad lavadora a presión, un (1) año la bomba y el motor, y 90 días para los artículos con desgaste normal.
2. QUIEN otorga DA ÉSTA GARANTÍA (EL GARANTE): Campbell Hausfeld / Scott Fetzer Company, 100 Mundy Memorial Drive, Harrison, OH 45030, Teléfono: (800) 330-0712.
3. QUIEN RECIBE ÉSTA GARANTÍA (EL COMPRADOR): El comprador original (que no sea revendedor) de la Lavadora de Presión Campbell Hausfeld.
4. PRODUCTOS CUBIERTOS POR ESTA GARANTÍA: Esta lavadora de presión Campbell Hausfeld fabricada o distribuida por el garante.
5. LO QUÉ ÉSTA CUBIERTO POR ESTA GARANTÍA: Los defectos de material y/o de manufactura que ocurran dentro del periodo de garantía con las excepciones anotadas abajo.
6. LO QUÉ NO ÉSTA CUBIERTO POR ESTA GARANTÍA:
  - A. Las garantías implícitas, incluyendo las garantías de comercialización y adecuación para un fin particular, son limitadas a partir de la fecha de compra como se indica en el parrafo DURACIÓN. Si ésta lavadora de presión es usada para trabajos comerciales, industriales o para renta, la garantía aplicada es de (90) días a partir de la fecha de compra. En algunos estados no se permiten limitaciones a la duración de las garantías, en tal caso esta limitacion no es aplicable.
  - B. CUALQUIER PERDIDA, DANO INCIDENTAL INDIRECTO O CONSECUENTE QUE PUEDE RESULTAR DE UN DEFECTO, FALLA, O MALFUNCIONAMIENTO DE LA LAVADORA DE PRESIÓN CAMPBELL HAUSFELD. En algunos estados no se permiten la exclusión o limitación de daños incidentales o consecuentes y en tal caso esta limitacion o exclusión no es aplicable.
  - C. Cualquier falla que resulte por daños en la transportación, accidente, abuso, negligencia o incumplimiento de las instrucciones de funcionamiento e instalacion indicadas en el manual suministrado con el producto.
  - D. El servicio al producto antes de la venta. Ejemplo ensamblaje, aceites o lubricantes, ajustes, etc.
  - E. Partes o ajustes requeridos normalmente en el mantenimiento de la lavadora de presión.
  - F. Partes adicionales no cubiertos en ésta garantía:
    1. Desgaste normal en partes tales como mangueras de alta presión, sellos de agua o aceite, anillos, válvulas y boquillas de spray.
    2. Defectos externos que no interfieren con su funcionamiento.
    3. Componentes oxidados.
    4. Desgaste de la bomba o daño de la válvula causado por uso de aceite inapropiado, contaminación del aceite o por no seguir adecuadamente las recomendaciones de mantenimiento.
  - G. El motor de gasolina y sus componentes están expresamente excluidos de ésta garantía limitada. Estos componentes deben de ser devueltos por el comprador al fabricante original o a su taller de reparación autorizado.
7. RESPONSABILIDADES DEL GARANTE BAJO ÉSTA GARANTÍA: Repare o reemplazar, como lo decida el garante, ya sea la lavadora de presión o alguna de sus partes que se encuentre defectuoso, no funcione adecuadamente y/o no cumpla de conformidad dentro del periodo de duración de la garantía.
8. RESPONSABILIDADES DEL COMPRADOR BAJO ESTA GARANTÍA:
  - A. Proporcionar prueba de la fecha de compra y registros de mantenimiento.
  - B. Entregar o enviar la lavadora de presión o su componente al centro de servicio autorizado Campbell Hausfeld más cercano. Los costos de embarque, si son aplicables, serán pagados por el comprador.
  - C. Ser cuidadoso con el funcionamiento y mantenimiento de la lavadora de presión de acuerdo al manual(s) del propietario.
9. CUANDO EFECTUARA EL GARANTE LA REPARACION O REEMPLAZO CUBIERTO POR ESTA GARANTÍA: La reparación o reemplazo del equipo tomara el tiempo normal y de acuerdo a la carga de trabajo en ese momento el el centro de servicio y de acuerdo a la disponibilidad de refacciones.

Esta garantía limitada es válida sólo en los EE.UU., Canadá y México y otorga derechos legales específicos. También usted podría tener otros derechos los cuales varían de estado a estado o de país a país.

---



