

Please read and save these instructions. Read carefully before attempting to assemble, install, operate or maintain the product described. Protect yourself and others by observing all safety information. Failure to comply with instructions could result in personal injury and/or property damage! Retain instructions for future reference.



Electric Powered Pressure Washers

REGISTER YOUR PRODUCT ONLINE NOW!

<http://www.campbellhausfeld.com>



Description

These powerful and durable electric pressure washers are designed for industrial projects in maintenance shops, farms, stables, commercial kitchens, screen printing businesses, on heavy equipment, and more. They are ETL approved which meet UL and CSA standards.

The heavy-duty, induction motor operates quietly, efficiently and without fuel emissions. It is covered with a powder coated, steel hood to protect and prolong the life of the unit, and provides tip storage. The commercial grade pump has ceramic pistons which provide a long pump life. The pump and motor are mounted to a rugged, powder coated steel framed cart. The cart features pneumatic wheels and a fold-down handle for compact storage. The gun/lance, high pressure hose and power cord all store neatly on the cart.

READ & FOLLOW ALL INSTRUCTIONS

**SAVE THESE INSTRUCTIONS
DO NOT DISCARD**

Safety Guidelines

This manual contains information that is very important to know and understand. This information is provided for SAFETY and to PREVENT EQUIPMENT PROBLEMS. To help recognize this information, observe the following symbols.

⚠ DANGER *Danger indicates an imminently hazardous situation which, if not avoided, WILL result in death or serious injury.*

⚠ WARNING *Warning indicates a potentially hazardous situation which, if not avoided, COULD result in death or serious injury.*

⚠ CAUTION *Caution indicates a potentially*

Figure 1

Specifications

Model	Pump	Volt	Nozzle Size	Pressure	Flow
CP5211	2HP CAT 4DXI5EUIF	120V	#2.0	2000 psi / 13,790 kPa	1.5 GPM
CP5216	2HP AR XJV16	120V	#2.0	1900 psi / 13,100 kPa	1.5 GPM
CP5321	5HP CAT 4DNX25GSI	230V	#3.0	2900 psi / 19,995 kPa	2.5 GPM

Please record Model Number and Serial Number for use when contacting the manufacturer:

Model No.: _____

Serial No.: _____

Purchase Date: _____

Purchase Place: _____

For information about this product, call 1-800-330-0712.

**REMINDER: Keep your dated proof of purchase for warranty purposes!
Attach it to this manual or file it for safekeeping.**

READ AND FOLLOW ALL INSTRUCTIONS • SAVE THESE INSTRUCTIONS • DO NOT DISCARD

Safety Guidelines (Continued)

hazardous situation which, if not avoided, MAY result in minor or moderate injury.

NOTICE

Notice indicates important information, that if not followed, may cause damage to equipment.

to equipment.

NOTE: Note means any additional information pertaining to the product or its proper usage.

General Safety Information

INSTRUCTIONS PERTAINING TO A RISK OF FIRE, ELECTRIC SHOCK, OR INJURY TO PERSONS

This manual contains important safety, operational and maintenance information. If you have any questions, please call 1-800-330-0712 for customer assistance.

⚠ WARNING

When using tools, basic precautions should always be followed, including the following:


following:

CALIFORNIA PROPOSITION 65



⚠ WARNING

This product or its power cord may contain chemicals, including lead, known to the State of California to cause cancer and birth defects or other reproductive harm. Wash hands after handling.


GENERAL

- To reduce the risks of electric shock, fire, and injury to persons, read all the instructions before using the tool. Failure to follow warnings, dangers, and cautions could result in **DEATH** or **SERIOUS INJURY**. 
- Be thoroughly familiar with the controls and the proper use of the equipment. Follow all instructions. Contact your Campbell Hausfeld representative if you have any questions.
- Only persons well acquainted with these rules of safe operation should be allowed to use the unit.
- Follow all safety codes as well as the Occupational Safety and Health Act (OSHA).

WORK AREA

- Keep operation area clear of all persons.
- To reduce the risk of injury, close supervision is necessary when the product is used near children.
- Do not operate the tool in explosive atmospheres, such as in the presence of flammable liquids, gases, or dust. The tool is able to create sparks resulting in the ignition of the dust or fumes. 
- NEVER spray flammable liquids or use pressure washer in areas containing combustible dust, liquids, or vapors. 
- Never operate this machine in a closed building or in or near an explosive environment.

PERSONAL SAFETY

- Stay alert. Watch what you are doing and use common sense when operating the tool. Do not use the tool while tired or under the influence of drugs, alcohol, or medication. A moment of inattention while operating the tool increases the risk of injury to persons.
- Dress properly. Do not wear loose clothing or jewelry. Contain long hair. Keep hair, clothing, and gloves away from moving parts. Loose clothes, jewelry, or long hair increases the risk of injury to persons as a result of being caught in moving parts.
- Do not overreach. Keep proper footing and balance at all times. Proper footing and balance enables better control of the tool in unexpected situations. 

⚠ WARNING

Risk of injection or severe injury. Keep clear of nozzle. Do not discharge streams at persons. This product is to be used only by trained operators. Always remove lance from gun before cleaning debris from nozzle.



- Keep clear of nozzle. NEVER direct high pressure spray at a person, animal, or yourself.
- NEVER put hand or fingers over the spray nozzle while operating the unit.
- NEVER try to stop or deflect leaks with any body part.

⚠ WARNING

Ensuring that the tool is used only when the operator and all other personnel in the work area are wearing ANSI Z87 eye protection equipment, and when required, other appropriate protection equipment such as head, hearing protection, gloves, rubber boots, protective clothing when operating and performing maintenance. Serious eye or permanent hearing loss could result.



ELECTRICAL SAFETY

GROUNDING INSTRUCTIONS

This product must be grounded. If it should malfunction or breakdown, grounding provides a path of least resistance for electric current, reducing the risk of electric shock. This product is equipped with a cord having an equipment-grounding conductor and a grounding plug. The plug must be plugged into an appropriate outlet that is properly installed and grounded in accordance with all local codes and ordinances.

⚠ DANGER

Improper connection of equipment-grounding conductor can result in a risk of electrocution. Check with a qualified electrician or service personnel if you are in doubt as to whether the outlet is properly grounded. Do not modify the plug provided with the product - it will not fit the outlet, have a proper outlet installed by a qualified electrician. Do not use any type of adaptor with this product.



Safety Guidelines (Continued)**⚠ WARNING*****Risk of electrocution:***

- a. This product is provided with a ground fault circuit interrupter, GFCI, built into the power cord plug. Be sure to inspect cord and GFCI prior to use. Any repair or replacement of the power cord must be performed by a qualified (licensed or certified) electrical technician. If replacement of the plug or cord is needed, use only identical replacement parts.
- b. Never use an extension cord with this product.
- c. Connect only to properly grounded outlet. Do not remove ground pin.
- d. Inspect cord before using - Do not use if cord is damaged.
- e. Keep all electrical connections dry and off the ground.
- f. Do not touch plug with wet hands.
- g. Do not spray electrical apparatus and wiring.

TOOL USE AND CARE**⚠ WARNING**

Do not use pressure that exceeds the operating pressure of any of the parts (hoses, fittings, etc.) in the pressurized system. Ensure all equipment and accessories are rated to withstand the maximum working pressure of the unit.

- a. Maintain the tool with care. A properly maintained tool reduces the risk of problems and is easier to control.
- b. Ensure safety devices are operating properly before each use. DO NOT remove or modify any part of the gun or unit.
- c. NEVER operate the machine without all components properly connected to the machine (handle, gun/wand assembly, nozzle, etc.).
- d. Point gun in safe direction. Unit will start spraying when trigger is squeezed if "On/Off" switch is in "ON" position.
- e. Know how to stop this product and bleed pressure quickly. Be thoroughly familiar with the controls.
- f. ALWAYS engage the trigger safety latch in the safe position when spraying is stopped even if only for a few moments.
- g. NEVER permanently engage the trigger mechanism on the gun.
- h. ALWAYS follow detergent manufacturer's label recommendations for proper use of detergents. Always protect eyes, skin, and respiratory system from detergent use.
- i. NEVER disconnect the high pressure discharge hose from the machine while the system is pressurized. To depressurize machine, turn power and water supply off, then press the gun trigger 2-3 times.
- j. Unplug unit when not in use.
- k. Follow the maintenance instructions specified in the manual.

NOTICE***Equipment damage:***

- l. ALWAYS turn water supply "ON" before turning pressure washer "ON." **Running pump dry causes serious damage.**
- m. Do not operate the pressure washer with the inlet water screen removed. Keep screen clear of debris and sediment.
- n. NEVER operate pressure washer with broken or missing parts. Check equipment regularly and repair or replace worn or damaged parts immediately.
- o. Use only the nozzles supplied with this machine.
- p. NEVER leave the wand unattended while the machine is running.
- q. ALWAYS hold gun and wand firmly when starting and operating the machine.
- r. NEVER allow the unit to run with the trigger released (off) for more than one minute. Resulting heat buildup will damage the pump.
- s. Release the trigger when changing from high to low pressure modes. Failure to do so could result in damage to the nozzle.
- t. NEVER store the pressure washer outdoors or where it could freeze. Freezing temperatures can seriously damage the pump.

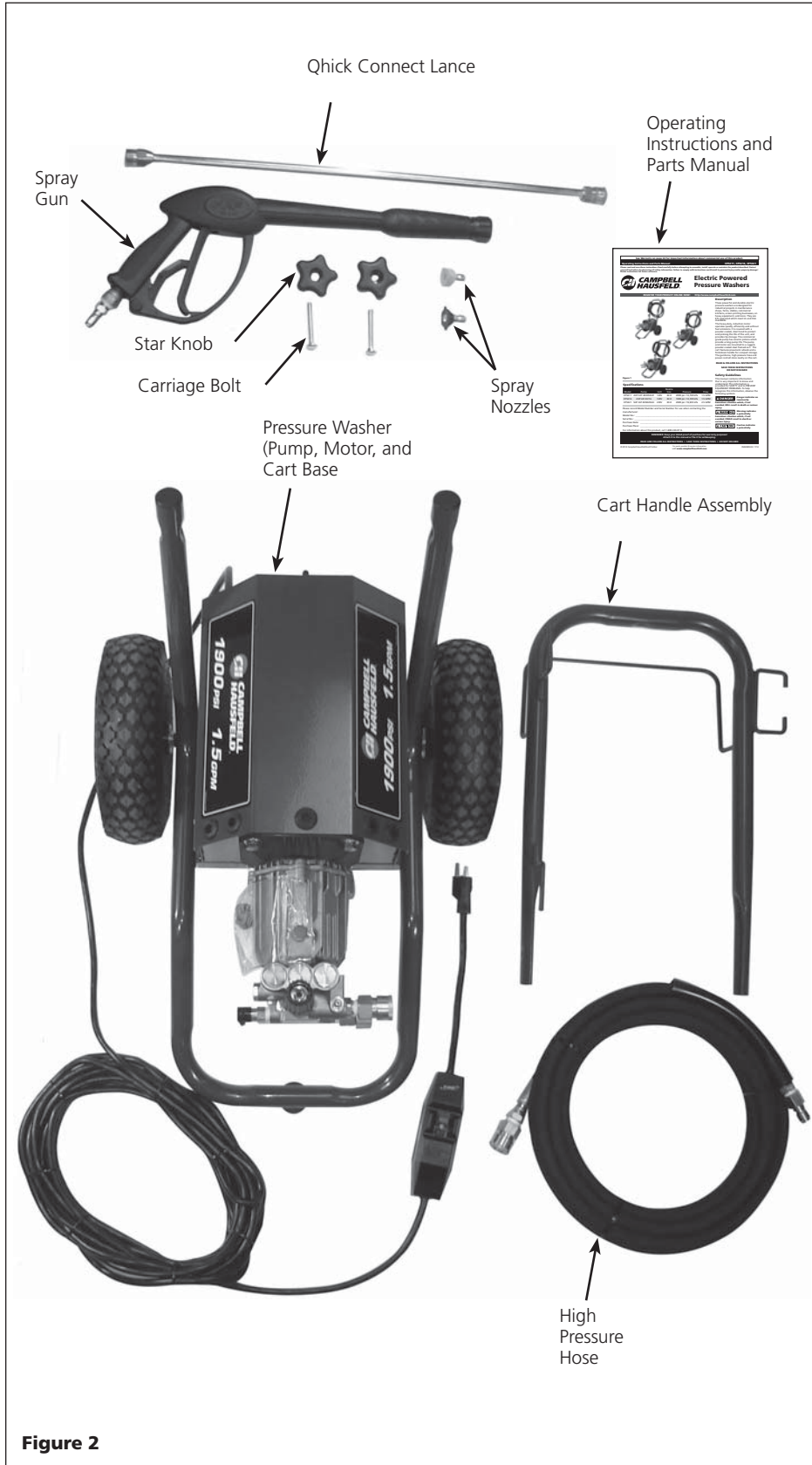
SERVICE

- a. **When servicing a tool, use only identical replacement parts. Use only authorized parts.**

The **DANGER, WARNING, CAUTION, and NOTICE** notifications and instructions in this manual cannot cover all possible conditions and situations that may occur. It must be understood by the operator that caution is a factor which cannot be built into this product, but must be supplied by the operator.

**SAVE THESE INSTRUCTIONS
DO NOT DISCARD**

Unpacking



After unpacking the unit, inspect carefully for any damage that may have occurred during transit. Check for loose, missing or damaged parts. Make sure to tighten fittings, bolts, etc., before using the pressure washer. Check to be sure all supplied accessories are enclosed with the unit. If any parts are missing, **DO NOT RETURN THE UNIT TO THE RETAILER.** Know the unit's model number (located on the serial number tag on the pressure washer frame) and call 1-800-330-0712 for replacement parts.

⚠ WARNING Do not operate unit if damaged during shipping, handling or use. Damage may result in bursting and cause injury or property damage.

CONTENTS IN THE CARTON

- ◆ One pressure washer (pump, motor, and cart base)
- ◆ One cart handle assembly
- ◆ One spray gun and quick connect lance
- ◆ Two spray nozzles for Model CP5216
Four spray nozzles for Model CP5321
Five spray nozzles for Model CP5211
- ◆ One high pressure hose
- ◆ One pack of nuts, bolts, and manuals

ADDITIONAL ITEMS NOT INCLUDED

- ◆ ANSI Z87 Eye Protection
- ◆ Garden Hose

Figure 2

Getting To Know Your Pressure Washer

RECOMMENDED USES FOR THIS PRESSURE WASHER

- ◆ Deck
- ◆ Siding
- ◆ Vehicles

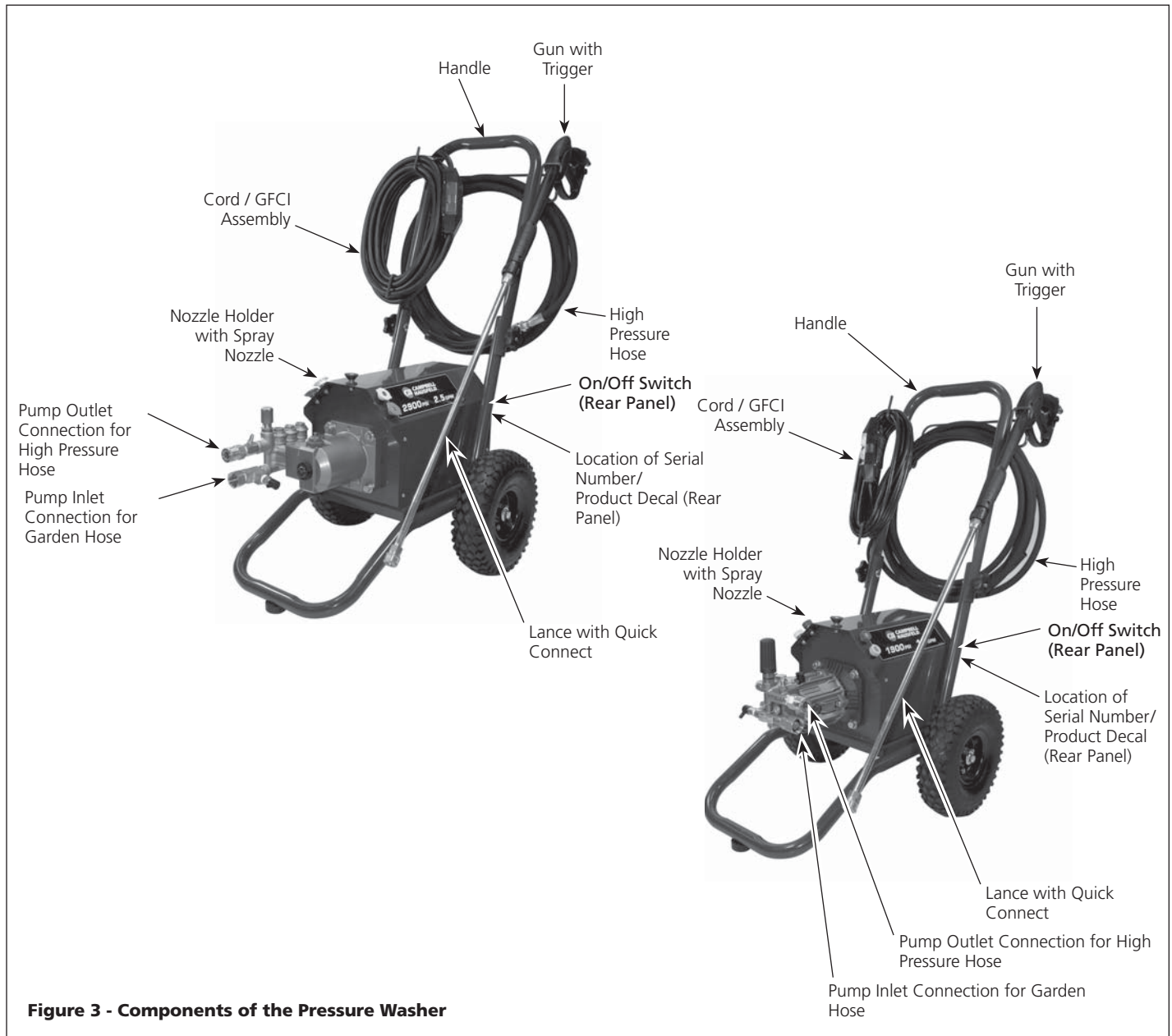


Figure 3 - Components of the Pressure Washer

Glossary

Become familiar with these terms before operating the unit.

GPM (GALLONS PER MINUTE) - More water per minute can mean faster cleaning, especially when washing off materials like mud and road tar.

GFCI (GROUND FAULT CURRENT INTERRUPTER) - GFCI protects user from accidental electrocution (for electric powered pressure washers only).

PSI (POUNDS PER SQUARE INCH) - A unit of measure for pressure. It determines how much pressure is directly applied on the surface being cleaned. The pressure that is delivered by the pressure washer is directly responsible for breaking the bond between the debris and the surface being cleaned.

Assembly and Preoperation

ASSEMBLY AND PREOPERATION

1. Slide the handle assembly over the lower legs of the cart base. Use the (supplied) star knob and bolts to secure the handle to the legs (See Figure 4).
2. Slide clear plastic detergent hose onto brass hose barb (See Figure 5).
3. Insert quick connect spray nozzles into rubber holders on front of the placard. (See Figure 6).
4. Secure garden hose (not included) to the inlet connection on pump (See Figure 7).
5. Connect the high pressure hose to the pump outlet (See Figure 8).
6. Attach the lance to the gun (See Figure 9).
7. Install quick connect nozzle (See Figure 10).

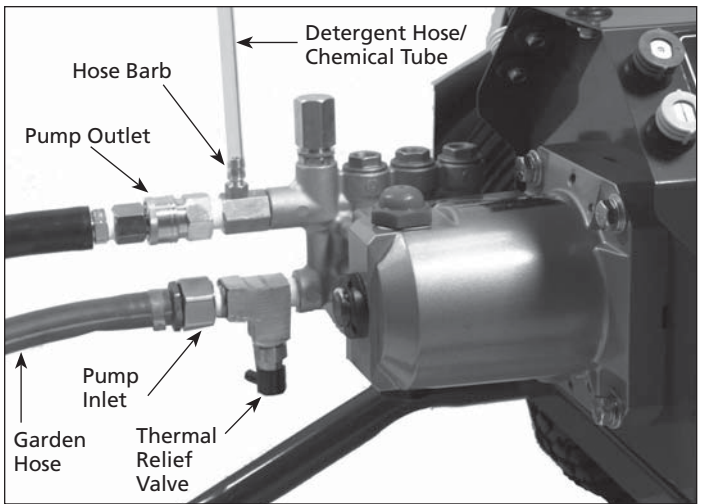


Figure 7 - Pump hook up

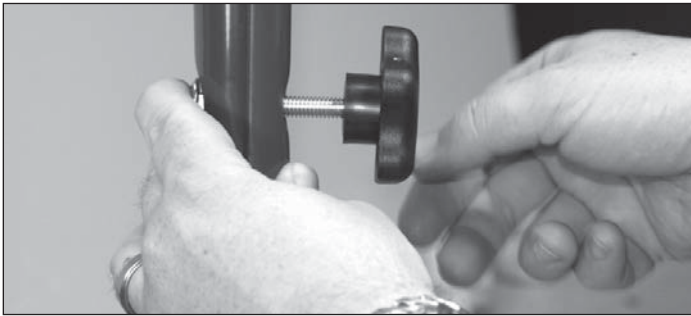


Figure 4 - Assemble handle

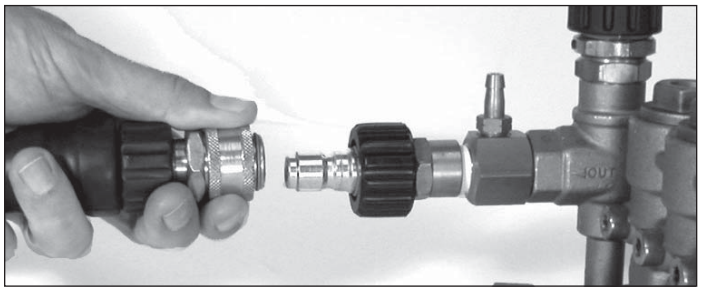


Figure 8 - Connect high pressure hose to pump

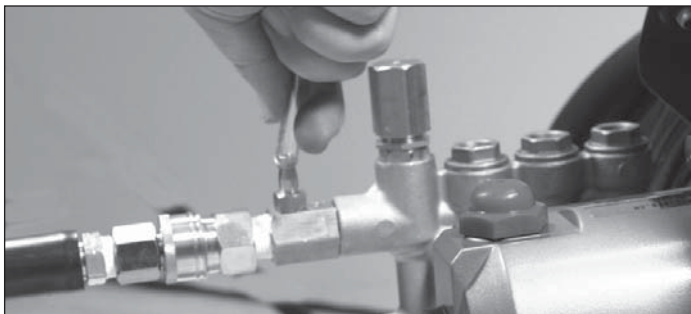


Figure 5 - Attach suction tube to barb fitting

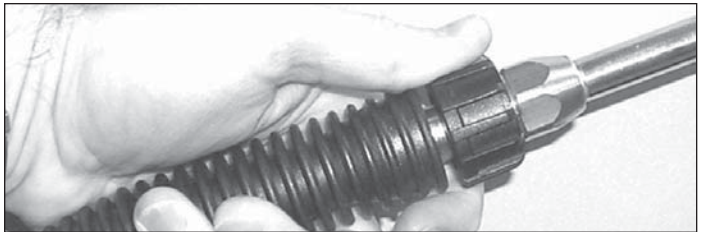


Figure 9 - Attach lance to gun



Figure 6 - Insert spray nozzles into the holder

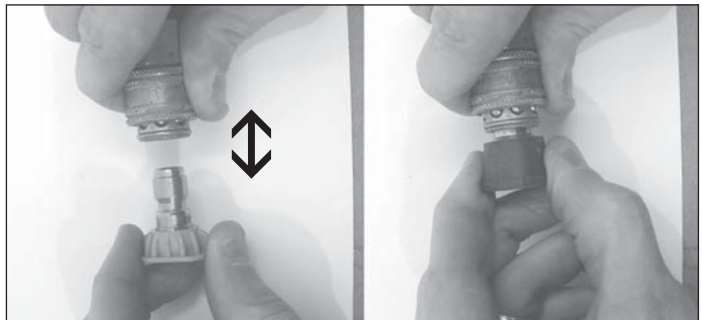


Figure 10 - Quick connect nozzle

Assembly and Preoperation (Continued)

TRIGGER SAFETY LATCH

In the engaged position, the trigger safety latch prevents the gun from being triggered accidentally. Push the latch fully up to engage it (See Figure 11 and 12).

Always engage the trigger safety latch when the unit is not in use.



Figure 11 - Trigger locked

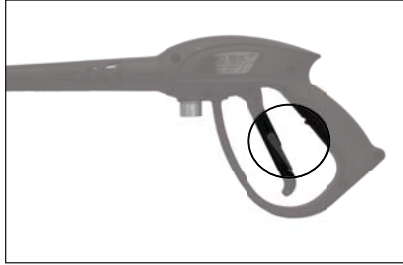


Figure 12 - Trigger unlocked

Operation

SURFACE PREPARATION

The following cleaning procedure will help you organize your cleaning task and ensures that you will achieve the best results in the shortest amount of time. Remember to use the spraying / cleaning techniques mentioned in the following section.

Before starting a pressure washer cleaning job, prepare the surface you intend to clean. Clear furniture from the area and make sure that all windows and doors are closed tightly. Also, protect all plants and trees near the cleaning area with a drop cloth. A covering ensures that your plants won't be sprayed by the detergents.

START UP

ALWAYS use this start up procedure to ensure that the unit is started safely and properly.

NOTICE

If water has frozen in the pressure washer, thaw the pressure washer in a warm room before starting. DO NOT pour hot water on or into the pump; internal parts will be damaged.

1. Ensure that the power switch is in the "OFF" position.
2. Attach a garden hose to the inlet side of the pump and connect it to the water supply. Use a hose with an internal diameter (I.D.) of 5/8 in. (15,9 mm) and a length of 50 ft. (15 m) or less.

WARNING

Some local plumbing codes require backflow prevention when connecting to a fresh water supply. Install a backflow preventer upstream from the pump if necessary.

- a. If inlet water pressure is over 100 psi, install a regulating water valve at the garden hose connection.
- b. Do not exceed 100° F (38° C) inlet water temperature.

NOTE: The inlet water supply must have a minimum flow rate of 5 gpm (19 lpm).

3. Turn the water supply ON.

NOTICE

Never run the unit dry. Be sure the water supply is completely turned on before operating the unit.

4. Trigger the gun until water sprays from the nozzle indicating that all air is purged from the system. Set the trigger safety latch.
5. Plug the power cord into a grounded 120V outlet (CP5211 and CP5216 only, CP5321 requires 230V outlet), that is on a dedicated circuit. Press the reset button on the GFCI plug adapter. This must be done each time the unit is plugged into an outlet.

INITIAL HIGH PRESSURE RINSE

Spray the cleaning surface with water to clear off any dirt or grime that may have collected on the surface. Doing so allows the detergent to attack the deep down dirt that has worked its way into the cleaning surface.

Trigger the gun 3 to 5 times to get any trapped air out of the system.

ADJUSTING THE SPRAY FAN ANGLE

Two quick connect nozzles for Model CP5216, four quick connect nozzles for Model CP5321 and five quick connect nozzles for Model CP5211 are included with this pressure washer. The tips have a range of spray fan angles, ranging from 0°, narrow high impact, to a 65° wide fan spray.

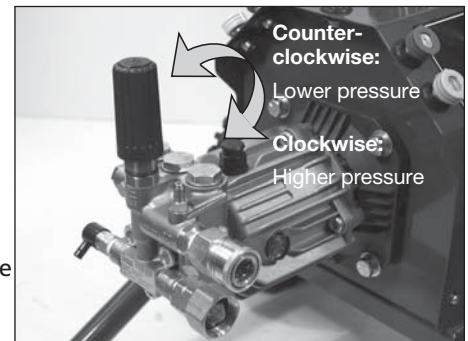


Figure 13 - Pressure adjustment for Model CP5216

Pressure can also be adjusted by moving closer or further away from the cleaning surface and by adjusting the spray fan angle as shown.

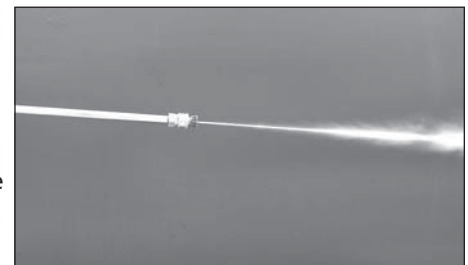


Figure 14 - Narrow high impact stream

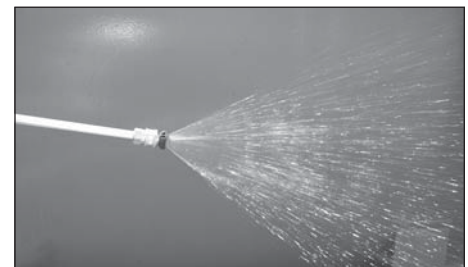


Figure 15 - Wide fan pattern

Operation (Continued)

ANGLE TO THE CLEANING SURFACE

When spraying water against a surface, you can generate maximum impact by striking the surface head on. However, this type of impact can cause dirt particles to embed in the surface and can prevent the desired cleaning action.

The optimum angle for spraying water against a cleaning surface is 45 degrees.



Figure 16 - Optimum angle to cleaning surface

Spray water against a surface at a 45 degree angle to achieve the most beneficial impact force and to efficiently remove debris.

DISTANCE FROM CLEANING SURFACE

The distance between the spray nozzle and the cleaning surface is another factor that affects the impact force of the water. The impact force of the water increases as the nozzle is moved closer to the surface.

HOW TO AVOID DAMAGING SURFACES

Damage to cleaning surfaces occurs because the impact force of the water exceeds the durability of the surface. You can vary the impact force by controlling the spray nozzle angle to the cleaning surface and the distance from the cleaning surface and by changing the spray nozzle. NEVER use a narrow high impact stream on a surface that is susceptible to damage. Avoid spraying windows with a narrow high impact stream. Doing so may break the window. The most sure way to avoid damaging surfaces is to follow these steps:

1. Before triggering the gun, make sure the quick connect nozzle you are using is appropriate for the application.
2. Place the spray nozzle approximately 4-5 feet (1,22 - 1,52 m) away from the cleaning surface. Then hold the gun and lance at a 45 degree angle to the cleaning surface. Trigger the gun.
3. Vary the fan pattern spray angle and the distance to the cleaning surface until optimum cleaning efficiency is achieved without damaging the surface.

DETERGENT APPLICATION

NOTE: Use only detergents formulated for pressure washers. Test detergent in an inconspicuous area before use. Do not use bleach with this pressure washer unit.

DETERGENTS

The use of detergents can dramatically reduce cleaning time and assist in the removal of difficult stains. Many detergents are customized for pressure washer use on specific cleaning tasks. Pressure washer detergents are as thick as water. Using thicker detergents – like dish soap – will clog the

chemical injection system and prevent the application of the detergent.

Once applied to a cleaning surface, detergents take time to break down dirt and grime. Detergents work best when applied at low pressure.

You can effectively clean surfaces by combining the chemical action of detergents with high pressure rinses. On vertical surfaces, apply the detergent starting at the bottom and work your way upward. This method prevents the detergent from sliding down and causing streaks. Begin high pressure rinsing at the top and work your way downward. On particularly tough stains, use a brush in combination with detergents and high pressure rinsing.

1. Follow manufacturer's label directions for mixing correct concentrations of soap/detergents. The soap detergent to water ration through the pump is approximately 10% (1 to 10).
2. Insert the filter end of the clear plastic detergent tube into the detergent container.
3. Use the black 65° quick connect spray nozzle.

GENERAL CLEANING TIPS

1. Apply the detergent so that it thoroughly covers the cleaning surface. Apply the detergent from bottom to top to prevent the detergent from sliding down and streaking. Wait a couple of minutes for the detergent to break down the dirt and grime. Use a brush to lightly scrub heavily soiled areas. Never allow the detergent to dry on the cleaning surface.
2. To rinse: replace black 65° spray nozzle with another color nozzle.

WARNING

Never replace quick connect nozzle when gun is triggered. Always engage trigger lock on gun before removing or installing quick connect nozzles.

3. After using detergents, flush the suction system by placing the detergent suction tube into a bucket of clean water and spraying with the black spray nozzle.

CLEANING POWER

The easiest way to regulate the cleaning power of your pressure washer is by changing the distance from the surface you are cleaning. Begin spraying with a wide fan pattern while standing several feet from the surface. Slowly move closer to the object you are cleaning, adjusting the spray pattern as necessary, until you find the most effective cleaning technique.

NOTE: The unit may also have a pressure adjustment knob on the pump that can adjust the pressure.

FINAL RINSE

The final rinse should start at the top and work downward. Make sure that you thoroughly rinse the surface and that you remove all detergent.

PRESSURE RELIEF PROCEDURE

To reduce the risk of bodily injury or property damage, always follow this procedure whenever spraying is stopped, when work is completed, and before checking or repairing any part of the system.

Operation (Continued)

- Engage the trigger safety latch.
- Turn the unit off.
- Shut off the water supply.
- Disengage the trigger safety latch and trigger the gun to relieve pressure.
- Re-engage the trigger safety latch.
- When checking or repairing unit, remove the wall outlet plug from the wall.
- Before overnight storage, long term storage, or transporting unit, disconnect the water supply.

SHUTDOWN

- Be sure all detergent is flushed from system.
- Turn the motor OFF.
- Turn the water supply OFF.
- After the motor and water supply are turned off, trigger the gun to depressurize the system.

NOTICE *NEVER turn the water supply off before turning the engine/motor off. Serious damage could occur to the pump and/or engine/motor.*

CAUTION *NEVER disconnect the high pressure discharge hose from the machine while the system is pressurized. To depressurize, turn engine/motor off, turn water supply off and squeeze gun trigger 2-3 times.*

- After each use, wipe all surfaces of the pressure washer with a clean, damp cloth.

STORAGE

- Do not store the pressure washer outdoors.
- Do not store the pressure washer where it might freeze unless it has been properly winterized.

WINTERIZING INSTRUCTIONS

- Disconnect the high pressure hose from the pump.
- Insert a 12 inch to 14 inch piece of garden hose into the pump inlet.
- Place a funnel in the other end of the garden hose.

NOTICE *Read the manufacturer's instructions for safe handling and disposal of RV antifreeze.*

- Pour approximately 6 oz. of RV antifreeze into the funnel.
- Jog the On/Off Switch briefly until the RV antifreeze comes out of the pump outlet.
- Disconnect the high pressure hose from the gun and drain the hose. Hold the gun and lance in a vertical position and squeeze the trigger to drain the water out.

TIPS FOR EXTENDING THE LIFE OF YOUR PRESSURE WASHER

- Never operate the unit without water.
- Your pressure washer is not meant to pump hot water. Never connect your pressure washer to a hot water supply as it will significantly reduce the life of the pump.
- Running the unit for more than one minute without spraying water causes heat to build up in the pump. Running the unit without spraying water will shorten the life of the pump components.

Maintenance

Observe regular maintenance intervals to ensure maximum performance and life from the pressure washer. Refer to the schedule for recommended maintenance. If you operate the pressure washer in dusty conditions, perform maintenance checks more often.

MAINTENANCE SCHEDULE

MAINTENANCE SCHEDULE	ACTION NEEDED
Daily	Check water inlet screen and filter.

TECHNICAL AND CONSUMER INFORMATION

HORIZONTAL ORIENTED PRESSURE WASHERS	
Pump Oil Capacity	
XJV	4.5 fl. oz. AR64545 oil
4DX and 4DNX	8.5 fl. oz. CAT pump oil
Pump Detergent Suction	
Water to detergent ratio	10 to 1 (10% detergent)
Water Supply Requirements	
Minimum inlet pressure	20 psi
Maximum inlet pressure	100 psi
Maximum inlet temperature	100° F
Minimum inlet flow rate	5 gpm
Inlet garden hose size	5/8 in. I.D.
Maximum inlet garden hose length	50 ft

TECHNICAL SERVICE

For information regarding the operation or repair of this product, please call 1-800-330-0712.

REPLACEMENT PARTS INFORMATION

For information regarding where to order replacement parts, call toll free 1-800-330-0712.

Please provide the following information:

- Model number
- Stamped code
- Part number and description

Address parts correspondence to:

Campbell Hausfeld
100 Production Drive
Harrison, Ohio 45030 U.S.A.

Wiring Diagrams

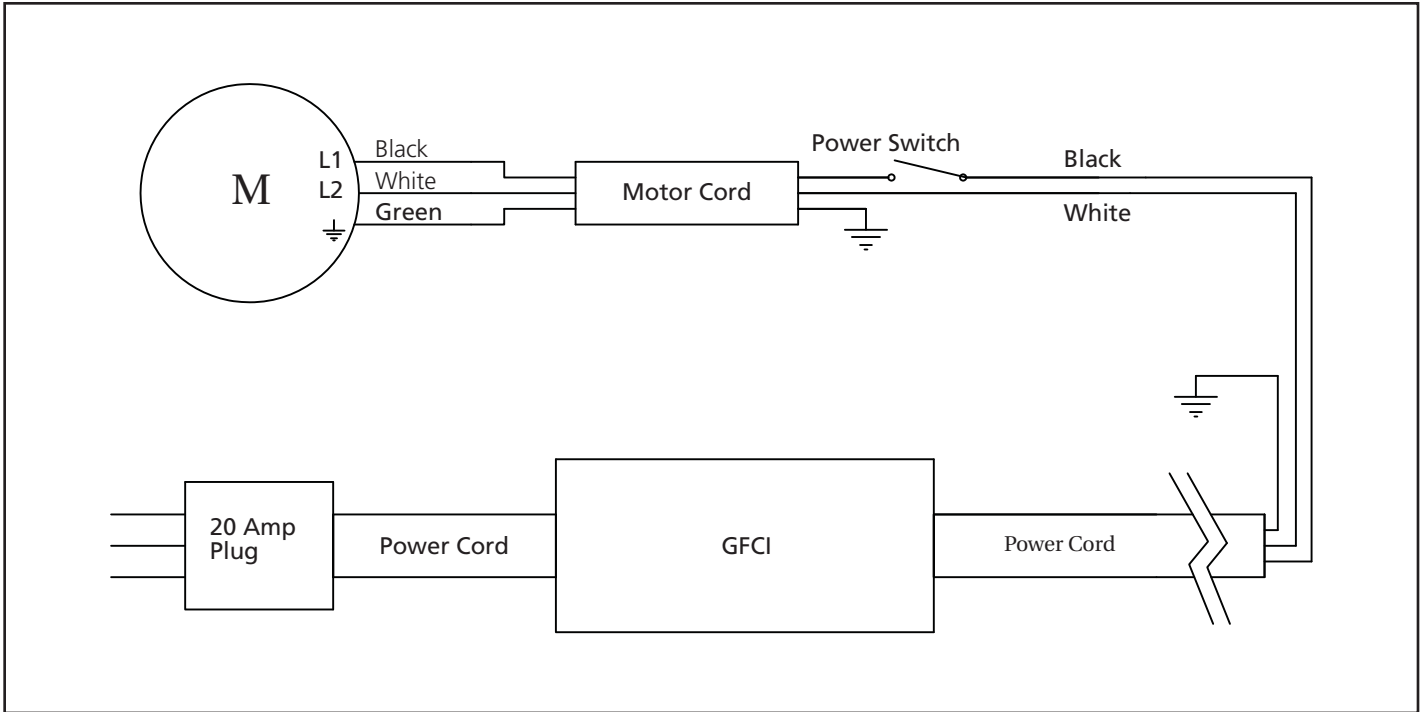


Figure 17 - Wiring Diagram 115V

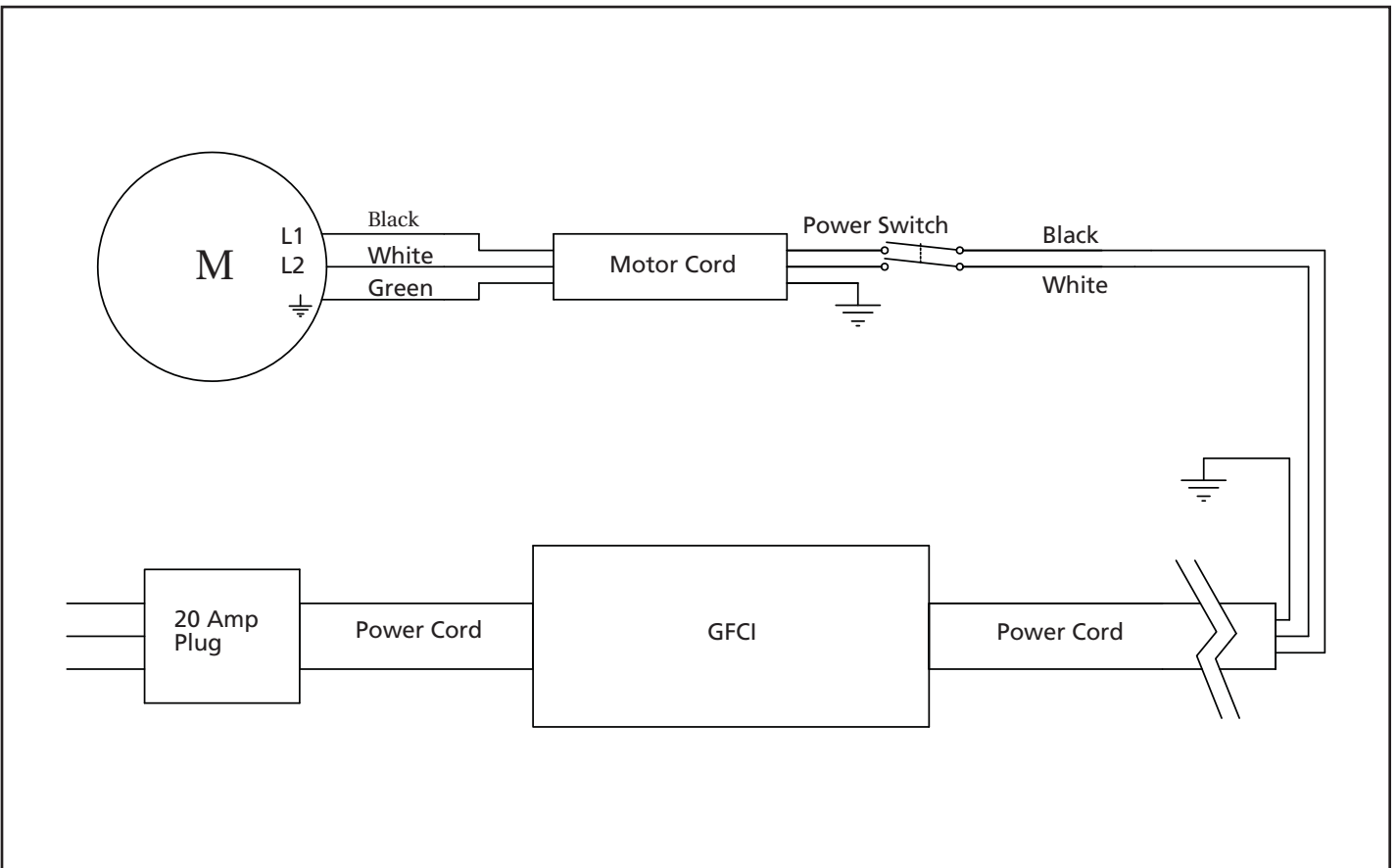


Figure 18 - Wiring Diagram 230V

Notes

A series of horizontal lines for taking notes.

General Troubleshooting Guide

Symptom	Possible Cause(s)	Corrective Action
Low pressure and/or pump runs rough	<ol style="list-style-type: none"> 1. Worn or wrong size nozzle 2. Inlet filter on pump clogged 3. Worn water seals, abrasives in water, or natural wear 4. Fouled or dirty inlet or discharge valves 5. Restricted inlet 6. Worn inlet or discharge valves 7. Leaking high pressure hose 8. Pump drawing in air 9. Unloader valve seat faulty or worn 	<ol style="list-style-type: none"> 1. Replace with nozzle of proper size 2. Clean. Check more frequently 3. Check filter. Replace water seals. See service center 4. Clean inlet and discharge valve assemblies. Check filter 5. Check garden hose, may be collapsed or kinked. Check inlet water flow 6. Replace worn valves 7. Replace high pressure hose 8. Ensure hoses and fittings are tight 9. Check and replace
Water leakage from under pump manifold	Worn water seals	Install new water seals. See service center
Water in pump crankcase (milky oil)	<ol style="list-style-type: none"> 1. Humid air condensing inside crankcase 2. Oil seals leaking 	<ol style="list-style-type: none"> 1. Change oil as specified in maintenance schedule 2. Install new oil seals. See service center
Frequent or premature failure of the pump water seals	<ol style="list-style-type: none"> 1. Scored damaged or worn plungers 2. Abrasive material in the fluid 3. Inlet water temperature too high 4. Overpressurizing pump 5. Excessive pressure due to partially plugged or damaged nozzle 6. Pump running too long without spraying 7. Pump running dry 	<ol style="list-style-type: none"> 1. Install new plungers. See service center 2. Install proper filtration on pump inlet plumbing 3. Check water temperature; may not exceed 100° F. 4. Do not modify any factory set adjustments 5. Clean or replace nozzle 6. Never run pump more than 2 minutes without spraying 7. Do not run pump without water
Strong surging at the inlet and low pressure	Foreign particles in the inlet or discharge valve or worn inlet and/or discharge valves	Clean or replace valves. See service center
Oil leakage between the engine and the pump	Worn oil seals and/or o-ring	Replace oil seals and/or o-ring. See service center
Fluctuating pressure	<ol style="list-style-type: none"> 1. Valve worn, dirty or stuck 2. Pump drawing in air 3. Nozzle clogged 	<ol style="list-style-type: none"> 1. Check and replace 2. Ensure hoses and fittings are tight. Purge air from garden hose 3. Check or replace
Pressure drops after period of normal use	<ol style="list-style-type: none"> 1. Worn pump water seals 2. Nozzle worn 3. Valve worn, dirty or stuck 4. Unloader valve seat worn or dirty 5. Nozzle in low psi position 	<ol style="list-style-type: none"> 1. Check and replace 2. Check and replace 3. Check, clean or replace 4. Check, clean or replace 5. Pull back nozzle to high pressure position

Continued on next page

General Troubleshooting Guide

Symptom	Possible Cause(s)	Corrective Action
Pressure washer does not start up	<ol style="list-style-type: none"> 1. GFCI has tripped 2. Plug is not well connected or electric socket is faulty 3. Extension cord too long or wire size too small 4. Main voltage supply too low 5. Thermal safety switch has tripped 	<ol style="list-style-type: none"> 1. Push reset button on plug 2. Check plug, socket and fuses 3. Remove extension cord 4. Check that main supply voltage is adequate 5. Switch off unit and allow motor to cool down
Motor stops suddenly	<ol style="list-style-type: none"> 1. Extension cord too long or wire size too small 2. Thermal safety switch has tripped due to overheating 	<ol style="list-style-type: none"> 1. Remove extension cord 2. Check that main supply voltage corresponds to specifications
Unit begins to smoke	Overheated, overloaded or damaged motor	Turn off unit and call 1-800-330-0712
Pump noisy / pump runs rough	<ol style="list-style-type: none"> 1. Pump drawing in air/low water supply 2. Valves dirty or worn 3. Worn bearings 4. Water too hot 	<ol style="list-style-type: none"> 1. Ensure fittings are tight. Increase water pressure 2. Check, clean or replace 3. Check and replace 4. Reduce temperature below 100° F
Pressure washer will not spray detergent	<ol style="list-style-type: none"> 1. Not using soap nozzle 2. Clog, kink, or hole in detergent suction hose 3. Hose length too long 4. Lance not functioning properly 	<ol style="list-style-type: none"> 1. Install 65° (black) soap nozzle 2. If clean, unkink or replace hose. 3. Use only hose length provided with initial purchase of pressure washer. Detergent suction will not function if more than one section of hose is attached to unit. 4. Remove lance from gun. If detergent is dispensed through gun, the lance must be replaced. If no detergent is dispensed through gun, remove 1 inch tapered detergent barb from pump. Clean the barb, and make sure that ball and spring are properly aligned with tapered portion of the spring facing the ball. The ball should be on top of the spring.

For Replacement Parts or Technical Assistance, Call 1-800-330-0712

Please provide following information:

- Model number
- Serial number (if any)
- Part description and number as shown in parts list

Address any correspondence to:

Campbell Hausfeld
Attn: Customer Service
100 Production Drive
Harrison, OH 45030 U.S.A.

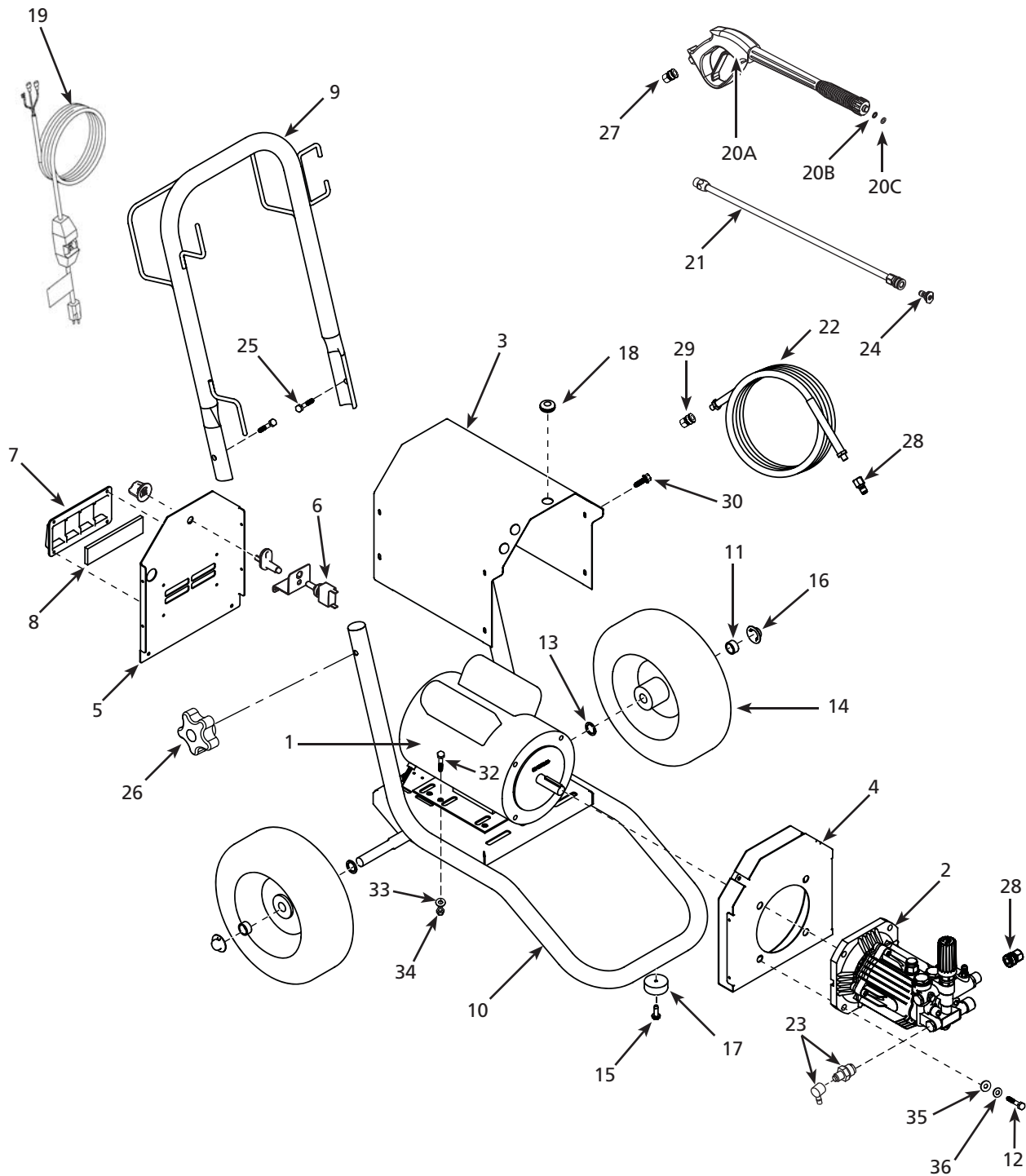


Figure 19

Replacement Parts List

Ref. No.	Description	CP5211	CP5216	CP5321	Qty.
1	Motor	MC031000AV	MC031000AV	MC031001AV	1
2	Pump	PM351171SJ	PM351170SJ	PM351172SJ	1
3	Motor cover	PM351173SJ	PM351173SJ	PM351174SJ	1
4	Air baffle	PM351102JJ	PM351102JJ	PM351102JJ	1
5	Rear cover	PM351103JJ	PM351103JJ	PM351107JJ	1
6	Switch	PM351179SJ	PM351179SJ	PM351180SJ	1
7	Louver	PM351128AV	PM351128AV	PM351128AV	1
8	Air Filter	PM351129AV	PM351129AV	PM351129AV	1
9	Handle	PM351026JJ	PM351026JJ	PM351026JJ	1
10	Cart	PM351175SJ	PM351175SJ	PM351176SJ	1
11	1/4 inch Spacer (2 per side)	AL177001AV	AL177001AV	AL177001AV	4
12	Bolt - 3/8 inch - 16 x 1.25 inch long	*	*	*	4
13	9/16 inch Spacer (2 per side)	MJ105308AV	MJ105308AV	MJ105308AV	4
14	Pneumatic wheel	WA005621AV	WA005621AV	WA005621AV	2
15	Screw	MJ102100AV	MJ102100AV	MJ102100AV	1
16	Palnut	PM344759AV	PM344759AV	PM344759AV	2
17	Rubber bumper	AL062300AV	AL062300AV	AL062300AV	1
18	Rubber grommet	MJ110200AV	MJ110200AV	MJ110200AV	5
19	Cord assembly	PM351177SJ	PM351177SJ	PM351178SJ	1
20A	Gun	PM005136AV	PM005136AV	PM005136AV	1
20B	Gun o-ring	PM345403SJ	PM345403SJ	PM345403SJ	1
20C	Gun backup o-ring	PM232211SV	PM232211SV	PM232211SV	1
21	Lance	PM351378AV	PM351378AV	PM351378AV	1
22	25 foot Hose	PM005010AV	PM005010AV	PM005010AV	1
23	Thermal relief assembly	PM345016SJ	PM345017SJ	PM345017SJ	1
24	Quick connect tips				
	Nozzle – 0 deg	PM351120AV	PM351120AV	--	1
	Nozzle – 15 deg	PM351121AV	PM351121AV	PM039880AV	
	Nozzle – 25 deg	PM351122AV	PM351122AV	PM039890AV	
	Nozzle – 40 deg	PM351123AV	PM351123AV	PM039900AV	
	Nozzle – Soap	PM039820AV	PM039820AV	PM039820AV	
25	5/16 inch – 18 x 2.25 inch Carriage Bolt	MJ103305AV	MJ103305AV	MJ103305AV	2
26	Star Knob	PM080900AV	PM080900AV	PM080900AV	2
27	Quick Connect – Gun	PM068060AV	PM068060AV	PM068060AV	1
28	Quick Connect – Pump and Hose	PM068070AV	PM068070AV	PM068070AV	2
29	Quick Connect – Hose	PM068066AV	PM068066AV	PM068066AV	1
30	Screw - #8-18 Tapping	MJ106100AV	MJ106100AV	MJ106100AV	14
31	Chemical Tube (not shown)	PM013800AV	PM013800AV	PM013800AV	1
32	5/16 inch – 18 X 3/4 inch Bolt	ST016000AV	ST016000AV	ST016000AV	4
33	5/16 inch Flat Washer	ST070930AV	ST070930AV	ST070930AV	4
34	5/16 inch – 18 Hex Nut	AL014000AV	AL014000AV	AL014000AV	4
35	3/8 inch Flat Washer	*	*	*	4
36	3/8 inch Lock Washer	*	*	*	4
*	Standard Hardware Item				
--	Not available				

For Replacement Parts or Technical Assistance, Call 1-800-330-0712

Please provide following information:

- Model number
- Serial number (if any)
- Part description and number as shown in parts list

Address any correspondence to:

Campbell Hausfeld
 Attn: Customer Service
 100 Production Drive
 Harrison, OH 45030 U.S.A.

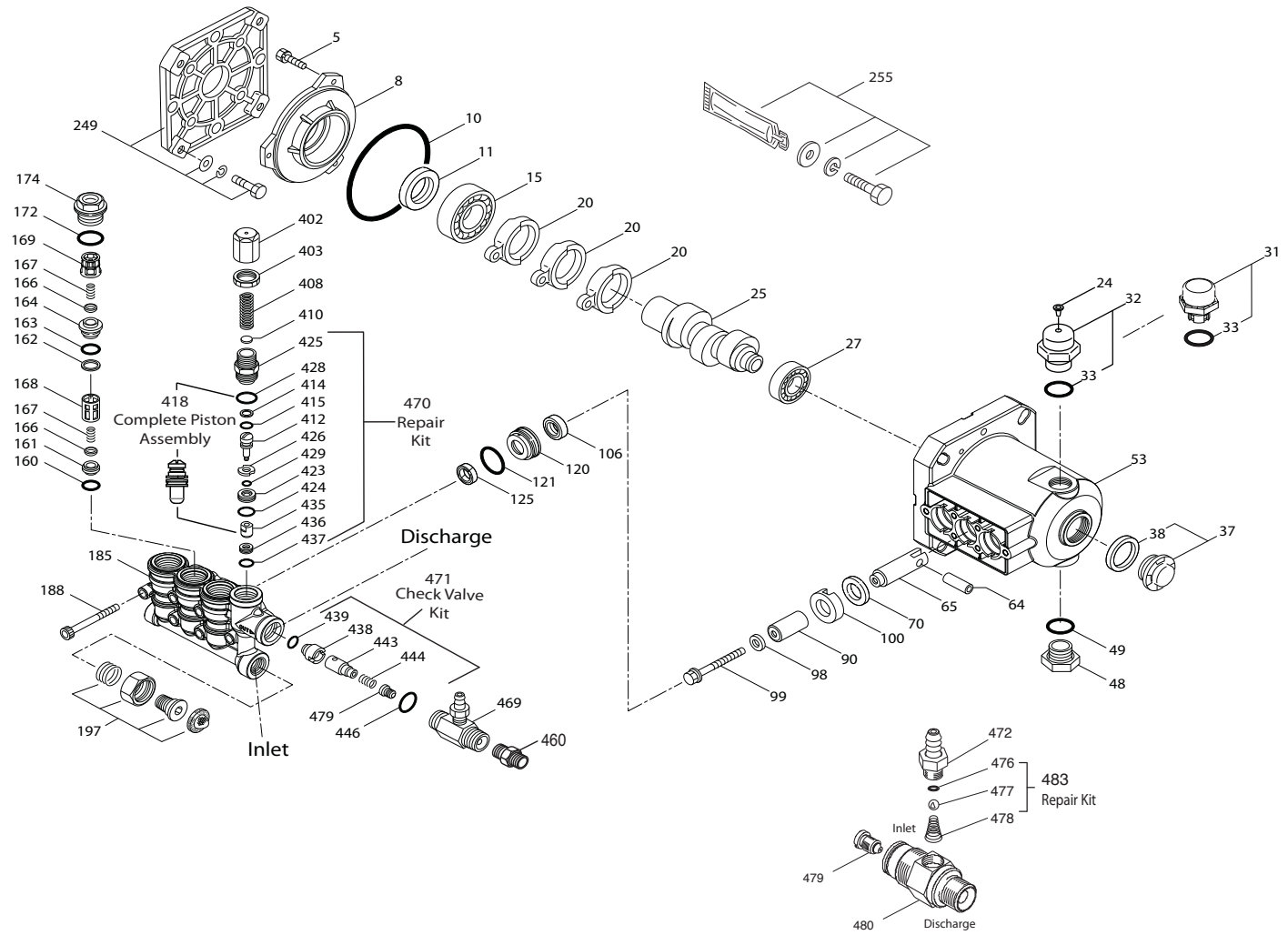


Figure 20 - PM351171SJ

REPLACEMENT PARTS LIST FOR PM351171SJ

Ref. No.	Description	Part No.	Qty.	Ref. No.	Description	Part No.	Qty.
5	HH Screw (M6-14)	--	1	174	Valve Plug	--	1
8	Bearing Cover	--	1	185	Manifold Head	--	1
10	Bearing Cover O-ring (70D)	--	1	188	HSH Screw (M6-60)	--	1
11	Oil Seal (70D)	--	1	197	Garden Hose Assy	PM900500AV	1
15	Inner Ball Bearing	--	1	249	Adapter Mount Assy	--	1
20	Connecting Rod	--	1	255	Mounting Bolt Assy	--	1
24	Oil Cap Plug	PM900000AV	1	300	Seal Kit (inc. 98,106,121,125)	PM900600AV	1
25	Crank Shaft	--	1	310	Valve Kit (inc. 160,161,162,163,164,166,167,168,169,172)	PM900900AV	1
27	Ball Bearing	--	1	401	Adjustment Handle	--	1
32	Oil Filler Cap	PM345078SV	1	402	Adjusting Cap	--	1
33	Oil Filler Cap O-Ring (70D)	PM345079SV	1	403	Lock Nut (M18-1)	--	1
37	Oil Sight Glass	PM900200AV	1	404	Set Screw (M4-1)	--	1
38	Sight Glass Gasket (80D)	--	1	408	Pressure Spring	--	1
48	Drain Plug	PM900300AV	1	410	Spring Retainer	--	1
49	Drain Plug O-Ring (70D)	PM900400AV	1	412	Piston Stem (M5)	--	1
53	Crankcase	--	1	414	Piston Stem Backup Ring	--	1
64	Crosshead Pin	--	1	415	Piston Stem O-Ring (70D)	--	1
65	Plunger Rod	--	1	418	Complete Piston Assembly	--	1
69	Oil Seal Washer	--	1	423	Valve Retainer	--	1
70	Oil Seal	--	1	424	Valve Retainer O-Ring (Outer)	--	1
75	Barrier Slinger	--	1	425	Piston Retainer	--	1
90	Plunger (M14-25.5)	--	1	426	Washer	--	1
98	Seal Washer (90D)	--	1	428	Piston Retainer O-Ring	--	1
99	Plunger Retainer (M6-35)	--	1	429	Valve Retainer O-Ring (Inner)	--	1
100	Seal Retainer	--	1	430	Valve Retainer Backup Ring	--	1
106	LPS Seal	--	1	435	Ball Assembly Valve	--	1
120	Seal Case	--	1	436	Seat	--	1
121	Seal Case O-Ring (70D)	--	1	437	Seat O-Ring	--	1
122	Support Ring	--	1	438	Check Valve Seat	--	1
125	HPS Seal	--	1	439	Check Valve Seat O-Ring	--	1
127	V-Packing	--	1	443	Check Valve w/ O-Ring	--	1
128	Male Adapter	--	1	444	Check Valve Spring	--	1
160	Inlet Seat O-Ring	--	1	446	Body O-Ring	--	1
161	Inlet Seat	--	1	460	Discharge Fitting (3/8" NPTF -18)	--	1
162	Discharge Seat Backup Ring	--	1	468	O-Ring Kit (inc. 414,415,424,428,429,437,439,446)	PM901300AV	1
163	Discharge Seat O-Ring	--	1	469	Fixed Chemical Injector	--	1
164	Discharge Seat	--	1	470	Repair Kit (inc. 412,414,415,423,424,425,426,428,429,435,436,437)	PM901100AV	1
166	Valve	--	1	471	Check Valve Kit (inc. 438,439,443,444,446)	PM901600AV	1
167	Spring	--	1	483	Injector Repair Kit (inc. 476,477,478)	PM901500AV	1
168	Inlet Spring Retainer	--	1				
169	Discharge Spring Retainer	--	1				
172	Valve Plug O-Ring	--	1				

For Replacement Parts or Technical Assistance, Call 1-800-330-0712

Please provide following information:

- Model number
- Serial number (if any)
- Part description and number as shown in parts list

Address any correspondence to:

Campbell Hausfeld
 Attn: Customer Service
 100 Production Drive
 Harrison, OH 45030 U.S.A.

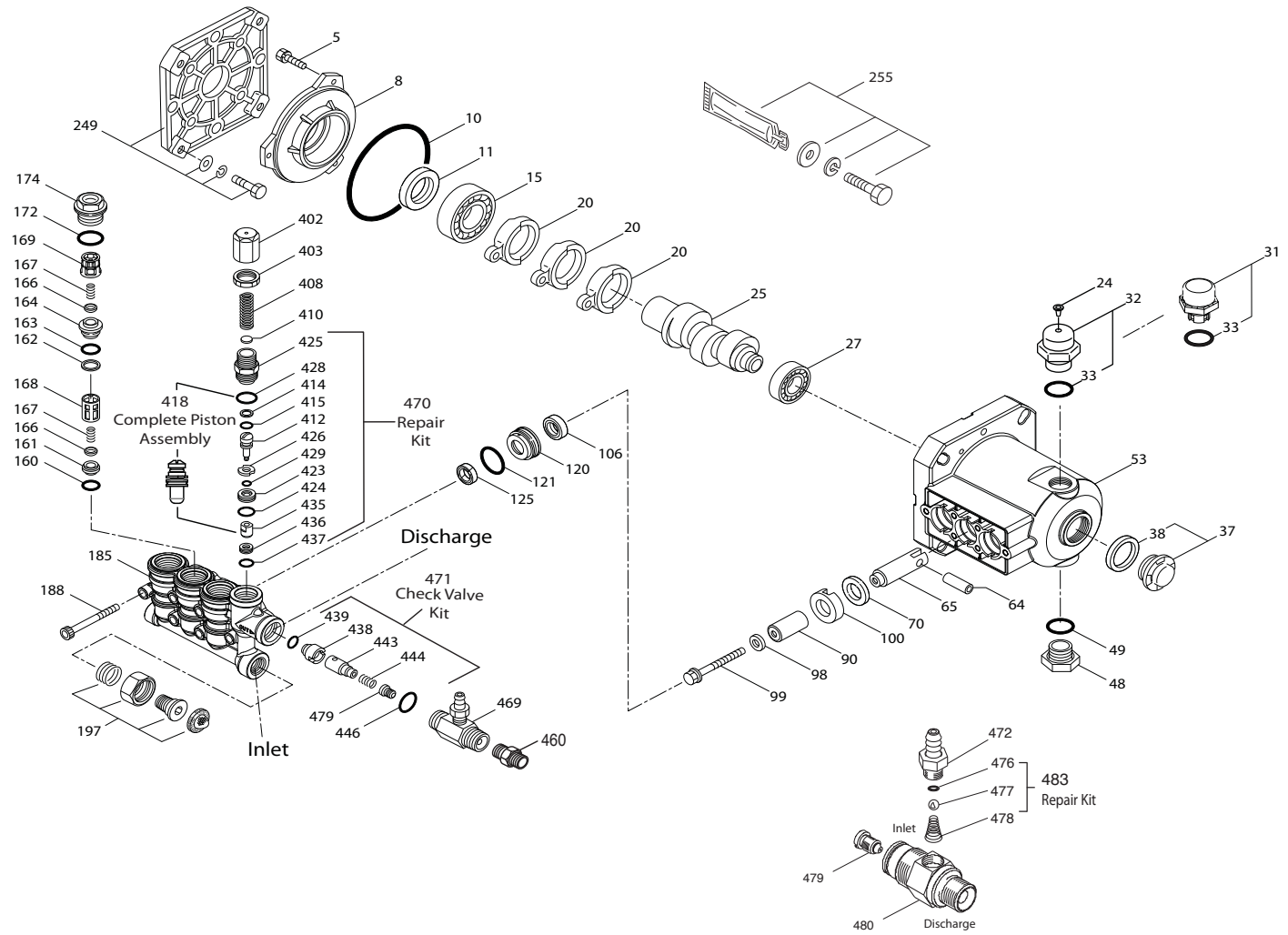


Figure 21 - PM351172SJ

REPLACEMENT PARTS LIST FOR PM351172SJ

Ref. No.	Description	Part No.	Qty.	Ref. No.	Description	Part No.	Qty.
5	HH Screw (M6-14)	--	1	185	Manifold Head	--	1
8	Bearing Cover	--	1	188	HSH Screw (M6-60)	--	1
10	Bearing Cover O-ring (70D)	--	1	197	Garden Hose Assy	PM900500AV	1
11	Oil Seal (70D)	--	1	249	Adapter Mount Assy	--	1
15	Inner Ball Bearing	--	1	255	Mounting Bolt Assy	--	1
20	Connecting Rod	--	1	300	Seal Kit (inc. 98,106,121,125)	PM905100AV	1
24	Oil Cap Plug	PM900000AV	1	310	Valve Kit (inc. 160,161,162,163,164,166,167,168,169,172)	PM905200AV	1
25	Crank Shaft	--	1	401	Adjustment Handle	--	1
27	Ball Bearing	--	1	402	Adjusting Cap	--	1
32	Oil Filler Cap	PM345078SV	1	403	Lock Nut (M18-1)	--	1
33	Oil Filler Cap O-Ring (70D)	PM345079SV	1	404	Set Screw (M4-1)	--	1
37	Oil Sight Glass	PM900200AV	1	408	Pressure Spring	--	1
38	Sight Glass Gasket (80D)	--	1	410	Spring Retainer	--	1
48	Drain Plug	PM900300AV	1	412	Piston Stem (M5)	--	1
49	Drain Plug O-Ring (70D)	PM900400AV	1	414	Piston Stem Backup Ring	--	1
53	Crankcase	--	1	415	Piston Stem O-Ring (70D)	--	1
64	Crosshead Pin	--	1	418	Complete Piston Assembly	--	1
65	Plunger Rod	--	1	423	Valve Retainer	--	1
69	Oil Seal Washer	--	1	424	Valve Retainer O-Ring (Outer)	--	1
70	Oil Seal	--	1	425	Piston Retainer	--	1
75	Barrier Slinger	--	1	426	Washer	--	1
90	Plunger (M14-25.5)	--	1	428	Piston Retainer O-ring	--	1
98	Seal Washer (90D)	--	1	429	Valve Retainer O-Ring (Inner)	--	1
99	Plunger Retainer (M6-35)	--	1	430	Valve Retainer Backup Ring	--	1
100	Seal Retainer	--	1	435	Ball Assembly Valve	--	1
106	LPS Seal	--	1	436	Seat	--	1
120	Seal Case	--	1	437	Seat O-Ring	--	1
121	Seal Case O-Ring (70D)	--	1	438	Check Valve Seat	--	1
122	Support Ring	--	1	439	Check Valve Seat O-Ring	--	1
125	HPS Seal	--	1	443	Check Valve w/ O-Ring	--	1
127	V-Packing	--	1	444	Check Valve Spring	--	1
128	Male Adapter	--	1	446	Body O-Ring	--	1
160	Inlet Seat O-Ring	--	1	460	Discharge Fitting (3/8" NPTF -18)	--	1
161	Inlet Seat	--	1	468	O-Ring Kit (inc. 414,415,424,428,429,437,439,446)	PM904900AV	1
162	Discharge Seat Backup Ring	--	1	469	Fixed Chemical Injector	--	1
163	Discharge Seat O-Ring	--	1	470	Repair Kit (inc. 412,414,415,423,424,425,426,428,429,435,436,437)	PM905000AV	1
164	Discharge Seat	--	1	471	Check Valve Kit (inc. 438,439,443,444,446)	PM901600AV	1
166	Valve	--	1	483	Injector Repair Kit (inc. 476,477,478)	PM901500AV	1
167	Spring	--	1				
168	Inlet Spring Retainer	--	1				
169	Discharge Spring Retainer	--	1				
172	Valve Plug O-Ring	--	1				
174	Valve Plug	--	1				

For Replacement Parts or Technical Assistance, Call 1-800-330-0712

Please provide following information:

- Model number
- Serial number (if any)
- Part description and number as shown in parts list

Address any correspondence to:

Campbell Hausfeld
 Attn: Customer Service
 100 Production Drive
 Harrison, OH 45030 U.S.A.

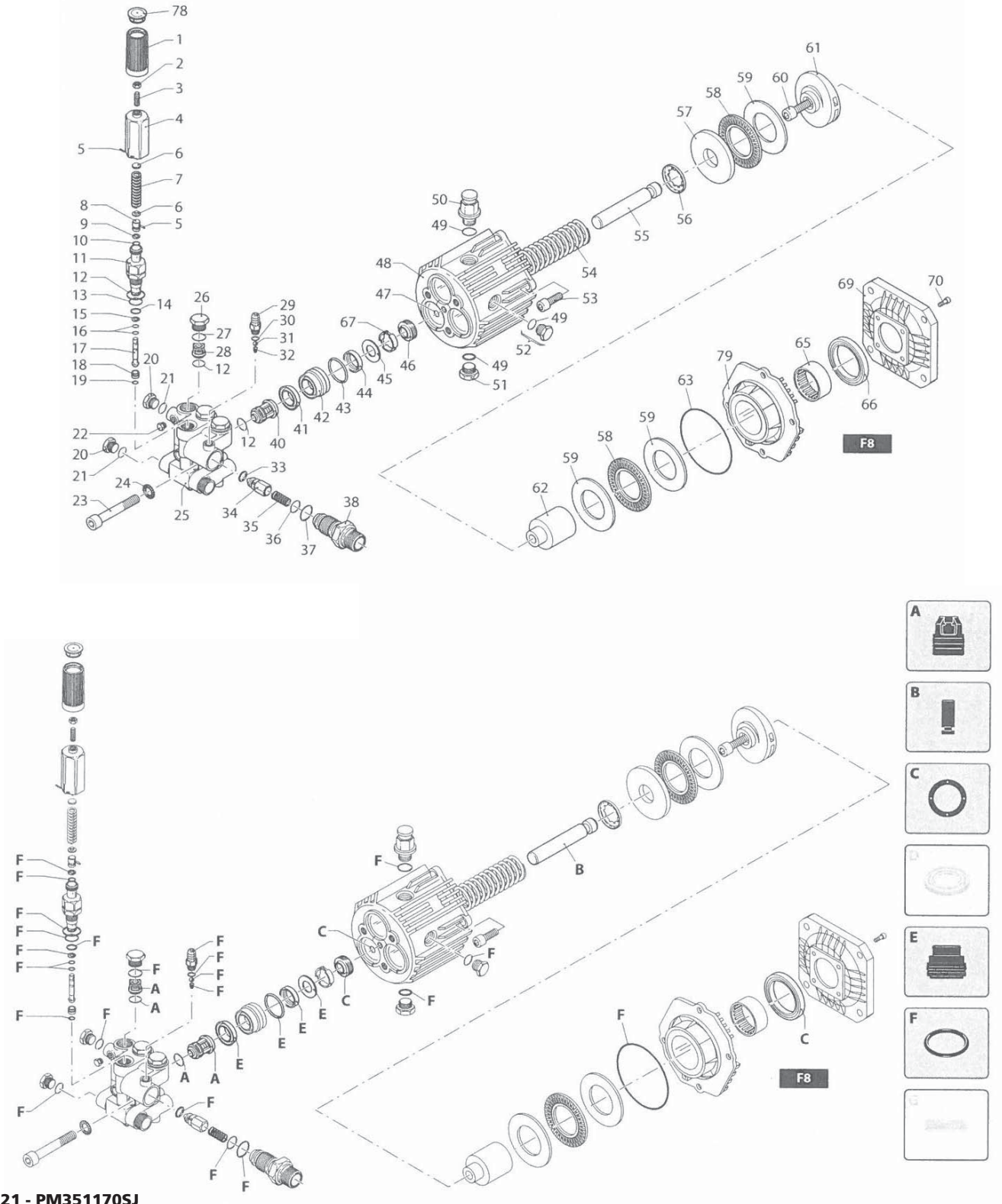


Figure 21 - PM351170SJ

REPLACEMENT PARTS LIST FOR PM351170SJ

Ref. No.	Description	Part No.	Qty.
1	Knob	--	1
2	Nut M6	--	1
3	Screw M6 - 20	--	1
4	Insert	--	1
5	Pin	--	1
6	Spacer	--	1
7	Spring	--	1
8	Unloader Piston	--	1
9	Unloader Ring	F	1
10	O-Ring	F	1
11	Piston Guide	--	1
12	O-Ring	A	6
	O-Ring	F	7
13	O-Ring	F	1
14	O-Ring	F	1
15	Ring	F	1
16	O-Ring	F	2
17	Piston	--	1
18	Seat	--	1
19	O-Ring	F	1
20	Plug	--	1
21	O-Ring	F	2
22	Plug	--	1
23	Screw M10-65	--	1
24	Washer	--	1
25	Head	--	1
26	Plug	--	1
27	O-Ring	F	3
28	Complete Valve	A	3
29	Hose Tail	--	1
30	O-Ring	F	1
31	Ball	F	1
32	Spring	F	1
33	O-Ring	F	1
34	Shutter	--	1
35	Spring	--	1
36	O-Ring	F	1
37	O-Ring	F	1
38	Injector	--	1
40	Complete Valve	A	3
41	Gasket	E	3
42	Piston Guide	--	1
43	O-Ring	E	3
44	Water Seal	E	3
45	Ring	E	3

Ref. No.	Description	Part No.	Qty.
46	Oil Seal	C	3
47	O-Ring	C	1
48	Pump Body	--	1
49	O-Ring	F	3
50	Plug	--	1
51	Plug	--	1
52	Plug	--	1
53	Screw	--	1
54	Spring	--	1
55	Piston	B	3
56	Ring	--	1
57	Fifth Wheel	--	1
58	Fifth Wheel	--	1
59	Fifth Wheel	--	1
60	Screw	--	1
61	Wobble Plate	--	1
62	Shaft	--	1
63	O-Ring	F	1
65	Bushing	--	1
66	Oil Seal	C	1
67	Spacer	--	1
69	Flange	--	1
70	Screw	--	1
78	Plug	--	1
79	Flange	--	1

REPLACEMENT PARTS KITS

A	Valve Kit - inc. 12 (6), 28 (3), 40 (3)	PM904400AV
B	Pistons Kit - inc. 55 (3)	PM904500AV
C	Oil Seals Kit - inc. 46 (3), 47 (1), 66 (1)	PM904600AV
E	Water Seals Kit - inc. 41 (3), 43 (3), 44 (3), 45 (3)	PM904700AV
F	O-Ring Kit - 9 (1), 10 (1), 12 (7), 13 (1), 14 (1), 15 (1), 16 (2), 19 (1), 21 (2), 27 (3), 30 (1), 31 (1), 32 (1), 33 (1), 36 (1), 37 (1), 49 (3), 63 (1)	PM904800AV

REGISTER YOUR PRODUCT ONLINE NOW!
www.campbellhausfeld.com

Warranty

1. **DURATION:** From the date of purchase by the original purchaser as follows: Three (3) years pressure washer unit, two (2) years pump and motor, and 90 days for wear items.
2. **WHO GIVES THIS WARRANTY (WARRANTOR):** Campbell Hausfeld / Scott Fetzer Company, 100 Production Drive, Harrison, OH 45030, Telephone: 1-800-330-0712
3. **WHO RECEIVES THIS WARRANTY (PURCHASER):** The original purchaser (other than for purposes of resale) of the Campbell Hausfeld pressure washer.
4. **WHAT PRODUCTS ARE COVERED UNDER THIS WARRANTY:** Any Campbell Hausfeld Pressure Washer supplied or manufactured by the Warrantor.
5. **WHAT IS COVERED UNDER THIS WARRANTY:** Substantial defects on material and workmanship which occur within the duration of the warranty period with the exceptions noted below.
6. **WHAT IS NOT COVERED UNDER THIS WARRANTY:**
 - A. Implied warranties, including those of merchantability and FITNESS FOR A PARTICULAR PURPOSE ARE LIMITED FROM THE DATE OF ORIGINAL PURCHASE AS STATED IN THE DURATION. Some states do not allow limitation on how long an implied warranty lasts, so the above limitations may not apply to you.
 - B. ANY INCIDENTAL, INDIRECT, OR CONSEQUENTIAL LOSS, DAMAGE, OR EXPENSE THAT MAY RESULT FROM ANY DEFECT, FAILURE, OR MALFUNCTION OF THE CAMPBELL HAUSFELD pressure washer. Some States do not allow the exclusion or limitation of incidental or consequential damages, so the above limitation or exclusion may not apply to you.
 - C. Any failure that results from shipping damage, accident, purchaser's abuse, neglect or failure to install and operate pressure washer in accordance with instructions provided in the owner's manual(s) supplied with product.
 - D. Pre-delivery service, i.e. assembly, oil or lubricants and adjustment.
 - E. Items or service normally required to maintain the pressure washer.
 - F. Additional items not covered under the warranty:
 1. Normal wear items such as high pressure hoses, water and oil seals, o-rings, valves, lances and spray tips.
 2. Motor brushes (Electric models only).
 3. Cosmetic defects that do not interfere with functionality.
 4. Rusted components.
 5. Pump wear or valve damage caused by using improper oil, oil contamination or by failure to follow proper oil maintenance guidelines.
7. **RESPONSIBILITIES OF WARRANTOR UNDER THIS WARRANTY:** Repair or replace, at Warrantor's option, pressure washer or component which is defective, has malfunctioned and/or failed to conform within duration of the warranty period.
8. **RESPONSIBILITIES OF PURCHASER UNDER THIS WARRANTY:**
 - A. Provide dated proof of purchase and maintenance records.
 - B. Deliver or ship the Campbell Hausfeld pressure washer or component to nearest Campbell Hausfeld Authorized Service Center. Freight costs, if any, must be borne by the purchaser.
 - C. Use reasonable care in the operation and maintenance of the pressure washer as described in the owner's manual(s).
9. **WHEN WARRANTOR WILL PERFORM REPAIR OR REPLACEMENT UNDER THIS WARRANTY:** Repair or replacement will be scheduled and serviced according to the normal work flow at the servicing location, and depending on the availability of replacement parts.

This Limited Warranty applies in the U.S., Canada and Mexico only and gives you specific legal rights. You may also have other rights which vary from state to state or country to country.

REMINDER: Keep your dated proof of purchase for warranty purposes!
Attach it to this manual or file it for safekeeping.

Veillez lire et conserver ces instructions. Lire attentivement avant de commencer à assembler, installer, faire fonctionner ou entretenir l'appareil décrit. Protégez-vous et les autres en observant toutes les informations sur la sécurité. Négliger d'appliquer ces instructions peut résulter en des blessures corporelles et/ou en des dommages matériels ! Conserver ces instructions pour références ultérieures.



Nettoyeur haute pression à essence

ENREGISTREZ VOTRE PRODUIT EN LIGNE MAINTENANT !

<http://www.campbellhausfeld.com>



Description

Ces laveuses à pression électriques durables et puissantes sont conçues pour des projets industriels dans les ateliers de maintenance, les fermes, les étables, les cuisines commerciales, les entreprises de sérigraphie, l'équipement lourd et beaucoup plus. Elles ont l'approbation répondant aux normes UL et CSA.

Le moteur à induction robuste fonctionne silencieusement, de manière efficace et sans émissions de carburant. Il est couvert d'un capot d'acier, revêtu de poudre pour protéger et prolonger la vie de l'appareil et fournit un rangement d'embouts. La pompe de qualité commerciale a des pistons de céramique pour fournir une longue durée de vie de la pompe. La pompe et le moteur sont montés sur un chariot à cadre d'acier revêtu de poudre, robuste. Le chariot comprend des roues pneumatiques et une poignée repliable pour un rangement compact. Le pistolet/la lance, le boyau haute pression et le cordon se rangent tous sur le chariot.

LIRE ET SUIVRE TOUTES LES INSTRUCTIONS.

CONSERVER CES INSTRUCTIONS NE LES JETEZ PAS

Directives de Sécurité

Ce manuel contient de l'information très importante qui est fournie pour la SÉCURITÉ et pour ÉVITER LES PROBLÈMES D'ÉQUIPEMENT. Rechercher les symboles suivants pour cette information.

⚠ DANGER *Danger indique une situation hasardeuse imminente qui RÉSULTERA en perte de vie ou blessures graves.*

⚠ AVERTISSEMENT *Avertissement indique une situation hasardeuse potentielle qui PEUT résulter en perte de vie ou blessures graves.*

Figure 1

Spécifications

Modèle	Pompe	Volt	Dimensions du bec	Pression	Débit
CP5211	2HP CAT 4DXI5EUIF	120V	n° 2.0	2000 psi / 13,790 kPa	5,68/min (1,5 g/min)
CP5216	2HP AR XJV16	120V	n° 2.0	1900 psi / 13,100 kPa	5,68/min (1,5 g/min)
CP5321	5HP CAT 4DNX25GSI	230V	n° 3.0	2900 psi / 19,995 kPa	9,46/min (2,5 g/min)

Veillez inscrire le No de modèle et le No de série à utiliser pour contacter le fabricant:

N° de modèle: _____

N° de série: _____

Date d'achat: _____

Lieu d'achat: _____

Pour obtenir de l'information sur le produit, veuillez appeler le 1-800-330-0712.

MÉMENTO: Gardez votre preuve datée d'achat à fin de la garantie!
Joignez-la à ce manuel ou classez-la dans un dossier pour plus de sécurité.

LIRE ET SUIVRE TOUTES LES INSTRUCTIONS • CONSERVER CES INSTRUCTIONS • NE PAS JETER

Directives de Sécurité (Suite)

▲ ATTENTION *Attention indique une situation hasardeuse potentielle qui PEUT résulter en blessures.*

AVIS *Avis indique de l'information importante pour éviter le dommage de l'équipement.*

REMARQUE : Remarque indique : des renseignements additionnels concernant le produit ou son utilisation.

Généralités sur la Sécurité

INSTRUCTIONS PORTANT SUR UN RISQUE D'INCENDIE, UN CHOC ÉLECTRIQUE OU DES BLESSURES AUX PERSONNES


Ce manuel contient des informations concernant la sécurité, le fonctionnement et l'entretien. Si vous avez des questions, appeler le 1-800-330-0712 pour le service à la clientèle.

▲ AVERTISSEMENT *En utilisant les outils, il faut suivre les précautions de base, y compris ce qui suit :*



PROPOSITION 65 DE CALIFORNIE

▲ AVERTISSEMENT *Ce produit et son cordon contient du plomb, un produit chimique qui de l'avis de l'État de Californie peut causer le cancer et des anomalies congénitales ou d'autres problèmes pour la reproduction. Se laver les mains après toute manipulation.*


GÉNÉRALITÉ


- Pour réduire les risques de chocs électriques, d'incendie ou de blessures aux personnes, lire toutes les instructions avant d'utiliser l'outil. Ne pas suivre les avertissements, les dangers et les mises en garde pourrait causer la MORT ou de GRAVES BLESSURES. 
- Se familiariser avec ce produit, ses commandes et son utilisation. Suivez toutes les instructions. Contacter votre représentant Campbell Hausfeld si vous avez des questions.
- Seules les personnes familières avec ces règles d'utilisation sans danger devraient utiliser cette unité.
- Suivez tous les codes de sécurité ainsi que l'Occupational Safety and Health Act (OSHA).

AIRE DE TRAVAIL

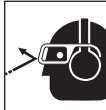
- Gardez le secteur d'opération libre de toutes personnes.
- Gardez l'aire de travail propre et bien éclairée. Les établis encombrés et les coins sombres augmentent les risques de chocs électriques, d'incendie et de blessures aux personnes. 
- Ne pas faire fonctionner l'outil dans une atmosphère explosive comme en présence de liquides, gaz ou poussières inflammables. L'outil peut produire des étincelles menant à une inflammation de poussières ou de fumées. 
- NE pulvériser JAMAIS de liquides inflammables et n'utilisez jamais le pulvérisateur haute pression dans des endroits contenant de la poussière, des liquides ou des vapeurs combustibles.
- Ne faites jamais fonctionner cet appareil dans un édifice fermé ou dans ou près d'un environnement explosif.

SÉCURITÉ PERSONNELLE

- Rester vigilant. Il faut regarder ce que vous faites et utiliser son sens commun en faisant fonctionner un outil. Ne pas faire fonctionner l'appareil si vous êtes fatigué ou sous l'influence de drogues, d'alcool ou de médicaments. Un moment d'inattention en faisant fonctionner l'outil augmente le risque de blessures.
- Il faut s'habiller correctement. Ne pas porter de bijoux ou de vêtements amples. Attacher les cheveux longs. Garder les cheveux, les vêtements et les gants loin des pièces mobiles. Les vêtements amples, les bijoux ou les cheveux longs augmentent le risque de blessures si quelque chose se prend dans les pièces mobiles.
- Ne pas trop se pencher. Garder bon pied et bon équilibre en tout temps. Ceci permet d'avoir un meilleur contrôle de l'outil dans les situations imprévues. 

▲ AVERTISSEMENT *Risque d'injection ou de blessures graves. Restez loin du gicleur. Ne déchargez pas de jets vers les personnes. Ce produit doit être utilisé seulement par un opérateur formé. Retirez toujours la lance dufusil avant de nettoyer les débris du bec.* 


- Restez loin du gicleur. NE dirigez JAMAIS le jet haute pression vers une personne, un animal, ou vous-même.
- Ne mettez JAMAIS votre main ou vos doigts sur le bec de pulvérisation lorsque l'unité est en fonction.
- N'essayez jamais d'arrêter ou de dévier les fuites vers toute partie du corps.

▲ AVERTISSEMENT *S'assurer que l'outil n'est utilisé que lorsque l'opérateur et tout autre personnel dans l'aire de travail portent un équipement de protection oculaire ANSI Z87, et s'il y a lieu, d'autre équipement de protection approprié comme une protection de la tête, auditive, des gants, des bottes de caoutchouc, des vêtements protecteurs en utilisant et exécutant la maintenance. De graves blessures oculaires ou une perte auditive permanente pourraient en résulter.* 

SÉCURITÉ ÉLECTRIQUE

INSTRUCTIONS DE MISE À LA TERRE

Ce produit doit être mis à la terre. S'il y a des défaillances ou des pannes, la mise à la terre donne une voie de moindre résistance au courant électrique ce qui réduit les risques de choc électrique. Ce produit est doté d'un cordon à conducteur de terre pour l'équipement et d'une fiche de mise à la terre. La fiche doit être branchée dans une prise appropriée bien installée et mise à la terre conformément à tous les codes et ordonnances locaux.

▲ DANGER *Une connexion inappropriée du conducteur de terre de l'équipement peut mener à un risque de choc électrique. Consultez un électricien ou un personnel de service qualifié si vous avez des doutes quant à la mise à la terre appropriée de la prise. Ne modifiez pas la fiche fournie avec le produit - si elle n'entre pas correctement dans la prise, faites installer une prise convenable par un électricien qualifié. N'utilisez pas tout type d'adaptateur avec ce produit.* 

Directives de Sécurité (Suite)

⚠ AVERTISSEMENT *Risque d'électrocution :*

- Ce produit est fourni avec un disjoncteur de fuite à la terre intégré dans la prise du cordon. Assurez-vous d'inspecter le cordon et le disjoncteur de fuite à la terre avant de l'utiliser. Toute réparation ou tout remplacement du cordon doit se faire par un technicien électrique qualifié (agrée ou certifié). S'il faut remplacer la fiche ou le cordon, utilisez seulement des pièces de rechange identiques.
- NE JAMAIS utiliser de rallonge avec ce produit.
- Brancher l'appareil seulement à une prise mise à la terre correctement. Ne pas retirer la broche de terre.
- Inspecter le cordon avant d'utiliser l'appareil - Ne pas utiliser si le cordon est endommagé.
- Garder toutes les connexions électriques sèches et loin du sol.
- Ne pas toucher la fiche avec les mains humides.
- Ne pas pulvériser d'appareils électriques et de câblage.

UTILISATION ET ENTRETIEN DE L'OUTIL

⚠ AVERTISSEMENT *N'utilisez pas de pression qui dépasse la pression d'exploitation de toute pièce (flexibles, raccords, etc.) du système sous pression. Assurez-vous que tout équipement et accessoires sont du calibre voulu pour résister à la pression d'exploitation maximum de l'appareil.*

- Il faut entretenir l'outil avec soin. Un outil bien entretenu réduit le risque de problèmes et est plus facile à contrôler.
- Assurez-vous que tous les dispositifs de sécurité fonctionnent correctement avec chaque utilisation. NE retirez PAS et ne modifiez pas toute pièce du pistolet ou de l'appareil.
- NEVER operate the machine without all components properly connected to the machine (handle, gun/wand assembly, nozzle, etc.).
- Pointer le pistolet dans une direction sans danger. L'unité commencera à pulvériser lorsque la gâchette est pressée si l'interrupteur « marche/arrêt » est à la position « ON » (Pulvérisateur à pression (marche)).
- Sachez comment arrêter ce produit et dégager rapidement la pression. Soyez bien au fait des contrôles.
- Engagez toujours le verrou de sécurité de la gâchette en position sûre à la fin de la pulvérisation même si ce n'est que pour quelques instants.
- N'engagez jamais en permanence le mécanisme de la gâchette sur le pistolet.
- Suivez toujours les recommandations du fabricant de détergents pour la bonne utilisation du produit. Protégez toujours les yeux, la peau et le système respiratoire du détergent.
- Ne débranchez jamais le flexible de décharge de haute pression de la machine tandis que le système est sous pression. Pour décompresser, coupez le courant et l'eau, puis pressez la gâchette du pistolet 2 ou 3 fois.
- Débrancher l'appareil lorsqu'il n'est pas utilisé.
- Suivez les instructions d'entretien spécifiées dans le manuel.

AVIS

Domage à l'équipement.

- Mettez TOUJOURS l'eau à "ON" avant de mettre le pulvérisateur haute pression en marche "ON". **Faire fonctionner la pompe à sec cause de graves dommages.**
- Ne faites pas fonctionner le pulvérisateur haute pression avec l'écran d'entrée d'eau retiré. Gardez l'écran libre de tous débris et sédiments.
- NE faites JAMAIS fonctionner le pulvérisateur haute pression avec des pièces brisées ou manquantes. Vérifiez régulièrement l'équipement et réparez immédiatement toutes pièces usées ou endommagées.
- Utilisez seulement le gicleur fourni avec l'appareil.
- Ne laissez jamais la rallonge sans surveillance tandis que la machine est en marche.
- Tenez toujours le pistolet et la rallonge bien fermement en démarrant et en faisant fonctionner l'appareil.
- Ne laissez JAMAIS l'appareil fonctionner avec la gâchette dégagée (arrêt) pendant plus d'une minute. L'accumulation de chaleur pourrait endommager la pompe.
- Dégagez la gâchette en changeant de haute à basse pression sinon vous pourriez endommager le gicleur.
- NE rangez JAMAIS le pulvérisateur haute pression à l'extérieur ou à des endroits où il pourrait geler. Le gel peut endommager gravement la pompe.

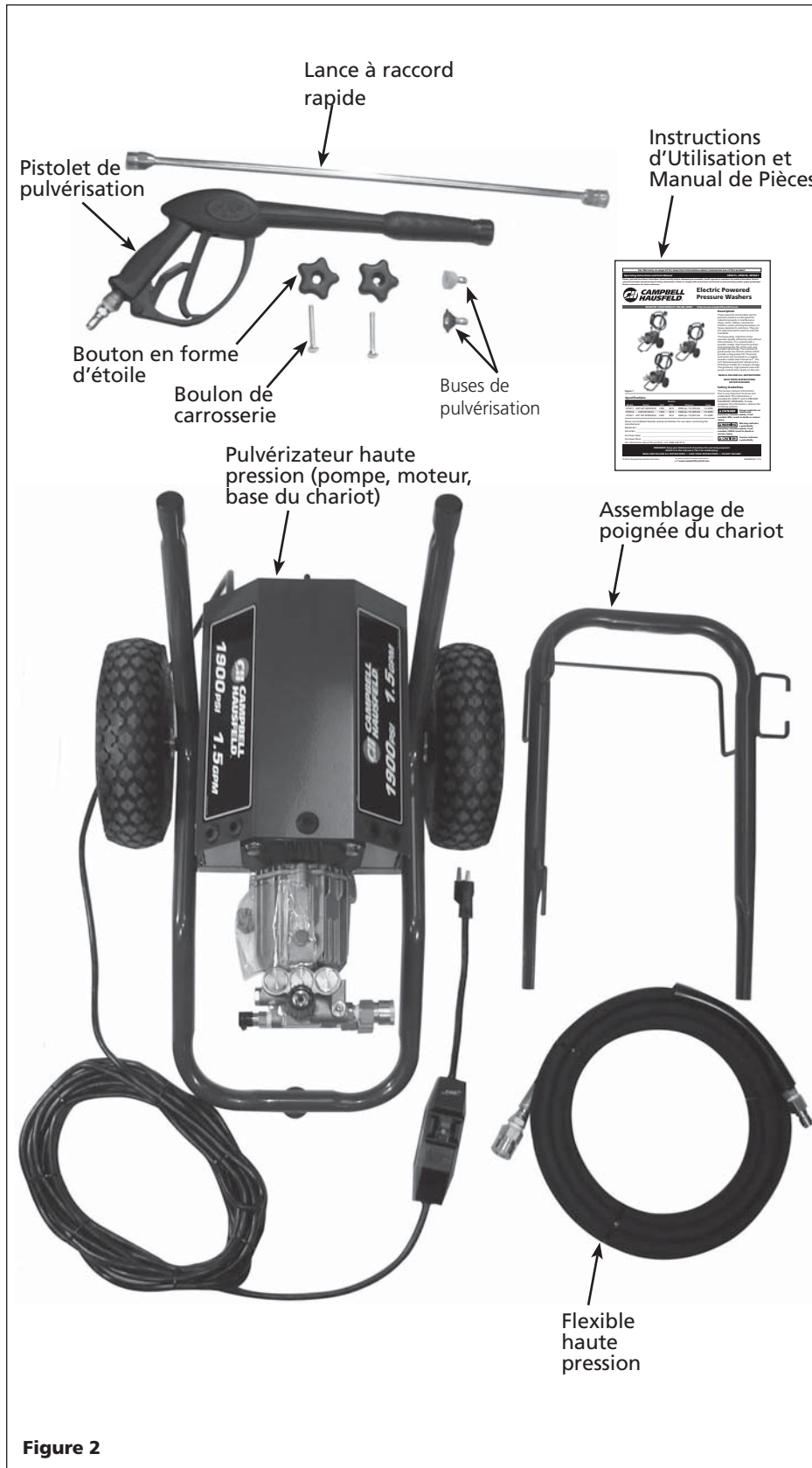
SERVICE

- En réparant ou faisant l'entretien d'un outil, utiliser seulement des pièces de rechange identiques. Utiliser seulement des pièces autorisées.

Les symboles **DANGER, AVERTISSEMENT, ATTENTION ET AVIS** ainsi que les instructions de ce manuel ne peuvent pas couvrir toutes les conditions et situations qui pourraient se produire. L'opérateur doit comprendre que les précautions sont des facteurs qui ne peuvent pas être inclus dans ce produit, mais doivent être fournis par l'opérateur.

CONSERVER CES INSTRUCTIONS NE LES JETEZ PAS

Déballage



Dès que l'appareil est déballé, inspectez-le attentivement pour tout signe de dommages en transit. Vérifiez s'il y a des pièces desserrées, manquantes ou endommagées. Assurez-vous de resserrer tous les raccords, boulons, etc. avant d'utiliser la laveuse à pression. Vérifiez pour vous assurer que tous les accessoires fournis sont inclus avec l'appareil. S'il manque toute pièce, **NE RETOURNEZ PAS L'APPAREIL AU DÉTAILLANT**. Consultez le numéro de modèle de l'appareil (sur l'étiquette du numéro de série du cadre de la laveuse à pression) et appelez le 1-800-330-0712 pour les pièces de rechange.

AVERTISSEMENT *Ne pas utiliser l'appareil s'il est endommagé pendant le transport, la manutention ou l'utilisation. Des dommages peuvent entraîner un éclatement et provoquer des blessures ou des dommages à la propriété.*

CONTENU DE LA BOÎTE

- ◆ Un pulvérisateur haute pression (pompe, moteur, base du chariot)
- ◆ Un assemblage de poignée du chariot
- ◆ Un pistolet de pulvérisation et une lance à raccord rapide
- ◆ Deux buses de pulvérisation pour le modèle CP5216
Quatre buses de pulvérisation pour le modèle CP5321
Cinq buses de pulvérisation pour le modèle CP5211
- ◆ Un flexible haute pression
- ◆ Un paquet d'écrous, boulons et manuels

AUTRES ARTICLES NON INCLUS

- ◆ ANSI Z87 Protection oculaire
- ◆ Boyau d'arrosage

Figure 2

Apprendre à connaître votre laveuse à pression

UTILISATIONS RECOMMANDÉES POUR CETTE LAVEUSE À PRESSION

- ◆ Terrasse
- ◆ Revêtement
- ◆ Véhicules

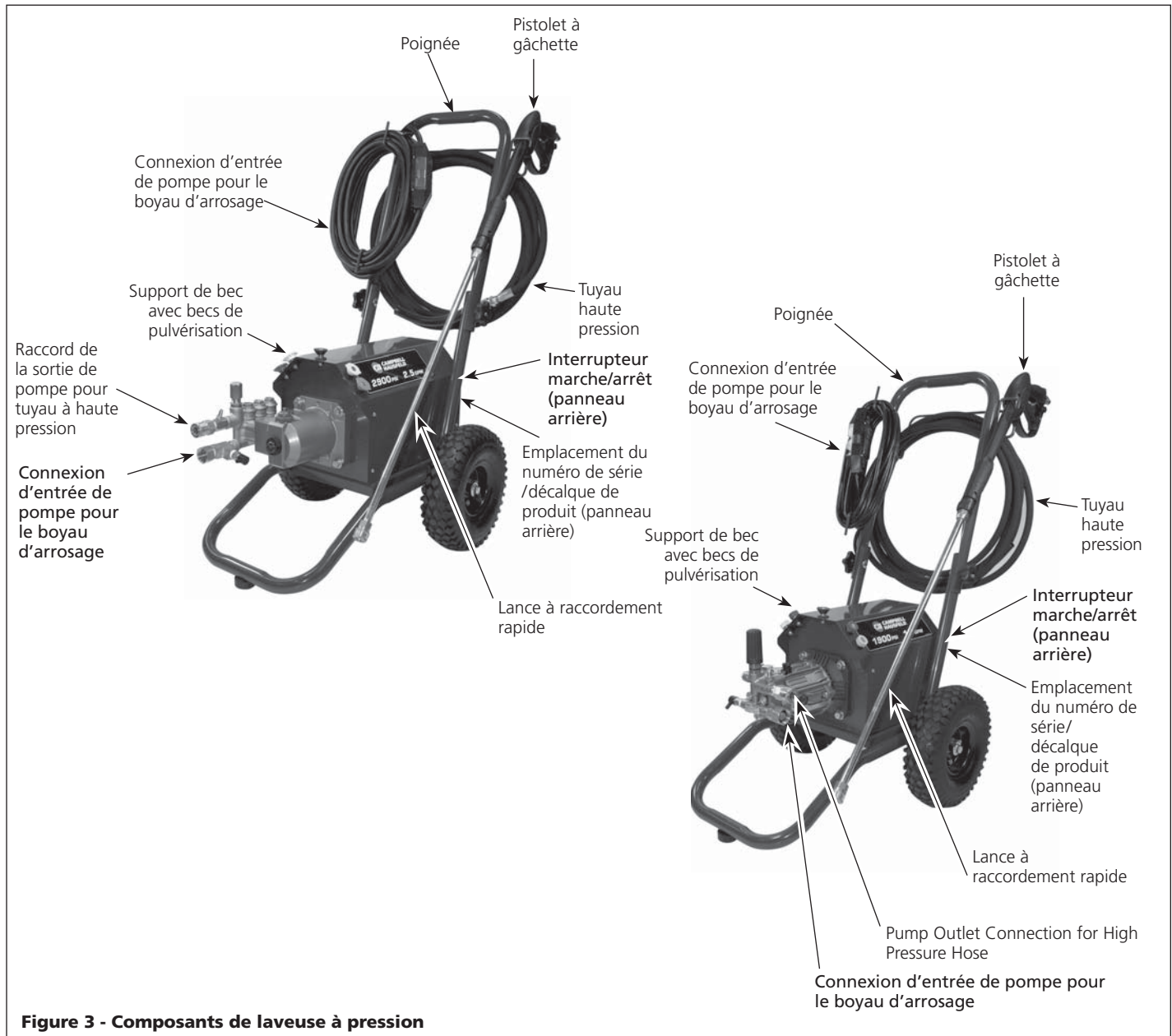


Figure 3 - Composants de laveuse à pression

Glossaire

Familiarisez-vous avec ces termes avant d'utiliser l'appareil.

G/MIN (GALLONS À LA MINUTE) - Plus d'eau à la minute peut se traduire par un nettoyage plus rapide, tout particulièrement en lavant des matériaux comme la boue et le goudron.

DISJONCTEUR DE FUITE À LA TERRE (GFCI) - Le disjoncteur de fuite à la terre protège l'utilisateur de toute électrocution accidentelle (pour les laveuses à pression alimentées par l'électricité seulement).

KPA (KILOPASCAL) - Une unité de mesure pour la pression. Elle détermine combien de pression appliquer directement sur la surface à nettoyer. La pression livrée par la laveuse à pression est directement responsable de la séparation du lien entre les débris et la surface à nettoyer.

Assemblage et préopération

ASSEMBLAGE ET PRÉOPÉRATION

1. Glissez l'assemblage de poignée sur les pieds inférieurs de la base du chariot. Utilisez le bouton en étoile (fourni) et les boutons pour fixer la poignée aux pieds (voir la figure 4).
2. Glissez le boyau de détergent de plastique transparent sur la barbelure de boyau de laiton (voir Figure 5).
3. Insérez les buses de pulvérisation à raccordement rapide dans les supports en caoutchouc à l'avant de l'affiche (voir Figure 6).
4. Fixez le tuyau d'arrosage (non inclus) au raccord d'entrée de la pompe (voir Figure 7).
5. Connectez le flexible haute pression à la sortie de la pompe (voir la Figure 8).
6. Fixez la lance au pistolet (voir la Figure 9).
7. Installez le bec à raccordement rapide (voir la figure 10).

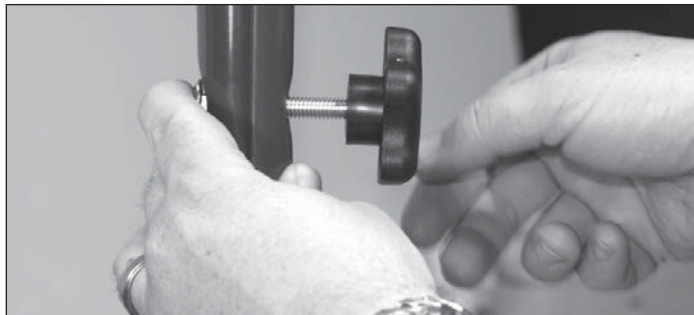


Figure 4 - Assemblez la poignée

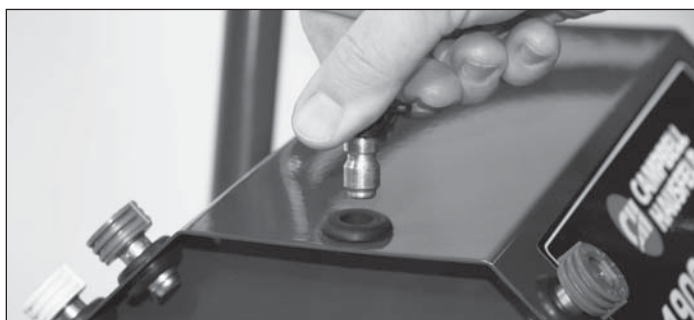
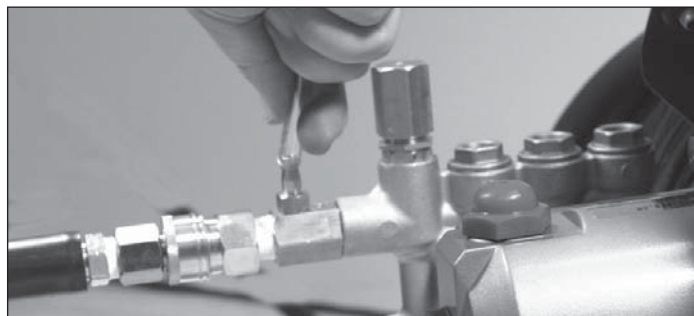


Figure 6 - Insérez les buses de pulvérisation dans le support

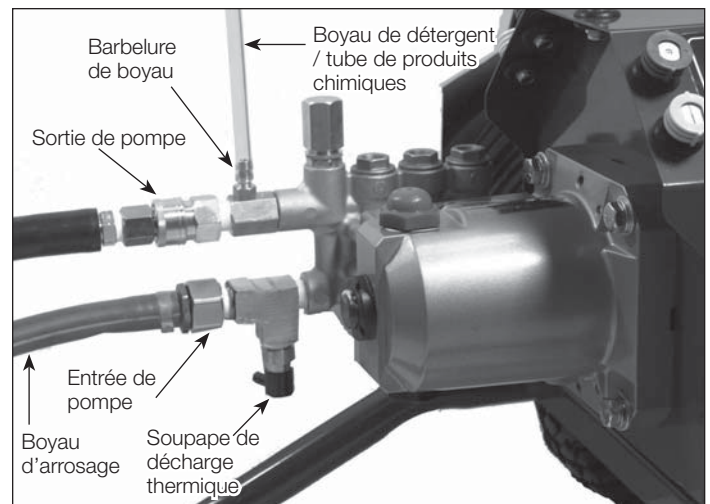


Figure 7 - Raccord de pompe

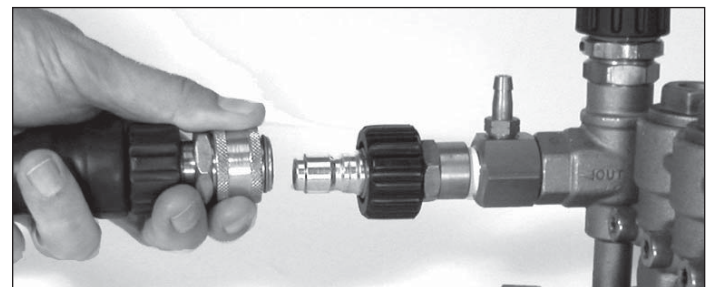


Figure 8 - Raccorder le tuyau haute pression à la pompe



Figure 9 - Fixer la lance au pistolet

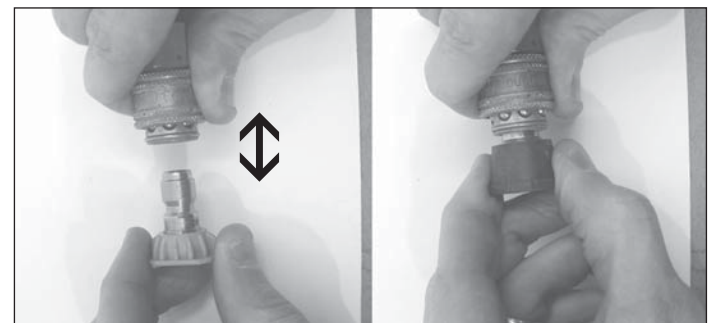


Figure 10 - Buse à raccordement rapide

Assemblage et préopération (Suite)

VERROU DE SÉCURITÉ DE LA GÂCHETTE

En position engagée, le verrou de sécurité de la gâchette empêche le déclenchement accidentel du pistolet. Poussez entièrement le verrou vers le bas pour l'engager (voir les Figures 11 et 12).



Figure 11 - Gâchette verrouillée

Engagez toujours le verrou de sécurité de la gâchette lorsque vous n'utilisez pas l'appareil.



Figure 12 - Gâchette déverrouillée

Opération

PRÉPARATION DE LA SURFACE

La procédure de nettoyage suivante vous aide à vous organiser pour la tâche de nettoyage et pour vous assurer d'atteindre les meilleurs résultats dans le temps le plus court. Rappelez-vous d'utiliser les techniques de pulvérisation/nettoyage mentionnées dans les sections suivantes.

Avant de commencer un travail de nettoyage à haute pression, préparez la surface à nettoyer. Enlevez les meubles et assurez-vous que toutes les fenêtres et portes sont bien fermées. Protégez aussi toutes vos plantes et arbres près du secteur à nettoyer en couvrant d'une toile pour ne pas les pulvériser de détergent.

DÉMARRAGE

Utilisez TOUJOURS cette procédure de démarrage pour assurer un démarrage exact et sans danger.

AVIS

Si l'eau a gelé dans le pulvérisateur à haute pression, laissez-la dégeler à température ambiante avant de commencer. NE versez PAS d'eau chaude sur ou dans la pompe; les pièces intérieures seraient endommagées.

1. Assurez-vous que l'interrupteur de courant est à la position « OFF » (arrêt).
2. Fixez un tuyau d'arrosage côté entrée de la pompe et raccordez-le à l'alimentation d'eau. Utilisez un flexible de D.I. de 5/8 po (15,9 mm) et d'une longueur de 50 pi (15 m) ou moins.

⚠ AVERTISSEMENT

Certains codes de plomberie locaux exigent un dispositif de prévention de retour d'eau en connectant à une source d'eau fraîche. Installez un dispositif de prévention de retour en amont de la pompe, au besoin.

- a. Si la pression d'eau d'alimentation dépasse 690 kPa, installez une soupape régulatrice d'eau au raccord du tuyau d'arrosage.
- b. Ne dépassez pas 38° C de température d'eau d'alimentation.

NOTE : L'approvisionnement d'eau d'alimentation doit avoir un débit minimum de 19 lpm (5 gpm).

3. Ouvrez l'alimentation d'eau.

AVIS

Ne laissez jamais l'appareil fonctionner à sec. Assurez-vous que l'alimentation d'eau est en marche avant de faire fonctionner l'appareil.

4. Déclenchez le fusil jusqu'à ce que l'eau sorte de la buse, indiquant que l'air est sorti du système. Placez le verrou de sécurité de gâchette.
5. Branchez le cordon d'alimentation dans une prise 120 V mise à la terre (CP5211 et CP5216 seulement, le CP5321 demande une prise 230 V), soit sur un circuit dédié. Enfoncez le bouton de réinitialisation sur l'adaptateur de fiche à disjoncteur de fuite à la terre. Vous devez faire cela chaque fois que l'appareil est branché dans une prise.

RINÇAGE INITIAL À HAUTE PRESSION

Pulvérisez d'eau la surface à nettoyer pour enlever toute poussière ou saleté accumulée sur la surface. Ceci permet au détergent de s'attacher à la poussière en profondeur qui a pénétré dans la surface à nettoyer.

Enfoncer la gâchette du pistolet 3 à 5 fois pour sortir tout air enfermé dans le système.

AJUSTER L'ANGLE D'ÉVENTAIL DE PULVÉRISATION

Deux buses de raccordement rapide pour le modèle CP5216, quatre buses de raccordement rapide pour le modèle CP5321 et cinq buses de raccordement rapide pour le modèle CP5211 sont incluses avec ce dispositif de pulvérisation à pression. Les buses ont une plage d'angles d'éventail de pulvérisation, allant de 0°, étroit et fort impact, à 65° large éventail de pulvérisation.

La pression s'ajuste aussi en se déplaçant plus près ou plus loin de la surface de nettoyage et en ajustant l'angle d'éventail de pulvérisation tel qu'indiqué.

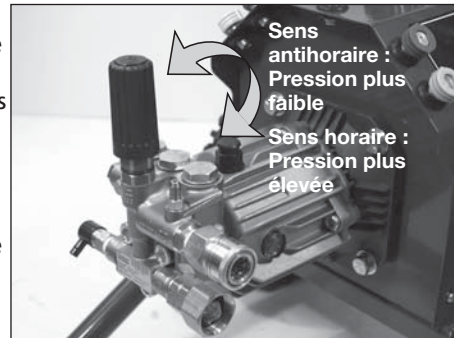


Figure 13 - Ajustement de pression pour le modèle CP5216



Figure 14 - Jet étroit à fort impact

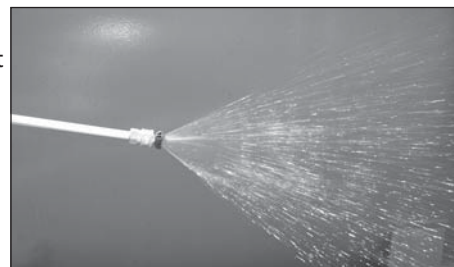


Figure 15 - Motif à éventail large

Opération (Suite)

ANGLE À LA SURFACE DE NETTOYAGE

En pulvérisant l'eau contre une surface, vous pouvez obtenir un impact maximum en frappant la surface directement. Ce type d'impact peut toutefois faire pénétrer les particules de poussières dans la surface et ainsi empêcher d'avoir l'action recherchée.

L'angle optimum de pulvérisation d'eau contre une surface de nettoyage est de 45 degrés.

Pulvérisez l'eau contre une surface à un angle de 45 degrés pour atteindre le meilleur impact et retirer efficacement les débris.



Figure 16 - Angle optimum par rapport à la surface à nettoyer

DISTANCE DE LA SURFACE À NETTOYER

La distance entre le bec de pulvérisation et la surface de nettoyage est un autre facteur qui touche la force d'impact de l'eau. La force d'impact de l'eau augmente à mesure que le bec se rapproche de la surface.

COMMENT ÉVITER D'ENDOMMAGER LES SURFACES

Les dommages aux surfaces à nettoyer se produisent à cause de la force d'impact de l'eau qui dépasse la durabilité de la surface. Vous pouvez varier la force d'impact en contrôlant l'angle du bec de pulvérisation par rapport à la surface de nettoyage et par rapport à la distance de la surface de nettoyage ainsi qu'en changeant le bec de pulvérisation.

N'utilisez JAMAIS de jet étroit à fort impact sur une surface qui pourrait être endommagée. Évitez de pulvériser les fenêtres avec un jet étroit à fort impact. Ceci pourrait casser la fenêtre. Le meilleur moyen d'éviter d'endommager les surfaces est de suivre ces étapes :

1. Avant d'enclencher le fusil, assurez-vous que le bec à raccordement rapide que vous utilisez soit approprié pour l'application.
2. Éloignez le bec de pulvérisation d'environ 1,22 à 1,52 m (4 à 5 pi) de la surface de nettoyage. Puis, maintenez la lance et le bec de pulvérisation à un angle de 45° par rapport à la surface de nettoyage. Tirez de la gâchette du pistolet.
3. Variez l'angle du jet à éventail et la distance à la surface à nettoyer jusqu'à ce que vous atteigniez l'efficacité optimale de nettoyage sans endommager la surface.

APPLICATION DE DÉTERGENT

REMARQUE : Utilisez seulement les détergents formulés pour les pulvérisateurs haute pression. Testez le détergent dans un endroit retiré avant de l'utiliser. Ne pas utiliser de javellisant avec cette laveuse à pression.

DÉTERGENTS

Utiliser des détergents peut réduire de beaucoup le temps de nettoyage et aider à retirer les taches rebelles. De nombreux détergents sont faits pour le pulvérisateur haute pression pour des tâches de nettoyage précises. Les détergents de pulvérisateur haute pression sont aussi épais que l'eau. Le

fait d'utiliser des détergents plus épais - comme le savon de vaisselle - bloquera le système d'injection chimique et empêchera l'application de détergent.

Appliqués sur la surface, les détergents prennent du temps pour s'attaquer à la poussière et à la saleté. Les détergents fonctionnent mieux appliqués à basse pression.

Vous pouvez nettoyer efficacement les surfaces en combinant l'action chimique des détergents avec les rinçages à haute pression. Pour les surfaces verticales, appliquez le détergent en commençant au bas pour aller vers le haut. La méthode empêche le détergent de glisser vers le bas et de faire des coulisses. Commencez le rinçage à haute pression dans le haut en descendant. Pour les taches particulièrement rebelles, utilisez une brosse en plus des détergents et du rinçage haute pression.

1. Suivez les directives du fabricant sur l'étiquette pour les bonnes concentrations de mélange de savon/détergents. La proportion de détergent savon à eau dans la pompe est d'environ 10% (1 à 10).
2. Insérez l'extrémité du filtre du tube de détergent de plastique transparent dans le contenant de détergent.
3. Utilisez le bec noir de pulvérisation à raccordement rapide de 65°.

CONSEILS GÉNÉRAUX DE NETTOYAGE

1. Appliquez le détergent pour couvrir entièrement la surface à nettoyer, de bas en haut pour éviter qu'il ne glisse vers le bas et fasse des marques. Attendez quelques minutes pour que le détergent s'attaque à la poussière et à la saleté. Utilisez une brosse pour frotter un peu les endroits rebelles. Ne laissez jamais le détergent sécher sur la surface à nettoyer.
2. Pour rincer : Remplacez le bec noir de pulvérisation de 65° par un bec d'une autre couleur.

⚠ AVERTISSEMENT

Ne jamais remplacer le bec à raccordement rapide lorsque le fusil est enclenché. Engagez toujours le verrou d'enclenchement sur le fusil avant de retirer ou d'installer des becs à raccordement rapide. Ne jamais remplacer le bec à raccordement rapide lorsque le fusil est enclenché. Engagez toujours le verrou d'enclenchement sur le fusil avant de retirer ou d'installer des becs à raccordement rapide.

3. Après l'utilisation de détergents, rincez le système d'aspiration en plaçant le tube d'aspiration du détergent dans un seau d'eau propre et en pulvérisant au moyen du bec noir de pulvérisation.

PUISSANCE DE NETTOYAGE

Le moyen le plus facile de contrôler la puissance de nettoyage de votre nettoyeur à pression est de changer la distance de la surface à nettoyer. Commencez à pulvériser avec un motif large d'éventail tout en vous plaçant à quelques pieds de la surface. Rapprochez-vous lentement de l'objet que vous nettoyez et ajustez le motif de pulvérisation au besoin jusqu'à ce que vous trouviez la technique de nettoyage la plus efficace.

REMARQUE : L'appareil pourrait aussi avoir un bouton d'ajustement de pression sur la pompe qui peut ajuster la pression.

DERNIER RINÇAGE

Le rinçage final doit se réaliser de haut en bas. Assurez-vous de bien rincer toute la surface et de retirer toute trace de détergent.

Opération (Suite)

PROCÉDURE DE DÉCOMPRESSION

Pour réduire les risques de blessures ou de dommages à la propriété, suivez toujours cette procédure lorsque la pulvérisation est arrêtée, à la fin du travail et avant de vérifier ou réparer toute pièce du système.

1. Engagez le verrou de sécurité de la gâchette.
2. Fermez l'appareil.
3. Coupez l'alimentation d'eau.
4. Désengagez le verrou de sécurité de la gâchette et pressez sur la gâchette pour décompresser.
5. Réengagez le verrou de sécurité de la gâchette.
6. En vérifiant ou réparant l'appareil, retirez la fiche de la prise murale du mur.
7. Avant de ranger pour la nuit, un rangement à long terme ou le transport de l'appareil, coupez de l'alimentation d'eau.

ARRÊT

1. Assurez-vous que tout le détergent est vidé du système.
2. Coupez le moteur.
3. Fermez l'alimentation d'eau.
4. Après avoir coupé le moteur et l'alimentation d'eau, engagez le pistolet pour retirer la pression du système.

AVIS

NE fermez jamais l'alimentation d'eau avant de couper le moteur. Cela pourrait endommager la pompe et/ou moteur.

ATTENTION

NE déconnectez jamais le flexible de décharge de haute pression de l'appareil tandis que le système est sous pression. Décompressez en coupant le moteur, fermant l'alimentation d'eau et pressant la gâchette 2 ou 3 fois.

5. Après chaque utilisation, essuyez les surfaces du pulvérisateur haute pression avec un chiffon propre et humide.

RANGEMENT

- Ne rangez pas le pulvérisateur haute pression à l'extérieur.
- Ne rangez pas le pulvérisateur haute pression à un endroit où il pourrait geler à moins de le préparer pour l'hiver.

INSTRUCTIONS POUR L'HIVER

1. Déconnectez le flexible haute pression de la pompe.
2. Insérez une longueur de tuyau d'arrosage de 12 à 14 po dans l'entrée de la pompe.
3. Placez un entonnoir dans l'autre extrémité du tuyau d'arrosage.

AVIS

Lisez les instructions du fabricant pour manipuler et éliminer correctement

l'antigel RV.

4. Versez environ 0,18 L d'antigel RV dans l'entonnoir.
5. Secouez un peu l'interrupteur marche/arrêt jusqu'à ce que l'antigel RV sorte de la sortie de la pompe.
6. Déconnectez le flexible haute pression du pistolet et drainez le flexible. Tenez le pistolet et la tige en position verticale et pressez la gâchette pour drainer toute l'eau.

CONSEILS POUR PROLONGER LA DURÉE DE VIE DE VOTRE PULVERIZATEUR HAUTE PRESSION

1. Ne faites jamais fonctionner l'appareil sans eau.

2. Votre pulvérisateur haute pression ne doit pas pomper d'eau chaude. Ne connectez jamais votre pulvérisateur haute pression à une source d'eau chaude car cela réduira de beaucoup la vie de la pompe.
3. Faire fonctionner l'appareil pendant plus d'une minute sans pulvériser d'eau fera accumuler la chaleur dans la pompe. Faire fonctionner l'unité sans vaporiser de l'eau diminuera la vie des composants de la pompe.

Entretien

Respectez les intervalles d'entretien régulier pour assurer une performance maximum et une longue durée de vie du pulvérisateur. Reportez-vous à l'horaire d'entretien recommandé. Si vous faites fonctionner votre pulvérisateur haute pression dans des conditions poussiéreuses, faites les vérifications d'entretien plus souvent.

HORAIRE D'ENTRETIEN

HORAIRE D'ENTRETIEN	ACTION NÉCESSAIRE
Chaque jour	Vérifiez le tamis d'entrée d'eau et le filtre

INFORMATION TECHNIQUE ET POUR LES CONSOMMATEURS

LAVEUSES À PRESSION À ORIENTATION HORIZONTALE	
CAPACITÉ D'HUILE DE LA POMPE	
XJV	Huile de 0,133 l (4,5 oz liq)
4DX et 4DNX	Huile de pompe CAT de 0,25 l (8,5 oz liq)
ASPIRATION DE DÉTERGENT DE LA POMPE	
Rapport d'eau à détergent	10 à 1 (10 % détergent)
EXIGENCES D'ALIMENTATION D'AIR	
Pression d'entrée minimale	138 kPa (20 lb/po ²)
Pression d'entrée maximale	690 kPa (100 lb/po ²)
Température d'entrée maximale	37,7 °C (100 °F)
Débit d'entrée minimal	5 g/min (19 l/min)
Taille de boyau d'arrosage d'entrée	15,9 mm (5/8 po) de D.I.
Longueur de boyau d'arrosage d'entrée maximale	15,24 m (50 pi)

SERVICE TECHNIQUE

Pour des informations concernant le fonctionnement ou la réparation de ce produit, composer le 1-800-330-0712.

INFORMATION CONCERNANT LES PIÈCES DE RECHANGE

Pour des renseignements sur la commande de pièces de rechange, appeler sans coût le numéro 1-800-330-0712.

S'il vous plaît fournir l'information suivante:

- Numéro de Modèle
- Code estampé
- No. et Description de Pièce

Correspondance Concernant les Pièces:
Campbell Hausfeld
100 Production Drive
Harrison, Ohio 45030 U.S.A.

Diagrammes de branchement

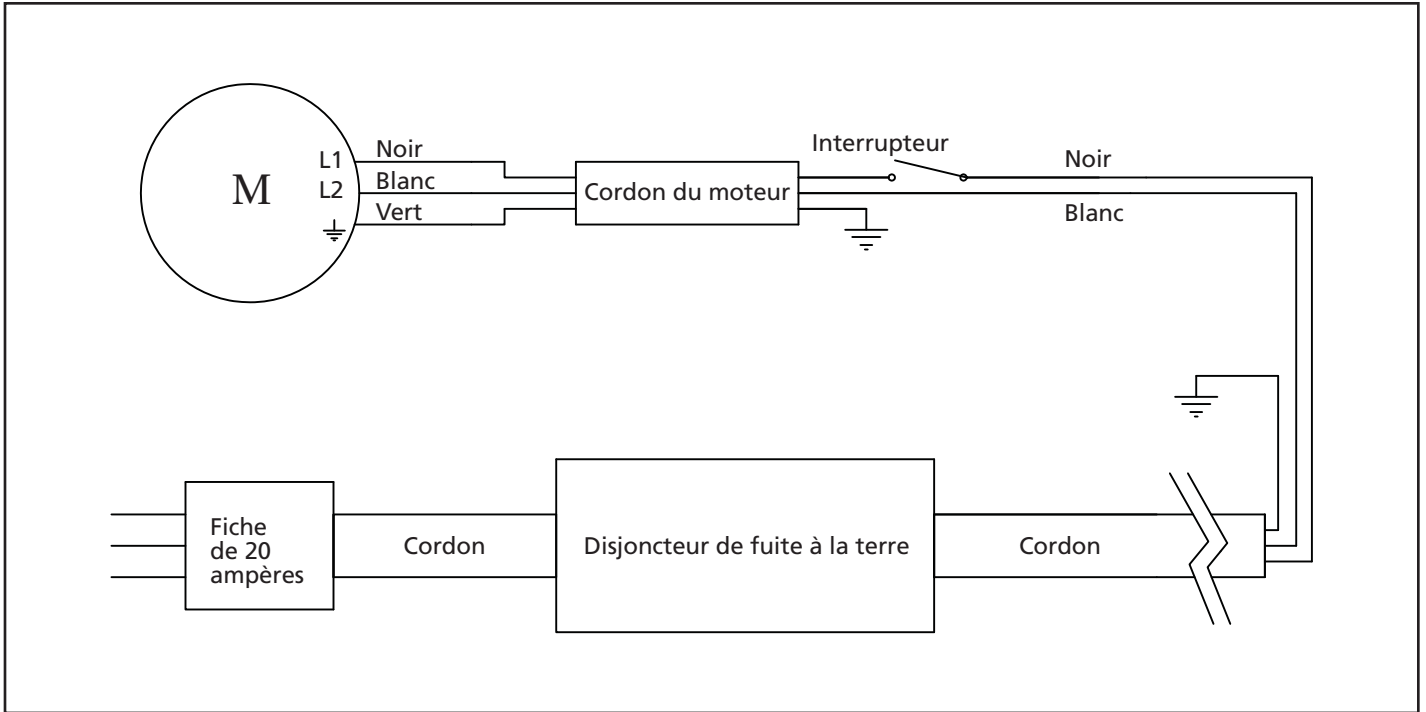


Figure 17 - Diagramme de câblage de 115 V

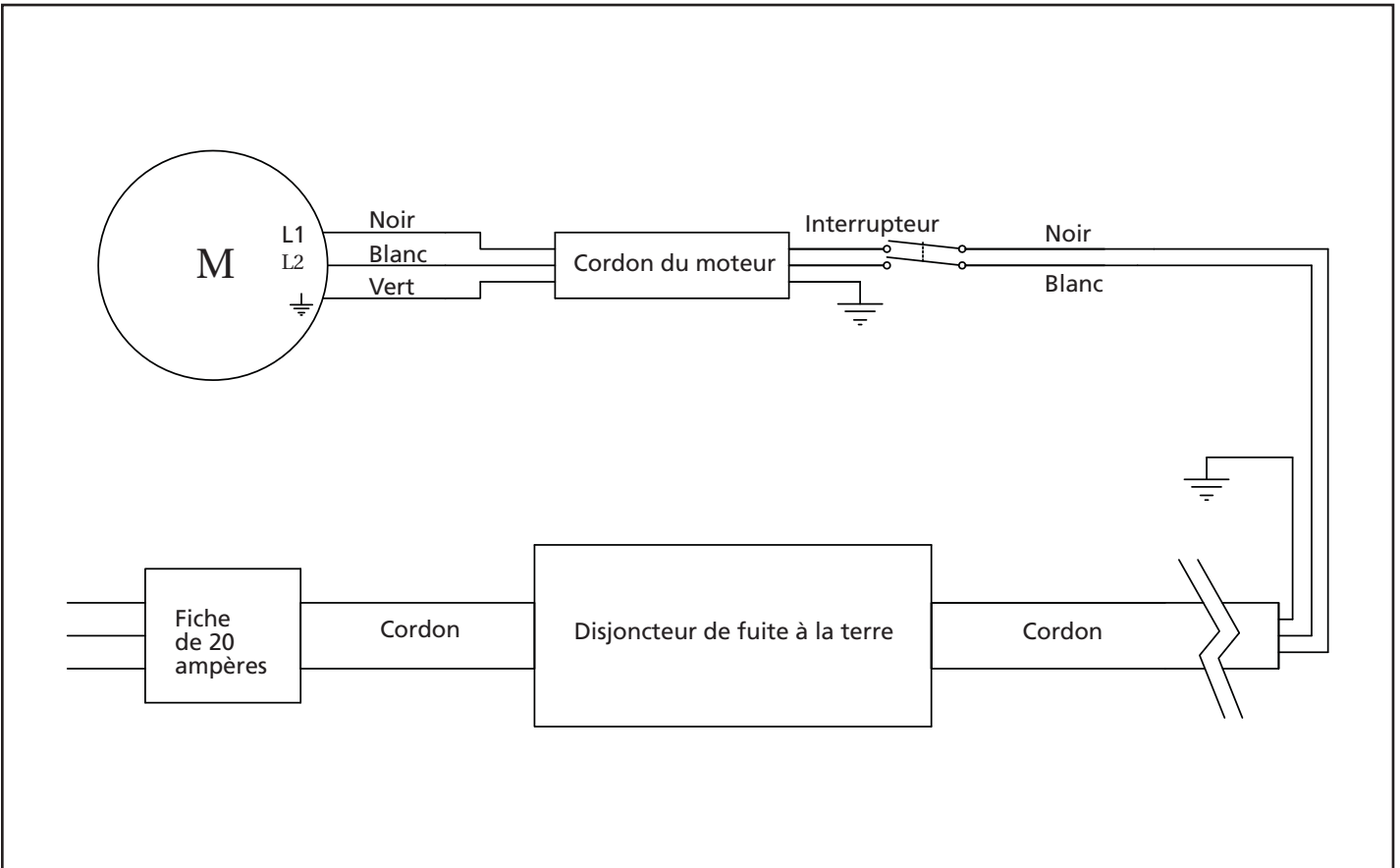


Figure 18 - Diagramme de câblage de 230 V

Guide Général De Dépannage

Symptôme	Cause(s) Possible(s)	Mesures correctives
Faible pression et/ou pompe tourne de manière irrégulière	<ol style="list-style-type: none"> 1. Bec usé ou de mauvaise dimension 2. Filtre d'entrée de la pompe bloquée 3. Joints hydrauliques usés, abrasifs dans l'eau ou usure normale 4. Entrée ou soupapes de décharge polluées ou sales 5. Entrée restreinte 6. Entrée ou soupapes de décharge usées 7. Fuite de flexible haute pression 8. Pompe aspire de l'air 9. Joint de soupape de décharge défectueux ou usé 	<ol style="list-style-type: none"> 1. Remplacez par un bec d'une dimension appropriée 2. Nettoyez. Vérifiez plus souvent 3. Vérifiez le filtre. Remplacez les joints hydrauliques. Consultez le centre de réparations 4. Nettoyez les assemblages de soupape de décharge et d'entrée. Vérifiez le filtre 5. Vérifiez le tuyau d'arrosage qui pourrait être enfoncé ou tortillé. Vérifiez le débit d'eau d'entrée 6. Remplacez les soupapes usées 7. Remplacez le flexible haute pression 8. Assurez-vous que les tuyaux et raccords soient bien serrés 9. Vérifiez et remplacez
Fuite d'eau sous le collecteur de pompe	Joints hydrauliques usés	Installez de nouveaux joints hydrauliques. Consultez le centre de réparations.
De l'eau dans le carter de la pompe (huile crémeuse)	<ol style="list-style-type: none"> 1. Condensation d'air humide dans le carter 2. Fuites d'huile 	<ol style="list-style-type: none"> 1. Changez l'huile tel qu'indiqué dans l'horaire d'entretien 2. Installez de nouveaux joints d'huile. Consultez le centre de réparations.
Défaillance fréquente ou prématurée des joints hydrauliques de la pompe	<ol style="list-style-type: none"> 1. Pistons usés ou endommagés et rayés 2. Matériau abrasif dans le fluide 3. Température d'eau d'entrée trop élevée 4. Surpression de la pompe 5. Pression excessive provoquée par un bec partiellement bouché ou endommagé 6. Pompe tourne trop longtemps sans pulvériser 7. Pompe tourne à sec 	<ol style="list-style-type: none"> 1. Installez de nouveaux pistons. Consultez le centre de réparations. 2. Installez la bonne filtration sur la plomberie d'entrée de la pompe 3. Vérifiez la température de l'eau; ne doit pas dépasser 38°C. 4. Ne modifiez pas les réglages en usine 5. Nettoyez ou remplacez le bec 6. Ne faites jamais fonctionner la pompe pendant plus de 2 minutes sans pulvériser 7. Ne pompez pas sans eau
Forte pompage à l'entrée et faible pression	Particules étrangères dans la soupape d'entrée ou de décharge ou soupapes de décharge et/ou entrée usées	Nettoyez ou remplacez les soupapes. Consultez le centre de réparations.
Fuite d'huile entre le moteur et la pompe	Joints d'huile et/ou joint torique usés	Remplacez les joints d'huile et/ou joints toriques. Consultez le centre de réparations.
Pression fluctuante	<ol style="list-style-type: none"> 1. Soupape usée, sale ou bloquée 2. Pompe aspire de l'air 3. Bec bouché 	<ol style="list-style-type: none"> 1. Vérifiez et remplacez 2. Assurez-vous que les flexibles et raccords sont serrés. Drainez l'air du tuyau d'arrosage 3. Vérifiez ou remplacez
Chutes de pression après la période d'utilisation normale	<ol style="list-style-type: none"> 1. Joints hydrauliques de pompe usés 2. Gicleur usé 3. Soupape usée, sale ou bloquée 4. Joint de soupape de décharge usé ou sale 5. Embout en position de faible kPa 	<ol style="list-style-type: none"> 1. Vérifiez et remplacez 2. Vérifiez et remplacez 3. Vérifiez, nettoyez ou remplacez 4. Vérifiez, nettoyez ou remplacez 5. Reculez l'embout à la position de haute pression

Suite à la page suivante

Guide Général De Dépannage

Symptôme	Cause(s) Possible(s)	Mesures correctives
Laveuse à pression ne démarre pas	<ol style="list-style-type: none"> 1. Le disjoncteur de fuite à la terre s'est déclenché. 2. La fiche n'est pas bien branchée ou la prise électrique est défectueuse 3. Rallonge trop longue ou taille du fil trop petite 4. Alimentation de tension principale trop basse 5. L'interrupteur de sécurité thermique a été déclenché 	<ol style="list-style-type: none"> 1. Enfoncez le bouton de réinitialisation sur la fiche 2. Vérifiez la fiche, la douille et les fusibles 3. Retirez la rallonge 4. Vérifier que la tension d'alimentation principale est suffisante 5. Éteignez l'appareil et laissez le moteur refroidir
Le moteur s'arrête soudainement	<ol style="list-style-type: none"> 1. Rallonge trop longue ou taille du fil trop petite 2. L'interrupteur de sécurité thermique a été déclenché à cause de surchauffe 	<ol style="list-style-type: none"> 1. Retirez la rallonge 2. Vérifiez que la tension d'alimentation principale correspond aux spécifications
L'appareil commence à fumer	Moteur surchauffé, surchargé ou endommagé	Éteignez l'appareil et appelez 1-800-330-0712
Pompe bruyante/pompe fonctionne de manière irrégulière	<ol style="list-style-type: none"> 1. Pompe aspire de l'air/faible alimentation d'eau 2. Soupapes sales ou usées 3. Roulements usés 4. Eau trop chaude 	<ol style="list-style-type: none"> 1. Assurez-vous que les raccords sont bien serrés. Augmentez la pression d'eau 2. Vérifiez, nettoyez ou remplacez 3. Vérifiez et remplacez 4. Réduisez la température sous 38°C
Ne tire pas de détergent	<ol style="list-style-type: none"> 1. Ne pas utiliser une buse de savon 2. Blocage, tortillement ou trou dans le flexible d'aspiration du détergent 3. Flexible trop long 4. Le jet ne fonctionne pas correctement 	<ol style="list-style-type: none"> 1. Installez un bec (noir) de savon de 65° 2. Si c'est propre, étirez ou remplacez le flexible. 3. Utilisez seulement la longueur fournie lors de l'achat initial du pulvérisateur haute pression. L'aspiration de détergent ne fonctionne pas si plus d'une section de flexible est fixé à l'appareil. 4. Retirez le jet du pistolet. Si le détergent est distribué par le pistolet, le jet doit être remplacé. Si aucun détergent n'est distribué par le pistolet, retirez 1 po de tétine de détergent effilée de la pompe. Nettoyez la tétine et assurez-vous que la boule et le ressort soient bien alignés avec la partie effilée du ressort face à la boule. La boule devrait être sur le ressort.

Pour pièces de rechange ou assistance technique, appeler 1-800-330-0712

S'il vous plaît fournir l'information suivante :

- Numéro de Modèle
- Numéro de série (si présent)
- Description et numéro de la pièce

Adresser toute correspondance à :

Campbell Hausfeld
Attn: Customer Service
100 Production Drive
Harrison, OH 45030 U.S.A.

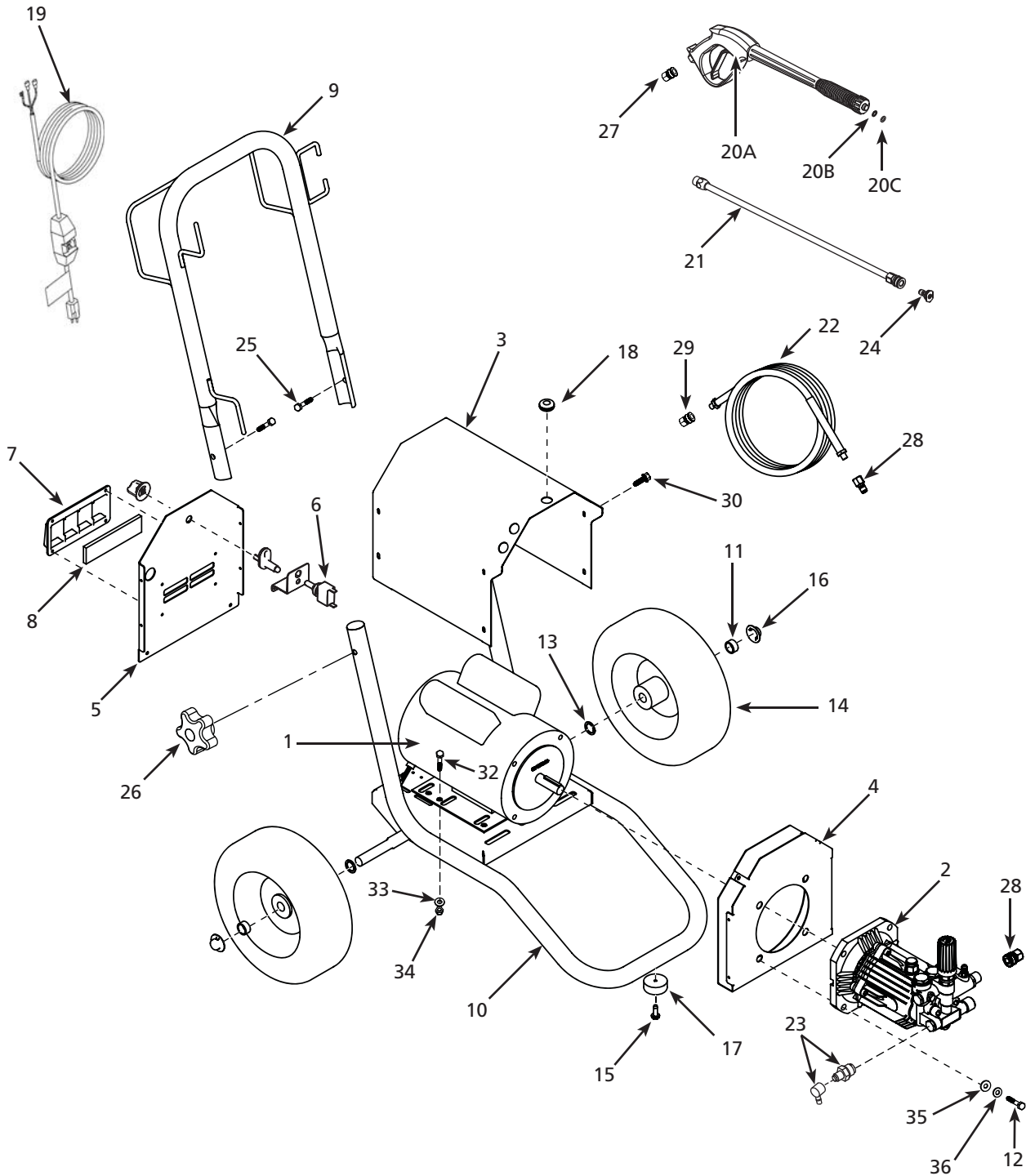


Figure 19

LISTE DE PIÈCES DE RECHANGE

No. de Ref.	Description	CP5211	CP5216	CP5321	Qté.
1	Moteur	MC031000AV	MC031000AV	MC031001AV	1
2	Pompe	PM351171SJ	PM351170SJ	PM351172SJ	1
3	Couvercle de moteur	PM351173SJ	PM351173SJ	PM351174SJ	1
4	Déflexeur	PM351102JJ	PM351102JJ	PM351102JJ	1
5	Couvercle arrière	PM351103JJ	PM351103JJ	PM351107JJ	1
6	Interrupteur	PM351179SJ	PM351179SJ	PM351180SJ	1
7	Persienne	PM351128AV	PM351128AV	PM351128AV	1
8	Filtre à air	PM351129AV	PM351129AV	PM351129AV	1
9	Manche	PM351026JJ	PM351026JJ	PM351026JJ	1
10	Chariot	PM351175SJ	PM351175SJ	PM351176SJ	1
11	Entretoise, 6,4 mm (1/4 po) [2 par côté]	AL177001AV	AL177001AV	AL177001AV	4
12	Boulon - 9,5 mm (3/8 po) - 16 x 31,7 mm (1,25 po)	*	*	*	4
13	Entretoise, 14,3 mm (9/16 po) [2 par côté]	MJ105308AV	MJ105308AV	MJ105308AV	4
14	Roue pneumatique	WA005621AV	WA005621AV	WA005621AV	2
15	Vis	MJ102100AV	MJ102100AV	MJ102100AV	1
16	Écrou Pal	PM344759AV	PM344759AV	PM344759AV	2
17	Parechocs en caoutchouc	AL062300AV	AL062300AV	AL062300AV	1
18	Passe-fil de caoutchouc	MJ110200AV	MJ110200AV	MJ110200AV	5
19	Assemblage de cordon	PM351177SJ	PM351177SJ	PM351178SJ	1
20A	Pistolet	PM005136AV	PM005136AV	PM005136AV	1
20B	Joint torique de pistolet	PM345403SJ	PM345403SJ	PM345403SJ	1
20C	Joint torique de soutien de pistolet	PM232211SV	PM232211SV	PM232211SV	1
21	Lance	PM351378AV	PM351378AV	PM351378AV	1
22	Tuyau 7,62 m (25 pi)	PM005010AV	PM005010AV	PM005010AV	1
23	Assemblage de décharge thermique	PM345016SJ	PM345017SJ	PM345017SJ	1
24	Buses à raccordement rapide				
	Buse – 0 deg	PM351120AV	PM351120AV	--	1
	Buse – 15 deg	PM351121AV	PM351121AV	PM039880AV	
	Buse – 25 deg	PM351122AV	PM351122AV	PM039890AV	
	Buse – 40 deg	PM351123AV	PM351123AV	PM039900AV	
	Buse – Savon	PM039820AV	PM039820AV	PM039820AV	
25	Boulon de carrosserie de 7,9 mm (5/16 po) - 18 x 57,1 mm (2,25 po)	MJ103305AV	MJ103305AV	MJ103305AV	2
26	Bouton en forme d'étoile	PM080900AV	PM080900AV	PM080900AV	2
27	Raccordement rapide – Pistolet	PM068060AV	PM068060AV	PM068060AV	1
28	Raccordement rapide – Pompe et Tuyau	PM068070AV	PM068070AV	PM068070AV	2
29	Raccordement rapide – Tuyau	PM068066AV	PM068066AV	PM068066AV	1
30	Vis - n° 8 - 18 autotaraudeuse	MJ106100AV	MJ106100AV	MJ106100AV	14
31	Tube de produits chimiques (Pas indiqué)	PM013800AV	PM013800AV	PM013800AV	1
32	Boulon de 7,9 mm (5/16 po) - 18 x 19 mm (3/4 po)	ST016000AV	ST016000AV	ST016000AV	4
33	Rondelle plate de 5/16 po (7,9 mm)	ST070930AV	ST070930AV	ST070930AV	4
34	Écrou hex 5/16 po (7,9 mm) – 18	AL014000AV	AL014000AV	AL014000AV	4
35	Rondelle plate de 3/8 po (9,5 mm)	*	*	*	4
36	Rondelle de blocage de 3/8 po (9,5 mm)	*	*	*	4
*	Article normal de quincaillerie				
--	Pas disponible				

Pour pièces de rechange ou assistance technique, appeler 1-800-330-0712

S'il vous plaît fournir l'information suivante :

- Numéro de Modèle
- Numéro de série (si présent)
- Description et numéro de la pièce

Adresser toute correspondance à :

Campbell Hausfeld
Attn: Customer Service
100 Production Drive
Harrison, OH 45030 U.S.A.

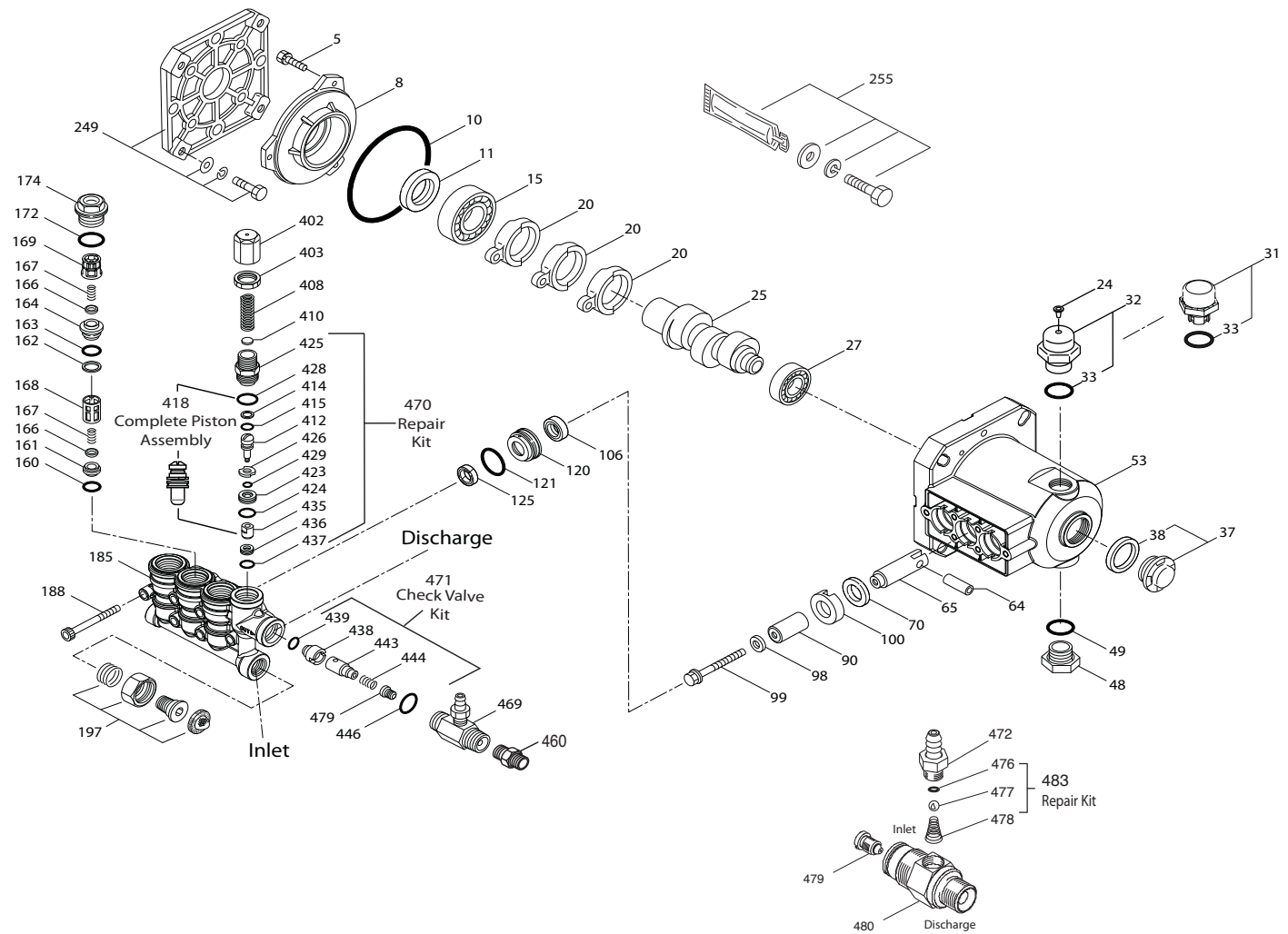


Figure 20 - PM351171SJ

LISTE DES PIÈCES DE RECHANGE POUR PM351171SJ

N° de réf.	Description	N° de pièce	Qté.	N° de réf.	Description	N° de pièce	Qté.
5	Vis HH (M6-14)	--	1	174	Bouchon de valve	--	1
8	Couvercle du roulement	--	1	185	Tête de la rampe à gaz	--	1
10	Joint torique du couvercle du roulement (70D)	--	1	188	Vis HSH (M6-60)	--	1
11	Joint d'huile (70D)	--	1	197	Assemblage du tuyau d'arrosage	PM900500AV	1
15	Roulement de la boule intérieure	--	1	249	Assemblage du montage de l'adaptateur	--	1
20	Tige de raccordement	--	1	255	Assemblage du boulon de montage	--	1
24	Bouchon du capuchon d'huile	PM900000AV	1	300	Trousse de scellement (inc. 98, 106, 121, 125)	PM900600AV	1
25	Vilebrequin	--	1	310	Trousse de la valve (inc. 160, 161, 162, 163, 164, 166, 167, 168, 169, 172)	PM900900AV	1
27	Roulement de la boule	--	1	401	Poignée de réglage	--	1
32	Capuchon du remplisseur d'huile	PM345078SV	1	402	Capuchon de réglage	--	1
33	Joint torique du capuchon du remplisseur d'huile (70D)	PM345079SV	1	403	Écrou de blocage (M18-1)	--	1
37	Voyant pour niveau d'huile	PM900200AV	1	404	Vis de réglage (M4-1)	--	1
38	Joint d'étanchéité du voyant pour niveau (80D)	--	1	408	Ressort de pression	--	1
48	Bouchon de drain	PM900300AV	1	410	Bague d'arrêt du ressort	--	1
49	Joint torique du bouchon de drain (70D)	PM900400AV	1	412	Tige de piston (M5)	--	1
53	Carter	--	1	414	Bague d'appui de la tige de piston	--	1
64	Tourillon de la crosse	--	1	415	Joint torique de la tige de piston (70D)	--	1
65	Tige support du piston	--	1	418	Assemblage complet du piston	--	1
69	Rondelle du joint d'huile	--	1	423	Bague d'arrêt de la valve	--	1
70	Joint d'huile	--	1	424	Joint torique de la bague d'arrêt de la valve (extérieur)	--	1
75	Bague d'étanchéité de la barrière	--	1	425	Bague d'arrêt du piston	--	1
90	Piston (M14-25,5)	--	1	426	Rondelle	--	1
98	Rondelle du joint (90D)	--	1	428	Joint torique de la bague d'arrêt du piston	--	1
99	Bague d'arrêt du piston (M6-35)	--	1	429	Joint torique de la bague d'arrêt de la valve (intérieur)	--	1
100	Bague d'arrêt du joint	--	1	430	Bague d'appui de la bague d'arrêt de la valve	--	1
106	Joint LPS	--	1	435	Valve d'assemblage de la balle	--	1
120	Boîtier du joint	--	1	436	Siège	--	1
121	Joint torique du boîtier du joint (70D)	--	1	437	Joint torique du siège	--	1
122	Anneau de support	--	1	438	Siège du clapet de non-retour	--	1
125	Joint HPS	--	1	439	Joint torique du siège du clapet de non-retour	--	1
127	Emballage en V	--	1	443	Clapet de non-retour avec joint torique	--	1
128	Adaptateur mâle	--	1	444	Ressort du clapet de non-retour	--	1
160	Joint torique du siège d'entrée	--	1	446	Joint torique du corps	--	1
161	Siège d'entrée	--	1	460	Raccord de déchargement (9,5 mm (3/8 po) NPTF-18)	--	1
162	Bague d'appui du siège de déchargement	--	1	468	Trousse du joint torique (inc. 414, 415, 423, 424, 425, 426, 428, 429, 437, 439, 446)	PM901300AV	1
163	Joint torique du siège de déchargement	--	1	469	Injecteur de produits chimiques fixe	--	1
164	Siège de déchargement	--	1	470	Trousse de réparation (inc. 412, 414, 415, 423, 424, 425, 426, 428, 429, 435, 436, 437)	PM901100AV	1
166	Valve	--	1	471	Trousse du clapet de non-retour (inc. 438, 439, 443, 444, 446)	PM901600AV	1
167	Ressort	--	1	483	Trousse de réparation de l'injecteur (inc. 476, 477, 478)	PM901500AV	1
168	Bague d'arrêt du ressort d'entrée	--	1				
169	Bague d'arrêt du ressort de déchargement	--	1				
172	Joint torique du bouchon de valve	--	1				

Pour pièces de rechange ou assistance technique, appeler 1-800-330-0712

S'il vous plaît fournir l'information suivante :

- Numéro de Modèle
- Numéro de série (si présent)
- Description et numéro de la pièce

Adresser toute correspondance à :

Campbell Hausfeld
Attn: Customer Service
100 Production Drive
Harrison, OH 45030 U.S.A.

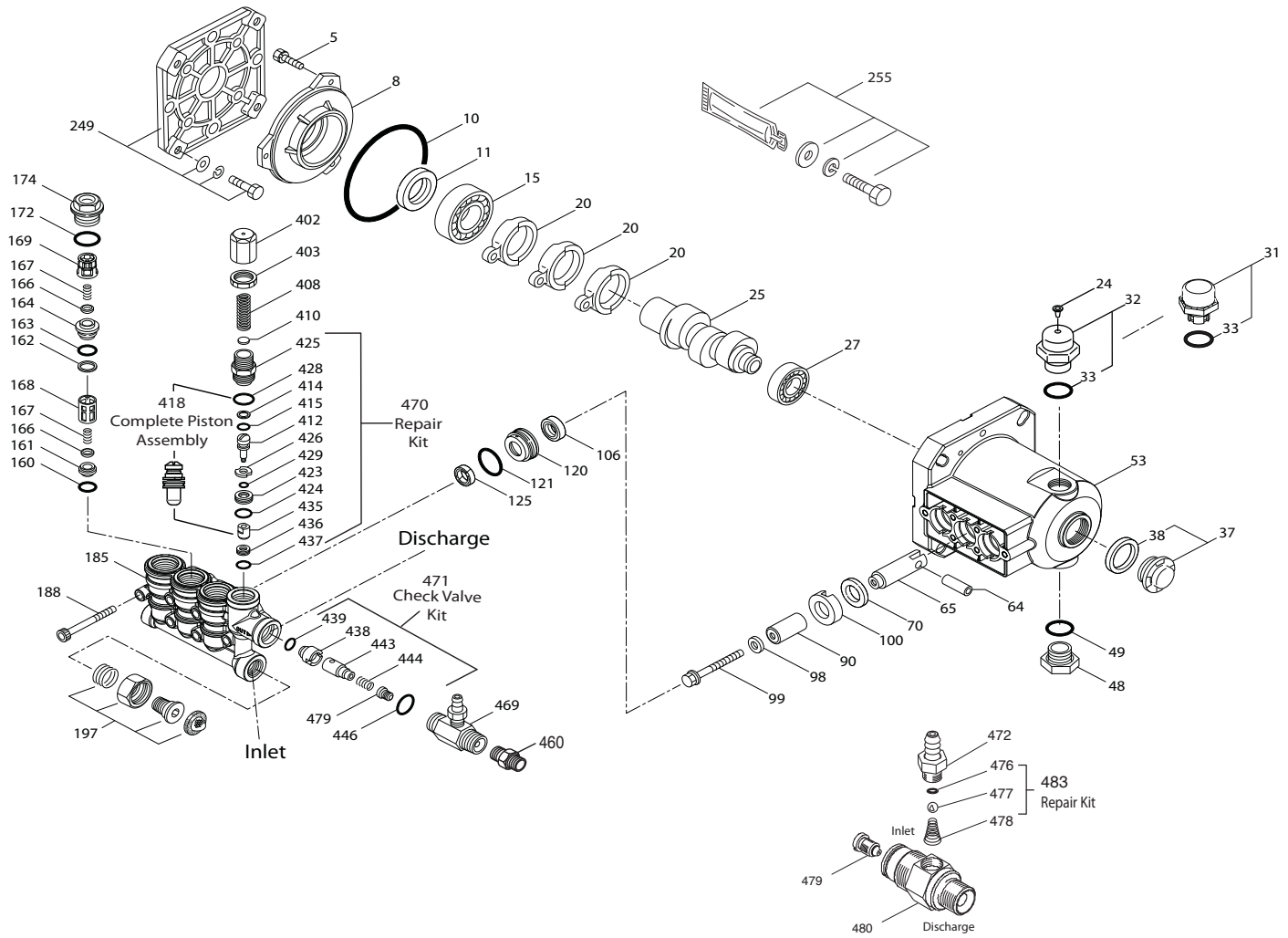


Figure 21 - PM351172SJ

LISTE DES PIÈCES DE RECHANGE POUR PM351172SJ

N° de réf.	Description	N° de pièce	Qté.	N° de réf.	Description	N° de pièce	Qté.
5	Vis HH (M6-14)	--	1	185	Tête de la rampe à gaz	--	1
8	Couvercle du roulement	--	1	188	Vis HSH (M6-60)	--	1
10	Joint torique du couvercle du roulement (70D)	--	1	197	Assemblage du tuyau d'arrosage	PM900500AV	1
11	Joint d'huile (70D)	--	1	249	Assemblage du montage de l'adaptateur	--	1
15	Roulement de la boule intérieure	--	1	255	Assemblage du boulon de montage	--	1
20	Tige de raccordement	--	1	300	Trousse de scellement (inc. 98, 106, 121, 125)	PM905100AV	1
24	Bouchon du capuchon d'huile	PM900000AV	1	310	Trousse de la valve (inc. 160, 161, 162, 163, 164, 166, 167, 168, 169, 172)	PM905200AV	1
25	Vilebrequin	--	1	401	Poignée de réglage	--	1
27	Roulement de la boule	--	1	402	Capuchon de réglage	--	1
32	Capuchon du remplisseur d'huile	PM345078SV	1	403	Écrou de blocage (M18-1)	--	1
33	Joint torique du capuchon du remplisseur d'huile (70D)	PM345079SV	1	404	Vis de réglage (M4-1)	--	1
37	Voyant pour niveau d'huile	PM900200AV	1	408	Ressort de pression	--	1
38	Joint d'étanchéité du voyant pour niveau (80D)	--	1	410	Bague d'arrêt du ressort	--	1
48	Bouchon de drain	PM900300AV	1	412	Tige de piston (M5)	--	1
49	Joint torique du bouchon de drain (70D)	PM900400AV	1	414	Bague d'appui de la tige de piston	--	1
53	Carter	--	1	415	Joint torique de la tige de piston (70D)	--	1
64	Tourillon de la crosse	--	1	418	Assemblage complet du piston	--	1
65	Tige support du piston	--	1	423	Bague d'arrêt de la valve	--	1
69	Rondelle du joint d'huile	--	1	424	Joint torique de la bague d'arrêt de la valve (extérieur)	--	1
70	Joint d'huile	--	1	425	Bague d'arrêt du piston	--	1
75	Bague d'étanchéité de la barrière	--	1	426	Rondelle	--	1
90	Piston (M14-25,5)	--	1	428	Joint torique de la bague d'arrêt du piston	--	1
98	Rondelle du joint (90D)	--	1	429	Joint torique de la bague d'arrêt de la valve (intérieur)	--	1
99	Bague d'arrêt du piston (M6-35)	--	1	430	Bague d'appui de la bague d'arrêt de la valve	--	1
100	Bague d'arrêt du joint	--	1	435	Valve d'assemblage de la balle	--	1
106	Joint LPS	--	1	436	Siège	--	1
120	Boîtier du joint	--	1	437	Joint torique du siège	--	1
121	Joint torique du boîtier du joint (70D)	--	1	438	Siège du clapet de non-retour	--	1
122	Anneau de support	--	1	439	Joint torique du siège du clapet de non-retour	--	1
125	Joint HPS	--	1	443	Clapet de non-retour avec joint torique	--	1
127	Emballage en V	--	1	444	Ressort du clapet de non-retour	--	1
128	Adaptateur mâle	--	1	446	Joint torique du corps	--	1
160	Joint torique du siège d'entrée	--	1	460	Raccord de déchargement (9,5 mm/3/8 po NPTF-18)	--	1
161	Siège d'entrée	--	1	468	Trousse du joint torique (inc. 414, 415, 424, 428, 429, 437, 439, 446)	PM904900AV	1
162	Bague d'appui du siège de déchargement	--	1	469	Injecteur de produits chimiques fixe	--	1
163	Joint torique du siège de déchargement	--	1	470	Trousse de réparation (inc. 412, 414, 415, 423, 424, 425, 426, 428, 429, 435, 436, 437)	PM905000AV	1
164	Siège de déchargement	--	1	471	Trousse du clapet de non-retour (inc. 438, 439, 443, 444, 446)	PM901600AV	1
166	Valve	--	1	483	Trousse de réparation de l'injecteur (inc. 476, 477, 478)	PM901500AV	1
167	Ressort	--	1				
168	Bague d'arrêt du ressort d'entrée	--	1				
169	Bague d'arrêt du ressort de déchargement	--	1				
172	Joint torique du bouchon de valve	--	1				
174	Bouchon de valve	--	1				

Pour pièces de rechange ou assistance technique, appeler 1-800-330-0712

S'il vous plaît fournir l'information suivante :

- Numéro de Modèle
- Numéro de série (si présent)
- Description et numéro de la pièce

Adresser toute correspondance à :

Campbell Hausfeld
 Attn: Customer Service
 100 Production Drive
 Harrison, OH 45030 U.S.A.

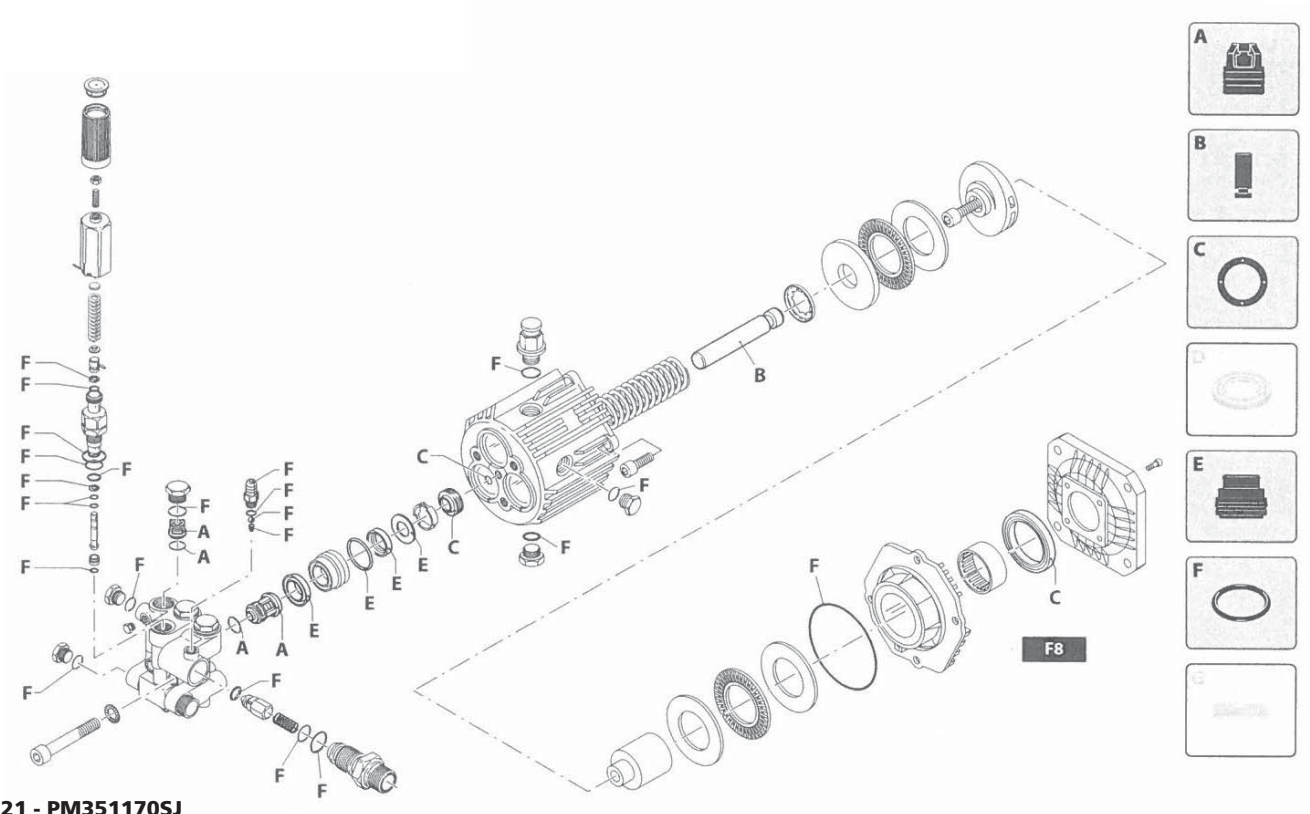
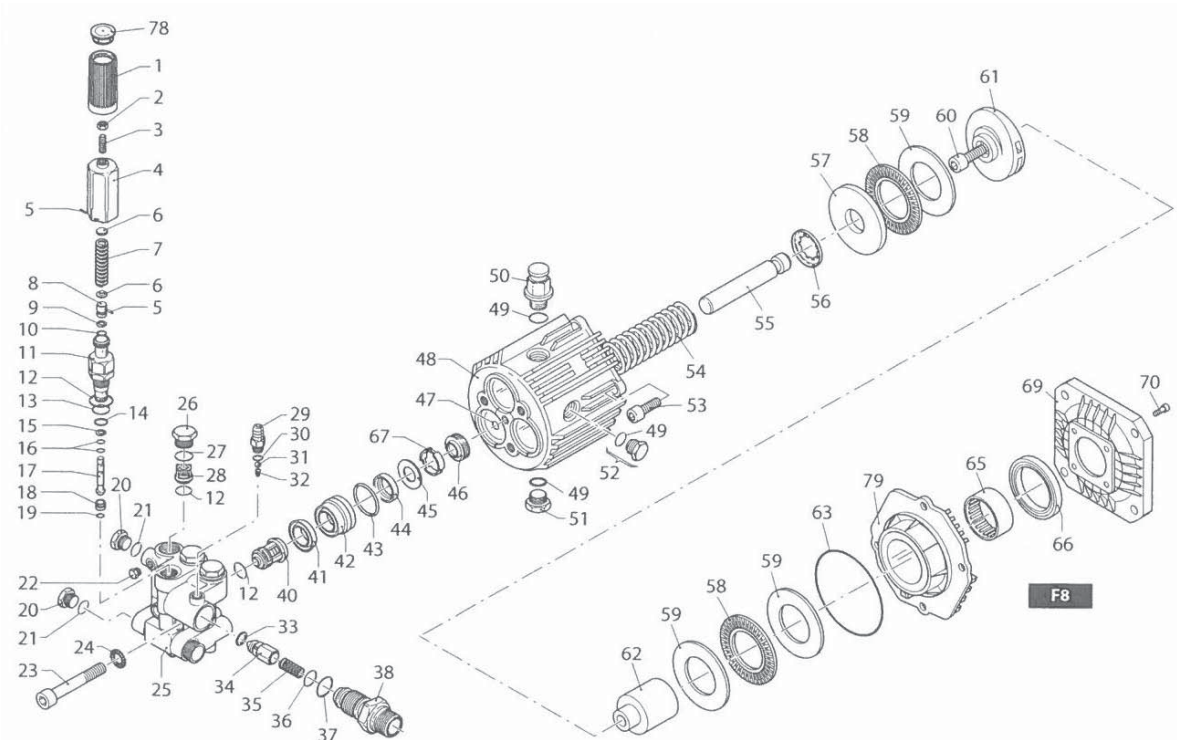


Figure 21 - PM351170SJ

LISTE DES PIÈCES DE RECHANGE POUR PM351170SJ

N° de réf.	Description	N° de pièce	Qté.
1	Bouton	--	1
2	Écrou M6	--	1
3	Vis M6-20	--	1
4	Encart	--	1
5	Goupille	--	1
6	Espaceur	--	1
7	Ressort	--	1
8	Piston du bipasse de démarrage	--	1
9	Anneau du bipasse de démarrage	F	1
10	Joint torique	F	1
11	Guide du piston	--	1
12	Joint torique	A	6
	Joint torique	F	7
13	Joint torique	F	1
14	Joint torique	F	1
15	Anneau	F	1
16	Joint torique	F	2
17	Piston	--	1
18	Siège	--	1
19	Joint torique	F	1
20	Bouchon	--	1
21	Joint torique	F	2
22	Bouchon	--	1
23	Vis M10-65	--	1
24	Rondelle	--	1
25	Tête	--	1
26	Bouchon	--	1
27	Joint torique	F	3
28	Valve complète	A	3
29	Extrémité arrière du tuyau	--	1
30	Joint torique	F	1
31	Balle	F	1
32	Ressort	F	1
33	Joint torique	F	1
34	Obturateur	--	1
35	Ressort	--	1
36	Joint torique	F	1
37	Joint torique	F	1
38	Injecteur	--	1
40	Valve complète	A	3
41	Joint d'étanchéité	E	3
42	Guide du piston	--	1
43	Joint torique	E	3
44	Joint hydraulique	E	3
45	Anneau	E	3

N° de réf.	Description	N° de pièce	Qté.
46	Joint d'huile	C	3
47	Joint torique	C	1
48	Corps de la pompe	--	1
49	Joint torique	F	3
50	Bouchon	--	1
51	Bouchon	--	1
52	Bouchon	--	1
53	Vis	--	1
54	Ressort	--	1
55	Piston	B	3
56	Anneau	--	1
57	Cinquième roue	--	1
58	Cinquième roue	--	1
59	Cinquième roue	--	1
60	Vis	--	1
61	Plaque d'oscillation	--	1
62	Arbre	--	1
63	Joint torique	F	1
65	Bague	--	1
66	Joint d'huile	C	1
67	Espaceur	--	1
69	Bride	--	1
70	Vis	--	1
78	Bouchon	--	1
79	Bride	--	1

TROUSSES DE PIÈCES DE RECHANGE

A	Trousse de la valve – inc. 12 (6), 28 (3), 40 (3)	PM904400AV
B	Trousse de pistons – inc. 55 (3)	PM904500AV
C	Trousse de joints d'huile – inc. 46 (3), 47 (1), 66 (1)	PM904600AV
E	Trousse de joints hydrauliques – inc. 41 (3), 43 (3), 44 (3), 45 (3)	PM904700AV
F	Trousse du joint torique – 9 (1), 10 (1), 12 (7), 13 (1), 14 (1), 15 (1), 16 (2), 19 (1), 21 (2), 27 (3), 30 (1), 31 (1), 32 (1), 35 (1), 36 (1), 37 (1), 49 (3), 63 (1)	PM904800AV

ENREGISTREZ VOTRE PRODUIT EN LIGNE MAINTENANT !
www.campbellhausfeld.com

Garantie Limitée

1. DURÉE: À partir de la date d'achat par l'acheteur originel comme suit: Trois (3) ans d'appareil de laveuse à pression, deux (2) ans de pompe et moteur et 90 jours pour les articles d'usure.
2. GARANTIE ACCORDÉE PAR (GARANT): Campbell Hausfeld / Scott Fetzer Company, 100 Production Drive, Harrison, OH 45030, Téléphone: (800) 330-0712.
3. BÉNÉFICIAIRE DE CETTE GARANTIE (ACHETEUR): L'acheteur originel (sauf en cas de revente) du pulvérisateur de lavage Campbell Hausfeld.
4. PRODUITS COUVERTS PAR CETTE GARANTIE: Tous les Pulvérisateurs de Lavage Campbell Hausfeld qui sont fournis ou fabriqués par le Garant.
5. COUVERTURE DE LA PRÉSENTE GARANTIE: Défauts de matière et de fabrication considérables qui se révèlent pendant la période de validité de la garantie avec les exceptions indiquées ci-dessous.
6. LA PRÉSENTE GARANTIE NE COUVRE PAS:
 - A. Les garanties implicites, y compris celles de commercialisabilité et D'ADAPTION À UNE FONCTION PARTICULIÈRE SONT LIMITÉES À PARTIR DE LA DATE D'ACHAT INITIALE TELLE QU'INDIQUÉE DANS LA SECTION DURÉE. Quelques Provinces (États) n'autorisent pas de limitations de durée pour les garanties implicites. Les limitations précédentes peuvent donc ne pas s'appliquer.
 - B. TOUT DOMMAGE, PERTE OU DÉPENSE FORTUIT OU INDIRECT POUVANT RÉSULTER DE TOUT DÉFAUT, PANNE OU MAUVAIS FONCTIONNEMENT DU PULVÉRISATEUR CAMPBELL HAUSFELD. Quelques Provinces (États) n'autorisent pas l'exclusion ni la limitation des dommages fortuits ou indirects. La limitation ou exclusion précédente peut donc ne pas s'appliquer.
 - C. Toute panne résultant d'un accident, de dommage pendant l'expédition, d'une utilisation abusive, de la négligence ou d'une utilisation ne respectant pas les instructions données dans le(s) manuel(s) accompagnant le produit.
 - D. Service avant livraison; montage, huile ou lubrifiants, et réglages par exemple.
 - E. Articles ou service normalement requis pour l'entretien du pulvérisateur de lavage.
 - F. Articles additionnels qui ne sont pas couverts sous cette garantie:
 1. Articles d'usure normal tels que; tuyaux haute pression, joints d'huile et hydrauliques, joints toriques, soupapes, lances, et buses de pulvérisation.
 2. Brosses de moteur (Modèles électriques seulement).
 3. Les défauts esthétiques qui n'affectent pas la fonction.
 4. Pièces détachées rouillées.
 5. Usure de la pompe ou le dommage aux soupapes causé par l'utilisation de type d'huile incorrect, la contamination de l'huile ou par le manque de suivre les directives d'entretien d'huile.
7. RESPONSABILITÉS DU GARANT AUX TERMES DE CETTE GARANTIE: Réparation ou remplacement, au choix du Garant, du pulvérisateur de lavage ou de pièce détachée qui se sont révélés défectueux pendant la durée de la garantie.
8. RESPONSABILITÉS DE L'ACHETEUR AUX TERMES DE CETTE GARANTIE:
 - A. Fournir une preuve d'achat datée et un état d'entretien.
 - B. La livraison ou expédition du pulvérisateur de lavage ou pièce détachée Campbell Hausfeld au Centre De Service Autorisé Campbell Hausfeld. Taux de frais, si applicables, sont la responsabilité de l'acheteur.
 - C. Utilisation et entretien du pulvérisateur de lavage avec un soin raisonnable, ainsi que le décri(vent)t le(s) manuel(s) d'utilisation.
9. RÉPARATION OU REMPLACEMENT EFFECTUÉ PAR LE GARANT AUX TERMES DE LA PRÉSENTE GARANTIE: La réparation ou le remplacement sera prévu et exécuté en fonction de la charge de travail dans le centre de service et dépendra de la disponibilité des pièces de rechange.

Cette Garantie Limitée s'applique aux É.-U., au Canada et au Mexique seulement et vous donne des droits juridiques précis. L'acheteur peut également jouir d'autres droits qui varient d'une Province, d'un État ou d'un Pays à l'autre.

MÉMENTO: Gardez votre preuve datée d'achat à fin de la garantie!
Joignez-la à ce manuel ou classez-la dans un dossier pour plus de sécurité.

Por favor lea y guarde estas instrucciones. Léalas cuidadosamente antes de tratar de montar, instalar, operar o dar mantenimiento al producto aquí descrito. Protéjase usted mismo y a los demás observando toda la información de seguridad. ¡El no cumplir con las instrucciones puede ocasionar daños, tanto personales como a la propiedad! Guarde estas instrucciones para referencia en el futuro.



Lavadoras a presión con motor a gasolina

¡REGISTRE SU PRODUCTO EN LÍNEA AHORA MISMO!

<http://www.campbellhausfeld.com>



Figura 1

Especificaciones

Modelo	Bomba	Voltios	Tamaño de la boquilla	Presión	Flujo
CP5211	2HP CAT 4DXI5EUIF	120V	N.º 2.0	137,9 bar / 2000 psi	5,68/min (1,5 GPM)
CP5216	2HP AR XJV16	120V	N.º 2.0	131 bar / 1900 psi	5,68/min (1,5 GPM)
CP5321	5HP CAT 4DNX25GSI	230V	N.º 3.0	200 bar / 2900 psi	9,46/min (2,5 GPM)

Sírvase registrar el N° de modelo y el N° de serie para usarlos cuando se ponga en contacto con el fabricante:

N° de modelo: _____

N° de serie: _____

Fecha de compra: _____

Lugar de compra: _____

Para mayor información sobre este producto, comuníquese con el distribuidor de Campbell Hausfeld más cercano a su domicilio.

Descripción

Estas potentes y duraderas lavadoras a presión eléctricas están diseñadas para proyectos industriales en talleres de mantenimiento, granjas, establos, cocinas comerciales, negocios de serigrafía, sobre equipos pesados, y más. Están aprobadas por ETL que cumple con las normas UL y CSA.

El motor de inducción para trabajo pesado funciona silenciosa y eficientemente y sin emisiones de combustible. Está cubierto con pintura pulverizada para proteger y prolongar la vida útil de la unidad, y proporciona almacenamiento para boquillas. La bomba de grado comercial tiene pistones de cerámica que proporcionan una larga vida a la bomba. La bomba y el motor están montados en un carro con estructura de acero resistente cubierta con pintura pulverizada. El carro cuenta con ruedas neumáticas y un mango plegable para un almacenamiento compacto. La pistola/lanza, la manguera de alta presión y el cable de energía se guardan prolijamente en el carro.

LEA Y SIGA TODAS LAS INSTRUCCIONES

GUARDE ESTAS INSTRUCCIONES – NO LAS DESECHE

Medidas de Seguridad

Este manual contiene información que es muy importante que sepa y comprenda. Esta información se la suministramos como medida de SEGURIDAD y para EVITAR PROBLEMAS CON EL EQUIPO. Debe reconocer los siguientes símbolos.

⚠ PELIGRO Esto le indica que hay una situación inmediata que LE OCASIONARIA la muerte o heridas de gravedad.

⚠ ADVERTENCIA Esto le indica que hay una situación que PODRIA ocasionarle la muerte o heridas de gravedad.

RECORDATORIO: ¡Guarde su comprobante de compra con fecha para fines de la garantía! Adjúntela a este manual o archívela en lugar seguro.

LEA Y SIGA TODAS LAS INSTRUCCIONES • GUARDE ESTAS INSTRUCCIONES • NO LAS DESECHE

Medidas de Seguridad (Continuación)

PRECAUCION Esto le indica que hay una situación que PODRIA ocasionarle heridas no muy graves.

AVISO Esto le indica una información importante, que de no seguirla, le podría ocasionar daños al equipo.

NOTA: Nota indica información adicional referente al producto o a su uso correcto.

Informaciones Generales de Seguridad

INSTRUCCIONES EN REFERENCIA AL PELIGRO DE INCENDIOS, CHOQUE ELÉCTRICO O LESIONES PERSONALES

Este manual contiene información sobre seguridad, funcionamiento y mantenimiento. Si tiene preguntas, llame al 1-800-330-0712 para obtener asistencia al cliente.

ADVERTENCIA Cuando se usen herramientas, siempre se deberán seguir precauciones básicas, incluyendo las siguientes:

PROPOSICIÓN 65 DE CALIFORNIA

ADVERTENCIA Este producto y su cable de corriente contienen plomo, un químico que es conocido por el Estado de California como causante de cáncer y defectos de nacimiento u otros daños reproductivos. Lávese las manos después de manipularlo.

GENERAL

- Para reducir el riesgo de choque eléctrico, incendio y lesiones personales, lea todas las instrucciones antes de usar la herramienta. Si no respeta las advertencias, los riesgos y las recomendaciones, eso podría resultar en la MUERTE o en LESIONES GRAVES.
- Familiarícese con los controles y el uso adecuado del equipo. Siga todas las instrucciones. Póngase en contacto con su representante Campbell Hausfeld si tiene alguna pregunta.
- Sólo se les debe permitir usar esta unidad a aquellas personas bien familiarizadas con estas reglas de manejo seguro.
- Cumpla con todos los códigos de seguridad así como también con la Ley de salud y seguridad ocupacional (OSHA).



ÁREA DE TRABAJO

- Mantenga a todas las personas alejadas del área de funcionamiento.
- Mantenga el área de trabajo limpia y bien iluminada. Los bancos desordenados y las áreas oscuras aumentan el riesgo de choque eléctrico, incendio y lesiones personales.
- No haga funcionar la herramienta en entornos explosivos, como por ejemplo cuando haya polvo, líquidos o gases inflamables. La herramienta puede crear chispas y provocar la ignición de polvo o vapores.
- NUNCA rocíe líquidos inflamables ni use la lavadora a presión en áreas que contengan polvo, líquidos o vapores combustibles.



- Nunca ponga esta máquina en funcionamiento en un edificio cerrado o dentro o cerca de un entorno explosivo.

SEGURIDAD PERSONAL

- Manténgase alerta. Mire lo que está haciendo y use el sentido común cuando haga funcionar la herramienta. No use la herramienta si está cansado o bajo la influencia de drogas, alcohol o medicamentos. Un momento de desatención mientras hace funcionar la herramienta aumenta el riesgo de lesiones personales.
- Vístase adecuadamente. No use alhajas ni vestimenta suelta. Sujétese el cabello largo. Mantenga el cabello, vestimenta y guantes alejados de las piezas móviles. La vestimenta suelta, las alhajas o el cabello largo aumentan el riesgo de lesiones personales como resultado de quedar atrapados en las piezas móviles.
- No intente alcanzar lugares alejados. Mantenga un buen soporte y equilibrio en todo momento. Un soporte y equilibrio adecuados permiten un mejor control de la herramienta en situaciones inesperadas.



ADVERTENCIA Riesgo de inyección o lesiones graves. Manténgase alejado de la boquilla. No descargue chorros hacia las personas. Este producto está diseñado para que lo usen únicamente operadores capacitados. Siempre retire la lanza de la pistola antes de limpiar la suciedad de la boquilla.



- Manténgase alejado de la boquilla. NUNCA dirija el rociado de alta presión a ninguna persona, animal ni a usted mismo.
- NUNCA coloque las manos o los dedos sobre la boquilla rociadora durante el funcionamiento de la unidad.
- NUNCA intente detener ni desviar las pérdidas con partes de su cuerpo.

ADVERTENCIA Asegurarse de que la herramienta se use únicamente cuando el operador y todo el resto del personal en el área de trabajo estén usando equipo de protección ocular ANSI Z87, y cuando sea necesario, demás equipo de protección adecuado como para la protección de la cabeza, protección auditiva, guantes, botas de goma, ropa de protección al operar el equipo y realizar el mantenimiento. Pueden ocasionarse lesiones graves o permanentes de ojos y oídos.



SEGURIDAD ELÉCTRICA

INSTRUCCIONES DE CONEXIÓN A TIERRA

Este producto debe estar conectado a tierra. En caso de que haya un funcionamiento defectuoso o una avería, la conexión a tierra proporciona la ruta de menor resistencia a la corriente eléctrica para reducir el riesgo de choques eléctricos. Este producto está equipado con un cable que tiene un conductor de conexión a tierra del equipo y un enchufe con conexión a tierra. El enchufe debe estar enchufado a un tomacorriente adecuado, que esté correctamente instalado y con conexión a tierra de acuerdo a todos los códigos y ordenanzas locales.

PELIGRO La conexión incorrecta del conductor de descarga a tierra del equipo puede dar como resultado un riesgo de electrocución. Consulte a un electricista o personal



Medidas de Seguridad (Continuación)

de servicio calificados si tiene dudas sobre si el tomacorriente está bien conectado a tierra. No modifique el enchufe que se proporciona con el producto, si no lo puede conectar al tomacorriente, haga que un electricista calificado instale el tomacorriente adecuado. No utilice ningún tipo de adaptador con este producto.

⚠️ ADVERTENCIA Riesgo de electrocución

- Este producto se proporciona con un interruptor de circuito de descarga a tierra, GFCI, incorporado en el enchufe del cable de corriente. Asegúrese de inspeccionar el cable y el GFCI antes de usar. Cualquier reparación o reemplazo del cable de corriente deben ser realizados por un técnico electricista calificado (licenciado o certificado). Si fuera necesario reemplazar el enchufe o el cable, use sólo piezas de repuesto idénticas.
- NUNCA use un cable de extensión con este producto.
- Conéctela únicamente a un tomacorriente adecuadamente conectado a tierra. No elimine la clavija de conexión a tierra.
- Inspeccione el cable antes de usar la unidad - No la use si el cable está dañado.
- Mantenga todas las conexiones eléctricas secas y lejos del suelo.
- No toque el enchufe con las manos mojadas.
- No rocíe sobre aparatos eléctricos ni cableados.

USO Y CUIDADO DE LA HERRAMIENTA

⚠️ ADVERTENCIA No ejerza presión que exceda la presión de funcionamiento de cualquiera de las piezas (mangueras, accesorios, etc.) en el sistema presurizado. Asegúrese de que todo el equipo y los accesorios estén clasificados para soportar la máxima presión de funcionamiento de la unidad.

- Cuide su herramienta. Una herramienta mantenida adecuadamente reduce el riesgo de problemas y es más fácil de controlar.
- Asegúrese de que los dispositivos de seguridad estén funcionando correctamente antes de cada uso. NO quite ni modifique ninguna pieza de la pistola o la unidad.
- NUNCA ponga la máquina en funcionamiento sin que los componentes estén debidamente conectados a la máquina (mango, pistola/ensamble de la varilla, boquilla, etc.).
- Apunte la pistola en una dirección segura. La unidad comenzará a rociar cuando se apriete el gatillo si el interruptor de encendido y apagado ("On/Off") se encuentra en la posición de encendido de la lavadora a presión ["ON"].
- Aprenda cómo detener este producto y liberar la presión rápidamente. Familiarícese bien con los controles.
- SIEMPRE enganche el pasador de seguridad del gatillo en la posición segura cuando detiene el rociado, aunque sea solamente por algunos minutos.
- NUNCA enganche el mecanismo del gatillo en forma permanente en la pistola.
- SIEMPRE siga las recomendaciones que se encuentran en la etiqueta del fabricante para el uso adecuado de

detergentes. Siempre protéjase los ojos, la piel y las vías respiratorias del uso de detergentes.

- NUNCA desconecte la manguera de descarga de alta presión de la máquina mientras el sistema esté presurizado. Para despresurizar la máquina, apague la corriente eléctrica y el suministro de agua, luego presione el gatillo de la pistola 2 ó 3 veces.
- Desenchufe la unidad cuando no la esté usando.
- Siga las instrucciones de mantenimiento que se especifican en el manual.

AVISO Daño al equipo:

- SIEMPRE encienda el suministro de agua antes de encender la lavadora a presión. **El poner la bomba seca en funcionamiento provoca graves daños.**
- No ponga en funcionamiento la lavadora a presión si se ha quitado la rejilla de la entrada de agua. Mantenga la rejilla libre de residuos y sedimentos.
- NUNCA opere la lavadora a presión si tiene piezas rotas o si le faltan piezas. Verifique el equipo periódicamente y repare o reemplace las piezas desgastadas o dañadas inmediatamente.
- Use sólo la boquilla que se proporciona con esta máquina.
- NUNCA deje la varilla de pulverización sin supervisión mientras la máquina está en funcionamiento.
- SIEMPRE sostenga la pistola y la varilla de pulverización con firmeza cuando encienda y opere la máquina.
- NUNCA permita que la unidad funcione durante más de un (1) minuto sin apretar el gatillo (desactivado). La acumulación de calor producida dañará la bomba.
- Suelte el gatillo cuando cambia de modos de alta presión a baja presión. El no hacerlo puede causar daños a la boquilla.
- NUNCA guarde la lavadora a presión a la intemperie o donde pudiera congelarse. Las temperaturas de congelación pueden dañar seriamente la bomba.

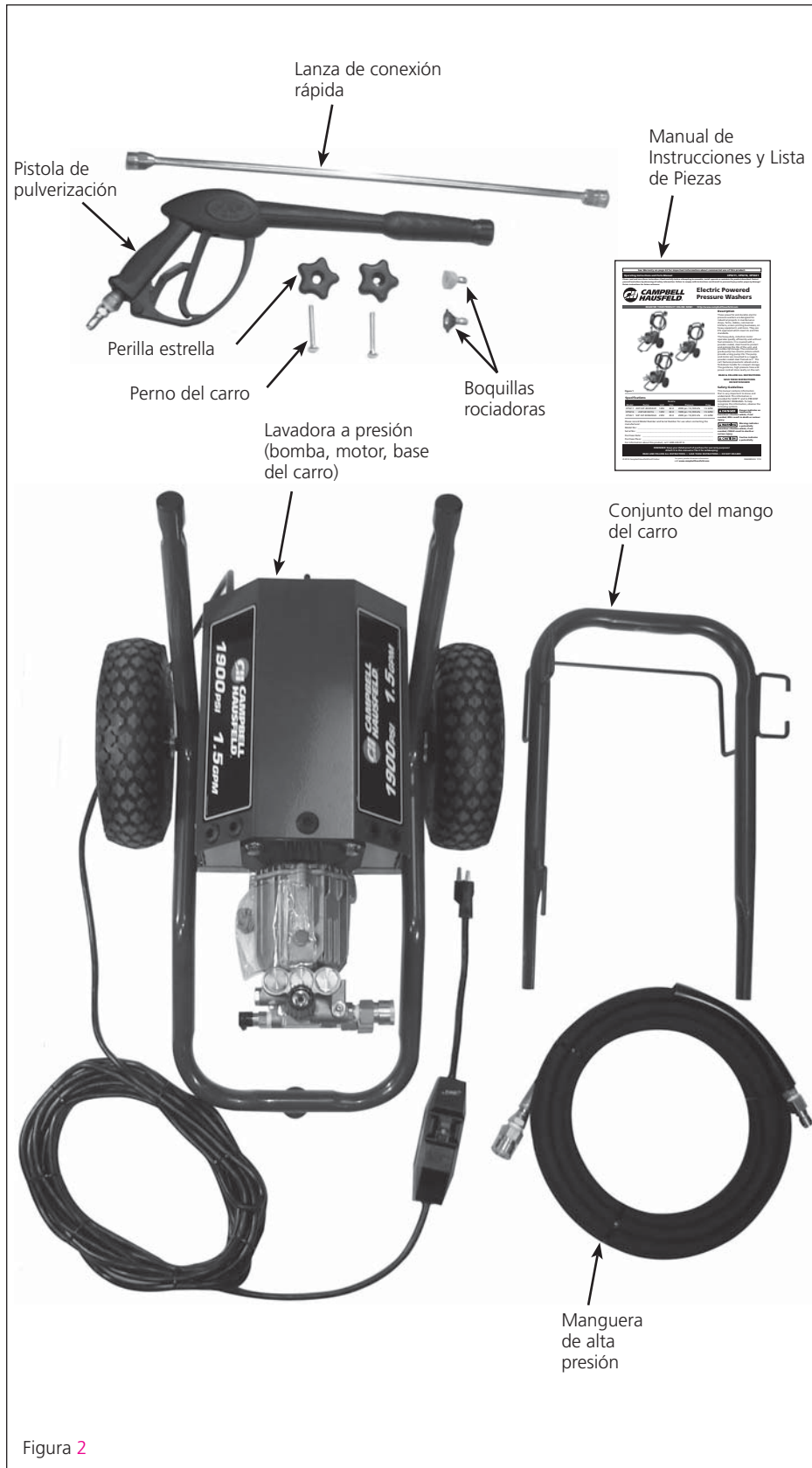
SERVICIO

- Al realizarle un servicio a la herramienta, utilice únicamente piezas de repuesto idénticas. Use sólo piezas autorizadas.

Los símbolos de **PELIGRO, ADVERTENCIA, PRECAUCIÓN, y AVISO** y las instrucciones en este manual no pueden posiblemente cubrir todas las condiciones y situaciones posibles que puedan presentarse. El operador debe entender que la precaución es un factor que no puede ser incluido en el producto, sino que debe ser proporcionada por el operador.

**GUARDE ESTAS INSTRUCCIONES –
NO LAS DESECHE**

Desempaque



Después de desempacar la unidad, inspecciónela detenidamente para detectar cualquier daño que pueda haber ocurrido durante su traslado. Verifique que no haya piezas sueltas, faltantes ni dañadas. Cerciórese de apretar todas las conexiones, pernos, etc. antes de usar la lavadora a presión. Asegúrese de que todos los accesorios proporcionados vengan con la unidad. Si falta alguna de las piezas, **NO DEVUELVA LA UNIDAD AL VENDEDOR**. Busque el número de modelo de la unidad (ubicado en la etiqueta del número de serie en la estructura de la lavadora a presión) y llame 1-800-330-0712 para obtener piezas de repuesto.

⚠ ADVERTENCIA *No debe utilizar la unidad si se ha dañado durante el envío, manejo o uso. Los daños podrían ocasionar una explosión y ocasionarle heridas o daños a su propiedad.*

CONTENIDO DE LA CAJA

- ◆ Una lavadora a presión (bomba, motor, base del carro)
- ◆ Un conjunto del mango del carro
- ◆ Una pistola de pulverización y una lanza de conexión rápida
- ◆ Dos boquillas rociadoras para el modelo CP5216
Cuatro boquillas rociadoras para el modelo CP5321
Cinco boquillas rociadoras para el modelo CP5211
- ◆ Una manguera de alta presión
- ◆ Un paquete con tuercas, pernos y manuales

ARTÍCULOS ADICIONALES NO INCLUIDOS

- ◆ Protección para los ojos ANSI Z87
- ◆ Manguera de jardín

Figura 2

Conozca su Lavadora a Presión

USOS RECOMENDADOS PARA ESTA LAVADORA A PRESIÓN

- ◆ Plataformas
- ◆ Revestimientos exteriores
- ◆ Vehículos

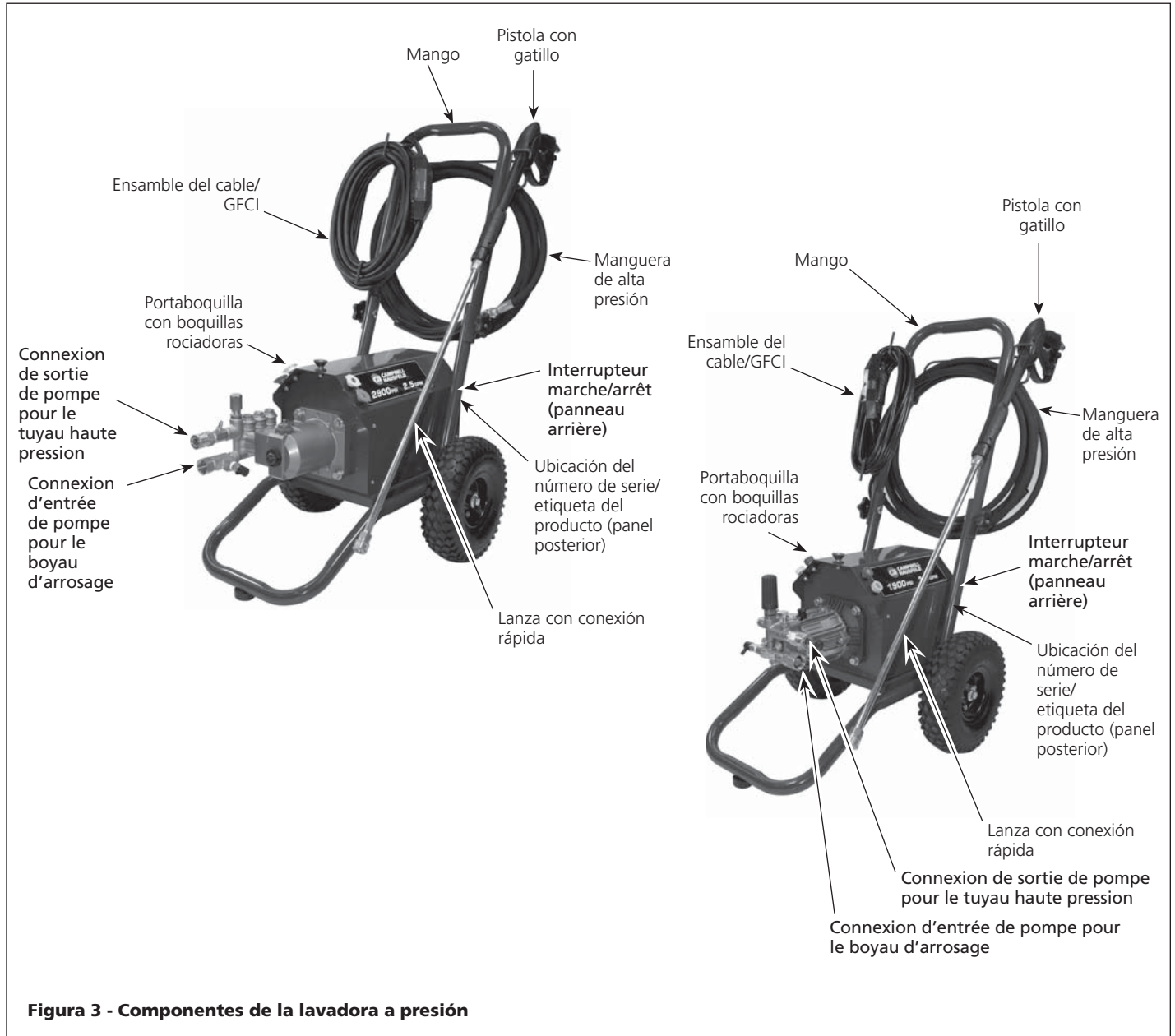


Figura 3 - Componentes de la lavadora a presión

Glosario

Familiarícese con estos términos antes de poner la unidad en funcionamiento.

GPM (GALONES POR MINUTO) - más agua por minuto puede significar una limpieza más rápida, especialmente al lavar para quitar materiales como barro y asfalto.

GFCI (INTERRUPTOR DE CORRIENTE CON DESCARGA A TIERRA) - el GFCI protege al usuario de ser electrocutado accidentalmente (únicamente para lavadoras a presión eléctricas).

BAR (PSI) (LIBRAS POR PULGADA CUADRADA) - unidades de medida de presión. Determinan cuánta presión se aplica directamente sobre la superficie que se limpia. La presión proporcionada por la lavadora a presión es directamente responsable de separar los desechos y la superficie que se limpia.

Ensamblaje y Antes del Funcionamiento

ENSAMBLAJE Y ANTES DEL FUNCIONAMIENTO

1. Deslice el ensamblaje del mango sobre las patas inferiores de la base del carro. Use la perilla estrella (que se proporciona) y los pernos para asegurar el mango a las patas (Ver Figura 4).
2. Presione la manguera plástica para detergente sobre el conector dentado (Ver Figura 5).
3. Inserte las boquillas de conexión rápida en los soportes de goma en la parte frontal de la placa del letrero (Ver Figura 6).
4. Asegure la manguera de jardín (no se incluye) a la conexión de entrada de la bomba (Ver Figura 7).
5. Conecte la manguera de alta presión a la salida de la bomba (Ver Figura 8).
6. Conecte la lanza a la pistola (ver la Figura 9).
7. Instalar la boquilla de conexión rápida (Ver Figura 10).

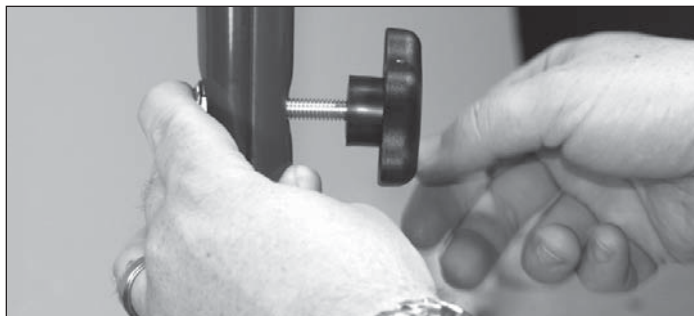


Figura 4 - Ensamblaje del mango

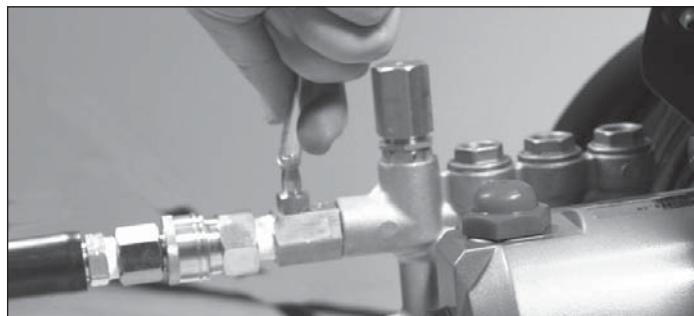


Figura 6 - Inserte las boquillas rociadoras en el porta boquillas

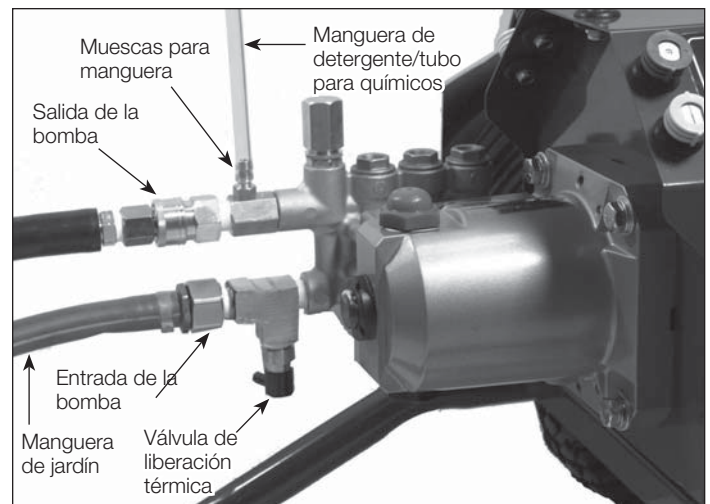


Figura 7 - Conexión de la bomba

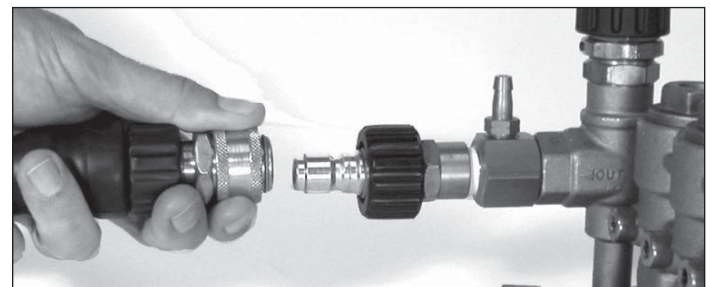


Figura 8 - Conecte la manguera de alta presión a la bomba



Figura 9 - Conecte la lanza a la pistola

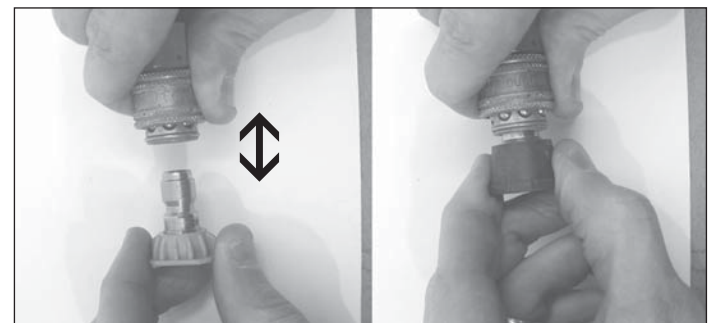


Figura 10 - Boquilla de conexión rápida

Ensamblaje y Antes del Funcionamiento (Continuación)

SEGURO DEL GATILLO

En la posición de trabado, el seguro evita que la pistola se dispare accidentalmente.

Presione el seguro totalmente hacia abajo para destrabarlo (Ver Figura 11 y 12).

Siempre trabe el seguro del gatillo cuando la unidad no se está usando.



Figura 11 - Gatillo trabado

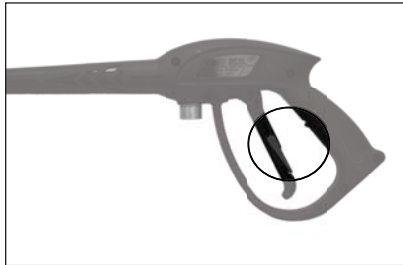


Figura 12 - Gatillo sin trabar

Funcionamiento

PREPARACIÓN DE SUPERFICIE

El siguiente procedimiento de limpieza le ayudará a organizar su tarea de limpieza y asegura que logrará el mejor resultado en la menor cantidad de tiempo. Recuerde usar las técnicas de rociado/ limpieza que se mencionan en las secciones siguientes.

Antes de comenzar un trabajo de limpieza de lavado a presión, prepare la superficie que pretende limpiar. Despeje el mobiliario del área y asegúrese de que todas las ventanas y puertas estén bien cerradas. Además proteja todas las plantas y árboles próximos al área de limpieza cubriéndolos con una tela. Al cubrirlos se asegura que sus plantas no sean rociadas con los detergentes.

ENCENDIDO

SIEMPRE use este procedimiento de encendido para asegurarse de que la unidad sea iniciada adecuadamente y con seguridad.

AVISO

Si el agua se ha congelado en la lavadora a presión, descongele la lavadora a presión en una habitación templada antes de encenderla. NO vierta agua caliente sobre o dentro de la bomba; esto puede dañar las piezas interiores.

1. Asegúrese de que el interruptor de energía esté en la posición de apagado ("OFF").
2. Conecte una manguera de jardín al lado interno de la bomba y conéctela al suministro de agua. Utilice una manguera con un diámetro interior de 15,9 mm (5/8 inch) y un largo de 15 m (50 pies) o menos.

AVERTISSEMENT

Algunos códigos locales de plomería exigen una prevención de retroceso cuando se realiza una conexión a un suministro de agua

fresca. Instale un dispositivo para evitar el retroceso del flujo de agua de la bomba si fuera necesario.

- a. Si la presión de entrada de agua es superior a 6,90 bar, instale una válvula reguladora de agua en la conexión de la manguera de jardín.
- b. No supere una temperatura de entrada de agua de 38° C (100°F).

NOTA: El suministro de agua de entrada debe tener una velocidad mínima de flujo de 19 lpm (5 gpm).

3. ABRA el suministro de agua.

AVISO

Nunca haga funcionar la unidad sin agua. Asegúrese de que el suministro de agua esté totalmente abierto antes de hacer funcionar la unidad.

4. Presione el gatillo de la pistola hasta que salga agua de la boquilla, lo cual indica que se ha purgado el aire del sistema. Coloque el pasador de seguridad del gatillo.
5. Enchufe el cable de corriente en un tomacorriente de 120 V con conexión a tierra (solo para modelos CP5211 y CP5216; el modelo CP5321 requiere una toma de 230V), que se encuentre en un circuito dedicado. Presione el botón de reinicio en el adaptador de GFCI del enchufe. Esto debe hacerse cada vez que la unidad se enchufa en un tomacorriente.

ENJUAGUE INICIAL DE ALTA PRESIÓN

Rocíe la superficie a limpiar con agua para quitar la suciedad o las manchas que puedan haberse acumulado sobre la superficie. Hacer esto permite que el detergente ataque la suciedad profunda que se ha introducido dentro de la superficie a limpiar.

Apriete el gatillo de la pistola entre 3 y 5 veces para eliminar cualquier resto de aire que haya quedado en el sistema.

AJUSTE DEL ÁNGULO DE ROCIADO

Con esta lavadora a presión se incluyen dos boquillas rociadoras de

conexión rápida para el modelo CP5216, cuatro boquillas de conexión rápida para el modelo CP5321

y cinco boquillas de conexión rápida para el modelo CP5211.

Las boquillas tienen un rango de ángulos de pulverización en abanico, que van desde 0°, estrecho y de alto impacto, hasta 65° de ancho para un pulverizado amplio.

La presión también puede ajustarse acercándose o alejándose de la

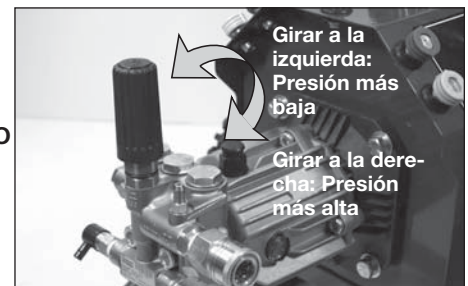


Figura 13 - Ajuste de la presión para el modelo CP5216



Figura 14 - Chorro angosto de alto

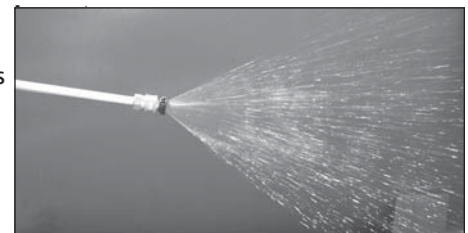


Figura 15 - Patrón de abanico amplio

Funcionamiento (Continuación)

superficie que se está limpiando y ajustando el ángulo de la pulverización como se muestra.

ÁNGULO CON RESPECTO A LA SUPERFICIE A LIMPIAR

Cuando rocíe agua contra una superficie, puede generar un impacto máximo al apuntar a la superficie en un ángulo perpendicular. Sin embargo, este tipo de impacto puede causar que las partículas de suciedad se incrusten en la superficie evitando así que se logre la acción deseada.

El mejor ángulo para rociar el agua contra la superficie de limpieza es de 45°.

Rocíe agua contra una superficie en un ángulo de 45 grados para lograr el impacto de mayor beneficio y quitar de esta forma los restos eficientemente.



Figura 16 - Angle optimum par rapport à la surface à nettoyer

DISTANCIA A LA SUPERFICIE DE LIMPIEZA

La distancia entre la boquilla rociadora y las superficies a limpiar es otro factor que afecta la fuerza de impacto del agua. La fuerza de impacto del agua aumenta si se acerca la boquilla a la superficie.

CÓMO EVITAR DAÑOS A LA SUPERFICIE

El daño a las superficies de limpieza ocurre cuando la fuerza de impacto del agua excede la resistencia de la superficie. Se puede variar la fuerza del impacto regulando el ángulo y la distancia de la boquilla rociadora con relación a la superficie a limpiar; también se puede cambiar la boquilla rociadora. NUNCA utilice un chorro angosto de alto impacto sobre una superficie propensa a ser dañada. Evite rociar ventanas con un chorro angosto de alto impacto. Si lo hace es posible que rompa la ventana. La forma más segura para evitar daños a las superficies es siguiendo estos pasos:

1. Antes de presionar el gatillo de la pistola, asegúrese de que la boquilla de conexión rápida que está usando sea apropiada para la aplicación.
2. Coloque la boquilla rociadora aproximadamente a 4-5 pies (1,22-1,52 m) de la superficie a limpiar. Luego sostenga la lanza y la boquilla rociadora a un ángulo de 45 grados de la superficie a limpiar. Presione el gatillo de la pistola.
3. Varíe el ángulo de rociado del patrón de abanico y la distancia a la superficie de limpieza hasta que se logre una eficiencia de limpieza.

APLICACIÓN DE DETERGENTE

NOTA: Use sólo detergentes formulados para lavadora a presión. Pruebe el detergente en un área poco aparente antes de usarlo. No use blanqueador con esta unidad de lavadora a presión.

DETERGENTES

El uso de detergentes puede reducir en gran forma el tiempo de limpieza y puede ayudar a quitar las manchas difíciles. Muchos detergentes están diseñados para ser usados con lavadoras a presión en tareas de limpieza específicas. Los

detergentes para lavadoras a presión son igual de espesos que el agua. Si se utilizan detergentes más espesos, como por ejemplo detergentes para lavar vajilla, obstruirán el sistema de inyección de productos químicos y evitarán la aplicación de detergentes.

Una vez aplicados a la superficie a limpiar, los detergentes toman un tiempo para ejercer una acción sobre la suciedad y las manchas. Los detergentes funcionan mejor cuando se aplican a baja presión.

Usted puede limpiar superficies de un modo efectivo combinando la acción química de los detergentes junto con los enjuagues de alta presión. Sobre superficies verticales, aplique el detergente de abajo hacia arriba. Este método evita que el detergente se deslice y provoque marcas. Comience la limpieza a alta presión por la parte superior y avance hacia abajo. En manchas particularmente difíciles, utilice un cepillo en combinación con los detergentes y el enjuague a alta presión.

1. Siga las indicaciones del fabricante, que aparecen en la etiqueta, para utilizar las concentraciones de mezcla correctas de los jabones/detergentes. La proporción de jabón/detergente con respecto al agua para la bomba es de aproximadamente 10% (1 a 10).
2. Introduzca el extremo del filtro del tubo de detergente de plástico transparente dentro del recipiente de detergente.
3. Use la boquilla rociadora negra de conexión rápida de 65°.

CONSEJOS GENERALES DE LIMPIEZA

1. Aplique el detergente para que cubra totalmente la superficie a limpiar. Aplique el detergente de abajo hacia arriba para evitar que éste se deslice hacia abajo y deje marcas. Espere un par de minutos para que el detergente actúe sobre la suciedad y las manchas. Utilice un cepillo para cepillar levemente las áreas más sucias. Nunca permita que el detergente se seque sobre la superficie a limpiar.
2. Para enjuagar: reemplace la boquilla rociadora negra de 65° con una boquilla de otro color.

⚠ ADVERTENCIA *Nunca reemplace la boquilla de conexión rápida si el gatillo de la pistola está presionado. Siempre trabe el gatillo de la pistola antes de retirar o instalar boquillas de conexión rápida.*

3. Después de usar detergentes, enjuagar el sistema de succión colocando el tubo de succión de detergente en un balde de agua limpia y haciendo funcionar la unidad con la boquilla negra.

PODER DE LIMPIEZA

La forma más fácil de regular el poder de limpieza de su lavadora a presión es cambiando la distancia a la superficie que está limpiando. Comience a rociar con un patrón de abanico amplio mientras se para a varios pies de la superficie. Acérquese lentamente al objeto que está limpiando, mientras ajusta el patrón de rociado según sea necesario, hasta que encuentre la técnica de limpieza más eficaz.

NOTA: la unidad también puede tener una perilla de ajuste de la presión en la bomba que puede ajustar la presión.

ENJUAGUE FINAL

El enjuague final debe comenzar en la parte superior y avanzar hacia abajo. Asegúrese de enjuagar totalmente la superficie y de quitar todo el detergente.

Funcionamiento (Continuación)

PROCEDIMIENTO DE LIBERACIÓN DE PRESIÓN

Para reducir el riesgo de lesiones corporales o daño a la propiedad, siempre siga este procedimiento cuando detiene el rociado, cuando finaliza el trabajo y antes de revisar o reparar cualquier parte del sistema.

1. Coloque el seguro del gatillo.
2. Apague la unidad.
3. Cierre el suministro de agua.
4. Suelte el seguro del gatillo y apriete el gatillo de la pistola para liberar la presión.
5. Vuelva a colocar el seguro del gatillo.
6. Cuando verifique o repare la unidad, quite el enchufe del tomacorriente de pared.
7. Antes de guardar la unidad de un día para el otro, durante un largo tiempo o para transportarla, desconecte el suministro de agua.

APAGADO

1. Asegúrese de enjuagar todo el detergente del sistema.
2. Apague el motor.
3. Cierre el suministro de agua.
4. Después de apagar el motor y cerrar el suministro de agua, apriete el gatillo para quitar la presión del sistema.

AVISO

NUNCA cierre el suministro de agua antes de apagar el motor. Pueden ocurrir daños graves a la bomba y/o al motor.

PRECAUCION

Nunca desconecte la manguera de descarga de alta presión desde la máquina mientras el sistema está presurizado. Para despresurizar apague el motor, cierre el suministro de agua y presione el gatillo 2-3 veces.

5. Después de cada uso, limpie todas las superficies con un paño húmedo y limpio.

ALMACENAMIENTO

- Nunca vaya a guardar la lavadora a presión a la intemperie.
- No guarde la lavadora a presión en un lugar en el que pueda congelarse, a menos que haya sido preparada adecuadamente para el invierno.

INSTRUCCIONES DE PREPARACIÓN PARA EL INVIERNO

1. Desconecte la manguera de alta presión de la bomba.
2. Introduzca un trozo de manguera de jardín de 30,48 cm (12") a 35,56 cm (14") dentro de la entrada de la bomba.
3. Coloque un embudo en el otro extremo de la manguera de jardín.

AVISO

Lea las instrucciones del fabricante para manejar y desechar con seguridad el anticongelante RV.

4. Vierta aproximadamente 177 mL (6 oz.) de anticongelante RV dentro del embudo.
5. Encienda y apague el interruptor brevemente hasta que salga el anticongelante de la válvula de liberación de la salida de la bomba.
6. Desconecte la manguera de alta presión de la pistola y drene la manguera. Sostenga la pistola y la lanza en posición vertical y presione el gatillo para drenar el agua.

CONSEJOS PARA PROLONGAR LA VIDA DE SU LAVADORA A PRESIÓN

1. Nunca haga funcionar la unidad sin agua.

2. Su lavadora a presión no está diseñada para bombear agua caliente. Nunca conecte su lavadora a presión a un suministro de agua caliente ya que esto reducirá en forma significativa la vida de la bomba.
3. Hacer funcionar la unidad durante más de un minuto sin rociar agua provoca que se acumule calor en la bomba. Operar la unidad sin rociar agua acortará la vida de los componentes de la bomba.

Mantenimiento

Para asegurar una vida y un rendimiento máximos de la lavadora a presión, cumpla con intervalos de mantenimiento regulares. Remítase al plan de mantenimiento recomendado. Si usted hace funcionar la lavadora a presión en ambientes con mucho polvo, realice revisiones de mantenimiento con más frecuencia.

PLANIFICACIÓN DEL MANTENIMIENTO

PLANIFICACIÓN DEL MANTENIMIENTO	ACCIÓN NECESARIA:
A diario	Verifique la rejilla y el filtro de entrada del agua

INFORMACIÓN TÉCNICA Y PARA EL CONSUMIDOR

LAVADORAS A PRESIÓN DE ORIENTACIÓN HORIZONTAL	
CAPACIDAD DE ACEITE DE LA BOMBA	
XJV	133 mL. aceite AR64545
4DX y 4DNX	251,3 mL. aceite para bomba CAT
SUCCIÓN DEL DETERGENTE DE LA BOMBA	
Proporción de agua/detergente	10 a 1 (10% de detergente)
REQUISITOS DEL SUMINISTRO DE AGUA	
Presión mínima de entrada	1,38 bar
Presión máxima de entrada	6,90 bar
Temperatura máxima de entrada	37,7°C (100°F)
Mínimo caudal de entrada	19 l/m (5 gpm)
Tamaño de la manguera de jardín de entrada	15,9 mm (5/8 pulg.) de diámetro interno
Largo máximo de la manguera de jardín de entrada	15,2 m. (50 pies)

ASISTENCIA TÉCNICA

Para mayor información en relación al funcionamiento o reparación de este producto, comuníquese con el concesionario de Campbell Hausfeld más cercano a su domicilio.

INFORMACIÓN SOBRE REPUESTOS

Para obtener información con respecto a piezas de repuesto pedidas, llame sin costo al 1-800-330-0712.

Sírvase suministrarnos la siguiente información:

- Número del Modelo
- Código estampado
- Número y descripción del repuesto.

Puede escribirnos a:
Campbell Hausfeld
100 Production Drive
Harrison, Ohio 45030 U.S.A.

Diagramas de cableado

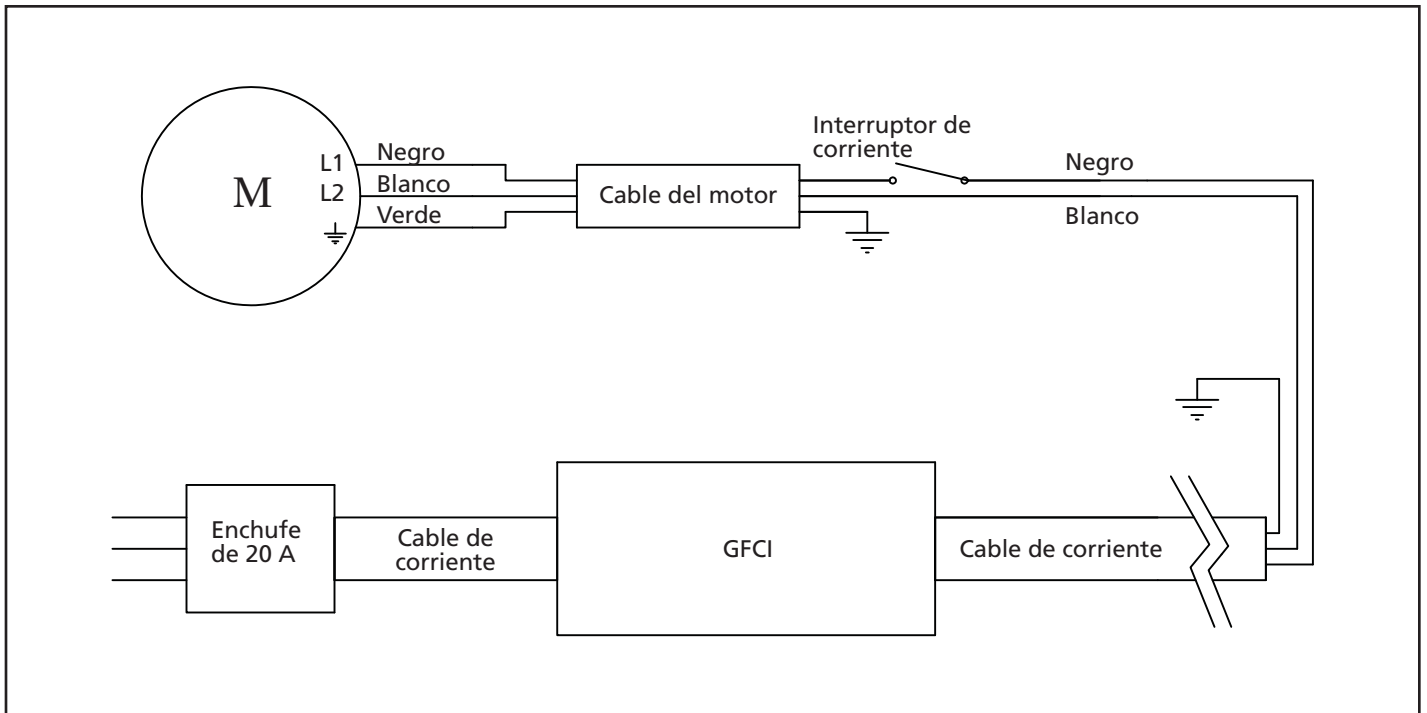


Figura 22 - Diagrama de cableado 115V

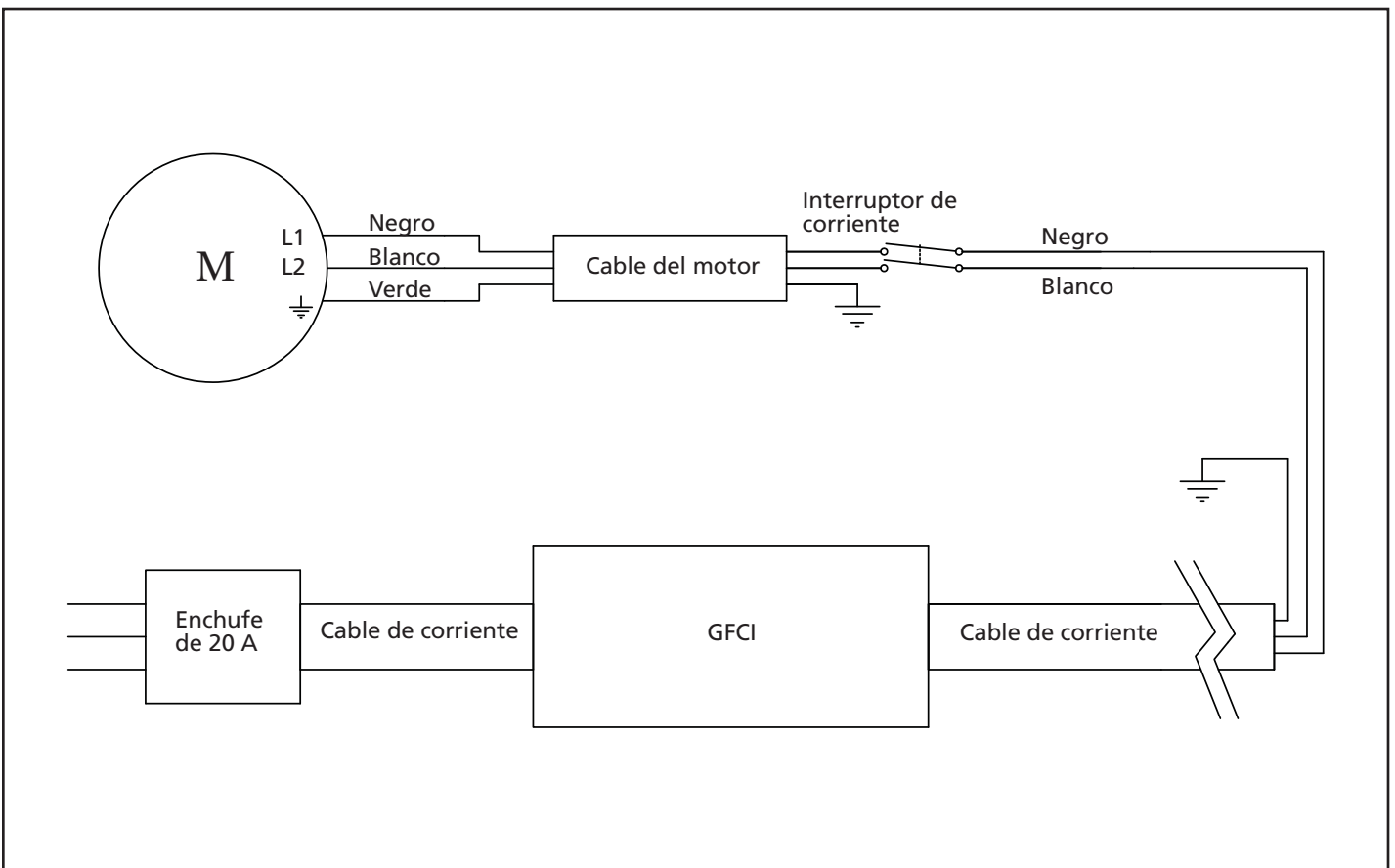


Figura 23 - Diagrama de cableado 230V

Guía General de Diagnóstico de Averías

Problema	Causa(s) Posible(s)	Acción a tomar
La presión baja y/o la bomba funciona toscamente	<ol style="list-style-type: none"> 1. Boquilla gastada o de tamaño equivocado 2. Filtro de entrada o bomba obstruida 3. Sellos de agua desgastados, abrasivos en el agua, o desgaste natural 4. Válvulas de descarga o de entrada sucias 5. Entrada restringida 6. Válvulas de descarga o de entrada desgastadas 7. Manguera de alta presión con pérdidas 8. Bomba aspira aire 9. Asiento de la válvula de descarga fallado o desgastado 	<ol style="list-style-type: none"> 1. Reemplace con una boquilla del tamaño correcto 2. Límpiela. Verifique con más frecuencia 3. Revise el filtro. Cambie los sellos de agua. Consulte el centro de servicio 4. Limpie los ensamblajes de las válvulas de entrada y descarga. Revise el filtro 5. Revise la manguera de jardín, puede estar colapsada o plegada. Revise el flujo de entrada de agua 6. Reemplace las válvulas desgastadas 7. Reemplace la manguera de alta presión 8. Asegúrese de que las mangueras y los accesorios estén ajustados 9. Revíselo y reemplácelo
Pérdida de agua debajo del distribuidor	Sellos de agua desgastados	Instale nuevos sellos de agua. Consulte al centro de servicio
Agua en el cárter de la bomba (aceite lechoso)	<ol style="list-style-type: none"> 1. Aire húmedo se condensa dentro del cárter 2. Sellos de aceite con pérdidas 	<ol style="list-style-type: none"> 1. Cambie el aceite como se especifica en el plan de mantenimiento 2. Instale nuevos sellos de aceite. Consulte al centro de servicio
Fallas frecuentes o prematuras de los sellos de agua de la bomba	<ol style="list-style-type: none"> 1. Émbolos rayados, dañados o desgastados 2. Material abrasivo en el fluido 3. Temperatura del agua de entrada demasiado alta 4. La bomba presuriza demasiado 5. Demasiada presión debido a que la boquilla está dañada o parcialmente tapada. 6. La bomba funciona demasiado sin rociar 7. La bomba funciona sin agua 	<ol style="list-style-type: none"> 1. Instale émbolos nuevos. Consulte al centro de servicio 2. Instale un filtrado adecuado en la tubería de entrada de la bomba 3. Verifique la temperatura del agua; no puede exceder los 38° C. 4. No modifique ningún valor de fábrica 5. Limpiar o reemplazar la boquilla. 6. Nunca haga funcionar la bomba durante más de 2 minutos sin rociar 7. No haga funcionar la bomba sin agua
Fuertes pulsaciones en la entrada y baja presión	Partículas extrañas en la válvula de entrada o de descarga o válvulas de entrada y/o de descarga desgastadas	Limpie o reemplace las válvulas. Consulte al centro de servicio
Pérdidas de aceite entre el motor y la bomba	Anillo O y/o sellos de aceite desgastados	Reemplace el anillo O y/o los sellos de aceite. Consulte el centro de servicio
Presión fluctuante	<ol style="list-style-type: none"> 1. Válvula desgastada, sucia o trabada 2. La bomba aspira aire 3. Boquilla obstruida 	<ol style="list-style-type: none"> 1. Revise y reemplace 2. Asegúrese de que las mangueras y los accesorios están ajustados. Purgue el aire de la manguera de jardín 3. Revise o reemplace

Continúa en la página siguiente

Guía General de Diagnóstico de Averías

Problema	Causa(s) Posible(s)	Acción a tomar
Disminuye la presión luego de un período de uso normal	<ol style="list-style-type: none"> 1. Sellos de agua de la bomba desgastados 2. Boquilla desgastada 3. Válvula desgastada, sucia o atorada 4. Asiento de la válvula de descarga desgastado o sucio 5. Boquilla en la posición de presión baja 	<ol style="list-style-type: none"> 1. Revise y reemplace 2. Revise y reemplace 3. Revise, limpie o reemplace 4. Revise, limpie o reemplace 5. Tire la boquilla hacia atrás a la posición de alta presión
La lavadora a presión no se enciende	<ol style="list-style-type: none"> 1. Se disparó el GFCI 2. El enchufe no está bien conectado o el tomacorriente eléctrico está defectuoso 3. El cable de extensión es demasiado largo o el tamaño del cable es demasiado pequeño. 4. El suministro de voltaje principal es demasiado bajo 5. Se disparó el interruptor térmico de seguridad 	<ol style="list-style-type: none"> 1. Presione el botón de reajuste en el enchufe 2. Revise el enchufe, el tomacorriente y los fusibles 3. Quite el cable de extensión 4. Verifique si el voltaje de suministro principal es adecuado 5. Apague la unidad y deje que el motor se enfríe
El motor se detiene abruptamente	<ol style="list-style-type: none"> 1. El cable de extensión es demasiado largo o el tamaño del cable es demasiado pequeño. 2. El interruptor térmico de seguridad se disparó debido a un sobrecalentamiento 	<ol style="list-style-type: none"> 1. Quite el cable de extensión 2. Verifique que el voltaje de suministro principal corresponda con las especificaciones
La unidad comienza a largar humo	Motor sobrecalentado, sobrecargado o dañado	Apague la unidad y llame al 1-800-330-0712
Bomba ruidosa / la bomba funciona toscamente	<ol style="list-style-type: none"> 1. Bomba aspira aire/bajo suministro de agua 2. Válvulas sucias o desgastadas 3. Juntas desgastadas 4. Agua demasiado caliente 	<ol style="list-style-type: none"> 1. Asegúrese de que las juntas están ajustadas. Aumente la presión de agua 2. Revise, limpie o reemplace 3. Revise y reemplace 4. Reduzca la temperatura por debajo de 38° C
No succiona detergente	<ol style="list-style-type: none"> 1. No se está usando la boquilla para jabón 2. Hay una obstrucción, pliegue o perforación en la manguera de succión de detergente 3. La manguera es demasiado larga 4. La lanza no está funcionando adecuadamente 	<ol style="list-style-type: none"> 1. Instale la boquilla de 65° (negra) para jabón 2. Si está limpia, elimine los pliegues o cambie la manguera. 3. Utilice únicamente el largo de manguera que se proporcionó con la compra inicial de la lavadora a presión. La succión del detergente no funciona si se conecta más de una sección de manguera a la unidad. 4. Quite la lanza de la pistola. Si se pasa detergente a través de la pistola, la lanza se debe reemplazar. Si no pasa detergente a través de la pistola, quite 1 pulg. del conector de detergente ahusado de la bomba. Limpie el conector, y asegúrese de que la bola y el resorte estén alineados adecuadamente con la porción ahusada del resorte que está frente a la bola. La bola debe estar encima del resorte.

Para Ordenar Repuestos o Asistencia Técnica, Sírvase Llamar al Distribuidor Más Cercano a Su Domicilio

Sírvase darnos la siguiente información:

- Número del modelo
- Código impreso (si correspondiera)
- Descripción y número del repuesto según la lista de repuestos

Dirija toda la correspondencia a:

Campbell Hausfeld
Attn: Customer Service
100 Production Drive
Harrison, OH 45030 U.S.A.

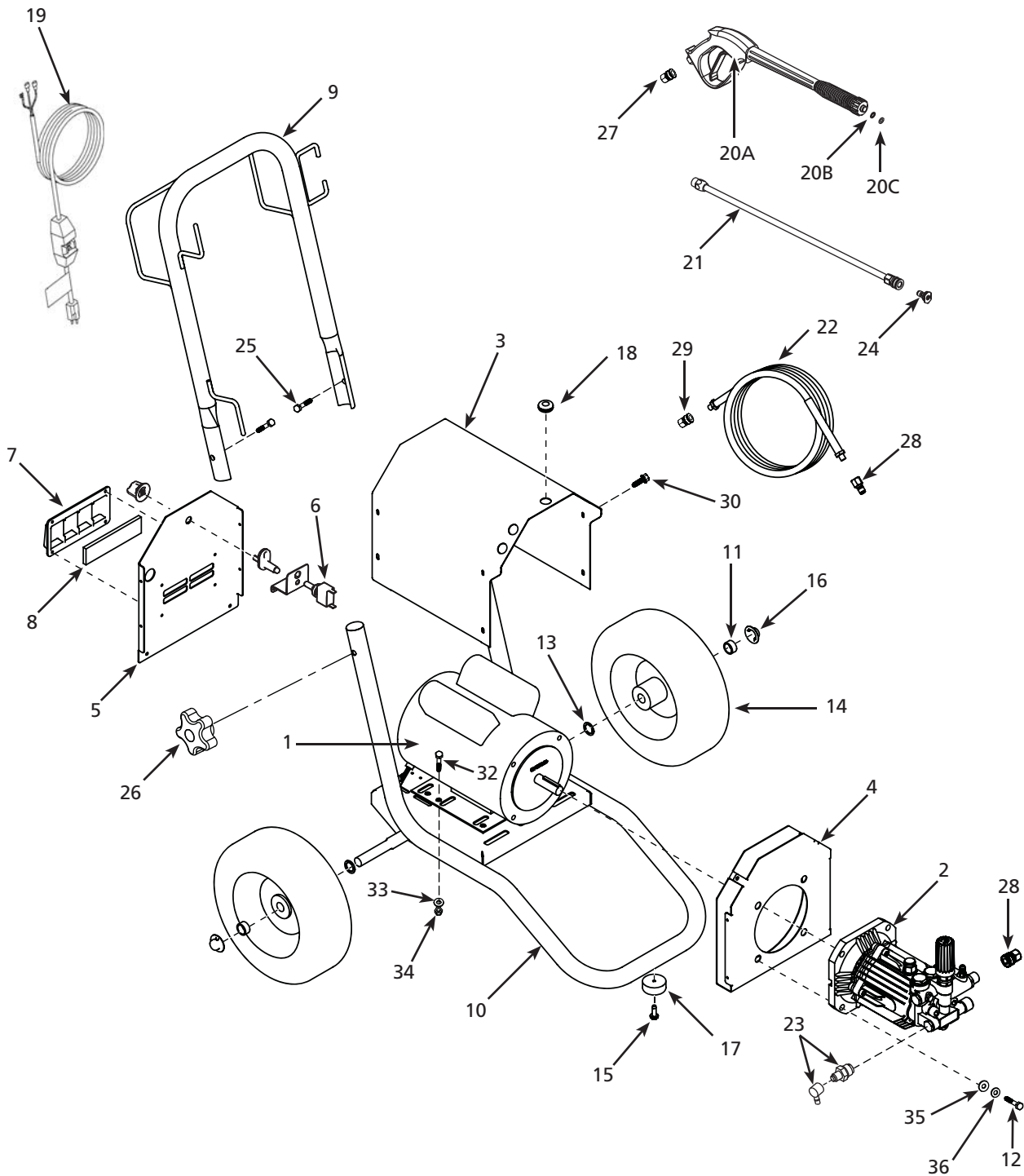


Figura 19

LISTA DE PIEZAS DE REPUESTO

No. de Ref.	Descripción	CP5211	CP5216	CP5321	Ctd.
1	Motor	MC031000AV	MC031000AV	MC031001AV	1
2	Bomba	PM351171SJ	PM351170SJ	PM351172SJ	1
3	Cubierta del motor	PM351173SJ	PM351173SJ	PM351174SJ	1
4	Deflector de aire	PM351102JJ	PM351102JJ	PM351102JJ	1
5	Tapa posterior	PM351103JJ	PM351103JJ	PM351107JJ	1
6	Interruptor	PM351179SJ	PM351179SJ	PM351180SJ	1
7	Rejilla de ventilación	PM351128AV	PM351128AV	PM351128AV	1
8	Filtro de aire	PM351129AV	PM351129AV	PM351129AV	1
9	Mango	PM351026JJ	PM351026JJ	PM351026JJ	1
10	Carro	PM351175SJ	PM351175SJ	PM351176SJ	1
11	Separador, 6,4 mm (1/4 pulg.) [2 por lado]	AL177001AV	AL177001AV	AL177001AV	4
12	Perno – 9,5 mm (3/8 pulg.) – 16 x 3,18 cm (1,25 pulg.) de largo	*	*	*	4
13	Separador, 14,3 mm (9/16 pulg.) [2 por lado]	MJ105308AV	MJ105308AV	MJ105308AV	4
14	Rueda neumática	WA005621AV	WA005621AV	WA005621AV	2
15	Tornillo	MJ102100AV	MJ102100AV	MJ102100AV	1
16	Contratuerca	PM344759AV	PM344759AV	PM344759AV	2
17	Defensa de caucho	AL062300AV	AL062300AV	AL062300AV	1
18	Ojal de goma	MJ110200AV	MJ110200AV	MJ110200AV	5
19	Ensamble del cable	PM351177SJ	PM351177SJ	PM351178SJ	1
20A	Pistola	PM005136AV	PM005136AV	PM005136AV	1
20B	Anillo-O para pistola	PM345403SJ	PM345403SJ	PM345403SJ	1
20C	Anillo-O de respaldo para pistola	PM232211SV	PM232211SV	PM232211SV	1
21	Lanza	PM351378AV	PM351378AV	PM351378AV	1
22	Manguera de 7,62 m (25 pies)	PM005010AV	PM005010AV	PM005010AV	1
23	Ensamble de liberación térmica	PM345016SJ	PM345017SJ	PM345017SJ	1
24	Boquillas de conexión rápida				
	Boquilla – 0°	PM351120AV	PM351120AV	--	1
	Boquilla – 15°	PM351121AV	PM351121AV	PM039880AV	
	Boquilla – 25°	PM351122AV	PM351122AV	PM039890AV	
	Boquilla – 40°	PM351123AV	PM351123AV	PM039900AV	
	Boquilla – Jabón	PM039820AV	PM039820AV	PM039820AV	
25	7,9 mm (5/16 pulg.) – 18 pernos de carro de 5,72 cm (2,25 pulg.)	MJ103305AV	MJ103305AV	MJ103305AV	2
26	Perilla estrella	PM080900AV	PM080900AV	PM080900AV	2
27	Puntas de conexión rápida – Pistola	PM068060AV	PM068060AV	PM068060AV	1
28	Puntas de conexión rápida – Bomba y Manguera	PM068070AV	PM068070AV	PM068070AV	2
29	Puntas de conexión rápida – Manguera	PM068066AV	PM068066AV	PM068066AV	1
30	Tornillo – Rosca N.º 8-18	MJ106100AV	MJ106100AV	MJ106100AV	14
31	Tubo para químicos (No se muestra)	PM013800AV	PM013800AV	PM013800AV	1
32	7,9 mm (5/16 pulg.) – 18 pernos de 19,1 mm (3/4 pulg.)	ST016000AV	ST016000AV	ST016000AV	4
33	Arandela plana de 7,9mm (5/16")	ST070930AV	ST070930AV	ST070930AV	4
34	Tuerca hexagonal 7,9 mm (5/16") – 18	AL014000AV	AL014000AV	AL014000AV	4
35	Arandela plana de 9,5 mm (3/8")	*	*	*	4
36	Arandela de seguridad de 9,5 mm (3/8")	*	*	*	4
*	Artículo estándar de ferretería				
--	No disponible				

Para Ordenar Repuestos o Asistencia Técnica, Sírvase Llamar al Distribuidor Más Cercano a Su Domicilio

Sírvase darnos la siguiente información:

- Número del modelo
- Código impreso (si correspondiera)
- Descripción y número del repuesto según la lista de repuestos

Dirija toda la correspondencia a:

Campbell Hausfeld
 Attn: Customer Service
 100 Production Drive
 Harrison, OH 45030 U.S.A.

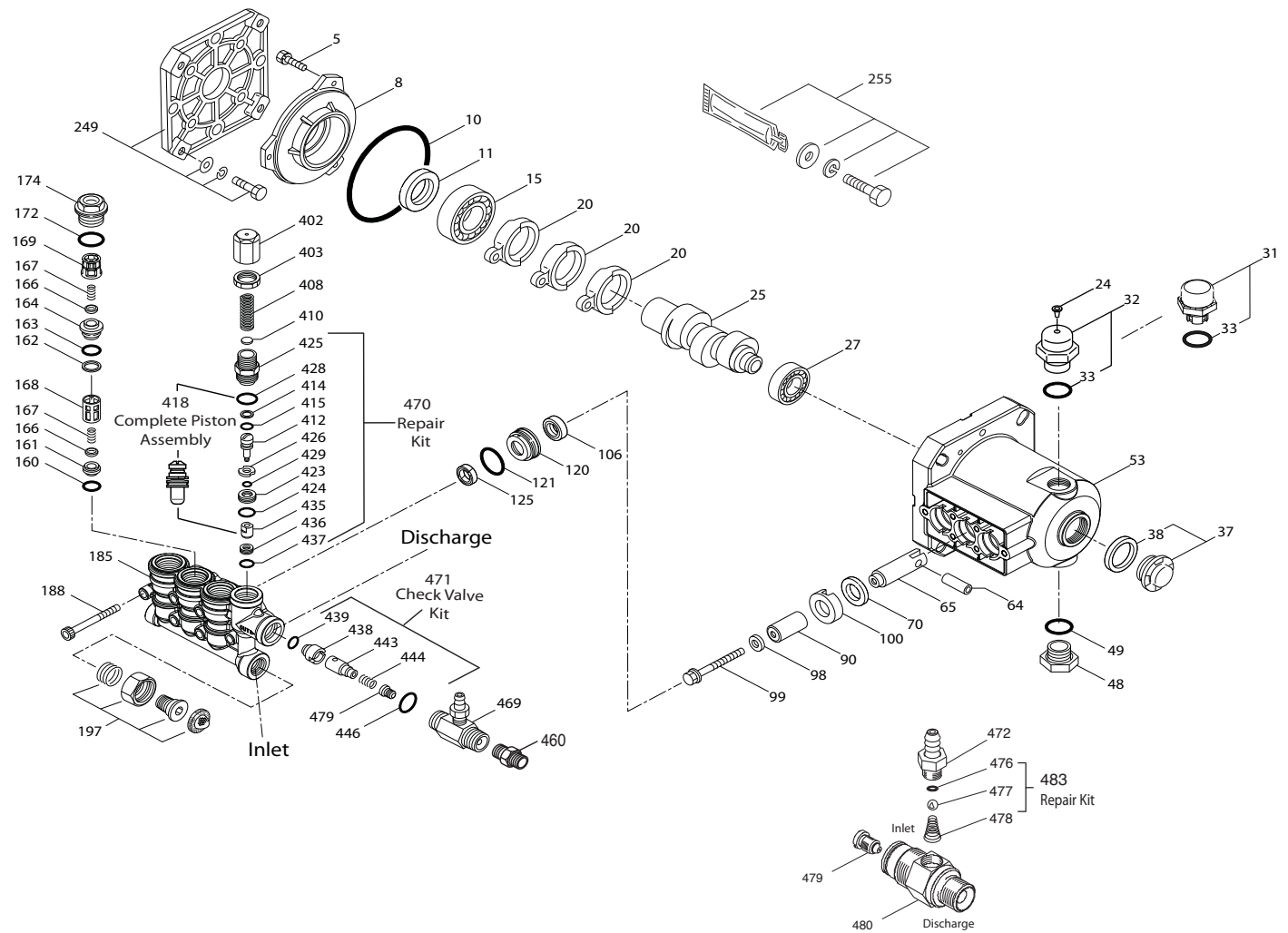


Figura 20 - PM351171SJ

LISTA DE PIEZAS DE REPUESTO PARA PM351171SJ

No. de Ref.	Descripción	No. de Parte	Ctd.	No. de Ref.	Descripción	No. de Parte	Ctd.
5	Tornillo HH (M6-14)	--	1	174	Tapón de la válvula	--	1
8	Tapa del cojinete	--	1	185	Cabezal del colector	--	1
10	Junta anular de la tapa del cojinete (70D)	--	1	188	Tornillo HSH (M6-60)	--	1
11	Sello de aceite (70D)	--	1	197	Ensamble para manguera de jardín	PM900500AV	1
15	Cojinete de bolas interior	--	1	249	Ensamble del montaje del adaptador	--	1
20	Vástago de conexión	--	1	255	Ensamble del perno de montaje	--	1
24	Tapón de la tapa del aceite	PM900000AV	1	300	Kit de sellos (inc. 98, 106, 121, 125)	PM900600AV	1
25	Cigüeñal	--	1	310	Kit de válvula (inc. 160, 161, 162, 163, 164, 166, 167, 168, 169, 172)	PM900900AV	1
27	Cojinete de bolas	--	1	401	Manija de ajuste	--	1
32	Tapa de llenado del aceite	PM345078SV	1	402	Tapa de ajuste	--	1
33	Junta tórica de la tapa de llenado del aceite (70D)	PM345079SV	1	403	Tuerca de seguridad (M18-1)	--	1
37	Cristal de la mirilla del aceite	PM900200AV	1	404	Tornillo de fijación (M4-1)	--	1
38	Junta del cristal de la mirilla (80D)	--	1	408	Resorte de presión	--	1
48	Tapón de drenaje	PM900300AV	1	410	Retenedor del resorte de descarga	--	1
49	Junta tórica del tapón de drenaje (70D)	PM900400AV	1	412	Vástago del pistón (M5)	--	1
53	Cárter	--	1	414	Anillo de respaldo del vástago del pistón	--	1
64	Pasador de cruceta	--	1	415	Junta tórica del vástago del pistón (70D)	--	1
65	Vástago impulsor	--	1	418	Ensamble completo del pistón	--	1
69	Arandela del sello de aceite (70D)	--	1	423	Retenedor de la válvula	--	1
70	Sello de aceite	--	1	424	Junta tórica del retenedor de la válvula (exterior)	--	1
75	Deflector de barrera	--	1	425	Retenedor del pistón	--	1
90	Tapón (M14-25.5)	--	1	426	Arandela	--	1
98	Arandela de sello (90D)	--	1	428	Junta tórica del retenedor del pistón	--	1
99	Retenedor del tapón (M6-35)	--	1	429	Junta tórica del retenedor de la válvula (interior)	--	1
100	Retenedor del sello	--	1	430	Anillo de respaldo del retenedor de la válvula	--	1
106	Sello LPS	--	1	435	Válvula de ensamble de bola	--	1
120	Cubierta del sello	--	1	436	Asiento	--	1
121	Junta tórica de la cubierta del sello (70D)	--	1	437	Junta tórica del asiento	--	1
122	Anillo de soporte	--	1	438	Asiento de la válvula de retención	--	1
125	Sello HPS	--	1	439	Junta tórica del asiento de la válvula de retención	--	1
127	Empaque en V	--	1	443	Válvula de retención c/junta tórica	--	1
128	Adaptador macho	--	1	444	Resorte de la válvula de retención	--	1
160	Junta tórica del asiento de la entrada	--	1	446	Junta tórica del cuerpo	--	1
161	Asiento de la entrada	--	1	460	Conexión de descarga (3/8" NPTF - 18)	--	1
162	Anillo de respaldo del asiento de la descarga	--	1	468	Kit de juntas tóricas (inc. 414, 415, 424, 428, 429, 437, 439, 446)	PM901300AV	1
163	Junta tórica del asiento de la descarga	--	1	469	Inyector químico fijo	--	1
164	Asiento de la descarga	--	1	470	Kit de reparación (inc. 412, 414, 415, 423, 424, 425, 426, 428, 429, 435, 436, 437)	PM901100AV	1
166	Válvula	--	1	471	Kit de válvula de retención (inc. 438, 439, 443, 444, 446)	PM901600AV	1
167	Resorte	--	1	483	Kit de reparación del inyector (inc. 476, 477, 478)	PM901500AV	1
168	Retenedor del resorte de entrada	--	1				
169	Retenedor del resorte de descarga	--	1				
172	Junta tórica del tapón de la válvula	--	1				

Para Ordenar Repuestos o Asistencia Técnica, Sírvase Llamar al Distribuidor Más Cercano a Su Domicilio

Sírvase darnos la siguiente información:

- Número del modelo
- Código impreso (si correspondiera)
- Descripción y número del repuesto según la lista de repuestos

Dirija toda la correspondencia a:

Campbell Hausfeld
Attn: Customer Service
100 Production Drive
Harrison, OH 45030 U.S.A.

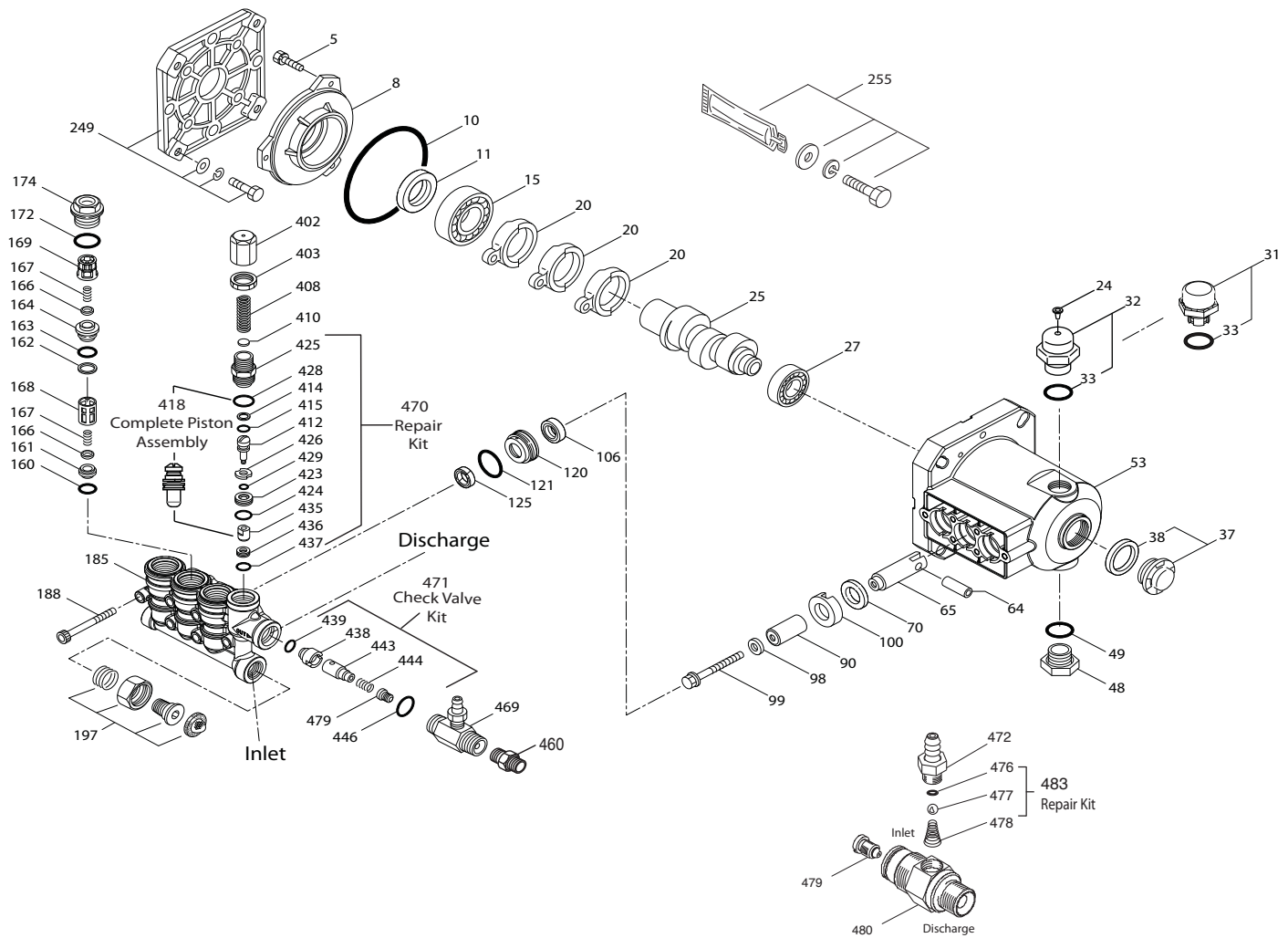


Figura 21 - PM351172SJ

LISTA DE PIEZAS DE REPUESTO PARA PM351172SJ

No. de Ref.	Descripción	No. de Parte	Ctd.	No. de Ref.	Descripción	No. de Parte	Ctd.
8	Tapa del cojinete	--	1	188	Tornillo HSH (M6-60)	--	1
10	Junta tórica de la tapa del cojinete (70D)	--	1	197	Ensamble para manguera de jardín	PM900500AV	1
11	Sello de aceite (70D)	--	1	249	Ensamble del montaje del adaptador	--	1
15	Cojinete de bolas lado interior	--	1	255	Ensamble del perno de montaje	--	1
20	Vástago de conexión	--	1	300	Kit de sellos (inc. 98, 106, 121, 125)	PM905100AV	1
24	Tapón de la tapa del aceite	PM900000AV	1	310	Kit de válvula (inc. 160, 161, 162, 163, 164, 166, 167, 168, 169, 172)	PM905200AV	1
25	Cigüeñal	--	1	401	Manija de ajuste	--	1
27	Cojinete de bolas lado exterior	--	1	402	Tapa de ajuste	--	1
32	Tapa de llenado del aceite	PM345078SV	1	403	Tuerca de seguridad (M18-1)	--	1
33	Junta tórica de la tapa de llenado del aceite (70D)	PM345079SV	1	404	Tornillo de fijación (M4-1)	--	1
37	Cristal de la mirilla del aceite	PM900200AV	1	408	Resorte de presión	--	1
38	Junta del cristal de la mirilla (80D)	--	1	410	Retenedor del resorte	--	1
48	Tapón de drenaje	PM900300AV	1	412	Vástago del pistón (M5)	--	1
49	Junta tórica del tapón de drenaje (70D)	PM900400AV	1	414	Anillo de respaldo del vástago del pistón	--	1
53	Cárter	--	1	415	Junta tórica del vástago del pistón (70D)	--	1
64	Pasador de cruceta	--	1	418	Ensamble completo del pistón	--	1
65	Vástago de émbolo	--	1	423	Retenedor de la válvula	--	1
69	Arandela del sello de aceite (70D)	--	1	424	Junta tórica del retenedor de la válvula (exterior)	--	1
70	Sello de aceite	--	1	425	Retenedor del pistón	--	1
75	Deflector de barrera	--	1	426	Arandela	--	1
90	Tapón (M14-25.5)	--	1	428	Junta tórica del retenedor del pistón	--	1
98	Arandela de sello (90D)	--	1	429	Junta tórica del retenedor de la válvula (interior)	--	1
99	Retenedor del tapón (M6-35)	--	1	430	Anillo de respaldo del retenedor de la válvula	--	1
100	Retenedor del sello	--	1	435	Válvula de ensamble de bola	--	1
106	Sello LPS	--	1	436	Asiento	--	1
120	Cubierta del sello	--	1	437	Junta tórica del asiento	--	1
121	Junta tórica de la cubierta del sello (70D)	--	1	438	Asiento de la válvula de retención	--	1
122	Anillo de soporte	--	1	439	Junta tórica del asiento de la válvula de retención	--	1
125	Sello HPS	--	1	443	Válvula de retención c/junta tórica	--	1
127	Empaque en V	--	1	444	Resorte de la válvula de retención	--	1
128	Adaptador macho	--	1	446	Junta tórica del cuerpo	--	1
160	Junta tórica del asiento de la entrada	--	1	460	Conexión de descarga (3/8" NPTF - 18)	--	1
161	Asiento de la entrada	--	1	468	Kit de juntas tóricas (inc. 414, 415, 424, 428, 429, 437, 439, 446)	PM904900AV	1
162	Anillo de respaldo del asiento de la descarga	--	1	469	Inyector químico fijo	--	1
163	Junta tórica del asiento de la descarga	--	1	470	Kit de reparación (inc. 412, 414, 415, 423, 424, 425, 426, 428, 429, 435, 436, 437)	PM905000AV	1
164	Asiento de la descarga	--	1	471	Kit de válvula de retención (inc. 438, 439, 443, 444, 446)	PM901600AV	1
166	Válvula	--	1	483	Kit de reparación del inyector (inc. 476, 477, 478)	PM901500AV	1
167	Resorte	--	1				
168	Retenedor del resorte de entrada	--	1				
169	Retenedor del resorte de descarga	--	1				
172	Junta tórica del tapón de la válvula	--	1				
174	Tapón de la válvula	--	1				

Para Ordenar Repuestos o Asistencia Técnica, Sírvase Llamar al Distribuidor Más Cercano a Su Domicilio

Sírvase darnos la siguiente información:

- Número del modelo
- Código impreso (si correspondiera)
- Descripción y número del repuesto según la lista de repuestos

Dirija toda la correspondencia a:

Campbell Hausfeld
 Attn: Customer Service
 100 Production Drive
 Harrison, OH 45030 U.S.A.

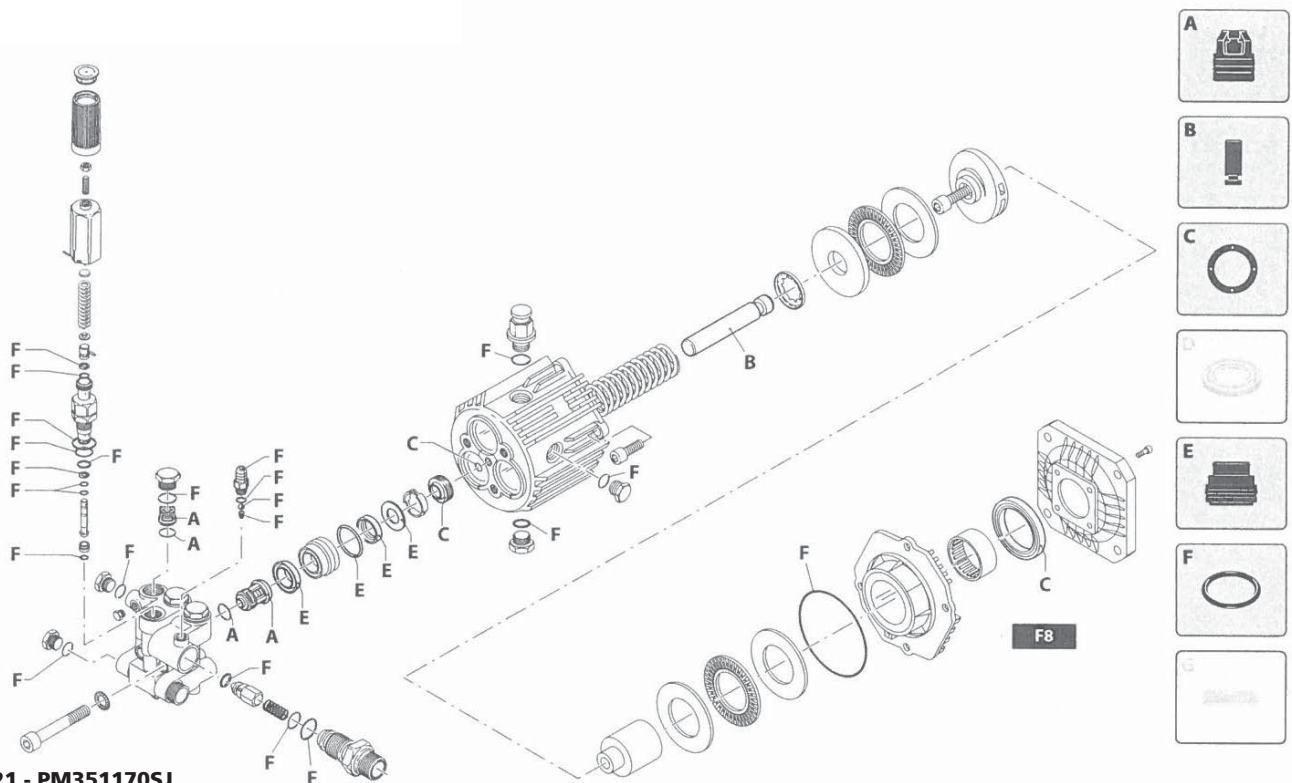
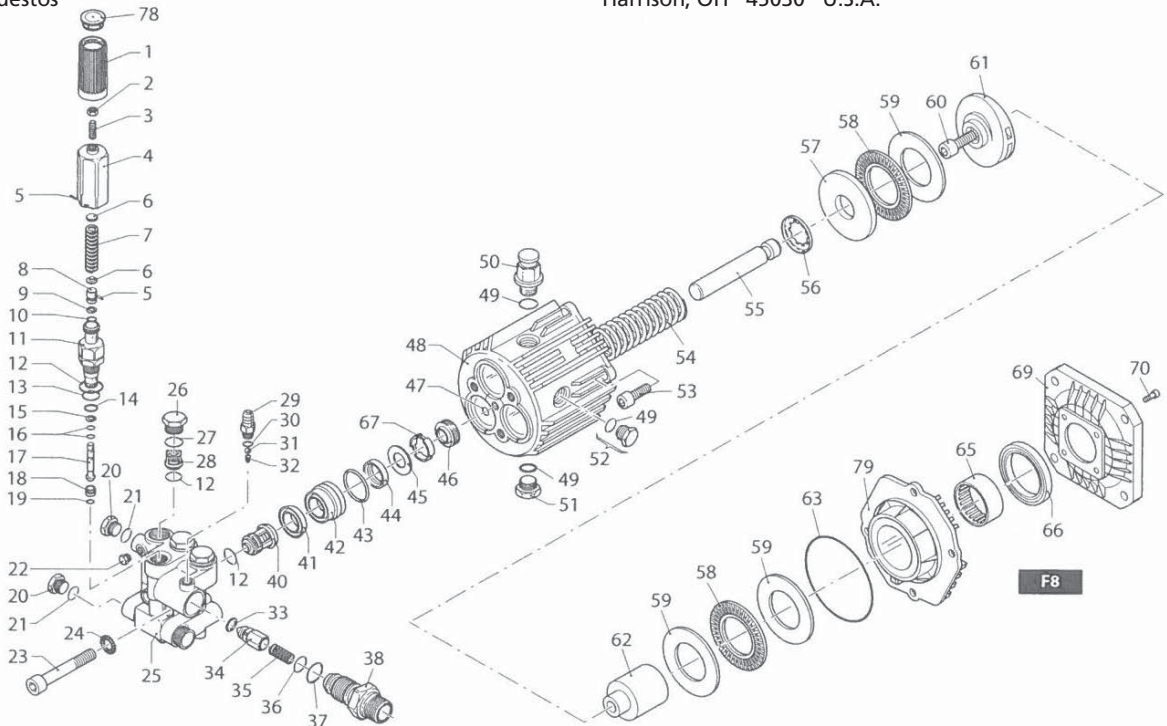


Figura 21 - PM351170SJ

LISTA DE PIEZAS DE REPUESTO PARA PM351170SJ

No. de Ref.	Descripción	No. de Parte	Ctd.
1	Perilla	--	1
2	Tuerca M6	--	1
3	Tornillo M6 - 20	--	1
4	Inserto	--	1
5	Perno	--	1
6	Espaciador	--	1
7	Resorte	--	1
8	Pistón de descarga	--	1
9	Anillo de descarga	F	1
10	Junta tórica	F	1
11	Guía del pistón	--	1
12	Junta tórica	A	6
	Junta tórica	F	7
13	Junta tórica	F	1
14	Junta tórica	F	1
15	Anillo	F	1
16	Junta tórica	F	2
17	Pistón	--	1
18	Asiento	--	1
19	Junta tórica	F	1
20	Tapón	--	1
21	Junta tórica	F	2
22	Tapón	--	1
23	Tornillo M10-65	--	1
24	Arandela	--	1
25	Cabeza	--	1
26	Tapón	--	1
27	Junta tórica	F	3
28	Válvula completa	A	3
29	Cola de manguera	--	1
30	Junta tórica	F	1
31	Bola	F	1
32	Resorte	F	1
33	Junta tórica	F	1
34	Gatillo	--	1
35	Resorte	--	1
36	Junta tórica	F	1
37	Junta tórica	F	1
38	Inyector	--	1
40	Válvula completa	A	3
41	Junta	E	3
42	Guía del pistón	--	1
43	Junta tórica	E	3
44	Sello de agua	E	3
45	Anillo	E	3

No. de Ref.	Descripción	No. de Parte	Ctd.
46	Sello de aceite	C	3
47	Junta tórica	C	1
48	Cuerpo de la bomba	--	1
49	Junta tórica	F	3
50	Tapón	--	1
51	Tapón	--	1
52	Tapón	--	1
53	Tornillo	--	1
54	Resorte	--	1
55	Pistón	B	3
56	Anillo	--	1
57	Quinta rueda	--	1
58	Quinta rueda	--	1
59	Quinta rueda	--	1
60	Tornillo	--	1
61	Placa oscilante	--	1
62	Eje	--	1
63	Junta tórica	F	1
65	Buje	--	1
66	Sello de aceite	C	1
67	Espaciador	--	1
69	Brida	--	1
70	Tornillo	--	1
78	Tapón	--	1
79	Brida	--	1

KITS DE PIEZAS DE REPUESTO

A	Kit de válvula - inc. 12 (6), 28 (3), 40 (3)	PM904400AV
B	Kit de pistón - inc. 55 (3)	PM904500AV
C	Kit de sello de aceite - inc. 46 (3), 47 (1), 66 (1)	PM904600AV
E	Kit de sello de agua - inc. 41 (3), 43 (3), 44 (3), 45 (3)	PM904700AV
F	Kit de juntas tóricas - 9 (1), 10 (1), 12 (7), 13 (1), 14 (1), 15 (1), 16 (2), 19 (1), 21 (2), 27 (3), 30 (1), 31 (1), 32 (1), 33 (1), 36 (1), 37 (1), 49 (3), 63 (1)	PM904800AV

¡REGISTRE SU PRODUCTO EN LÍNEA AHORA MISMO!
www.campbellhausfeld.com

Garantía Limitada

1. Duración: De la fecha de compra por el comprador original y de acuerdo a las siguientes clasificaciones: Tres (3) años la unidad lavadora a presión, 2 (dos) años la bomba y el motor, y 90 días para los artículos con desgaste normal.
2. QUIEN OTORGA ÉSTA GARANTÍA (EL GARANTE): Campbell Hausfeld / Scott Fetzer Company, 100 Production Drive, Harrison, OH 45030, Teléfono: (800) 330-0712.
3. QUIEN RECIBE ÉSTA GARANTÍA (EL COMPRADOR): El comprador original (que no sea revendedor) de la Lavadora de Presión Campbell Hausfeld.
4. PRODUCTOS CUBIERTOS POR ESTA GARANTÍA: Cualquier Lavadora de Presión Campbell Hausfeld fabricada o distribuida por el garante.
5. LO QUÉ ÉSTA CUBIERTO POR ESTA GARANTÍA: Los defectos de material y/o de manufactura que ocurran dentro del periodo de garantía con las excepciones anotadas abajo.
6. LO QUÉ NO ÉSTA CUBIERTO POR ESTA GARANTÍA:
 - A. Las garantías implícitas, incluyendo las garantías de comercialización y adecuación para un fin particular, son limitadas a partir de la fecha de compra como se indica en el parrafo DURACIÓN. Si ésta lavadora de presión es usada para trabajos comerciales, industriales o para renta, la garantía aplicada es de (90) días a partir de la fecha de compra. En algunos estados no se permiten limitaciones a la duración de las garantías, en tal caso esta limitacion no es aplicable.
 - B. CUALQUIER PERDIDA, DANO INCIDENTAL INDIRECTO O CONSECUENTE QUE PUEDE RESULTAR DE UN DEFECTO, FALLA, O MALFUNCIONAMIENTO DE LA LAVADORA DE PRESIÓN CAMPBELL HAUSFELD. En algunos estados no se permiten la exclusión o limitación de daños incidentales o consecuentes y en tal caso esta limitacion o exclusión no es aplicable.
 - C. Cualquier falla que resulte por daños en la transportación, accidente, abuso, negligencia o incumplimiento de las instrucciones de funcionamiento e instalacion indicadas en el manual suministrado con el producto.
 - D. El servicio al producto antes de la venta. Ejemplo ensamblaje, aceites o lubricantes, ajustes, etc.
 - E. Partes o ajustes requeridos normalmente en el mantenimiento de la lavadora de presión.
 - F. Partes adicionales no cubiertos en ésta garantía:
 1. Desgaste normal en partes tales como mangueras de alta presión, sellos de agua o aceite, anillos, válvulas y boquillas de spray.
 2. Escobillas del motor (modelos eléctricos solamente).
 3. Defectos externos que no interfieren con su funcionamiento.
 4. Componentes oxidados.
 5. Desgaste de la bomba o daño de la válvula causado por uso de aceite inapropiado, contaminación del aceite o por no seguir adecuadamente las recomendaciones de mantenimiento.
7. RESPONSABILIDADES DEL GARANTE BAJO ÉSTA GARANTÍA: Repare o reemplazar, como lo decida el garante, ya sea la lavadora de presión o alguna de sus partes que se encuentre defectuoso, no funcione adecuadamente y/o no cumpla de conformidad dentro del periodo de duración de la garantía.
8. RESPONSABILIDADES DEL COMPRADOR BAJO ESTA GARANTÍA:
 - A. Proporcionar prueba de la fecha de compra y registros de mantenimiento.
 - B. Entregar o enviar la lavadora de presión o su componente al centro de servicio autorizado Campbell Hausfeld más cercano. Los costos de embarque, si son aplicables, serán pagados por el comprador.
 - C. Ser cuidadoso con el funcionamiento y mantenimiento de la lavadora de presión de acuerdo al manual(s) del propietario.
9. CUANDO EFECTUARA EL GARANTE LA REPARACION O REEMPLAZO CUBIERTO POR ESTA GARANTÍA: La reparación o reemplazo del equipo tomara el tiempo normal y de acuerdo a la carga de trabajo en ese momento el el centro de servicio y de acuerdo a la disponibilidad de refacciones.

Esta garantía limitada es válida sólo en los EE.UU., Canadá y México y otorga derechos legales específicos. También usted podría tener otros derechos los cuales varían de estado a estado o de país a país.

RECORDATORIO: ¡Guarde su comprobante de compra con fecha para fines de la garantía!
Adjúntela a este manual o archívela en lugar seguro.

