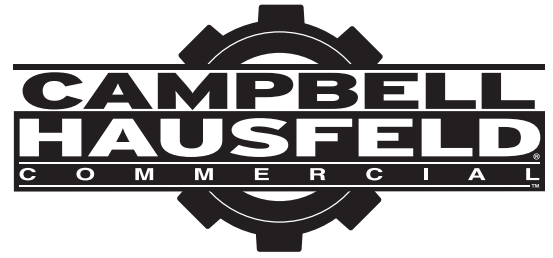


Stationary Two-Stage Air Compressor



MODELS: CE700001, CE700101, CE700501, CE700601, CE705001, CE705101, CE705201, CE705301



Specifications

Model	Motor HP	Discharge Pressure	Displacement CFM	Delivery CFM	Max Pressure	Pump RPM	Unit Weight	Phase
CE700001, CE700501	7.5	175 psi	31.4	25.1	175 psi	1020	540 lbs.	1
CE700101, CE700601	7.5	175 psi	31.4	25.1	175 psi	1020	540 lbs.	3
CE705001, CE705201	5.0	175 psi	21.1	17.4	175 psi	700	510 lbs.	1
CE705101, CE705301	5.0	175 psi	21.1	17.4	175 psi	700	510 lbs.	3

Please record Model Number and Serial Number for use when contacting the manufacturer:

Model No.: _____

Serial No.: _____

Purchase Date: _____

Purchase Place: _____

For information about this product, call 1-855-504-5676.

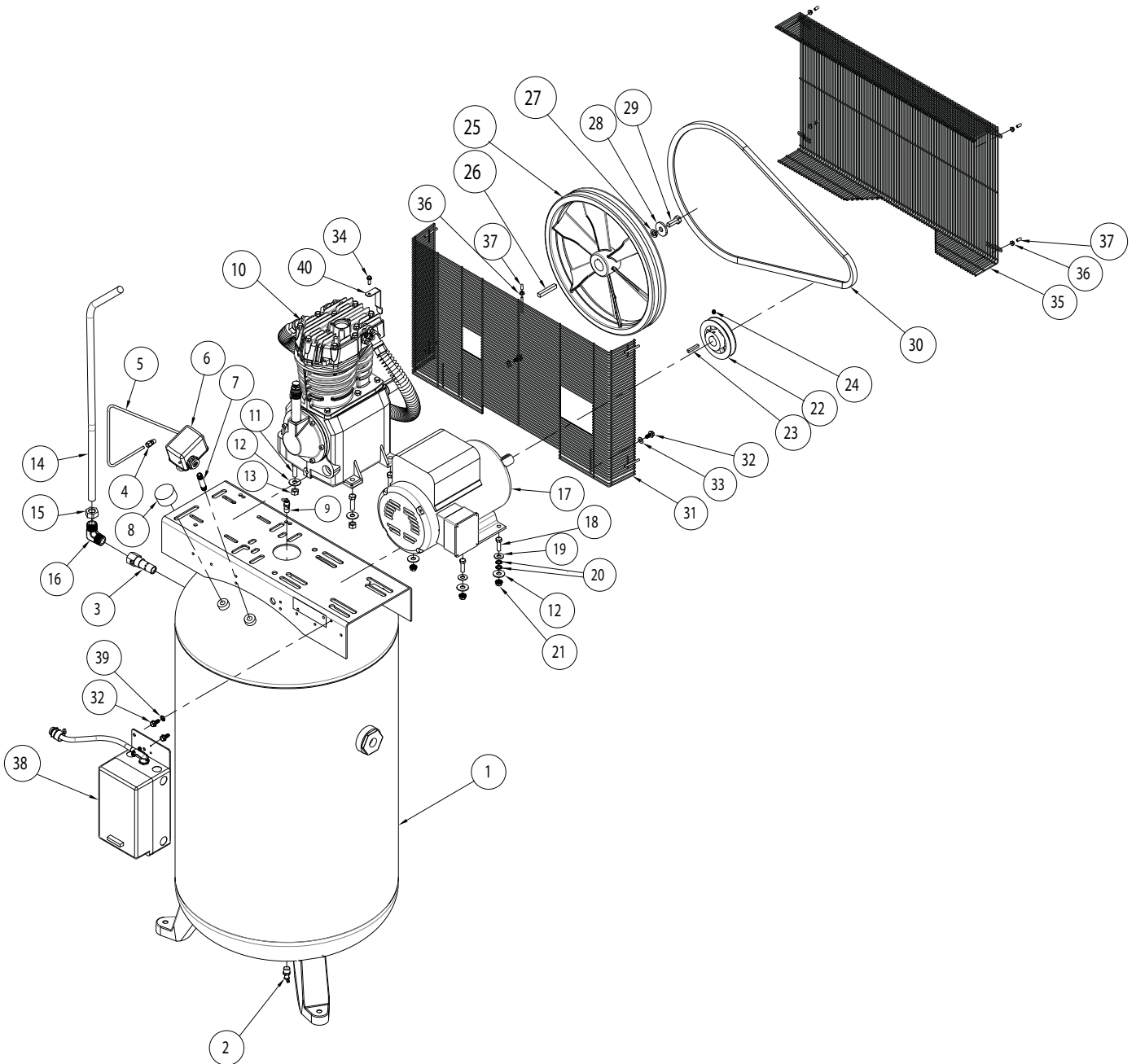
For Replacement Parts or Technical Assistance, Call 1-855-504-5678

Please provide following information:

- Model number
- Serial number (if any)
- Part description and number as shown in parts list

Address any correspondence to:

Campbell Hausfeld
Attn: Customer Service
100 Production Drive
Harrison, OH 45030 U.S.A.



REPLACEMENT PARTS LIST

REF. NO.	DESCRIPTION	CE700001	QTY.
1	TANK	TF006607CG	1
2	3/8 DRAIN VALVE	ST127700AV	1
3	CHECK VALVE	CV003205AV	1
4	COMPRESSION CONNECTOR	ST011701AV	1
5	UNLOADER TUBE	TF063500AP	1
6	PRESSURE SWITCH	CW207561AV	1
7	1/4-18 X 2 3/4 PIPE NIPPLE	ST070387AV	1
8	300 PSI 1/4 NPT PRESSURE GAUGE	GA031901AV	1
9	200PSI SAFETY VALVE	V-215200AV	1
10	PUMP	TF2111 (CI070000)	1
11	7/16-14 1.5 LG HEX CAP SCREW	★	4
12	7/16 WASHER	★	8
13	7/16-14 HEX NUT	★	4
14	DISCHARGE TUBE	TF069000AJ	1
15	3/4 COMPRESSION NUT W/ CAPTIVE FERRULE	ST072321AV	1
16	3/4 NPT PIPE ELBOW	ST072231AV	1
17	MOTOR	MC025100AV	1
18	3/8-16 1.25 LG HEX CAP SCREW	★	4
19	3/8 WASHER	★	4
20	EXT TOOTH LOCK WASHER	★	2
21	3/8-16 FLANGE NUT	★	4
22	4.6 X 1.125 PULLEY	PU009750AV	1
23	1/4 X 1.5 LG KEY	KE001304AV	1
24	SET SCREW	★	1
25	FLYWHEEL	PU016701AJ	1
26	FLYWHEEL KEY	KE001310AV	1
27	1/2 WASHER	★	1
28	1/2 LOCK WASHER	★	1
29	1/2-13 1.25 LG HEX CAP SCREW	★	1
30	BELT BX-66	BT008501AV	1
31	BELTGUARD BACK	BG217100AV	1
32	5/16-12 SELF TAPPING HEX SCREW	★	4
33	5/16 WASHER	★	2
34	1/4-20 SELF TAPPING SCREW	★	1
35	BELTGUARD FRONT	BG217000AV	1
36	#10-24 FLANGE NUT	★	5
37	SAFETY CAP	ST075400AV	5
38	STARTER WITH HEATERS	ST122010AJ	1
39	5/16 EXT TOOTH LOCKWASHER	★	1
40	BELT GUARD BRACKET	TF063400AV	1
★	AVAILABLE AT LOCAL HARDWARE STORE		

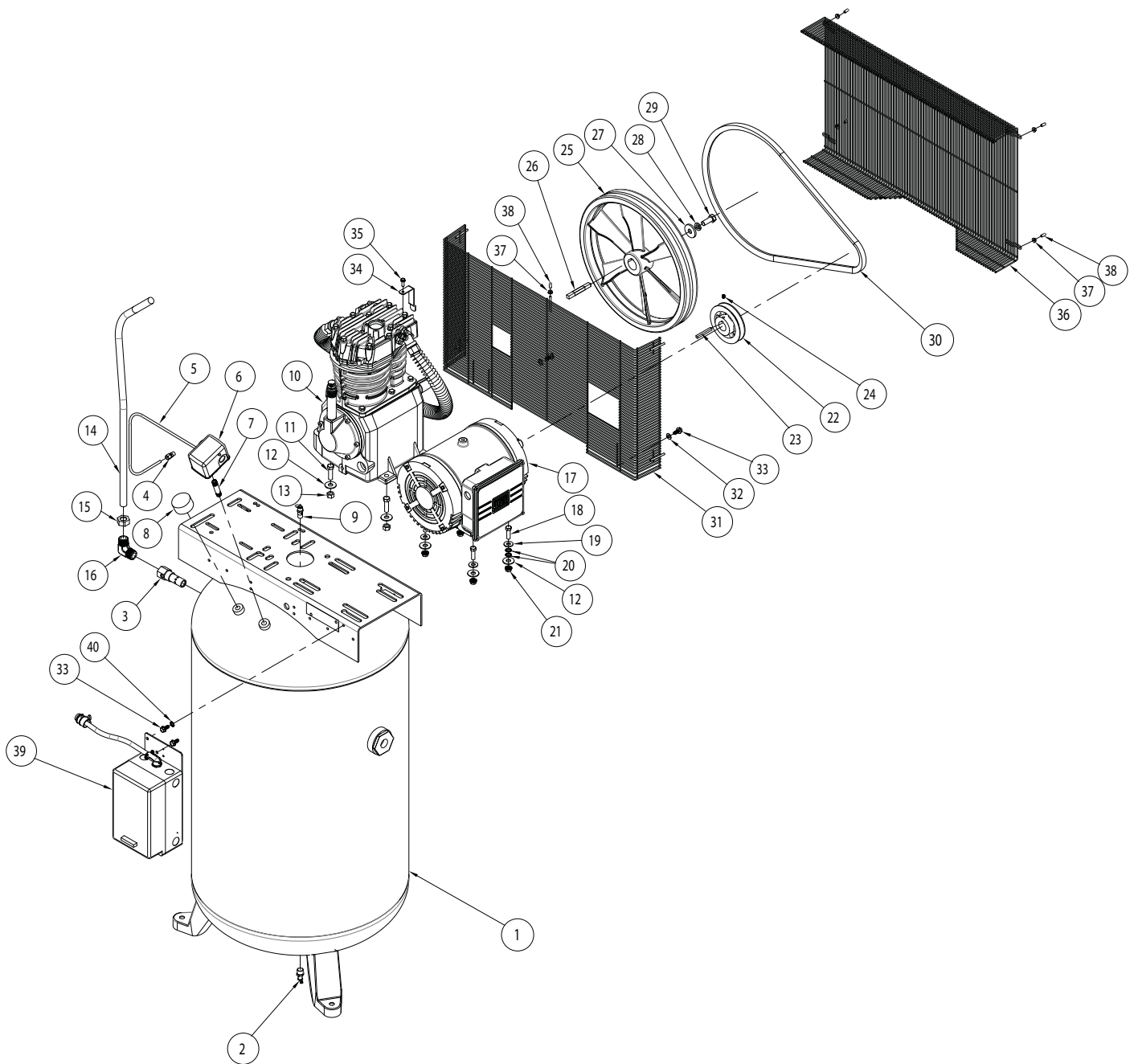
For Replacement Parts or Technical Assistance, Call 1-855-504-5678

Please provide following information:

- Model number
- Serial number (if any)
- Part description and number as shown in parts list

Address any correspondence to:

Campbell Hausfeld
Attn: Customer Service
100 Production Drive
Harrison, OH 45030 U.S.A.



REPLACEMENT PARTS LIST

REF. NO.	DESCRIPTION	CE700101	QTY.
1	TANK	TF006607CG	1
2	3/8 DRAIN VALVE	ST127700AV	1
3	CHECK VALVE	CV003205AV	1
4	COMPRESSION CONNECTOR	ST011701AV	1
5	UNLOADER TUBE	TF063500AP	1
6	PRESSURE SWITCH	CW207561AV	1
7	1/4-18 X 2 3/4 PIPE NIPPLE	ST070387AV	1
8	300 PSI 1/4 NPT PRESSURE GAUGE	GA031901AV	1
9	200PSI SAFETY VALVE	V-215200AV	1
10	PUMP	TF2111 (CI070000)	1
11	7/16-14 1.5 LG HEX CAP SCREW	★	4
12	7/16 WASHER	★	8
13	7/16-14 HEX NUT	★	4
14	DISCHARGE TUBE	TF069000AJ	1
15	3/4 COMPRESSION NUT W/ CAPTIVE FERRULE	ST072321AV	1
16	3/4 NPT PIPE ELBOW	ST072231AV	1
17	MOTOR	MC033600SJ	1
18	3/8-16 1.25 LG HEX CAP SCREW	★	4
19	3/8 WASHER	★	4
20	EXT TOOTH LOCK WASHER	★	2
21	3/8-16 FLANGE NUT	★	4
22	4.6 X 1.125 PULLEY	PU009750AV	1
23	1/4 X 1.5 LG KEY	★	1
24	SET SCREW	★	1
25	FLYWHEEL	PU016700AJ	1
26	FLYWHEEL KEY	KE001310AV	1
27	1/2 WASHER	★	1
28	1/2 LOCK WASHER	★	1
29	1/2-13 1.25 LG HEX CAP SCREW	★	1
30	BELT BX-66	BT008501AV	1
31	BELTGUARD BACK	BG217100AV	1
32	5/16 WASHER	★	2
33	5/16-12 SELF TAPPING HEX SCREW	★	4
34	BELT GUARD BRACKET	TF063400AV	1
35	1/4-20 SELF-TAPPIING HEX SCREW	★	1
36	BELTGUARD FRONT	BG217000AV	1
37	#10-24 HEX FLANGE NUT	★	5
38	SAFETY CAP	ST075400AV	5
39A	STARTER WITH HEATERS 208-230V	ST122011AJ	1
39B	STARTER WITH HEATERS 460V (OPTIONAL)	ST122012AJ	1
40	5/16 EXT TOOTH LOCKWASHER	ST146800AV	1
★	AVAILABLE AT LOCAL HARDWARE STORE		

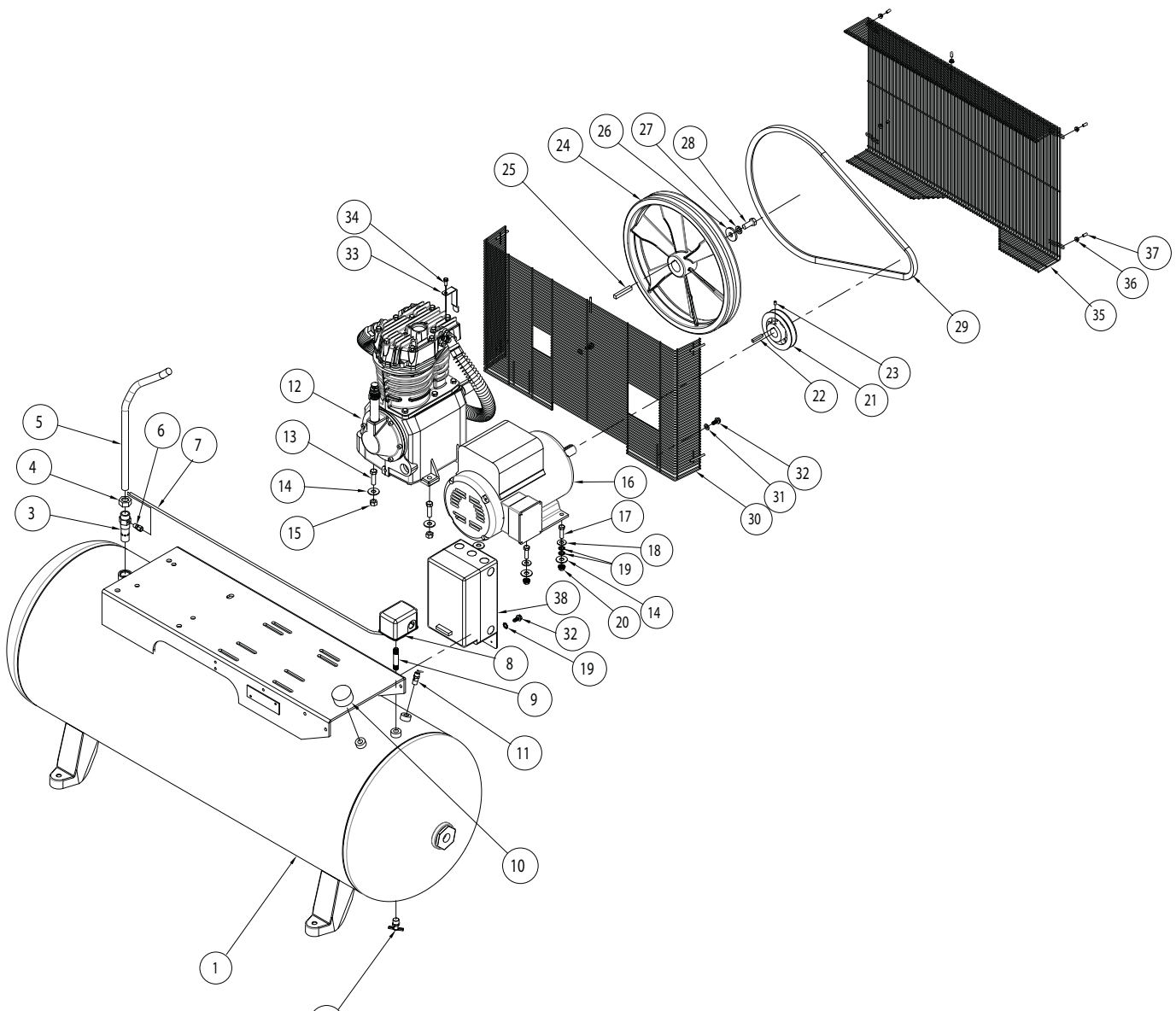
For Replacement Parts or Technical Assistance, Call 1-855-504-5678

Please provide following information:

- Model number
- Serial number (if any)
- Part description and number as shown in parts list

Address any correspondence to:

Campbell Hausfeld
Attn: Customer Service
100 Production Drive
Harrison, OH 45030 U.S.A.



REPLACEMENT PARTS LIST

REF. NO.	DESCRIPTION	CE700501	QTY.
1	TANK	TF003603CG	1
2	3/8 DRAIN VALVE	ST127700AV	1
3	CHECK VALVE	CV003404AV	1
4	3/4 COMPRESSION NUT W/ CAPTIVE FERRULE	ST072321AV	1
5	EXHAUST TUBE	TF062200AP	1
6	COMPRESSION CONNECTOR	ST011701AV	1
7	UNLOADER TUBE	TF063501AP	1
8	PRESSURE SWITCH	CW207561AV	1
9	1/4-18 X 2 3/4 PIPE NIPPLE	ST070387AV	1
10	300 PSI 1/4 NPT PRESSURE GAUGE	GA031901AV	1
11	200PSI SAFETY VALVE	V-215200AV	1
12	PUMP	TF2101 (CI050000)	1
13	7/16-14 1.5 LG HEX CAP SCREW	★	4
14	7/16 WASHER	★	8
15	7/16-14 NUT	★	4
16	MOTOR	MC025100AV	1
17	3/8-16 1.25 LG HEX CAP SCREW	★	4
18	3/8 WASHER	★	4
19	3/8 EXT TOOTH LOCK WASHER	★	3
20	3/8-16 FLANGE NUT	★	4
21	4.6 X 1.125 PULLEY	PU009750AV	1
22	1/4 X 1.5 LG KEY	KE001304AV	1
23	SET SCREW	★	1
24	FLYWHEEL	PU016701SJ	1
25	FLYWHEEL KEY	KE001310AV	1
26	WASHER	TX034600AV	1
27	1/2 WASHER	★	1
28	1/2-13 1.25 LG HEX CAP SCREW	★	1
29	BELT BX-66	BT008501AV	1
30	BELTGUARD BACK	BG217100AV	1
31	5/16 WASHER	★	2
32	5/16-12 SELF TAPPING HEX SCREW	★	4
33	BELTGUARD BRACKET	TF063400AV	1
34	1/4-20 SELF-TAPPING SCREW	★	1
35	BELTGUARD FRONT	BG217000AV	1
36	#10-24 FLANGE NUT	★	5
37	SAFETY CAP	ST075400AV	5
38	STARTER WITH HEATERS	ST122010AJ	1
★	AVAILABLE AT LOCAL HARDWARE STORE		

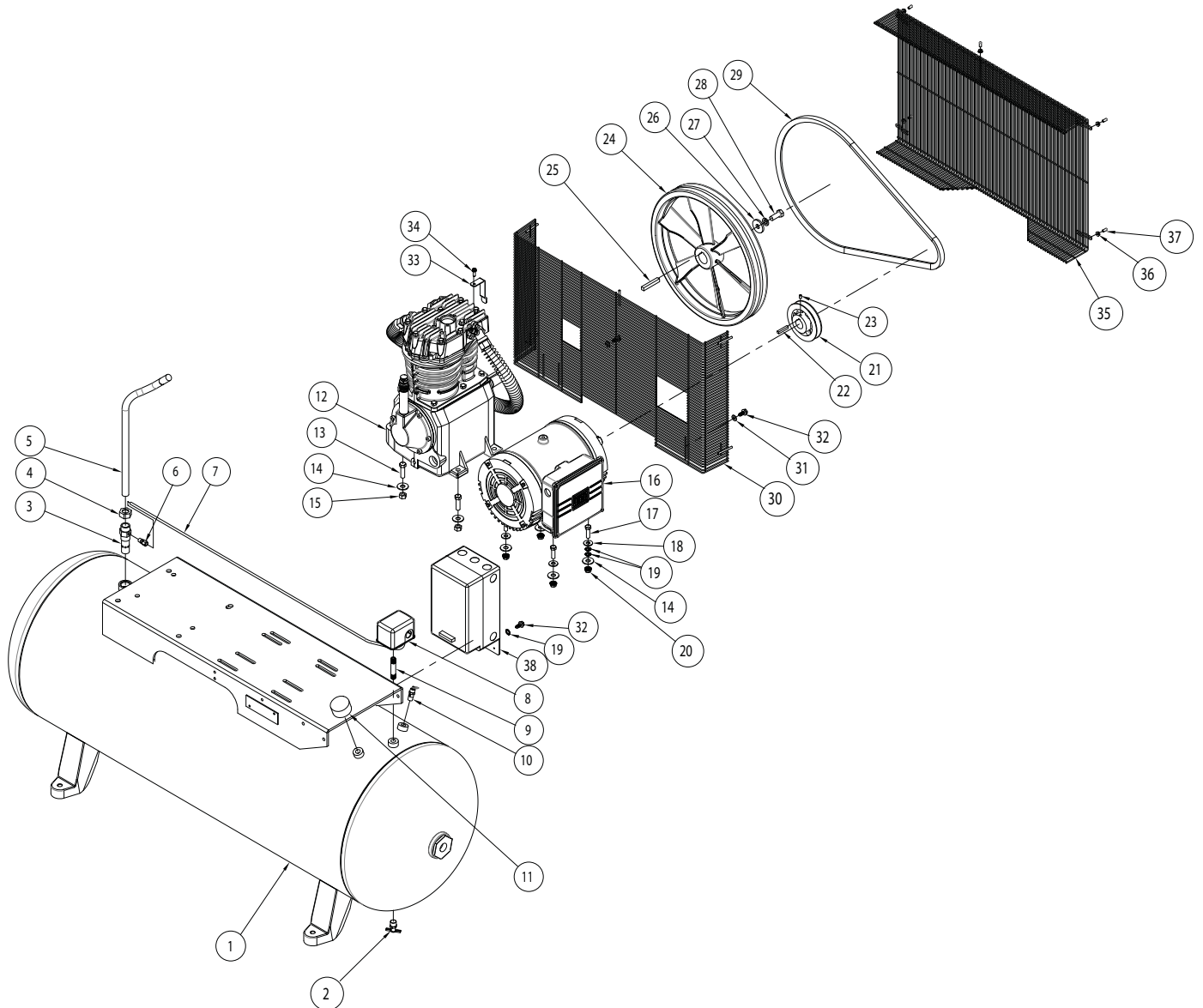
For Replacement Parts or Technical Assistance, Call 1-855-504-5678

Please provide following information:

- Model number
- Serial number (if any)
- Part description and number as shown in parts list

Address any correspondence to:

Campbell Hausfeld
Attn: Customer Service
100 Production Drive
Harrison, OH 45030 U.S.A.



REPLACEMENT PARTS LIST

REF. NO.	DESCRIPTION	CE700601	QTY.
1	TANK	TF003603CG	1
2	3/8 DRAIN VALVE	ST0127700AV	1
3	CHECK VALVE	CV003404AV	1
4	3/4 COMPRESSION NUT W/ CAPTIVE FERRULE	ST072321AV	1
5	EXHAUST TUBE	TF062200AP	1
6	COMPRESSION CONNECTOR	ST011701AV	1
7	UNLOADER TUBE	TF063501AP	1
8	PRESSURE SWITCH	CW207561AV	1
9	1/4-18 X 2 3/4 PIPE NIPPLE	ST070387AV	1
10	SAFETY VALVE 200PSI	V-215200AV	1
11	300 PSI 1/4 NPT PRESSURE GAUGE	GA031901AV	1
12	PUMP	TF2111 (CI070000)	1
13	7/16-14 1.5 LG HEX CAP SCREW	★	4
14	7/16 WASHER	★	8
15	7/16-14 NUT	★	4
16	MOTOR	MC033600SJ	1
17	3/8-16 1.25 LG HEX CAP SCREW	★	4
18	3/8 WASHER	★	4
19	EXT TOOTH WASHER	★	3
20	3/8-16 FLANGE NUT	★	4
21	4.6 X 1.125 PULLEY	PU009750AV	1
22	1/4 X 1.5 LG KEY	KE001304AV	1
23	SET SCREW	N/A	1
24	FLYWHEEL	PU016701AJ	1
25	FLYWHEEL KEY	KE001310AV	1
26	WASHER	TX034600AV	1
27	1/2 WASHER	★	1
28	1/2-13 1.25 LG HEX CAP SCREW	★	1
29	BELTBX-66	BT008501AV	1
30	BELTGUARD BACK	BG217100AV	1
31	5/16 WASHER	★	2
32	5/16-12 SELF TAPPING HEX SCREW	★	4
33	BELT GUARD BRACKET	TF063400AV	1
34	1/4-20 SELF-TAPPIING HEX SCREW	★	1
35	BELTGUARD FRONT	BG217000AV	1
36	#10-24 HEX FLANGE NUT	★	5
37	SAFETY CAP	ST075400AV	5
38A	STARTER WITH HEATERS 208-230V	ST122011AJ	1
38B	STARTER WITH HEATERS 460V (OPTIONAL)	ST122012AJ	1
★	AVAILABLE AT LOCAL HARDWARE STORE		

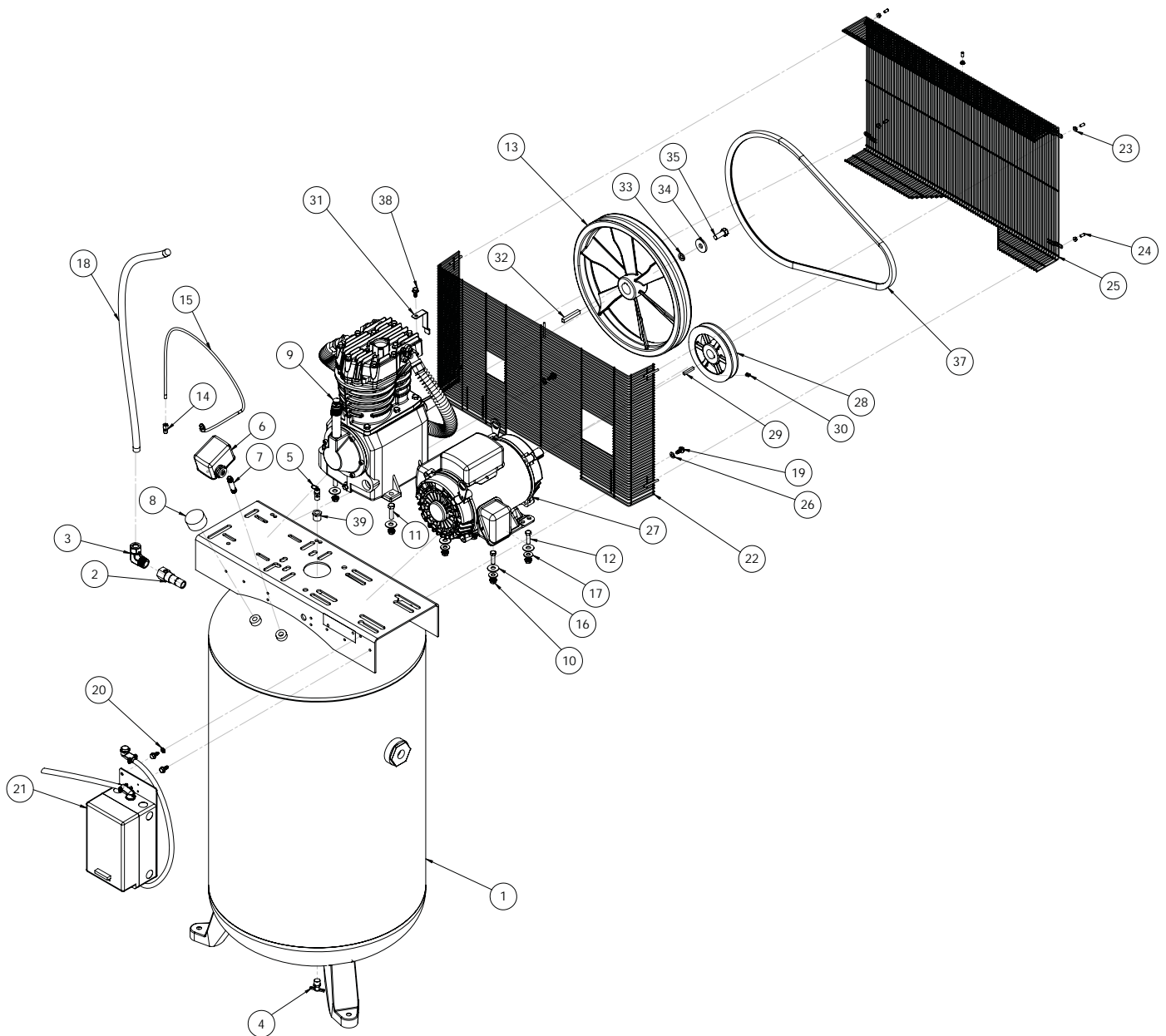
For Replacement Parts or Technical Assistance, Call 1-855-504-5678

Please provide following information:

- Model number
- Serial number (if any)
- Part description and number as shown in parts list

Address any correspondence to:

Campbell Hausfeld
Attn: Customer Service
100 Production Drive
Harrison, OH 45030 U.S.A.



REPLACEMENT PARTS LIST

REF. NO.	DESCRIPTION	CE705001	QTY.
1	TANK	TF006607CG	1
2	CHECK VALVE	CV003205AV	1
3	3/4 NPT PIPE ELBOW	ST072231AV	1
4	3/8 NPT WINGED DRAIN	ST127700AV	1
5	200PSI SAFETY VALVE	V-215200AV	1
6	PRESSURE SWITCH	CW207561AV	1
7	1/4-18 X 2 3/4 PIPE NIPPLE	ST070387AV	1
8	300 PSI 1/4 NPT PRESSURE GAUGE	GA031901AV	1
9	PUMP	TF2101 (CI050000)	1
10	3/8-16 FLANGE NUT	★	8
11	7/16-14 1.5 LG HEX CAP SCREW	★	4
12	3/8-16 1.25 LG HEX CAP SCREW	★	4
13	FLYWHEEL	PU016701AJ	1
14	1/4 COMPRESSION FITTING	ST011701AV	1
15	1/4 DIA COPPER TUBING	TF063500AP	1
16	7/16 WASHER	★	8
17	3/8 WASHER	★	7
18	DISCHARGE TUBE	TF061500AP	1
19	5/16-12 SELF TAPPING SCREW	★	4
20	5/16 EXT TOOTH LOCKWASHER	★	1
21	STARTER WITH HEATER	ST122001AJ	1
22	BELTGUARD BACK	BG217100AV	1
23	#10-24 FLANGE NUT	★	5
24	SAFETY CAP	ST075400AV	5
25	BELTGUARD FRONT	BG217000AV	1
26	5/16 WASHER	★	2
27	MOTOR	MC022393IP	1
28	PULLEY	PU008003AV	1
29	1/4 X 1.5 LG KEY	KE001304AV	1
30	5/16-18 SET SCREW	★	2
31	BELT GUARD BRACKET	TF063400AV	1
32	KEY FLYWHEEL	KE001310AV	1
33	LOCK WASHER	★	1
34	WASHER	★	1
35	1/2-13 X 1.25 LG HEX CAP SCREW	★	1
36	WIRE NUT (NOT SHOWN)	★	3
37	BELT B67	BT022001AV	1
38	1/4-20 SELF TAPPING SCREW	★	1
39	REDUCER FITTING	ST071428AV	1
★	AVAILABLE AT LOCAL HARDWARE STORE		

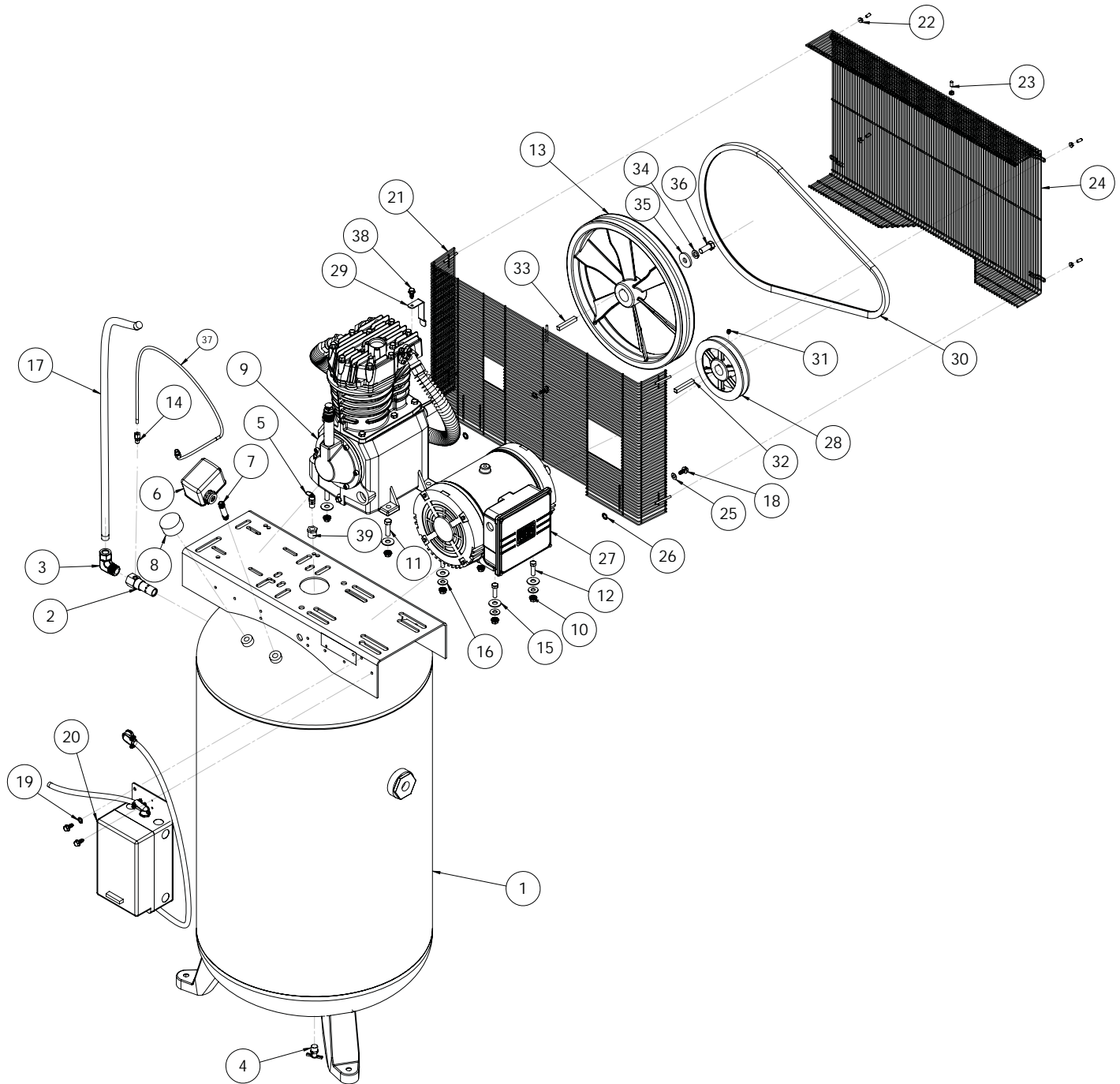
For Replacement Parts or Technical Assistance, Call 1-855-504-5678

Please provide following information:

- Model number
- Serial number (if any)
- Part description and number as shown in parts list

Address any correspondence to:

Campbell Hausfeld
Attn: Customer Service
100 Production Drive
Harrison, OH 45030 U.S.A.



REPLACEMENT PARTS LIST

REF. NO.	DESCRIPTION	CE705101	QTY.
1	TANK	TF006607CG	1
2	CHECK VALVE	CV003205AV	1
3	3/4 NPT PIPE ELBOW	ST072231AV	1
4	3/8 NPT WINGED DRAIN	ST127700AV	1
5	200PSI SAFETY VALVE	V-215200AV	1
6	PRESSURE SWITCH	CW207561AV	1
7	1/4-18 X 2 3/4 PIPE NIPPLE	ST070387AV	1
8	300 PSI 1/4 NPT PRESSURE GAUGE	GA031901AV	1
9	PUMP	TF2101 (CI050000)	1
10	3/8-16 FLANGE NUT	★	8
11	7/16-14 1.5 LG HEX CAP SCREW	★	4
12	3/8-16 1.25 LG-HEX CAP SCREW	★	4
13	FLYWHEEL	PU016701AJ	1
14	1/4 COMPRESSION FITTING	ST011701AV	1
15	7/16 WASHER	★	4
16	3/8 WASHER	★	7
17	3/4 DIA COPPER TUBING	TF061500AP	1
18	5/16-12 SELF TAPPING HEX SCREW	★	5
19	EXT TOOTH LOCKWASHER	★	1
20A	STARTER WITH HEATERS 208-230V	ST122003AJ	1
20B	STARTER WITH HEATERS 460V (OPTIONAL)	ST122004AJ	1
21	BELTGUARD BACK	BG217100AV	1
22	#10-24 HEX FLANGE NUT	ST116201AV	5
23	SAFETY CAP	ST075400AV	5
24	BELTGUARD FRONT	BG217000AV	1
25	5/16 WASHER	★	2
26	EXT TOOTH WASHER	★	2
27	MOTOR	MC033500SJ	1
28	PULLEY	PU008003AV	1
29	BELT GUARD BRACKET	TF063400AV	1
30	BELT B67	BT022001AV	1
31	SET SCREW	★	2
32	FLYWHEEL KEY	KE001304AV	1
33	KEY FLYWHEEL	KE001310AV	1
34	LOCK WASHER	★	1
35	WASHER	TX034600AV	1
36	1/2-13 X 1.25 HEX CAP SCREW	ST070603AV	1
37	1/4 DIA COPPER TUBING	TF063500AP	1
38	1/4-20 SELF TAPPING SCREW	★	1
39	REDUCER FITTING	ST071428AV	1
40	WIRE NUT (NOT SHOWN)	ST073008AV	3
★	AVAILABLE AT LOCAL HARDWARE STORE		

For Replacement Parts or Technical Assistance, Call 1-855-504-5678

Please provide following information:

- Model number
- Serial number (if any)
- Part description and number as shown in parts list

Address any correspondence to:

Campbell Hausfeld
Attn: Customer Service
100 Production Drive
Harrison, OH 45030 U.S.A.

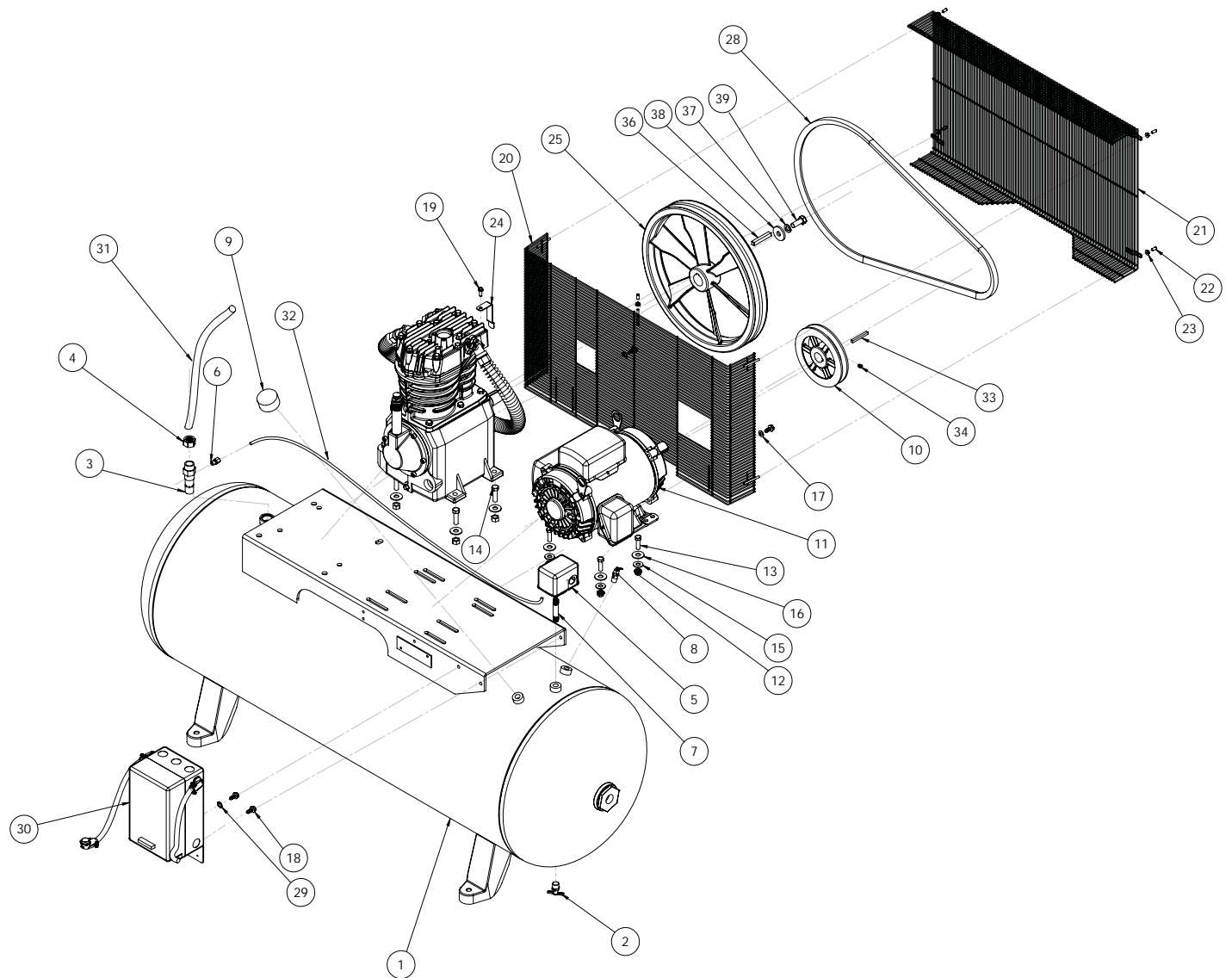


Figure 2 - CE705XXX Repair Parts Illustration

REPLACEMENT PARTS LIST

REF. NO.	DESCRIPTION	CE705201	QTY.
1	TANK	TF003603CG	1
2	3/8 DRAIN VALVE	ST127700AV	1
3	CHECK VALVE	CV003404AV	1
4	COMPRESSION NUT	ST072321AV	1
5	PRESSURE SWITCH	CW207561AV	1
6	1/4 COMPRESSION FITTING	ST011701AV	2
7	1/4-18 X 2 3/4 PIPE NIPPLE	ST070387AV	1
8	200PSI SAFETY VALVE	V-215200AV	1
9	300 PSI 1/4 NPT PRESSURE GAUGE	GA031901AV	1
10	PULLEY	PU008003AV	1
11	MOTOR	MC022393IP	1
12	3/8-16 FLANGE NUT	★	4
13	3/8-16 1.25 LG HEX CAP SCREW	★	4
14	7/16-14 1.5 LG HEX CAP SCREW	★	4
15	3/8 WASHER	★	4
16	7/16 WASHER	★	8
17	5/16 WASHER	★	2
18	5/16-12 SELF TAPPING SCREW	★	4
19	1/4-20 SELF TAPPING SCREW	★	1
20	BELTGUARD BACK	BG217100AV	1
21	BELTGUARD FRONT	BG217000AV	1
22	SAFETY CAP	ST075400AV	5
23	#10-24 FLANGE NUT	★	5
24	BELTGUARD BRACKET	TF063400AV	1
25	FLYWHEEL	PU016701AJ	1
26	PUMP	TF2101 (CI050000)	1
27	7/16-14 HEX NUT	★	4
28	BELT B67	BT022001AV	1
29	EXT TOOTH WASHER	★	2
30	STARTER WITH HEATERS	ST122001AJ	2
31	3/4 COPPER TUBING	CE001400AP	1
32	1/4 COPPER TUBING	TF063501AP	1
33	PULLEY KEY	KE001304AV	1
34	5/16-18 SET SCREW	★	1
35	FLYWHEEL KEY	KE001310AV	1
36	LOCK WASHER	★	1
37	WIRE NUT (NOT SHOWN)	ST073008AV	1
38	WASHER	★	1
39	1/2-13 X 1.25 HEX CAP SCREW	★	1
★	AVAILABLE AT LOCAL HARDWARE STORE		

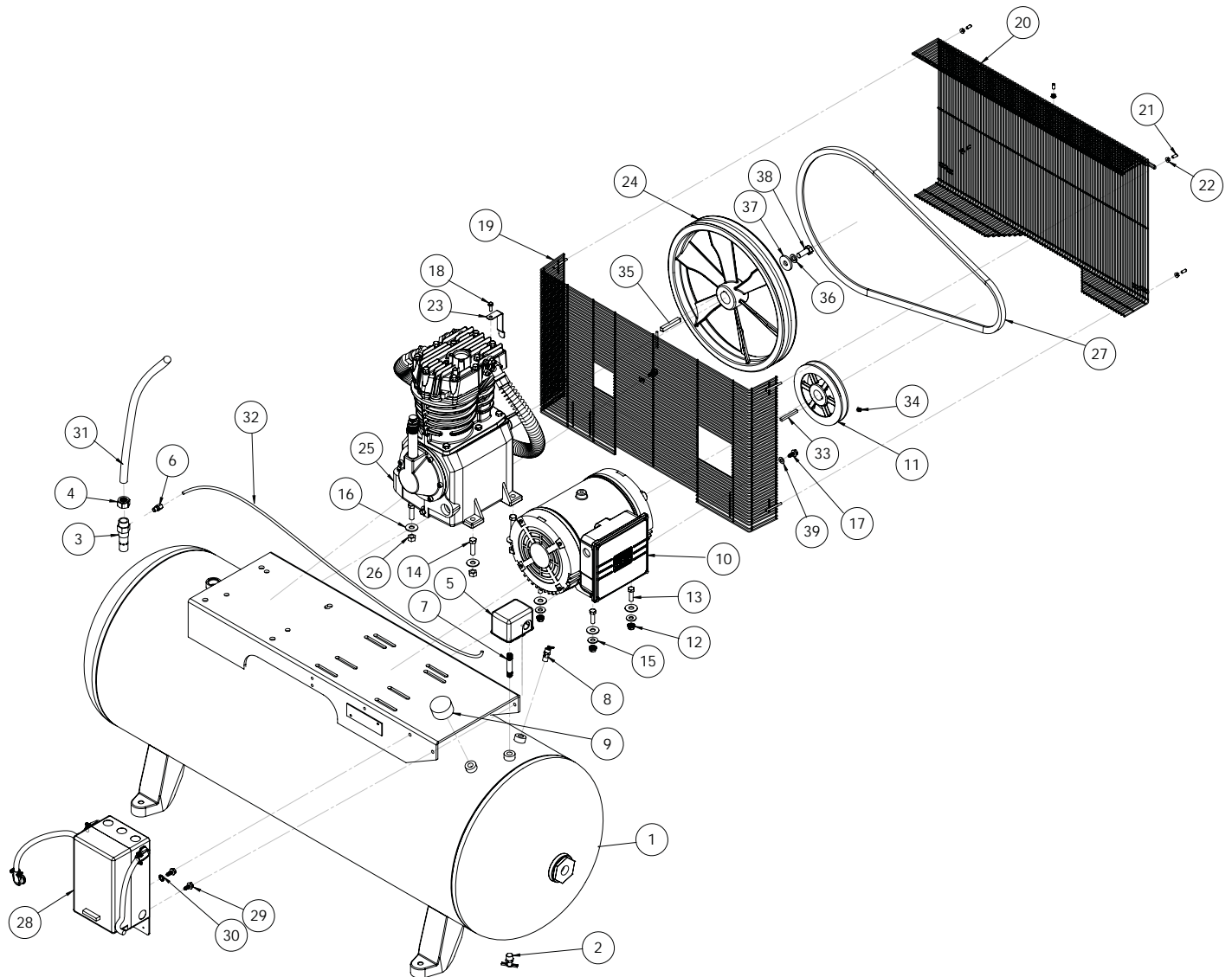
For Replacement Parts or Technical Assistance, Call 1-855-504-5678

Please provide following information:

- Model number
- Serial number (if any)
- Part description and number as shown in parts list

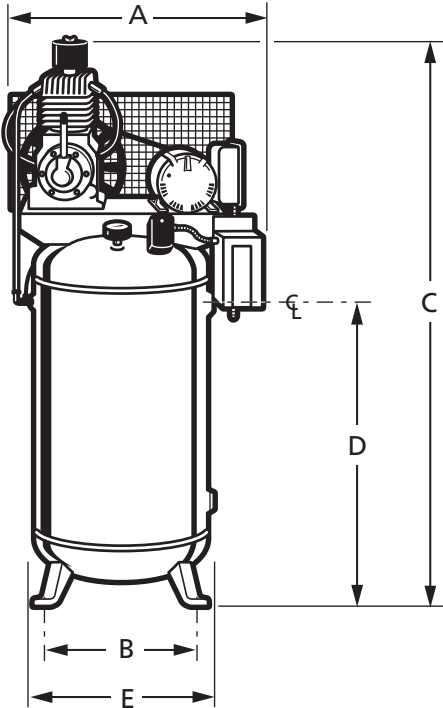
Address any correspondence to:

Campbell Hausfeld
Attn: Customer Service
100 Production Drive
Harrison, OH 45030 U.S.A.

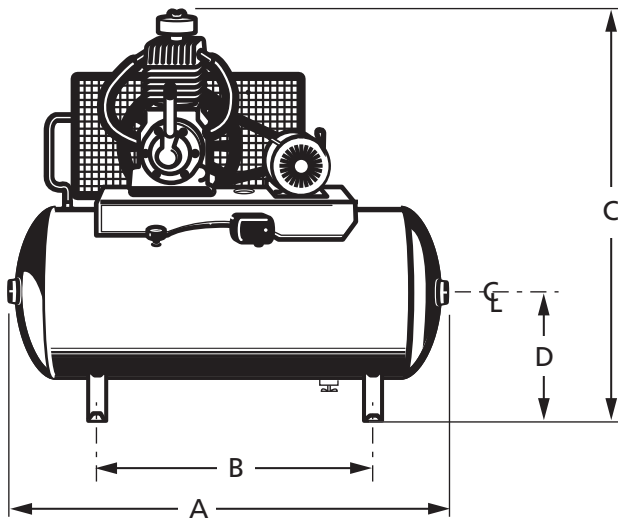


REPLACEMENT PARTS LIST

REF. NO.	DESCRIPTION	CE705301	QTY.
1	TANK	TF003603CG	1
2	3/8 DRAIN VALVE	ST127700AV	1
3	CHECK VALVE	CV003404AV	1
4	COMPRESSION NUT	ST072321AV	1
5	PRESSURE SWITCH	CW207561AV	1
6	1/4 COMPRESSION FITTING	ST011701AV	1
7	1/4-18 X 2 3/4 PIPE NIPPLE	ST070387AV	1
8	200PSI SAFETY VALVE	V-215200AV	1
9	300 PSI 1/4 NPT PRESSURE GAUGE	GA031901AV	1
10	MOTOR	MC033500SJ	1
11	PULLEY	PU008003AV	1
12	3/8-16 FLANGE NUT	★	4
13	3/8-16 1.25 LG-HEX CAP SCREW	★	4
14	7/16-14 1.5 LG HEX CAP SCREW	★	4
15	3/8 WASHER	★	4
16	7/16 WASHER	★	8
17	5/16-12 SELF-TAPPING HEX SCREW	★	4
18	1/4-20 SELF-TAPPING HEX SCREW	★	1
19	BELTGUARD BACK	BG217100AV	1
20	BELTGUARD FRONT	BG217000AV	1
21	SAFETY CAP	ST075400AV	5
22	NUT 10-24 HEX FLANGE	★	5
23	BELT GUARD BRACKET	TF063400AV	1
24	FLYWHEEL	PU016701AV	1
25	PUMP	TF2101 (CI050000)	1
26	7/16-14 HEX NUT	★	4
27	BELT B67	BT022001AV	1
28A	STARTER WITH HEATERS 208-230V	ST122003AJ	1
28B	STARTER WITH HEATERS 460V (OPTIONAL)	ST122004AJ	1
29	5/16-18 BLK	★	2
30	EXT TOOTH WASHER	★	1
31	3/4 DIA COPPER TUBING	TF062200AP	1
32	1/4 DIA COPPER TUBING	TF063501AP	1
33	PULLEY KEY	KE001304AV	1
34	5/16-18 SET SCREW	★	1
35	KEY FLYWHEEL	KE001310AV	1
36	LOCK WASHER	★	1
37	WASHER	TX034600AV	1
38	1/2-13 X 1.25 HEX CAP SCREW	★	1
39	5/16 WASHER	★	2
40	WIRE NUT (NOT SHOWN)	ST073008AV	3
★	AVAILABLE AT LOCAL HARDWARE STORE		



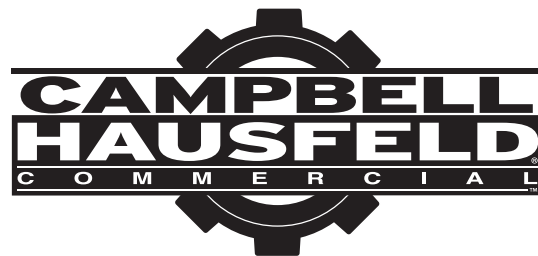
Key	Item	Dim.
A	Overall width	32.5 inch
B	Bolt down-width (120° apart)	27.0 inch
C	Overall height	75.0 inch
D	Tank outlet to ground	40.0 inch
E	Overall depth	25.5 inch



Key	Item	Dim.
A	Overall width	64.0 inch
B	Bolt down-width	40 inch
C	Overall height	49 inch
D	Tank outlet to ground	14.0 inch
E	△ Bolt down depth	18.0 inch
F	△ Overall depth	20.5 inch

△ Not shown

Compresseur D'Air Stationnaire À Deux Étages



MODÈLES: CE700001, CE700101, CE700501, CE700601, CE705001, CE705101, CE705201, CE705301



Spécifications

Modèle	Moteur HP	Pression de Débit	Déplacement m ³ /min.	Débit m ³ /min.	Pression Max.	Pompe RPM	Poids du Modèle	Phasé
CE700001, CE700501	7,5	1207 kPa	0,89	0,71	1207 kPa	1020	245 Kg	1
CE700101, CE700601	7,5	1207 kPa	0,89	0,71	1207 kPa	1020	245 Kg	3
CE705001, CE705201	5,0	1207 kPa	0,60	0,50	1207 kPa	700	232 Kg	1
CE705101, CE705301	5,0	1207 kPa	0,60	0,50	1207 kPa	700	232 Kg	3

Veuillez inscrire le No de modèle et le No de série à utiliser pour contacter le fabricant :

N° de modèle : _____

N° de série : _____

Date d'achat : _____

Lieu d'achat : _____

Pour obtenir de l'information sur le produit, veuillez appeler le 1-800-330-0712.

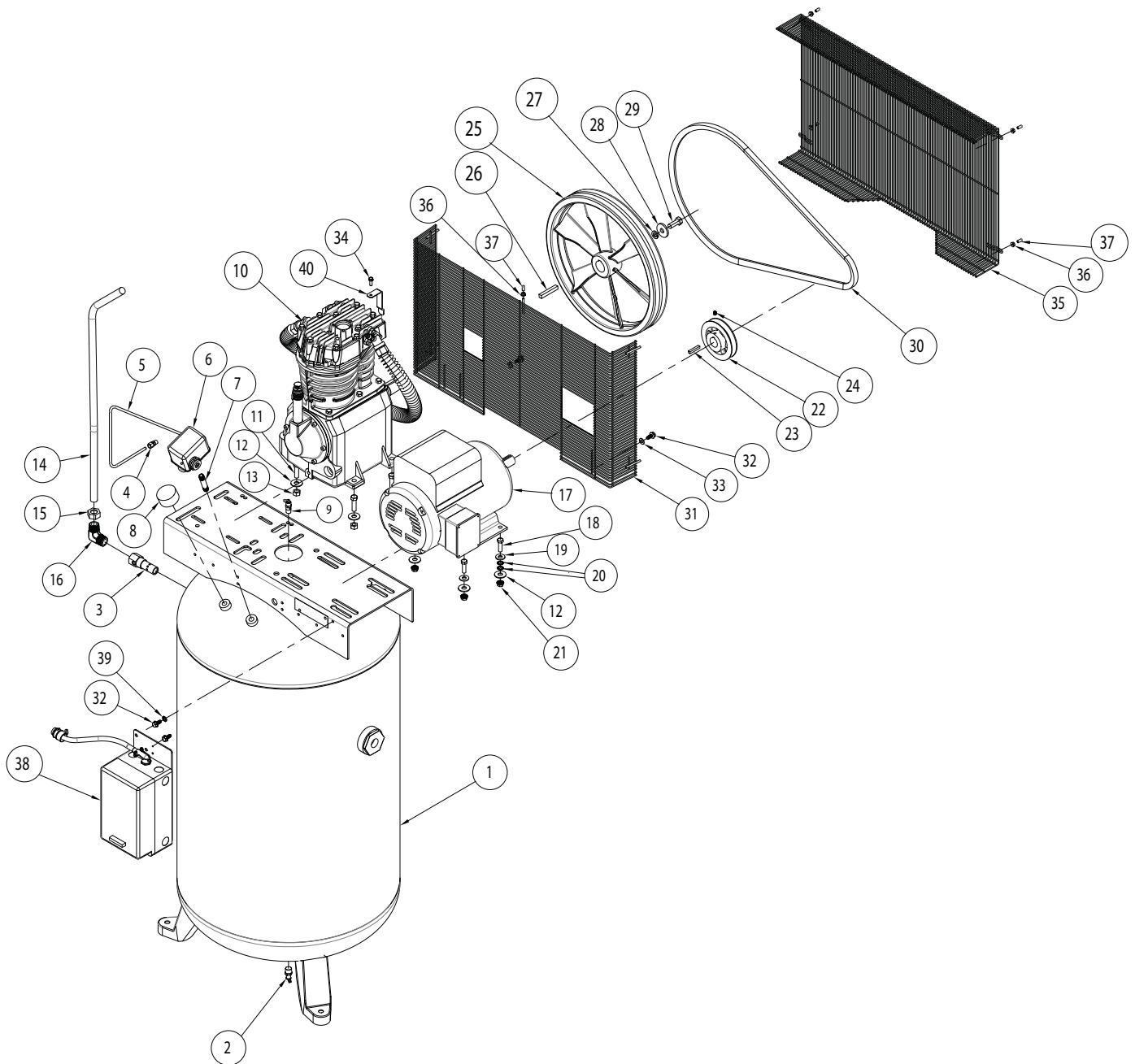
Pour pièces de rechange ou assistance technique, appeler 1-855-504-5678

S'il vous plaît fournir l'information suivante :

- Numéro de Modèle
- Numéro de série (si présent)
- Description et numéro de la pièce

Adresser toute correspondance à :

Campbell Hausfeld
Attn: Customer Service
100 Production Drive
Harrison, OH 45030 U.S.A.



LISTE DE PIÈCES DE RECHANGE

NO. DE REF.	DESCRIPTION	CE700001	QTÉ.
1	TRÉSERVOIR	TF006607CG	1
2	ROBINET DE VIDANGE, 9,5 MM (3/8 PO) NPT	ST127700AV	1
3	CLAPET	CV003205AV	1
4	RACCORD DE COMPRESSION	ST011701AV	1
5	TUYAU DE DÉCHARGEMEN	TF063500AP	1
6	MANOSTAT	CW207561AV	1
7	MAMELON DE TUYAU, 6,4 MM (1/4 PO) - 18 X 2-3/4 PO	ST070387AV	1
8	MANOMÈTRE, 6,4 MM (1/4 PO) NPT, 2069 KPA	GA031901AV	1
9	SOUPAPE DE SÛRETÉ	V-215200AV	1
10	POMPE	TF2111 (CI070000)	1
11	VIS À TÊTE HEXAG. DE 11,1 MM (7/16 PO) - 14 1.5	★	4
12	RONDELLE 11,1 MM (7/16 PO) NPT	★	8
13	ÉCROU HEXAGONAL 11,1 MM (7/16 PO) - 14	★	4
14	TUYAU DE DÉCHARGE	TF069000AJ	1
15	RACCORD DE COMPRESSION 3/4 PO NPT	ST072321AV	1
16	COUDE POUR TUYAU 19,1 MM (3/4 PO) NPT	ST072231AV	1
17	MOTEUR	MC025100AV	1
18	VIS À TÊTE HEXAG. DE 9,5 MM (3/8 PO) - 16 1.25	★	4
19	RONDELLE 9,5 MM (3/8 PO) NPT	★	4
20	RONDELLE-FREIN À DENTS EXTERNE	★	2
21	ÉCROU 9,5 MM (3/8 PO) - 16	★	4
22	POULIE	PU009750AV	1
23	CLÉ	KE001304AV	1
24	VIS DE PRESSION	★	1
25	VOLANT	PU016700AV	1
26	CLÉ DE VOLANT MOTEUR	KE001301AV	1
27	RONDELLE 12,7 MM (1/2 PO) NPT	★	1
28	RONDELLE DE BLOCAGE 12,7 MM (1/2 PO) NPT	★	1
29	VIS AUTOTARAUEUSE HEXAGONALE, 1/2 PO - 13 1.25	★	1
30	COURROIE BX-66	BT008501AV	1
31	CARTER DE COURROIE (ARRIÈRE)	BG217100AV	1
32	VIS AUTOTARAUEUSE HEXAGONALE, 7,9 MM (5/16 PO) - 12	★	4
33	RONDELLE 7,9 MM (5/16 PO) NPT	★	2
34	VIS AUTOFOREUSE 6,4 MM (1/4 PO) - 20	★	1
35	CARTER DE COURROIE AVANT	BG217000AV	1
36	ÉCROU 10-24	★	5
37	CHAPEAU DE SÛRETÉ	ST075400AV	5
38	DÉMARREUR AVEC DES RADIATEURS	ST122010AJ	1
39	RONDELLE-FREIN À DENTS EXTERNE 7,9 MM (5/16 PO)	★	1
40	SUPPORT DE CARTER DE COURROIE	TF063400AV	1
★	ARTICLE DISPONIBLE CHEZ VOTRE QUINCAILLERIE LOCALE		

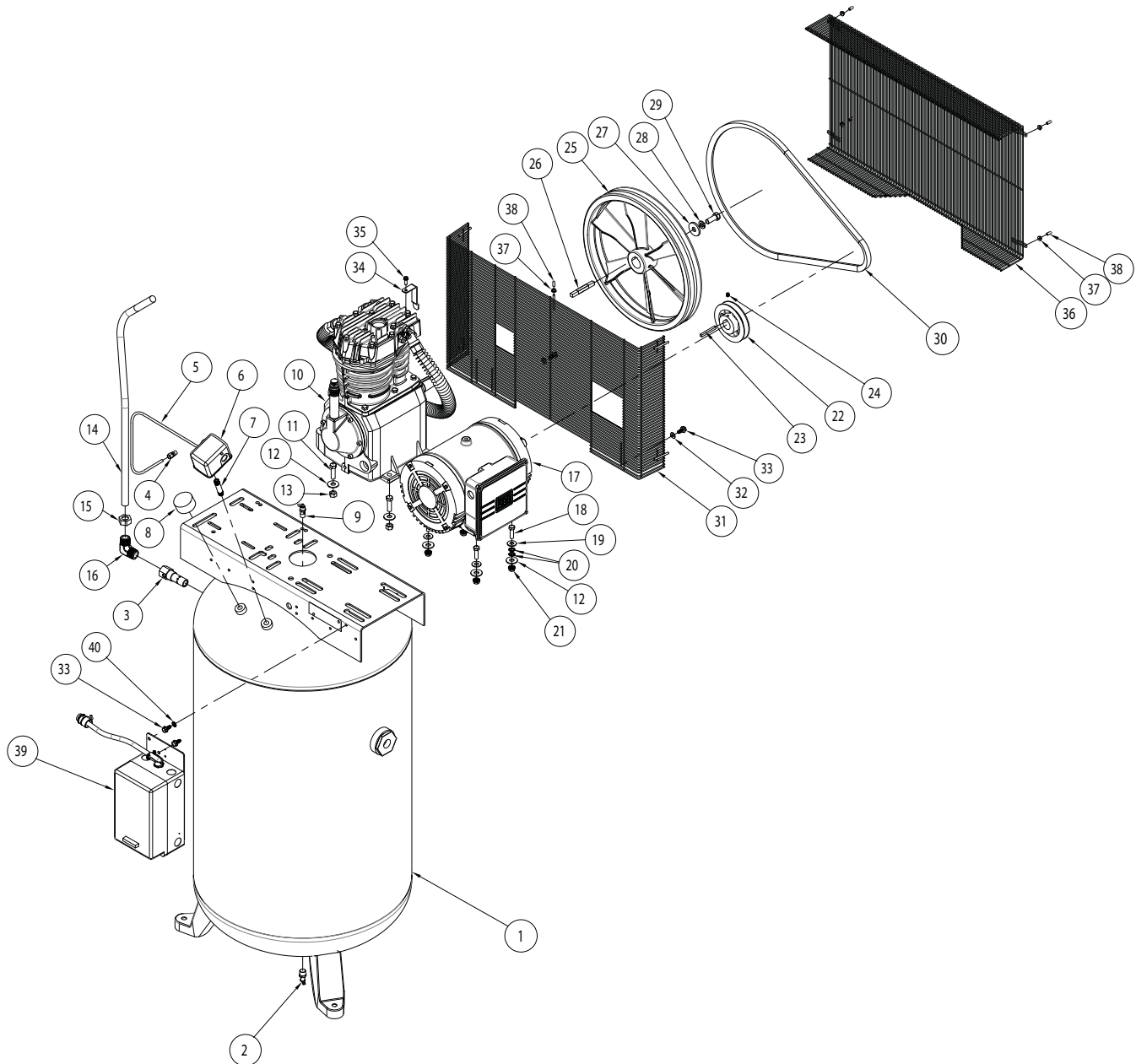
Pour pièces de rechange ou assistance technique, appeler 1-855-504-5678

S'il vous plaît fournir l'information suivante :

- Numéro de Modèle
- Numéro de série (si présent)
- Description et numéro de la pièce

Adresser toute correspondance à :

Campbell Hausfeld
Attn: Customer Service
100 Production Drive
Harrison, OH 45030 U.S.A.



LISTE DE PIÈCES DE RECHANGE

NO. DE REF.	DESCRIPTION	CE700101	QTÉ.
1	RÉSERVOIR	TF006607CG	1
2	ROBINET DE VIDANGE, 9,5 MM (3/8 PO) NPT	ST127700AV	1
3	CLAPET	CV003205AV	1
4	RACCORD DE COMPRESSION	ST011701AV	1
5	TUYAU DE DÉCHARGEMEN	TF063500AP	1
6	MANOSTAT	CW207561AV	1
7	MAMELON DE TUYAU, 6,4 MM (1/4 PO) - 18 X 2-3/4 PO	ST070387AV	1
8	MANOMÈTRE, 6,4 MM (1/4 PO) NPT, 2069 KPA	GA031901AV	1
9	SOUPAPE DE SÛRETÉ	V-215200AV	1
10	POMPE	TF2111 (CI070000)	1
11	VIS À TÊTE HEXAG. DE 11,1 MM (7/16 PO) - 14 1.5	★	4
12	RONDELLE 11,1 MM (7/16 PO) NPT	★	8
13	ÉCROU HEXAGONAL 11,1 MM (7/16 PO) - 14	★	4
14	TUYAU DE DÉCHARGE	TF069000AJ	1
15	RACCORD DE COMPRESSION 19,1 MM (3/4 PO) NPT	ST072321AV	1
16	COUDE POUR TUYAU 19,1 MM (3/4 PO) NPT	ST072231AV	1
17	MOTEUR	MC033600SJ	1
18	VIS À TÊTE HEXAG. DE 9,5 MM (3/8 PO) - 16 1.25	★	4
19	RONDELLE 9,5 MM (3/8 PO) NPT	★	4
20	RONDELLE-FREIN À DENTS EXTERNE	★	2
21	ÉCROU 9,5 MM (3/8 PO) -16	★	4
22	POULIE	PU009750AV	1
23	CLÉ	★	1
24	VIS DE PRESSION	★	1
25	VOLANT	PU016700AJ	1
26	CLÉ DE VOLANT MOTEUR	KE001310AV	1
27	RONDELLE 12,7 MM (1/2 PO) NPT	★	1
28	RONDELLE DE BLOCAGE 12,7 MM (1/2 PO) NPT	★	1
29	VIS AUTOTARAUEUSE HEXAGONALE, 12,7 MM (1/2 PO) - 13 1.25	★	1
30	COURROIE BX-66	BT008501AV	1
31	CARTER DE COURROIE (ARRIÈRE)	BG217100AV	1
32	RONDELLE 7,9 MM (5/16 PO) NPT	★	2
33	VIS AUTOTARAUEUSE HEXAGONALE, 7,9 MM (5/16 PO) - 12	★	4
34	SUPPORT DE CARTER DE COURROIE	TF063400AV	1
35	VIS AUTOFOREUSE 6,4 MM (1/4 PO) - 20	★	1
36	CARTER DE COURROIE AVANT	BG217000AV	1
37	ÉCROU 10-24	★	5
38	CHAPEAU DE SÛRETÉ	ST075400AV	5
39A	DÉMARREUR AVEC DES RADIATEURS 208-230V	ST122011AJ	1
39B	DÉMARREUR AVEC DES RADIATEURS 460V (EN OPTION)	ST122012AJ	1
40	RONDELLE-FREIN À DENTS EXTERNE 7,9 MM (5/16 PO)	ST146800AV	1
★	ARTICLE DISPONIBLE CHEZ VOTRE QUINCAILLERIE LOCALE		

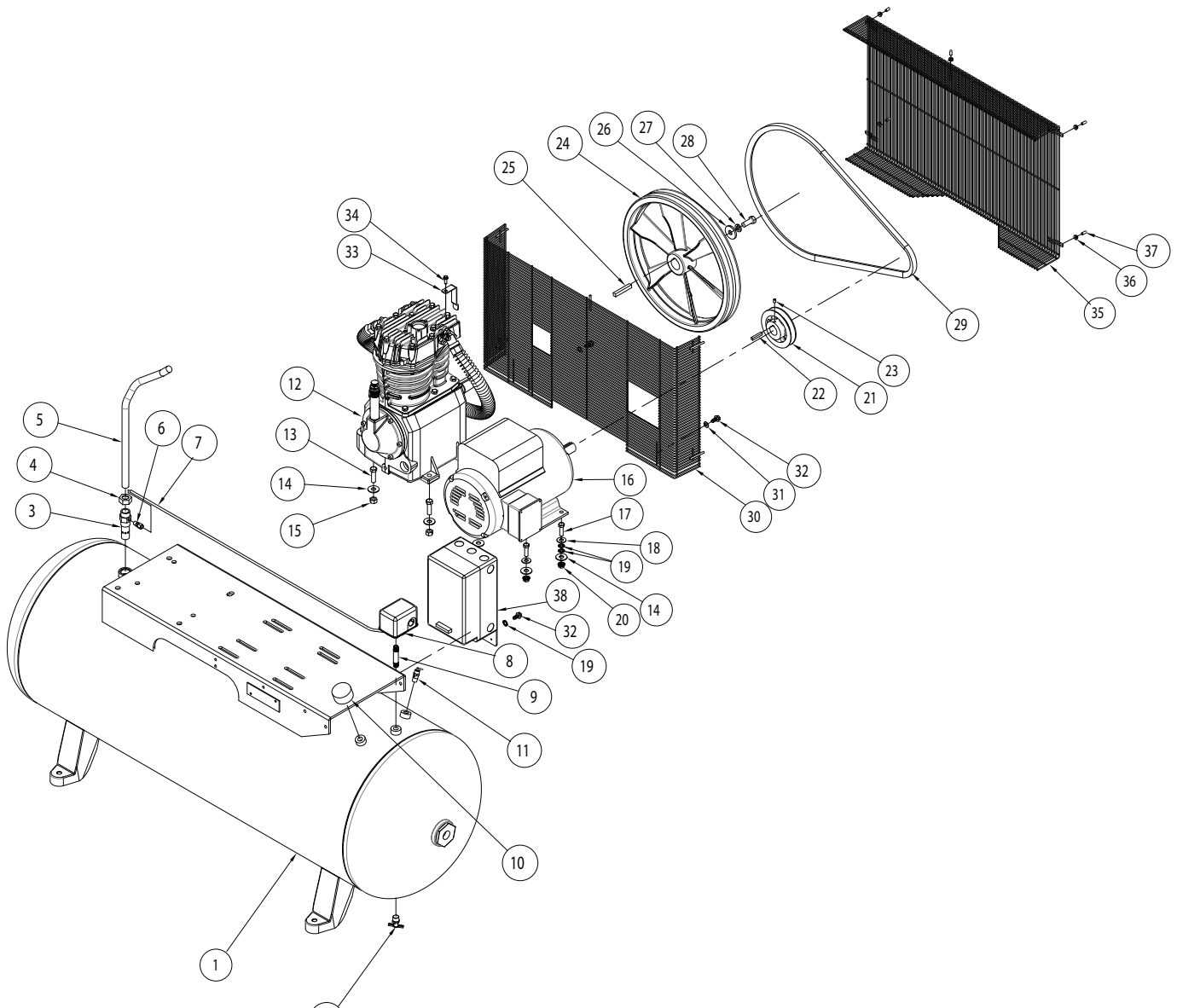
Pour pièces de rechange ou assistance technique, appeler 1-855-504-5678

S'il vous plaît fournir l'information suivante :

- Numéro de Modèle
- Numéro de série (si présent)
- Description et numéro de la pièce

Adresser toute correspondance à :

Campbell Hausfeld
Attn: Customer Service
100 Production Drive
Harrison, OH 45030 U.S.A.



LISTE DE PIÈCES DE RECHANGE

NO. DE REF.	DESCRIPTION	CE700501	QTÉ.
1	RÉSERVOIR	TF003603CG	1
2	ROBINET DE VIDANGE, 9,5 MM (3/8 PO) NPT	ST127700AV	1
3	CLAPET	CV003404AV	1
4	COUDE POUR TUYAU 19,1 MM (3/4 PO) NPT	ST072321AV	1
5	TUYAU D'ÉCHAPPEMENT	TF062200AP	1
6	RACCORD DE COMPRESSION	ST011701AV	1
7	TUYAU DE DÉCHARGEMENT	TF063501AP	1
8	MANOSTAT	CW207561AV	1
9	MAMELON DE TUYAU, 6,4 MM (1/4 PO) - 18 X 2-3/4 PO	ST070387AV	1
10	MANOMÈTRE, 6,4 MM (1/4 PO) NPT, 2069 KPA	GA031901AV	1
11	SOUPAPE DE SÛRETÉ 200PSI	V-215200AV	1
12	POMPE	TF2101 (CI050000)	1
13	VIS À TÊTE HEXAG. DE 11,1 MM (7/16 PO) - 14 1.5	★	4
14	RONDELLE 11,1 MM (7/16 PO) NPT	★	8
15	ÉCROU 11,1 MM (7/16 PO) - 14	★	4
16	MOTEUR	MC025100AV	1
17	VIS À TÊTE HEXAG. DE 9,5 MM (3/8 PO) - 16 1.25	★	4
18	RONDELLE 9,5 MM (3/8 PO)	★	4
19	RONDELLE ÉTOILE DE DENT EXTÉRIEURE DE 9,5 MM (3/8 PO)	★	3
20	ÉCROU À COLLET 9,5 MM (3/8 PO)-16	★	4
21	POULIE 4.6 X 1.125	PU009750AV	1
22	CLÉ 6,4 MM (1/4 PO) X 1.5 LG	KE001304AV	1
23	VIS DE PRESSION	★	1
24	VOLANT	PU016701SJ	1
25	CLÉ DE VOLANT MOTEUR	KE001310AV	1
26	RONDELLE	TX034600AV	1
27	RONDELLE 12,7 MM (1/2 PO)	★	1
28	VIS À TÊTE HEXAG. DE 12,7 MM (1/2 PO) - 13 1.25	★	1
29	COURROIE BX-66	BT008501AV	1
30	CARTER DE COURROIE AVANT	BG217100AV	1
31	RONDELLE 7,9 MM (5/16 PO)	★	2
32	VIS AUTOTARAUDEUSE HEXAGONALE, 7,9 MM (5/16 PO) - 12	★	4
33	SUPPORT DE CARTER DE COURROIE	TF063400AV	1
34	6,4 MM (1/4 PO) - 20 VIS À TÔLE	★	1
35	CARTER DE COURROIE (ARRIÈRE)	BG217000AV	1
36	ÉCROU 10-24	★	5
37	CHAPEAU DE SÛRETÉ	ST075400AV	5
38	DÉMARREUR AVEC DES RADIATEURS	ST122010AJ	1
★	ARTICLE DISPONIBLE CHEZ VOTRE QUINCAILLERIE LOCALE		

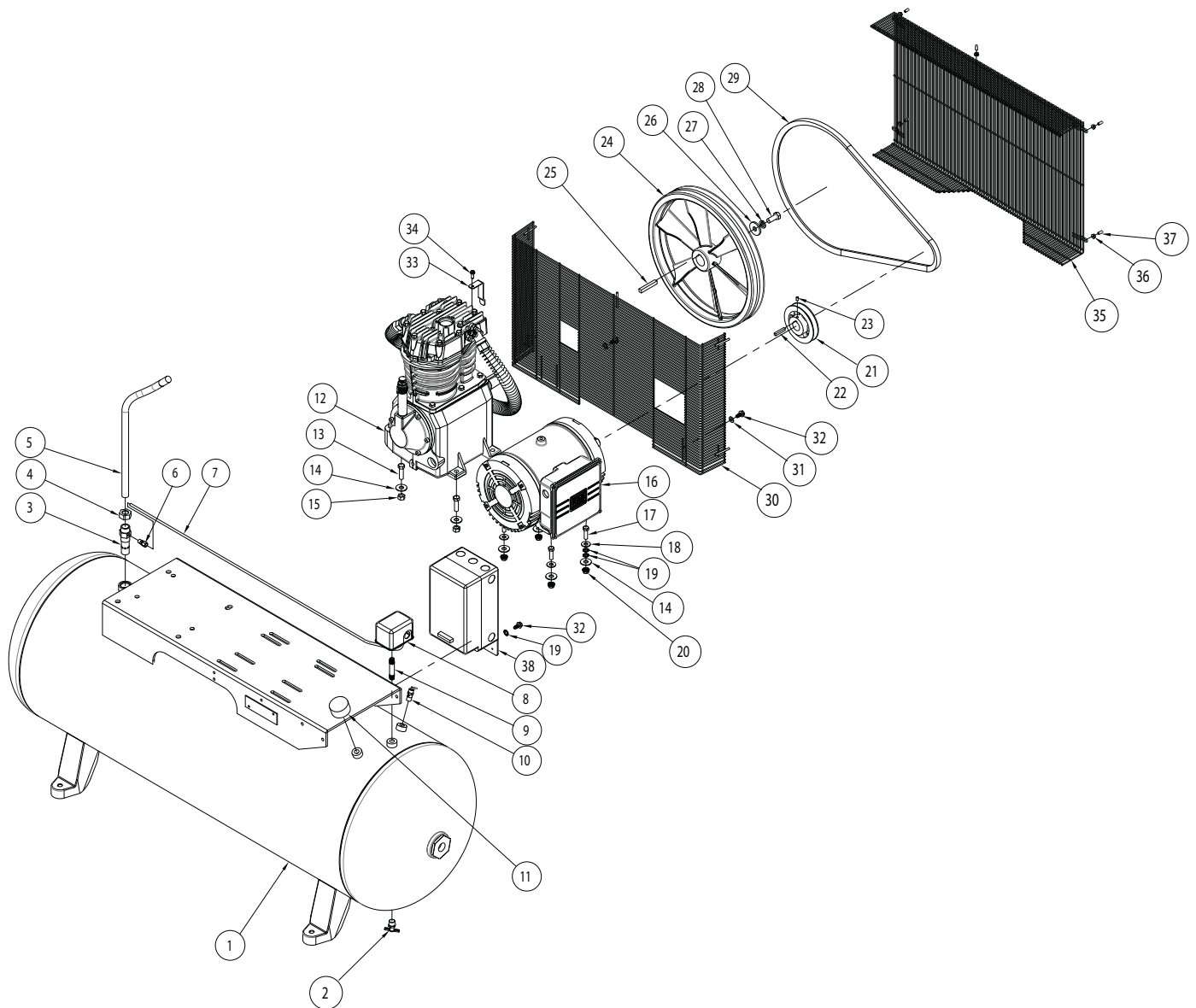
Pour pièces de rechange ou assistance technique, appeler 1-855-504-5678

S'il vous plaît fournir l'information suivante :

- Numéro de Modèle
- Numéro de série (si présent)
- Description et numéro de la pièce

Adresser toute correspondance à :

Campbell Hausfeld
Attn: Customer Service
100 Production Drive
Harrison, OH 45030 U.S.A.



LISTE DE PIÈCES DE RECHANGE

NO. DE REF.	DESCRIPTION	CE700601	QTÉ.
1	RÉSERVOIR	TF003603CG	1
2	ROBINET DE VIDANGE, 9,5 MM (3/8 PO) NPT	ST0127700AV	1
3	CLAPET	CV003404AV	1
4	RACCORD DE COMPRESSION	ST072321AV	1
5	TUYAU D'ÉCHAPPEMENT	TF062200AP	1
6	RACCORD DE COMPRESSION	ST011701AV	1
7	TUYAU DE DÉCHARGEMEN	TF063501AP	1
8	MANOSTAT	CW207561AV	1
9	MAMELON DE TUYAU, 6,4 MM (1/4 PO) - 18 X 2-3/4 PO	ST070387AV	1
10	SOUPAPE DE SÛRETÉ	V-215200AV	1
11	MANOMÈTRE, 6,4 MM (1/4 PO) NPT, 2069 KPA	GA031901AV	1
12	POMPE	TF2111 (CI070000)	1
13	VIS À TÊTE HEXAG. DE 11,1 MM (7/16 PO) - 14 1.5	★	4
14	RONDELLE 11,1 MM (7/16 PO) NPT	★	8
15	ÉCROU 11,1 MM (7/16 PO) -14	★	4
16	MOTEUR	MC033600SJ	1
17	VIS À TÊTE HEXAG. DE 9,5 MM (3/8 PO) - 16 1.25	★	4
18	RONDELLE 9,5 MM (3/8 PO) NPT	★	4
19	RONDELLE-FREIN À DENTS EXTERNE	★	3
20	ÉCROU 9,5 MM (3/8 PO) - 16	★	4
21	POULIE	PU009750AV	1
22	CLÉ	KE001304AV	1
23	VIS DE PRESSION	N/A	1
24	VOLANT	PU016701AJ	1
25	CLÉ DE VOLANT MOTEUR	KE001310AV	1
26	RONDELLE	TX034600AV	1
27	RONDELLE 12,7 MM (1/2 PO)	★	1
28	VIS À TÊTE HEXAG. DE 12,7 MM (1/2 PO) - 13 1.25	★	1
29	COURROIE BX-66	BT008501AV	1
30	CARTER DE COURROIE (ARRIÈRE)	BG217100AV	1
31	RONDELLE 7,9 MM (5/16 PO) NPT	★	2
32	VIS AUTOTARAUDEUSE HEXAGONALE, 7,9 MM (5/16 PO) - 12	★	4
33	SUPPORT DE CARTER DE COURROIE	TF063400AV	1
34	VIS AUTOFOREUSE 6,4 MM (1/4 PO) - 20	★	1
35	CARTER DE COURROIE AVANT	BG217000AV	1
36	ÉCROU 10-24	★	5
37	CHAPEAU DE SÛRETÉ	ST075400AV	5
38A	DÉMARREUR AVEC DES RADIATEURS 208-230V	ST122011AJ	1
38B	DÉMARREUR AVEC DES RADIATEURS 460V (EN OPTION)	ST122012AJ	1
★	ARTICLE DISPONIBLE CHEZ VOTRE QUINCAILLERIE LOCALE		

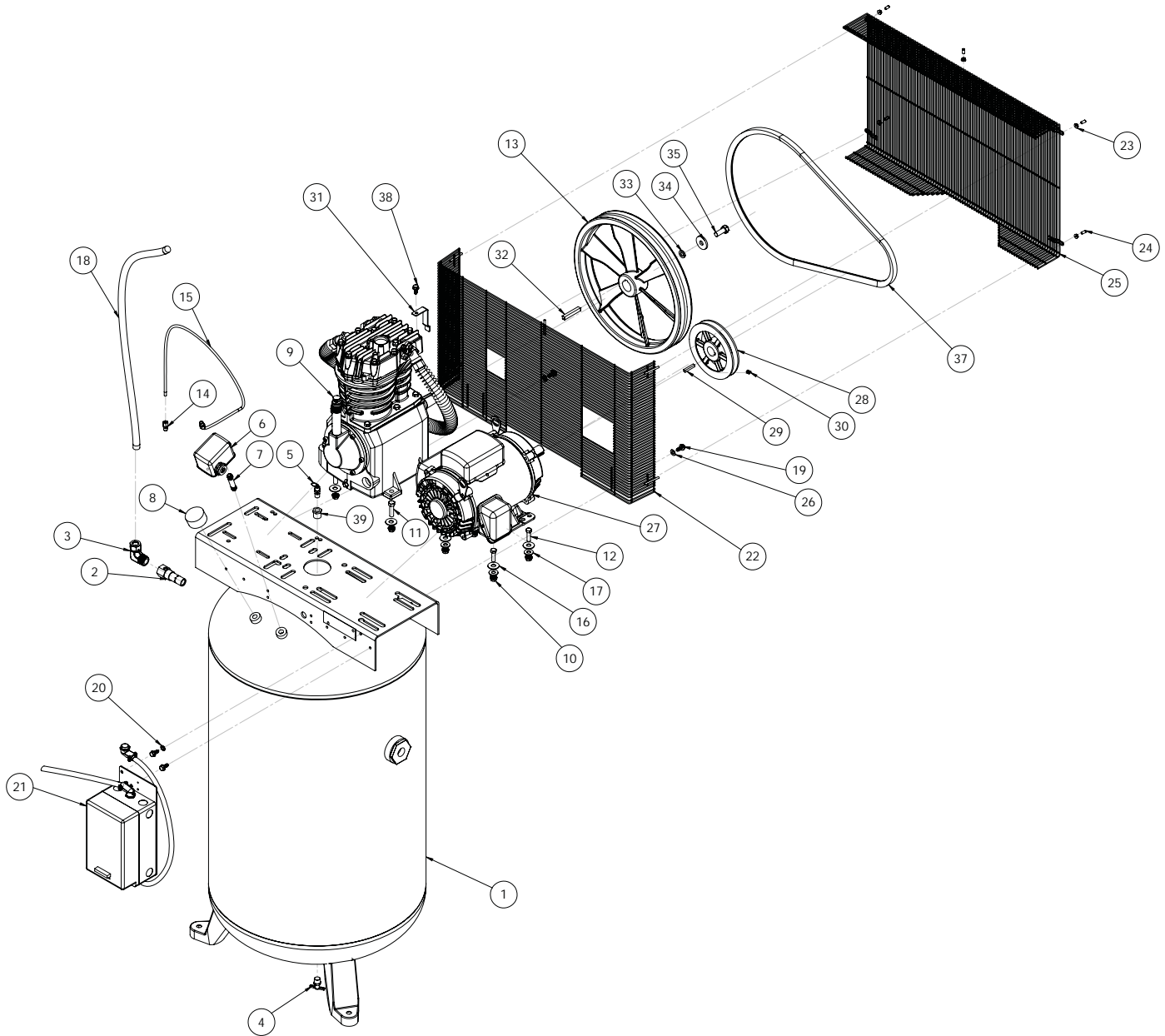
Pour pièces de rechange ou assistance technique, appeler 1-855-504-5678

S'il vous plaît fournir l'information suivante :

- Numéro de Modèle
- Numéro de série (si présent)
- Description et numéro de la pièce

Adresser toute correspondance à :

Campbell Hausfeld
Attn: Customer Service
100 Production Drive
Harrison, OH 45030 U.S.A.



LISTE DE PIÈCES DE RECHANGE

NO. DE REF.	DESCRIPTION	CE705001	QTÉ.
1	RÉSERVOIR	TF006607CG	1
2	CLAPET	CV003205AV	1
3	COUDE POUR TUYAU 6,3 MM (3/4 PO) NPT	ST072231AV	1
4	ROBINET DE VIDANGE, 9,5 MM (3/8 PO) NPT	ST127700AV	1
5	SOUPAPE DE SÛRETÉ 200PSI	V-215200AV	1
6	MANOSTAT	CW207561AV	1
7	MAMELON DE TUYAU, 6,4 MM (1/4 PO) - 18 X 2-3/4 PO	ST070387AV	1
8	MANOMÈTRE, 6,4 MM (1/4 PO) NPT, 2069 KPA	GA031901AV	1
9	POMPE	TF2101 (CI050000)	1
10	ÉCROU 9,5 MM (3/8 PO) - 16	★	8
11	VIS À TÊTE HEXAG. DE 11,1 MM (7/16 PO) - 14 1.5	★	4
12	VIS À TÊTE HEXAG. DE 9,5 MM (3/8 PO) - 16 1.25	★	4
13	VOLANT	PU016701AJ	1
14	RACCORD DE COMPRESSION	ST011701AV	1
15	TUBE EN CUIVRE 6,4 MM (1/4 PO)	TF063500AP	1
16	RONDELLE 11,1 MM (7/16 PO)	★	8
17	RONDELLE 9,5 MM (3/8 PO)	★	7
18	TUYAU DE DÉCHARGEMEN	TF061500AP	1
19	VIS AUTO-TARAUDEUSE 7,9 MM (5/16 PO) - 12	★	4
20	RONDELLE RESSORT DENTÉE EXTERNE 7,9 MM (5/16 PO)	★	1
21	DÉMARREUR AVEC DES RADIATEURS	ST122001AJ	1
22	CARTER DE COURROIE (ARRIÈRE)	BG217100AV	1
23	ÉCROU 10-24	★	5
24	CHAPEAU DE SÛRETÉ	ST075400AV	5
25	CARTER DE COURROIE AVANT	BG217000AV	1
26	RONDELLE 7,9 MM (5/16 PO)	★	2
27	MOTEUR	MC022393IP	1
28	POMPE	PU008003AV	1
29	CLÉ 6,4 MM (1/4 PO) X 1.5 LG	KE001304AV	1
30	VIS DE PRESSION 7,9 MM (5/16 PO) - 18	★	2
31	SUPPORT DE CARTER DE COURROIE	TF063400AV	1
32	CLÉ DE VOLANT MOTEUR	KE001310AV	1
33	RONDELLE DE BLOCAGE	★	1
34	RONDELLE	★	1
35	VIS D'ASSEMBLAGE HEXAGONALE 12,7 MM (1/2 PO) - 13 X 1.25 LG	★	1
36	CAPUCHON DE CONNECTION (NON ILLUSTRÉ)	★	3
37	COURROIE B67	BT022001AV	1
38	VIS À TÔLE 6,4 MM (1/4 PO) -20	★	1
39	RACCORD DE RÉDUCTION	ST071428AV	1
★	ARTICLE DISPONIBLE CHEZ VOTRE QUINCAILLERIE LOCALE		

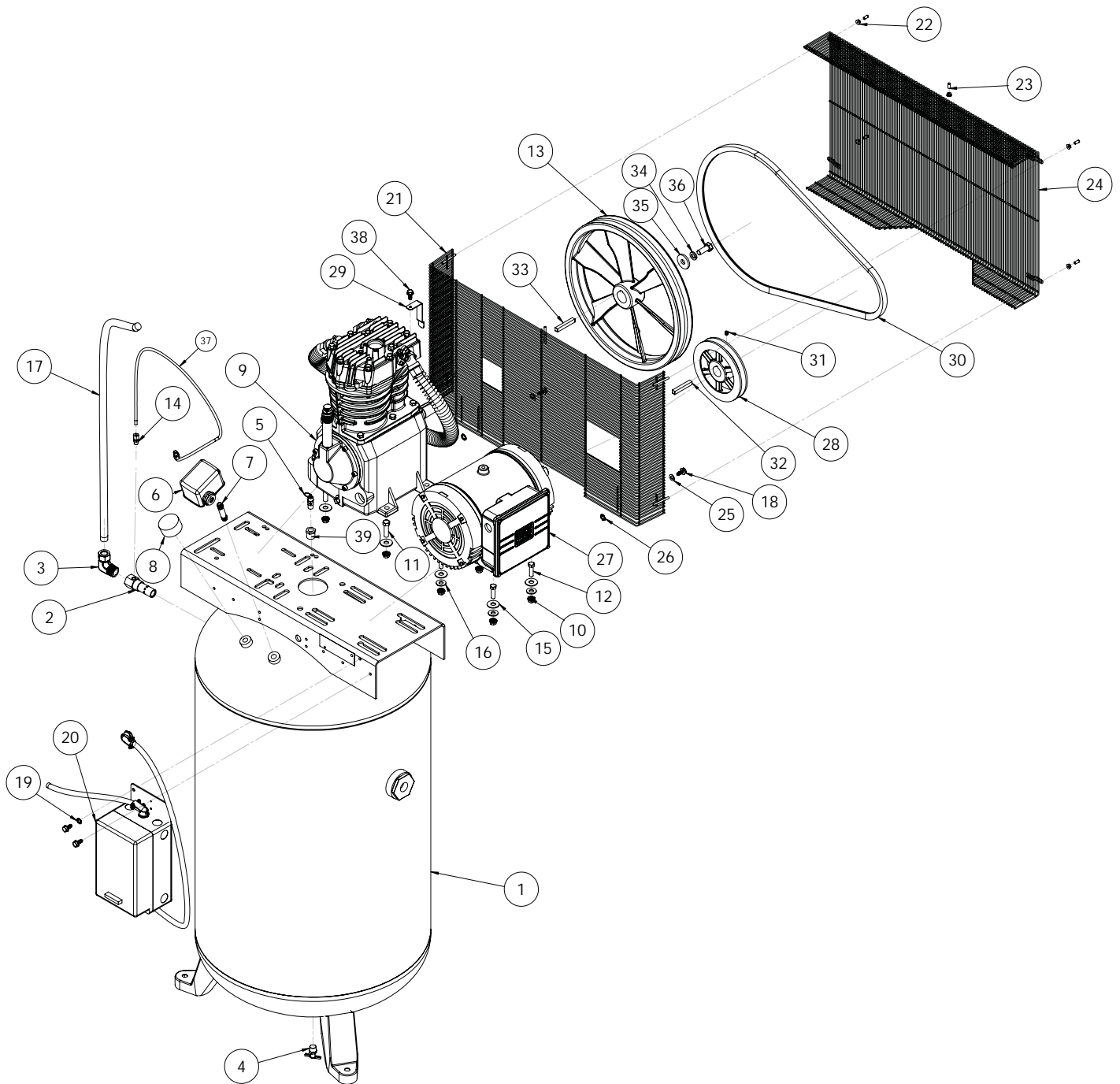
Pour pièces de rechange ou assistance technique, appeler 1-855-504-5678

S'il vous plaît fournir l'information suivante :

- Numéro de Modèle
- Numéro de série (si présent)
- Description et numéro de la pièce

Adresser toute correspondance à :

Campbell Hausfeld
Attn: Customer Service
100 Production Drive
Harrison, OH 45030 U.S.A.



LISTE DE PIÈCES DE RECHANGE

NO. DE REF.	DESCRIPTION	CE705101	QTÉ.
1	RÉSERVOIR	TF006607CG	1
2	CLAPET	CV003205AV	1
3	COUDE POUR TUYAU 6,3 MM (3/4 PO) NPT	ST072231AV	1
4	ROBINET DE VIDANGE, 9,5 MM (3/8 PO) NPT	ST127700AV	1
5	SOUPAPE DE SÛRETÉ 200PSI	V-215200AV	1
6	MANOSTAT	CW207561AV	1
7	MAMELON DE TUYAU, 6,4 MM (1/4 PO) - 18 X 2-3/4 PO	ST070387AV	1
8	MANOMÈTRE, 6,4 MM (1/4 PO) NPT, 2069 KPA	GA031901AV	1
9	POMPE	TF2101 (CI050000)	1
10	ÉCROU 9,5 MM (3/8 PO) - 16	★	8
11	VIS À TÊTE HEXAG. DE 11,1 MM (7/16 PO) - 14 1.5	★	4
12	VIS À TÊTE HEXAG. DE 9,5 MM (3/8 PO) - 16 1.25	★	4
13	VOLANT	PU016701AJ	1
14	RACCORD DE COMPRESSION	ST011701AV	1
15	RONDELLE 11,1 MM (7/16 PO)	★	4
16	RONDELLE 9,5 MM (3/8 PO)	★	7
17	TUBE EN CUIVRE 6,3 MM (3/4 PO)	TF061500AP	1
18	VIS AUTO-TARAUDEUSE 7,9 MM (5/16 PO) - 12	★	5
19	RONDELLE RESSORT DENTÉE EXTERNE	★	1
20A	DÉMARREUR AVEC DES RADIATEURS 208-230V	ST122003AJ	1
20B	DÉMARREUR AVEC DES RADIATEURS 460V (EN OPTION)	ST122004AJ	1
21	CARTER DE COURROIE (ARRIÈRE)	BG217100AV	1
22	ÉCROU 10-24	ST116201AV	5
23	CHAPEAU DE SÛRETÉ	ST075400AV	5
24	CARTER DE COURROIE AVANT	BG217000AV	1
25	RONDELLE 7,9 MM (5/16 PO)	★	2
26	RONDELLE RESSORT DENTÉE EXTERNE	★	2
27	MOTEUR	MC033500SJ	1
28	POMPE	PU008003AV	1
29	SUPPORT DE CARTER DE COURROIE	TF063400AV	1
30	COURROIE B67	BT022001AV	1
31	VIS DE PRESSION	★	2
32	CLÉ	KE001304AV	1
33	CLÉ DE VOLANT MOTEUR	KE001310AV	1
34	RONDELLE DE BLOCAGE	★	1
35	RONDELLE	TX034600AV	1
36	VIS D'ASSEMBLAGE HEXAGONALE 12,7 MM (1/2 PO) - 13 X 1.25 LG	ST070603AV	1
37	TUBE EN CUIVRE 6,4 MM (1/4 PO) NPT	TF063500AP	1
38	VIS À TÔLE 6,4 MM (1/4 PO) - 20	★	1
39	RACCORD DE RÉDUCTION	ST071428AV	1
40	CAPUCHON DE CONNECTION (NON ILLUSTRÉ)	ST073008AV	3
★	ARTICLE DISPONIBLE CHEZ VOTRE QUINCAILLERIE LOCALE		

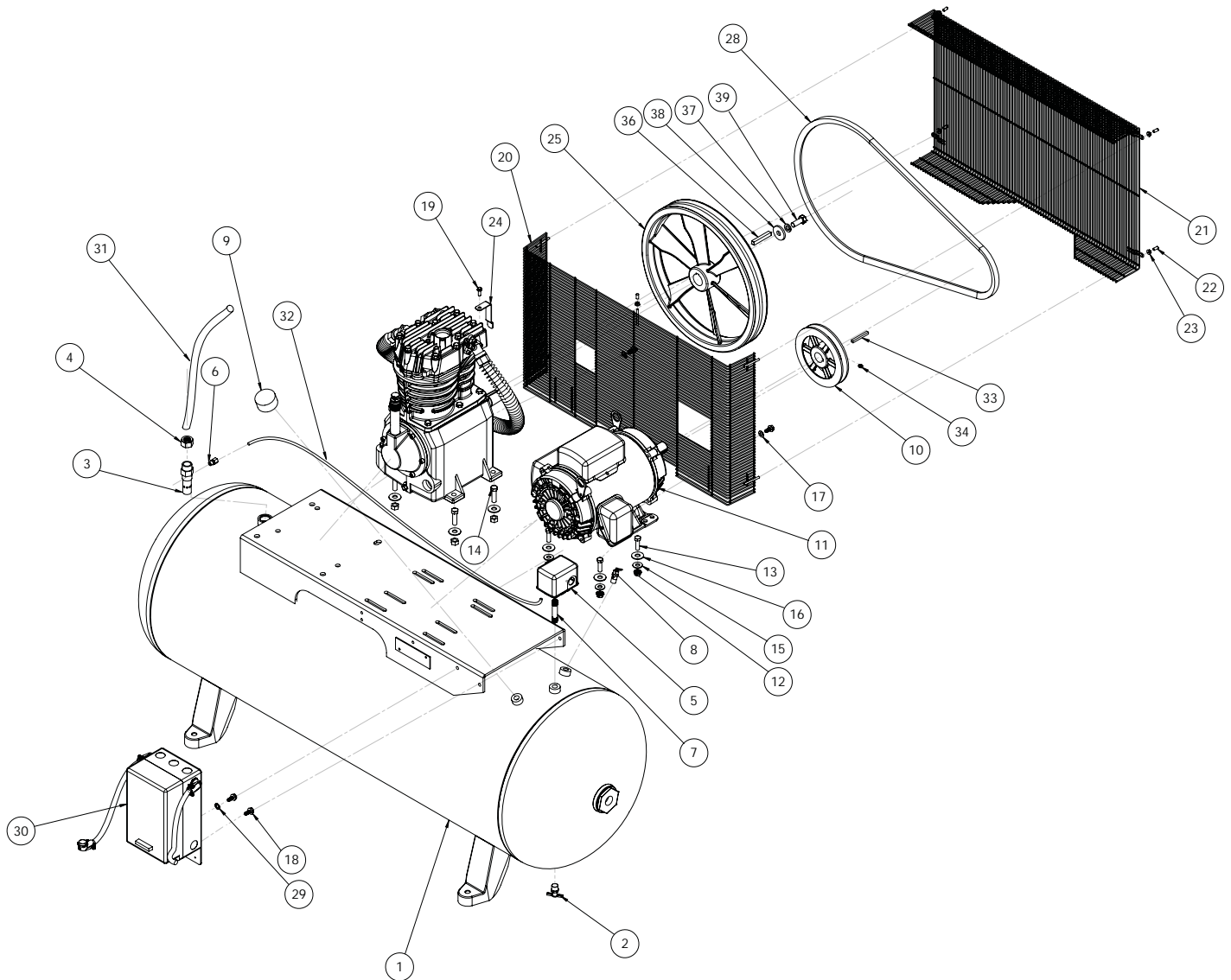
Pour pièces de rechange ou assistance technique, appeler 1-855-504-5678

S'il vous plaît fournir l'information suivante :

- Numéro de Modèle
- Numéro de série (si présent)
- Description et numéro de la pièce

Adresser toute correspondance à :

Campbell Hausfeld
Attn: Customer Service
100 Production Drive
Harrison, OH 45030 U.S.A.



LISTE DE PIÈCES DE RECHANGE

NO. DE REF.	DESCRIPTION	CE705201	QTÉ.
1	RÉSERVOIR	TF003603CG	1
2	ROBINET DE VIDANGE, 9,5 MM (3/8 PO) NPT	ST127700AV	1
3	CLAPET	CV003404AV	1
4	ÉCROU DE COMPRESSION	ST072321AV	1
5	MANOSTAT	CW207561AV	1
6	RACCORD DE COMPRESSION 6,4 MM (1/4 PO)	ST011701AV	2
7	MAMELON DE TUYAU, 6,4 MM (1/4 PO) - 18 X 2-3/4 PO	ST070387AV	1
8	SOUPAPE DE SÛRETÉ 200PSI	V-215200AV	1
9	MANOMÈTRE, 6,4 MM (1/4 PO) NPT, 2069 KPA	GA031901AV	1
10	POMPE	PU008003AV	1
11	MOTEUR	MC022393IP	1
12	ÉCROU 9,5 MM (3/8 PO) -16	★	4
13	VIS À TÊTE HEXAG. DE 9,5 MM (3/8 PO) - 16 1.25	★	4
14	VIS À TÊTE HEXAG. DE 11,1 MM (7/16 PO)- 14 1.5	★	4
15	RONDELLE 9,5 MM (3/8 PO)	★	4
16	RONDELLE 11,1 MM (7/16 PO)	★	8
17	RONDELLE 7,9 MM (5/16 PO)	★	2
18	VIS AUTO-TARAUDEUSE 7,9 MM (5/16 PO) - 12	★	4
19	VIS À TÔLE 6,4 MM (1/4 PO) - 20	★	1
20	CARTER DE COURROIE (ARRIÈRE)	BG217100AV	1
21	CARTER DE COURROIE AVANT	BG217000AV	1
22	CHAPEAU DE SÛRETÉ	ST075400AV	5
23	ÉCROU 10-24	★	5
24	SUPPORT DE CARTER DE COURROIE	TF063400AV	1
25	VOLANT	PU016701AJ	1
26	POMPE	TF2101 (CI050000)	1
27	ÉCROU HEXAGONAL 11,1 MM (7/16 PO) - 14	★	4
28	COURROIE B67	BT022001AV	1
29	RONDELLE RESSORT DENTÉE EXTERNE	★	2
30	DÉMARREUR AVEC DES RADIATEURS	ST122001AJ	2
31	TUBE EN CUIVRE 19,1 MM (3/4 PO) NPT	CE001400AP	1
32	TUBE EN CUIVRE 6,4 MM (1/4 PO) NPT	TF063501AP	1
33	CLÉ	KE001304AV	1
34	VIS DE PRESSION 7,9 MM (5/16 PO) - 18	★	1
35	CLÉ DE VOLANT MOTEUR	KE001310AV	1
36	RONDELLE DE BLOCAGE	★	1
37	CAPUCHON DE CONNECTION (NON ILLUSTRÉ)	ST073008AV	1
38	RONDELLE	★	1
39	VIS D'ASSEMBLAGE HEXAGONALE 12,7 MM (1/2 PO) - 13 X 1.25 LG	★	1
★	ARTICLE DISPONIBLE CHEZ VOTRE QUINCAILLERIE LOCALE		

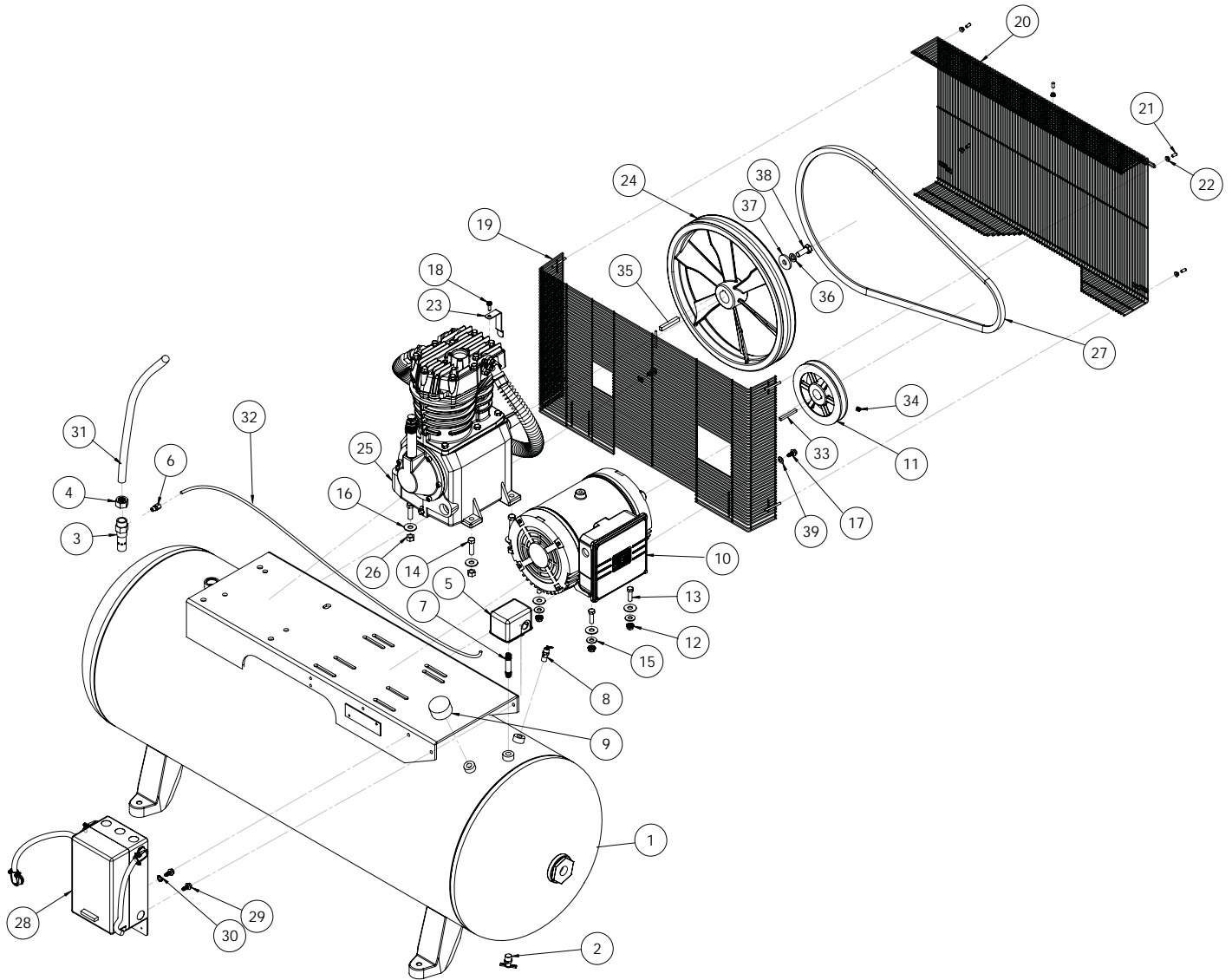
Pour pièces de rechange ou assistance technique, appeler 1-855-504-5678

S'il vous plaît fournir l'information suivante :

- Numéro de Modèle
- Numéro de série (si présent)
- Description et numéro de la pièce

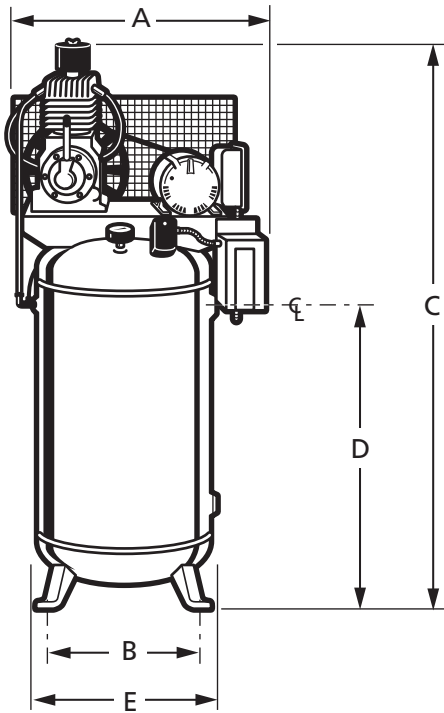
Adresser toute correspondance à :

Campbell Hausfeld
Attn: Customer Service
100 Production Drive
Harrison, OH 45030 U.S.A.

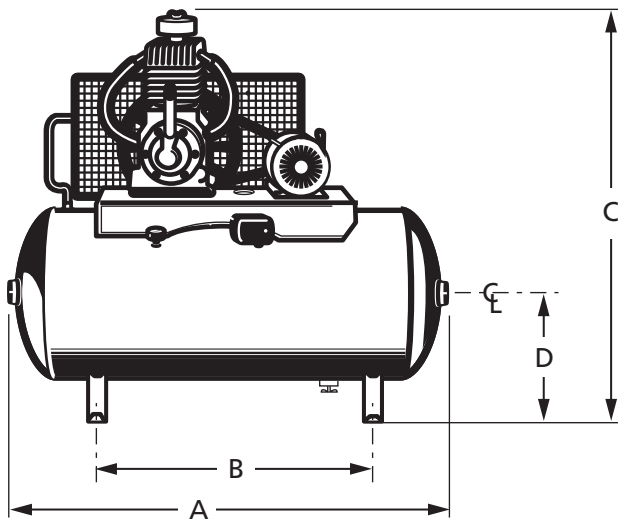


LISTE DE PIÈCES DE RECHANGE

NO. DE REF.	DESCRIPTION	CE705301	QTÉ.
1	RÉSERVOIR	TF003603CG	1
2	ROBINET DE VIDANGE, 9,5 MM (3/8 PO) NPT	ST127700AV	1
3	CLAPET	CV003404AV	1
4	COUDE POUR TUYAU 19,1 MM (3/4 PO) NPT	ST072321AV	1
5	MANOSTAT	CW207561AV	1
6	RACCORD DE COMPRESSION 6,4 MM (1/4 PO)	ST011701AV	1
7	MAMELON DE TUYAU, 6,4 MM (1/4 PO) - 18 X 2-3/4 PO	ST070387AV	1
8	SOUPAPE DE SÛRETÉ 200PSI	V-215200AV	1
9	MANOMÈTRE, 6,4 MM (1/4 PO) NPT, 2069 KPA	GA031901AV	1
10	MOTEUR	MC033500SJ	1
11	POMPE	PU008003AV	1
12	ÉCROU 9,5 MM (3/8 PO) - 16	★	4
13	VIS À TÊTE HEXAG. DE 9,5 MM (3/8 PO) - 16 1.25	★	4
14	VIS À TÊTE HEXAG. DE 11,1 MM (7/16 PO) - 14 1.5	★	4
15	RONDELLE 9,5 MM (3/8 PO)	★	4
16	RONDELLE 11,1 MM (7/16 PO)	★	8
17	VIS AUTO-TARAUDEUSE 7,9 MM (5/16 PO) - 12	★	4
18	VIS AUTO-TARAUDEUSE 6,4 MM (1/4 PO) - 20	★	1
19	CARTER DE COURROIE (ARRIÈRE)	BG217100AV	1
20	CARTER DE COURROIE AVANT	BG217000AV	1
21	CHAPEAU DE SÛRETÉ	ST075400AV	5
22	ÉCROU 10-24	★	5
23	SUPPORT DE CARTER DE COURROIE	TF063400AV	1
24	VOLANT	PU016701AV	1
25	POMPE	TF2101 (CI050000)	1
26	ÉCROU HEXAGONAL 11,1 MM (7/16 PO) -14	★	4
27	COURROIE B67	BT022001AV	1
28A	DÉMARREUR AVEC DES RADIATEURS 208-230V	ST122003AJ	1
28B	DÉMARREUR AVEC DES RADIATEURS 460V (EN OPTION)	ST122004AJ	1
29	RONDELLE DE BLOCAGE 7,9 MM (5/16 PO) -18	★	2
30	RONDELLE DE BLOCAGE	★	1
31	TUBE EN CUIVRE 19,1 MM (3/4 PO) NPT	TF062200AP	1
32	TUBE EN CUIVRE 6,4 MM (1/4 PO) NPT	TF063501AP	1
33	CLÉ	KE001304AV	1
34	VIS DE PRESSION 7,9 MM (5/16 PO) -18	★	1
35	CLÉ DE VOLANT MOTEUR	KE001310AV	1
36	RONDELLE DE BLOCAGE	★	1
37	RONDELLE	TX034600AV	1
38	VIS D'ASSEMBLAGE HEXAGONALE 12,7 MM (1/2 PO) - 13 X 1.25 LG	★	1
39	RONDELLE 7,9 MM (5/16 PO)	★	2
40	CAPUCHON DE CONNECTION (NON ILLUSTRÉ)	ST073008AV	3
★	ARTICLE DISPONIBLE CHEZ VOTRE QUINCAILLERIE LOCALE		



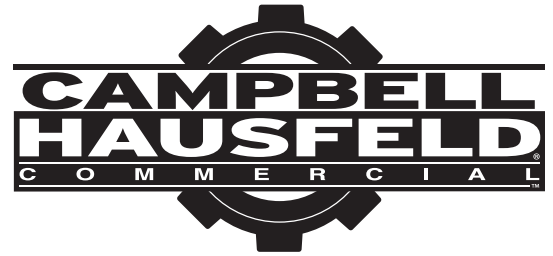
Ref.	Article	Dim.
A	Largeur totale	82,6 cm
B	Largeur de boulonnage (120° apart)	68,6 cm
C	Hauteur totale	190,5 cm
D	Sortie du réservoir à la terre	101,6 cm
E	Profondeur totale	64,8 cm



Ref.	Article	Dim.
A	Largeur totale	162,6 cm
B	Largeur de boulonnage	101,6 cm
C	Hauteur totale	124,5 cm
D	Sortie du réservoir à la terre	35,6 cm
E	△ Profondeur de boulonnage	45,7 cm
F	△ Profondeur totale	52,1 cm

△ Pas indiquée

Compresor de Aire Estacionario de 2 Etapas



MODELOS: CE700001, CE700101, CE700501, CE700601, CE705001, CE705101, CE705201, CE705301



Especificaciones

Modelo	CP del Motor	Presión de Salida	Desplazamiento m ³ /min.	Suministro m ³ /min.	Presión Max.	RPM del Cabezal	Peso de la Unidad	Fase
CE700001, CE700501	7,5	12,07 bar	0,89	0,71	12,07 bar	1020	245 Kg	1
CE700101, CE700601	7,5	12,07 bar	0,89	0,71	12,07 bar	1020	245 Kg	3
CE705001, CE705201	5,0	12,07 bar	0,60	0,50	12,07 bar	700	232 Kg	1
CE705101, CE705301	5,0	12,07 bar	0,60	0,50	12,07 bar	700	232 Kg	3

Sírvase registrar el N° de modelo y el N° de serie para usarlos cuando se ponga en contacto con el fabricante:

N° de modelo: _____

N° de serie: _____

Fecha de compra: _____

Lugar de compra: _____

Para mayor información sobre este producto, comuníquese con el distribuidor de Campbell Hausfeld más cercano a su domicilio.

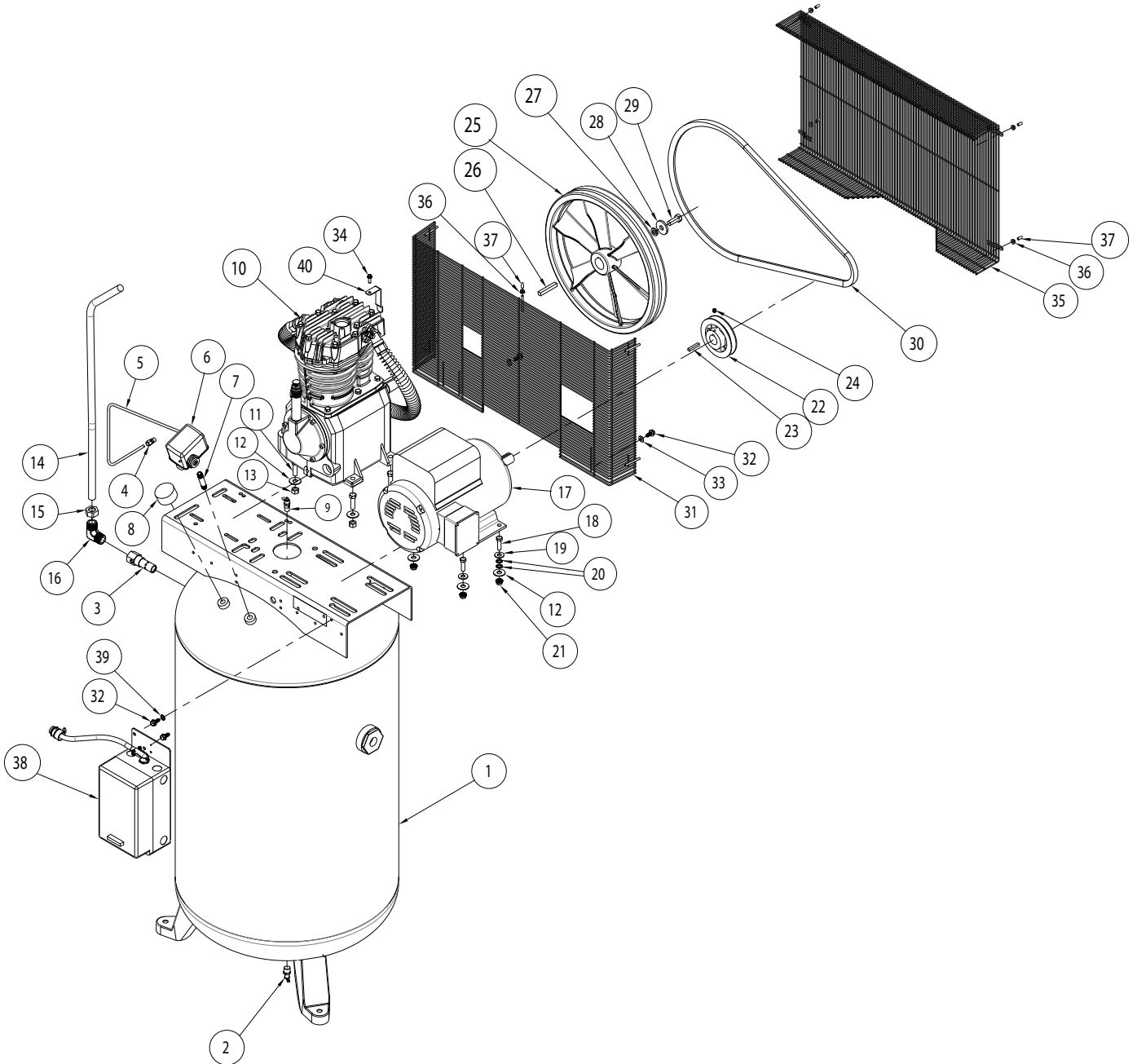
Para Ordenar Repuestos o Asistencia Técnica, Sírvase Llamar al Distribuidor Más Cercano a Su Domicilio

Sírvase darnos la siguiente información:

- Número del modelo
- Código impreso (si correspondiera)
- Descripción y número del repuesto según la lista de repuestos

Dirija toda la correspondencia a:

Campbell Hausfeld
Attn: Customer Service
100 Production Drive
Harrison, OH 45030 U.S.A.



LISTA DE PIEZAS DE REPUESTO

NO. DE REF.	DESCRIPCIÓN	CE700001	CTD.
1	TANQUE	TF006607CG	1
2	LLAVE DE DRENAJE DE 9,5 MM (3/8 PULG)	ST127700AV	1
3	VÁLVULA DE CHEQUEO	CV003205AV	1
4	CONEXIÓN DE COMPRESIÓN	ST011701AV	1
5	TUBO DE DESCARGA	TF063500AP	1
6	PRESOSTATO	CW207561AV	1
7	NIPLE DE LA TUBERÍA DE 6,4 MM (1/4 PULG) -18 X 2 3/4 PULG	ST070387AV	1
8	MANÓMETRO DE 6,4 MM (1/4 PULG) 300 BAR	GA031901AV	1
9	VÁLVULA DE SEGURIDAD	V-215200AV	1
10	BOMBA	TF2111 (CI070000)	1
11	TORNILLO DE CAB. HEX. 11,1 MM (7/16 PULG) - 14 1.5	★	4
12	ARANDELA DE 11,1 MM (7/16 PULG)	★	8
13	TUERCA HEX DE 7,9 MM (5/16 PULG) - 14	★	4
14	TUBO DE DESCARGA	TF069000AJ	1
15	ENSAMBLAJE DE TUERCA DE COMPRESIÓN DE 19,1 MM (3/4 PULG) & CASQUILLO	ST072321AV	1
16	CODO PARA TUBO DE 19,1 MM (3/4 PULG)	ST072231AV	1
17	MOTOR	MC025100AV	1
18	TORNILLO DE CAB. HEX. 9,5 MM (3/8 PULG) - 16 1.25	★	4
19	ARANDELA DE 9,5 MM (3/8 PULG)	★	4
20	RONDANA DE SEGURIDAD DE DIENTES EXTERIORES	★	2
21	TUERCA DE PESTAÑA DE 9,5 MM (3/8 PULG) - 18 3/8-16	★	4
22	POLEA 4.6 X 1.125	PU009750AV	1
23	LLAVE 6,4 MM (1/4 PULG) X 1.5 LG	KE001304AV	1
24	TORNILLO FIJADOR	★	1
25	VOLANTE	PU016701AJ	1
26	LLAVE DEL VOLANTE	KE001310AV	1
27	ARANDELA DE 12,7 MM (1/2 PULG)	★	1
28	ARANDELAS DE PRESIÓN 12,7 MM (1/2 PULG)	★	1
29	TORNILLO DE CAB. HEX. DE 12,7MM (1/2 PULG) - 13 1.25	★	1
30	CORREA BX-66	BT008501AV	1
31	PROTECTOR POSTERIOR DE CORREA	BG217100AV	1
32	TORNILLO AUTO ROSCADO CON CABEZA HEXAGONAL PLANA DE 7,9 MM (5/16 PULG) - 12	★	4
33	ARANDELA DE 7,9 MM (5/16 PULG)	★	2
34	TORNILLO AUTOROSCANTE DE 6,4 MM (1/4 PULG) - 20	★	1
35	PROTECTOR FRONTAL DE CORREA	BG217000AV	1
36	TUERCA DE REBORDES 10-24	★	5
37	TAPA DE SEGURIDAD	ST075400AV	5
38	ARRANQUE CON CALENTADORES	ST122010AJ	1
39	RONDANA DE SEGURIDAD DE DIENTES EXTERIORES DE 7,9 MM (5/16 PULG)	★	1
40	SOPORTE DE PROTECTOR DE CORREA	TF063400AV	1
★	ARTÍCULO DISPONIBLE EN FERRETERÍAS LOCALES		

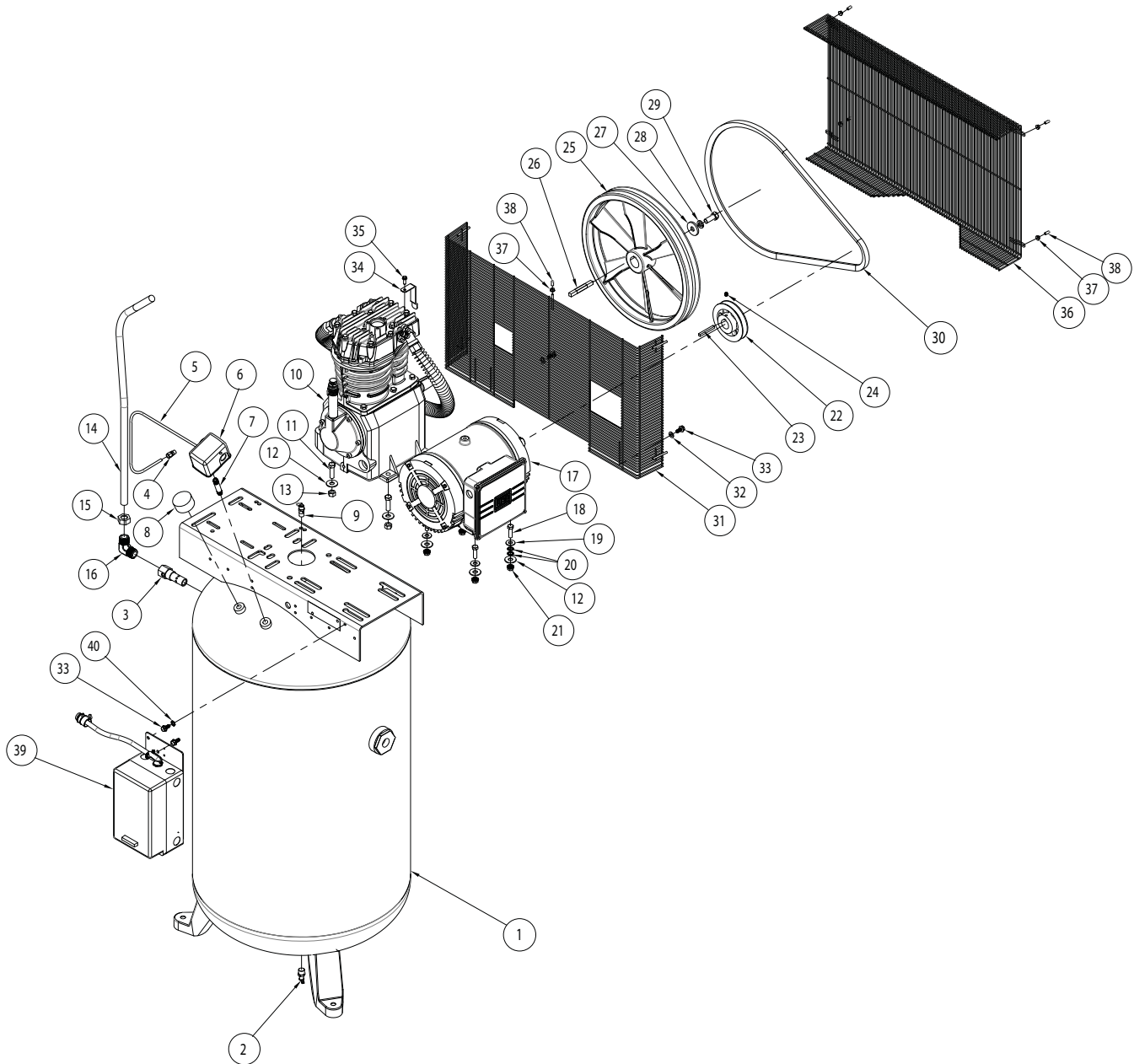
Para Ordenar Repuestos o Asistencia Técnica, Sírvase Llamar al Distribuidor Más Cercano a Su Domicilio

Sírvase darnos la siguiente información:

- Número del modelo
- Código impreso (si correspondiera)
- Descripción y número del repuesto según la lista de repuestos

Dirija toda la correspondencia a:

Campbell Hausfeld
Attn: Customer Service
100 Production Drive
Harrison, OH 45030 U.S.A.



LISTA DE PIEZAS DE REPUESTO

NO. DE REF.	DESCRIPCIÓN	CE700101	CTD.
1	TANQUE	TF006607CG	1
2	LLAVE DE DRENAJE DE 9,5 MM (3/8 PULG)	ST127700AV	1
3	VÁLVULA DE CHEQUEO	CV003205AV	1
4	CONEXIÓN DE COMPRESIÓN	ST011701AV	1
5	TUBO DE DESCARGA	TF063500AP	1
6	PRESOSTATO	CW207561AV	1
7	NIPLE DE LA TUBERÍA DE 6,4 MM (1/4 PULG) -18 X 2 3/4 PULG	ST070387AV	1
8	MANÓMETRO DE 6,4 MM (1/4 PULG) 300 BAR	GA031901AV	1
9	VÁLVULA DE SEGURIDAD	V-215200AV	1
10	BOMBA	TF2111 (CI070000)	1
11	TORNILLO DE CAB. HEX. 7/6 PULG - 14 1.5	★	4
12	ARANDELA DE 11,1 MM (7/16 PULG)	★	8
13	TUERCA HEX DE 11,1 MM (7/16 PULG) - 14	★	4
14	TUBO DE DESCARGA	TF069000AJ	1
15	ENSAMBLAJE DE TUERCA DE COMPRESIÓN DE 19,1 MM (3/4 PULG) & CASQUILLO	ST072321AV	1
16	CODO PARA TUBO DE 19,1 MM (3/4 PULG)	ST072231AV	1
17	MOTOR	MC033600SJ	1
18	TORNILLO DE CAB. HEX. 9,5 MM (3/8 PULG) - 16 1.25	★	4
19	ARANDELA DE 9,5 MM (3/8 PULG)	★	4
20	RONDANA DE SEGURIDAD DE DIENTES EXTERIORES	★	2
21	TUERCA DE PESTAÑA DE 9,5 MM (3/8 PULG) - 18 3/8-16	★	4
22	POLEA 4.6 X 1.125	PU009750AV	1
23	LLAVE 6,4 MM (1/4 PULG) X 1.5 LG	★	1
24	TORNILLO FIJADOR	★	1
25	VOLANTE	PU016700AJ	1
26	LLAVE DEL VOLANTE	KE001310AV	1
27	ARANDELA DE 12,7 MM (1/2 PULG)	★	1
28	ARANDELAS DE PRESIÓN 12,7 MM (1/2 PULG)	★	1
29	TORNILLO DE CAB. HEX. DE 12,7MM (1/2 PULG) - 13 1.25	★	1
30	CORREA BX-66	BT008501AV	1
31	PROTECTOR POSTERIOR DE CORREA	BG217100AV	1
32	ARANDELA DE 7,9 MM (5/16 PULG)	★	2
33	TORNILLO AUTO ROSCADO CON CABEZA HEXAGONAL PLANA DE 7,9 MM (5/16 PULG) - 12	★	4
34	SOPORTE DE PROTECTOR DE CORREA	TF063400AV	1
35	TORNILLO AUTOROSCANTE DE 6,4 MM (1/4 PULG) - 20	★	1
36	PROTECTOR FRONTAL DE CORREA	BG217000AV	1
37	TUERCA DE REBORDES 10-24	★	5
38	TAPA DE SEGURIDAD	ST075400AV	5
39A	ARRANQUE CON CALENTADORES 208-230V	ST122011AJ	1
39B	ARRANQUE CON CALENTADORES 460V (OPCIONAL)	ST122012AJ	1
40	RONDANA DE SEGURIDAD DE DIENTES EXTERIORES DE 7,9 MM (5/16 PULG)	ST146800AV	1
★	ARTÍCULO DISPONIBLE EN FERRETERÍAS LOCALES		

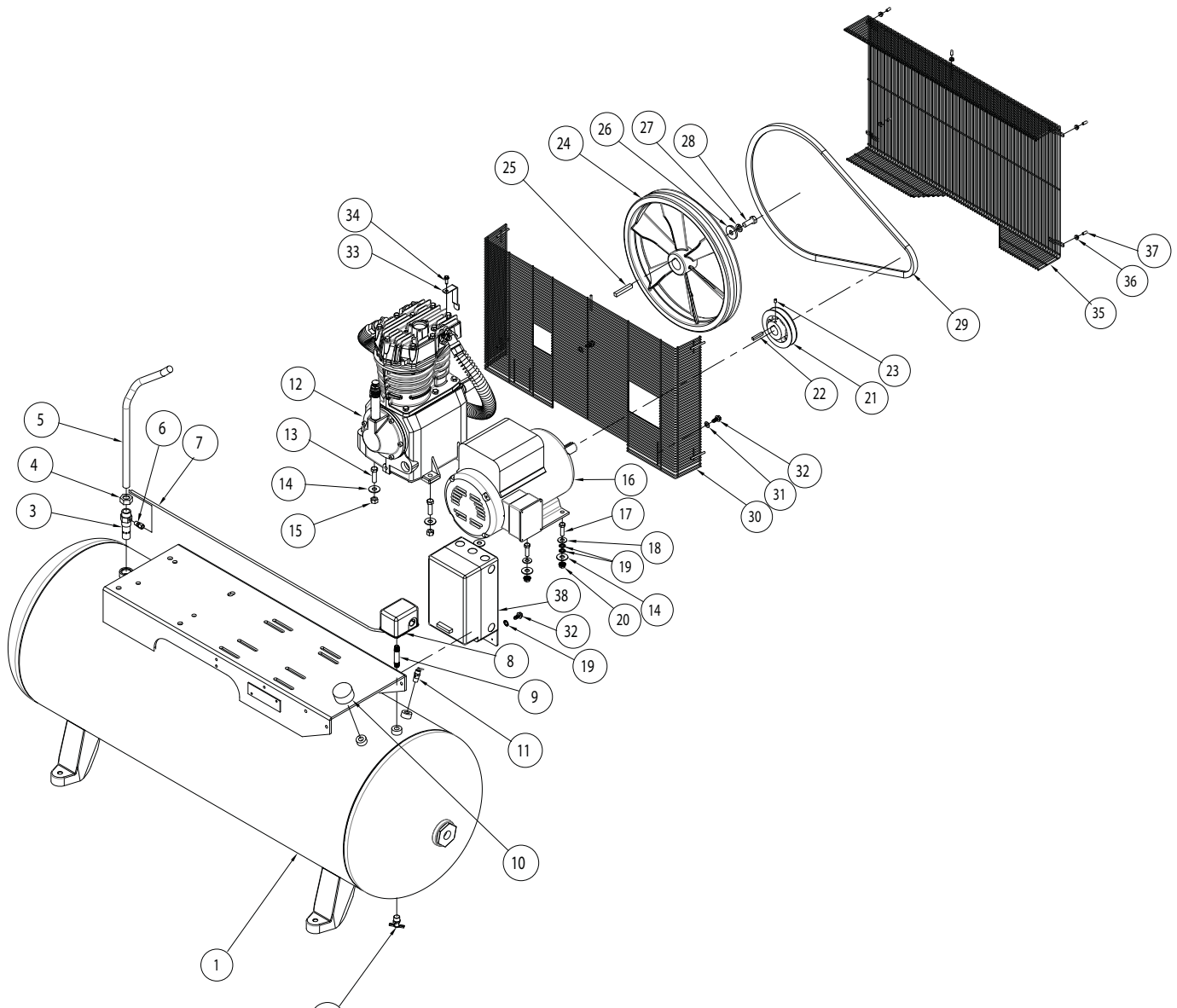
Para Ordenar Repuestos o Asistencia Técnica, Sírvase Llamar al Distribuidor Más Cercano a Su Domicilio

Sírvase darnos la siguiente información:

- Número del modelo
- Código impreso (si correspondiera)
- Descripción y número del repuesto según la lista de repuestos

Dirija toda la correspondencia a:

Campbell Hausfeld
Attn: Customer Service
100 Production Drive
Harrison, OH 45030 U.S.A.



LISTA DE PIEZAS DE REPUESTO

NO. DE REF.	DESCRIPTION	CE700501	CTD.
1	TANQUE	TF003603CG	1
2	LLAVE DE DRENAJE DE 9,5 MM (3/8 PULG)	ST127700AV	1
3	VÁLVULA DE CHEQUEO	CV003404AV	1
4	ENSAMBLAJE DE TUERCA DE COMPRESIÓN DE 19,1 MM (3/4 PULG) & CASQUILLO	ST072321AV	1
5	TUBO DE ESCAPE	TF062200AP	1
6	CONEXIÓN DE COMPRESIÓN	ST011701AV	1
7	TUBO DE DESCARGA	TF063501AP	1
8	PRESOSTATO	CW207561AV	1
9	NIPLE DE LA TUBERÍA DE 6,4 MM (1/4 PULG) -18 X 2 3/4 INCH	ST070387AV	1
10	MANÓMETRO DE 6,4 MM (1/4 PULG) 300 BAR	GA031901AV	1
11	VÁLVULA DE SEGURIDAD	V-215200AV	1
12	BOMBA	TF2101 (CI050000)	1
13	TORNILLO DE CAB. HEX. 11,1 MM (7/16 PULG) - 14 1.5	★	4
14	ARANDELA DE 11,1 MM (7/16 PULG)	★	8
15	TUERCA HEX DE 11,1 MM (7/16 PULG) - 14	★	4
16	MOTOR	MC025100AV	1
17	TORNILLO DE CAB. HEX. 9,5 MM (3/8 PULG) - 16 1.25	★	4
18	ARANDELA DE 9,5 MM (3/8 PULG)	★	4
19	RONDANA DE SEGURIDAD DE DIENTES EXTERIORES 9,5 MM (3/8 PULG)	★	3
20	TUERCA DE PESTAÑA DE 9,5 MM (3/8 PULG) - 18 3/8-16	★	4
21	POLEA 4.6 X 1.125	PU009750AV	1
22	LLAVE 6,4 MM (1/4 PULG) X 1.5 LG	KE001304AV	1
23	TORNILLO FIJADOR	★	1
24	VOLANTE	PU016701SJ	1
25	LLAVE DEL VOLANTE	KE001310AV	1
26	ARANDELA	TX034600AV	1
27	ARANDELA DE 12,7 MM (1/2 PULG)	★	1
28	TORNILLO DE CAB. HEX. DE 12,7MM (1/2 PULG) - 13 1.25	★	1
29	CORREA BX-66	BT008501AV	1
30	PROTECTOR POSTERIOR DE CORREA	BG217100AV	1
31	ARANDELA DE 7,9 MM (5/16 PULG)	★	2
32	TORNILLO AUTO ROSCADO CON CABEZA HEXAGONAL PLANA DE 7,9 MM (5/16 PULG) - 12	★	4
33	SOPORTE DE PROTECTOR DE CORREA	TF063400AV	1
34	TORNILLO AUTOROSCANTE DE 6,4 MM (1/4 PULG) - 20	★	1
35	PROTECTOR FRONTAL DE CORREA	BG217000AV	1
36	TUERCA DE REBORDES 10-24	★	5
37	TAPA DE SEGURIDAD	ST075400AV	5
38	ARRANQUE CON CALENTADORES	ST122010AJ	1
★	ARTÍCULO DISPONIBLE EN FERRETERÍAS LOCALES		

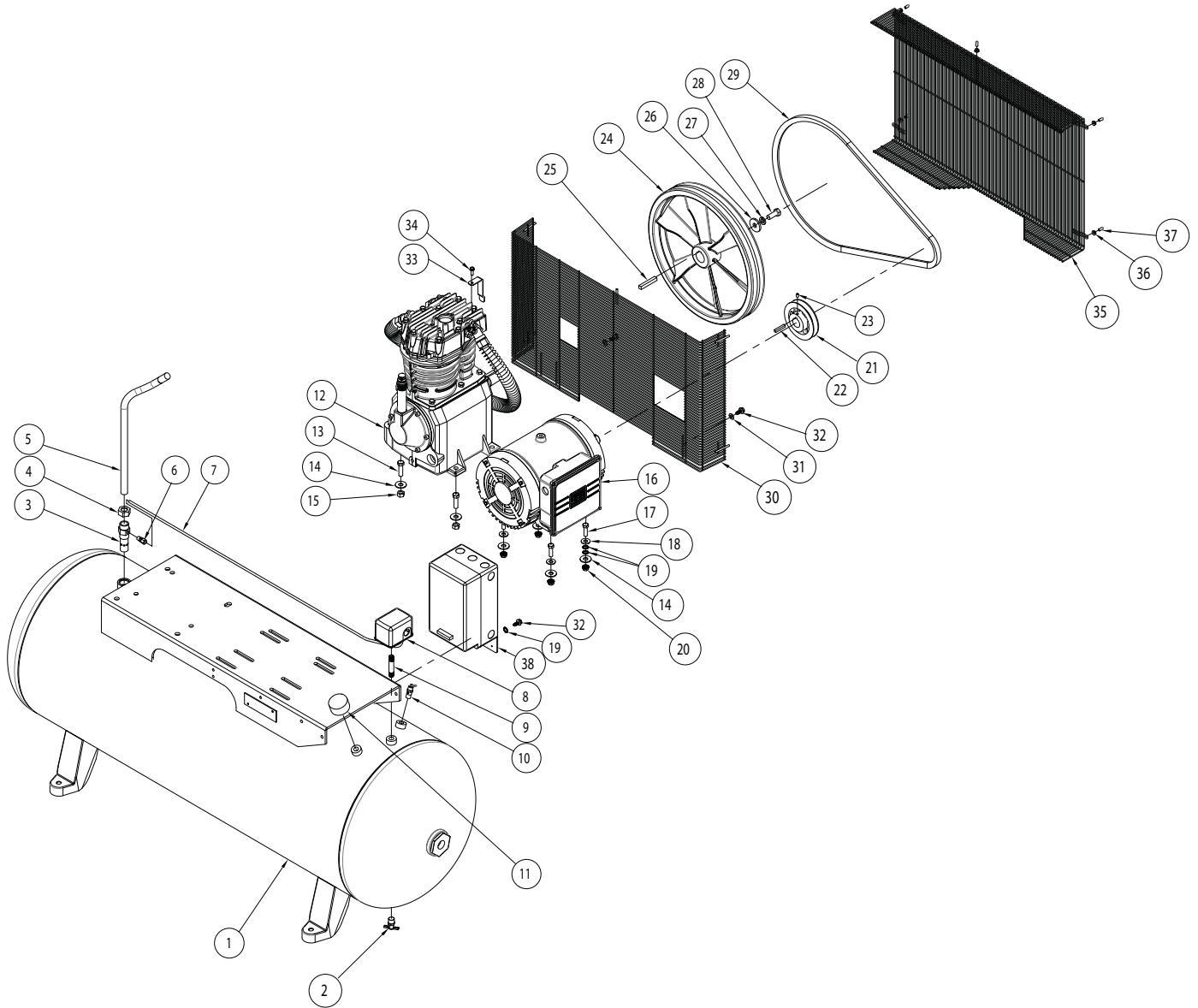
Para Ordenar Repuestos o Asistencia Técnica, Sírvase Llamar al Distribuidor Más Cercano a Su Domicilio

Sírvase darnos la siguiente información:

- Número del modelo
- Código impreso (si correspondiera)
- Descripción y número del repuesto según la lista de repuestos

Dirija toda la correspondencia a:

Campbell Hausfeld
Attn: Customer Service
100 Production Drive
Harrison, OH 45030 U.S.A.



LISTA DE PIEZAS DE REPUESTO

NO. DE REF.	DESCRIPCIÓN	CE700601	CTD.
1	TANQUE	TF003603CG	1
2	LLAVE DE DRENAJE DE 9,5 MM (3/8 PULG)	ST0127700AV	1
3	VÁLVULA DE CHEQUEO	CV003404AV	1
4	COMPRESSION NUT W/ CAPTIVE FERRULE 19,1 MM (3/4 PULG)	ST072321AV	1
5	TUBO DE ESCAPE	TF062200AP	1
6	CONEXIÓN DE COMPRESIÓN	ST011701AV	1
7	TUBO DE DESCARGA	TF063501AP	1
8	PRESOSTATO	CW207561AV	1
9	NIPLE DE LA TUBERÍA DE 6,4 MM (1/4 PULG) -18 X 2 3/4 PULG	ST070387AV	1
10	VÁLVULA DE SEGURIDAD 200 BAR	V-215200AV	1
11	MANÓMETRO DE 6,4 MM (1/4 PULG) 300 BAR	GA031901AV	1
12	BOMBA	TF2111 (CI070000)	1
13	TORNILLO DE CAB. HEX. 11,1 MM (7/16 PULG) - 14 1.5	★	4
14	ARANDELA DE 11,1 MM (7/16 PULG)	★	8
15	TUERCA HEX DE 11,1 MM (7/16 PULG) - 14	★	4
16	MOTOR	MC033600SJ	1
17	TORNILLO DE CAB. HEX. 9,5 MM (3/8 PULG) - 16 1.25	★	4
18	ARANDELA DE 9,5 MM (3/8 PULG)	★	4
19	RONDANA DE SEGURIDAD DE DIENTES EXTERIORES	★	3
20	TUERCA DE PESTAÑA DE 9,5 MM (3/8 PULG)	★	4
21	POLEA 4.6 X 1.125	PU009750AV	1
22	LLAVE 6,4 MM (1/4 PULG) X 1.5 LG	KE001304AV	1
23	TORNILLO FIJADOR	N/A	1
24	VOLANTE	PU016701AJ	1
25	LLAVE DEL VOLANTE	KE001310AV	1
26	ARANDELA	TX034600AV	1
27	ARANDELAS DE PRESIÓN 12,7 MM (1/2 PULG)	★	1
28	TORNILLO DE CAB. HEX. DE 12,7MM (1/2 PULG) - 13 1.25	★	1
29	CORREA BX-66	BT008501AV	1
30	PROTECTOR POSTERIOR DE CORREA	BG217100AV	1
31	ARANDELA DE 9,5 MM (3/8 PULG)	★	2
32	TORNILLO AUTO ROSCADO CON CABEZA HEXAGONAL PLANA DE 7,9 MM (5/16 PULG) - 12	★	4
33	SOPORTE DE PROTECTOR DE CORREA	TF063400AV	1
34	TORNILLO AUTOROSCANTE DE 6,4 MM (1/4 PULG) -20	★	1
35	PROTECTOR FRONTAL DE CORREA	BG217000AV	1
36	TUERCA DE REBORDES 10-24	★	5
37	TAPA DE SEGURIDAD	ST075400AV	5
38A	ARRANQUE CON CALENTADORES 208-230V	ST122011AJ	1
38B	ARRANQUE CON CALENTADORES 460V (OPCIONAL)	ST122012AJ	1
★	ARTÍCULO DISPONIBLE EN FERRETERÍAS LOCALES		

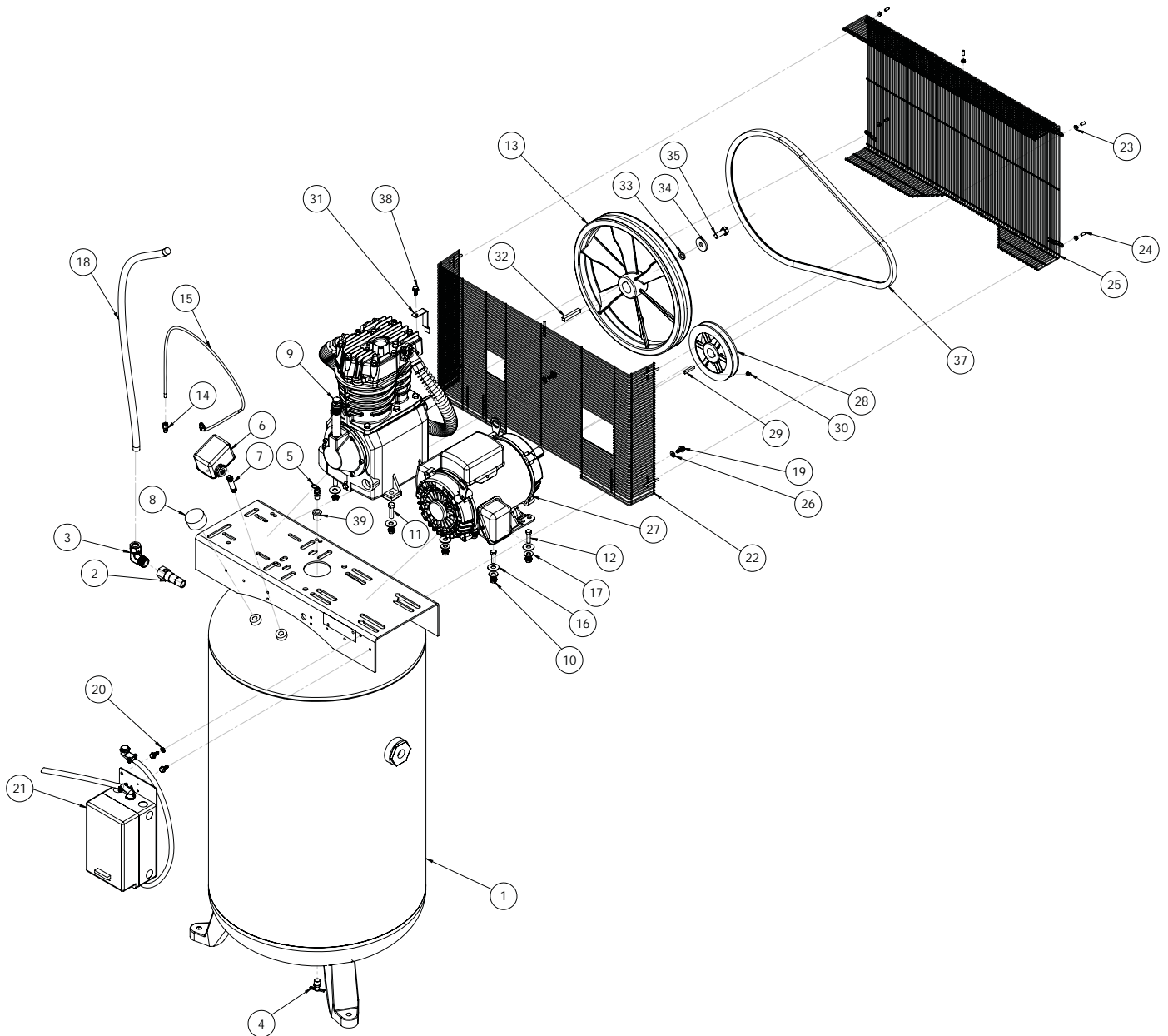
Para Ordenar Repuestos o Asistencia Técnica, Sírvase Llamar al Distribuidor Más Cercano a Su Domicilio

Sírvase darnos la siguiente información:

- Número del modelo
- Código impreso (si correspondiera)
- Descripción y número del repuesto según la lista de repuestos

Dirija toda la correspondencia a:

Campbell Hausfeld
Attn: Customer Service
100 Production Drive
Harrison, OH 45030 U.S.A.



LISTA DE PIEZAS DE REPUESTO

NO. DE REF.	DESCRIPCIÓN	CE705001	CTD.
1	TANQUE	TF006607CG	1
2	VÁLVULA DE CHEQUEO	CV003205AV	1
3	CODO PARA TUBO DE 19,1 MM (3/4 PULG)	ST072231AV	1
4	LLAVE DE DRENAJE DE 9,5 MM (3/8 PULG)	ST127700AV	1
5	VÁLVULA DE SEGURIDAD 200 BAR	V-215200AV	1
6	PRESOSTATO	CW207561AV	1
7	NIPLE DE LA TUBERÍA DE 6,4 MM (1/4 PULG) - 18 X 2 3/4 PULG	ST070387AV	1
8	MANÓMETRO DE 6,4 MM (1/4 PULG) NPT, 300 BAR	GA031901AV	1
9	BOMBA	TF2101 (CI050000)	1
10	TUERCA DE PESTAÑA DE 9,5 MM (3/8 PULG) - 16	★	8
11	TORNILLO DE CAB. HEX. 11,1 MM (7/16 PULG) - 14 1.5	★	4
12	TORNILLO DE CAB. HEX. 9,5 MM (3/8 PULG) - 16 1.25	★	4
13	VOLANTE	PU016701AJ	1
14	CONEXIÓN DE COMPRESIÓN DE 6,4 MM (1/4 PULG)	ST011701AV	1
15	TUBO DE DESCARGA 1/4 DIA	TF063500AP	1
16	ARANDELA DE 11,1 MM (7/16 PULG)	★	8
17	ARANDELA DE 9,5 MM (3/8 PULG)	★	7
18	TUBO DE DESCARGA	TF061500AP	1
19	TORNILLO AUTORROSCANTE HEXAGONAL 7,9 MM (5/16 PULG) - 12	★	4
20	ARANDELA DE DIENTES EXTERNOS DE 7,9 MM (5/16 PULG)	★	1
21	ARRANQUE CON CALENTADORES	ST122001AJ	1
22	PROTECTOR POSTERIOR DE CORREA	BG217100AV	1
23	TUERCA DE REBORDES 10-24	★	5
24	TAPA DE SEGURIDAD	ST075400AV	5
25	PROTECTOR FRONTAL DE CORREA	BG217000AV	1
26	ARANDELA DE 7,9 MM (5/16 PULG.)	★	2
27	MOTOR	MC022393IP	1
28	POLEA	PU008003AV	1
29	LLAVE 6,4 MM (1/4 PULG) X 1.5 LG	KE001304AV	1
30	TORNILLO DE FIJACIÓN 7,9 MM (5/16 PULG.) - 18	★	2
31	SOPORTE DE PROTECTOR DE CORREA	TF063400AV	1
32	LLAVE DEL VOLANTE	KE001310AV	1
33	ARANDELA DE SEGURIDAD	★	1
34	ARANDELA	★	1
35	TORNILLO DE CAB. HEX. DE 12,7MM (1/2 PULG) - 13 1.25	★	1
36	CAPUCHON DE CONECCION (NO SE MUESTRA)	★	3
37	CORREA B67	BT022001AV	1
38	TORNILLO AUTORROSCANTE DE 6,4 MM (1/4 PULG) - 20	★	1
39	ADAPTADOR REDUCTOR	ST071428AV	1
★	ARTÍCULO DISPONIBLE EN FERRETERÍAS LOCALES		

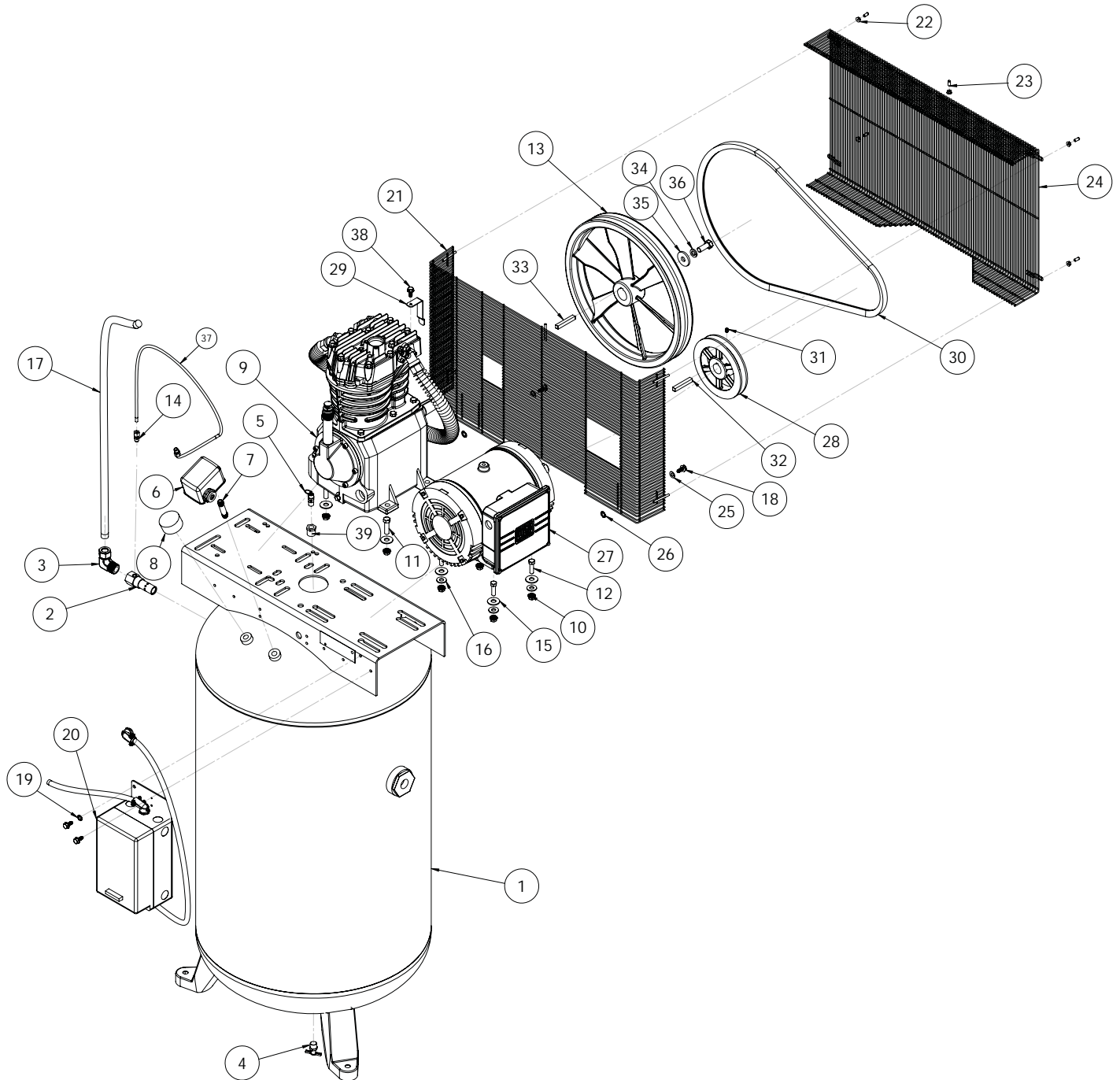
Para Ordenar Repuestos o Asistencia Técnica, Sírvase Llamar al Distribuidor Más Cercano a Su Domicilio

Sírvase darnos la siguiente información:

- Número del modelo
- Código impreso (si correspondiera)
- Descripción y número del repuesto según la lista de repuestos

Dirija toda la correspondencia a:

Campbell Hausfeld
Attn: Customer Service
100 Production Drive
Harrison, OH 45030 U.S.A.



LISTA DE PIEZAS DE REPUESTO

NO. DE REF.	DESCRIPCIÓN	CE705101	CTD.
1	TANQUE	TF006607CG	1
2	VÁLVULA DE CHEQUEO	CV003205AV	1
3	CODO PARA TUBO DE 19,1 MM (3/4 PULG)	ST072231AV	1
4	LLAVE DE DRENAJE DE 9,5 MM (3/8 PULG)	ST127700AV	1
5	VÁLVULA DE SEGURIDAD	V-215200AV	1
6	PRESOSTATO	CW207561AV	1
7	NIPLE DE LA TUBERÍA DE 6,4 MM (1/4 PULG) - 18 X 2 3/4 PULG	ST070387AV	1
8	MANÓMETRO DE 1/4 INCH NPT, 300 BAR	GA031901AV	1
9	BOMBA	TF2101 (CI050000)	1
10	TUERCA DE PESTAÑA DE 9,5 MM (3/8 PULG) -16	★	8
11	TORNILLO DE CAB. HEX. 11,1 MM (7/16 PULG) - 14 1.5	★	4
12	TORNILLO DE CAB. HEX. 9,5 MM (3/8 PULG) - 16 1.25	★	4
13	VOLANTE	PU016701AJ	1
14	CONEXIÓN DE COMPRESIÓN DE 6,4 MM (1/4 PULG)	ST011701AV	1
15	ARANDELA DE 11,1 MM (7/16 PULG)	★	4
16	ARANDELA DE 9,5 MM (3/8 PULG)	★	7
17	TUBO DE DESCARGA 19,1 MM (3/4 PULG)	TF061500AP	1
18	TORNILLO AUTORROSCANTE HEXAGONAL 7,9 MM (5/16 PULG) - 12	★	5
19	EXT TOOTH LOCKWASHER	★	1
20A	ARRANQUE CON CALENTADORES 208-230V	ST122003AJ	1
20B	ARRANQUE CON CALENTADORES 460V (OPCIONAL)	ST122004AJ	1
21	PROTECTOR POSTERIOR DE CORREA	BG217100AV	1
22	TUERCA DE REBORDES 10-24	ST116201AV	5
23	TAPA DE SEGURIDAD	ST075400AV	5
24	PROTECTOR FRONTAL DE CORREA	BG217000AV	1
25	ARANDELA DE 7,9 MM (5/16 PULG.)	★	2
26	ARANDELA DE TRABADO DE DIENTE EXTERNO	★	2
27	MOTOR	MC033500SJ	1
28	POLEA	PU008003AV	1
29	SOPORTE DE PROTECTOR DE CORREA	TF063400AV	1
30	CORREA B67	BT022001AV	1
31	TORNILLO FIJADOR	★	2
32	LLAVE	KE001304AV	1
33	LLAVE DEL VOLANTE	KE001310AV	1
34	ARANDELA DE SEGURIDAD	★	1
35	ARANDELA	TX034600AV	1
36	TORNILLO DE CAB. HEX. DE 12,7MM (1/2 PULG) - 13 1.25	ST070603AV	1
37	TUBO DE COBRE 6,4 MM (1/4 PULG)	TF063500AP	1
38	TORNILLO AUTORROSCANTE DE 1/4-20	★	1
39	ADAPTADOR REDUCTOR	ST071428AV	1
40	CAPUCHON DE CONECCION (NO SE MUESTRA)	ST073008AV	3
★	ARTÍCULO DISPONIBLE EN FERRETERÍAS LOCALES		

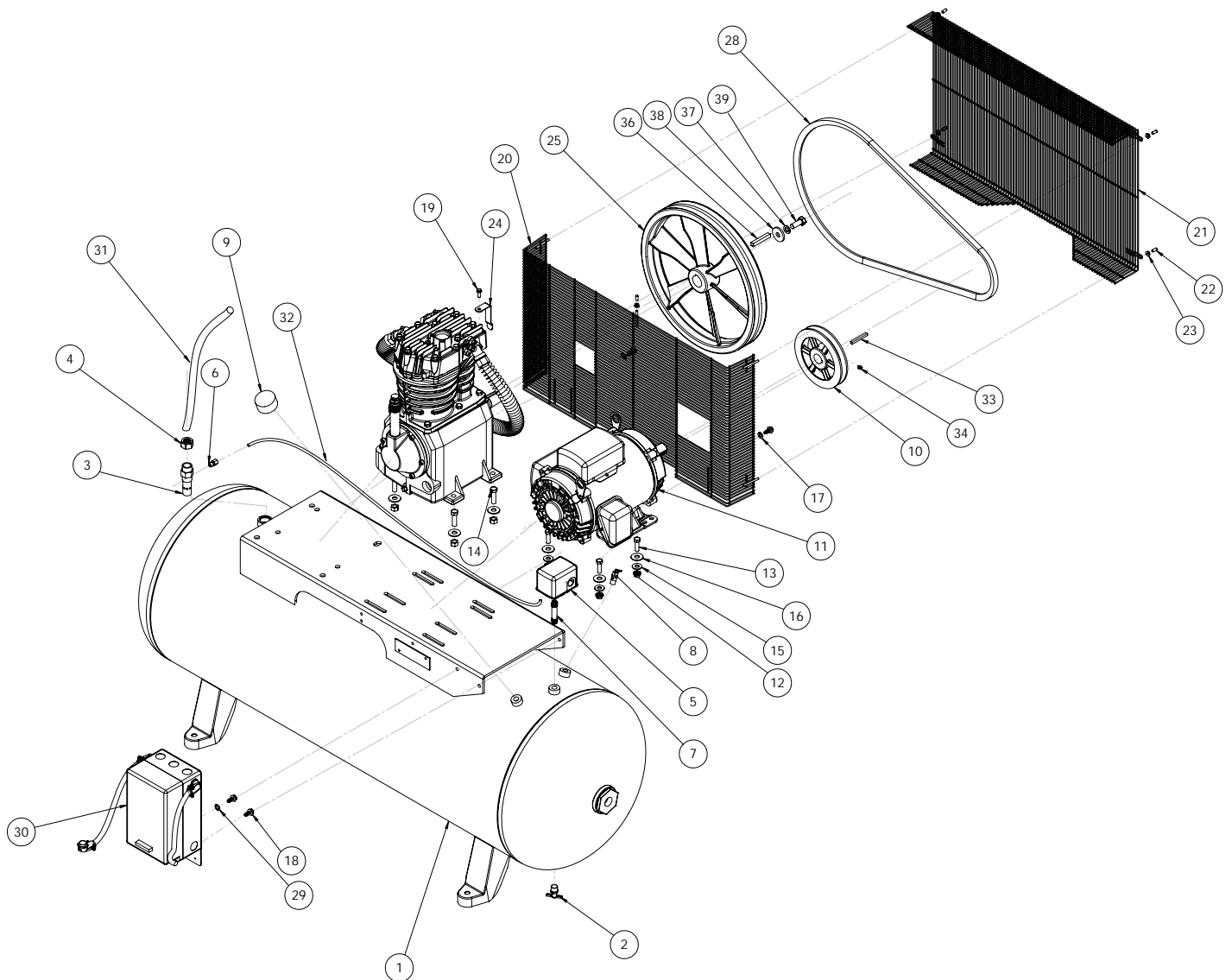
Para Ordenar Repuestos o Asistencia Técnica, Sírvase Llamar al Distribuidor Más Cercano a Su Domicilio

Sírvase darnos la siguiente información:

- Número del modelo
- Código impreso (si correspondiera)
- Descripción y número del repuesto según la lista de repuestos

Dirija toda la correspondencia a:

Campbell Hausfeld
Attn: Customer Service
100 Production Drive
Harrison, OH 45030 U.S.A.



LISTA DE PIEZAS DE REPUESTO

NO. DE REF.	DESCRIPCIÓN	CE705201	CTD.
1	TANQUE	TF003603CG	1
2	LLAVE DE DRENAJE DE 9,5 MM (3/8 PULG)	ST127700AV	1
3	VÁLVULA DE CHEQUEO	CV003404AV	1
4	CONEXIÓN DE COMPRESIÓN	ST072321AV	1
5	PRESOSTATO	CW207561AV	1
6	CONEXIÓN DE COMPRESIÓN	ST011701AV	2
7	NIPLE DE LA TUBERÍA DE 6,4 MM (1/4 PULG) -18 X 2 6,4 MM (1/4 PULG)	ST070387AV	1
8	SAFETY VALVE 200 BAR	V-215200AV	1
9	MANÓMETRO DE 6,4 MM (1/4 PULG) NPT, 300 BAR	GA031901AV	1
10	POLEA	PU008003AV	1
11	MOTOR	MC022393IP	1
12	TUERCA DE PESTAÑA DE 9,5 MM (3/8 PULG) -16	★	4
13	TORNILLO DE CAB. HEX. 9,5 MM (3/8 PULG) - 16 1.25	★	4
14	TORNILLO DE CAB. HEX. 11,1 MM (7/16 PULG) - 14 1.5	★	4
15	ARANDELA DE 9,5 MM (3/8 PULG)	★	4
16	ARANDELA DE 11,1 MM (7/16 PULG)	★	8
17	ARANDELA DE 7,9 MM (5/16 PULG)	★	2
18	TORNILLO AUTOROSCANTE DE 7,9 MM (5/16 PULG) -12	★	4
19	TORNILLO AUTOROSCANTE DE 6,4 MM (1/4 PULG) -20	★	1
20	PROTECTOR POSTERIOR DE CORREA	BG217100AV	1
21	PROTECTOR FRONTAL DE CORREA	BG217000AV	1
22	TAPA DE SEGURIDAD	ST075400AV	5
23	TUERCA DE REBORDES 10-24	★	5
24	SOPORTE DE PROTECTOR DE CORREA	TF063400AV	1
25	VOLANTE	PU016701AJ	1
26	BOMBA	TF2101 (CI050000)	1
27	TUERCA HEX DE 11,1 MM (7/16 PULG) -14	★	4
28	CORREA B67	BT022001AV	1
29	ARANDELA DE TRABADO DE DIENTE EXTERNO	★	2
30	ARRANQUE CON CALENTADORES	ST122001AJ	2
31	TUBO DE COBRE 19,1 MM (3/4 PULG)	CE001400AP	1
32	TUBO DE COBRE 6,4 MM (1/4 PULG)	TF063501AP	1
33	LLAVE	KE001304AV	1
34	TORNILLO DE FIJACIÓN 7,9 MM (5/16 PULG) -18	★	1
35	LLAVE DEL VOLANTE	KE001310AV	1
36	ARANDELA DE SEGURIDAD	★	1
37	CAPUCHON DE CONECCION (NO SE MUESTRA)	ST073008AV	1
38	ARANDELA	★	1
39	TORNILLO DE CAB. HEX. DE 12,7MM (1/2 PULG) - 13 1.25	★	1
★	ARTÍCULO DISPONIBLE EN FERRETERÍAS LOCALES		

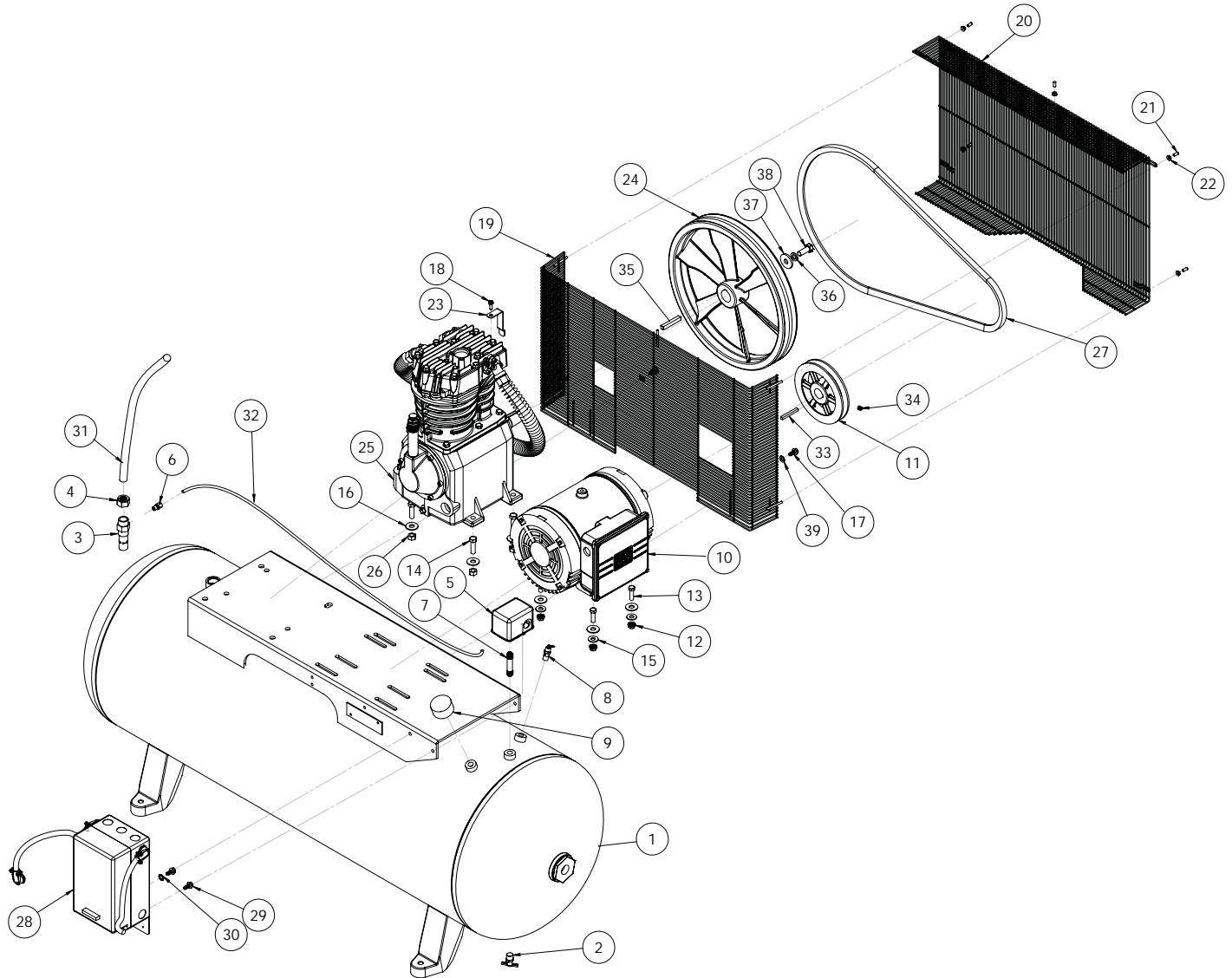
Para Ordenar Repuestos o Asistencia Técnica, Sírvase Llamar al Distribuidor Más Cercano a Su Domicilio

Sírvase darnos la siguiente información:

- Número del modelo
- Código impreso (si correspondiera)
- Descripción y número del repuesto según la lista de repuestos

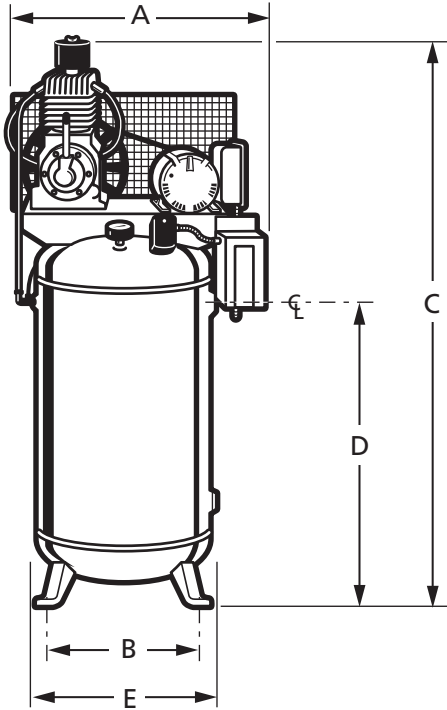
Dirija toda la correspondencia a:

Campbell Hausfeld
Attn: Customer Service
100 Production Drive
Harrison, OH 45030 U.S.A.

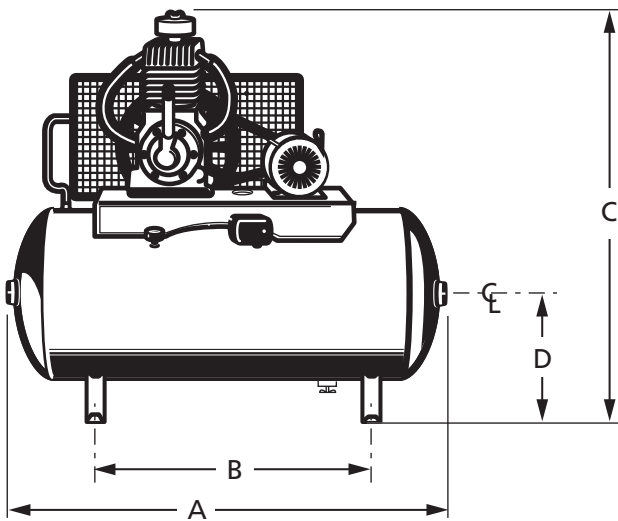


LISTA DE PIEZAS DE REPUESTO

NO. DE REF.	DESCRIPCIÓN	CE705301	CTD.
1	TANQUE	TF003603CG	1
2	LLAVE DE DRENAJE DE 9,5 MM (3/8 PULG)	ST127700AV	1
3	VÁLVULA DE CHEQUEO	CV003404AV	1
4	TUERCA DE COMPRESIÓN	ST072321AV	1
5	PRESOSTATO	CW207561AV	1
6	CONEXIÓN DE COMPRESIÓN DE 6,4 MM (1/4 PULG)	ST011701AV	1
7	NIPLE DE LA TUBERÍA DE 6,4 MM (1/4 PULG) -18 X 2 (3/4 PULG)	ST070387AV	1
8	VÁLVULA DE SEGURIDAD 200 BAR	V-215200AV	1
9	MANÓMETRO DE 6,4 MM (1/4 PULG) NPT, 300 BAR	GA031901AV	1
10	MOTOR	MC033500SJ	1
11	POLEA	PU008003AV	1
12	TUERCA DE PESTAÑA DE 9,5 MM (3/8 PULG) - 16	★	4
13	TORNILLO DE CAB. HEX. 11,1 MM (7/16 PULG) - 14 1.5	★	4
14	TORNILLO DE CAB. HEX. 9,5 MM (3/8 PULG) - 16 1.25	★	4
15	ARANDELA DE 9,5 MM (3/8 PULG)	★	4
16	ARANDELA DE 11,1 MM (7/16 PULG)	★	8
17	TORNILLO AUTORROSCANTE HEXAGONAL 7,9 MM (5/16 PULG) - 12	★	4
18	TORNILLO AUTORROSCANTE HEXAGONAL 6,4 MM (1/4 PULG) - 20	★	1
19	PROTECTOR POSTERIOR DE CORREA	BG217100AV	1
20	PROTECTOR FRONTAL DE CORREA	BG217000AV	1
21	TAPA DE SEGURIDAD	ST075400AV	5
22	TUERCA DE REBORDES 10-24	★	5
23	SOPORTE DE PROTECTOR DE CORREA	TF063400AV	1
24	VOLANTE	PU016701AV	1
25	BOMBA	TF2101 (CI050000)	1
26	TUERCA HEX DE 11,1 MM (7/16 PLG) -14	★	4
27	CORREA B67	BT022001AV	1
28A	ARRANQUE CON CALENTADORES 208-230V	ST122003AJ	1
28B	ARRANQUE CON CALENTADORES 460V (OPCIONAL)	ST122004AJ	1
29	ARANDELA DE SEGURIDAD DE 7,9 MM (5/16 PULG) -18	★	2
30	ARANDELA DE TRABADO DE DIENTE EXTERNO	★	1
31	TUBO DE COBRE 19,1 MM (3/4 PULG)	TF062200AP	1
32	TUBO DE COBRE 6,4 MM (1/4 PULG)	TF063501AP	1
33	LLAVE	KE001304AV	1
34	TORNILLO DE FIJACIÓN 7,9 MM (5/16 PULG) -18	★	1
35	LLAVE DEL VOLANTE	KE001310AV	1
36	ARANDELA DE SEGURIDAD	★	1
37	ARANDELA	TX034600AV	1
38	TORNILLO DE CAB. HEX. DE 12,7MM (1/2 PULG) - 13 1.25	★	1
39	ARANDELA DE 7,9 MM (5/16 PULG.)	★	2
40	CAPUCHON DE CONECCION (NO SE MUESTRA)	ST073008AV	3
★	ARTÍCULO DISPONIBLE EN FERRETERÍAS LOCALES		



Clave	Descripción	Dim.
A	Ancho total	82,6 cm
B	Distancia después de apretar el perno (120° apart)	68,6 cm
C	Altura total	190,5 cm
D	Conexión del tanque a tierra	101,6 cm
E	Distancia total	64,8 cm



Clave	Descripción	Dim.
A	Ancho total	162,6 cm
B	Distancia después de apretar el perno	101,6 cm
C	Altura total	124,5 cm
D	Conexión del tanque a tierra	35,6 cm
E	△ Distancia después de apretar el perno	45,7 cm
F	△ Distancia total	52,1 cm

△ No se muestra

