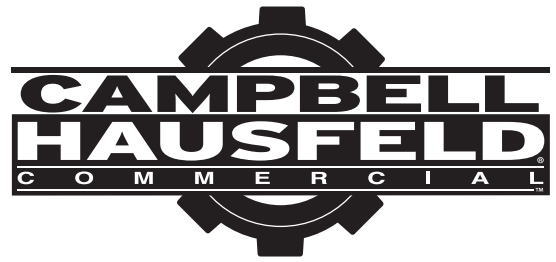


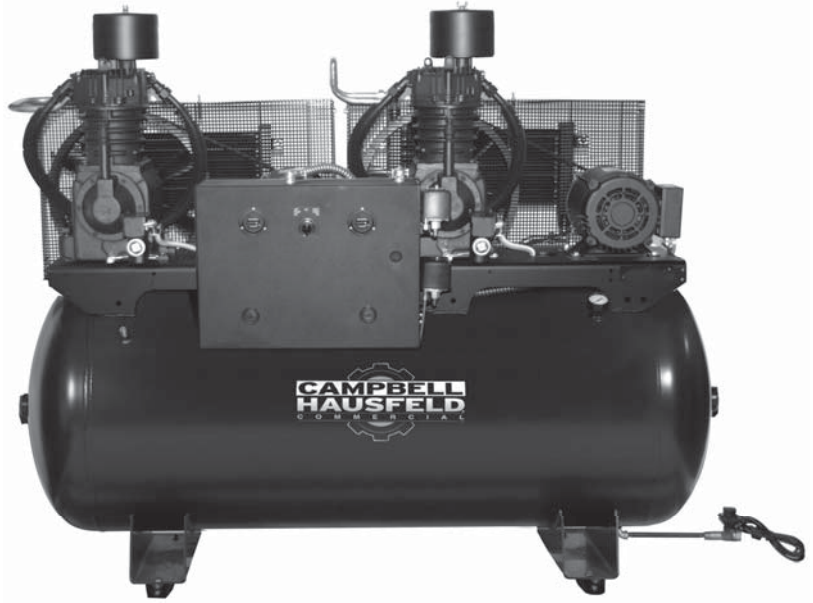
# Two Stage Duplex Air Compressors



CE7200 Series, CE8200 Series

## Table of Contents

Introduction ..... 1  
 Safety Guidelines ..... 2  
 Safety Symbols ..... 2  
 Important Safety Information ..... 2  
 Getting To Know Your Compressor .... 4  
 Unpacking ..... 5  
 Installation ..... 5  
 Operation ..... 10  
 Maintenance ..... 12  
 Troubleshooting Guide  
     New Installations ..... 14  
     Units in Service for a  
     Period of Time ..... 16  
 Limited Warranty ..... 20



## Introduction

The Campbell Hausfeld CE Series line of air compressors are two stage, oil lubricated reciprocating compressors.

### TIRE AND LUBE SERIES DUPLEX MODELS INCLUDE:

- Compressor pump
- ASME air receiver with safety valve
- Electric motor
- Starter
- Pressure switch
- Air cooled aftercooler
- Digital hour meter
- Automatic tank drain
- Low oil guard
- Vibration isolation pads
- Shut-off valve
- Deluxe Alternator Control Panel

### Quick Reference

#### RECOMMENDED OIL (2 OPTIONS)

Single viscosity SAE 30 ISO100 nondetergent compressor oil. Available from Campbell Hausfeld, part number ST126700AV.

10W30 synthetic oil such as Mobil 1®.

#### OIL CAPACITY

CE7200 Series	2 quarts (per pump)
CE8200 Series	4 quarts (per pump)

### RETAIN THIS INFORMATION FOR FUTURE REFERENCE

Serial Number:

Model Number:

Date of Purchase:

## Safety Guidelines

This manual contains information that is very important to know and understand. This information is provided for SAFETY and to PREVENT EQUIPMENT PROBLEMS. To help recognize this information, observe the following symbols.

**⚠ DANGER** *Danger indicates an imminently hazardous situation which, if not avoided, WILL result in death or serious injury.*

**⚠ WARNING** *Warning indicates a potentially hazardous situation which, if not avoided, COULD result in death or serious injury.*

**⚠ CAUTION** *Caution indicates a potentially hazardous situation which, if not avoided, MAY result in minor or moderate injury.*

**NOTICE** *Notice indicates important information, that if not followed, may cause damage to equipment.*

**IMPORTANT:** Information that requires special attention.

## Safety Symbols

The following Safety Symbols appear throughout this manual to alert you to important safety hazards and precautions.



*Wear Eye and Mask Protection*



*Read Manual First*



*Risk of Fire*



*Risk of Moving Parts*



*Risk of Hot Parts*



*Risk of Explosion*



*Risk of Fumes*



*Risk of Pressure*



*Risk of Shock*

*Please read and save these instructions. Read carefully before attempting to assemble, install, operate or maintain the product described. Protect yourself and others by observing all safety information. Failure to comply with instructions could result in personal injury and/or property damage! Retain instructions for future reference.*

## Important Safety Information

This manual contains important safety, operational and maintenance information. If you have any questions, please call 1-888-606-5587 for customer assistance.

Since the air compressor and other components (material pump, spray guns, filters, lubricators, hoses, etc.) used make up a high pressure pumping system, the following safety precautions must be observed at all times:

### CALIFORNIA PROPOSITION 65

**⚠ WARNING** *This product or its power cord may contain chemicals known to the State of California to cause cancer and birth defects or other reproductive harm. Wash hands after handling.*

**⚠ WARNING** *You can create dust when you cut, sand, drill or grind materials such as wood, paint, metal, concrete, cement, or other masonry. This dust often contains chemicals known to cause cancer, birth defects, or other reproductive harm. Wear protective gear.*



## ⚠ DANGER

### Breathable Air Warning

This compressor/pump is not equipped and should not be used “as is” to supply breathing quality air. For any application of air for human consumption, the air compressor/pump will need to be fitted with suitable in-line safety and alarm equipment. This additional equipment is necessary to properly filter and purify the air to meet minimal specifications for Grade D breathing as described in Compressed Gas Association Commodity Specification G 7.1, OSHA 29 CFR 1910.134, and/or Canadian Standards Associations (CSA).

### DISCLAIMER OF WARRANTIES

In the event the compressor is used for the purpose of breathing air application and proper in-line safety and alarm equipment is not simultaneously used, existing warranties shall be voided, and Campbell Hausfeld disclaims any liability whatsoever for any loss, personal injury or damage.

## GENERAL SAFETY

- ◆ Read all manuals included with this product carefully. Be thoroughly familiar with the controls and the proper use of the equipment.
- ◆ Follow all local electrical and safety codes as well as the United States National Electrical Codes (NEC) and Occupational Safety and Health Act (OSHA).
- ◆ Only persons well acquainted with these rules of safe operation should be allowed to use the compressor.
- ◆ Keep visitors away and NEVER allow children in the work area.
- ◆ Wear safety glasses and use hearing protection when operating the unit.
- ◆ Do not stand on or use the unit as a handhold.



## Important Safety Information (Continued)

- ◆ Before each use, inspect compressed air system and electrical components for signs of damage, deterioration, weakness or leakage. Repair or replace defective items before using.
- ◆ Check all fasteners at frequent intervals for proper tightness.

**▲ WARNING** *Motors, electrical equipment and controls can cause electrical arcs that will ignite a flammable gas or vapor. Never operate or repair in or near a flammable gas or vapor. Never store flammable liquids or gases in the vicinity of the compressor.*



**▲ WARNING** *Never operate compressor without a beltguard. This unit can start automatically without warning. Personal injury or property damage could occur from contact with moving parts.*



- ◆ Do not wear loose clothing or jewelry that will get caught in the moving parts of the unit.

**▲ CAUTION** *Compressor parts may be hot even if the unit is stopped.*



- ◆ Keep fingers away from a running compressor; fast moving and hot parts will cause injury and/or burns.
- ◆ If the equipment should start to vibrate abnormally, STOP the engine/motor and check immediately for the cause. Vibration is generally an indication of trouble.
- ◆ To reduce fire hazard, keep engine/motor exterior free of oil, solvent, or excessive grease.

**▲ WARNING** *An ASME code safety relief valve with a setting no higher than the Maximum Allowable Working Pressure (MAWP) of the tank MUST be installed in the air lines or in the tank for this compressor. The ASME safety valve must have sufficient flow and pressure ratings to protect the pressurized components from bursting. The flow rating can be found in the parts manual. The safety valve in the intercooler does not provide system protection.*

**▲ WARNING** *Maximum operating pressure is 175 psi for two-stage compressors. Do not operate with pressure switch or pilot valves set higher than 175 psi (two-stage).*

- ◆ Never attempt to adjust ASME safety valve. Keep safety valve free from paint and other accumulations.

**▲ WARNING** *Never attempt to repair or modify a tank! Welding, drilling or any other modification will weaken the tank resulting in damage from rupture or explosion. Always replace worn, cracked or damaged tanks.*



### NOTICE

*Drain liquid from tank daily.*

- ◆ Tanks rust from moisture build-up, which weakens the tank. Make sure to drain tank regularly and inspect periodically for unsafe conditions such as rust formation and corrosion.
- ◆ Fast moving air will stir up dust and debris which may be harmful. Release air slowly when draining moisture or depressurizing the compressor system.

### SPRAYING PRECAUTIONS

**▲ WARNING** *Do not spray flammable materials in vicinity of open flame or near ignition sources including the compressor unit.*



- ◆ Do not smoke when spraying paint, insecticides, or other flammable substances.
- ◆ Use a face mask/respirator when spraying and spray in a well ventilated area to prevent health and fire hazards.
- ◆ Do not direct paint or other sprayed material at the compressor. Locate compressor as far away from the spraying area as possible to minimize overspray accumulation on the compressor.
- ◆ When spraying or cleaning with solvents or toxic chemicals, follow the instructions provided by the chemical manufacturer.



### SAVE THESE INSTRUCTIONS DO NOT DISCARD

The DANGER, WARNING, CAUTION, and NOTICE notifications and instructions in this manual cannot cover all possible conditions and situations that may occur. It must be understood by the operator that caution is a factor which cannot be built into this product, but must be supplied by the operator.

## Getting To Know Your Compressor

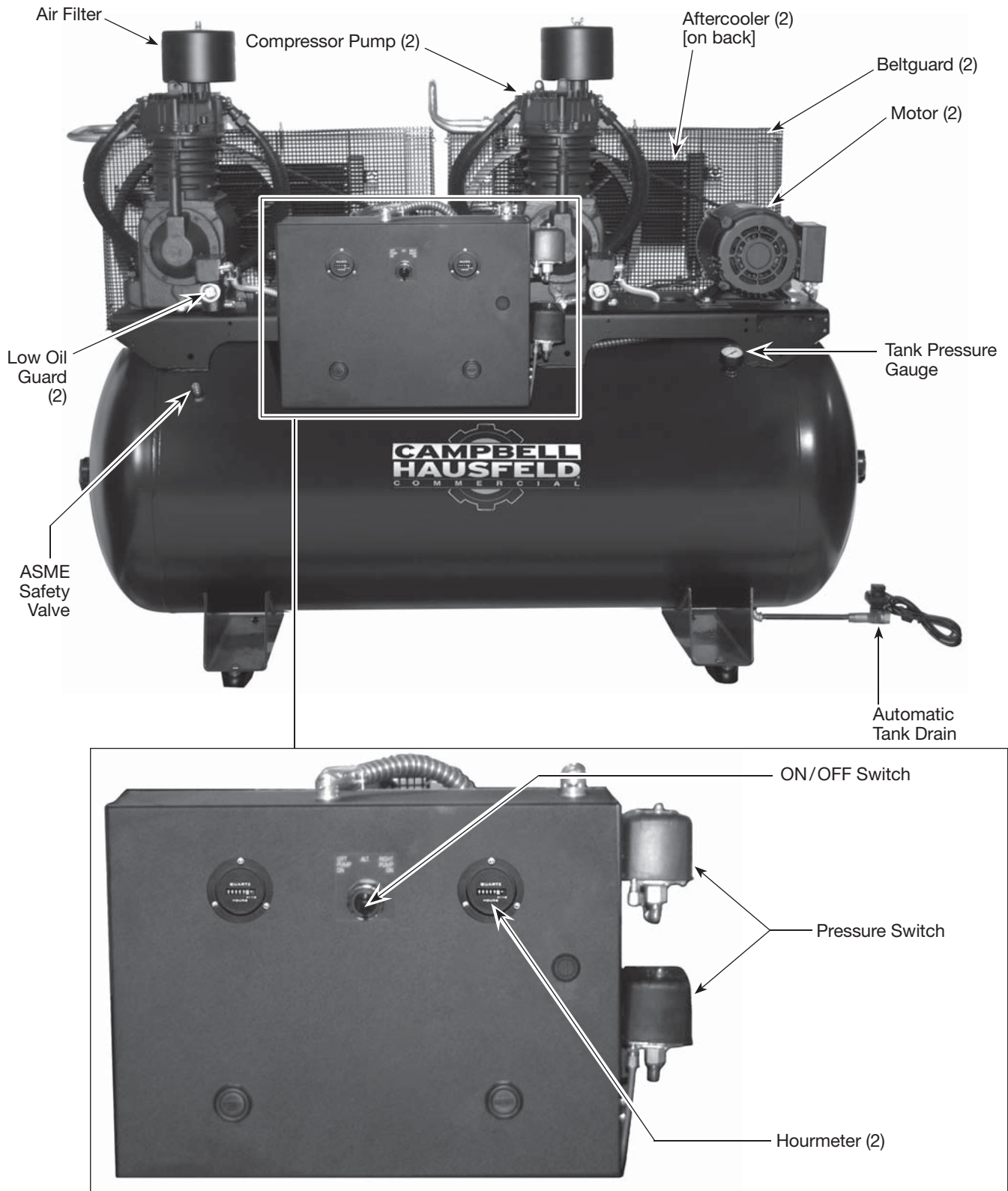


Figure 1 - Duplex Air Compressor

## Unpacking

**▲ CAUTION** *Do not lift or move unit without appropriately rated equipment. Be sure the unit is securely attached to lifting device used. Do not lift unit by holding onto tubes or coolers. Do not use unit to lift other attached equipment.*

After unpacking the unit, inspect carefully for any damage that may have occurred during transit. Check for loose, missing or damaged parts. Check to be sure all supplied accessories are enclosed with the unit. In case of questions, damaged or missing parts, please call 1-888-606-5587 for customer assistance.

**▲ WARNING** *Do not operate unit if damaged during shipping, handling or use. Damage may result in bursting and cause injury or property damage.*

### REQUIRED ITEMS - NOT INCLUDED

- ◆ Oil

## Installation

**▲ WARNING** *Disconnect, tag and lock out power source then release all pressure from the system before attempting to install, service, relocate or perform any maintenance.*



**▲ CAUTION** *Do not lift or move unit without appropriately rated equipment. Be sure the unit is securely attached to lifting device used. Do not lift unit by holding onto tubes or coolers. Do not use unit to lift other attached equipment.*

**▲ CAUTION** *Never use the wood shipping skids for mounting the compressor.*

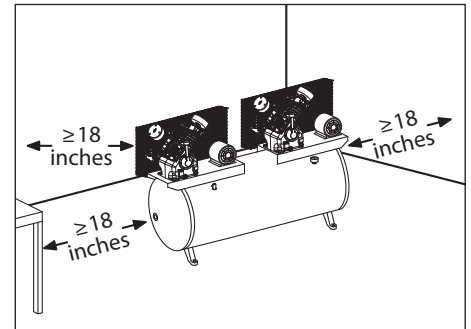


Figure 2 - Location

### PICKING THE LOCATION

Install and operate unit at least 18 inches from any obstructions in a clean, well ventilated area. The surrounding air temperature should not exceed 100° F. This will ensure an unobstructed flow of air to cool compressor and allow adequate space for maintenance.

**▲ CAUTION** *Do not locate the compressor air inlet near steam, paint spray, sandblast areas or any other source of contamination.*

**NOTE:** If compressor operates in a hot, moist environment, supply compressor pump with clean, dry outside air. Supply air should be piped in from external sources.

### TANK MOUNTING

The tank should be bolted into a flat, even, concrete floor or on a separate concrete foundation. Vibration isolators should be used between the tank leg and the floor. Model MP345800AJ isolator pads are recommended for horizontal units. Isolator pads are included with fully packaged models.

When using isolator pads, **do not draw bolts tight**. Allow the pads to absorb vibrations. When isolators are used, a flexible hose or coupling should be installed between the tank and service piping.

**▲ WARNING** *Failure to properly install the tank can lead to cracks at the welded joints and possible bursting.*

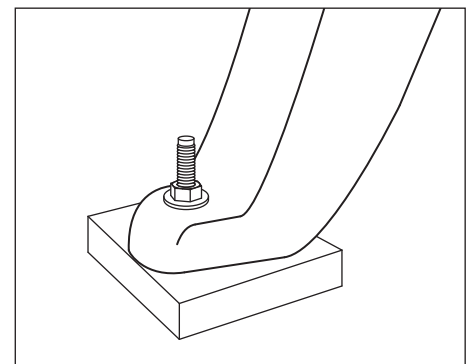


Figure 3 - Isolator pad

## Installation (Continued)

### PIPING

**▲ WARNING** *Never use plastic (PVC) pipe for compressed air. Serious injury or death could result.*

Any tube, pipe or hose connected to the unit must be able to withstand the temperature generated and retain the pressure. All pressurized components of the air system must have a pressure rating of 200 psi or higher. Incorrect selection and installation of any tube, pipe or hose could result in bursting and injury. Connect piping system to tank using the same size fitting as the discharge port.

### INSTALLING A SHUT-OFF VALVE

A shut-off valve should be installed on the discharge port of the tank to control the air flow out of the tank. The valve should be located between the tank and the piping system.

**▲ WARNING** *Never install a shut-off valve between the compressor pump and the tank. Personal injury and/or equipment damage may occur. Never use reducers in discharge piping.*

When creating a permanently installed system to distribute compressed air, find the total length of the system and select pipe size from the chart. Bury underground lines below the frost line and avoid pockets where condensation can gather and freeze.

Apply air pressure to the piping installation and make sure all joints are free from leaks BEFORE underground lines are covered. Before putting the compressor into service, find and repair all leaks in the piping, fittings and connections.

### WIRING

**▲ WARNING** *All wiring and electrical connections must be performed by a qualified electrician familiar with induction motor controls. Installations must be in accordance with local and national codes.*

**▲ WARNING** *Overheating, short circuiting and fire damage will result from inadequate wiring.*

Wiring must be installed in accordance with National Electrical Code and local codes and standards that have been set up covering electrical apparatus and wiring. These should be consulted and local ordinances observed. Be certain that adequate wire sizes are used, and that:

1. Service is of adequate ampere rating.
2. The supply line has the same electrical characteristics (voltage, cycles and phase) as the motor. Refer to motor name plate for electrical ratings and specifications.
3. The line wire is the proper size and that no other equipment is operated from the same line. The chart gives minimum recommended wire sizes for compressor installations.

### MINIMUM PIPE SIZE FOR COMPRESSED AIR LINE

CFM	Length Of Piping System			
	25 feet	50 feet	100 feet	250 feet
10	1/2 inch	1/2 inch	3/4 inch	3/4 inch
20	3/4 inch	3/4 inch	3/4 inch	1 inch
40	3/4 inch	1 inch	1 inch	1 inch
60	3/4 inch	1 inch	1 inch	1 inch
100	1 inch	1 inch	1 inch	1-1/4 inch



Figure 4 - Shut-off Valve

### MINIMUM WIRE SIZE (USE 75°C COPPER WIRE)

Make sure voltage is correct with the motor wiring.

**NOTE:** If using 208 volts single phase, make sure the motor name plate states it is rated for 208 volts single phase. 230 volt single phase motors do not work on 208 volts unless they have the 208 volt rating.

HP	AMPS	Single Phase	Three Phase	
		230V	208/230V	460/575V
10.0		N/A	8 AWG	12 AWG
15.0		N/A	6 AWG	10 AWG

*Recommended wire sizes may be larger than the minimum set up by local ordinances. If so, the larger size wire should be used to prevent excessive line voltage drop. The additional wire cost is very small compared with the cost of repairing or replacing a motor electrically "starved" by the use of supply wires which are too small.*

## Installation (Continued)

### GROUNDING

**⚠ WARNING** *Improperly grounded electrical components are shock hazards. Make sure all the components are properly grounded to prevent death or serious injury.*



This product **must** be grounded. Grounding reduces the risk of electrical shock by providing an escape wire for the electric current if short circuit occurs. This product must be installed and operated with a power cord or cable that has a grounding wire.

### BREAKERS AND FUSES

The entire electrical system should be checked by a certified electrician. Time delay breakers and fuses are required for this compressor. A tripped breaker or blown fuses may indicate a direct short to ground, high current draw, improper wiring, incorrect fuse or breaker size and/or type. This needs to be evaluated by a certified electrician.

### MOTOR HOOKUP AND STARTER INSTALLATION

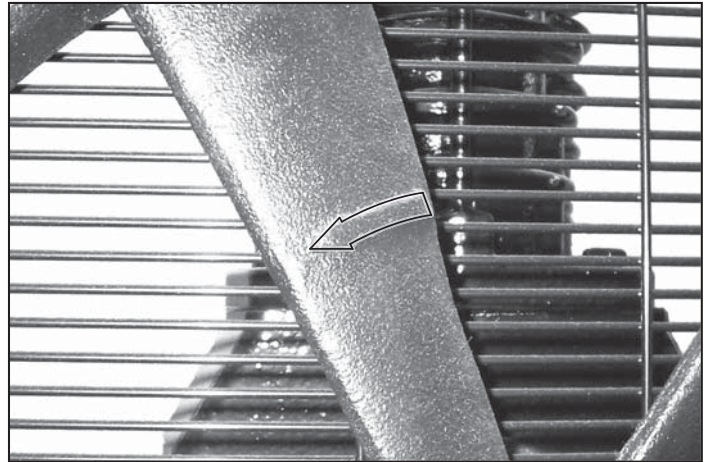
Branch circuit protection must be provided as specified in the United States National Electrical Code, Chapter 2, "Wiring Design and Protection." Article 210, using the applicable article "For Motors and Motor Controllers," (Article 430, Table 430-1 52).

**IMPORTANT:** Overload protection is required for all motors.

Motors used on CE8000 Series air compressors do not have built-in overload protection. A magnetic starter is required. All CE Series compressors, except models CE8000 and CE8002, include a magnetic starter. Refer to the wiring diagrams for electrical installation.

### DIRECTION OF ROTATION

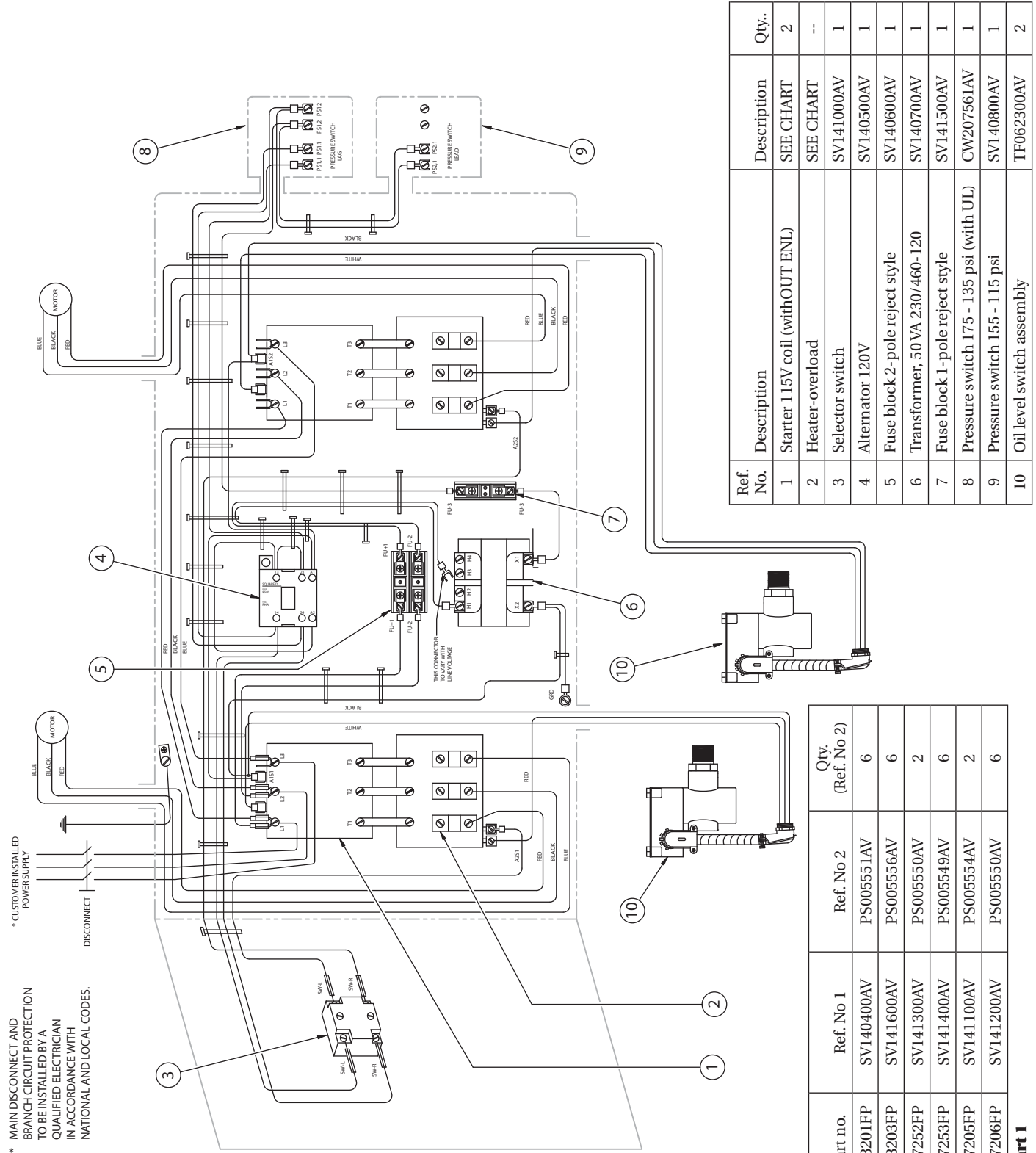
**NOTE:** Improper rotation will result in reduced compressor life. The direction of rotation must be counterclockwise (as shown by the arrow on the flywheel in Figure 5) while facing the flywheel side of the pump. The motor nameplate will show wiring information for counterclockwise rotation.



**Figure 5 - Direction of rotation**

The proper direction is very important. The direction of rotation of 3 phase motors can be reversed by interchanging any two motor-line leads. For single phase motors, refer to the motor nameplate.

**Installation (Continued)**



**Figure 6 - Wiring diagram**

Part no.	Ref. No 1	Ref. No 2	Qty. (Ref. No 2)
CE8201FP	SV140400AV	PS005551AV	6
CE8203FP	SV141600AV	PS005556AV	6
CE7252FP	SV141300AV	PS005550AV	2
CE7253FP	SV141400AV	PS005549AV	6
CE7205FP	SV141100AV	PS005554AV	2
CE7206FP	SV141200AV	PS005550AV	6

**Chart 1**



**Installation (Continued)**

**LUBRICATION**

**⚠ CAUTION** *THIS UNIT CONTAINS NO OIL. Before operating compressor, fill to the center of the sight gauge (see Figure 7).*

**⚠ CAUTION** *Using any other type of oil may shorten pump life and damage valves.*

**Recommended Oil (2 Options)**

- Single viscosity SAE 30 ISO100 non-detergent compressor oil. Available from Campbell Hausfeld, part number ST126700AV.
- 10W30 synthetic oil such as Mobil 1®.

**Oil Capacity**

CE7000 Series. . . . .	2 quarts (per pump)
CE8000 Series. . . . .	4 quarts (per pump)

Fill the pump with oil to the center of the sight gauge using oil fill opening (see Figure 7). **Do NOT fill the pump through the breather cap opening as this may cause oil to leak and spray out during operation.**

The Automotive Series compressor models include a low oil guard. This device monitors the oil level in the crankcase and will shut off the compressor if the oil level gets too low. See separate low oil guard manual for complete operating instructions.

**NOTE:** Some residual oil may still be in the pump from factory testing leaving a thin coat on the sight gauge; however, there is not enough oil to operate the unit.

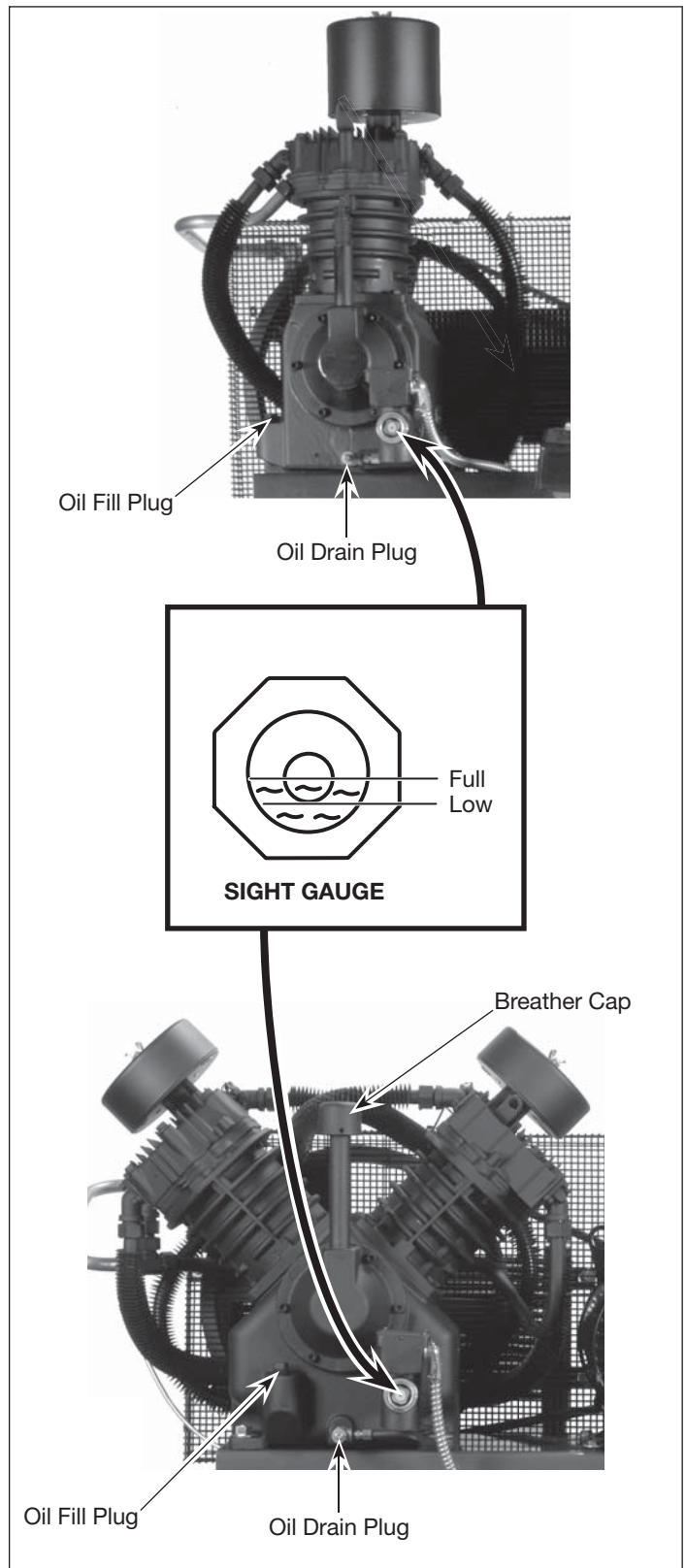


Figure 7

## Operation

**IMPORTANT:** Check motor rotation before operating the compressor.

All lubricated compressor pumps discharge some condensed water and oil with the compressed air. Install appropriate water/oil removal equipment and controls as necessary for the intended application.

### NOTICE

*Failure to install appropriate water/oil removal equipment may result in damage to machinery or workpiece.*

### GUARDING

#### ⚠ WARNING

*The belt guard provided must be installed before operating the unit.*



All moving parts must be guarded. All electrical covers must be installed before turning on the power.

### RECOMMENDED BREAK-IN PERIOD

The compressor should be run continuously for one hour to allow proper seating of the piston rings.

1. Open drain cock completely and run the compressor for 60 minutes.
2. Turn off the compressor and close drain cock. The compressor is now ready for use.

### DUPLEX ALTERNATING SYSTEM

This compressor has an alternating system with a single power input. This system evenly distributes the workload between the two motor/pump units. If system pressure falls below 125 psi, both motor/pump units run. As tank pressure exceeds 155 psi, one motor/pump unit shuts off. This is the motor/pump unit which will run first the next time the tank needs pressure up to 175 psi. If the air pressure in the tank drops below 145 psi, but remains above 125 psi, only one motor/pump unit will run. Motor/pump units will take turns pressurizing the tank so that the motor/pump unit which has been idle longest pressurizes the tank.

### PRESSURE SWITCH, START - STOP

**NOTE:** This compressor has a maximum operating pressure of 175 psi. Do not alter pressure settings on control components above this limit.

The pressure switch contains an unloader which is a small valve that vents air to allow the motor to start easily.

The unloader valve on the pressure switch should hiss for a short period of time when the compressor shuts off. This relieves the head and the exhaust tubing of any pressure and allows the compressor to start under no load. Because compressors have high starting torque the unloader is necessary for proper starting of the compressor.

The check valve is a one way valve that keeps the air in the tank when the unit shuts off. The easiest way to determine if the check valve is working properly is to make sure that the pressure switch unloader quits hissing after the compressor shuts off. The hissing should last for several seconds and then quit.

### CRANKCASE BREATHER

During severe operating conditions or initial start-up, some oil may accumulate at the crankcase breather opening. This is normal and will diminish as the pump accumulates run time and the piston rings become fully seated.

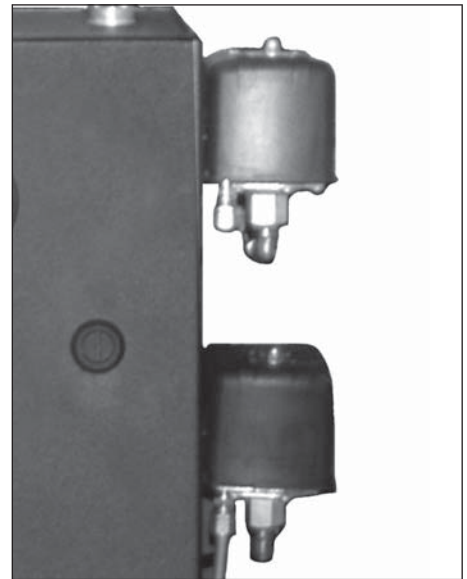


Figure 8 - Pressure Switches

## Operation (Continued)

### DRAINING TANK

Condensate must be drained from the tank daily. Tire and Lube Series duplex models include an automatic tank drain which must be installed (see Figure 10). Refer to instructions provided with the automatic drain.

### SHUTTLE VALVE

**IMPORTANT:** Do not replace the shuttle valve with a pipe tee or pipe cross.

The plumbing on the compressor includes a shuttle valve between the pressure switch unloader valve and the two in-tank check valves. This shuttle valve prevents pressure from the discharge tube of one compressor from flowing back into the compressor which is not running. A back flow of pressurized air into the off compressor discharge line can damage the pump and motor.

### DUTY CYCLE

Each pump on this compressor is designed to operate up to 75% of the time. Long-term or on-time operation over 75% could decrease the life of the pump and motor.

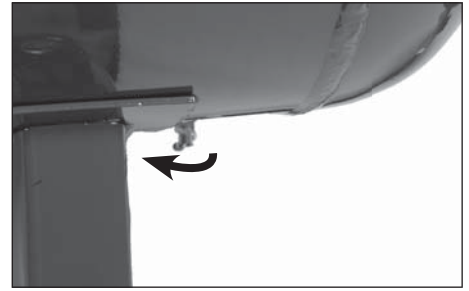


Figure 9 - Manual Tank Drain



Figure 10 - Automatic Tank Drain

## Maintenance

**▲ WARNING** *Disconnect, tag and lock out power source then release all pressure from the system before attempting to install, service, relocate or perform any maintenance.*



In order to maintain efficient operation of the compressor system, check the air filter and oil level before each use. The ASME safety valve should also be checked daily (see Figure 11). Pull ring on safety valve and allow the ring to snap back to normal position. This valve automatically releases air if the tank pressure exceeds the preset maximum. If air leaks after the ring has been released, or the valve is stuck and cannot be actuated by the ring, the ASME safety valve must be replaced.

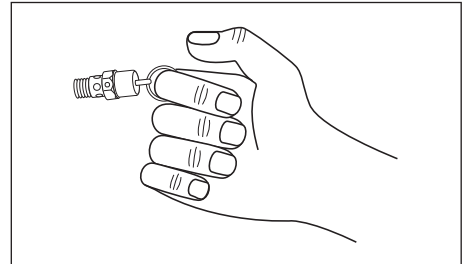


Figure 11 - ASME Safety Valve

**▲ WARNING** *Do not tamper with the ASME safety valve.*

### TANK

**▲ WARNING** *Never attempt to repair or modify a tank! Welding, drilling or any other modification will weaken the tank resulting in damage from rupture or explosion. Always replace worn, cracked or damaged tanks.*



**NOTICE** *Drain liquid from tank daily.*

The tank should be carefully inspected at a minimum of once a year. Look for cracks forming near the welds. If a crack is detected, remove pressure from tank immediately and replace.



Figure 12

### COMPRESSOR LUBRICATION

See Installation. Add oil as required. The oil should be changed every three months or after every 500 hours of operation; whichever comes first.

If the compressor is run under humid conditions for short periods of time, the humidity will condense in the crankcase and cause the oil to look creamy. Oil contaminated by condensed water will not provide adequate lubrication and must be changed immediately. Using contaminated oil will damage bearings, pistons, cylinders and rings and is not covered under warranty. To avoid water condensation in the oil, periodically run the compressor with tank pressure near 150 psi for two-stage compressors or 120 psi for single stage compressors by opening the drain cock or an air valve connected to the tank or hose. Run the pump for an hour at a time at least once a week or more often if the condensation reoccurs.

**IMPORTANT:** Change oil after first 50 hours of operation.

### AIR FILTER

Never run the compressor pump without an intake air filter or with a clogged intake air filter. The air filter element should be checked monthly (see Figure 12). Operating compressor with a dirty filter can cause high oil consumption and increase oil contamination in the discharge air. If the air filter is dirty it must be replaced.

### INTERCOOLER

**▲ CAUTION** *Intercooler fins are sharp, always wear gloves and use care when you clean or work near the intercooler.*

Weekly, check the intercooler to be sure all fittings are secure and tight. Clean all dirt, dust and other accumulations from the intercooler fins.

### COMPONENTS

Turn off all power and clean the cylinder head, motor, fan blades, air lines, intercooler and tank on a monthly basis.

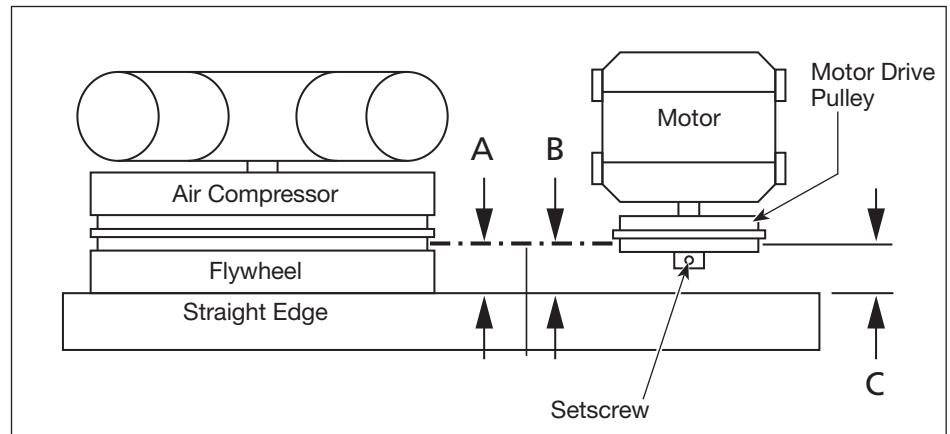
**Maintenance (Continued)**

**BELTS**

**▲ WARNING** *Lock out and tag the power then release all pressure from the tank to prevent unexpected movement of the unit.*

Check belt tension every 3 months. Adjust belt tension to allow 3/8 inch to 1/2 inch deflection with normal thumb pressure. Also, align belts using a straight edge against the face of the flywheel and touching the rim on both sides of the face. The belts should be parallel to this straight edge (see Figure 13). Dimension A should be the same as B and C to ensure proper alignment of the belts.

Slots in the bed-plate allow for sliding the motor back and forth to adjust belt tension.



**Figure 13 - Top View**

**MAINTENANCE SCHEDULE**

Operation	Daily	Monthly	3 Months
Check Safety Valve	●		
Drain Tank (see Figure 9 and 10)	●		
Check Oil Level	●		
Clean or Change Air Filter		●	
Check Intercooler		●	
Clean Unit Components		●	
Check Belt Tightness			●
Change Oil (see Figure 7)			●

## Troubleshooting Guide for New Installations

SYMPTOM	CAUSE	SOLUTION
Unit fails to start - Motor makes no noise	Insufficient power to compressor	Source electric to the compressor is either the incorrect voltage, insufficient wire size to carry the load, the fuse box or breaker box is not sufficient to carry the load requirements to the compressor.
	Unit wired incorrectly	Any wiring other than what is stated in the manual could cause a malfunction (see Wiring Section).
	Wrong voltage supplied to unit	Make sure voltage is correct with the motor wiring (see Wiring Section).
	Loose electrical connections	The entire electrical system should be checked by a certified electrician. The incoming wires and the compressor electrical connections should be checked. Loose connections will cause malfunctions.
	Wrong size wiring	Check that wire size is rated for the current of the compressor. State and local codes vary widely and need to be checked before installation.
	Blown fuse and/or tripped breaker	The breaker and fuses required for this unit must be time delay. A tripped breaker or blown fuse may result from a direct short to ground, high current draw, improper wiring, incorrect fuse or breaker size and/or type. This needs to be evaluated by a service center or certified electrician.
	Starter overload tripped	Check and reset if necessary. If the overload trips after the initial reset, refer to the section of the manual that covers this issue.
Low oil level	Units equipped with a Low Oil Guard must have proper oil level to operate. If oil level is low, add more oil. Unplug the compressor to reset the relay for the low oil switch (see Lubrication section).	
Unit fails to start - Motor hums	Unit wired incorrectly	Any wiring other than what is stated in the manual could cause a malfunction (see Wiring Section).
	Wrong voltage	Make sure voltage is correct with the motor wiring (see Wiring Section).
	Loose electrical connections	The entire electrical system should be checked by a certified electrician. The incoming wires and the compressor electrical connections should be checked. Loose connections will cause malfunctions.
Motor reset button trips or reset trips on starter	Unit wired incorrectly	Check voltage, wire size, etc. This problem needs to be evaluated and corrected (see Wiring Section).
	Wrong voltage	Make sure voltage is correct with the motor wiring (see Wiring Section).
	Wrong size wiring	Check to make sure wire size is rated for the current of the compressor. Check that wire size is rated for the current of the compressor. State and local codes vary widely and need to be checked before installation.
Unit starts but does not get to full speed	Insufficient power to compressor	Source electric to the compressor is either the incorrect voltage, insufficient wire size to carry the load, the fuse box or breaker box is not sufficient to carry the load requirements to the compressor.
	Loose electrical connections	The entire electrical system should be checked by a certified electrician. The incoming wires and the compressor electrical connections should be checked. Loose connections will cause malfunctions.
Unit does not make any or very little air	Drain valve open	Make sure the drain valve at the bottom of the tank is closed.
	Air leak	Check the entire system for leaks, including the compressor unit and any piping attached to the compressor
	Restricted or blocked intake	Make sure that the air intake of the compressor is not blocked in any way.

*Continued on next page*

**Troubleshooting Guide for New Installations (Continued)**

SYMPTOM	CAUSE	SOLUTION
Unit runs very noisy	Damage to the compressor	Check to make sure the compressor has not been damaged in the shipping or installation. Make sure the belt guard was not damaged. Belt guard should not be making contact with flywheel or pulley.
	Loose fasteners	Check all bolts and nuts to assure they did not loosen during shipping.
	Loose flywheel or pulley Improper installation	Check to assure pulley and flywheel are correctly tightened. If unit is left on skid it may cause excessive vibration. Remove unit from skid and mount loosely to floor with vibration pads and anchor bolts. Do not tighten bolts tight. Leave nut loose approximately 1/8 inch from compressor foot.
Oil in discharge air or out crankcase breather	Break in period	Some oil in the exhaust air is normal during the break-in period and during heavy usage after the break-in period. Oil discharge should reduce as hours are accumulated on the unit.
	Wrong type of oil	Do not use SAE-30 automotive type oil. Using the wrong oil can cause problems with the pump and will void the warranty. Only use the oils that the operating manual recommends (see Lubrication section).
	Improper environment	Unit should not be installed in a poorly vented area or exposed to extreme cold or hot conditions. Normal operating range should be between 32°F and 100°F.
Compressor seems to run hot	Rotation incorrect	Check to make sure the compressor is running the direction of the flywheel arrow. Air flow should be so that the flywheel directs air across the head of the pump. Standing in front of the compressor (non-belt guard side) air should flow back to front.

## Troubleshooting Guide for Units in Service for a Period of Time

SYMPTOM	CAUSE	SOLUTION
Motor does not run	Loose electrical connections	The entire electrical system should be checked by a certified electrician. The incoming wires and the compressor electrical connections should be checked. Loose connections will cause malfunctions.
	Blown fuse and/or tripped breaker	The breaker and fuses required for this unit must be time delay. A tripped breaker or blown fuse may result from a direct short to ground, high current draw, improper wiring, incorrect fuse or breaker size and/or type. This needs to be evaluated by a service center or certified electrician.
	Starter overload tripped	Check and reset if necessary. If the overload trips after the initial reset, refer to the section of the manual that covers this issue.
	Defective capacitor Defective magnetic starter	Check and replace (if necessary) defective capacitor. First check for any loose wiring and tighten if loose. Check and replace (if necessary) defective magnetic starter.
Motor hums; motor draws high amps, trips overload, trips breaker, or blows fuse on start up	Defective pressure switch unloader	Drain the tank of all pressure. Restart compressor under no load. If compressor is able to start, then the unloader needs to be checked. If this problem is not corrected it will fail the motor and / or other electrical components.
	Defective check valve - constant loss of tank pressure	Determine if the check valve is working properly - pressure switch unloader should quit hissing after the compressor shuts off. If the hissing continues and if there is a constant loss of tank pressure, then the check valve is not working properly. Replace check valve.
	Loose electrical connections	The entire electrical system should be checked by a certified electrician. The incoming wires and the compressor electrical connections should be checked. Loose connections will cause malfunctions.
	Defective capacitor Valve problem or blown gasket	Check and replace (if necessary) defective capacitor. Check gasket and replace as needed. Other symptoms occur when a valve is not sealing or a gasket is blown such as higher than normal amp draw which may trip out the overload or breaker.
Compressor runs but builds pressure slowly	Air leak	Check the entire system for leaks, including the compressor unit and any piping attached to the compressor
	Dirty air filter	Air filters need to be changed regularly based on usage and environment. A dirty filter may appear to be clean. Change filters often.
	Valve problem or blown gasket	Check gasket and replace as needed. Other symptoms occur when a valve is not sealing or a gasket is blown such as higher than normal amp draw which may trip out the overload or breaker.
	Tank cracked	Replace the tank. <b>The unit should not be run under any conditions.</b> Tanks cannot be welded or patched.
Interstage safety valve pops off when the unit is running	Malfunctioning interstage safety valve	Valve problem or blown gasket. High pressure air backflows into the low pressure side of the pump. This is caused by valve leakage or blown gasket.
	Low head bolt torque	Check and retighten head bolts to specified torque.
	Defective interstage safety valve	Replace interstage safety valve. Under no circumstances plug the safety valve port
Oil out breather	Worn rings or scored cylinder	Replace rings and/or replace cylinder.
	Compressor running hot	Make sure compressor is running the correct rotation. Compressor should be clean and in a well ventilated area. Oil should be changed on regular intervals according to the specifications listed in the manual. Air filter must be changed as it gets dirty.

*Continued on next page*



## Troubleshooting Guide for Units in Service for a Period of Time (Continued)

SYMPTOM	CAUSE	SOLUTION
Milky oil in crankcase	Low usage of compressor - water is condensing in the crankcase	Run the compressor continuously for 1 hour. The heat generated during this running period will evaporate the moisture out of the oil.
	Wrong type of oil	Do not use SAE-30 automotive type oil. Using the wrong oil can cause various problems with the pump and will void the warranty. Only use the oils that the operating manual recommends.
	Improper environment	Unit should not be installed in a poorly vented area or exposed to extreme cold or hot conditions. Normal operating range should be between 32°F and 100°F.
	Rotation incorrect	Check to make sure the compressor is running the direction of the flywheel arrow. Air flow should be so that the flywheel directs air across the head of the pump. Standing in front of the compressor (non-belt guard side) air should flow back to front.
	Slight leakage of tank check valve	Air cools and condensates, then leaks back into the pump. Draining tank of air after use will normally take care of this situation.
Pressure switch continually blows air out the unloader valve	Defective check valve	Replace check valve.
Pressure switch does not release air when the compressor shuts off.	Pressure switch unloader not working properly	Drain the tank of all pressure. Restart compressor under no load. If compressor is able to start, then the unloader needs to be checked. If this problem is not corrected it will fail the motor and / or other electrical components.
Compressor will not shut off	Defective pressure switch	Setting too high. If adjusting the setting does not work, replace pressure switch.
	Defective safety valve	Make sure tank pressure gauge is reading correctly and if necessary replace tank safety valve
Unit vibrates excessively	Loose fasteners	This includes mounting bolts for the pump, motor, belt guard, mag. starter, etc. Check for loose fasteners as part of a routine maintenance schedule. Tighten any loose fasteners.
	Loose pulley, loose belt or misalignment or pulleys	The pulley and belt may need to be tightened over time. The pulleys may need to be realigned to assure proper belt wear and lower vibration. These should be checked as part of regular maintenance.
	Defective pump	A defective pump includes knocking or making noises not normal to the pump design. Severe oil out the breather usually indicates ring or cylinder wear. Low pump performance could indicate valve problems. There are numerous symptoms associated with a defective pump. The pump will need to be evaluated.
Water in discharge air	Hot humid weather	During hot and humid weather it is normal to accumulate water in the compressor tank. This is normal and requires frequent draining of tank. We recommend use of an automatic drain along with filters and dryers if this is a problem.
	Water accumulated in the tank	Drain tank of water to prevent tank corrosion and air tool wear. It is recommended use of an automatic drain along with filters and dryer to prevent water into exhaust air of the compressor.

*Continued on next page*

### Troubleshooting Guide for Units in Service for a Period of Time (Continued)

<b>SYMPTOM</b>	<b>CAUSE</b>	<b>SOLUTION</b>
Oil in discharge air	Restricted intake filter	The filter should be changed frequently to avoid possible problems and to make the compressor operation efficient. There is a vacuum created in the intake of the compressor, which causes high oil consumption by pulling oil through the rings. There is also a chance of the intake filter media being destroyed, allowing contaminants to enter the intake and cause wear problems.
	Wrong type of oil	Do not use SAE-30 automotive type oil. Using the wrong oil can cause various problems with the pump and will void the warranty. Only use the oils that the operating manual recommends.
	Worn rings or scored cylinder	Replace rings and/or replace cylinder.
	Compressor running hot	Make sure compressor is running the correct rotation. Compressor should be clean and in a well ventilated area. Oil should be changed on regular intervals according to the specifications listed in the manual. Air filter must be changed as it gets dirty.



---

**Reminder:** *Keep your dated proof of purchase for warranty purposes! Attach it to this manual or file it for safekeeping.*

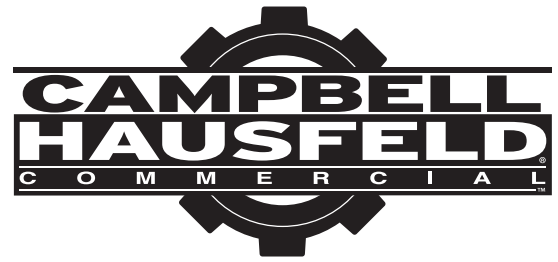
---

## Limited Warranty

1. **DURATION:** The compressor pump and air receiver is warranted for three years from the date of purchase by the original purchaser. The balance of the compressor package is warranted for one year from the date of purchase by the original purchaser.
2. **WHO GIVES THIS WARRANTY (WARRANTOR):** Campbell Hausfeld a Marmon/Berkshire Hathaway Company, 100 Production Drive, Harrison, Ohio, 45030, Telephone: 1-888-606-5587.
3. **WHO RECEIVES THIS WARRANTY (PURCHASER):** The original purchaser (other than for purposes of resale) of the Campbell Hausfeld air compressor.
4. **WHAT PRODUCTS ARE COVERED BY THIS WARRANTY:** Campbell Hausfeld CE7000, CE8000 and CE9000 Series air compressors.
5. **WHAT IS COVERED UNDER THIS WARRANTY:** Parts and Labor to remedy defects in material and/or workmanship with the exceptions noted below.
6. **WHAT IS NOT COVERED UNDER THIS WARRANTY:**
  - A. Implied warranties, including those of merchantability and FITNESS FOR A PARTICULAR PURPOSE ARE LIMITED FROM THE DATE OF ORIGINAL PURCHASE AS STATED IN THE DURATION. Some States do not allow limitations on how long an implied warranty lasts, so the above limitations may not apply to you.
  - B. ANY INCIDENTAL, INDIRECT, OR CONSEQUENTIAL LOSS, DAMAGE, OR EXPENSE THAT MAY RESULT FROM ANY DEFECT, FAILURE, OR MALFUNCTION OF THE CAMPBELL HAUSFELD PRODUCT. Some States do not allow the exclusion or limitations of incidental or consequential damages, so the above limitation or exclusion may not apply to you.
  - C. Any failure due to:
    1. Accident or purchaser's abuse
    2. Improper installation
    3. Equipment that has not been operated or maintained in accordance with Campbell Hausfeld's instructions as detailed in the operating manual provided with the compressor.
    4. Equipment that has been repaired or modified without authorization from Campbell Hausfeld.
  - D. Pre-delivery service, i.e. assembly, oil or lubricants, and adjustment.
  - E. The effects of normal wear and tear.
  - F. Gasoline engines and components are expressly excluded from coverage under this limited warranty. The Purchaser must comply with the warranty given by the engine manufacturer which is supplied with the product.
  - G. Equipment that has been damaged in transit.
7. **RESPONSIBILITIES OF WARRANTOR UNDER THIS WARRANTY:** Repair or replace, at Warrantor's option, compressor or component which is defective, has malfunctioned and/or failed to conform within duration of the warranty period. Warranted repairs will be made at the Purchaser's location.
8. **RESPONSIBILITIES OF PURCHASER UNDER THIS WARRANTY:**
  - A. Provide dated proof of purchase and maintenance records.
  - B. Use reasonable care in the operation and maintenance of the products as described in the owner's manual(s).
  - C. Repairs requiring overtime, weekend rates, or anything beyond the standard manufacturer warranty repair labor reimbursement rate.
  - D. Time required for any security checks, safety training, or similar for service personnel to gain access to facility.
  - E. Location of unit must have adequate clearance for service personnel to perform repairs and easily accessible.
9. **WHEN WARRANTOR WILL PERFORM REPAIR OR REPLACEMENT UNDER THIS WARRANTY:** Repair or replacement will be scheduled and serviced according to the normal work flow at the servicing location, and depending on the availability of replacement parts.

This Limited Warranty applies in the U.S., Canada and Mexico only and gives you specific legal rights. You may also have other rights which vary from State to State or country to country.

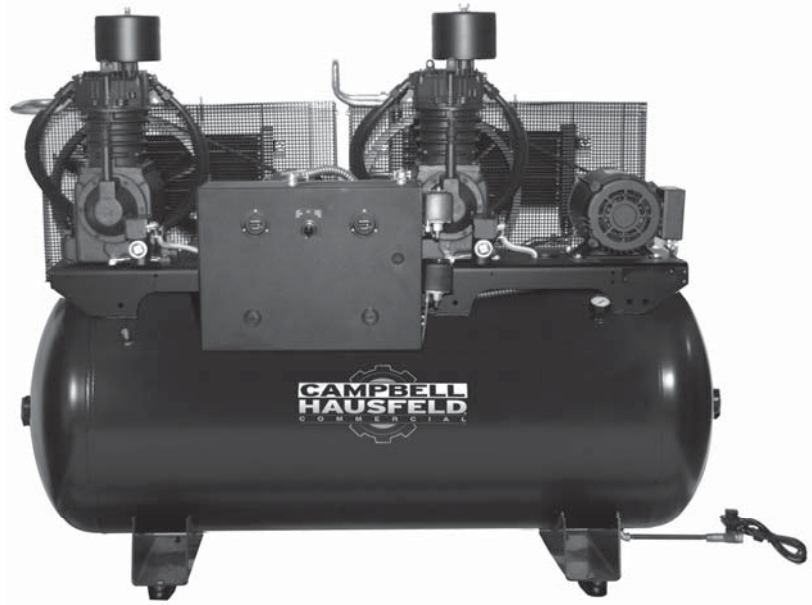
# Compresseurs d'Air Duplex à Deux Étages



## Table des Matières

Introduction ..... F1  
 Directives de sécurité ..... F2  
 Symboles de sécurité ..... F2  
 Information importante de sécurité ... F2  
 Apprendre à connaître  
 votre compresseur ..... F4  
 Déballage ..... F5  
 Installation ..... F5  
 Entretien ..... F10  
 Maintenance ..... F12  
 Guide de dépannage  
 Nouvelles installations ..... F14  
 Unités de service pour une  
 Période de temps ..... F16  
 Garantie Limitée ..... F20

Série CE7200, Série CE8200



## Introduction

Les compresseurs d'air de la série CE de Campbell Hausfeld sont des compresseurs à deux étages, alternatifs lubrifiés à l'huile.

### LES MODÈLES DUPLEX DE LA SÈRIE PNEU ET LUBRIFIANT COMPRENNENT:

- Pompe de compresseur
- Récepteur d'air ASME avec soupape de sûreté
- Moteur électrique
- Démarreur
- Pressostat
- Refroidisseur intermédiaire refroidi à l'air
- Compteur horaire numérique
- Drain de réservoir automatique
- Protecteur de faible niveau d'huile
- Coussinets isolants de vibrations
- Robinet d'arrêt
- Panneau de contrôle de l'alternateur de luxe

### Référence rapide

#### HUILE RECOMMANDÉE (2 OPTIONS)

Huile de compresseur sans détergent à viscosité simple, SAE 30 ISO. Disponible de Campbell Hausfeld, numéro de pièce ST126700AV.

Huile synthétique 10W30 comme Mobil 1®.

#### CAPACITÉ D'HUILE

Série CE7200	1,9 l (2 pintes) [par pompe]
Série CE8200	3,8 l (4 pintes) [par pompe]

### CONSERVER CETTE INFORMATION A TITRE DE REFERENCE

<b>Numéro de Série:</b>
<b>Numéro de Modèle:</b>
<b>Date d'achat:</b>

## Directives De Sécurité

Ce manuel contient de l'information très importante qui est fournie pour la SÉCURITÉ et pour ÉVITER LES PROBLÈMES D'ÉQUIPEMENT. Rechercher les symboles suivants pour cette information.

**▲ DANGER** Danger indique une situation dangereuse imminente qui MÈNERA à la mort ou à des blessures graves si elle n'est pas évitée.

**▲ AVERTISSEMENT** Avertissement indique une situation potentiellement dangereuse qui, si elle n'est pas évitée, POURRAIT mener à la mort ou à de graves blessures.

**▲ ATTENTION** Attention indique une situation potentiellement dangereuse qui, si elle n'est pas évitée, PEUT mener à des blessures mineures ou modérées.

**AVIS** Avis indique de l'information importante qui pourrait endommager l'équipement si elle n'est pas respectée.

**IMPORTANT :** Information qui exige une attention spéciale.

## Symboles De Sécurité

Les symboles de sécurité suivants apparaissent dans l'ensemble de ce manuel pour vous aviser des dangers et précautions importants de sécurité.



Porter une protection oculaire et un masque



Lire le manuel d'abord



Risque d'incendie



Risque de pièces mobiles



Risque de pièces chaudes



Risque d'explosion



Risques de fumées



Risque de pression



Risque de choc

*S'il vous plaît lire et conserver ces instructions. Lire attentivement avant de monter, installer, utiliser ou de procéder à l'entretien du produit décrit. Se protéger ainsi que les autres en observant toutes les instructions de sécurité, sinon, il y a risque de blessure et/ou dégâts matériels! Conserver ces instructions comme référence.*

## Importantes Instructions De Sécurité

Ce manuel contient des informations concernant la sécurité, le fonctionnement et l'entretien. Si vous avez des questions, appeler le 1-888-606-5587 pour le service à la clientèle.

Puisque le compresseur d'air et les autres pièces détachées (pompe, pistolets, filtres, graisseurs, tuyaux, etc.) font partie d'un système de haute pression, il est nécessaire de suivre les précautions suivantes:

### PROPOSITION 65 DE CALIFORNIE

**▲ AVERTISSEMENT** Ce produit ou son cordon peuvent contenir des produits chimiques qui, de l'avis de l'État de Californie, causent le cancer et des anomalies congénitales ou autres problèmes de reproduction. Lavez-vous les mains après la manipulation.

**▲ AVERTISSEMENT** Vous pouvez créer de la poussière en coupant, ponçant, perçant ou meulant les matériaux tels que le bois, la peinture, le métal, le béton, le ciment ou autre maçonnerie. Cette poussière contient souvent des produits chimiques reconnus pour causer le cancer, les déformations congénitales.



## ▲ DANGER

### Avertissement d'Air Respirable

Ce compresseur/pompe n'est pas équipé pour et ne devrait pas être utilisé "comme soi" pour fournir de l'air respirable. Pour les applications d'air pour la consommation humaine, il est nécessaire d'équiper le compresseur d'air/pompe avec de l'équipement de sécurité en canalisation et d'alarme. Cet équipement additionnel est nécessaire pour filtrer et purifier l'air afin d'atteindre les spécifications minimales pour la respiration Grade D décrite dans le Compressed Gas Association Commodity Specification G 7.1, OSHA 29 CFR 1910. 134, and/or Canadian Standards Associations (CSA).

### DÉNÉGATION DES GARANTIES

Si le compresseur est utilisé pour les applications d'air respirable et l'équipement de sécurité en canalisation et d'alarme n'est pas utilisé simultanément, les garanties en existence seront annulées, et Campbell Hausfeld dénie toute responsabilité pour n'importe quelle perte, blessure ou dommage.

### GÉNÉRALITÉS SUR LA SÉCURITÉ

- ◆ Lire attentivement tous manuels compris avec ce produit. Bien se familiariser avec les commandes et l'utilisation correcte de l'équipement.
- ◆ Suivre tous les codes d'électricité et de sécurité locaux ainsi que: National Electrical Codes (NEC) et Occupational Safety and Health Act (OSHA) des É.-U.
- ◆ Seules les personnes bien familiarisées avec ces règles d'utilisation doivent être autorisées à se servir du compresseur.
- ◆ Garder les visiteurs à l'écart de/et NE JAMAIS permettre les enfants dans l'endroit de travail.
- ◆ Utiliser des lunettes de sécurité et la protection auditive pendant l'utilisation du modèle.



## Importantes Instructions De Sécurité (Suite)

- ◆ Ne pas se tenir debout sur/ou utiliser le modèle comme une prise.
- ◆ Inspecter le système d'air comprimé et pièces détachées électriques pour toute indication de dommage, détérioration, faiblesse ou fuites avant chaque utilisation. Réparer ou remplacer toutes pièces défectueuses avant l'utilisation.
- ◆ Inspecter le degré de serrage de toutes attaches par intervalles régulières.

**⚠ AVERTISSEMENT** *Les moteurs, l'équipement et les commandes électriques peuvent causer des arcs électriques qui peuvent allumer un gaz ou une vapeur inflammable. Ne jamais utiliser ou réparer le modèle près d'un gaz ou d'une vapeur inflammable. Ne jamais entreposer les liquides ou gaz inflammables près du compresseur.*



**⚠ AVERTISSEMENT** *Ne jamais utiliser un compresseur sans carter de courroie. Ce modèle peut se démarrer sans avis. Le contact avec les pièces mobiles peut causer des blessures personnelles ou dégâts matériels.*



- ◆ Ne pas porter les vêtements flottants ni la bijouterie qui peuvent se prendre dans les pièces mobiles du modèle.

**⚠ ATTENTION** *Les pièces du compresseur peuvent être chaudes même si le modèle n'est pas en marche.*



- ◆ Garder les doigts à l'écart d'un compresseur qui est en marche; les pièces mobiles et chaudes peuvent causer des blessures et/ou brûlures.
- ◆ Si le compresseur vibre anormalement, ARRÊTER le moteur et l'inspecter immédiatement. La vibration est généralement une indication d'un problème.
- ◆ Pour réduire le risque d'incendie, garder l'extérieur du moteur libre d'huile, de solvant ou de graisse excessive.

**⚠ AVERTISSEMENT** *Pour ce compresseur, c'est indispensable d'installer une soupape de décharge selon les normes de sûreté ASME avec un réglage non supérieur à la Pression Maximale de Service Permises (MAWP) sur la tuyauterie ou le réservoir. La soupape de sûreté ASME doit avoir une classification de débit et de pression suffisante afin de protéger les pièces détachées sous pression contre l'éclatement. La soupape de sûreté dans le refroidisseur ne fournit pas de protection pour le système.*

**⚠ AVERTISSEMENT** *La pression maximale de service est 1 207 kPa (175 psi) pour les compresseurs à deux étages. Ne pas utiliser avec des manostats ou des soupapes qui sont réglés à plus que 1 207 kPa (175 psi) [deux étages].*

- ◆ Ne jamais essayer d'ajuster la soupape de sûreté ASME. Garder la soupape de sûreté libre de peinture et autres accumulations.

**⚠ AVERTISSEMENT** *Ne jamais essayer de réparer ni de modifier un réservoir! Le soudage, le perçage ou autres modifications peuvent affaiblir le réservoir et peut résulter en dommage de rupture ou d'explosion. Toujours remplacer un réservoir usé, fendu ou endommagé.*



### AVIS

*Purger le liquide du réservoir quotidiennement.*

- ◆ L'accumulation d'humidité cause la rouille qui peut affaiblir le réservoir. Purger le réservoir quotidiennement et l'inspecter périodiquement pour la rouille et la corrosion ou autre dommage.
- ◆ L'air mouvante peut agiter la poussière et le débris qui peut être dangereux. Lâcher l'air lentement en purgeant l'humidité ou pendant la dépressurisation du système de compresseur.

### PRÉCAUTIONS DE PULVÉRISATION

**⚠ AVERTISSEMENT** *Ne pas pulvériser les matériaux inflammables dans un endroit de flamme ouverte ni près d'une source d'ignition y compris le compresseur.*



- ◆ Ne pas fumer pendant la pulvérisation de la peinture, d'insecticides ou autres matières inflammables.
- ◆ Utiliser un masque/respirateur pendant la pulvérisation et pulvériser dans un endroit bien aéré pour éviter le risque de blessures et d'incendie.
- ◆ Ne pas diriger la peinture ou autre matériel pulvérisé vers le compresseur. Situer le compresseur aussi loin que possible de l'endroit de pulvérisation pour réduire l'accumulation de surpulvérisation sur le compresseur.
- ◆ Suivre les instructions du fabricant pendant la pulvérisation ou le nettoyage avec des solvants ou produits chimiques toxiques.



### CONSERVER CES INSTRUCTIONS NE LES JETEZ PAS

Les symboles **DANGER**, **AVERTISSEMENT**, **ATTENTION** **ET AVIS** ainsi que les instructions de ce manuel ne peuvent pas couvrir toutes les conditions et situations qui pourraient se produire. L'opérateur doit comprendre que les précautions sont des facteurs qui ne peuvent pas être inclus dans ce produit, mais doivent être fournis par l'opérateur.

## Apprendre à connaître votre compresseur

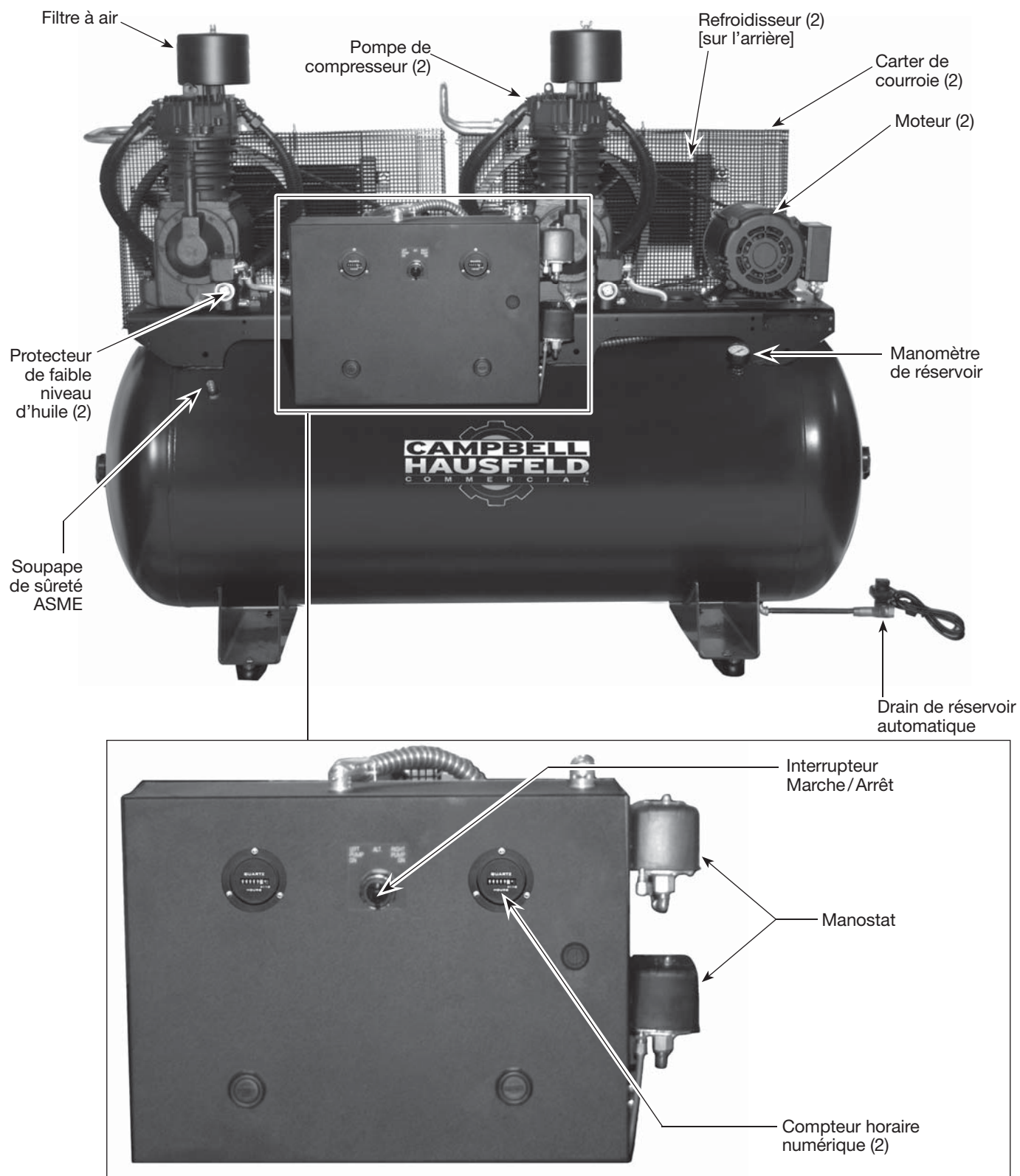


Figure 1 - Compresseur d'air duplex



## Déballage

**⚠ ATTENTION** *Ne pas soulever ni déplacer le modèle sans équipement convenable et s'assurer que le modèle soit bien fixé à l'appareil de levage. Ne pas soulever le modèle avec les tuyaux ou les refroidisseurs. Ne pas utiliser le modèle pour soulever d'autre équipement qui est attaché au compresseur.*

Dès que l'appareil est déballé, l'inspecter attentivement pour tout signe de dommages en transit. Vérifier s'il y a des pièces desserrées, manquantes ou endommagées. Vérifier pour s'assurer que tous les accessoires fournis sont inclus avec l'appareil. Pour toutes questions, pièces endommagées ou manquantes, appeler le 1-888-606-5587 pour le service à la clientèle.

**⚠ AVERTISSEMENT** *Ne pas utiliser un modèle qui a été endommagé pendant le transport, la manipulation ou l'utilisation. Le dommage peut résulter en explosion et peut causer des blessures ou dégâts matériels.*

### AUTRES ARTICLES NON INCLUS

- ◆ Huile

## Installation

**⚠ AVERTISSEMENT** *Débrancher, étiquetter et verrouiller la source de puissance électrique et dissiper toute la pression du système avant d'essayer d'installer, réparer, déplacer ou de procéder à l'entretien du modèle.*



**⚠ ATTENTION** *Ne pas soulever ni déplacer le modèle sans équipement convenable et s'assurer que le modèle soit bien fixé à l'appareil de levage. Ne pas soulever le modèle avec les tuyaux ou les refroidisseurs. Ne pas utiliser le modèle pour soulever d'autre équipement qui est attaché au compresseur.*

**⚠ ATTENTION** *Ne jamais utiliser les palettes d'expédition pour monter le compresseur.*

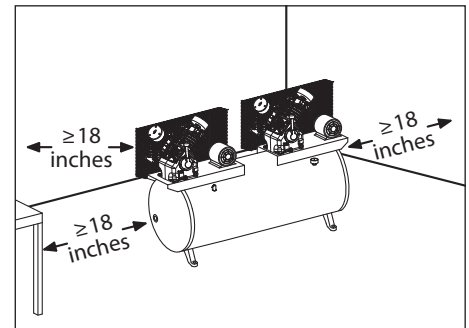


Figure 2 - Emplacement

### CHOISIR L'EMPLACEMENT

Installer et utiliser le modèle au moins de 46 cm d'une obstruction et dans un endroit propre et bien ventilé. La température de l'air dans l'endroit ne devrait pas dépasser 37,8° C. Ceci assure un débit d'air sans obstruction pour refroidir le compresseur et permet de l'espace pour l'entretien.

**⚠ ATTENTION** *Ne pas situer la prise d'air du compresseur près de vapeurs, pulvérisation de peinture, endroits de décapage au sable ou n'importe quelle autre source de contamination.*

**REMARQUE:** Si le compresseur est utilisé dans un endroit chaud et humide, il est nécessaire de fournir le compresseur avec de l'air extérieur propre et sec. Cet air devrait être canalisé d'une source externe.

### MONTAGE DU RÉSERVOIR

Le réservoir devrait être boulonné dans un plancher en béton plat et égal ou sur une fondation en béton séparée. Utiliser des tampons isolateurs entre la jambe du réservoir et le plancher. Les tampons isolateurs MP345800AJ sont recommandés pour les modèles horizontaux. Les coussinets isolants sont inclus avec les modèles complets.

**Ne pas trop serrer les boulons** en utilisant les tampons isolateurs afin de permettre que les tampons absorbent les vibrations. Un tuyau ou raccord flexible doit être installé entre le réservoir et la tuyauterie de service.

**⚠ AVERTISSEMENT** *Manque d'installer le réservoir correctement peut causer des fentes aux joints soudés et la possibilité d'éclatement.*

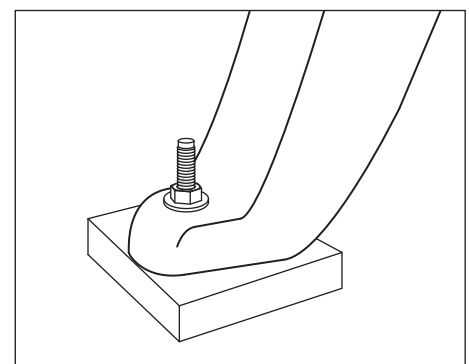


Figure 3 - Coussinet isolant

## Installation (Suite)

### TUYAUTERIE

**▲ AVERTISSEMENT** *Ne Jamais utiliser les tuyaux en plastique (CPV) pour l'air comprimé. Ceci peut résulter en blessures graves ou perte de vie.*

N'importe quel tube, tuyau ou tuyau flexible branché au modèle doit pouvoir résister la température qui est produit et doit conserver la pression. Tous les composants sous pression du système d'air doivent avoir une valeur nominale de pression de 1 379 kPa (200 psi) ou plus. La sélection ou l'installation incorrecte de n'importe quel tube, tuyau ou tuyau flexible peut résulter en éclatement et en blessures. Brancher le système de tuyauterie au réservoir en utilisant un raccord de même taille que celui de l'orifice de décharge.

### INSTALLATION D'UNE SOUPE D'ARRÊT

Une soupape d'arrêt devrait être installée sur l'orifice de décharge du réservoir pour régler le débit d'air du réservoir. La soupape devrait être située entre le réservoir et le système de tuyauterie.

**▲ AVERTISSEMENT** *Ne jamais installer une soupape d'arrêt entre la pompe du compresseur et le réservoir. Ceci peut résulter en blessures personnelles et/ou dommage à l'équipement. Ne jamais utiliser un appareil de réduction dans le tuyau flexible de refoulement.*

Pour un système d'installation permanent pour la distribution d'air comprimé, calculer la longueur du système et choisir la taille du tuyau selon le tableau. Enterrer les lignes souterraines sous le niveau de gélée et éviter les poches où la condensation pourrait s'accumuler et geler.

Appliquer la pression d'air à la tuyauterie et assurer que toutes les jointures sont sans fuites AVANT de couvrir les lignes souterraines. Rechercher et réparer toutes les fuites dans les tuyaux et raccords avant d'utiliser le compresseur.

### INSTALLATION DE FILS

**▲ AVERTISSEMENT** *Tout le câblage et les connexions électriques doivent être exécutés par un électricien qualifié au courant des contrôles à moteurs industriels. L'installation doit conformer aux codes locaux et nationaux.*

**▲ AVERTISSEMENT** *Un câblage inadéquat mènera à la surchauffe, les court-circuits et les dommages d'incendie.*

L'installation de fils doit conformer aux National Electrical Code et aux codes et règlements locaux concernant les appareils électriques et l'installation de fils. Consulter avec et observer ceux-ci. Utiliser la taille correcte de fil et assurer que:

1. L'ampérage du service soit suffisant.
2. La ligne d'alimentation corresponde au moteur (tension, cycles et phase).
3. La taille du fil de ligne est correcte et qu'il n'y a pas d'autre équipement qui fonctionne sur la même ligne. Le tableau indique la taille minimum de fil pour les installations de compresseurs.

### TAILLE DE TUYAU MINIMUM POUR CANALISATION D'AIR COMPRIMÉ

m <sup>3</sup> /min	Longueur Du Système			
	7,62 m	15,24 m	30,48 m	76,2 m
10	12,7 mm	12,7 mm	19,1 mm	19,1 mm
20	19,1 mm	19,1 mm	19,1 mm	2,54 cm
40	19,1 mm	2,54 cm	2,54 cm	2,54 cm
60	19,1 mm	2,54 cm	2,54 cm	2,54 cm
100	2,54 cm	2,54 cm	2,54 cm	3,18 cm



Figure 4 - Soupape d'arrêt

### TAILLE DE FIL MINIMUM UTILISER LE FIL EN CUIVRE 75°C

S'assurer que la tension est correcte avec le câblage du moteur.

**REMARQUE:** Si l'on utilise une monophasé de 208 volts, s'assurer que la plaque signalétique du moteur indique une valeur nominale de 208 volts en monophasé. Les moteurs monophasés de 230 volts ne fonctionnent pas à 208 volts à moins que ce ne soit une valeur de 208 volts.

HP	AMPS	Monophasé		Triphasé	
		230V	208/230V	460/575V	
10.0		N/A	8 AWG	12 AWG	
15.0		N/A	6 AWG	10 AWG	

*Les tailles de fils recommandées peuvent être plus larges que la configuration minimum des ordonnances locales. Si c'est le cas, utiliser le fil d'une taille plus large pour prévenir toute chute de tension excessive sur la ligne. Le coût supplémentaire du fil est très petit comparativement au coût de réparation ou de remplacement d'un moteur « épuisé » électriquement par l'utilisation de fils d'alimentation trop petits.*

## Installation (Suite)

### MISE À LA TERRE



**AVERTISSEMENT** *Les composantes électriques qui ne sont pas correctement mise à la terre tiennent le risque de secousse électrique. S'assurer que toutes les pièces soient mise à la terre correctement pour éviter les blessures personnelles ou la perte de vie.*



Ce produit **doit** être mise à la terre pour diminuer le risque de secousse électrique en fournissant un fil d'échappement s'il y arrive un court-circuit. Ce produit doit être installé avec et utilisé avec un cordon d'alimentation qui a un fil de terre.

### DISJONCTEURS ET FUSIBLES

Tout le système électrique doit être vérifié par un électricien agréé. Des fusibles et disjoncteurs à retardement sont nécessaires pour ce compresseur. Un fusible grillé ou un disjoncteur déclenché peut indiquer un court-circuit direct à la terre, un tirage élevé de courant, un mauvais câblage, un fusible ou un disjoncteur de mauvaise taille et/ou type. Ceci doit être évalué par un électricien agréé.

### BRANCHEMENT DU MOTEUR ET INSTALLATION DU DÉMARREUR

La protection de branchement doit être fournie selon le code des États-Unis; National Electrical Code, Chapter 2, "Wiring Design and Protection." Article 210, dans l'article "For Motors and Motor Controllers," (Article 430, Table 430-1 52).

**IMPORTANT:** La protection contre les surcharges est exigée pour tous les moteurs.

Les moteurs utilisés pour les compresseurs d'air de séries CE8000 n'ont pas de protection de surcharge intégrée. Un démarreur magnétique est requis. Tous les compresseurs de série CE, sauf les modèles CE8000 et CE8002, incluent un démarreur magnétique. Se reporter aux diagramme de câblage pour l'installation électrique.

### SENS DE ROTATION

**REMARQUE:** La rotation incorrecte peut diminuer la durée du modèle.

Le sens de rotation doit être dans le sens contraire des aiguilles d'une montre (indiquée par une flèche sur le volant dans Figure 5) quand vous êtes en face du volant. La plaque indicatrice du moteur indique l'information pour l'installation des fils pour la rotation au sens contraire des aiguilles d'une montre.

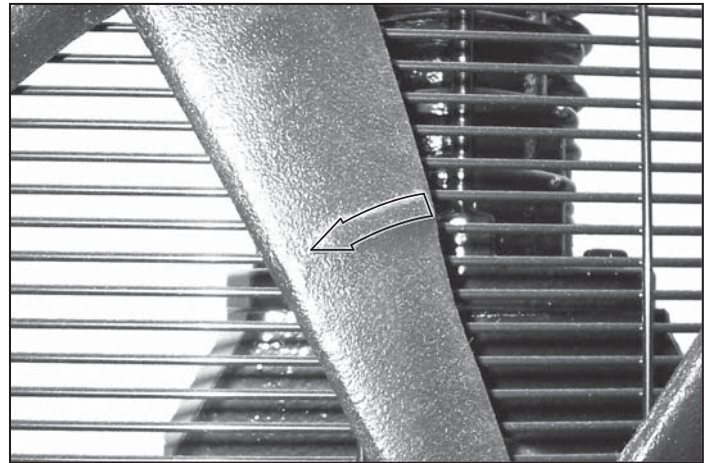
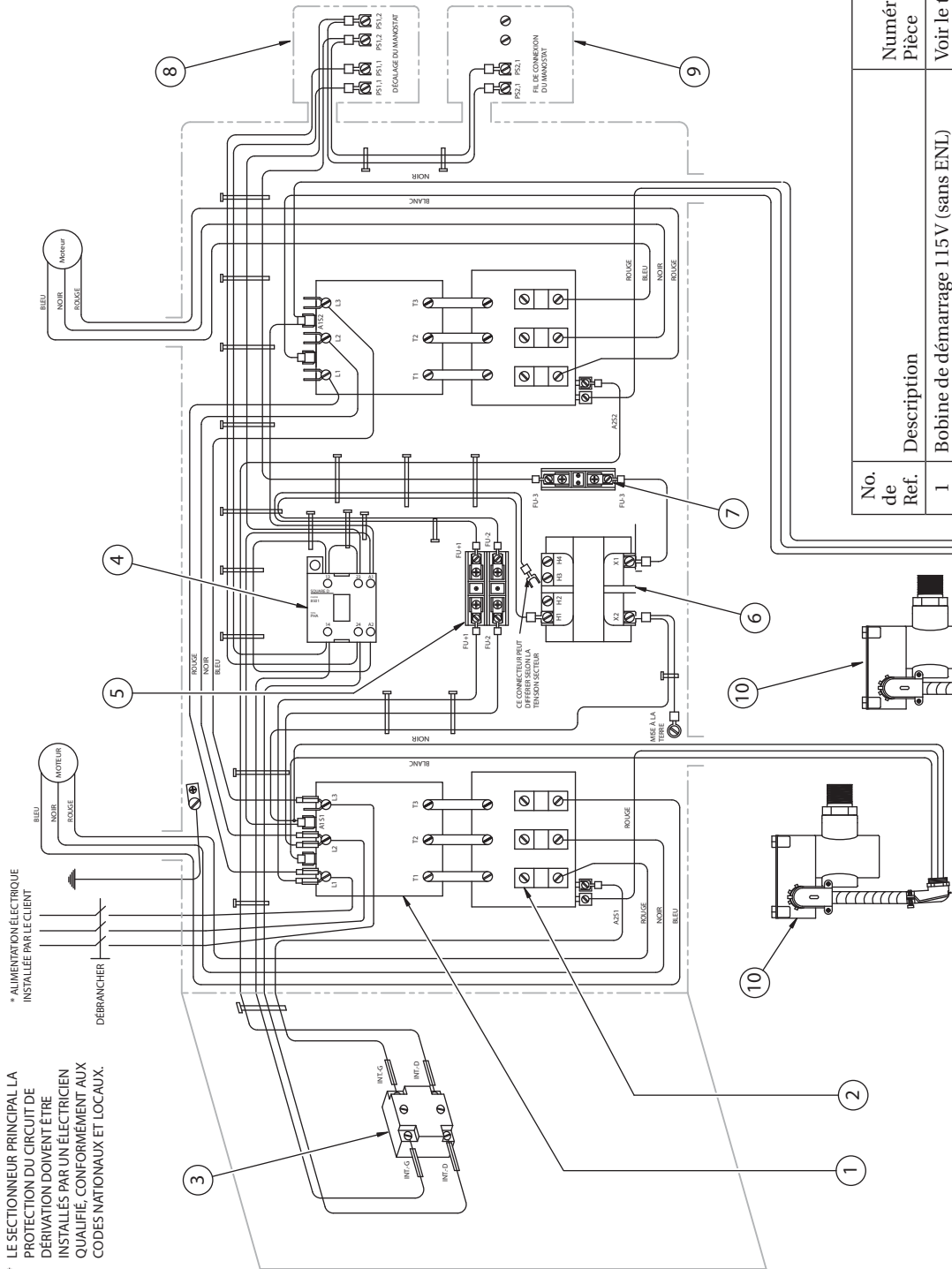


Figure 5 - Direction de rotation

La direction correcte est très importante. Le sens de rotation pour un moteur triphasé peut être inversé en échangeant deux fils. Pour moteurs monophasés, se référer à la plaque indicatrice du moteur.

Installation (Suite)



\* LE SECTIONNEUR PRINCIPAL LA PROTECTION DU CIRCUIT DE DÉRIVATION DOIVENT ÊTRE INSTALLÉS PAR UN ÉLECTRICIEN QUALIFIÉ, CONFORMÉMENT AUX CODES NATIONAUX ET LOCAUX.

\* ALIMENTATION ÉLECTRIQUE INSTALLÉE PAR LE CLIENT

DÉRANCHER

No. de Ref.	Description	Numéro de Pièce	Qté.
1	Bobine de démarrage 115V (sans ENL)	Voir le tableau	2
2	Surcharge de réchauffeur	Voir le tableau	--
3	Sélecteur	SV141000AV	1
4	Alternateur de 120 V	SV140500AV	1
5	Bloc fusibles avec dispositif de rejet à 2 pôles	SV140600AV	1
6	Transformateur 50 VA 230/460-120	SV140700AV	1
7	Bloc fusibles avec dispositif de rejet à 1 pôle	SV141500AV	1
8	Pressostat 1207 -931 kPa (avec UL)	CW207561AV	1
9	Pressostat 1069 - 793 kPa	SV140800AV	1
10	Montage du contacteur de niveau d'huile	TF062300AV	2

Numéro de pièce	Ref. N°1	Ref. N°2	Qté (Ref. N°2)
CE8201FP	SV140400AV	PS005551AV	6
CE8203FP	SV141600AV	PS005556AV	6
CE7252FP	SV141300AV	PS005550AV	2
CE7253FP	SV141400AV	PS005549AV	6
CE7205FP	SV141100AV	PS005554AV	2
CE7206FP	SV141200AV	PS005550AV	6

Chart 1

Figure 6 - Diagramme de câblage

## Installation (Suite)

### GRAISSAGE

**⚠ ATTENTION** *CE MODÈLE NE CONTIENT PAS D'HUILE. Avant d'utiliser le compresseur. Remplir au centre de la jauge visuelle (voir la figure 7).*

**⚠ ATTENTION** *L'utilisation d'un autre type d'huile pourrait raccourcir la durée de la pompe et endommager les soupapes.*

#### Huile recommandée (2 options)

- Huile de compresseur sans détergent à viscosité simple, SAE 30 ISO100. Disponible de Campbell Hausfeld, numéro de pièce ST126700AV.
- 1Huile synthétique 10W30 comme Mobil 1®.

#### Capacité d'huile

Série CE7000 ..... 1,9 l (2 pintes) [par pompe]

Série CE8000 ..... 3,8 l (4 pintes) [par pompe]

Remplir la pompe d'huile au centre de la jauge visuelle en utilisant l'ouverture de remplissage d'huile (voir la figure 7). **NE PAS remplir la pompe jusqu'à l'ouverture du bouchon de reniflard, car ceci pourrait mener à une fuite d'huile et une pulvérisation vers l'extérieur durant l'utilisation.**

Les modèles de compresseurs de série automobile incluent un protecteur de faible niveau d'huile. Ce dispositif surveille le niveau d'huile du carter et arrêtera le compresseur si le niveau d'huile est trop bas. Consulter le manuel distinct de protecteur de faible niveau d'huile pour des instructions complètes d'utilisation.

**REMARQUE:** Il pourrait y avoir des résidus d'huile dans la pompe des tests en usine laissant une mince couche sur la jauge visuelle, mais il n'y a pas assez d'huile pour faire fonctionner l'unité.

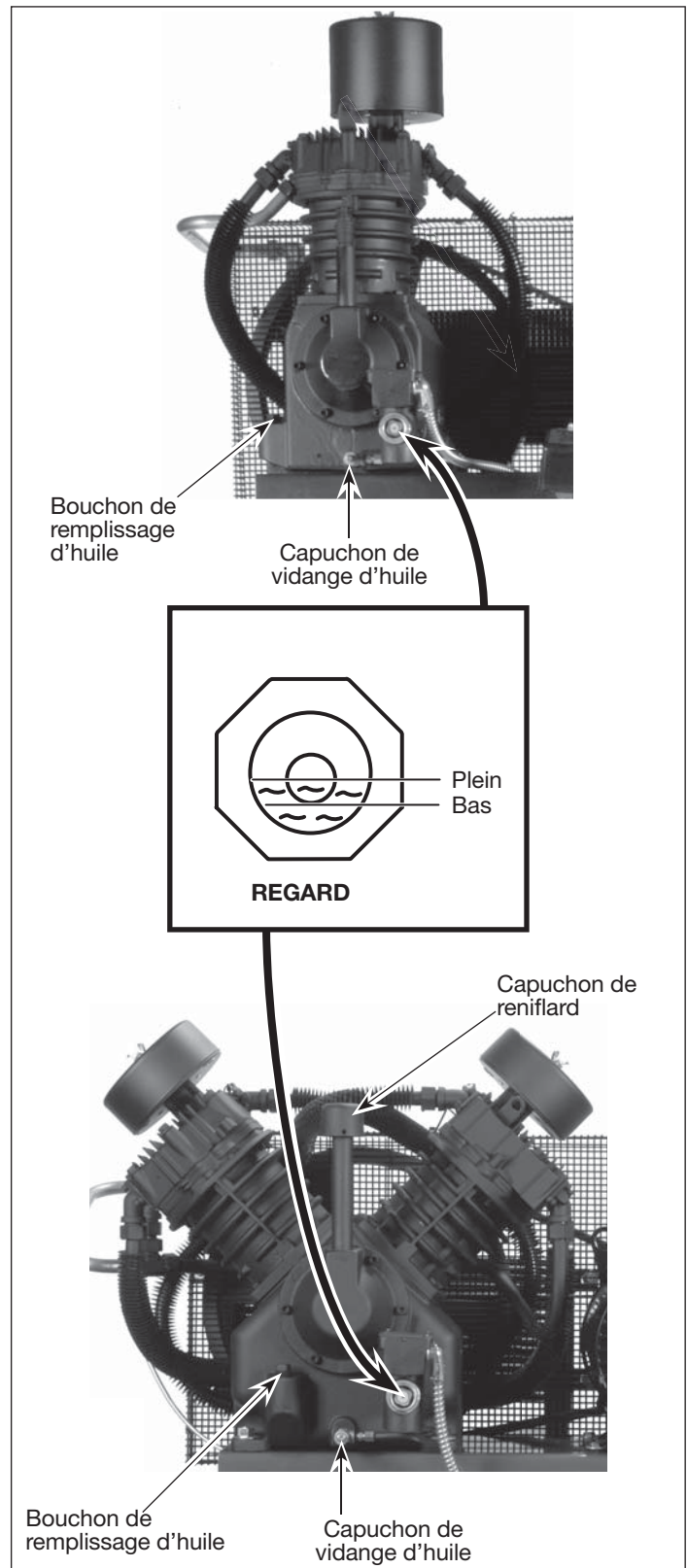


Figure 7

## Fonctionnement

**IMPORTANT:** Vérifier la rotation du moteur avant d'utiliser le compresseur.

Toutes les pompes de compresseur graissées débitent un peu d'humidité et d'huile avec l'air comprimé. Installer l'équipement pour l'enlèvement d'eau / huile et commandes convenables à l'application.

### AVIS

*Manque d'installer l'équipement pour l'enlèvement d'eau/huile peut endommager les machines ou l'objet de travail.*

### CARTERS

#### ▲ AVERTISSEMENT

*Le carter de courroie fournit doit être installé avant l'utilisation du modèle.*



Toutes les pièces mobiles doivent être protégées. Tous les couvercles électriques doivent être installés avant de mettre en circuit.

### RODAGE RECOMMANDÉ

Le compresseur doit fonctionner pour une heure continuellement afin de permettre l'ajustage des segments de piston.

1. Ouvrir le robinet de purge et faire fonctionner le compresseur pour 60 minutes.
2. Mettre le compresseur hors circuit et fermer le robinet de purge. Le compresseur est maintenant prêt à utiliser.

### SYSTÈME ALTERNATIF EN DUPLEX

Ce compresseur possède un système alternatif avec une seule entrée de puissance. Ce système distribue uniformément la charge de travail entre les deux unités de moteur / pompe. Si la pression du système tombe en dessous de 862 kPa (125 psi), les deux unités de moteur / pompe démarrent. Lorsque la pression du réservoir dépasse les 1069 kPa (155 psi), une unité de moteur / pompe s'éteint. C'est l'unité de moteur / pompe qui démarrera en premier lorsque le réservoir aura ensuite besoin d'une pression de 1207 kPa (175 psi). Si la pression d'air dans le réservoir descend en dessous de 1000 kPa (145 psi), mais reste supérieure à 861 kPa (125 psi), une seule unité de moteur / pompe fonctionnera. Les unités de moteur / pompe se relaieront pour la pressurisation du réservoir de telle manière que l'unité de moteur / pompe qui a été la plus longtemps inactive, pressurise le réservoir.

### MANOSTAT DÉMARRAGE - ARRÊT

**REMARQUE:** La pression de service maximale du compresseur est 1 207 kPa (175 psi) pour les compresseurs à deux étages. Ne pas altérer les réglages de pression sur les pièces de commandes afin qu'ils dépassent cette limite.

Le manostat contient un réducteur de puissance consistant en une petite vanne laissant échapper l'air pour permettre au moteur de démarrer facilement.

La soupape de décharge du pressostat devrait siffler pendant un certain temps lorsque le compresseur s'éteint. Ceci dégage la hauteur de charge et le tube d'échappement de toute pression et permet au compresseur de démarrer sans charge. Puisque les compresseurs ont un couple de démarrage élevé, il faut la décharge pour un démarrage approprié du compresseur.

Le clapet de non-retour est un clapet d'une direction qui conserve l'air dans le réservoir lorsque l'appareil est éteint. Le moyen le plus facile pour déterminer si le clapet de non-retour fonctionne correctement est de s'assurer que la décharge de pressostat cesse de siffler après que le compresseur s'éteint. Ce sifflement devrait durer quelques secondes, puis s'arrêter.

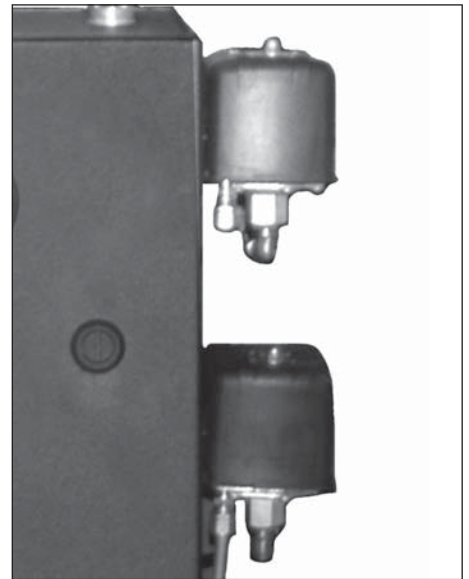


Figure 8 - Pressostat

## Fonctionnement (Suite)

### RENIFLARD DU CARTER

Un peu d'huile peut s'accumuler à l'ouverture du reniflard du carter pendant les conditions de fonctionnement sévères ou pendant le premier démarrage. Ceci est normal et diminuera après le rodage et une fois que les segments de piston soient ajustés.

### VIDANGE DU RESERVOIR

Le condensat doit être vidé du réservoir chaque jour. Les modèles duplex de la série pneu et lubrifiant comprennent un dispositif de vidange automatique de réservoir qui doit être installé (voir Figure 10). Se reporter aux instructions fournies avec le drain automatique.

### SÉLECTEUR DE CIRCUIT

**IMPORTANT:** Ne pas remplacer le sélecteur de circuit avec un tuyau en T ou une section de tuyau.

La conduite sur le compresseur comprend un sélecteur de circuit entre la soupape de décharge du pressostat et les deux clapets de non-retour dans le réservoir. Ce sélecteur de circuit empêche la pression du tube d'un compresseur de refluer dans le compresseur qui ne fonctionne pas. Le retour d'air sous pression dans la conduite de décharge du compresseur inactif peut endommager la pompe et le moteur.

### CYCLE DE SERVICE

Chaque pompe sur ce compresseur est conçue pour fonctionner jusqu'à 75% du temps. Un fonctionnement à long terme ou pour une durée de plus de 75% du temps pourrait diminuer la durée de vie de la pompe et du moteur.

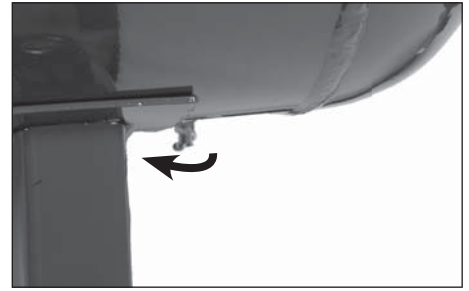


Figure 9 - Drain de réservoir manuel



Figure 10 - Drain de réservoir automatique

## Entretien

**⚠ AVERTISSEMENT** *Débrancher, étiqueter, verrouiller la source de puissance et ensuite dissiper toute la pression du système avant d'essayer d'installer, réparer, déplacer ou de procéder à l'entretien.*



Vérifier le filtre à air et le niveau d'huile avant chaque utilisation afin de garder le système de compresseur en bon état de marche. Inspecter la soupape de sûreté ASME quotidiennement (Voir la Figure 11). Tirer sur la bague de la soupape de sûreté et la laisser revenir à sa position normale. Cette soupape laisse échapper de l'air automatiquement si la pression dans le réservoir dépasse la pression maximale réglée d'avance. Remplacer la soupape de sûreté ASME s'il y a une fuite d'air une fois que la soupape soit lâchée ou si la soupape est grippée.

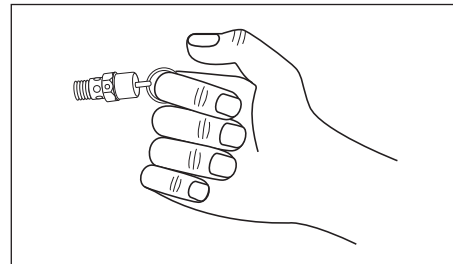


Figure 11 - Soupape de sûreté ASME

**⚠ AVERTISSEMENT** *Ne pas toucher la soupape de sûreté ASME.*

### RÉSERVOIR

**⚠ AVERTISSEMENT** *Ne jamais essayer de réparer ou d'altérer un réservoir! Le soudage, perçage ou n'importe quelle autre modification peut affaiblir le réservoir et peut résulter en rupture ou en explosion. Toujours remplacer les réservoirs usés, fendus ou endommagés.*



### AVIS

*Purger le réservoir quotidiennement.*

Le réservoir doit être inspecté soigneusement au moins une fois par année. Vérifier pour des fissures près des soudures. S'il y a une fissure, dissiper la pression du réservoir et le remplacer immédiatement.



Figure 12 - Filtre d'air

### GRAISSAGE DU COMPRESSEUR

Voir la section de Fonctionnement. Ajouter de l'huile si nécessaire. Changer l'huile chaque trois mois ou après chaque 500 heures d'opération, selon laquelle arrive en premier.

Si le compresseur est utilisé sous les conditions humides pour durées courtes, l'humidité peut se condenser dans le carter et l'huile peut paraître crémeuse. L'huile qui est contaminée avec de l'eau condensée ne fournit pas de lubrification suffisante et doit être remplacée immédiatement. L'utilisation de l'huile contaminée peut endommager les roulements, pistons, cylindres et bagues et n'est pas couverte par la garantie. Pour éviter la condensation d'eau dans l'huile, il est nécessaire de faire fonctionner le compresseur à 1 034 kPa (150 psi) pour les compresseurs à deux étages ou 827 kPa (120 psi) pour les compresseurs à une étage en ouvrant le robinet de purge ou une soupape d'air qui est branchée au réservoir ou à un tuyau. Faire fonctionner la pompe pendant une heure au moins une fois par semaine ou plus souvent si la condensation se manifeste.

**IMPORTANT:** Changer l'huile après les premières 50 heures de fonctionnement.

### FILTRE À AIR

Ne jamais utiliser le compresseur sans un filtre à air d'admission ou avec un filtre à air d'admission obstrué. L'élément du filtre d'air doit être vérifié chaque mois (voir la figure 12). L'utilisation d'un compresseur avec un filtre sale peut augmenter la consommation d'huile et peut augmenter la contamination d'huile dans l'air. Si le filtre d'air est sale, il faut le remplacer.

### REFROIDISSEUR (COMPRESSEURS À DEUX ÉTAGES SEULEMENT)

**⚠ ATTENTION** *Les ailettes du refroidisseur sont pointues, toujours porter des gants et prendre précaution pendant le nettoyage du refroidisseur ou si vous travaillez près du refroidisseur.*



## Entretien (Suite)

Vérifier le serrage de tous les raccords du refroidisseur chaque semaine. Nettoyer la saleté, la poussière et toutes autres accumulations des ailettes du refroidisseur.

### PIÈCES D'ÉTACHÉES

Couper tout courant et nettoyer la tête du cylindre, le moteur, les lames du ventilateur, les conduites d'air, le refroidisseur et le réservoir chaque mois.

### COURROIES

**⚠ AVERTISSEMENT** *Mettre hors circuit et étiqueter la source de puissance et dissiper toute pression du réservoir pour éviter le mouvement inattendu du modèle.*

Vérifier la rigidité des courroies chaque 3 mois. Ajuster la rigidité des courroies afin de permettre une déflexion de 0,9 cm à 1,2 cm avec pression du pouce normale. Aligner les courroies en utilisant une limande contre la face du volant et en touchant le limbe sur les deux bords de la face. Les courroies devraient être parallèles à la limande (Voir la Figure 13). Dimension A devrait être la même que B et C pour assurer l'alignement correct des courroies.

Des fentes dans la plaque permettent que le moteur glisse en avant et en arrière pour ajuster la tension de la courroie.

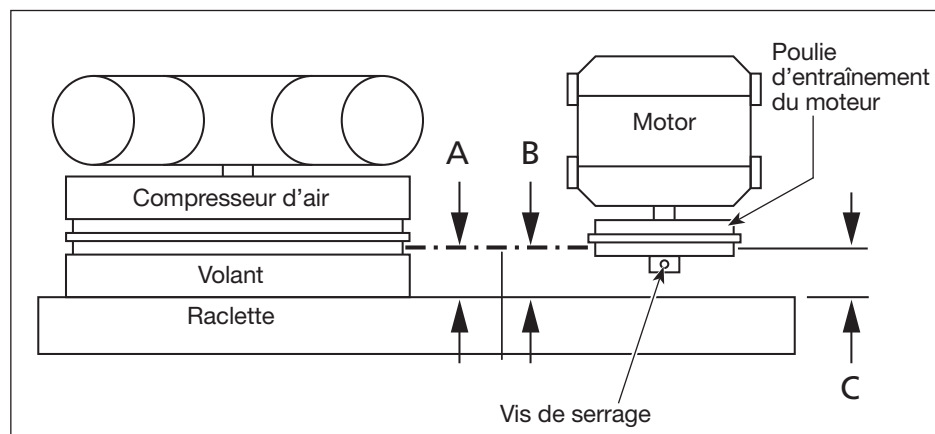


Figure 13 - Vue du dessus

### HORAIRE D'ENTRETIEN

Fonctionnement	Quotidiennement	Mensuellement	3 Mois
Vérifier la soupape de sûreté	●		
Purger le réservoir (Voir la Figure 9 et 10)	●		
Vérifier le niveau d'huile	●		
Nettoyer ou changer le filtre à air		●	
Vérifier le refroidisseur		●	
Nettoyer les pièces du modèle		●	
Vérifier le serrage de la courroie			●
Changer l'huile (Voir la Figure 7)			●

## Guide de dépannage pour les nouvelles installations

SYMPTÔME	CAUSE(S) POSSIBLE(S)	ACTION CORRECTIVE
L'appareil ne dépasse pas - le moteur fait du bruit	Courant insuffisant au compresseur	La source d'électricité au compresseur est soit de la mauvaise tension, le fil est d'une taille insuffisante pour transporter la charge, la boîte de fusibles ou la boîte du disjoncteur est insuffisante pour répondre aux exigences de transport de charge au compresseur.
	L'appareil est câblé incorrectement	Tout câble autre que ce qui est indiqué dans le manuel pourrait mener à un mauvais fonctionnement (voir la section de câblage).
	Mauvaise tension fournie à l'appareil	S'assurer que la tension est correcte avec le câblage du moteur (voir la section de câblage).
	Connexions électriques délogées	Tout le système électrique doit être vérifié par un électricien agréé. Les câbles d'entrée et les connexions électriques du compresseur devraient être vérifiés. Les connexions desserrées provoqueront de mauvais fonctionnements.
	Mauvaise taille de câblage.	Vérifier que la taille du câble a une valeur pour le courant du compresseur. Les codes d'état et locaux varient beaucoup et doivent être vérifiés avant l'installation.
	Fusible grillé et/ ou disjoncteur déclenché	Le disjoncteur et les fusibles requis pour cet appareil doivent être à retardement. Un fusible grillé ou un disjoncteur déclenché peut indiquer un court-circuit direct à la terre, un tirage élevé de courant, un mauvais câblage, un fusible ou un disjoncteur de mauvaise taille et/ou type. Ceci doit être évalué par un centre de service ou un électricien agréé.
	Surcharge de démarreur déclenchée	Vérifier et réinitialiser, au besoin. Si la surcharge se déclenche après la réinitialisation initiale, se reporter à la section de ce manuel qui couvre ce problème.
Faible niveau d'huile	Les appareils dotés d'un protecteur de faible niveau d'huile doivent avoir le bon niveau d'huile pour fonctionner. Si le niveau d'huile est bas, il faut en ajouter. Débrancher le compresseur pour réinitialiser le relais pour l'interrupteur de faible niveau d'huile (voir la section de lubrification).	
L'unité ne démarre pas - le moteur fait du bruit	L'appareil est câblé incorrectement	Tout câble autre que ce qui est indiqué dans le manuel pourrait mener à un mauvais fonctionnement (voir la section de câblage).
	Mauvaise tension	S'assurer que la tension est correcte avec le câblage du moteur (voir la section de câblage).
	Connexions électriques délogées	Tout le système électrique doit être vérifié par un électricien agréé. Les câbles d'entrée et les connexions électriques du compresseur devraient être vérifiés. Les connexions desserrées provoqueront de mauvais fonctionnements.
Le bouton de réinitialisation du moteur se déclenche ou la réinitialisation se déclenche au démarrage	L'appareil est câblé incorrectement	Vérifier la tension, la taille du câblage, etc. Ce problème doit être évalué et corrigé (voir la section du câblage).
	Mauvaise tension	S'assurer que la tension est correcte avec le câblage du moteur (voir la section de câblage).
	Mauvaise taille de câblage.	Vérifier que la taille du câble a une valeur pour le courant du compresseur. Vérifier que la taille du câble a une valeur pour le courant du compresseur. Les codes d'état et locaux varient beaucoup et doivent être vérifiés avant l'installation.

Suite à la page suivante

## Guide de dépannage pour les nouvelles installations (suite)

SYMPTÔME	CAUSE(S) POSSIBLE(S)	ACTION CORRECTIVE
L'appareil démarre, mais n'atteint pas sa pleine vitesse	Courant insuffisant au compresseur	La source d'électricité au compresseur est soit de la mauvaise tension, le fil est d'une taille insuffisante pour transporter la charge, la boîte de fusibles ou la boîte du disjoncteur est insuffisante pour répondre aux exigences de transport de charge au compresseur.
	Connexions électriques délogées	Tout le système électrique doit être vérifié par un électricien agréé. Les câbles d'entrée et les connexions électriques du compresseur devraient être vérifiés. Les connexions desserrées provoqueront de mauvais fonctionnements.
L'appareil ne produit pas ou produit très peu d'air	Soupape de purge ouverte Fuite d'air	S'assurer que le robinet de vidange au bas du réservoir est fermé. Vérifier tout le système pour tout signe de fuites, incluant le compresseur et toute tuyauterie rattachée au compresseur.
	Aspiration d'air limitée ou bloquée	S'assurer que l'alimentation d'air du compresseur n'est bloquée d'aucune façon.
L'appareil fonctionne bruyamment	Dommages au compresseur	Vérifier pour s'assurer que le compresseur n'a pas été endommagé dans l'expédition ou l'installation. S'assurer que le protecteur de courroie n'est pas endommagé. Le protecteur de courroie ne doit pas être en contact avec le volant ou la poulie.
	Attaches desserrées	Vérifier tous les boulons et écrous pour s'assurer qu'ils ne se sont pas desserrés dans l'expédition.
	Volant ou poulie desserré(e)	Vérifier pour s'assurer que la poulie ou le volant sont bien resserrés.
	Mauvaise installation	Si l'appareil est laissé sur le patin, cela pourrait provoquer des vibrations excessives. Retirer l'appareil du patin et le monter sans resserrer sur le plancher avec les coussinets de vibrations et les boulons d'ancrage. Ne pas resserrer les boulons complètement. Laisser l'écrou desserré d'environ 3,2 mm (1/8 po) du pied du compresseur.
De l'huile dans l'air de décharge ou hors du reniflard du carter	Période de rodage	Un peu d'huile dans l'air d'échappement est normal durant la période de rodage et durant les périodes d'utilisation lourde après la période de rodage. La décharge d'huile devrait être réduite avec l'accumulation d'heures d'utilisation de l'appareil.
	Mauvais type d'huile	Ne pas utiliser d'huile de type automobile SAE-30. Utiliser la mauvaise huile peut causer des problèmes de pompe et annulera la garantie. Utiliser seulement des huiles recommandées dans le manuel d'utilisation (voir la section lubrification).
	Mauvais environnement	L'appareil ne doit pas être installé dans un endroit mal ventilé ou exposé à des conditions d'extrême chaleur ou froid. La plage d'exploitation normale doit être entre 0 et 37 °C (32 et 100°F).
Le compresseur semble tourner à chaud	Rotation incorrecte	Vérifier pour s'assurer que le compresseur tourne dans la direction de la flèche du volant. La circulation d'air devrait permettre au volant de diriger l'air à travers la tête de pompe. Debout devant le compresseur (non pas du côté du protecteur de courroie), l'air devrait revenir vers l'avant.

## Guide de dépannage pour les unités en service pendant une période de temps

SYMPTÔME	CAUSE(S) POSSIBLE(S)	ACTION CORRECTIVE
Le moteur ne démarre pas	Connexions électriques délogées	Tout le système électrique doit être vérifié par un électricien agréé. Les câbles d'entrée et les connexions électriques du compresseur devraient être vérifiés. Les connexions desserrées provoqueront de mauvais fonctionnements.
	Fusible grillé et/ ou disjoncteur déclenché	Le disjoncteur et les fusibles requis pour cet appareil doivent être à retardement. Un fusible grillé ou un disjoncteur déclenché peut indiquer un court-circuit direct à la terre, un tirage élevé de courant, un mauvais câblage, un fusible ou un disjoncteur de mauvaise taille et/ou type. Ceci doit être évalué par un centre de service ou un électricien agréé.
	Surcharge de démarreur déclenchée.	Vérifier et réinitialiser, au besoin. Si la surcharge se déclenche après la réinitialisation initiale, se reporter à la section de ce manuel qui couvre ce problème.
	Condensateur défectueux.	Vérifier et remplacer (si nécessaire) le condensateur défectueux.
Le moteur ronfle, le moteur tire une forte intensité, il y a déclenchement de surcharge, déclenchement du disjoncteur ou fusible grille au démarrage	Décharge de pressostat défectueux	Drainer le réservoir de toute pression. Redémarrer le compresseur sans charge. Si le compresseur peut démarrer, alors la décharge doit être vérifiée. Si ce problème n'est pas corrigé, le moteur et/ou d'autres composants électriques auront des problèmes.
	Clapet de non-retour défectueux - perte constante de pression du réservoir	Déterminer si le clapet de non-retour fonctionne correctement - la décharge de pressostat devrait cesser de siffler après que le compresseur s'éteint. Si le sifflement se poursuit et s'il y a une perte constante de pression du réservoir, alors le clapet de non-retour ne fonctionne pas correctement. Remplacer le clapet de non-retour.
	Connexions électriques délogées	Tout le système électrique doit être vérifié par un électricien agréé. Les câbles d'entrée et les connexions électriques du compresseur devraient être vérifiés. Les connexions desserrées provoqueront de mauvais fonctionnements.
	Condensateur défectueux.	Vérifier et remplacer (si nécessaire) le condensateur défectueux.
	Problème de clapet ou joint sauté	Vérifier le joint et remplacer au besoin. Il y a d'autres symptômes lorsqu'un clapet n'est pas scellé ou qu'un joint est sauté comme un tirage d'intensité normale qui pourrait déclencher une surcharge ou un disjoncteur.
Le compresseur fonctionne, mais accumule de la pression lentement	Fuite d'air	Vérifier tout le système pour tout signe de fuites, incluant le compresseur et toute tuyauterie rattachée au compresseur.
	Filtre d'air sale	Les filtres d'air doivent être changés régulièrement selon l'usage et l'environnement. Un filtre sale peut sembler propre. Changer souvent les filtres.
	Problème de clapet ou joint sauté	Vérifier le joint et remplacer au besoin. Il y a d'autres symptômes lorsqu'un clapet n'est pas scellé ou qu'un joint est sauté comme un tirage d'intensité normale qui pourrait déclencher une surcharge ou un disjoncteur.
	Réservoir fissuré	Remplacer le réservoir. <b>L'appareil ne devrait pas être utilisé dans ces conditions.</b> Les réservoirs ne peuvent pas être soudés ou rapiécés.

Suite à la page suivante

## Guide de dépannage pour les unités en service pendant une période de temps (suite)

SYMPTÔME	CAUSE(S) POSSIBLE(S)	ACTION CORRECTIVE
La soupape de sûreté interétage sort lorsque l'appareil fonctionne	Soupape de sûreté interétage fonctionne mal	Problème de clapet ou joint sauté L'air haute pression revient du côté de basse pression de la pompe. Ceci est à cause d'une fuite de clapet ou d'un joint sauté.
	Couple de boulon à tête basse	Vérifier et resserrer les boulons à tête au couple spécifié.x.
Fuite d'huile du reniflard	Soupape de sûreté interétage défectueuse	Remplacer la soupape de sûreté interétage. Il ne faut dans aucun cas boucher le port de soupape de sûreté.
	Anneaux usés ou cylindre marqué	Remplacer les anneaux et/ou remplacer le cylindre.
Huile laiteuse dans le carter	Le compresseur tourne à chaud	S'assurer que le compresseur tourne à la bonne rotation. Le compresseur doit être propre et dans un endroit bien ventilé. L'huile doit être changée à des intervalles réguliers selon les spécifications indiquées dans le manuel. Le filtre d'air doit être changé, car il se salit.
	Faible usage du compresseur - l'eau se condense dans le carter	Faire fonctionner le compresseur continuellement pendant 1 heure. La chaleur produite durant cette période de fonctionnement évaporerait l'humidité de l'huile.
	Mauvais type d'huile	Ne pas utiliser d'huile de type automobile SAE-30. Utiliser la mauvaise huile peut causer divers problèmes de pompe et annulera la garantie. Utiliser seulement des huiles recommandées dans le manuel d'utilisation.
	Mauvais environnement	L'appareil ne doit pas être installé dans un endroit mal ventilé ou exposé à des conditions d'extrême chaleur ou froid. La plage d'exploitation normale doit être entre 0 et 37 °C (32 et 100°F).
	Rotation incorrecte	Vérifier pour s'assurer que le compresseur tourne dans la direction de la flèche du volant. La circulation d'air devrait permettre au volant de diriger l'air à travers la tête de pompe. Debout devant le compresseur (non pas du côté du protecteur de courroie), l'air devrait revenir vers l'avant.
Légère fuite de réservoir, vérifier le clapet	L'air refroidit et se condense, puis fuit et revient dans la pompe. Drainer le réservoir d'air après l'utilisation résoudra normalement le problème.	
Le pressostat fait continuellement sortir de l'air de la soupape de décharge	Clapet de non-retour défectueux.	Remplacer le clapet de non-retour.
Le pressostat ne dégage pas d'air lorsque le compresseur s'éteint.	La décharge de pressostat ne fonctionne pas correctement	Drainer le réservoir de toute pression. Redémarrer le compresseur sans charge. Si le compresseur peut démarrer, alors la décharge doit être vérifiée. Si ce problème n'est pas corrigé, le moteur aura des problèmes et/ou d'autres composants électriques.
Le compresseur ne s'arrête pas	Pressostat défectueux	Le réglage trop haut. Si l'ajustement du réglage ne fonctionne pas, remplacer le pressostat.
	Soupape de sûreté défectueuse	S'assurer que le manomètre du réservoir lit correctement et si nécessaire remplacer la soupape de sûreté du réservoir.

Suite à la page suivante

## Guide de dépannage pour les unités en service pendant une période de temps (suite)

SYMPTÔME	CAUSE(S) POSSIBLE(S)	ACTION CORRECTIVE
L'appareil vibre excessivement	Attaches desserrées	Ceci inclut les boulons de montage de la pompe, le moteur, le protecteur de courroie, le démarreur magnétique, etc. Vérifier s'il y a des attaches desserrées dans le cadre d'une routine d'entretien. Resserrer les attaches desserrées.
	Poulie desserrée, courroie desserrée ou mauvais alignement de poulies	La poulie et la courroie devront peut-être être resserrées avec le temps. Les poulies devront peut-être être réalignées pour assurer la bonne usure de courroie et réduire les vibrations. Il faut vérifier dans le cadre de l'entretien régulier.
	Pompe défectueuse	Une pompe défectueuse inclut des coups ou des bruits qui ne sont pas normaux selon la conception de la pompe. Beaucoup d'huile qui sort du reniflard indique l'usure de l'anneau ou du cylindre. Une faible performance de pompe pourrait indiquer des problèmes de robinet. Il y a plusieurs symptômes associés à une pompe défectueuse. La pompe devra être réévaluée.
Eau dans l'air de décharge	Temps humides et chauds	Pendant les temps chauds et humides, il est normal d'avoir de l'accumulation d'eau dans le réservoir du compresseur. Ceci est normal et exige de fréquents drainages du réservoir. Nous recommandons l'utilisation d'un drain automatique avec filtres et séchoirs si cela est un problème.
	Eau accumulée dans le réservoir	Drainer le réservoir d'eau pour éviter la corrosion du réservoir et l'usure de l'outil pneumatique. Nous recommandons l'utilisation d'un drain automatique avec filtres et séchoirs pour éviter que l'eau entre dans l'air d'échappement du compresseur.
Huile dans l'air de décharge	Filtre d'aspiration entravé	Le filtre doit être changé fréquemment pour éviter les problèmes possibles et pour permettre une opération efficace du compresseur. Il y a un vide créé dans l'aspiration du compresseur ce qui mène à une forte consommation d'huile en attirant de l'huile par les anneaux. Il y a aussi une possibilité de destruction de média du filtre d'aspiration permettant aux contaminants d'entrer par l'aspiration et mener à des problèmes d'usure.
	Mauvais type d'huile	Ne pas utiliser d'huile de type automobile SAE-30. Utiliser la mauvaise huile peut causer divers problèmes de pompe et annulera la garantie. Utiliser seulement des huiles recommandées dans le manuel d'utilisation.
	Anneaux usés ou cylindre marqué	Remplacer les anneaux et/ou remplacer le cylindre
	Le compresseur tourne à chaud	S'assurer que le compresseur tourne à la bonne rotation. Le compresseur doit être propre et dans un endroit bien ventilé. L'huile doit être changée à des intervalles réguliers selon les spécifications indiquées dans le manuel. Le filtre d'air doit être changé, car il se salit.



---

**Mémento:** *Gardez votre preuve datée d'achat à fin de la garantie! Joignez-la à ce manuel ou classez-la dans un dossier pour plus de sécurité.*

---

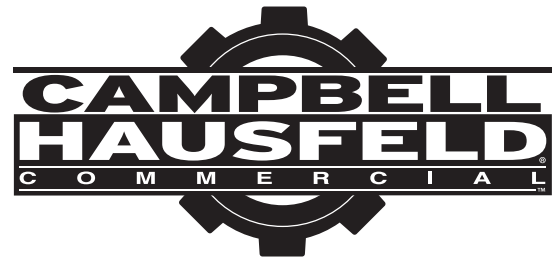
## **Garantie Limitée**

1. DURÉE: La pompe du compresseur et le récepteur d'air sont garantis pour trois ans de la date d'achat par l'acheteur original. Le reste du compresseur est garanti pendant un an de la date d'achat par l'acheteur original.
2. GARANTIE ACCORDÉE PAR (GARANT) : Campbell Hausfeld a Marmon/Berkshire Hathaway Company, 100 Production Drive, Harrison, Ohio, 45030, Téléphone: 1-888-606-5587.
3. BÉNÉFICIAIRE DE CETTE GARANTIE (ACHETEUR) : L'acheteur original (sauf en cas de revente) du compresseur d'air Campbell Hausfeld.
4. PRODUITS COUVERTS PAR CETTE GARANTIE : Compresseurs d'air de séries CE7000, CE8000 et CE9000 de Campbell Hausfeld.
5. COUVERTURE DE LA PRÉSENTE GARANTIE : Les pièces et la main d'oeuvre pour corriger les défauts de matériaux et/ou de main d'oeuvre avec les exceptions indiquées ci-dessous.
6. LA PRÉSENTE GARANTIE NE COUVRE PAS :
  - A. Les garanties implicites, y compris celles de commercialisation et D'ADAPTATION À UNE FONCTION PARTICULIÈRE SONT LIMITÉES À PARTIR DE LA DATE D'ACHAT INITIALE TELLE QU'INDIQUÉE DANS LA SECTION DURÉE. Certaines Provinces (États) n'autorisent pas de limitations de durée pour les garanties implicites, donc les limitations précédentes peuvent donc ne pas s'appliquer.
  - B. TOUT DOMMAGE, PERTE OU DÉPENSE FORTUIT OU INDIRECT POUVANT RÉSULTER DE TOUT DÉFAUT, PANNE OU MAUVAIS FONCTIONNEMENT DU PRODUIT CAMPBELL HAUSFELD. Quelques Provinces (États) n'autorisent pas l'exclusion ni la limitation des dommages fortuits ou indirects. La limitation ou l'exclusion précédente peut donc ne pas s'appliquer.
  - C. Resserrer les attaches desserrées:
    1. Accident ou abus de l'acheteur
    2. Mauvaise installation
    3. L'équipement qui n'a pas été utilisé ou entretenu conformément aux instructions de Campbell Hausfeld selon les détails du manuel d'utilisation fourni avec le compresseur.
    4. Équipement qui a été réparé ou modifié sans autorisation de Campbell Hausfeld.
  - D. Service avant livraison; le montage, l'huile ou la graisse et les réglages par exemple.
  - E. Les effets d'usure normale.
  - F. Les moteurs à essence et les pièces détachées sont expressément exclus de cette garantie limitée. L'acheteur doit observer la garantie du fabricant de moteur qui est fournie avec le produit.
  - G. Équipement qui a été endommagé en transit.
7. RESPONSABILITÉS DU GARANT AUX TERMES DE CETTE GARANTIE : Réparation ou remplacement, au choix du Garant, d'un compresseur ou d'une pièce détachée qui s'est révélé défectueux ou qui n'est pas conforme pendant la durée de validité de la garantie. Les réparations garanties seront faites au site de l'acheteur.
8. RESPONSABILITÉS DE L'ACHETEUR AUX TERMES DE CETTE GARANTIE :
  - A. Fournir une preuve d'achat datée et un état d'entretien.
  - B. Utilisation et entretien du produit avec un soin raisonnable, ainsi que le décrit le(s) manuel(s) d'utilisation.
  - C. Réparations qui exigent de temps additionnel, taux de charge de fin de semaine, ou tout problème au-delà du taux normal de remboursement par main d'œuvre de réparations sous garantie du fabricant.
  - D. Temps nécessaire pour tout contrôle de sécurité, entraînement de sécurité, ou situation semblable parce que le personnel de service puisse obtenir l'accès à l'installation.
  - E. L'emplacement de l'unité doit être facilement accessible et avoir l'espace suffisant parce que le personnel de service puisse effectuer les réparations.
9. RÉPARATION OU REMPLACEMENT EFFECTUÉ PAR LE GARANT AUX TERMES DE LA PRÉSENTE GARANTIE : La réparation ou le remplacement sera prévu et exécuté en fonction de la charge de travail dans le centre de service et dépendra de la disponibilité des pièces de rechange.

Cette Garantie Limitée s'applique aux É.-U., au Canada et au Mexique seulement et vous donne des droits juridiques précis. L'acheteur peut également jouir d'autres droits qui varient d'une Province, d'un État ou d'un Pays à l'autre.



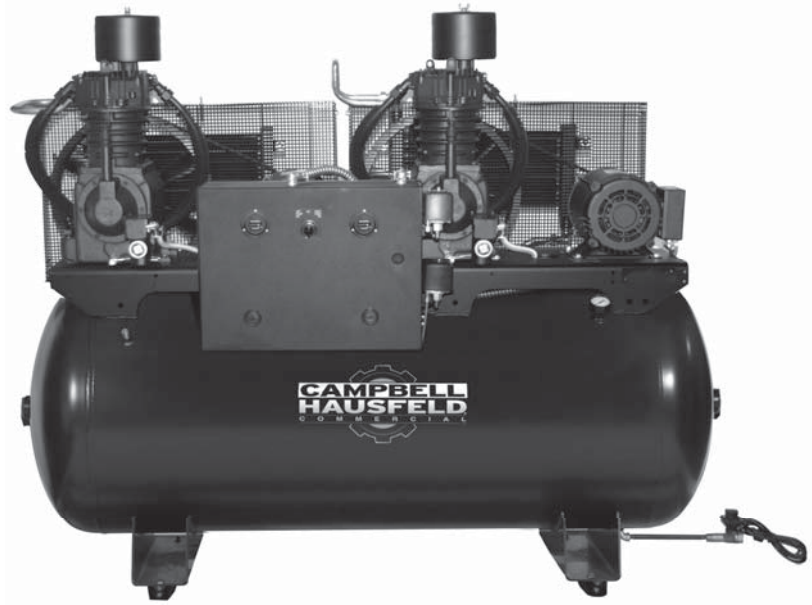
# Compresores de Aire Dúplex de dos Etapas



Serie CE7200, Serie CE8200

## Índice

Introducción.....	S1
Medidas de seguridad .....	S2
Símbolos de seguridad .....	S2
Importantes instrucciones de seguridad .....	S2
Conozca su compresor.....	S4
Desempaque.....	S5
Instalación.....	S5
Funcionamiento .....	S10
Mantenimiento .....	S12
Guía de resolución de problemas	
Nuevas instalaciones.....	S14
Unidades en servicio por un período de tiempo .....	S16
Garantía limitada.....	S20



## Introducción

La serie CE de compresores de aire Campbell Hausfeld son compresores alternativos de dos etapas, lubricados por aceite.

### LOS MODELOS DÚPLEX DE LA SERIE DE NEUMÁTICOS Y LUBRICANTES INCLUYEN:

- Bomba de compresor
- Receptor de aire ASME con válvula de retención
- Motor eléctrico
- Arranque
- Presostato
- Posenfriador refrigerado con aire
- Medidor digital de la hora
- Drenaje automático del tanque
- Protección para nivel de aceite bajo
- Almohadillas para el aislamiento de la vibración
- Válvula de cierre
- Panel de control alternador de lujo

## Referencia rápida

### ACEITE RECOMENDADO (2 OPCIONES)

Aceite no detergente de viscosidad única SAE 30 ISO100 para compresores. Disponible por parte de Campbell Hausfeld, pieza número ST126700AV.

Aceite sintético 10W30 como Mobil 1®.

### CAPACIDAD DE ACEITE

Serie CE7200	2 cuartos de galón (1,9 L) [por bomba]
Serie CE8200	4 cuartos de galón (3,8 L) [por bomba]

## GUARDE ESTA INFORMACIÓN PARA REFERENCIA FUTURA

Número de Serie:

N° del Modelo:

Fecha de Compra:

## Medidas de Seguridad

Este manual contiene información que es muy importante que se conozca y comprenda. Esta información se proporciona con fines de SEGURIDAD y para EVITAR PROBLEMAS CON EL EQUIPO. Para ayudar a reconocer esta información, observe los siguientes símbolos.

**▲ PELIGRO** Peligro indica una situación inminentemente peligrosa, que si no se evita, dará como resultado la muerte o lesiones graves.

**▲ ADVERTENCIA** Advertencia indica una situación potencialmente peligrosa, que si no se evita, PODRÍA ocasionar la muerte o lesiones graves.

**▲ PRECAUCION** Precaución indica una situación potencialmente peligrosa, que si no se evita, PUEDE dar como resultado lesiones leves o moderadas.

**AVISO** Aviso indica una información importante, que de no seguirla, le podría ocasionar daños al equipo.

IMPORTANTE: información que requiere atención especial.

## Símbolos de Seguridad

Los siguientes símbolos de seguridad aparecen a lo largo de este manual para advertirle de importantes peligros y precauciones de seguridad.



Use protección para los ojos y máscara



Lea primero el manual



Riesgo de incendio



Riesgo de piezas móviles



Riesgo de piezas calientes



Riesgo de explosión



Riesgo de vapores



Riesgo de presión



Riesgo de choque eléctrico

Sírvase leer y guardar estas instrucciones. Lea con cuidado antes de tratar de armar, instalar, manejar o darle servicio al producto descrito en este manual. Protéjase Ud. y a los demás observando todas las reglas de seguridad. El no seguir las instrucciones podría resultar en heridas y/o daños a su propiedad. Guarde este manual como referencia.

## Importantes Instrucciones De Seguridad

Este manual contiene información sobre seguridad, funcionamiento y mantenimiento. Si tiene preguntas, llame al 1-888-606-5587 para obtener asistencia al cliente.

Como el compresor de aire y otros componentes usados (cabezales, pistolas pulverizadoras, filtros, lubricadores, mangueras, etc.), forman parte de un sistema de bombeo de alta presión, deberá seguir las siguientes medidas de seguridad todo el tiempo:

### PROPOSICIÓN 65 DE CALIFORNIA

**▲ ADVERTENCIA** Este producto, o su cordón eléctrico, puede contener productos químicos conocidos por el estado de California como causantes de cáncer y defectos de nacimiento u otros daños reproductivos. Lave sus manos después de usar.

**▲ ADVERTENCIA** Cuando corta lija, taladra o pule materiales como por ejemplo madera, pintura, metal, hormigón, cemento, u otro tipo de mampostería se puede producir polvo. Con frecuencia este polvo contiene productos químicos que se conocen como causantes de cáncer, defectos congénitos u otros daños reproductivos. Use equipo de protección.



## ▲ PELIGRO

### Advertencia Sobre el Aire Respirable

Este compresor/cabezal no viene listo de fábrica para suministrarle aire respirable. Antes de utilizarlos con este fin, deberá instalarle un sistema de seguridad y alarma incorporado a la línea. Este sistema adicional es necesario para filtrar y purificar el aire adecuadamente, para cumplir con las especificaciones mínimas sobre aire respirable de Grado D descritas en la Especificación de Productos G 7.1 de la Asociación de Aire Compri-mido. Igualmente, deberá cumplir los requisitos establecidos por el Artículo 29 CFR 1910. 134 de la Organización norteamericana OSHA y/o la Canadian Standards Associations (CSA).

### RENUNCIA A LAS GARANTIAS

Si el compresor se utiliza para producir aire respirable SIN haberle instalado el sistema de seguridad y alarma, todas la garantías se anularán y la compañía Campbell Hausfeld no asumirá NINGUNA responsabilidad por pérdidas, heridas personales o daños.

### INFORMACIONES GENERALES DE SEGURIDAD

- ◆ Lea con cuidado todos los manuales incluidos con este producto. Familiarícese con los controles y el uso adecuado del equipo.
- ◆ Siga todos los códigos de seguridad laboral y electricidad establecidos en su país, por ejemplo, los de la NEC y OSHA en EUA.
- ◆ Este compresor sólo debe ser usado por personas que estén bien familiarizadas con las reglas de seguridad de manejo.
- ◆ Mantenga a los visitantes alejados y NUNCA permita la presencia de niños en el área de trabajo.
- ◆ Siempre use anteojos de seguridad y protéjase los oídos para operar el cabezal o el compresor.
- ◆ No se encarama sobre el cabezal, ni lo use para sostenerse.



## Importantes Instrucciones De Seguridad (Continuación)

- ◆ Antes de cada uso, inspeccione el sistema de aire comprimido y los componentes eléctricos para ver si están dañados, deteriorados, desgastados o tienen fugas. Repare o reemplace las piezas dañadas antes de usar el equipo.
- ◆ Chequee todas las conexiones frecuentemente para cerciorarse de que estén bien apretadas.

**⚠ ADVERTENCIA** *Los motores, equipos eléctricos y controles, pueden ocasionar arcos eléctricos que se encenderían con gases o vapores inflamables. Nunca utilice o repare el compresor cerca de gases o vapores inflamables. Nunca almacene líquidos o gases inflamables cerca del compresor.*



**⚠ ADVERTENCIA** *Nunca utilice el compresor sin la tapa de las bandas. Los compresores se pueden encender automáticamente sin previo aviso. Las piezas en movimiento podrían ocasionarle heridas o daños a su propiedad.*



- ◆ No se ponga ropa muy holgada o joyas, ya que éstas se le podrían enredar en las piezas en movimiento.

**⚠ PRECAUCION** *Las piezas del compresor podrían estar calientes, inclusive cuando la unidad esté apagada.*



- ◆ Mantenga los dedos alejados del compresor cuando éste esté funcionando; las piezas en movimiento o calientes, le ocasionarían heridas y/o quemaduras.
- ◆ Si el equipo comienza a vibrar excesivamente, APAGUE el motor y chequéelo inmediatamente para determinar la razón. Generalmente, la vibración excesiva se debe a una falla.
- ◆ Para reducir el peligro de incendio, mantenga el exterior del motor libre de aceite, solventes o exceso de grasa.

**⚠ ADVERTENCIA** *Es obligación instalar en la tubería de aire o en el tanque de este compresor una válvula de desfogue según las normas de seguridad ASME con ajuste no superior a la Presión Máxima Admisible de Trabajo (MAWP) del tanque. Esta válvula debe estar diseñada para los valores máximos de flujo y presión para proteger los componentes de cierre. Los límites máximos del flujo se indican en el manual de repuestos. La válvula de seguridad del sistema de enfriamiento interno no protege el sistema.*

**⚠ ADVERTENCIA** *La presión máxima es 12,07 bar (175 psi) en los compresores de dos etapas. No lo utilice con el presostato o las válvulas del piloto fijadas a presiones mayores de 12,07 bar (175 psi) [dos etapas].*

- ◆ Nunca trate de ajustar la válvula de seguridad ASME. Evite que se le acumule pintura u otros residuos.

**⚠ ADVERTENCIA** *¡Nunca trate de reparar o modificar el tanque! Si lo suelda, taladra o modifica de cualquier otra manera, el tanque se debilitará y podría romperse o explotar. Siempre reemplace los tanques desgastados, rotos o dañados.*



### AVISO

*Drene el líquido del tanque diariamente.*

- ◆ Los tanques se oxidan debido a la acumulación de humedad y esto debilita el tanque. Cerciórese de drenar el tanque con regularidad e inspeccionarlo periódicamente, para ver si está en malas condiciones, por ejemplo, si está oxidado.
- ◆ La circulación rápida de aire podría levantar polvo y desperdicios dañinos. Siempre libere el aire lentamente para drenar el tanque o liberar la presión del sistema.

### PRECAUCIONES PARA ROCIAR

**⚠ WARNING** *No rocíe materiales inflamables cerca de llamas abiertas o de fuentes de ignición, incluyendo la unidad del compresor.*



- ◆ No fume mientras esté rociando pintura, insecticidas u otras sustancias inflamables.
- ◆ Use una máscara/respirador cuando vaya a rociar y siempre rocíe en un área bien ventilada, para evitar peligros de salud e incendios.
- ◆ Nunca rocíe pintura ni otros materiales, directamente hacia el compresor. Coloque el compresor lo más lejos posible del área de trabajo, para minimizar la acumulación de residuos en el compresor.
- ◆ Al rociar o limpiar con solventes o químicos tóxicos, siga las instrucciones del fabricante de dichos químicos.



### GUARDE ESTAS INSTRUCCIONES – NO LAS DESECHE

Los símbolos de **PELIGRO**, **ADVERTENCIA**, **PRECAUCIÓN**, y **AVISO** y las instrucciones en este manual no pueden posiblemente cubrir todas las condiciones y situaciones posibles que puedan presentarse. El operador debe entender que la precaución es un factor que no puede ser incluido en el producto, sino que debe ser proporcionada por el operador.

## Conozca su compresor

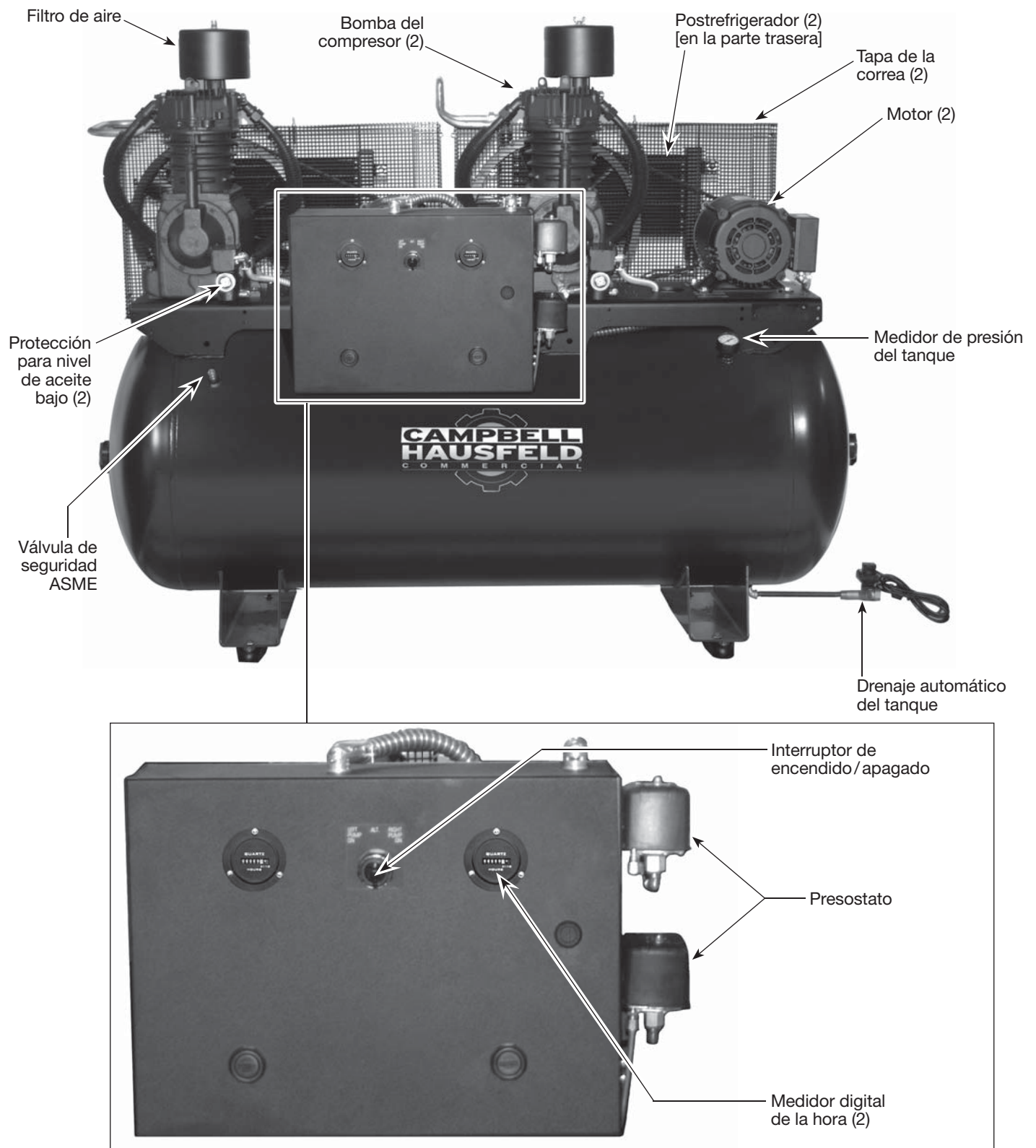


Figura 1 - Compresor de aire dúplex

## Desempaque

**▲ PRECAUCION** *Nunca alce o mueva la unidad sin usar un equipo adecuado. Cerciórese de que la unidad esté bien segura. No la tome por los tubos o piezas del sistema de enfriamiento para levantarla. No use la unidad para alzar otros equipos.*

Después de desempacar la unidad, inspecciónela cuidadosamente para detectar cualquier daño que pueda haber ocurrido durante el envío. Verifique que no haya piezas sueltas, faltantes ni dañadas. Asegúrese de que todos los accesorios proporcionados vengan con la unidad. En caso de que tenga preguntas, o de que haya piezas dañadas o faltantes, llame a 1-888-606-5587 para obtener asistencia al cliente.

**▲ ADVERTENCIA** *No debe utilizar la unidad si se ha dañado durante el envío, manejo o uso. Los daños podrían ocasionar una explosión y ocasionarle heridas o daños a su propiedad.*

## ARTÍCULOS ADICIONALES NO INCLUIDOS

- ◆ Aceite

## Instalación

**▲ ADVERTENCIA** *Desconecte el cordón eléctrico, amárrelo y aléjelo del tomacorrientes, después libere toda la presión del tanque antes de tratar de instalar el compresor, darle servicio, moverlo de sitio o darle cualquier tipo de mantenimiento.*



**▲ PRECAUCION** *Nunca alce o mueva la unidad sin usar un equipo adecuado. Cerciórese de que la unidad esté bien segura. No la tome por los tubos o piezas del sistema de enfriamiento para levantarla. No use la unidad para alzar otros equipos.*

**▲ PRECAUCION** *Nunca instale el compresor sobre la base de madera en la que se envió de la fábrica.*

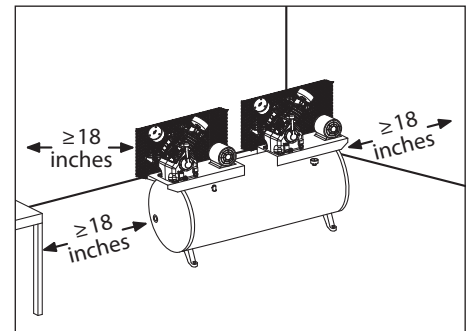


Figura 2 - Ubicación

## ELECCIÓN DEL LUGAR

Siempre debe instalar y utilizar el compresor en un área limpia y bien ventilada y a una distancia de por lo menos 46 cm (18 inches) de cualquier obstrucción. La temperatura del medio ambiente no debe exceder los 37,8o C. Ésto le garantizará el flujo normal de aire para enfriar el compresor y suficiente espacio para darle mantenimiento.

**▲ PRECAUCION** *Nunca coloque la entrada de aire del compresor cerca de un área donde haya vapor, donde se rocíe pintura o arena, o haya otras fuentes de contaminación.*

**NOTA:** Cuando utilice el compresor en un ambiente cálido y húmedo le debe suministrar aire limpio y seco del exterior al cabezal. Utilice una tubería para suministrarle el aire del exterior.

## PARA INSTALAR EL TANQUE

El tanque se debe instalar sobre un piso plano y nivelado de concreto, o sobre una base de concreto separada. Debe colocarle aislantes entre las patas del tanque y el piso. Le recomendamos el uso de las almohadillas aislantes Modelo MP345800AJ para las unidades horizontales. Las almohadillas aisladoras se incluyen con los modelos completos.

Cuando use las almohadillas aislantes, no apriete los pernos excesivamente. Debe permitir que las almohadillas absorban la vibración. Cuando use las almohadillas aislantes, debe instalar una manguera flexible o acoplador, entre el tanque y las tuberías de servicio.

**▲ ADVERTENCIA** *Si no instala el tanque adecuadamente, las soldaduras se podrían romper y el tanque podría explotar.*

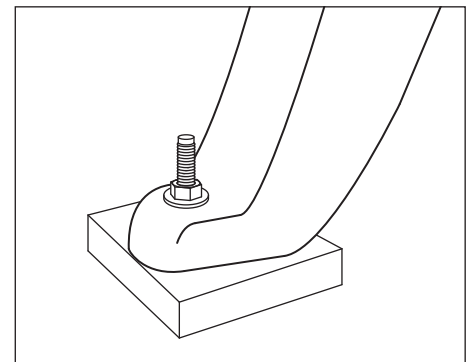


Figura 3 - Almohadillas aisladoras

## Instalación (Continuación)

### TUBERIAS

#### ⚠ ADVERTENCIA

*Nunca use tuberías de plástico (PVC) con aire comprimido. Ésto podría ocasionarle heridas graves.*

graves.

Cualquier tipo de tuberías o manguera que conecte al compresor deben estar diseñados para el tipo de temperaturas y presiones generadas. Todos los componentes presurizados del sistema de aire deben tener una clasificación de presión de 13,79 bar (200 psi) o superior. Si selecciona e instala una tubería o manguera incorrecta, éstas podrían explotar y ocasionarle heridas. Para conectar las tuberías al tanque, utilice conexiones del mismo tamaño que el orificio de salida.

### PARA INSTALARLE UNA VALVULA DE CIERRE

Debe instalarle una válvula de cierre en la salida del tanque para controlar el flujo de aire que sale del tanque. La válvula se debe colocar entre el tanque y las tuberías.

#### ⚠ ADVERTENCIA

*Nunca instale una válvula de cierre entre el cabezal y el tanque. Ésto le podría ocasionar heridas y/o daños a su propiedad. Nunca use reductores en las tuberías de salida.*

Cuando vaya a instalar un sistema permanente de distribución de aire comprimido, debe calcular la longitud total del sistema y seleccionar las tuberías adecuadas según la tabla que le ofrecemos en este manual. Las tuberías se deben instalar bajo el nivel de congelamiento, para evitar que creen vacío donde se pueda concentrar la condensación y se congelen.

Aplíquese presión de aire a las tuberías y cerciórese de que ninguna conexión tenga fugas ANTES de cubrirlas. Antes de utilizar el compresor, cerciórese de que no haya fugas en las tuberías y conexiones y repárelas de haberlas.

### ALAMBRADO

#### ⚠ ADVERTENCIA

*Todo el cableado e instalaciones eléctricas deberán ser realizados por un electricista calificado familiarizado con los controles de motores de inducción. Las instalaciones se deben hacer según los códigos locales y nacionales.*

#### ⚠ ADVERTENCIA

*Si el sistema de alambrado no se instala adecuadamente podría ocasionar sobrecalentamiento, cortocircuitos e incendios.*

El alambrado se debe hacer según todos los códigos nacionales de electricidad y los reglamentos sobre artefactos eléctricos y de alambrado. Consúltele a un técnico especializado en la materia y cumpla con todas la ordenanzas. Cerciórese de usar los cables adecuados y de que:

1. El amperaje sea adecuado.
2. La línea de suministro eléctrico sea similar a la del motor (voltaje, ciclaje y fases).
3. Los alambres sean del calibre adecuado y de que no hayan otros artefactos eléctricos conectados a la misma línea. Aquí le ofrecemos una tabla con los tamaños adecuados para instalar el compresor.

### TAMAÑO MÍNIMO DE LAS TUBERÍAS DE LAS LÍNEAS DE AIRE COMPRIMIDO

m <sup>3</sup> /min	Longitud de las Tuberías			
	7,62 m	15,24 m	30,48 m	76,2 m
10	12,7 mm	12,7 mm	19,1 mm	19,1 mm
20	19,1 mm	19,1 mm	19,1 mm	2,54 cm
40	19,1 mm	2,54 cm	2,54 cm	2,54 cm
60	19,1 mm	2,54 cm	2,54 cm	2,54 cm
100	2,54 cm	2,54 cm	2,54 cm	3,18 cm

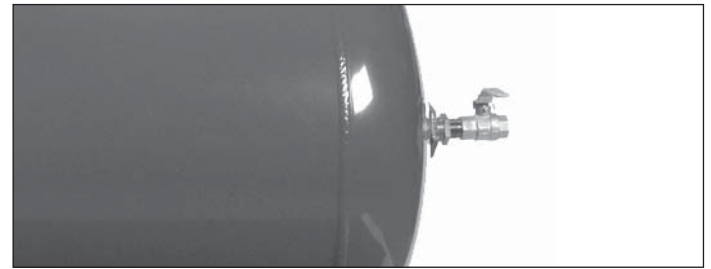


Figura 4 - Válvula de cierre

### TAILLE DE FIL MINIMUM UTILISER LE FIL EN CUIVRE 75°C

Asegúrese de que el voltaje concuerde con el cableado del motor.

**NOTA:** Si usa corriente monofásica de 208 voltios, asegúrese de que la placa de nombre del motor diga que está clasificado para corriente monofásica de 208 voltios. Los motores para corriente monofásica de 230 voltios no funcionan con 208 voltios a menos que tengan la clasificación de 208 voltios.

CP	AMPS	Monofasé		Triphasé	
		230V	208/230V	460/575V	
10.0		N/A	8 AWG	12 AWG	
15.0		N/A	6 AWG	10 AWG	

*Los tamaños de cable recomendados pueden ser más grandes que el mínimo establecido por ordenanzas locales. Si fuera así, debe usarse el cable de mayor tamaño para evitar un descenso excesivo de voltaje en la línea. El costo adicional de los cables es muy bajo comparado con el costo de la reparación o cambio de un motor subalimentado por el uso de cables de suministro demasiado pequeños.*

## Instalación (Continuación)

### CONEXION A TIERRA

#### ⚠ ADVERTENCIA

*Los artefactos eléctricos conectados a tierra incorrectamente constituyen un riesgo de electrocutamiento. Cerciórese de que todas las conexiones a tierra estén hechas adecuadamente para evitar la muerte o heridas de gravedad.*



Este producto se **debe** conectar a tierra. Al conectarlo a tierra reduce el riesgo de choque eléctrico ya que, si ocurre un cortocircuito, la conexión a tierra le ofrece un desvío a la corriente eléctrica. Este producto se debe utilizar con un cordón eléctrico o cable que tenga conexión a tierra.

### DISYUNTORES Y FUSIBLES

El sistema eléctrico completo debe ser verificado por un electricista certificado. Los disyuntores con retraso y fusibles son necesarios para este compresor. Un disyuntor disparado o fusible quemado puede indicar que falta una conexión directa a tierra, un alto consumo de corriente, cableado inadecuado o tamaño y/o tipo incorrecto de fusible o disyuntor. Esto debe ser evaluado por un electricista certificado.

### PARA CONECTAR EL MOTOR E INSTALAR EL MOTOR DE ARRANQUE

El circuito se debe proteger según las ordenanzas nacionales para la instalación de motores eléctricos y el diseño de los sistemas de alambrado, por ejemplo, en los Estados Unidos siga las ordenanzas de la organización NEC (artículo 210 del capítulo 2 y artículo 430, Tabla 430-1-52).

**IMPORTANTE:** Todos los motores requieren un sistema de protección de sobrecarga.

Los motores usados en las series CE8000 de compresores de aire no tienen una protección de sobrecarga incorporada. Se requiere un arranque magnético. Todos los compresores de la serie CE, excepto los modelos CE8000 y CE8002, incluyen un arranque magnético. Consulte la diagrama de cableado para la instalación eléctrica.

### DIRECCION DE ROTACION

**NOTA:** La rotación incorrecta reduciría la duración de la unidad.

La dirección de la rotación debe ser en sentido contrario al de las agujas del reloj (tal como lo indica la flecha en el volante en la Figura 5) al estar parado al frente del cabezal en el mismo lado del volante. La instrucciones para el alambrado para la rotación en sentido contrario al de las agujas del reloj aparecen en la placa del motor.

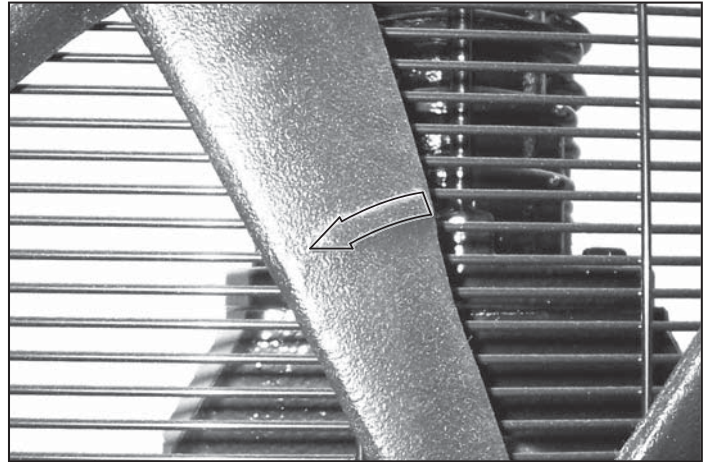
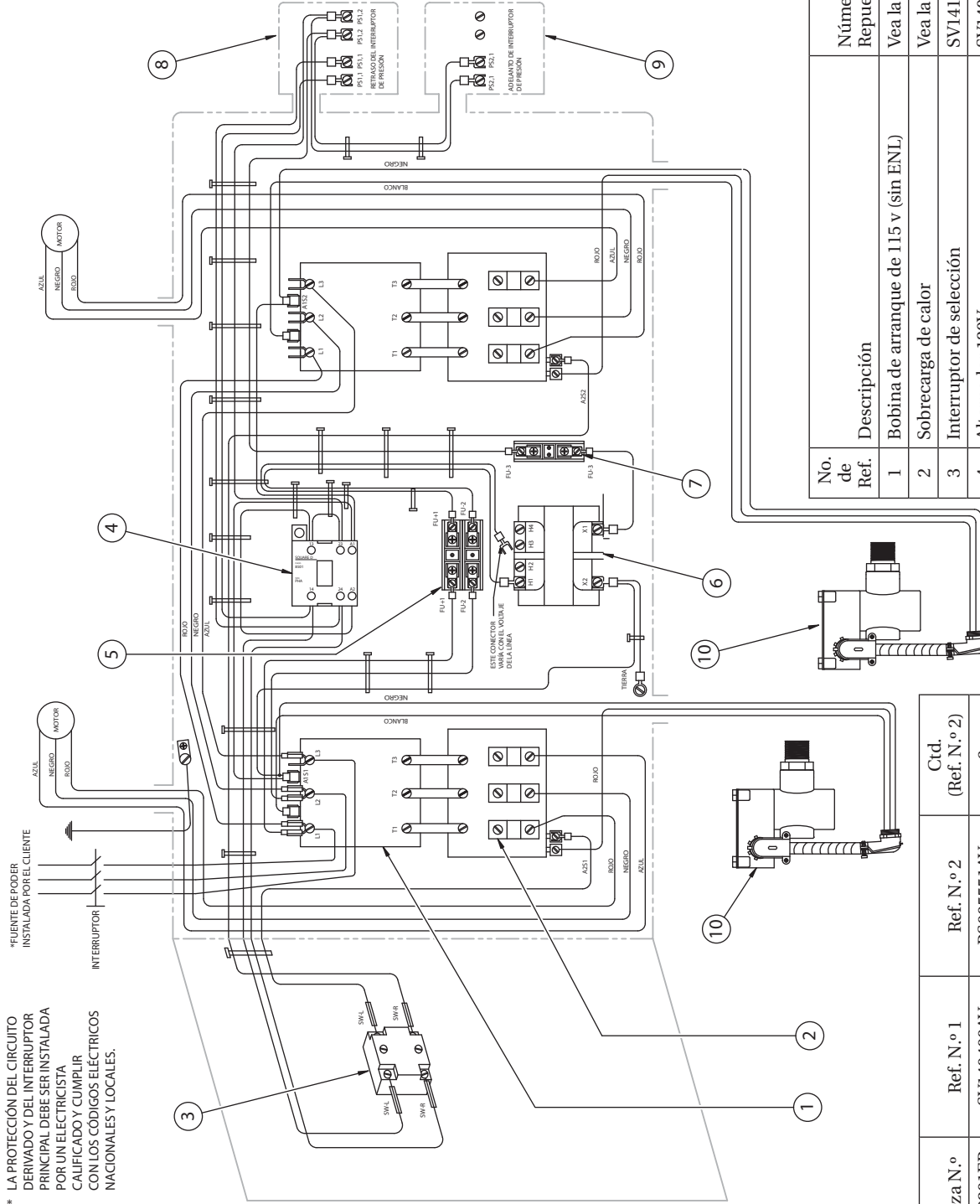


Figura 5 - Dirección de la rotación

La dirección adecuada de rotación es sumamente importante. La dirección de rotación de los motores trifásicos se puede cambiar con solo intercambiar dos de los cables del motor. Para los motores monofásicos, vea las instrucciones en la placa del motor.

Instalación (Continuación)



No. de Ref.	Descripción	Número de Repuesto	Ctd..
1	Bobina de arranque de 115 v (sin ENL)	Vea la tabla	2
2	Sobrecarga de calor	Vea la tabla	--
3	Interruptor de selección	SV141000AV	1
4	Alternador 120V	SV140500AV	1
5	Bloque de fusible tipo rechazo, de 2 polos	SV140600AV	1
6	Transformador, 50 VA 230/460-120	SV140700AV	1
7	Bloque de fusible tipo rechazo, de 1 polo	SV141500AV	1
8	Interruptor de presión 12,07 -9,31 bar (con UL)	CW207561AV	1
9	Interruptor de presión 10,69 - 7,93 bar	SV140800AV	1
10	Ensamble del interruptor de nivel de aceite	TF062300AV	2

Pieza N.º	Ref. N.º 1	Ref. N.º 2	Ctd. (Ref. N.º 2)
CE8201FP	SV140400AV	PS005551AV	6
CE8203FP	SV141600AV	PS005556AV	6
CE7252FP	SV141300AV	PS005550AV	2
CE7253FP	SV141400AV	PS005549AV	6
CE7205FP	SV141100AV	PS005554AV	2
CE7206FP	SV141200AV	PS005550AV	6

Chart 1

Figura 6 - Diagrama de cableado



## Instalación (Continuación)

### LUBRICACION

**⚠ PRECAUCION** *ESTA UNIDAD NO TIENE ACEITE. Antes de utilizar el compresor. Llene hasta el centro del calibrador visual (ver Figura 7).*

**⚠ PRECAUCION** *Si utiliza cualquier otro tipo de aceite podría disminuir la duración del cabezal y dañar las válvulas.*

#### Aceite recomendado (2 opciones)

- Aceite no detergente de viscosidad única SAE 30 ISO100 para compresores. Disponible en Campbell Hausfeld, pieza número ST126700AV.
- Aceite sintético 10W30 como Mobil 1®.

#### Capacidad de aceite

Serie CE7000	..... 2 cuartos de galón (1,9 L) [por bomba]
Serie CE8000	..... 4 cuartos de galón (3,8 L) [por bomba]

Llene la bomba con aceite hasta el centro del calibrador visual usando la abertura de llenado de aceite (ver Figura 7). **NO llene la bomba a través de la abertura de la tapa de la válvula de aire ya que esto podría causar una pérdida de aceite y que la misma rociara durante el funcionamiento.**

El compresor de la serie automóviles incluye una protección para bajo nivel de aceite. Este dispositivo controla el nivel de aceite en la caja del cigüeñal y apagará el compresor si el nivel de aceite descende demasiado. Consulte el manual aparte de la protección para nivel de aceite bajo para ver las instrucciones completas de funcionamiento.

**NOTA:** puede haber algo de aceite residual aún en la bomba por las pruebas realizadas en la fábrica que dejan una capa fina en el calibrador visual, sin embargo, no hay aceite suficiente para hacer funcionar la unidad.

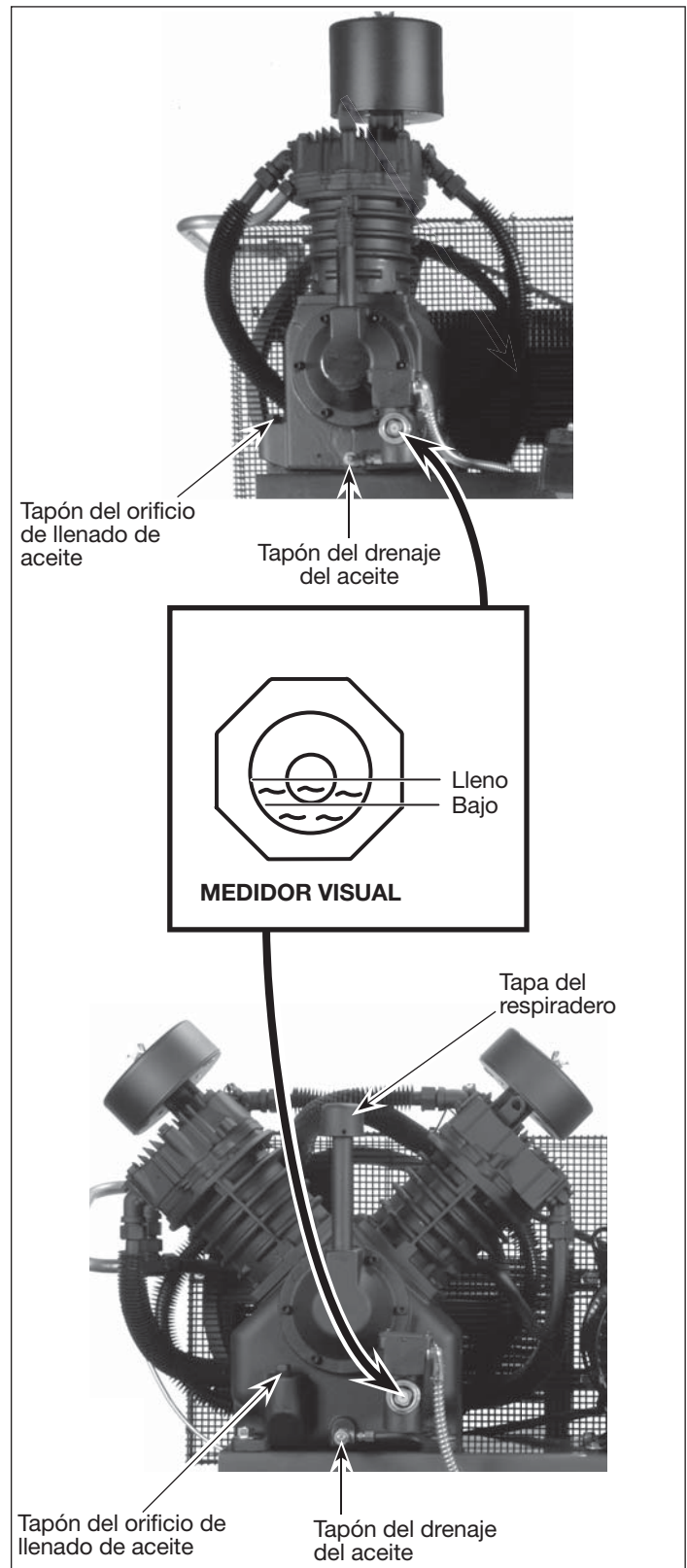


Figura 7

## Funcionamiento

**IMPORTANTE:** Chequee la rotacion del motor antes de utilizar el compresor.

Todos los cabezales que requieren lubricación expulsan agua condensada y aceite con el aire comprimido. Por lo tanto, en ciertos casos, deberá instalar le filtros adecuados para eliminar agua/ aceite.

### AVISO

*Si no le instala los filtros adecuados para eliminar el agua/ aceite podría ocasionarle daños a la maquinaria o pieza de trabajo.*

### PROTECCION

#### ▲ ADVERTENCIA

*Antes de utilizar el compresor le debe instalar la tapa de las bandas.*



Todas las piezas que se mueven deben estar protegidas con una tapa. Debe colocarle todas las tapas al sistema eléctrico antes de encender el compresor.

### PERIODO DE USO INICIAL RECOMENDADO

La primera vez que vaya a utilizar el compresor, debe dejarlo funcionar continuamente durante una hora, para permitir que los anillos de los pistones se fijen adecuadamente.

1. Abra la llave de drenaje del tanque y deje que el compresor funcione durante 60 minutos.
2. Apague el compresor y cierre la llave de drenaje. El compresor está listo para funcionar.

### SISTEMA DÚPLEX ALTERNANTE

Este compresor tiene un sistema alternante con una sola entrada de energía. Este sistema distribuye de forma pareja la carga de trabajo entre las dos unidades del motor/bomba. Si la presión del sistema baja de 8,62 bar (125 psi), ambas unidades de motor/bomba se encienden. Cuando la presión del tanque excede 10,69 bar (155 psi), una unidad de motor/bomba se apaga. Esta es la unidad de motor/bomba que se activará primero la próxima vez que el tanque necesite presión de hasta 12,07 bar (175 psi). Si la presión de aire en el tanque baja a menos de 10,00 bar (145 psi), pero se mantiene por encima de 8,61 bar (125 psi), sólo una unidad de motor/bomba funcionará. Las unidades de motor/bomba tomarán turnos presurizando el tanque de forma que la unidad de motor/bomba que haya estado inactiva por más tiempo presurice el tanque.

### PRESOSTATO, ARRANQUE - PARO

**NOTA:** Este compresor tiene una presión máxima de funcionamiento de 12,7 bar (175 psi) para compresores de dos etapas. Nunca exceda esta presión en ninguno de los controles de los componentes.

El interruptor de presión contiene un descargador, el cual es una pequeña válvula que ventila aire para permitir que el motor arranque con facilidad.

La válvula de descarga en el presostato silbará durante un breve período de tiempo cuando el compresor se apague. Esto libera el cabezal y la tubería de salida de toda presión y permite que el compresor se inicie sin carga. Debido a que los compresores tienen una alta torsión de arranque, es necesaria una válvula de descarga para iniciar el compresor correctamente.

La válvula de retención es una válvula de un solo sentido que mantiene el aire en el tanque cuando la unidad se apaga. La forma más fácil de determinar si la válvula de retención no está funcionando correctamente es asegurarse de que la válvula de descarga del presostato deje de silbar luego de que se apaga el compresor. El silbido debe durar por varios segundos y luego dejar de sonar.

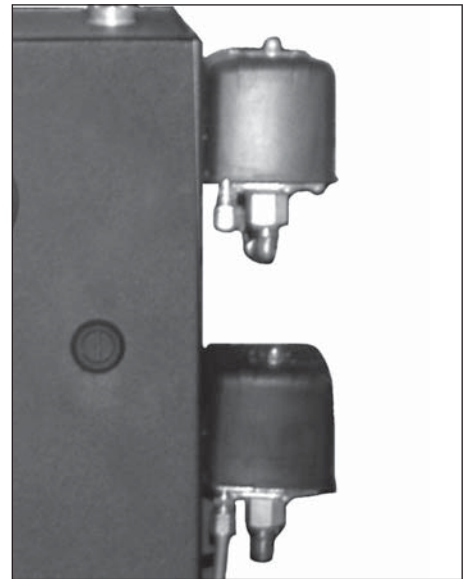


Figura 8 - Presostato

## Funcionamiento (Continuación)

### RESPIRADOR DE LA CAJA DEL CIGÜEÑAL

Durante condiciones severas de funcionamiento o al encenderlo por primera vez, podría crearse una acumulación de aceite en el orificio del respirador de la caja del cigüeñal. Ésto es normal y disminuirá con el uso, ya que los anillos se fijarán.

### DRENAJE DEL TANQUE

Se debe drenar la condensación del tanque diariamente. Los modelos dúplex de la serie de neumáticos y lubricantes incluyen un drenaje automático del tanque, que debe ser instalado (ver Figura 10). Consulte las instrucciones que se proporcionan con el drenaje automático.

### VÁLVULA DE DOBLE EFECTO

**IMPORTANTE:** No reemplace la válvula de doble efecto con una tubería en T o en cruz.

La tubería del compresión incluye una válvula de doble efecto entre la válvula de descarga del interruptor de presión y las dos válvulas de retención del tanque. Esta válvula de doble efecto evita que la presión del tubo de descarga de un compresor se descargue al compresor que no está en funcionamiento. Un reflujo de aire presurizado a la línea de descarga del compresor apagado puede dañar la bomba y el motor.

### CICLO DE TRABAJO

Cada bomba de este compresor está diseñada para funcionar hasta el 75% del tiempo. El funcionamiento a largo plazo o por más del 75% del tiempo podría disminuir la vida útil de la bomba y el motor.

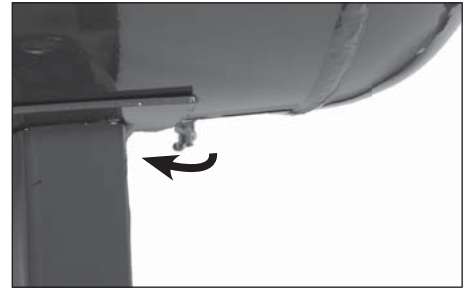


Figura 9 - Drenaje manual del tanque



Figura 10 - Drenaje automático del tanque

## Mantenimiento

**⚠ ADVERTENCIA** *Desconecte el cordón eléctrico, amárrelo y aléjelo del tomacorrientes, después libere toda la presión del tanque antes de tratar de instalar el compresor, darle servicio, moverlo de sitio o darle cualquier tipo de mantenimiento.*



Para mantener el funcionamiento eficiente del sistema del compresor, chequee el filtro de aire y mida el nivel del aceite antes de cada uso. La válvula de seguridad ASME también se debe chequear a diario (Vea la Figura 11). Hále el anillo de la válvula de seguridad y déjelo que regrese de nuevo en su posición original. Esta válvula automáticamente libera el aire del tanque, si la presión excede el nivel máximo fijado de fábrica. Si hay una fuga de aire después que ha soltado el anillo, o si la válvula está atascada y no la puede activar con el anillo, deberá reemplazar la válvula de seguridad ASME.

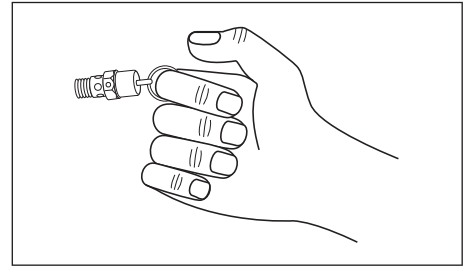


Figura 11 - Válvula de seguridad ASME

**⚠ ADVERTENCIA** *No modifique la válvula de retención ASME.*

### TANQUE

**⚠ ADVERTENCIA** *¡Nunca trate de reparar o modificar el tanque! Si lo suelda, taladra o modifica de cualquier otra manera, el tanque se debilitará y se podría dañar al romperse o explotar. Siempre reemplace los tanques desgastados, rotos o dañados.*



#### AVISO

*Drene el líquido del tanque diariamente.*

El tanque se debe inspeccionar cuidadosamente por lo menos una vez al año. Cerciérese de que no haya ranuras en las soldaduras. De haberlas, libere la presión del tanque inmediatamente y reemplácelo.



Figura 12 - Filtro de aire

### LUBRICACIÓN DEL COMPRESOR

Vea la sección de Funcionamiento Añádale aceite al cabezal cuando sea necesario. Debe cambiar el aceite y el filtro cada 3 meses o después de 500 horas de funcionamiento; lo que ocurra primero.

Si el compresor se utiliza bajo condiciones húmedas por períodos cortos, la humedad se condensará en la caja del cigüeñal y ocasionará que el aceite luzca cremoso. El aceite contaminado por el agua no le proveerá la lubricación adecuada y lo debe cambiar inmediatamente. Si usa aceite contaminado, los cojinetes, pistones, cilindros y anillos se dañarán y estos daños no están cubiertos por la garantía. Para evitar la condensación de agua en el aceite, periódicamente utilice el compresor con una presión de más o menos 10,34 bar (150 psi). Para hacerlo, abra la llave de drenaje, la válvula de aire conectada al tanque, o la manguera. Deje que el cabezal funcione por una hora en estas condiciones por lo menos una vez a la semana, o con más frecuencia, en caso de que el problema ocurra.

IMPORTANTE: Cámbiele el aceite después de 50 horas de operación.

### FILTRO DE AIRE

Nunca utilice el cabezal del compresor sin instalarle el filtro de la entrada de aire o con un filtro obstruido. El elemento del filtro de aire debe verificarse mensualmente (ver Figura 12). Si utiliza el compresor con el filtro sucio, podría aumentar el consumo de aceite y la contaminación con aceite del aire expulsado. Si el filtro de aire está sucio, debe reemplazarse.

### INTERENFRIADOR

**⚠ PRECAUCION** *Las alas del sistema de enfriamiento interno son afiladas, use siempre guantes y tenga mucho cuidado cuando vaya a limpiar o trabajar cerca de ellas.*

Semanalmente, chequee el sistema de enfriamiento para cerciorarse de que todas las conexiones estén bien apretadas. Limpie toda la suciedad, polvo y otras acumulaciones de las aletas del interrefrigerador.

## Mantenimiento (Continuación)

### COMPONENTES

Desconecte la corriente y limpie el cabezal del cilindro, el motor, las paletas del ventilador, las líneas de aire, el interrefrigerador y el tanque mensualmente.

### CORREAS

#### ▲ ADVERTENCIA

*Apague el compresor,*

*cerciórese de que el interruptor no se pueda activar y después libere la presión del tanque, para evitar que la unidad se mueva sin previo aviso.*

Chequee la tensión de las bandas cada 3 meses. Ajuste la tensión de las bandas para permitir una deflexión de 0,9 a 1,2 cm (3/8 inch - 1/2 inch) al ejercer una presión normal con el dedo. Igualmente, debe alinear las bandas usando como referencia un objeto recto que toque el volante y dos puntos del borde a ambos lados del volante. Las bandas deben estar paralelas a esta línea recta de referencia (vea la Figura 13). Las distancias A, B y C deben ser iguales para asegurar que las bandas estén alineadas adecuadamente. Las ranuras en la base le permiten mover el motor, en ambas direcciones, para ajustar la tensión de las bandas.

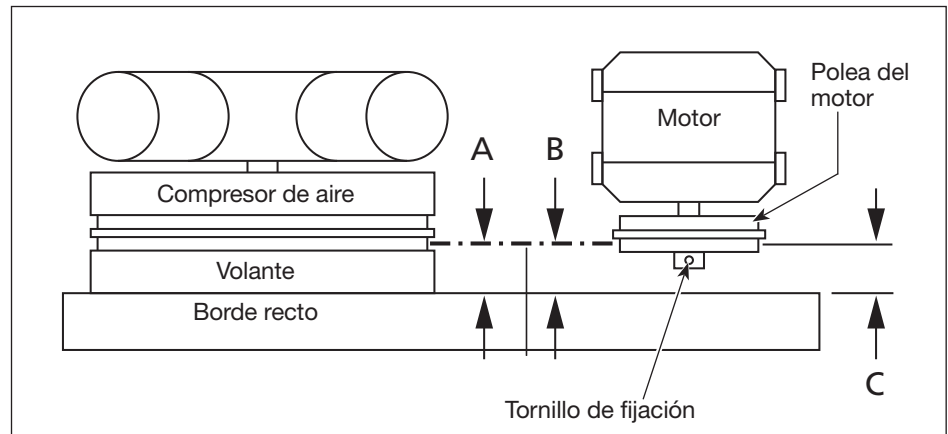


Figura 13 - Vista superior

### PROGRAMA DE MANTENIMIENTO

Servicio Necesario	Diariamente	Mensualmente	Trimestralmente
Chequee la válvula de seguridad	●		
Drene el tanque (Vea la Figura 9 y 10)	●		
Mida el nivel de aceite	●		
Limpie o cambie el filtro de aire		●	
Chequee el sistema de enfriamiento interno		●	
Limpie los componentes		●	
Chequee la tensión de las bandas			●
Cambie el aceite (Vea la Figura 7)			●

## Guía de diagnóstico de problemas para instalaciones nuevas

PROBLEMA	CAUSA	SOLUCIÓN
La unidad no arranca, el motor no hace ruido	Energía insuficiente al compresor	La fuente de energía eléctrica al compresor es del voltaje incorrecto, el tamaño del cable no es lo suficientemente grande para transportar la carga, la caja de fusibles o la caja del interruptor no es suficiente para transportar los requisitos de carga hacia el compresor.
	La unidad está mal cableada	Todo cableado distinto del indicado en el manual puede provocar un funcionamiento defectuoso (vea la Sección de Cableado).
	Voltaje incorrecto suministrado a la unidad	Asegúrese de que el voltaje concuerde con el cableado del motor (vea la Sección de Cableado).
	Conexiones eléctricas sueltas	El sistema eléctrico completo debe ser verificado por un electricista certificado. Los cables entrantes y las conexiones eléctricas del compresor deben revisarse. Las conexiones sueltas provocarán funcionamientos defectuosos.
	Cableado de tamaño incorrecto	Verifique que el tamaño de los cables esté calificado para la corriente del compresor. Los códigos estatales y locales varían ampliamente y deben revisarse antes de la instalación.
	Fusible quemado y/o disyuntor disparado	El disyuntor y fusibles necesarios para esta unidad deben tener retraso. Un disyuntor disparado o fusible quemado puede ser resultado de una conexión directa a tierra, un alto consumo de corriente, cableado inadecuado, tamaño y/o tipo incorrecto de fusible o disyuntor. Esto debe evaluarlo un centro de servicio o un electricista certificado.
	Disparo del encendido por sobrecarga	Verifique y reinicielo si es necesario. Si la sobrecarga se dispara después del reinicio inicial, consulte la sección del manual que cubre este problema.
Bajo nivel de aceite	Las unidades equipadas con una protección para nivel de aceite bajo deben tener el nivel de aceite adecuado para funcionar. Si el nivel de aceite es bajo, agregue más aceite. Desenchufe el compresor para reiniciar el relé para el interruptor de nivel de aceite bajo (vea la sección de Lubricación).	
La unidad no arranca, el motor zumba	La unidad está mal cableada	Todo cableado distinto del indicado en el manual puede provocar un funcionamiento defectuoso (vea la Sección de Cableado).
	Voltaje incorrecto	Asegúrese de que el voltaje corresponda con el cableado del motor (vea la Sección de Cableado).
	Conexiones eléctricas sueltas	El sistema eléctrico completo debe ser verificado por un electricista certificado. Los cables entrantes y las conexiones eléctricas del compresor deben revisarse. Las conexiones sueltas provocarán funcionamientos defectuosos.
El botón de reinicio del motor se dispara o el reinicio se dispara y enciende el encendido	La unidad está mal cableada	Controle el voltaje, el tamaño de los cables, etc. Este problema debe evaluarse y corregirse (vea la Sección de Cableado).
	Voltaje incorrecto	Asegúrese de que el voltaje corresponda con el cableado del motor (vea la Sección de Cableado).
	Cableado de tamaño incorrecto	Verifique y asegúrese de que el tamaño de los cables esté calificado para la corriente del compresor. Verifique que el tamaño de los cables esté calificado para la corriente del compresor. Los códigos estatales y locales varían ampliamente y deben revisarse antes de la instalación.
La unidad arranca pero no alcanza su velocidad máxima	Energía insuficiente al compresor	La fuente de energía eléctrica al compresor es del voltaje incorrecto, el tamaño del cable no es lo suficientemente grande para transportar la carga, la caja de fusibles o la caja del interruptor no es suficiente para transportar los requisitos de carga hacia el compresor.
	Conexiones eléctricas sueltas	El sistema eléctrico completo debe ser verificado por un electricista certificado. Los cables entrantes y las conexiones eléctricas del compresor deben revisarse. Las conexiones sueltas provocarán funcionamientos defectuosos.

*Continúa en la página siguiente*

## Guía de diagnóstico de problemas para instalaciones nuevas (continuación)

PROBLEMA	CAUSA	SOLUCIÓN
La unidad no expulsa o expulsa muy poco aire	Válvula de drenaje abierta	Asegúrese de que la válvula de drenaje en la parte inferior del tanque esté cerrada.
	Pérdida de aire	Revise el sistema completo en busca de pérdidas, incluyendo la unidad del compresor y cualquier tubería conectada al compresor.
	Entrada limitada o bloqueada	Asegúrese de que la entrada de aire del compresor no esté bloqueada de modo alguno.
La unidad funciona pero con mucho ruido	Compresor dañado	Revise el compresor para asegurarse de que no se ha dañado durante el envío o la instalación. Asegúrese de que el protector de la correa no se haya dañado. El protector de la correa no debe estar en contacto con el volante ni con la polea.
	Sujetadores flojos	Revise todos los pernos y tuercas para asegurarse de que no se aflojaron durante el envío.
	Volante o polea flojos	Revise para asegurarse que la polea y el volante estén correctamente ajustados.
	Instalación incorrecta	Si la unidad se deja sobre el calzo puede provocar vibraciones excesivas. Quite la unidad del calzo y móntela floja al piso con almohadillas para vibración y pernos de anclaje. No ajuste los pernos en exceso. Deje la tuerca floja a aproximadamente 3,2 mm del pie del compresor.
Aceite en el aire de descarga o en el respirador exterior de la caja del cigüeñal	Período de ablandamiento	Algo de aceite en el escape es normal durante el período de ablandamiento y durante el uso intensivo luego del período de ablandamiento. La descarga de aceite debe disminuir a medida que la unidad acumule horas de uso.
	Tipo de aceite incorrecto	No utilice aceite de tipo automotriz SAE-30. Usar el aceite incorrecto puede causar problemas con la bomba y anular la garantía. Use solamente los aceites recomendados en el manual de funcionamiento (vea la sección Lubricación).
	Entorno inadecuado	La unidad no debe ser instalada en un área con poco ventilada ni debe ser expuesta a condiciones extremas de frío o calor. El rango normal de funcionamiento debe ser de entre 32 °F y 100 °F (0 °C a 37,7 °C).
El compresor parece calentarse	Rotación incorrecta	Verifique para asegurarse de que el compresor esté funcionando en la dirección de la flecha del volante. El flujo de aire debe ser tal que el volante dirija el aire a través del cabezal de la bomba. Si se pone de pie en frente del compresor (el lado que no tiene el protector de la correa) el aire debe fluir de atrás hacia adelante.

## Guía de diagnóstico de problemas para unidades en servicio por un período de tiempo

PROBLEMA	CAUSA	SOLUCIÓN
El motor no funciona	Conexiones eléctricas sueltas	El sistema eléctrico completo debe ser verificado por un electricista certificado. Los cables entrantes y las conexiones eléctricas del compresor deben revisarse. Las conexiones sueltas provocarán funcionamientos defectuosos.
	Fusible quemado y/o disyuntor disparado	El disyuntor y fusibles necesarios para esta unidad deben ser con retraso. Un disyuntor disparado o fusible quemado puede ser resultado de una conexión directa a tierra, un alto consumo de corriente, cableado inadecuado, tamaño y/o tipo incorrecto de fusible o disyuntor. Esto debe evaluarlo un centro de servicio o un electricista certificado.
	Disparo del encendido por sobrecarga	Verifique y reinicielo si es necesario. Si la sobrecarga se dispara después del reinicio inicial, consulte la sección del manual que cubre este problema.
	Condensador de arranque defectuoso Arranque magnético defectuoso	Verifique y cambie (si fuera necesario) el condensador de arranque defectuoso. Primero verifique si existe algún cable suelto y ajústelo si así fuera. Verifique y cambie (si fuera necesario) el arranque magnético defectuoso.
El motor zumba; el motor presenta un gran consumo de amperaje, se dispara una sobrecarga, se dispara el disyuntor o si salta un fusible al iniciarlo	Válvula de descarga del presostato defectuosa	Drene toda la presión del tanque. Vuelva a encender el compresor sin carga. Si el compresor puede iniciarse, entonces debe verificar la válvula de descarga. Si no se corrige el problema hará fallar al motor y/o a otros componentes eléctricos.
	Válvula de retención defectuosa – pérdida constante de presión en el tanque	Determine si la válvula de retención está funcionando correctamente, la válvula de descarga del presostato debería dejar de silbar luego de apagado el compresor. Si el silbido continúa y existe una pérdida constante de presión en el tanque entonces la válvula de retención no está funcionando correctamente. Cambie la válvula de retención
	Conexiones eléctricas sueltas	El sistema eléctrico completo debe ser verificado por un electricista certificado. Los cables entrantes y las conexiones eléctricas del compresor deben revisarse. Las conexiones sueltas provocarán funcionamientos defectuosos.
	Condensador de arranque defectuoso Problema de la válvula o junta rota	Verifique y cambie (si fuera necesario) el condensador de arranque defectuoso. Verifique la junta y cámbiela si fuera necesario. Otros síntomas tienen lugar cuando una válvula no está sellando o cuando se rompió una junta como por ejemplo un mayor consumo de amperaje lo cual puede dispara el disyuntor.
El compresor funciona pero acumula presión lentamente	Pérdida de aire	Revise el sistema completo en busca de pérdidas, incluyendo la unidad del compresor y cualquier tubería conectada al compresor.
	Filtro de aire sucio	Se deben cambiar los filtros de aire regularmente basándose en el uso y en el entorno. Un filtro sucio puede parecer limpio. Cambie los filtros a menudo.
	Problema de la válvula o junta rota	Verifique la junta y cámbiela si fuera necesario. Otros síntomas tienen lugar cuando una válvula no está sellando o cuando se rompió una junta como por ejemplo un mayor consumo de amperaje lo cual puede dispara el disyuntor.
	Tanque rajado	Cambie el tanque. <b>La unidad no debe ponerse en funcionamiento bajo ninguna condición.</b> Los tanques no pueden soldarse ni emparcharse.

*Continúa en la página siguiente*



## Guía de diagnóstico de problemas para unidades en servicio por un período de tiempo (continuación)

PROBLEMA	CAUSA	SOLUCIÓN
La válvula de seguridad intermedia salta cuando la unidad está en funcionamiento	Funcionamiento defectuoso de la válvula de seguridad intermedia	Problema de la válvula o junta rota. El aire de alta presión vuelve al lado de baja presión de la bomba. Esto es causado por una pérdida de la válvula o una junta rota.
	Baja torsión de los pernos de cabezal	Verifique y vuelva a ajustar los pernos de cabezal hasta la torsión especificada.
	Válvula de seguridad intermedia defectuosa	Cambie la válvula de seguridad intermedia. Bajo ninguna circunstancia enchufe el puerto de la válvula de seguridad
Respirador de salida del aceite	Anillos gastados o cilindro rayado	Cambie los anillos y/o cambie el cilindro.
	El compresor se calienta	Asegúrese de que el compresor esté funcionando con la rotación correcta. El compresor debe estar limpio y en un área con buena ventilación. El aceite debe cambiarse en intervalos regulares según las especificaciones mencionadas en el manual. Se debe cambiar el filtro cuando se ensucie.
Aceite lechoso en la caja del cigüeñal	Poco uso del compresor, el agua se condensa en la caja del cigüeñal	Haga funcionar el compresor de continuo durante 1 hora. El calor generado durante este período de funcionamiento evaporará la humedad del aceite.
	Tipo de aceite incorrecto	No utilice aceite de tipo automotriz SAE-30. Usar el aceite incorrecto puede causar varios problemas con la bomba y anular la garantía. Use solamente los aceites recomendados en el manual de funcionamiento.
	Entorno inadecuado	La unidad no debe ser instalada en un área con poco ventilada ni debe ser expuesta a condiciones extremas de frío o calor. El rango normal de funcionamiento debe ser de entre 32 °F y 100 °F (0 °C a 37,7 °C).
	Rotación incorrecta	Verifique para asegurarse de que el compresor esté funcionando en la dirección de la flecha del volante. El flujo de aire debe ser tal que el volante dirija el aire a través del cabezal de la bomba. Si se pone de pie en frente del compresor (el lado que no tiene el protector de la correa) el aire debe fluir de atrás hacia adelante.
	Leve pérdida de la válvula de retención del tanque	El aire se enfría y se condensa, luego vuelve a gotear en la bomba. Drenar el tanque luego del uso normalmente solucionará esta situación.
El presostato libera aire continuamente del la válvula de descarga.	Válvula de retención defectuosa.	Cambie la válvula de retención.
El presostato no libera aire cuando se apaga el compresor.	La válvula de descarga del presostato no está funcionando correctamente.	Drene toda la presión del tanque. Vuelva a encender el compresor sin carga. Si el compresor puede iniciarse, entonces debe verificar la válvula de descarga. Si no se corrige el problema hará fallar al motor y/o a otros componentes eléctricos.
El compresor no se apaga	Presostato defectuoso	Configuración demasiado alta. Si ajustar la configuración no funciona, reemplace el presostato.
	Válvula de seguridad defectuosa	Asegúrese de que el manómetro esté leyendo correctamente y si fuera necesario reemplace la válvula de seguridad del tanque.

Continúa en la página siguiente

**Guía de diagnóstico de problemas para unidades en servicio por un período de tiempo (continuación)**

<b>PROBLEMA</b>	<b>CAUSA</b>	<b>SOLUCIÓN</b>
La unidad vibra excesivamente	Sujetadores flojos	Esto incluye los pernos de montaje de la bomba, el motor, el protector de la correa, el arranque magnético, etc. Como parte del calendario de mantenimiento de rutina verifique que no existan sujetadores flojos. Ajuste todos los sujetadores flojos.
	Polea floja, correa floja o poleas desalineadas.	Es posible que con el tiempo sea necesario ajustar la polea y la correa. Es posible que sea necesario volver a alinear las poleas para asegurar un desgaste adecuado de la correa y una menor vibración. Las mismas deben ser verificadas como parte del mantenimiento habitual.
	Bomba defectuosa	Una bomba defectuosa implica una bomba que golpetea o hace ruidos que no son normales al diseño de la bomba. Una gran cantidad de aceite saliendo del respirador indica desgaste del anillo o del cilindro. Un bajo rendimiento de la bomba podría indicar problemas de válvula. Existen numerosos síntomas asociados con una bomba defectuosa. Deberá evaluarse la bomba.
Agua en el aire de descarga	Clima caluroso y húmedo	Durante clima caluroso y húmedo es normal que se acumule agua en el tanque del compresor. Esto es normal y requiere que el tanque se drene frecuentemente. Recomendamos el uso de un drenaje automático junto con filtros y secadoras si esto fuere un problema.
	Agua acumulada en el tanque	Drenar el agua del tanque evita la corrosión del tanque y el desgaste de la herramienta neumática. Se recomienda el uso de un drenaje automático junto con los filtros y secadoras para evitar que el agua ingrese a la salida del compresor.
Aceite en el aire de descarga	Filtro de entrada limitado	Se debe cambiar el filtro frecuentemente para evitar posibles problemas y para hacer que el funcionamiento del compresor sea eficiente. En la entrada del compresor se crea un vacío, el cual causa un gran consumo de aceite llevando el aceite a través de los anillos. También existe la posibilidad de que el medio de filtro se haya destruido, permitiendo que los contaminantes ingresen por la entrada y causen problemas de desgaste.
	Tipo de aceite incorrecto	No utilice aceite de tipo automotriz SAE-30. Usar el aceite incorrecto puede causar varios problemas con la bomba y anular la garantía. Use solamente los aceites recomendados en el manual de funcionamiento.
	Anillos gastados o cilindro rayado	Cambie los anillos y/o cambie el cilindro.
	El compresor se calienta	Asegúrese de que el compresor esté funcionando con la rotación correcta. El compresor debe estar limpio y en un área con buena ventilación. El aceite debe cambiarse en intervalos regulares según las especificaciones mencionadas en el manual. Se debe cambiar el filtro cuando se ensucie.



---

**Recordatorio:** ¡Guarde su comprobante de compra con fecha para fines de la garantía! Adjúntela a este manual o archívela en lugar seguro.

---

## Garantía Limitada

1. DURACIÓN: La bomba del compresor y el receptor de aire tienen una garantía de tres años a partir de la fecha de compra del comprador original. El equilibrio del paquete del compresor tiene una garantía de tres años a partir de la fecha de compra del comprador original.
  2. QUIEN OTORGA ESTA GARANTÍA (EL GARANTE: Campbell Hausfeld a Marmon/Berkshire Hathaway Company, 100 Production Drive, Harrison, Ohio 45030 Teléfono: 1-888-606-5587.
  3. QUIEN RECIBE ESTA GARANTÍA (EL COMPRADOR): El comprador original (sin fines de reventa) del compresor de aire Campbell Hausfeld.
  4. PRODUCTOS CUBIERTOS POR ESTA GARANTÍA: Compresores de aire Campbell Hausfeld series CE7000, CE8000 y CE9000.
  5. COBERTURA DE LA GARANTÍA: Piezas y mano de obra para remediar los defectos de material y/o mano de obra con excepción de lo que se indica a continuación.
  6. LO QUE NO ESTÁ CUBIERTO POR ESTA GARANTÍA:
    - A. Las garantías implícitas, incluyendo aquéllas de comerciabilidad e IDONEIDAD PARA FINES PARTICULARES, ESTÁN LIMITADAS A PARTIR DE LA FECHA DE COMPRA ORIGINAL DE ACUERDO CON LO ESPECIFICADO EN EL PÁRRAFO DE DURACIÓN. En algunos estados no se permiten las limitaciones a la duración de una garantía implícita, por lo cual las limitaciones antedichas pueden no ser aplicables en su caso.
    - B. CUALQUIER PÉRDIDA DAÑO INCIDENTAL, INDIRECTO O CONSECUENTE QUE PUEDA RESULTAR DE UN DEFECTO, FALLA O MALFUNCIONAMIENTO DEL PRODUCTO CAMPBELL HAUSFELD. En algunos estados no se permite la exclusión o limitación de daños incidentales o consecuentes, por lo tanto, en tales casos esta limitación o exclusión no es aplicable
    - C. Cualquier falla debida a:
      1. Accidente o abuso del comprador
      2. Instalación incorrecta
      3. Equipo que no ha sido operado o mantenido de acuerdo con las instrucciones detalladas de Campbell Hausfeld según lo detallado en el manual de operaciones que se entrega con el compresor.
      4. Equipo que ha sido reparado o modificado sin autorización de Campbell Hausfeld.
    - D. Los servicios requeridos antes de la entrega tales como: ensamblaje, aceite o lubricantes y ajustes.
    - E. Los efectos del uso y desgaste normales.
    - F. Los motores de gasolina están específicamente excluidos de la cobertura de esta garantía limitada. El comprador debe seguir las cláusulas de la garantía otorgada por el fabricante del motor de gasolina que se suministra con el producto.
    - G. Equipo que ha sido dañado en el tránsito.
  7. RESPONSABILIDADES DEL GARANTE BAJO ESTA GARANTÍA: Reparar o reemplazar, como lo decida el Garante, el compresor o componentes que estén defectuosos, se hayan dañado o hayan dejado de funcionar adecuadamente, durante el período de validez de la garantía. Las reparaciones cubiertas por la garantía se realizarán en la ubicación del comprador.
  8. RESPONSABILIDADES DEL COMPRADOR BAJO ESTA GARANTÍA:
    - A. Suministrar prueba fechada de compra y la historia de mantenimiento del producto.
    - B. Tener cuidado al utilizar el producto, tal como se indica(n) en el (los) manual(es) del propietario.
    - C. Reparaciones que requieran tiempo adicional al horario normal de trabajo, o cualquier asunto que exceda la tarifa normal de reembolso por mano de obra para reparaciones bajo la garantía del fabricante.
    - D. El tiempo requerido por cualquier control de seguridad, capacitación relacionada con seguridad, o asuntos similares necesarios para que el personal de servicio pueda tener acceso a las instalaciones.
    - E. La ubicación de la unidad debe tener espacio suficiente para que el personal de servicio pueda realizar reparaciones y debe ser fácilmente accesible.
  9. CUÁNDO EFECTUARÁ EL GARANTE LA REPARACIÓN O REEMPLAZO CUBIERTO BAJO ESTA GARANTÍA: La reparación o reemplazo dependerá del flujo normal de trabajo del centro de servicio y de la disponibilidad de repuestos.
- Esta garantía limitada es válida sólo en los EE.UU., Canadá y México y otorga derechos legales específicos. Usted también puede tener otros derechos que varían de un Estado a otro. o de un país a otro.