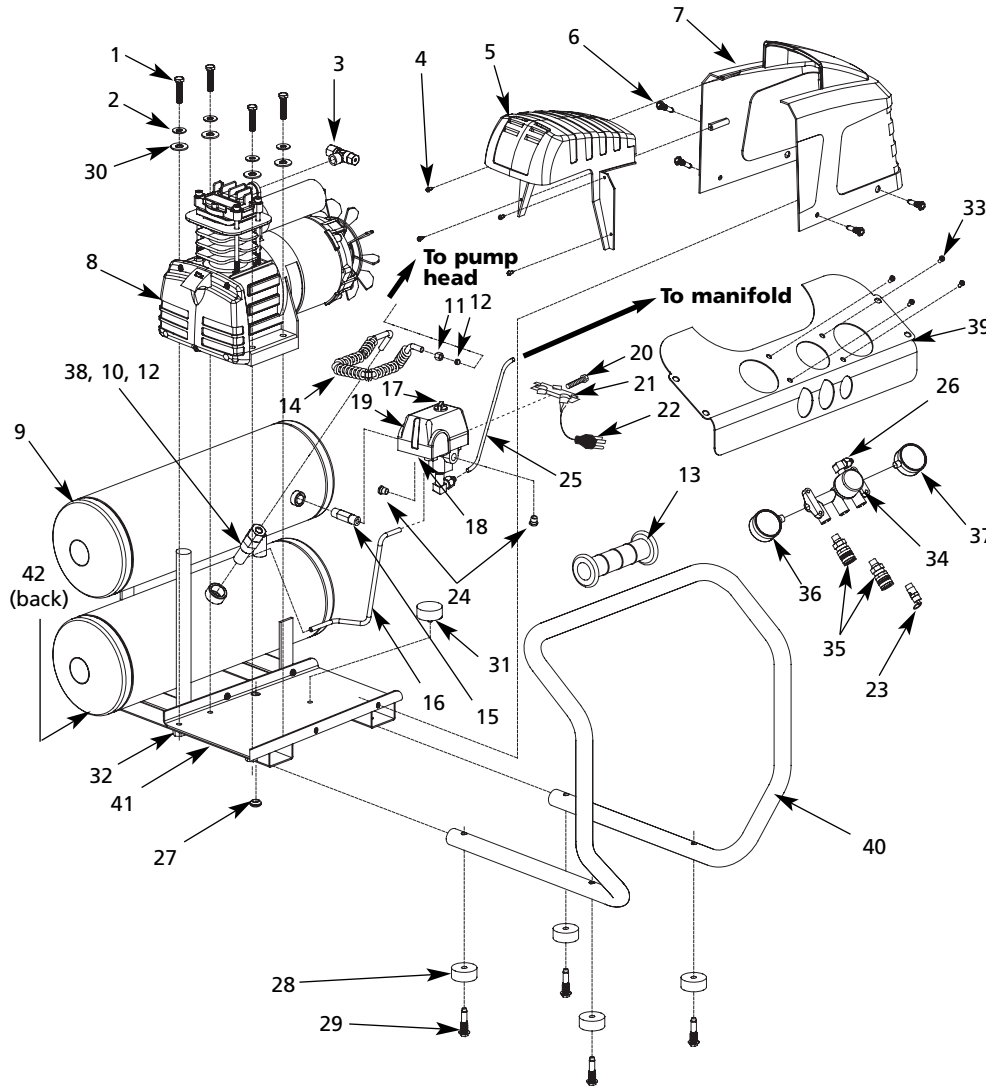
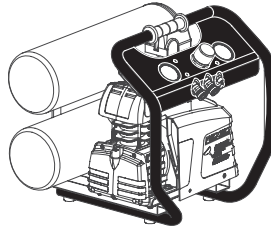




OL50135AL ALUMINUM TWIN STACK PORTABLE AIR COMPRESSOR

Core Manual Reference: IN6193



REPAIR PARTS - WHOLE UNIT

For Repair Parts, Call 1-800-4-RIDGID

Please provide following information:

- Model number
- Serial number (if any)
- Part description and number as shown in parts list

Ref. No.	Part Number	Description	Qty
1	HL015300AV	Self-tapping HHCS (M10 x 40)	4
2	N/A	Lock washer (metric 8.2)	4
*3	HL167700AV	Tee Fitting Assembly	1
4	N/A	Phillips head screw (M 4.2 x 10mm)	4
5	HL011100AV	Pump head shroud	1
6	N/A	Phillips HHCS (M6 x 19mm)	4
7	HL011200AV	Motor shroud	1
8	HL300001AV	Oil lube pump	1
9	AR057800AV	Twinstack tank	1
*10	CV223800AV	Check valve	1
11	HL009700AV	Hex nut	1
12	HL009800AV	Ferrule	2
13	ST185600AV	Handle Grip	1
14	—	Exhaust tube	1
15	HL015900AV	Pipe nipple 1/4" NPT	1
16	HL016000AV	Unloader tube (includes nuts & ferrules)	1
*17	CW213300AV	Pressure switch (includes pressure switch cover and unloader valve)	1
18	CW217700AV	Unloader Valve	1
*19	CW211700AV	Pressure switch cover	1
20	ST209800AV	Strain relief screw	1
21	CW209600AV	Strain relief	1
22	EC012602AV	Cord	1
23	V-215105AV	150 PSI safety valve	1
24	ST022500AV	1/4" - 18 NPT pipe plug	2
25	—	Control panel tube (includes tube inserts)	1
26	—	Elbow compression fitting (includes nut & ferrule)	2
27	HL015400AV	Grommet	1
28	ST192200AV	Rubber foot	4
29	ST073276AV	Self-tapping HHCS	4
30	N/A	Flat washer	4
31	ST192100AV	Motor support pad	1
32	N/A	Hex nut (8mm)	3
33	ST071626AV	Button head torx screw	4
*34	WL024501AV	Manifold assembly (Includes items 35, 36, 37)	1
*35	HF203300AV	1/4" Universal coupler	2
*36	GA016705AV	Outlet pressure gauge	1
*37	GA016709AV	Tank pressure gauge	1
38	N/A	Hex Nut	1
39	WL025800AV	Control Panel Bracket	1
40	WL025900AV	Roll Bar	1
41	HL029200AV	Motorcord clamp	1
42	D-1403	Drain valve	1

* Considered wear items N/A = Standard Hardware Item

REPAIR PARTS KITS

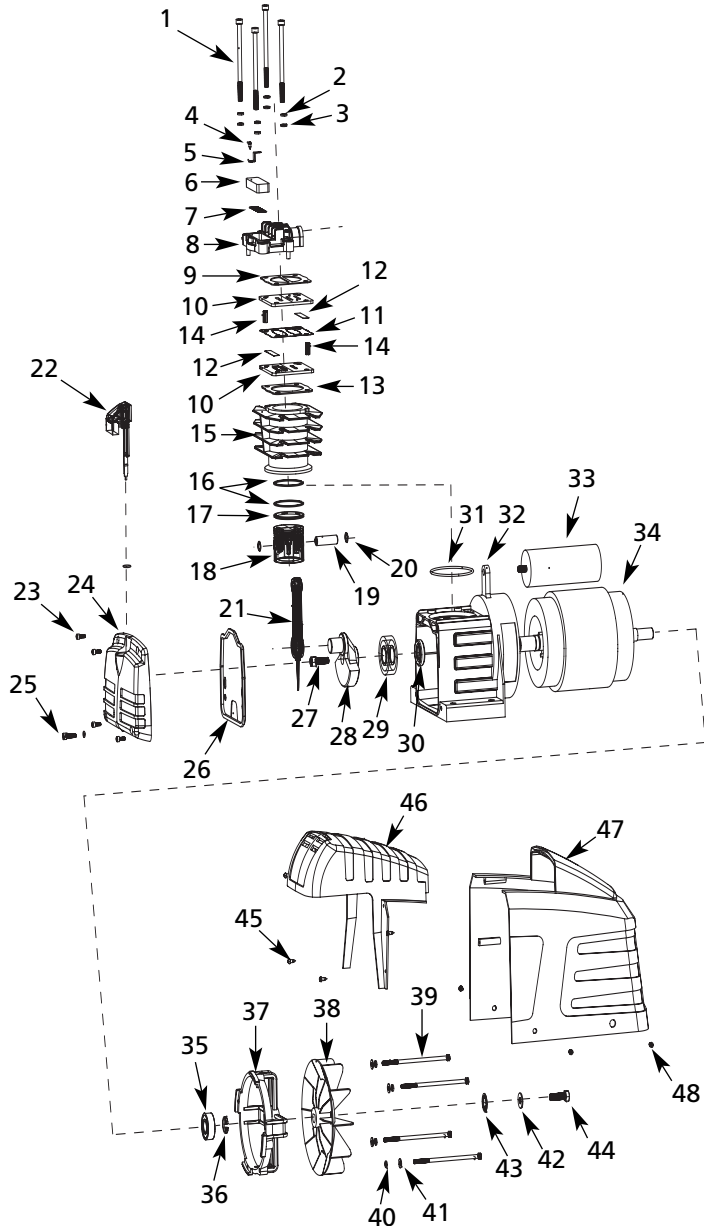
●	HL029100AV	Exhaust tube kit (without check valve)
▲	ST170400AV	Control panel tube kit (includes inserts, nuts, ferrules)

REPAIR PARTS - PUMP

For Repair Parts, Call 1-800-4-RIDGID

Please provide following information:

- Model number
- Serial number (if any)
- Part description and number as shown in parts list



Ref. No.	Part Number	Description	Qty
1	▲	Socket head cap screw M6 - 1.25 x 110 mm - cylinder head	4
2	▲	Lock washer M6	4
3	▲	Flat washer M6	4
4	■	Self-tapping Phillips head screw 3.5 mm OD x 12 mm	1
5	■	Air filter retainer clip	1
6	■	Air filter	1
7	■	Air filter screen	1
8	HL007600AV	Cylinder head	1
*9	●	Head gasket	1
10	●	Valve plate	2
*11	●	Center valve gasket	1
*12	●	Valve	2
*13	●	Cylinder gasket	1
14	●	Roll pin XC5.4 mm x 7 mm - valve plate	2
15	HL007500AV	Cylinder	1
16	◆▼	Compression ring	2
17	◆▼	Oil control ring	1
18	▼	Piston	1
19	▼	Wrist pin	1
20	▼	Wrist pin retainer	2
21	▼	Connecting rod	1
22	HL012000AV	Dipstick assembly with o-ring	1
23	†	Socket head cap screw M4-1.25 x 14 mm - front cover	4
24	†	Crankcase front cover	1
25	HL012100AV	Oil drain with o-ring - M5-1.25 x 10 mm	1
26	HL009100AV	Crankcase cover gasket	1
27	††	SHCS M8-1.25 x 25 mm L.X. thread - eccentric	1
28	††	Eccentric counter weight	1
29	††	Bearing - pump crankcase	1
30	††	Oil seal 20 mm x 35 mm x 7 mm - crankcase	1
31	●	Cylinder o-ring 65 mm x 2.65 mm	1
32	††	Crankcase	1
33	†† HL008500AV	Motor run capacitor	1
*34	††	Motor	1
*35	††	Motor bearing	1
*36	††	Motor bearing retainer	1
37	††	Motor rear end bell frame	1
38	†† ††	Motor fan	1
39	††	Hex head cap screw M5 - 1.25 x 11.5 mm - motor bolts	4
40	††	Flat washer M5	4
41	††	Lock washer M5	4
42	†† ††	Lock washer serrated 14.5 x 24 mm	1
43	†† ††	Flat washer - M8	1
44	†† ††	Hex head cap screw M8 - 1.25 x 30 mm - fan bolt	1
45	HL012800AV	Self tapping Phillips head screw 4.2 x 10 mm (screw kit)	4
46	HL011100AV	Pump head shroud	1
47	HL011200AV	Motor shroud	1
48	HL012900AV	Self-tapping Phillips head screw M6 - 19 mm (screw kit)	4

REPLACEMENT PARTS KITS		
▲	HL011500AV	Pump cylinder bolt kit
■	HL011600AV	Filter/screen kit
●	HL011700AV	Valve plate/gasket kit
◆	HL011800AV	Ring kit

REPLACEMENT PARTS KITS (Continued)		
▼	HL011900AV	Piston assembly
†	HL012200AV	Crankcase cover kit
††	HL012400AV	Motor kit
††	HL012500AV	Motor fan kit