

Please read and save these instructions. Read carefully before attempting to assemble, install, operate or maintain the product described. Protect yourself and others by observing all safety information. Failure to comply with instructions could result in personal injury and/or property damage! Retain instructions for future reference.

Oilless Compressors



Description

Oilless compressors are designed for do-it-yourselfers with a variety of home and automotive jobs. These compressors will power spray guns, impact wrenches and other tools. **These units operate without oil.**

Safety Guidelines

This manual contains information that is very important to know and understand. This information is provided for SAFETY and to PREVENT EQUIPMENT PROBLEMS. To help recognize this information, observe the following symbols.

⚠ DANGER

Danger indicates

an imminently hazardous situation which, if not avoided, will result in death or serious injury.

⚠ WARNING

Warning indicates

a potentially hazardous situation which, if not avoided, could result in death or serious injury.

⚠ CAUTION

Caution indicates

a potentially hazardous situation which, if not avoided, may result in minor or moderate injury.

NOTICE

Notice indicates

important information, that if not followed, may cause damage to equipment.

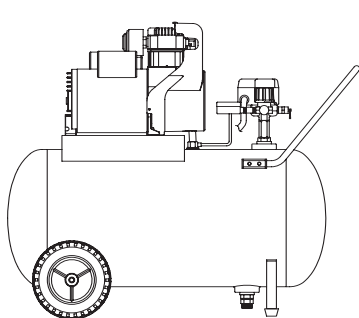
Unpacking

After unpacking the unit, inspect carefully for any damage that may have occurred during transit. Make sure to tighten fittings, bolts, etc., before putting unit into service. In case of questions, damaged or missing parts, please call 1-800-543-6400 for customer assistance or call the nearest Campbell Hausfeld Authorized Service Center.

Have the serial number, model number and parts list (with missing parts circled before calling).



DO NOT RETURN THE PRODUCT TO THE RETAILER!



Record the Model and Serial numbers (located on the compressor) and the date of purchase in the spaces below.

Model No. _____

Serial No. _____

Date of purchase _____

Retain these numbers for future reference.

⚠ WARNING

Do not operate

unit if damaged during shipping, handling or use. Damage may result in bursting and cause injury or property damage.

CALIFORNIA PROPOSITION 65

⚠ WARNING

This product

or its power cord may contain chemicals known to the State of California to cause cancer and birth defects or other reproductive harm. Wash hands after handling.

⚠ DANGER

Breathable Air Warning

This compressor/pump is NOT equipped and should NOT be used "as is" to supply breathing quality air. For any application of air for human consumption, you must fit the air compressor/pump with suitable in-line safety and alarm equipment. This additional equipment is necessary to properly filter and purify the air to meet minimal specifications for Grade D breathing as described in Compressed Gas Association Commodity Specification G 7.1 - 1966, OSHA 29 CFR 1910. 134, and/or Canadian Standards Associations (CSA).

DISCLAIMER OF WARRANTIES IN THE EVENT THE COMPRESSOR IS USED FOR THE PURPOSE OF BREATHING AIR APPLICATION AND PROPER IN-LINE SAFETY AND ALARM EQUIPMENT IS NOT SIMULTANEOUSLY USED, EXISTING WARRANTIES ARE VOID, AND CAMPBELL HAUSFELD DISCLAIMS ANY LIABILITY WHATSOEVER FOR ANY LOSS, PERSONAL INJURY OR DAMAGE.

General Safety

Since the air compressor and other components (material pump, spray guns, filters, lubricators, hoses, etc.) used, make up a high pressure pumping system, the following safety precautions must be observed at all times:


1. Read all manuals included with this product carefully. Be thoroughly familiar with the controls and the proper use of the equipment.



REMINDER: Keep your dated proof of purchase for warranty purposes! Attach it to this manual or file it for safekeeping.

Operating Instructions

General Safety (Con't)

- Follow all local electrical and safety codes, as well as in the U.S.A., National Electrical Codes (NEC) and Occupational Safety and Health Act (OSHA).
- Only persons well acquainted with these rules of safe operation should be allowed to use the compressor.
- Keep visitors away and NEVER allow children in the work area.
- Wear safety glasses and use hearing protection when operating the pump or unit. 
- Do not stand on or use the pump or unit as a handhold.
- Before each use, inspect compressed air system and electrical components for signs of damage, deterioration, weakness or leakage. Repair or replace defective items before using.
- Check all fasteners at frequent intervals for proper tightness.

⚠️ WARNING

Motors, electrical equipment and controls can cause electrical arcs that will ignite a flammable gas or vapor. Never operate or repair in or near a flammable gas or vapor. Never store flammable liquids or gases in the vicinity of the compressor.



⚠️ CAUTION

Compressor parts may be hot even if the unit is stopped.



- Keep fingers away from a running compressor; fast moving and hot parts will cause injury and/or burns.
- If the equipment should start to abnormally vibrate, STOP the engine/motor and check immediately for the cause. Vibration is generally a warning of trouble.
- To reduce fire hazard, keep engine/motor exterior free of oil, solvent, or excessive grease.

⚠️ WARNING

Never remove or attempt to adjust safety valve. Keep safety valve free from paint and other accumulations.

⚠️ DANGER

Never attempt to repair or modify a tank! Welding, drilling or any other modification will weaken the tank resulting in damage from rupture or explosion. Always replace worn or damaged tanks.



⚠️ CAUTION

Drain liquid from tank daily.


- Tanks rust from moisture build-up, which weakens the tank. Make sure to drain tank daily and inspect periodically for unsafe conditions such as rust formation and corrosion.
- Fast moving air will stir up dust and debris which may be harmful. Release air slowly when draining moisture or depressurizing the compressor system.

SPRAYING PRECAUTIONS

⚠️ WARNING

Do not spray flammable materials in vicinity of open flame or near ignition sources including the compressor unit.



- Do not smoke when spraying paint, insecticides, or other flammable substances.
- Use a face mask/respirator when spraying and spray in a well ventilated area to prevent health and fire hazards. 
- Do not direct paint or other sprayed material at the compressor. Locate compressor as far away from the spraying area as possible to minimize overspray accumulation on the compressor.
- When spraying or cleaning with solvents or toxic chemicals, follow the instructions provided by the chemical manufacturer.

⚠️ DANGER

Risk of electrical shock. Turn off and unplug before servicing. Service should be performed by an authorized service center.



Assembly

HANDLE ASSEMBLY (Figure 1)

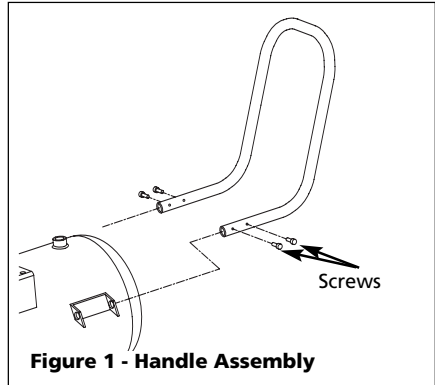


Figure 1 - Handle Assembly

- Place ends of handle into handle inserts on sides of tank.
- Assemble four (4) screws (from parts package) through holes in handle.

⚠️ WARNING

Never use the handle to lift the unit completely off the ground. Only use the handle to lift one end so the wheels may be used to move the unit.

WHEEL ASSEMBLY (Figure 2)

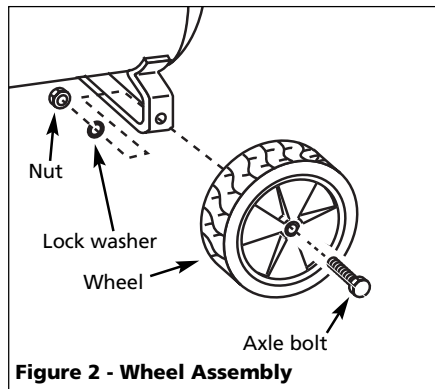


Figure 2 - Wheel Assembly

Wheel assembly kit includes:

- 2 wheels*
- 2 axle bolts*
- 2 lock washers*
- 2 nuts*

The items marked with an asterisk (*) were shipped loose with the unit.

- Wheel has an offset hub. With offset hub facing axle iron, assemble axle bolt through holes in wheel and axle iron.

Assembly (Continued)

- Place lock washer on axle bolt. Then tighten nut securely to threaded part of axle bolt.
- Repeat procedure with other side.

Installation

LOCATION

The tank must sit level or slope slightly towards the drain valve to allow the tank to drain properly.

It is extremely important to install the compressor in a clean, well ventilated area where the surrounding air temperature will not be more than 100°F.

A minimum clearance of 18 inches between the compressor and a wall is required because objects could obstruct air flow.

CAUTION

Do not locate the compressor air inlet near steam, paint spray, sandblast areas or any other source of contamination. This debris will damage the motor.

ELECTRICAL INSTALLATION

WARNING

All wiring and electrical connections should be performed by a qualified electrician. Installation must be in accordance with local codes and national electrical codes.

CAUTION

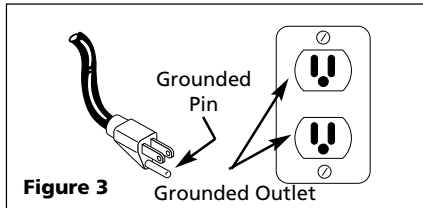
Never use an extension cord with this product. Use additional air hose instead of an extension cord to avoid power loss and permanent motor damage. Use of an extension cord voids the warranty.



GROUNDING INSTRUCTIONS

- This product is for use on a nominal 120 volt circuit and has a grounding plug that looks like the plug illustrated in Figure 3. Make sure the product is connected to an outlet having the same configuration as the plug. Do not use an adapter with this product. This product must be grounded. In the event of an electrical short circuit, grounding reduces risk of electrical shock by

providing an escape wire for electric current. This product is equipped with a cord having a grounding wire with an appropriate grounding plug. Cord must be plugged into an outlet that is properly installed and grounded in accordance with all local codes and ordinances.



DANGER

Improper use of grounding plug can result in a possible risk of electrical shock!



DANGER

Do not use a grounding adapter with this product!

- If repair or replacement of cord or plug is necessary, do not connect grounding wire to either flat blade terminal. The wire with insulation having an external surface that is green (with or without yellow stripes) is the grounding wire.

WARNING

Never connect green (or green and yellow) wire to a live terminal.

- Check with a qualified electrician or serviceman if grounding instructions are not completely understood, or if in doubt as to whether product is properly grounded. Do not modify plug provided; if it will not fit outlet, have proper outlet installed by a qualified electrician.

WIRING

- Local electrical wiring codes differ from area to area. Source wiring, plug and protector must be rated for at least the amperage and voltage indicated on motor nameplate, and meet all electrical codes for this minimum.

MOISTURE IN COMPRESSED AIR

Moisture in compressed air will form into droplets as it comes from an air compressor pump. When humidity is high or when a compressor is in continuous use for an extended period of time, this moisture will collect in the tank. When using a paint spray or sandblast gun, this water will be carried from the tank through the hose, and out of the gun as droplets mixed with the spray material.

IMPORTANT: This condensation will cause water spots in a paint job, especially when spraying other than water based paints. If sandblasting, it will cause the sand to cake and clog the gun, rendering it ineffective. A filter in the air line (MP3105), located as near to the gun as possible, will help eliminate this moisture.

- Use a slow blow fuse or a circuit breaker.

CAUTION

Overheating, short circuiting and fire damage will result from inadequate wiring, etc.

NOTE: 120 volt, 15 amp units can be operated on a 120 volt circuit under the following conditions:

- No other electrical appliances or lights are connected to the same branch circuit.
 - Voltage supply is normal.
 - Circuit is equipped with a 15 amp circuit breaker or a 15 amp slow blow fuse.
- If these conditions cannot be met or if nuisance tripping of current protection device occurs, it may be necessary to operate compressor from a 120 volt, 20 amp circuit.

Operating Instructions

Operation

DEFINITION OF TERMS

Pressure Switch - Auto/Off Switch - In the **AUTO** position, the compressor shuts off automatically when tank pressure reaches the maximum preset pressure. In the **OFF** position, the compressor will not operate. This switch should be in the **OFF** position when connecting or disconnecting the power cord from the electrical outlet or when changing air tools.

ASME Safety Valve - This valve automatically releases air if the tank pressure exceeds the preset maximum.

Discharge Tube - This tube carries compressed air from the pump to the check valve. This tube becomes very hot during use. To avoid the risk of severe burns, never touch the discharge tube.

Check Valve - One-way valve that allows air to enter the tank, but prevents air in the tank from flowing back into the compressor pump.

Drain Valve - This valve is located on the bottom of the tank. Use this valve to drain moisture from the tank daily to reduce the risk of corrosion.

Regulator - The regulator controls the amount of air pressure at the hose outlet. Turning regulator knob clockwise (to the right) will increase air pressure at the outlet. Turning knob counterclockwise (to the left) will lower air pressure to the outlet. Turning knob fully counterclockwise will shut off flow of air completely.

Pressure Gauges - These gauges will show air pressure in the compressor tank and at the compressor outlet.

Outlet Pressure Gauge - Will show air pressure at the outlet in pounds per square inch (psi). Make sure this gauge reads ZERO (by adjusting regulator

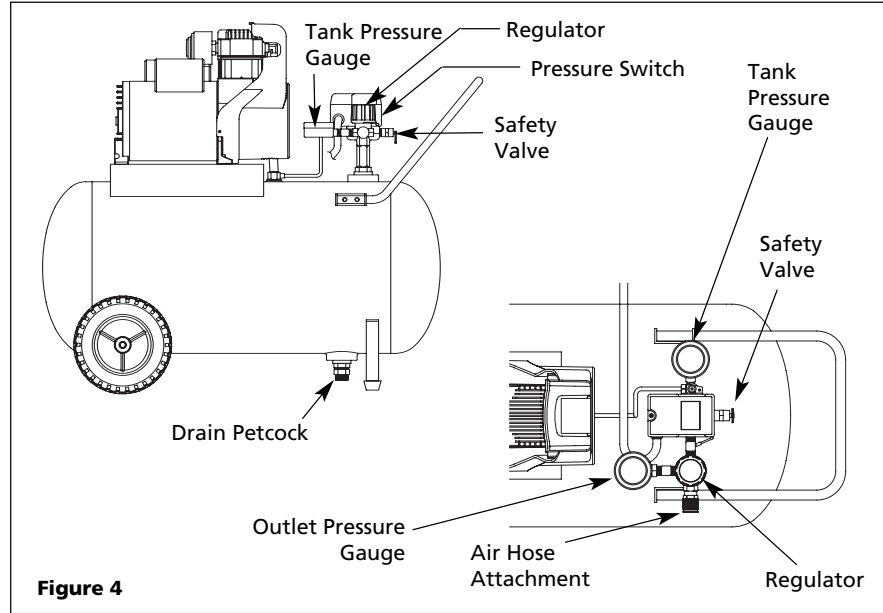


Figure 4

knob fully counterclockwise) before changing air tools or disconnecting air hose from outlet.

Tank Pressure Gauge - Will show air pressure in tank while the compressor is running, indicating compressor is building pressure properly. This gauge will show maximum pressure of compressor when it shuts off automatically at the pressure switch.

LUBRICATION

This is an oilless product and **does not** require lubrication to operate.

CAUTION

Do not attach air chuck or other tool to open end of hose until start-up has been completed and unit checks OK.

IMPORTANT: Do not operate compressor before reading instructions or damage may result.

OPERATING PROCEDURE

1. Turn switch to OFF position and plug in power cord.

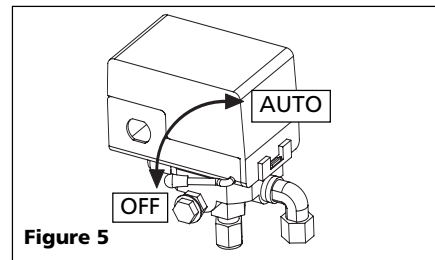


Figure 5

2. Turn regulator knob counterclockwise to close air flow.
3. Turn switch to AUTO position.
4. Compressor will build to maximum pressure and shut off.
5. With hose attached to outlet of compressor, attach tire chuck or other tool to open end of hose.
6. Adjust regulator to proper pressure for tool or tire. Operate tool per instructions.

As air is depleted from the tank by use of a tire chuck, tool, etc., the compressor will restart automatically at its preset "cut-in" pressure. When a tool is being used continuously, the compressor will cycle on and off automatically.

7. Turn switch to OFF position, unplug power cord and drain tank of air when finished using compressor.

Minimum Gauge of Extension Cord		
25 ft.	50 ft.	100 ft.
14	12	10

Maintenance

⚠ WARNING

Disconnect power source then release all pressure from the system before attempting to install, service, relocate or perform any maintenance. Service should be performed by an authorized service representative.



The compressor should be checked often for any visible problems and the following maintenance procedures should be performed each time the compressor is used.

ASME SAFETY VALVE

⚠ WARNING

Do not remove or attempt to adjust the safety valve!

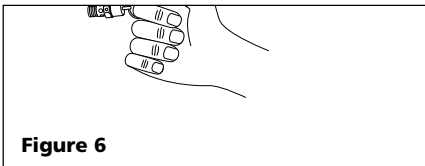


Figure 6

Check the safety valve by performing the following steps:

1. Plug the compressor in and run until shut off pressure is reached (see Operating Procedure).
2. Wearing safety glasses, pull the ring on the safety valve to release pressure from compressor tank. Use your other hand to deflect fast-moving air from being directed toward your face.
3. The safety valve should automatically close at approximately 40-50 psi. If the safety valve does not allow air to be released when you pull on the ring, or if it does not close automatically, it MUST be replaced.

DRAIN TANK

With compressor shut off and pressure released: Drain moisture from tank by opening drain valve underneath tank (See Figure 7).

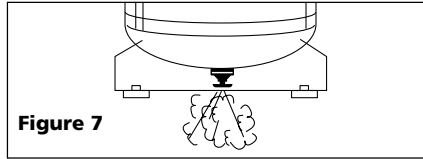


Figure 7

CLEANING

Turn power OFF and clean dust and dirt from motor, tank, air lines and pump cooling fins.

IMPORTANT: Unit should be located as far from spraying area as hose will allow to prevent over-spray from clogging air filter.

AIR FILTER

Check air filter to be sure it is clean. To service a filter, remove the filter housing cover. Remove filter and clean in hot, soapy water (Paper filters cannot be washed). Rinse and let dry. Replace air filters that cannot be cleaned. Place filter back in the housing base. Replace cover.

LUBRICATION

This is an oilless type compressor requiring no lubrication.

THERMAL OVERLOAD PROTECTOR

⚠ CAUTION

This com-

pressor is equipped with an automatic reset thermal overload protector which will shut off motor if it becomes overheated.

If thermal overload protector shuts motor OFF frequently look for the following causes:

1. Low voltage
2. Lack of proper ventilation

⚠ CAUTION

If the thermal

overload protector is actuated, the motor must be allowed to cool down before start-up is possible. The motor will automatically restart without warning if left plugged into electrical outlet and unit is turned on.

TORQUE REQUIREMENTS

Connecting rod bolt 20 in. lbs.
Compressor hd. bolts. . . 100-110 in. lbs.
Motor bolts 35 in. lbs.
Mounting bolts 90 in. lbs.

END OF OPERATION/STORAGE

1. Turn AUTO/OFF switch to the OFF position.
2. Unplug power cord from wall outlet and wrap around handle to prevent damage when not in use.
3. Wearing safety glasses drain tank of air by pulling the ring on the safety valve. Use other hand to deflect fast moving air from being directed toward your face.
4. Drain tank of condensation by opening drain valve on bottom of tank. Tank pressure should be below 10 psi when draining tank.
5. Air hose should be disconnected from compressor and hung open ends down to allow any moisture to drain.
6. Compressor and hose should be stored in a cool, dry place.

Operating Instructions

Troubleshooting Chart

Symptom	Possible Cause(s)	Corrective Action
Compressor will not run	<ol style="list-style-type: none"> 1. No electrical power 2. Breaker open 3. Pressure switch bad 4. Motor over worked 5. Tank pressure above cut-in 	<ol style="list-style-type: none"> 1. Plugged in? Switch on? Check fuse/breaker 2. Reset, determine cause of problem 3. Replace 4. Turn off, let cool, turn on. 5. Bleed tank pressure down to cut-in.
Fuses blow/circuit breaker trips repeatedly	<ol style="list-style-type: none"> 1. Incorrect size fuse, circuit overloaded 2. Extension cord usage - wrong gauge wire and/or too long. 3. Worn check valve 4. Defective unloader valve (on pressure switch) 5. Defective motor capacitor(s) 6. Defective motor 	<ol style="list-style-type: none"> 1. Check for proper fuse, use time-delay fuse. Disconnect other electrical appliances from circuit or operate compressor on its own branch circuit 2. Remove extension cord or refer to Extension Cord Chart on page 4 3. Replace check valve <p style="text-align: center;">⚠ DANGER</p> <p><i>Do not disassemble check valve with air in tank; bleed tank</i></p> <ol style="list-style-type: none"> 4. Replace unloader valve. 5. Replace capacitor(s) 6. Replace motor
Tank pressure drops when compressor shuts off	<ol style="list-style-type: none"> 1. Loose connections (fittings, tubing, etc.) 2. Open tank drain valve 	<ol style="list-style-type: none"> 1. Check all connections with soap and water solution. Tighten; or remove and apply pipe dope or pipe tape to the threads, then reassemble. 2. Close tank drain valve
Air output lower than normal/low discharge pressure	<ol style="list-style-type: none"> 1. Excessive air usage 2. Clogged intake filter 3. Open tank drain valve 4. Air leaks in piping (on machine or in outside system) 5. Piston ring worn 6. Broken valve (in pump) 	<ol style="list-style-type: none"> 1. Decrease air usage; compressor not large enough for air requirement 2. Clean or replace filter 3. Close tank drain valve 4. Check all connections with soap and water solution. Tighten; or remove and apply pipe dope or pipe tape to the threads, then reassemble. 5. Replace piston and cylinder. 6. Replace valve
Excessive moisture in discharge air	<ol style="list-style-type: none"> 1. Excessive water in tank 2. High humidity 	<ol style="list-style-type: none"> 1. Drain tank 2. Move to area of less humidity; use air line filter
Compressor runs continuously	<ol style="list-style-type: none"> 1. Defective pressure switch 2. Excessive air usage 	<ol style="list-style-type: none"> 1. Replace switch 2. Decrease air usage; compressor not large enough for air requirement

Continued on next page

Troubleshooting Chart

Symptom	Possible Cause(s)	Corrective Action
Motor hums but cannot run or runs slowly	1. Circuit overloaded	1. Disconnect other electrical appliances from circuit or operate compressor on its own branch circuit
	2. Extension cord usage - wrong gauge wire and/or too long.	2. Remove extension cord or refer to Extension Cord Chart on page 4
	3. Loose electrical connections	3. Check all electrical connections
	4. Worn check valve	4. Replace check valve
	⚠ DANGER <i>Do not disassemble check valve with air in tank;</i>	
	5. Defective unloader valve (on pressure switch)	5. Replace unloader valve
	6. Defective motor capacitor(s)	6. Replace capacitor(s)
Thermal overload protector cuts out repeatedly	7. Defective motor	7. Replace motor
	1. Lack of proper ventilation / room temperature too high	1. Move compressor to well ventilated area
	2. Clogged intake filter	2. Clean or replace filter
	3. Circuit overloaded	3. Check for proper fuse, use time-delay fuse. Disconnect other electrical appliances from circuit or operate compressor on its own branch circuit
	4. Extension cord usage - wrong gauge wire and/or too long.	4. Remove extension cord or refer to Extension Cord Chart on page 4
	5. Worn check valve	5. Replace check valve
	⚠ DANGER <i>Do not disassemble check valve with air in tank;</i>	
6. Defective unloader valve (on pressure switch)	6. Replace unloader valve.	
7. Defective motor	7. Replace motor	

Operating Instructions

Limited Warranty

1. DURATION: From the date of purchase by the original purchaser: One Year.
 2. WHO GIVES THIS WARRANTY (WARRANTOR):
Campbell Hausfeld / Scott Fetzer Company, 100 Production Drive, Harrison, Ohio, 45030, Telephone: (800) 543-6400
 3. WHO RECEIVES THIS WARRANTY (PURCHASER): The original purchaser (other than for purposes of resale) of the Campbell Hausfeld compressor.
 4. WHAT PRODUCTS ARE COVERED BY THIS WARRANTY: Any Campbell Hausfeld air compressor.
 5. WHAT IS COVERED UNDER THIS WARRANTY: Parts and Labor to remedy substantial defects due to material and workmanship during the first year of ownership with the exceptions noted below.
 6. WHAT IS NOT COVERED UNDER THIS WARRANTY:
 - A. Implied warranties, including those of merchantability and FITNESS FOR A PARTICULAR PURPOSE ARE LIMITED FROM THE DATE OF ORIGINAL PURCHASE AS STATED IN THE DURATION. If the compressor is used for commercial, industrial or rental purposes, the warranty will apply for ninety (90) days from the date of purchase. Some States do not allow limitations on how long an implied warranty lasts, so the above limitations may not apply to you
 - B. ANY INCIDENTAL, INDIRECT, OR CONSEQUENTIAL LOSS, DAMAGE, OR EXPENSE THAT MAY RESULT FROM ANY DEFECT, FAILURE, OR MALFUNCTION OF THE CAMPBELL HAUSFELD PRODUCT. Some States do not allow the exclusion or limitations of incidental or consequential damages, so the above limitation or exclusion may not apply to you.
 - C. Any failure that results from an accident, purchaser's abuse, neglect or failure to operate products in accordance with instructions provided in the owner's manual(s) supplied with compressor.
 - D. Pre-delivery service, i.e. assembly, oil or lubricants, and adjustment.
 - E. Items or service that is normally required to maintain the product, i.e. lubricants, filters and gaskets, etc.
 - F. Gasoline engines and components are expressly excluded from coverage under this limited warranty. The Purchaser must comply with the warranty given by the engine manufacturer which is supplied with the product
 - G. Additional items not covered under this warranty:
 1. Excluded items pertaining to All Compressors
 - a. Any component damaged in shipment or any failure caused by installing or operating unit under conditions not in accordance with installation and operation guidelines or damaged by contact with tools or surroundings.
 - b. Pump or valve failure caused by rain, excessive humidity, corrosive environments or other contaminants.
 - c. Cosmetic defects that do not interfere with compressor functionality.
 - d. Rusted tanks, including but not limited to rust due to improper drainage or corrosive environments.
 - e. The following components are considered normal wear items and are not covered after the first year of ownership. Electric motor, check valve, pressure switch, regulator, pressure gauges, hose, tubing, pipe, fittings and couplers, screws, nuts, hardware items, belts, pulleys, flywheel, air filter and housing, gaskets, seals, oil leaks, air leaks, oil consumption or usage, piston rings.
 - f. Tank drain valves.
 - g. Damage due to incorrect voltage or improper wiring.
 - h. Other items not listed but considered general wear parts.
 - i. Pressure switches, air governors, load/unload devices, throttle control devices and safety valves modified from factory settings.
 - j. Damage from inadequate filter maintenance.
 - k. Induction motors operated with electricity produced by a generator.
 2. Excluded items specific to Lubricated Compressors:
 - a. Pump wear or valve damage caused by using oil not specified.
 - b. Pump wear or damage caused by any oil contamination.
 - c. Pump wear or damage caused by failure to follow proper oil maintenance guidelines, operation below proper oil level or operation without oil.
 7. RESPONSIBILITIES OF WARRANTOR UNDER THIS WARRANTY: Repair or replace, at Warrantor's option, compressor or component which is defective, has malfunctioned and/or failed to conform within duration of the warranty period.
 8. RESPONSIBILITIES OF PURCHASER UNDER THIS WARRANTY:
 - A. Provide dated proof of purchase and maintenance records.
 - B. Portable compressors or components must be delivered or shipped to the nearest Campbell Hausfeld Authorized Service Center. Freight costs, if any, must be borne by the purchaser.
 - C. Use reasonable care in the operation and maintenance of the products as described in the owner's manual(s).
 - D. Repairs requiring overtime, weekend rates, or anything beyond the standard manufacturer warranty repair labor reimbursement rate.
 - E. Time required for any security checks, safety training, or similar for service personnel to gain access to facility.
 - F. Location of unit must have adequate clearance for service personnel to perform repairs and easily accessible.
 9. WHEN WARRANTOR WILL PERFORM REPAIR OR REPLACEMENT UNDER THIS WARRANTY: Repair or replacement will be scheduled and serviced according to the normal work flow at the servicing location, and depending on the availability of replacement parts.
- This Limited Warranty applies in the U.S., Canada and Mexico only and gives you specific legal rights. You may also have other rights which vary from State to State or country to country.

S'il vous plaît lire et conserver ces instructions. Lire attentivement avant de monter, installer, utiliser ou de procéder à l'entretien du produit décrit. Se protéger ainsi que les autres en observant toutes les instructions de sécurité, sinon, il y a risque de blessure et/ou dégâts matériels! Conserver ces instructions comme référence.

Compresseur Sans Huile

Description

Les compresseurs sans huile sont conçus pour les bricoleurs avec projets domestiques et d'automobile.

Ces compresseurs servent à faire fonctionner les pistolets à peinture, clés à choc et autres outils. **Ces modèles fonctionnent sans huile.**

Directives de Sécurité

Ce manuel contient de l'information très importante qui est fournie pour la SÉCURITÉ et pour ÉVITER LES PROBLÈMES D'ÉQUIPEMENT. Rechercher les symboles suivants pour cette information.

⚠ DANGER

Danger indique

une situation hasardeuse imminente qui résultera en perte de vie ou blessures graves.

⚠ AVERTISSEMENT

Avertissement

indique une situation hasardeuse potentielle qui PEUT résulter en perte de vie ou blessures graves.

⚠ ATTENTION

Attention indique

une situation hasardeuse potentielle qui PEUT résulter en blessures.

AVIS

Avis indique

de l'information importante pour éviter le dommage de l'équipement.

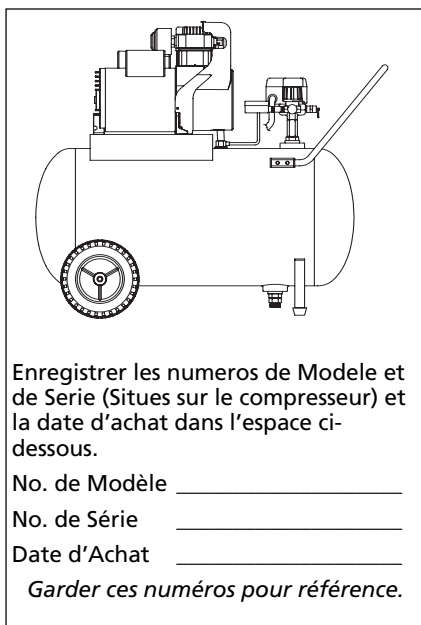
Déballage

Lors du déballage de ce produit, l'examiner soigneusement pour rechercher toute trace de dommage susceptible de s'être produit en cours de transport. Veiller à serrer tout raccord, boulon, etc., avant de mettre ce produit en service. En cas de dommage ou de parties manquantes, S.V.P. composer le 1-800-543-6400 pour demander conseil ou appeler un Centre De Service Autorisé Campbell Hausfeld.

Prière d'avoir le numéro de série, numéro de modèle et liste de parties (avec les parties manquantes encerclées) avant d'appeler.



NE PAS RENVoyer LE PRODUIT AU MARCHAND!



Enregistrer les numéros de Modèle et de Série (Situés sur le compresseur) et la date d'achat dans l'espace ci-dessous.

No. de Modèle _____

No. de Série _____

Date d'Achat _____

Garder ces numéros pour référence.

⚠ AVERTISSEMENT

Ne pas utiliser

un modèle qui a été endommagé pendant le transport, la manipulation ou l'utilisation. Le dommage peut résulter en explosion et peut causer des blessures ou dégâts matériels.

PROPOSITION 65 DE CALIFORNIE

⚠ AVERTISSEMENT

Ce produit ou son cordon peuvent contenir des produits chimiques qui, de l'avis de l'État de Californie, causent le cancer et des anomalies congénitales ou autres problèmes de reproduction. Lavez-vous les mains après la manipulation.

⚠ DANGER

Avertissement D'Air Respirable

Ce compresseur/pompe n'est pas équipé pour et ne devrait pas être utilisé "comme soi" pour fournir de l'air respirable. En cas d'applications d'air pour la consommation humaine, le compresseur d'air/pompe doit être équipé avec de l'équipement de sécurité en canalisation et d'alarme. Cet équipement additionnel est nécessaire pour filtrer et purifier l'air afin d'atteindre les spécifications minimales pour la respiration Grade D décrites dans le Compressed Gas Association Commodity Specification G 7.1 - 1966, OSHA 29 CFR 1910. 134, et/ou Canadian Standards Associations (CSA).

DÉNÉGATION DES GARANTIES
SI LE COMPRESSEUR EST UTILISÉ POUR LES APPLICATIONS D'AIR RESPIRABLE ET L'ÉQUIPEMENT DE SÉCURITÉ EN CANALISATION ET D'ALARME N'EST PAS UTILISÉ SIMULTANÉMENT, LES GARANTIES EN EXISTANCE SERONT ANNULÉES, ET CAMPBELL HAUSFELD NIE TOUTE RESPONSABILITÉ POUR N'IMPORTE QUELLE PERTE, BLESSURE OU DOMMAGE.

Généralités sur la Sécurité

Puisque le compresseur d'air et les autres pièces détachées (pompe, pistolets, filtres, graisseurs, tuyaux, etc.) font partie d'un système de haute pression, il est nécessaire de suivre les précautions suivantes:

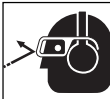
1. Lire attentivement tous manuels compris avec ce produit. Se familiariser avec ce produit, ses commandes et son utilisation.



MÉMENTO: Gardez votre preuve datée d'achat à fin de la garantie!
Joignez-la à ce manuel ou classez-la dans un dossier pour plus de sécurité.

Instructions d'Utilisation

Généralités sur la Sécurité (suite)

- Suivre tous les codes de sécurité locaux ainsi que les National Electrical Codes (NEC) and Occupational Safety and Health Act (OSHA) des É.-U.
- Seules les personnes bien familiarisées avec ces règles d'utilisation doivent être autorisées à se servir du compresseur.
- Garder les visiteurs à l'écart de/et NE JAMAIS permettre les enfants dans l'endroit de travail.
- Utiliser des lunettes de sécurité et la protection auditive pendant l'utilisation du modèle. 
- Ne pas se tenir debout sur/ni utiliser le modèle comme une prise.
- Inspecter le système d'air comprimé et pièces détachées électriques pour toute indication de dommage, détérioration, faiblesse ou fuites avant chaque utilisation. Réparer ou remplacer toutes pièces défectueuses avant l'utilisation.
- Inspecter le degré de serrage de toutes attaches par intervalles régulières.

⚠ AVERTISSEMENT

Ne jamais essayer de réparer ou de modifier un réservoir! Le soudage, perçage ou autre modifications peuvent affaiblir le réservoir et peuvent résulter en dommage de rupture ou d'explosion. Toujours remplacer un réservoir usé, fendu ou endommagé.



⚠ ATTENTION

Les pièces du compresseur peuvent être chaudes, même si le modèle est hors circuit.



- Garder les doigts à l'écart du compresseur; les pièces mobiles et chaudes peuvent causer des blessures et/ou des brûlures.
- Si l'équipement vibre anormalement, ARRÊTER le moteur et l'inspecter immédiatement. La vibration est généralement une indication d'un problème.

- Pour réduire le risque d'incendie, garder l'extérieur du moteur libre d'huile, de solvant ou de graisse excessive.

⚠ AVERTISSEMENT Ne jamais enlever ou essayer d'ajuster la soupape de sûreté. Tenir la soupape de sûreté libre de peinture et d'autres accumulations.

⚠ DANGER

Ne jamais essayer de réparer ou de modifier un réservoir! Le soudage, perçage ou autre modifications peuvent affaiblir le réservoir et peuvent résulter en dommage de rupture ou d'explosion. Toujours remplacer un réservoir usé, fendu ou endommagé.



AVIS

Purger le réservoir quotidiennement.

- L'accumulation d'humidité cause la rouille qui peut affaiblir le réservoir. Assurez vous de drainer le réservoir chaque jour et de contrôler périodiquement pour découvrir de conditions de danger comme la formation d'oxydation et la corrosion.
- L'air mouvante peut agiter la poussière et le débris qui peut être dangereux. Lâcher l'air lentement en purgeant l'humidité ou pendant la dépressurisation du système du compresseur.

PRÉCAUTIONS DE PULVÉRISATION

⚠ AVERTISSEMENT

Ne pas pulvériser les matériaux inflammables dans un endroit de flamme ouverte ni près d'une source d'ignition y compris le compresseur.



- Ne pas fumer pendant la pulvérisation de la peinture, d'insecticides ou autres matières inflammables.
- Utiliser un masque/ respirateur pendant la pulvérisation et pulvériser dans un endroit bien ventilé pour éviter le risque de blessures et d'incendie.
- Ne pas diriger la peinture ou autre matériel pulvérisé vers le compresseur. Situer le compresseur aussi loin que possible de l'endroit

de pulvérisation pour réduire l'accumulation de surpulvérisation sur le compresseur.

- Suivre les instructions du fabricant pendant la pulvérisation ou le nettoyage avec des solvants ou produits chimiques toxiques.

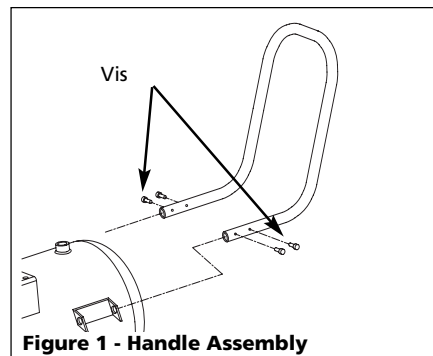
⚠ DANGER

Risque de secousse électrique : Éteindre et débrancher avant de faire l'entretien. L'entretien doit être réalisé seulement par un centre de service autorisé.



Assemblage

ASSEMBLAGE DE POIGNÉE (Figure 1)



- Insérer les extrémités de la poignée dans les supports de poignée sur les côtés du réservoir.
- Assembler quatre (4) vis (du paquet de pièces) dans les orifices de la poignée.

⚠ AVERTISSEMENT

Ne jamais utiliser la poignée pour soulever tout l'appareil du sol. Utiliser seulement la poignée pour soulever une extrémité pour que les roues puissent servir à déplacer l'appareil.

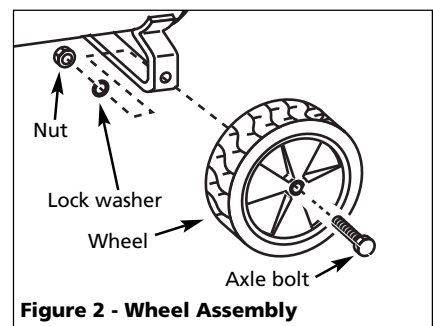


Figure 2 - Wheel Assembly

Assemblage (suite)

MONTAGE DE ROUE (Figure 2)

La trousse d'assemblage de la roue inclut :

- 2 roues*
- 2 boulons d'essieu*
- 2 rondelles de blocage*
- 2 écrous*

Les articles portant un astérisque (*) ont été expédiés desserrés avec l'appareil.

1. La roue a un moyeu décentré. Avec le moyeu décentré face au fer d'essieu, placer le boulon d'essieu à travers les trous de la roue et du fer d'essieu.
2. Placer la rondelle de blocage sur le boulon d'essieu. Bien resserrer l'écrou sur la partie filetée du boulon d'essieu.
3. Répéter la procédure de l'autre côté.

Installation

ENDROIT

Le réservoir doit être nivelé ou incliné un peu vers le robinet de vidange afin de permettre le vidange correct.

Il est très important d'installer le compresseur dans un endroit propre et bien ventilé où la température n'excédera pas 38,1° C.

Laisser un espace libre de 18 po (45,7cm) entre le compresseur et le mur car les objets peuvent obstruer la circulation d'air.

⚠ ATTENTION

Ne pas situer la prise d'air du compresseur près de la vapeur, un jet pulvérisé de peinture, endroits de décapage au sable ou autres sources de contamination. Le débris endommagera le moteur.

INSTALLATION ÉLECTRIQUE

⚠ AVERTISSEMENT

Seul un électricien qualifié doit effectuer l'installation électrique et raccordements électriques. Respecter toutes les codes locaux et nationales de l'électricité.

⚠ ATTENTION

Ne jamais utiliser un cordon prolongateur avec ce produit. Utiliser un tuyau flexible à air additionnel au lieu d'un cordon prolongateur pour éviter une perte de puissance et dommage du moteur. Usage d'un



cordon prolongateur sert à annuler la garantie.

INSTRUCTIONS DE MISE À LA TERRE

1. Ce produit est conçu pour l'utilisation d'un circuit de 120 volts et a une fiche de mise à la terre comme celle indiquée sur la Fig. 3. Assurer que le modèle est branché à une prise de courant qui a la même configuration que la fiche. Ne pas utiliser un adaptateur avec ce produit. Ce produit doit être mis à la terre. Dans l'événement d'un court-circuit, la mise à la terre diminue le risque de secousse électrique en fournissant un fil d'échappement pour le courant électrique. Ce produit est équipé avec un cordon qui a un fil de terre avec une fiche de terre. Le cordon doit être branché dans une prise de courant qui a été installée et mise à

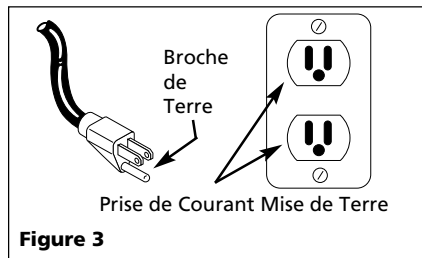


Figure 3

la terre correctement en respectant tous les codes et règlements locaux.



⚠ DANGER

L'usage incorrect d'une fiche mise à la terre peut résulter en secousse électrique!

⚠ DANGER

Ne pas utiliser un adaptateur de mise à la terre avec ce produit!

2. Si la réparation ou le remplacement du cordon ou de la fiche est nécessaire, ne pas connecter le fil de terre à ni une ni l'autre borne plate. Le fil avec l'isolation qui a une surface externe verte (avec ou sans rayures) est le fil de terre.

⚠ AVERTISSEMENT

Ne jamais brancher le fil vert (ou vert et jaune) à une borne électrisée.

3. Si vous ne comprenez pas les instructions pour la mise à la terre ou si vous n'êtes pas certains si le produit est

L'HUMIDITÉ DANS L'AIR COMPRIMÉ

L'humidité dans l'air comprimé forme des gouttelettes en arrivant de la pompe du compresseur. Si l'humidité est élevée ou si le compresseur est utilisé continuellement, cette humidité s'accumulera dans le réservoir. En utilisant un pistolet à peinture ou un pistolet pour décapage au sable, cette eau sera transportée hors du réservoir par moyen du tuyau en forme de gouttelettes mélangées avec le matériel utilisé.

IMPORTANT: Cette condensation peut avoir comme résultat des taches d'eau sur votre travail de peinture, surtout en pulvérisant la peinture qui n'est pas de base d'eau. Pendant la décapage au sable, (MP3105) cette eau servira à tenir le sable ensemble et à causer une obstruction dans le pistolet.

mis à la terre correctement, vérifier avec un électricien ou une personne qualifiée. Ne pas modifier la fiche fournie; si la fiche n'est pas la bonne taille pour la prise de courant, contacter un électricien qualifié pour l'installation d'une nouvelle prise de courant.

INSTALLATION DE FILS

1. Les codes électriques d'installation de fils sont variables d'un endroit à l'autre. Les fils d'alimentation, fiche et protecteurs doivent être classifiés pour au moins l'ampérage et la tension indiqués sur la plaque indicatrice du moteur et doivent répondre aux codes électriques pour ce minimum.
2. Utiliser une fusée à retardement ou un disjoncteur.

⚠ ATTENTION

L'installation de fils insuffisante peut résulter en surchauffage, court-circuit et en dommage d'incendie.

REMARQUE: Les modèles de 120 V, 15A peuvent fonctionner sur un circuit de 120 V sous les conditions suivantes:

- a. Aucun autre appareil électrique ou lumière est connecté au même branchement.

Instructions d'Utilisation

Installation (suite)

- b. L'alimentation en tension est normale.
 - c. Le circuit est équipé avec un disjoncteur de 15 ampères ou une fusée à retardement de 15 ampères.
3. S'il n'est pas possible d'atteindre les conditions ci-dessus ou s'il y a un déclenchement du protecteur de courant à maintes reprises, il peut être nécessaire de faire fonctionner le compresseur sur un circuit de 120 volts, 20 ampères.

Fonctionnement

TERMES ET DÉFINITIONS

Manostat - Interrupteur Auto/Off. Dans la position **AUTO**, le compresseur se coupe automatiquement quand la pression du réservoir arrive à la pression maximale réglée d'avance. Dans la position **OFF**, le compresseur ne fonctionnera pas. Cet interrupteur devrait être dans la position OFF pendant le branchement ou le débranchement du cordon d'alimentation de la prise de courant ou pendant le changement d'outils pneumatiques.

Soupape de Sûreté ASME - Cette soupape laisse échapper l'air si la pression du réservoir dépasse la pression maximum réglée d'avance.

Tuyau de Décharge - Ce tuyau transporte l'air comprimé de la pompe au clapet. Ce tuyau devient très chaud pendant l'utilisation. Pour éviter le risque des brûlures sévères, ne jamais toucher le tuyau de décharge.

Clapet - Une soupape à sens unique qui permet l'arrivée d'air dans le réservoir mais ne permet pas que l'air se recule dans la pompe.

Robinet de Purge - Cette soupape est située sur la base du réservoir. Utiliser cette soupape pour purger l'humidité du réservoir quotidiennement afin de réduire le risque de corrosion.

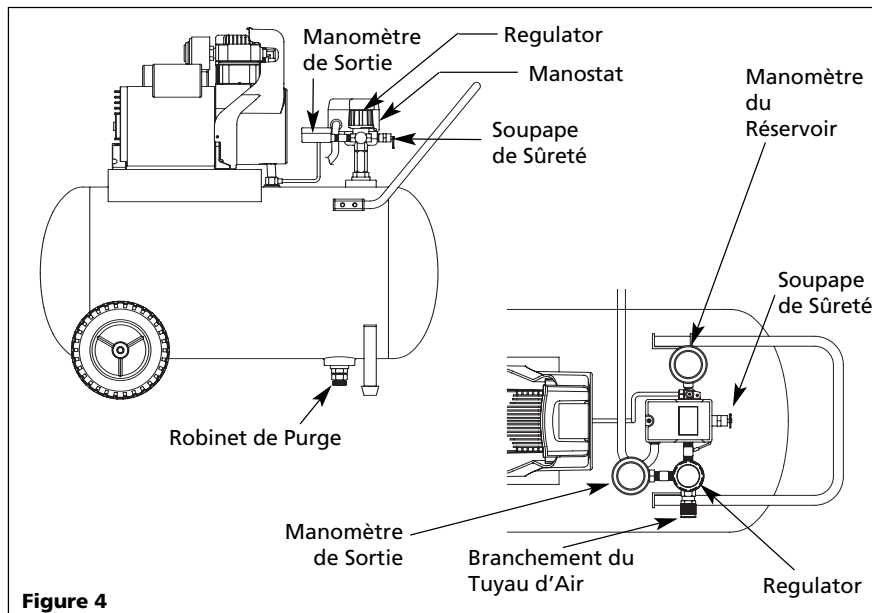


Figure 4

Régulateur - Le régulateur sert à régler la pression d'air à la sortie de tuyau. Le bouton du régulateur se tourne dans le sens horaire (à droite) pour augmenter la pression d'air à la sortie. Le bouton du régulateur se tourne dans le sens antihoraire (à gauche) pour réduire la pression d'air à la sortie. Pour couper le débit d'air, tourner le bouton complètement dans le sens antihoraire.

Manomètre(s) - Ces manomètres indiquent la pression d'air dans le réservoir du compresseur et à la sortie du compresseur.

Manomètre de sortie - Ce manomètre indique la pression d'air à la sortie, mesurée en kPa (psi). S'assurer que le manomètre est à ZÉRO (en tournant le bouton du régulateur complètement dans le sens antihoraire) avant de changer les outils ou de débrancher le tuyau de la sortie d'air.

Manomètre du réservoir - Ce manomètre indique la pression d'air dans le réservoir pendant le fonctionnement du compresseur, ce qui confirme que le compresseur est en train d'augmenter la pression de manière appropriée. Ce manomètre indique la pression maximum du compresseur quand il s'éteint automatiquement à la pression limite.

LUBRIFICATION

Ce produit est "sans-huile" et **n'exige pas d'huile pour fonctionner.**

RODAGE

ATTENTION Ne pas

brancher les outils pneumatiques au bout du tuyau jusqu'à ce que le démarrage soit complet et que le modèle fonctionne bien.

IMPORTANT: Pour éviter du dommage au compresseur, lire toutes les instructions avant de l'utiliser.

PROCÉDURE DE FONCTIONNEMENT

1. Tourner l'interrupteur à la position OFF et brancher le cordon d'alimentation.

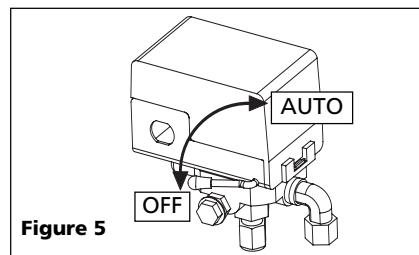


Figure 5

2. Tourner le bouton du régulateur dans le sens antihoraire pour fermer le débit d'air.
3. Tourner l'interrupteur à la position AUTO.
4. Le compresseur accumulera la pression jusqu'à ce qu'il atteigne la pression maximum et s'arrêtera.

Calibre minimum de la rallonge

7,5 m	15 m	30 m
14	12	10

Fonctionnement (Suite)

5. Avec la tuyau branché à la sortie du compresseur, brancher le mandrin d'air ou un autre outil à l'extrémité ouverte du tuyau.
 6. Ajuster le régulateur à la bonne pression pour l'outil ou le pneu. Utiliser l'outil conformément aux instructions.
- Au fur et à mesure que l'air du réservoir est épuisé par le mandrin ou l'outil, etc., le compresseur se met en marche automatiquement à la pression préréglée d'enclenchement. Quand on utilise un outil continuellement, le compresseur commencera un cycle automatique de marche/arrêt.
7. Quand on a terminé d'utiliser le compresseur, tourner l'interrupteur à la position OFF, débrancher le cordon d'alimentation et vidanger le réservoir d'air.

1. Brancher le compresseur et le faire fonctionner jusqu'à ce qu'il atteigne la pression d'arrêt (voir procédure de fonctionnement).
2. Porter des lunettes de sécurité, tirer l'anneau sur la soupape de sûreté pour dégager la pression du réservoir du compresseur. Utiliser l'autre main pour éloigner l'air se déplaçant rapidement du visage.
3. La soupape de sûreté se ferme automatiquement à environ 275,8 - 344,7 kPa. Si la soupape ne laisse pas sortir l'air en tirant sur l'anneau, ou si elle ne se ferme pas automatiquement, il FAUT la remplacer.

PURGER LE RÉSERVOIR

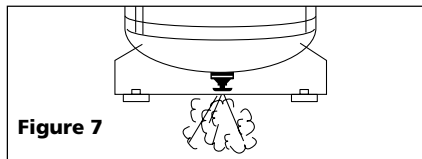


Figure 7

Avec le compresseur hors circuit et la pression dissipée, purger l'humidité du réservoir en ouvrant le robinet de purge sous le réservoir.

NETTOYAGE

Tourner le bouton (de puissance) OFF et nettoyer la poussière et la saleté du moteur, réservoir, canalisations d'air et des ailettes du refroidisseur.

IMPORTANT: Situer le modèle aussi loin de l'endroit de pulvérisation que possible afin d'empêcher que le filtre devienne obstrué par la surpulvérisation.

FILTRE D'AIR

Vérifier si le filtre d'air est propre. Enlever le couvercle du carter de filtre, enlever le filtre et le laver avec de l'eau chaude et savonneuse (ne pas laver les filtres en papier). Rincer et sécher. Remplacer les filtres qui ne peuvent pas être nettoyés. Placer le filtre dans la base du carter et remplacer le couvercle.

GRAISSAGE

Ce modèle "sans huile" n'exige pas de graissage.

PROTECTEUR DE SURCHARGE THERMIQUE

ATTENTION Ce compresseur est équipé avec un protecteur de surcharge thermique à rajustement automatique qui sert à couper le moteur s'il devient surchauffé.

Si le protecteur de surcharge thermique coupe le moteur (OFF) à maintes reprises, rechercher les causes suivantes.

1. Tension basse.
2. Ventilation insuffisante.

ATTENTION Le moteur doit se refroidir avant que le démarrage soit possible. Le moteur se démarre automatiquement sans avis si branché dans une prise de courant et si le modèle est en marche "ON".

COUPLE

Boulon de la bielle 2,8 kg m
 Boulons du compresseur . . 13,8-15,2 kg m
 Boulons du moteur 4,8 kg m
 Boulons de montage 12,5 kg m

CONCLUSION DU TRAVAIL/ENTREPOSAGE

1. Mettre l'interrupteur AUTO/off à la position « OFF » (ARRÊT).
2. Débrancher le cordon d'alimentation de la prise et l'enrouler autour du manche pour éviter de l'endommager pendant l'entreposage.
3. En portant des lunettes de sécurité, vidanger l'air du réservoir en tirant l'anneau de la soupape de sécurité. À l'aide de l'autre main, détourner l'air se déplaçant rapidement, pour protéger le visage.
4. Vidanger le réservoir de toute condensation en ouvrant le robinet de vidange au fond du réservoir. La pression du réservoir doit être sous 69 kPa quand on vidange le réservoir.
5. Le tuyau doit être débranché du compresseur et suspendu avec les bouts ouverts face en bas pour laisser couler toute humidité.
6. Le compresseur et le tuyau doivent être rangés dans un endroit frais et sec.

Entretien

AVERTISSEMENT

Débrancher de la source de puissance et ensuite dissiper toute la pression du système avant d'essayer d'installer, de réparer, de déplacer ou de procéder à l'entretien. L'entretien doit être réalisé seulement par un représentant de service autorisé.



Inspecter le compresseur souvent et suivre les procédés d'entretien suivants pendant chaque utilisation du compresseur.

SOUPAPE DE SÛRETÉ ASME

AVERTISSEMENT

Ne jamais enlever

ou essayer d'ajuster la soupape de sûreté!

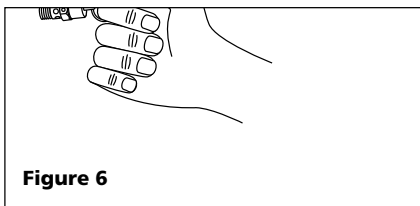


Figure 6

Vérifier la soupape de sûreté de la manière suivante :

Instructions d'Utilisation

Guide De Dépannage

Symptôme	Cause(s) Possible(s)	Mesures Correctives
Le compresseur ne fonctionne pas	<ol style="list-style-type: none">1. Manque de puissance électrique2. Disjoncteur déclenché3. Manostat en panne4. Le moteur a travaillé excessivement.5. La pression du réservoir se trouve au-dessus de la limite de coupure	<ol style="list-style-type: none">1. Modèle branché? L'interrupteur est-il sur la position ON? Vérifier le fusible/disjoncteur2. Rajuster et trouver la source du problème3. Remplacer4. Éteindre l'unité, laisser refroidir, mettre en marche.5. Purger la pression du réservoir jusqu'à la limite de coupure.
Fusibles sautés/le disjoncteur se déclenche à maintes reprises	<ol style="list-style-type: none">1. Taille de fusible incorrect, surcharge2. Utilisation de rallonge - Calibre inadéquat de la rallonge et/ou rallonge trop longue.3. Soupape de retenue usée4. Soupape de décharge défectueuse (sur le manostat)5. Condensateur(s) de moteur défectueux6. Moteur défectueux	<ol style="list-style-type: none">1. Vérifier le type de fusible, utiliser un fusible à retardement. Débrancher les autres appareils électriques du circuit ou faire fonctionner le compresseur sur un circuit unique.2. Retirer la rallonge ou se reporter au Tableau de Rallonges, page 12.3. Remplacer la soupape de retenue4. Remplacer la soupape de décharge.5. Remplacer le condensateur(s).6. Remplacer le moteur
Perte de pression dans le réservoir à air quand le compresseur se coupe	<ol style="list-style-type: none">1. Raccordements dégagés (raccords, tuyaux, etc.)2. Ouvrir le robinet de vidange du réservoir	<ol style="list-style-type: none">1. Vérifier tous les raccordements avec de l'eau savonneuse. Resserrer; ou retirer et appliquer aux filets un produit scellant ou de ruban pour filets, puis remonter.2. Fermer le robinet de vidange du réservoir
Débit d'air plus bas que normal/pression de décharge basse	<ol style="list-style-type: none">1. Utilisation d'air excessive2. Filtre d'entrée obstrué3. Ouvrir le robinet de vidange du réservoir4. Fuites d'air dans la tuyauterie (sur le modèle ou dans le système extérieur)5. Anneau de piston usé6. Soupape brisée (dans la pompe)	<ol style="list-style-type: none">1. Réduire l'utilisation d'air; le compresseur n'est pas assez large pour la demande d'air2. Nettoyer ou remplacer le filtre3. Fermer le robinet de vidange du réservoir4. Vérifier tous les raccordements avec de l'eau savonneuse. Resserrer; ou retirer et appliquer aux filets un produit scellant ou de ruban pour filets, puis remonter.5. Remplacer6. Remplacer la soupape
Humidité excessive dans l'air de débit	<ol style="list-style-type: none">1. Eau excessive dans le réservoir2. Humidité élevée	<ol style="list-style-type: none">1. Purger le réservoir2. Déplacer à un endroit moins humide; utiliser un filtre en canalisation d'air

⚠ DANGER

Ne pas démonter le clapet s'il y a de l'air

dans le réservoir; vidanger le réservoir

Suite à la page suivante

Guide De Dépannage

Symptôme	Cause(s) Possible(s)	Mesures Correctives
Le compresseur fonctionne continuellement	<ol style="list-style-type: none"> 1. Manostat défectueux 2. Utilisation d'air excessive 	<ol style="list-style-type: none"> 1. Remplacer le manostat 2. Réduire l'utilisation d'air; le compresseur n'est pas assez large pour la demande d'air
Le moteur ronron mais ne peut pas fonctionner ou fonctionne lentement	<ol style="list-style-type: none"> 1. Surcharge de circuit 2. Utilisation de rallonge - Calibre inadéquat de la rallonge et/ou rallonge trop longue. 3. Connexions électriques délogées 4. Soupape de retenue usée 5. Soupape de décharge défectueuse (sur le manostat) 6. Condensateur(s) de moteur défectueux 7. Moteur défectueux 	<ol style="list-style-type: none"> 1. Débrancher les autres appareils électriques du circuit ou faire fonctionner le compresseur sur un circuit réservé. 2. Retirer la rallonge ou se reporter au Tableau de Rallonges, page 12. 3. Vérifier tous les connexions électriques 4. Remplacer la soupape de retenue <p>⚠ DANGER <i>Ne pas démonter le clapet s'il y a de l'air dans le réservoir; vidanger le réservoir</i></p> <ol style="list-style-type: none"> 5. Remplacer la soupape de décharge. 6. Remplacer le condensateur(s). 7. Remplacer le moteur
Le protecteur de surcharge thermique se déclenche à maintes reprises	<ol style="list-style-type: none"> 1. Manque de ventilation adéquate/ température ambiante trop élevée. 2. Filtre d'air obstrué 3. Surcharge de circuit 4. Utilisation de rallonge - Calibre inadéquat de la rallonge et/ou rallonge trop longue. 5. Soupape de retenue usée 6. Soupape de décharge défectueuse (sur le manostat) 7. Moteur défectueux 	<ol style="list-style-type: none"> 1. Déplacer le moteur dans un endroit bien ventilé 2. Nettoyer ou remplacer 3. Vérifier le type de fusible, utiliser un fusible à retardement. Débrancher les autres appareils électriques du circuit ou faire fonctionner le compresseur sur un circuit réservé. 4. Retirer la rallonge ou se reporter au Tableau de Rallonges, page 12. 5. Remplacer la soupape de retenue <p>⚠ DANGER <i>Ne pas démonter le clapet s'il y a de l'air dans le réservoir; vidanger le réservoir</i></p> <ol style="list-style-type: none"> 6. Remplacer la soupape de décharge. 7. Remplacer le moteur

Instructions d'Utilisation

Garantie Limitée

1. DURÉE: À partir de la date d'achat par l'acheteur original : Un An.
2. GARANTIE ACCORDÉE PAR (GARANT) :
Campbell Hausfeld/Scott Fetzer Company, 100 Production Drive, Harrison, Ohio, 45030, Téléphone: (800) 543-6400.
3. BÉNÉFICIAIRE DE CETTE GARANTIE (ACHETEUR) : L'acheteur original (sauf en cas de revente) du produit Campbell Hausfeld.
4. PRODUITS COUVERTS PAR CETTE GARANTIE : N'importe quel compresseur d'air Campbell Hausfeld.
5. COUVERTURE DE LA PRÉSENTE GARANTIE : Pièces et Main d'œuvre pour remédier à de défauts importants causés par matériau et main d'œuvre pendant la première année de possession avec les exceptions indiquées ci-dessous.
6. LA PRÉSENTE GARANTIE NE COUVRE PAS :
 - A. Les garanties implicites, y compris celles de commercialisation et D'ADAPTATION À UNE FONCTION PARTICULIÈRE SONT LIMITÉES À PARTIR DE LA DATE D'ACHAT INITIALE TELLE QU'INDIQUÉE DANS LA SECTION DURÉE. Si le compresseur d'air est utilisé pour une fonction commerciale, industrielle ou pour la location, la durée de la garantie sera quatre-vingt-dix (90) jours de la date d'achat. Certaines Provinces (États) n'autorisent pas de limitations de durée pour les garanties implicites, donc les limitations précédentes peuvent donc ne pas s'appliquer.
 - B. TOUT DOMMAGE, PERTE OU DÉPENSE FORTUIT OU INDIRECT POUVANT RÉSULTER DE TOUT DÉFAUT, PANNE OU MAUVAIS FONCTIONNEMENT DU PRODUIT CAMPBELL HAUSFELD. Quelques Provinces (États) n'autorisent pas l'exclusion ni la limitation des dommages fortuits ou indirects. La limitation ou l'exclusion précédente peut donc ne pas s'appliquer.
 - C. Toute panne résultant d'un accident, d'une utilisation abusive, de la négligence ou d'une utilisation ne respectant pas les instructions données dans le(s) manuel(s) accompagnant le produit.
 - D. Service avant livraison; le montage, l'huile ou la graisse et les réglages par exemple.
 - E. Articles ou services qui sont exigés pour l'entretien normal du produit; graisses, filtres et joints d'étanchéité par exemple.
 - F. Les moteurs à essence et les pièces détachées sont expressément exclus de cette garantie limitée. L'acheteur doit observer la garantie du fabricant de moteur qui est fournie avec le produit.
 - G. Articles supplémentaires qui ne sont pas couverts sous cette garantie :
 1. Articles exclus relatifs à Tous les Compresseurs
 - a. Toutes pièces détachées endommagées pendant l'expédition, n'importe quelle panne causée par un montage ou fonctionnement du modèle sous des conditions qui ne se conforment pas aux directives de montage et de fonctionnement ou dommage causé par le contact avec les outils ou les alentours.
 - b. La défaillance de la pompe ou de la soupape causée par la pluie, l'humidité excessive, un environnement corrosif ou autres polluants.
 - c. Les défauts de forme qui n'ont pas d'effet sur le fonctionnement du compresseur.
 - d. Les réservoirs rouillés, y compris mais sans s'y limiter à la rouille causée par la vidange incorrecte ou par un environnement corrosif.
 - e. Les composants suivants sont considérés comme des articles sujets à l'usure normale et ne sont pas couverts après le premier an de possession.
Moteur électrique, soupape de retenue, interrupteur de pression, régulateur, manomètres, tuyaux, tubes, raccords, vis, écrous, articles de quincaillerie, courroies, poulies, volant, filtre d'air et boîtier, joints d'étanchéité, fuites d'air et d'huile, consommation ou usage d'huile, anneaux de piston.
 - f. Robinets de vidange.
 - g. Dommages dû à la tension ou installation de fils incorrecte.
 - h. Autres articles non indiqués mais considérés pièces d'usure générale.
 - i. Manostats, régulateurs d'air et soupapes de sûreté qui ont été modifiés d'après les réglages de l'usine.
 - j. Dommages causés par l'entretien insuffisant du filtre.
 - k. Moteurs à induction utilisant l'électricité produite par un générateur.
 2. Compresseurs Graissés
 - a. Usure de la pompe ou dommages aux soupapes causés par l'utilisation d'huile non-spécifiée.
 - b. Usure de la pompe ou dommages aux soupapes causés par toute contamination d'huile ou par le manque de suivre les directives d'entretien d'huile.
 - c. Usure ou dommages de la pompe causés par le manque de suivre les directives d'entretien d'huile, fonctionnement avec le niveau d'huile au-dessous du bon niveau ou fonctionnement sans huile.
7. RESPONSABILITÉS DU GARANT AUX TERMES DE CETTE GARANTIE : Réparation ou remplacement, au choix du Garant, d'un compresseur ou d'une pièce détachée qui s'est révélé défectueux ou qui n'est pas conforme pendant la durée de validité de la garantie.
8. RESPONSABILITÉS DE L'ACHETEUR AUX TERMES DE CETTE GARANTIE :
 - A. Fournir une preuve d'achat datée et un état d'entretien.
 - B. La livraison ou expédition des compresseurs portatifs ou des pièces détachées au Centre De Service Autorisé Campbell Hausfeld le plus près. Frais de transport, si applicables, sont la responsabilité de l'acheteur.
 - C. Utilisation et entretien du produit avec un soin raisonnable, ainsi que le décrit le(s) manuel(s) d'utilisation.
 - D. Réparations qui exigent de temps additionnel, taux de charge de fin de semaine, ou tout problème au-delà du taux normal de remboursement par main d'œuvre de réparations sous garantie du fabricant.
 - E. Temps nécessaire pour tout contrôle de sécurité, entraînement de sécurité, ou situation semblable parce que le personnel de service puisse obtenir l'accès à l'installation.
 - F. L'emplacement de l'unité doit être facilement accessible et avoir l'espace suffisant parce que le personnel de service puisse effectuer les réparations.
9. RÉPARATION OU REMPLACEMENT EFFECTUÉ PAR LE GARANT AUX TERMES DE LA PRÉSENTE GARANTIE : La réparation ou le remplacement sera prévu et exécuté en fonction de la charge de travail dans le centre de service et dépendra de la disponibilité des pièces de rechange.

Cette Garantie Limitée s'applique aux É.-U., au Canada et au Mexique seulement et vous donne des droits juridiques précis. L'acheteur peut également jouir d'autres droits qui varient d'une Province, d'un État ou d'un Pays à l'autre.

Sírvase leer y guardar estas instrucciones. Lea con cuidado antes de tratar de armar, instalar, manejar o darle servicio al producto descrito en este manual. Protéjase Ud. y a los demás observando todas las reglas de seguridad. El no seguir las instrucciones podría resultar en heridas y/o daños a su propiedad. Guarde este manual como referencia.

Compresores Sin Aceite

Descripción

Los compresores sin aceite han sido diseñados para los amantes del "hágalo usted mismo", para una variedad de usos en el hogar y en los automóviles. Estos compresores se utilizan con pistolas rociadoras, llaves de impacto y otras herramientas. **Estos aparatos funcionan sin aceite.**

Medidas de Seguridad

Este manual contiene información que es muy importante que sepa y comprenda. Esta información se la suministramos como medida de SEGURIDAD y para EVITAR PROBLEMAS CON EL EQUIPO. Debe reconocer los siguientes símbolos.

⚠ PELIGRO

Esto le indica que

hay una situación inmediata que le ocasionaría la muerte o heridas de gravedad.

⚠ ADVERTENCIA

Esto le indica que

hay una situación que podría ocasionarle la muerte o heridas de gravedad.

⚠ PRECAUCIÓN

Esto le indica

que hay una situación que podría ocasionarle heridas no muy graves.

AVISO

Ésto le indica

una información importante, que de no seguirla, le podría ocasionar daños al equipo.

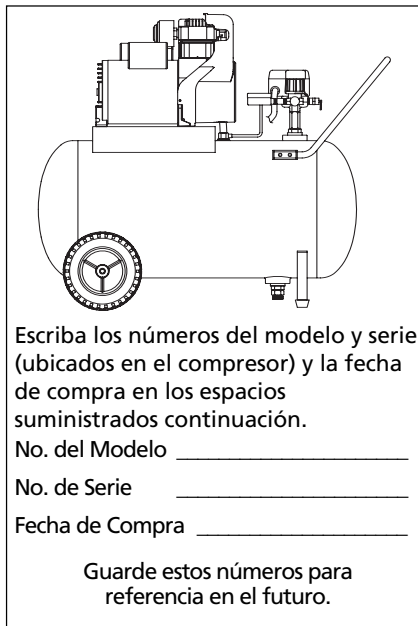
Para Desempacar

Cuando desempaque la unidad, inspecciónela cuidadosamente para verificar si se han producido daños durante el transporte. Asegúrese de apretar todos los accesorios, pernos, etc. que estén sueltos antes de poner la unidad en servicio. En el caso de que haya daño o partes que faltan, haga el favor de llamar al 1-800-543-6400 para obtener ayuda o llame al Centro De Servicio Autorizado De Campbell Hausfeld más cercano.

Tenga a mano el número de serie, el número del modelo y la lista de partes (con las partes que faltan marcadas con un círculo) antes de llamar.



¡NO DEVUELVA EL PRODUCTO AL MINORISTA!



Escriba los números del modelo y serie (ubicados en el compresor) y la fecha de compra en los espacios suministrados continuación.

No. del Modelo _____

No. de Serie _____

Fecha de Compra _____

Guarde estos números para referencia en el futuro.

⚠ ADVERTENCIA

No debe utilizar la

unidad si se ha dañado durante el envío, manejo o uso. Los daños podrían ocasionar una explosión y ocasionarle heridas o daños a su propiedad.

PROPOSICIÓN 65 DE CALIFORNIA

⚠ ADVERTENCIA

Este producto, o su cordón eléctrico, puede contener productos químicos conocidos por el estado de California como causantes de cáncer y defectos de nacimiento u otros daños reproductivos. Lave sus manos después de usar.

⚠ PELIGRO

Advertencia sobre el aire respirable

Este compresor/cabezal no viene listo de fábrica para suministrarle aire respirable. Antes de utilizarlos con este fin, deberá instalarle un sistema de seguridad y alarma incorporado a la línea. Este sistema adicional es necesario para filtrar y purificar el aire adecuadamente, para cumplir con las especificaciones mínimas sobre aire respirable de Grado D descritas en la Especificación de Productos G 7.1 - 1966 de la Asociación de Aire Comprímido. Igualmente, deberá cumplir los requisitos establecidos por el Artículo 29 CFR 1910. 134 de la Organización norteamericana OSHA y/o la Canadian Standards Associations (CSA).

RENUNCIA A LAS GARANTIAS
Si el compresor se utiliza para producir aire respirable SIN haberle instalado el sistema de seguridad y alarma, todas la garantías se anularán y la compañía Campbell Hausfeld no asumirá NINGUNA responsabilidad por pérdidas, heridas personales o daños.

Informaciones Generales de Seguridad


Como el compresor de aire y otros componentes usados (cabezales, pistolas pulverizadoras, filtros, lubricadores, mangueras, etc.), forman parte de un sistema de bombeo de alta presión, deberá seguir las siguientes medidas de seguridad todo el tiempo:

1. Lea con cuidado todos los manuales incluidos con este producto. Familiarícese con los controles y el uso adecuado del equipo.



RECORDATORIO: ¡Guarde su comprobante de compra con fecha para fines de la garantía! Adjúntela a este manual o archívela en lugar seguro.

Informaciones Generales de Seguridad (Continuación)

- Siga todos los códigos de seguridad laboral y electricidad establecidos en su país, por ejemplo los de la NEC y OSHA en EUA.
- Este compresor sólo debe ser usado por personas que estén bien familiarizadas con las reglas de seguridad y de manejo.
- Mantenga a los visitantes alejados y NUNCA permita la presencia de niños en el área de trabajo.
- Siempre use anteojos de seguridad y protéjase los oídos para operar el cabezal o el compresor. 
- No se encaramo sobre el cabezal, ni lo use para sostenerse.
- Antes de cada uso, inspeccione el sistema de aire comprimido y los componentes eléctricos, para ver si están dañados, deteriorados, desgastados o tienen fugas. Repare o reemplace las piezas dañadas antes de usar el equipo.
- Chequee todas las conexiones frecuentemente para cerciorarse de que estén bien apretadas.

⚠️ ADVERTENCIA

Los motores, equipos eléctricos y controles pueden ocasionar arcos eléctricos que encenderían gases o vapores inflamables. Nunca opere o repare el compresor cerca de gases o vapores inflamables. Nunca almacene líquidos o gases inflamables cerca del compresor.



⚠️ PRECAUCION

Las piezas del compresor podrían estar calientes, inclusive cuando la unidad esté apagada.



- Mantenga los dedos alejados del compresor cuando esté funcionando; las piezas en movimiento o calientes, le ocasionarían heridas y/o quemaduras.
- Si el equipo comienza a vibrar excesivamente, APAGUE el motor y chequéelo inmediatamente para

determinar la razón. Generalmente, la vibración excesiva se debe a una falla.

- Para reducir el peligro de incendio, mantenga el exterior del motor libre de aceite, solventes o exceso de grasa.

⚠️ ADVERTENCIA

Nunca debe desconectar o tratar de ajustar las válvulas de seguridad. Igualmente, debe evitar que se le acumule pintura u otros materiales.

Nunca debe

⚠️ PELIGRO

¡Nunca trate de reparar o modificar el tanque! Si lo suelda, taladra o modifica de cualquier otra manera, el tanque se debilitará y se podría dañar, romperse o explotar. Siempre reemplace los tanques desgastados, rotos o dañados.



AVISO

Drene el tanque diariamente.

- Los tanques se oxidan debido a la acumulación de humedad y esto debilita el tanque. Asegúrese de drenar el tanque a diario y de inspeccionar periódicamente para detectar condiciones de peligro como la formación de óxido y corrosión.
- La circulación rápida de aire podría levantar polvo y desperdicios dañinos. Siempre libere el aire lentamente para drenar el tanque o liberar la presión del sistema.

PRECAUCIONES PARA ROCIAR

⚠️ ADVERTENCIA

Nunca rocíe materiales inflamables cerca de llamas al descubierto o fuentes de ignición incluyendo el compresor.



- No fume mientras esté rociando pintura, insecticidas u otras sustancias inflamables.
- Use una máscara/respirador cuando vaya a rociar y siempre rocíe en un área bien ventilada para evitar peligros de salud e incendios.



- Nunca rocíe la pintura y otros materiales, directamente hacia el compresor. Coloque el compresor lo más lejos posible del área de trabajo, para minimizar la acumulación de residuos en el compresor.

- Al rociar o limpiar con solventes o químicos tóxicos, siga las instrucciones del fabricante de dichos químicos.

⚠️ PELIGRO

Riesgo de choque eléctrico. Apague y desconecte antes de realizar el servicio. El servicio debe ser realizado por un centro de servicio autorizado.



Ensamblaje

ENSAMBLE DEL MANGO (Figura 1)

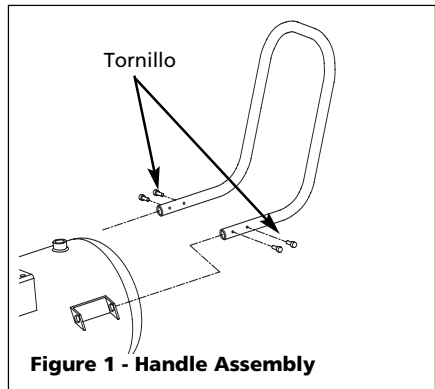


Figure 1 - Handle Assembly

- Coloque los extremos del mango en los insertos del mango en los lados del tanque.
- Ensamble cuatro (4) tornillos (del paquete de piezas) a través de los orificios del mango.

⚠️ ADVERTENCIA

Nunca use el mango para levantar la unidad completamente. Use el mango solamente para levantar un extremo para que las ruedas puedan usarse para mover la unidad.

Nunca use el

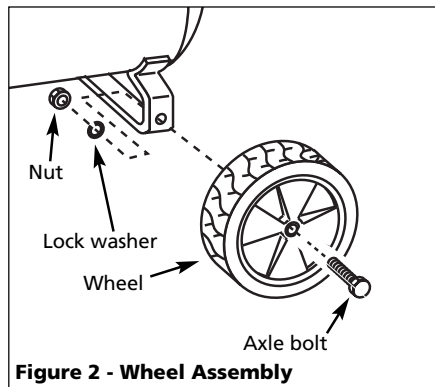


Figure 2 - Wheel Assembly

Ensamblaje (Continuación)

MONTAJE DE LA RUEDA (Figura 2)

El juego del ensamble de la rueda incluye:

- 2 ruedas*
- 2 pernos de eje*
- 2 arandelas de presión*
- 2 tuercas*

Los artículos marcados con asterisco (*) se despacharon sueltos con la unidad.

1. La rueda tiene un cubo descentrado. Con el cubo descentrado hacia el hierro del eje, ensamble los pernos del eje a través de los orificios de la rueda y del hierro del eje.
2. Coloque la arandela de presión en el perno del eje. Luego apriete la tuerca de modo seguro a la parte roscada del perno del eje.
3. Repita el procedimiento con el otro lado.

Instalación

UBICACION

El tanque debe estar nivelado o un poco inclinado hacia el lado donde está la llave de drenaje de modo que pueda drenarlo adecuadamente.

Es sumamente importante que instale el compresor en un lugar limpio y bien ventilado donde la temperatura ambiental no sea mayor de 38° C (100°F).

Se requiere un espacio libre mínimo de 45,7 cm (18") entre el compresor y la pared, para que ningún objeto obstruya el flujo de aire.

PRECAUCION

No coloque

la entrada de aire del compresor cerca de áreas con vapor, vapores de pintura, chorros de arena o cualquier otra fuente de contaminación. Los desperdicios dañarán el motor.

INSTALACIÓN ELÉCTRICA

ADVERTENCIA

Todas las con-

exiones eléctricas y el alambrado deberán ser llevados a cabo por un electricista profesional. La instalación debe estar conforme con los códigos locales y los

códigos nacionales sobre electricidad.

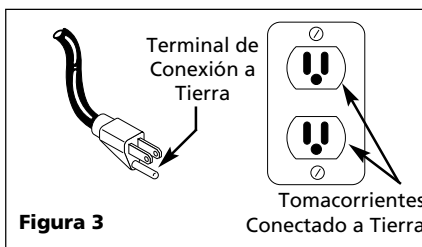
PRECAUCION



Nunca use un cordón de extensión con este aparato. Use una manguera de aire adicional en lugar de un cordón de extensión para evitar la pérdida de energía y los daños permanentes al motor. El uso de un cordón de extensión anulará la garantía.

CONEXION A TIERRA

1. Este producto está diseñado para circuitos nominales de 120 voltios y tiene un enchufe para conexión a tierra similar al de la Figura 3. Cerciórese de conectarlo a un tomacorrientes cuya configuración sea similar a la del enchufe. No utilice un adaptador con este producto. Este producto se debe conectar a tierra. En caso de que ocurra un cortocircuito, ésto evitaría el riesgo de choque eléctrico al ofrecerle un cable de desvío a la corriente eléctrica. Este producto tiene un cordón con un alambre y terminal de conexión a tierra. El cordón eléctrico debe conectarse a un tomacorrientes que esté instalado y conectado a tierra correctamente, según los



códigos y ordenanzas locales.

PELIGRO

El uso inadecuado del enchufe con conexión a tierra podría ocasionarle choques eléctricos.

PELIGRO

No use un adaptador para conexión a tierra con este producto.

2. Si necesita reparar o reemplazar el cordón o el enchufe, no conecte el cable de conexión a tierra a ninguno de los terminales planos. El alambre cuya superficie externa del aislante es

HUMEDAD EN EL AIRE COMPRIMIDO

La humedad que se acumula en el aire comprimido se convierte en gotas a medida que sale del cabezal del compresor de aire. Cuando el nivel de humedad es muy alto o cuando el compresor ha estado en uso continuo por mucho tiempo, ésta se acumulará en el tanque. Al usar una pistola pulverizadora de pintura o una rociadora de arena, la humedad saldrá a través de la manguera mezclada con el material que esté rociando.

IMPORTANTE: Esta condensación ocasionará manchas en la superficie pintada, especialmente cuando esté pulverizando pinturas que no sean a base de agua. Al rociar arena ésta ocasionará que la arena se aglutine y obstruya la pistola, reduciendo su eficacia. Para eliminar este problema, instale un filtro en la línea de aire (MP3105), lo más cerca posible de la pistola.

verde, con o sin rayas amarillas, es el cable de conexión a tierra.

ADVERTENCIA

Nunca conecte

los cables verdes o verde con rayas amarillas, a un terminal con tensión.

3. Consúltele a un electricista calificado o a un técnico de reparación, en caso de que no comprenda bien las instrucciones o si tiene dudas de que esté conectado a tierra adecuadamente. No modifique el enchufe, si éste no entra en el tomacorrientes, mande a instalar un tomacorrientes adecuado con un electricista calificado.

ALAMBRADO

1. Los códigos eléctricos varían de un área a otra. Sin embargo, el alambrado, enchufe y protectores se deben seleccionar según las especificaciones de amperaje y voltaje indicados en la placa del motor y cumplir con las especificaciones mínimas.

Manual de Instrucciones

Instalación (Continuación)

2. Use fusibles de acción retardada tipo T o un cortacircuito.

PRECAUCION

Si no conecta

los cables adecuadamente podría haber cortocircuitos, incendios, sobrecalentamiento, etc.

NOTA: Las unidades de 120 voltios, 15 amp se pueden utilizar en circuitos de 120 voltios bajo las siguientes condiciones:

- Ningún otro artefacto eléctrico o luces estén conectados al mismo circuito.
 - El suministro de voltaje es normal.
 - El circuito tiene un cortacircuito de 15 amperios o un fusible de acción retardada de 15 amperios.
3. Si no puede satisfacer las condiciones arriba enumeradas o si el cortacircuito se activa frecuentemente, quizás tenga que utilizar un circuito de 120 voltios, 20 amperios.

Funcionamiento

TÉRMINOS Y DEFINICIONES

Presostato - Automático - En la posición AUTO el compresor se apaga automáticamente cuando la presión del tanque alcanza el nivel máximo fijado en la fábrica. En la posición APAGADO, el compresor no funcionará. El presostato debe colocarse en APAGADO para conectar o desconectar el cordón eléctrico del tomacorrientes o para cambiar la herramienta neumática.

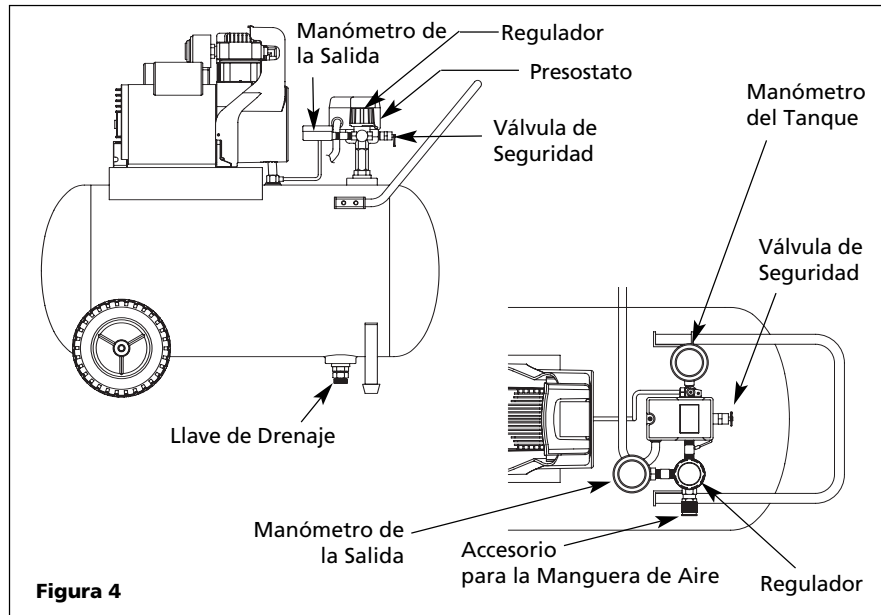
Válvula de Seguridad ASME - Esta válvula automáticamente libera el aire si la presión del tanque excede el valor máximo fijado de fábrica.

Tubería de Descarga - Esta tubería transporta el aire comprimido del cabezal a la válvula de chequeo. Esta tubería se calienta excesivamente durante el uso. Para evitar quemaduras graves, nunca la toque.

Válvula de Chequeo - Esta válvula solo permite que el aire entre al

Calibre mínimo del cable de extensión

7,5 m (25 pies)	15 m (50 pies)	30 m (100 pies)
14	12	10



tanque y evita que éste se regrese al cabezal.

Llave de Drenaje - Esta válvula está ubicada debajo del tanque. Úsela para drenar la humedad del tanque diariamente, para evitar que el tanque se oxide.

Regulador - El regulador controla la cantidad de presión de aire a la salida para la manguera. Al girar la perilla del regulador en sentido horario (hacia la derecha) la presión de aire a la salida aumenta. Al girar la perilla en sentido antihorario (hacia la izquierda) la presión de aire a la salida disminuye. Al girar la perilla completamente en sentido antihorario, el suministro de aire se cierra completamente.

Manómetros - Estos manómetros indican la presión de aire en el tanque del compresor y a la salida del compresor.

Manómetro de salida - Indica la presión de aire a la salida en libras por pulgada cuadrada (psi). Asegúrese de que este manómetro indique CERO (girando la perilla completamente en sentido antihorario) antes de cambiar herramientas o desconectar la manguera de la salida.

Manómetro del tanque - Indica la presión de aire en el tanque mientras el compresor esté en marcha, confirmando que el compresor está

aumentando la presión adecuadamente. Este manómetro indica la presión máxima del compresor cuando el interruptor de presión lo apague automáticamente.

ENGRASE

Este es un aparato sin aceite y **no requiere** engrases para su funcionamiento.

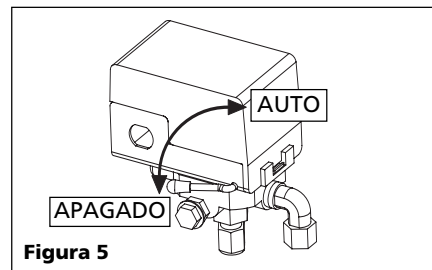
PERÍODO DE USO INICIAL

PRECAUCION

Nunca conecte las

herramientas a la manguera hasta haber encendido el motor y cerciarse de que la unidad esté lista para funcionar.

IMPORTANTE: No utilice el compresor



sin haber leído las instrucciones o podría dañarlo.

FUNCIONAMIENTO

- Coloque el interruptor en APAGADO y conecte el cordón al tomacorrientes.
- Gire la perilla del regulador en sentido antihorario para cerrar el flujo de aire.
- Coloque el interruptor en AUTO.

Funcionamiento

(Continuación)

- El compresor aumentará la presión al valor máximo y se apagará.
 - Con la manguera conectada a la salida del compresor, conecte la boquilla para la llanta u otra herramienta al extremo libre de la manguera.
 - Ajuste el regulador a la presión adecuada para una herramienta o neumático. Maneje la herramienta según las instrucciones.
- A medida que el aire del tanque se agota por el uso de la boquilla para la llanta, herramienta, etc., el compresor vuelve a encenderse automáticamente a la presión prefijada de activación. Cuando se use una herramienta en forma continua, el compresor cumplirá ciclos de encendido y apagado en forma automática.
- Cuando termine de usar el compresor, ponga el interruptor en APAGADO, desenchufe el cable eléctrico y drene el aire del tanque.

Mantenimiento

⚠ ADVERTENCIA



Desconecte el cordón eléctrico del tomacorrientes y libere toda la presión del sistema antes de tratar de instalar, darle servicio, cambiar de lugar o darle cualquier tipo de mantenimiento.

El servicio debe ser realizado por un representante de servicio autorizado.

Este compresor se debe chequear con frecuencia para ver si tiene algún tipo de problemas y le debe dar el siguiente mantenimiento antes de cada uso.

VALVULA DE SEGURIDAD ASME

⚠ ADVERTENCIA

Nunca

desconecte o trate de ajustar la



Figura 6

válvula de seguridad ASME.

Revise la válvula de seguridad siguiendo los siguientes pasos:

- Enchufe el compresor y hágalo funcionar hasta que se alcance la presión de corte (consulte Funcionamiento).
- Usando gafas de protección, tire del anillo de la válvula de seguridad para liberar la presión del tanque del compresor. Use su otra mano para desviar el aire que se mueve a gran velocidad y evitar que le dé en el rostro.
- Esta válvula de seguridad debería cerrarse automáticamente a 2,76 bar - 3,45 bar. Si la válvula de seguridad no deja salir aire cuando tira del anillo o si no se cierra automáticamente, DEBE ser reemplazada.

DRENE EL TANQUE

Apague el compresor y libere toda la presión, después: Abra la llave de

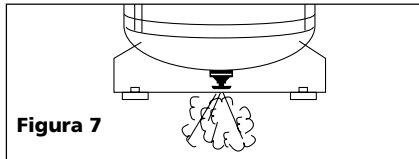


Figura 7

drenaje, ubicada debajo del tanque, para drenarle toda la humedad.

LIMPIEZA

Apague el compresor (póngalo en APAGADO), y limpie el motor, el tanque, las líneas de aire y las aletas del sistema de enfriamiento del cabezal.

IMPORTANTE: El compresor debe colocarse lo más lejos posible del área de pulverización, según lo permita la longitud de la manguera, para evitar que el exceso de pulverización atasque el filtro de aire.

FILTRO DE AIRE

Cerórese de que el filtro esté limpio. Para darle servicio al filtro deberá destaparlo. Desconecte el filtro y límpielo con agua caliente enjabonada (Los filtros de papel no se pueden lavar). Sacúdalo y déjelo secar. Reemplace los filtros de aire que no se

puedan limpiar. Coloque el filtro dentro de la base y tápelo.

LUBRICACION

Este compresor no requiere lubricación.

PROTECTOR TERMICO

⚠ PRECAUCION

Este compresor

está equipado con un protector automático contra sobrecarga térmica que apagará el motor cuando éste se sobrecaliente.

Si el protector térmico apaga el motor con mucha frecuencia puede ser por lo siguiente:

- Voltaje bajo.
- La ventilación es inadecuada.

⚠ ADVERTENCIA

Debe esperar a

que el motor se enfríe antes de encenderlo. El motor se encenderá automáticamente, sin previo aviso, si lo deja conectado al tomacorrientes y enciende la unidad.

TORQUE REQUERIDO

Pernos de la biela 2,8 kg m
Pernos del cabezal 13,8 -15,2 kg m
Pernos del motor 4,8 kg m
Pernos de la base 12,5 kg m

CONCLUSIÓN DEL

TRABAJO/ALMACENAJE

- Coloque el interruptor de AUTO/APAGADO en la posición APAGADO.
- Desenchufe el cordón del tomacorrientes de pared y envuélvalo alrededor del mango para prevenir daños cuando no se use.
- Con las gafas de seguridad puestas, descargue el aire del tanque halando el anillo de la válvula de seguridad. Use su otra mano para desviar el aire que se mueve a gran velocidad y evitar que le dé en el rostro.
- Drene el tanque de la condensación abriendo la válvula de drenaje al fondo del tanque. Cuando drene el tanque, la presión debe estar por debajo de 0,69 bar.
- Debe desconectar la manguera del compresor y colgarla con los extremos hacia abajo para que toda humedad se drene.
- El compresor y la manguera deben guardarse en un lugar fresco y seco.

Manual de Instrucciones

Guía de diagnóstico de averías

Problema	Posible(s) Causa(s)	Acción a tomar
El compresor no funciona	<ol style="list-style-type: none">1. No hay energía eléctrica2. Cortacircuito desconectado3. Presostato dañado4. El motor ha trabajado excesivamente.5. La presión del tanque se encuentra por encima del nivel de activación.	<ol style="list-style-type: none">1. ¿Está conectado? ¿Está prendido el interruptor? Chequee el fusible/cortacircuito2. Conéctelo, determine la causa del problema3. Reemplácelo4. Apague, deje enfriar, vuelva a encender.5. Libere la presión del tanque hasta que baje al nivel de activación.
Los fusibles se queman/cortacircuito se activa con frecuencia	<ol style="list-style-type: none">1. Fusible inadecuado, circuito sobrecargado2. Uso del cable de extensión – calibre inadecuado del cable y/o demasiado largo.3. Válvula de retención desgastada4. Válvula de descarga defectuosa (en el interruptor de presión)5. Condensador(es) del motor defectuoso(s)6. Motor defectuoso	<ol style="list-style-type: none">1. Cerciórese de que está usando el fusible adecuado, use un fusible de acción retardada. Desconecte los otros artefactos eléctricos del circuito o conecte el compresor a otro circuito.2. Retire el cable de extensión o consulte la Tabla para el Cable de Extensión, en la página 203. Cambie la válvula de retención4. Cambie la válvula de descarga.5. Reemplace el condensador(es).6. Cambie el motor
La presión del tanque baja cuando el compresor se apaga	<ol style="list-style-type: none">1. Conexiones flojas (conexiones, tuberías, etc.)2. Abra la válvula de drenaje del tanque.	<ol style="list-style-type: none">1. Revise todas las conexiones con una solución de agua y jabón. Apriete, o retire y aplique sellador o cintas para roscas, luego vuelva a ensamblar.2. Cierre la válvula de drenaje del tanque
La salida de aire es inferior a la normal/la presión de salida es baja	<ol style="list-style-type: none">1. Consumo excesivo de aire2. Filtro de entrada obstruido3. Abra la válvula de drenaje del tanque.4. Hay fugas de aire en las tuberías (del compresor o del sistema de conexión)5. Aro del pistón desgastado6. Válvula dañada (en la bomba)	<ol style="list-style-type: none">1. Disminuya el consumo de aire; el compresor es muy pequeño para suministrar el aire requerido2. Limpie o reemplace el filtro3. Cierre la válvula de drenaje del tanque4. Revise todas las conexiones con una solución de agua y jabón. Apriete, o retire y aplique sellador o cintas para roscas, luego vuelva a ensamblar.5. Reemplácelo6. Cambie la válvula

⚠ PELIGRO

Antes de desmantelar la válvula de chequeo purgue el aire del tanque

Continúa en la página siguiente

Guía de diagnóstico de averías

Problema	Posible(s) Causa(s)	Acción a tomar
Excesos de humedad en el aire expulsado	<ol style="list-style-type: none"> Exceso de agua en el tanque Humedad alta 	<ol style="list-style-type: none"> Drene el tanque Mueva el compresor a una área menos húmeda; use un filtro de aire incorporado a la línea
El compresor funciona continuamente	<ol style="list-style-type: none"> El presostato está dañado Consumo excesivo de aire 	<ol style="list-style-type: none"> Reemplace el presostato Disminuya el consumo de aire; el compresor es muy pequeño para suministrar el aire requerido
El motor hace ruido pero no funciona o funciona lentamente	<ol style="list-style-type: none"> Sobrecarga del circuito Uso del cable de extensión – calibre inadecuado del cable y/o demasiado largo. Conexiones eléctricas sueltas Válvula de retención desgastada Válvula de descarga defectuosa (en el interruptor de presión) Condensador(es) del motor defectuoso(s) Motor defectuoso 	<ol style="list-style-type: none"> Desconecte los demás accesorios eléctricos del circuito, o haga funcionar el compresor en su propio ramal del circuito. Retire el cable de extensión o consulte la Tabla para el Cable de Extensión, en la página 20 Verifique todas las conexiones eléctricas. Cambie la válvula de retención <p style="text-align: center;">⚠ PELIGRO</p> <p>Antes de desmantelar la válvula de chequeo purgue el aire del tanque</p> <ol style="list-style-type: none"> Cambie la válvula de descarga. Reemplace el condensador(es). Cambie el motor
El protector de sobrecarga térmica se activa constantemente	<ol style="list-style-type: none"> Falta de ventilación adecuada/ temperatura ambiente demasiado alta El filtro de entrada está obstruido Circuito sobrecargado Uso del cable de extensión – calibre inadecuado del cable y/o demasiado largo. Válvula de retención desgastada Válvula de descarga defectuosa (en el interruptor de presión) Motor defectuoso 	<ol style="list-style-type: none"> Mueva el compresor a un área bien ventilada. Límpielo o reemplácelo Cerciórese de que está usando el fusible adecuado, use un fusible de acción retardada. Desconecte los otros artefactos eléctricos del circuito o conecte el compresor a otro circuito. Retire el cable de extensión o consulte la Tabla para el Cable de Extensión, en la página 20 Cambie la válvula de retención <p style="text-align: center;">⚠ PELIGRO</p> <p>Antes de desmantelar la válvula de chequeo purgue el aire del tanque</p> <ol style="list-style-type: none"> Cambie la válvula de descarga. Cambie el motor

Manual de Instrucciones

Garantía Limitada

1. DURACIÓN: A partir de la fecha de compra por el comprador original: Un Año.
 2. QUIEN OTORGA ESTA GARANTÍA (EL GARANTE: Campbell Hausfeld / The Scott Fetzer Company 100 Production Drive, Harrison, Ohio 45030 Teléfono: (800) 543-6400
 3. QUIEN RECIBE ESTA GARANTÍA (EL COMPRADOR): El comprador original (que no sea un revendedor) del producto Campbell Hausfeld.
 4. PRODUCTOS CUBIERTOS POR ESTA GARANTÍA: Cualquier compresor de aire Campbell Hausfeld.
 5. COBERTURA DE LA GARANTÍA: Piezas y Mano de Obra para remediar defectos importantes debidos a material y mano de obra durante el primer año de propiedad con las excepciones indicadas a continuación.
 6. LO QUE NO ESTÁ CUBIERTO POR ESTA GARANTÍA:
 - A. Las garantías implícitas, incluyendo aquéllas de comerciabilidad e IDONEIDAD PARA FINES PARTICULARES, ESTÁN LIMITADAS A PARTIR DE LA FECHA DE COMPRA ORIGINAL DE ACUERDO CON LO ESPECIFICADO EN EL PÁRRAFO DE DURACIÓN. Si el compresor de aire es empleado para uso comercial, industrial o para renta, la garantía será aplicable por noventa (90) días a partir de la fecha de compra. En algunos estados no se permiten las limitaciones a la duración de una garantía implícita, por lo cual las limitaciones antedichas pueden no ser aplicables en su caso.
 - B. CUALQUIER PÉRDIDA DAÑO INCIDENTAL, INDIRECTO O CONSECUENTE QUE PUEDA RESULTAR DE UN DEFECTO, FALLA O MALFUNCIONAMIENTO DEL PRODUCTO CAMPBELL HAUSFELD. En algunos estados no se permite la exclusión o limitación de daños incidentales o consecuentes, por lo tanto, en tales casos esta limitación o exclusión no es aplicable
 - C. Cualquier falla que resulte de un accidente, abuso, negligencia o incumplimiento de las instrucciones de funcionamiento y uso indicadas en el (los) manual(es) que se adjunta(n) al compresor.
 - D. Los servicios requeridos antes de la entrega tales como: ensamblaje, aceite o lubricantes y ajustes.
 - E. Artículos o servicios normalmente requeridos para el mantenimiento del producto, tales como: lubricantes, filtros, empaques, etc.
 - F. Los motores de gasolina están específicamente excluidos de la cobertura de esta garantía limitada. El comprador debe seguir las cláusulas de la garantía otorgada por el fabricante del motor de gasolina que se suministra con el producto.
 - G. Artículos adicionales no cubiertos bajo esta garantía:
 1. Piezas excluidas que pertenecen a Todos los Compresores
 - a. Cualquier componente dañado durante el envío o cualquier daño ocasionado por haber instalado u operado la unidad bajo condiciones contrarias a lo indicado en las instrucciones para instalar u operar la unidad o daños ocasionados por el contacto con herramientas o los alrededores.
 - b. Daños del cabezal o las válvulas ocasionados por la lluvia, humedad excesiva, agentes corrosivos u otros contaminantes.
 - c. Daños de apariencia que no afecten el funcionamiento del compresor.
 - d. Tanques oxidados, incluyendo pero no limitado al óxido debido al drenaje inadecuado u agentes corrosivos en el ambiente.
 - e. Las siguientes piezas se consideran artículos sujetos a desgaste normal y no son cubiertas después del primer año de propiedad. Motor eléctrico, válvula de retención, interruptor de presión, regulador, manómetros, mangueras, tuberías, tubos, accesorios y acoples, tornillos, tuercas, artículos de ferretería, correas, poleas, volante, filtro de aire y caja, juntas, sellos, pérdidas de aceite, pérdidas de aire, consumo o uso de aceite, anillos del pistón.
 - f. Llaves de drenaje
 - g. Daños debidos al alambrado incorrecto o conexión a circuitos con voltaje inadecuados para la unidad.
 - h. Otros artículos no enumerados pero considerados de desgaste general.
 - i. Presostatos, controles de flujo de aire y válvulas de seguridad cuyos parametros fijados de fábrica se modifiquen.
 - j. Daño por mantenimiento inadecuado del filtro.
 - k. Motores de inducción alimentados con electricidad producida por un generador.
 2. Compresores lubricados
 - a. Daños del cabezal o las válvulas debidos al uso de aceites no especificados.
 - b. Daños del cabezal o las válvulas debidos a cualquier contaminación del aceite o por no haber seguido las instrucciones de lubricación.
 - c. Desgaste o daño de la bomba causados por el no haber aplicado apropiadamente los criterios de mantenimiento en referencia al aceite, funcionamiento con nivel de aceite por debajo del nivel apropiado o funcionamiento sin aceite.
 7. RESPONSABILIDADES DEL GARANTE BAJO ESTA GARANTÍA: Reparar o reemplazar, como lo decida el Garante, el compresor o componentes que estén defectuosos, se hayan dañado o hayan dejado de funcionar adecuadamente, durante el período de validez de la garantía
 8. RESPONSABILIDADES DEL COMPRADOR BAJO ESTA GARANTÍA:
 - A. Suministrar prueba fechada de compra y la historia de mantenimiento del producto.
 - B. Entregar o enviar los compresores de aire portátiles o componentes al Centro de Servicio autorizado Campbell Hausfeld más cercano. Los gastos de flete, de haberlos, deben ser pagados por el comprador.
 - C. Tener cuidado al utilizar el producto, tal como se indica(n) en el (los) manual(es) del propietario.
 - D. Reparaciones que requieran tiempo adicional al horario normal de trabajo, o cualquier asunto que exceda la tarifa normal de reembolso por mano de obra para reparaciones bajo la garantía del fabricante.
 - E. El tiempo requerido por cualquier control de seguridad, capacitación relacionada con seguridad, o asuntos similares necesarios para que el personal de servicio pueda tener acceso a las instalaciones.
 - F. La ubicación de la unidad debe tener espacio suficiente para que el personal de servicio pueda realizar reparaciones y debe ser fácilmente accesible.
 9. CUÁNDO EFECTUARÁ EL GARANTE LA REPARACIÓN O REEMPLAZO CUBIERTO BAJO ESTA GARANTÍA: La reparación o reemplazo dependerá del flujo normal de trabajo del centro de servicio y de la disponibilidad de repuestos.
- Esta garantía limitada es válida sólo en los EE.UU., Canadá y México y otorga derechos legales específicos. Usted también puede tener otros derechos que varían de un Estado a otro. o de un país a otro.
-