

Please read and save these instructions. Read carefully before attempting to assemble, install, operate or maintain the product described. Protect yourself and others by observing all safety information. Failure to comply with instructions could result in personal injury and/or property damage! Retain instructions for future reference.

Oilless Compressors

Description

Oilless compressors are designed for a variety of home tasks. These compressors can power smaller pneumatic tools, but work ideally for brad nailers, finishing nailers and staplers. **These units operate without oil.**

Safety Guidelines

This manual contains information that is very important to know and understand. This information is provided for SAFETY and to PREVENT EQUIPMENT PROBLEMS. To help recognize this information, observe the following symbols.

▲ DANGER Danger indicates an imminent hazardous situation which, if not avoided, will result in death or serious injury.

▲ WARNING Warning indicates a potentially hazardous situation which, if not avoided, COULD result in death or serious injury.

▲ CAUTION Caution indicates a potentially hazardous situation which, if not avoided, MAY result in minor or moderate injury.

NOTICE Notice indicates important information, that if not followed, may cause damage to equipment.

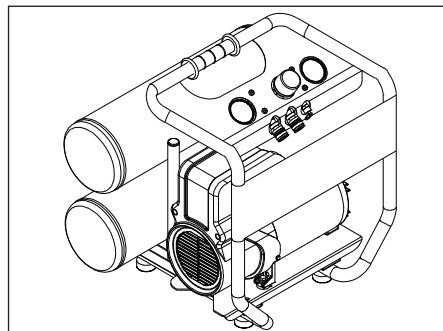
Unpacking

After unpacking the unit, inspect carefully for any damage that may have occurred during transit. Make sure to tighten fittings, bolts, etc., before putting unit into service. In case of questions, damaged or missing parts, please call the nearest Maxus Authorized Service Center. Have the serial number, model number and parts list (with missing parts circled before calling).



DO NOT RETURN THE PRODUCT TO THE RETAILER!

▲ WARNING Do not operate unit if damaged during shipping, handling or use. Damage may result in bursting and cause injury or property damage.



Record the Model and Serial numbers (located on the compressor) and the date of purchase in the spaces below.

Model No. _____

Serial No. _____

Date of purchase _____

Retain these numbers for future reference.

CALIFORNIA PROPOSITION 65

▲ WARNING You can create dust when you cut, sand, drill or grind materials such as wood, paint, metal, concrete, cement, or other masonry. This dust often contains chemicals known to cause cancer, birth defects, or other reproductive harm. Wear protective gear.



▲ WARNING This product or its power cord contains lead, a chemical known to the State of California to cause cancer and birth defects or other reproductive harm. Wash hands after handling.

▲ DANGER

Breathable Air Warning

This compressor/pump is NOT equipped and should NOT be used "as is" to supply breathing quality air. For any application of air for human consumption, you must fit the air compressor/pump with suitable in-line safety and alarm equipment. This additional equipment is necessary to properly filter and purify the air to meet minimal specifications for Grade D breathing as described in Compressed Gas Association Commodity Specification G 7.1 - 1966, OSHA 29 CFR 1910. 134, and/or Canadian Standards Associations (CSA).

DISCLAIMER OF WARRANTIES IN THE EVENT THE COMPRESSOR IS USED FOR THE PURPOSE OF BREATHING AIR APPLICATION AND PROPER IN-LINE SAFETY AND ALARM EQUIPMENT IS NOT SIMULTANEOUSLY USED, EXISTING WARRANTIES ARE VOID, AND THE MANUFACTURER DISCLAIMS ANY LIABILITY WHATSOEVER FOR ANY LOSS, PERSONAL INJURY OR DAMAGE.

General Safety Information

OPERATIONAL SAFETY

Since the air compressor and other components (material pump, spray guns, filters, lubricators, hoses, etc.) used, make up a high pressure pumping system, the following safety precautions must be observed at all times:

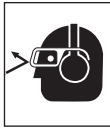
1. Read all manuals included with this product carefully. Be thoroughly familiar with the controls and the proper use of the equipment.



REMINDER: Keep your dated proof of purchase for warranty purposes! Attach it to this manual or file it for safekeeping.

General Safety Information (cont.)

- Follow all local electrical and safety codes, as well as in the U.S.A., National Electrical Codes (NEC) and Occupational Safety and Health Act (OSHA).
- Only persons well acquainted with these rules of safe operation should be allowed to use the compressor.
- Keep visitors away and NEVER allow children in the work area.
- Wear safety glasses and use hearing protection when operating the pump or unit.
- Do not stand on or use the pump or unit as a handhold.
- Before each use, inspect compressed air system and electrical components for signs of damage, deterioration, weakness or leakage. Repair or replace defective items before using.
- Check all fasteners at frequent intervals for proper tightness.



⚠ WARNING *Motors, electrical equipment and controls can cause electrical arcs that will ignite a flammable gas or vapor. Never operate or repair in or near a flammable gas or vapor. Never store flammable liquids or gases in the vicinity of the compressor.*



⚠ CAUTION *Compressor parts may be hot even if the unit is stopped.*



- Keep fingers away from a running compressor; fast moving and hot parts will cause injury and/or burns.
- If the equipment should start to abnormally vibrate, STOP the engine/motor and check immediately for the cause. Vibration is generally a warning of trouble.
- To reduce fire hazard, keep engine/motor exterior free of oil, solvent, or excessive grease.

⚠ WARNING *Never remove or attempt to adjust safety valve. Keep safety valve free from paint and other accumulations.*

⚠ DANGER *Never attempt to repair or modify a tank! Welding, drilling or any other modification will weaken the tank resulting in damage from rupture or explosion. Always replace worn or damaged tanks.*



NOTICE *Drain liquid from tank daily.*

- Tanks rust from moisture build-up, which weakens the tank. Make sure to drain tank daily and inspect periodically for unsafe conditions such as rust formation and corrosion.
- Fast moving air will stir up dust and debris which may be harmful. Release air slowly when draining moisture or depressurizing the compressor system.

SPRAYING PRECAUTIONS

⚠ WARNING *Do not spray flammable materials in vicinity of open flame or near ignition sources including the compressor unit.*



- Do not smoke when spraying paint, insecticides, or other flammable substances.
- Use a face mask / respirator when spraying and spray in a well ventilated area to prevent health and fire hazards.
- Do not direct paint or other sprayed material at the compressor. Locate compressor as far away from the spraying area as possible to minimize overspray accumulation on the compressor.
- When spraying or cleaning with solvents or toxic chemicals, follow the instructions provided by the chemical manufacturer.



Installation

LOCATION

The tank must sit level or slope slightly towards the drain valve to allow the tank to drain properly. It is extremely important to install the compressor in a clean, well ventilated area where the surrounding air temperature will not be more than 40°C (104°F). A minimum clearance of 0.1 meters (4 inches) between the compressor and a wall is required because objects could obstruct air flow.

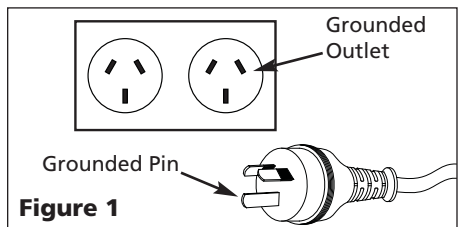
⚠ CAUTION *Do not locate the compressor air inlet near steam, paint spray, sandblast areas or any other source of contamination. This debris will damage the motor.*

ELECTRICAL INSTALLATION

⚠ WARNING *All wiring and electrical connections should be performed by a qualified electrician. Installation must be in accordance with local codes and national electrical codes.*

GROUNDING INSTRUCTIONS

- This product is for use on a nominal 240 volt circuit and has a grounding plug that looks like the plug illustrated in Figure 1. Make sure the product is connected to an outlet having the same configuration as the plug. This product must be grounded. In the event of an electrical short circuit, grounding reduces risk of electrical shock by providing an escape wire for electric current. This product is equipped with a cord having a grounding wire with an appropriate grounding plug. Cord must be plugged into an outlet that is properly installed and grounded in accordance with all local codes and ordinances.



⚠ DANGER *Improper use of grounding plug can result in a possible risk of electrical shock!*



Installation (cont.)

⚠ DANGER *Do not use a grounding adapter with this product!*

2. If repair or replacement of cord or plug is necessary, do not connect grounding wire to either flat blade terminal. The wire with insulation having an external surface that is green (with or without yellow stripes) is the grounding wire.

⚠ WARNING *Never connect green (or green and yellow) wire to a live terminal.*

3. Check with a qualified electrician or serviceman if grounding instructions are not completely understood, or if in doubt as to whether product is properly grounded. Do not modify plug provided; if it will not fit outlet, have proper outlet installed by a qualified electrician.

WIRING

1. Local electrical wiring codes differ from area to area. Source wiring, plug and protector must be rated for at least the amperage and voltage indicated on motor nameplate, and meet all electrical codes for this minimum.
2. Use a slow blow fuse or a circuit breaker.

Minimum Gauge of Extension Cord

25 ft.	50 ft.	100 ft.
14	12	10

Use of an extension cord may cause excess heat to motor. This could lead to tripped breaker (at electrical panel) or tripped thermal overload (on compressor motor). If this occurs, eliminate extension cord and plug compressor directly into electrical outlet. Avoid using extension cords; use longer air hose(s) instead.

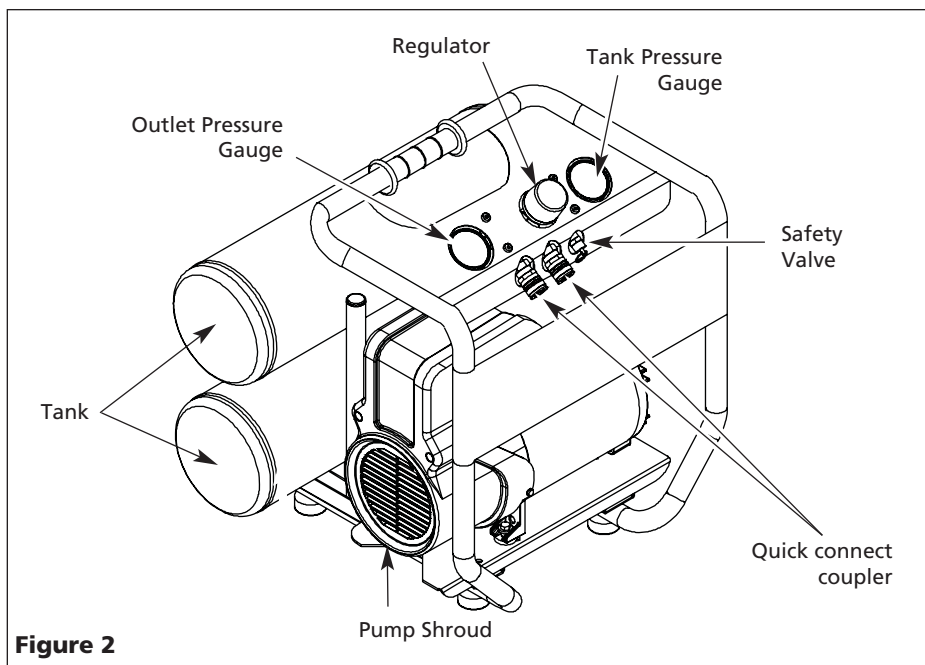


Figure 2

Glossary of Terms

Pressure Switch - Auto/Off Switch - In the **AUTO** position, the compressor shuts off automatically when tank pressure reaches the maximum preset pressure. In the **OFF** position, the compressor will not operate. This switch should be in the **OFF** position when connecting or disconnecting the power cord from the electrical outlet or when changing air tools.

Regulator - The regulator controls the amount of air pressure released at the hose outlet.

ASME Safety Valve - This valve automatically releases air if the tank pressure exceeds the preset maximum.

Discharge Tube - This tube carries compressed air from the pump to the check valve. This tube becomes very hot during use. To avoid the risk of severe burns, never touch the discharge tube.

Check Valve - One-way valve that allows air to enter the tank, but prevents air in the tank from flowing back into the compressor pump.

Tank Drain - This valve is located on the bottom of the tank. Use this valve to drain moisture from the tank daily to reduce the risk of corrosion.

MOISTURE IN COMPRESSED AIR

Moisture in compressed air will form into droplets as it comes from an air compressor pump. When humidity is high or when a compressor is in continuous use for an extended period of time, this moisture will collect in the tank. When using a paint sprayer, this water will be carried from the tank through the hose, and out of the gun as droplets mixed with the spray material.

IMPORTANT: This condensation will cause water spots in a paint job, especially when spraying other than water based paints. A filter in the air line (MP3105), located as near to the gun as possible, will help eliminate this moisture.

Reduce tank pressure below 10 psi by pulling the safety valve, then drain moisture from tank. Drain daily to avoid tank corrosion.

LUBRICATION

This is an oilless product and **does not** require lubrication to operate.

Operation

ASME SAFETY VALVE

⚠ WARNING Do not remove or attempt to adjust the safety valve!

This valve should be checked under pressure occasionally by pulling the ring by hand. If air leaks after ring has been released, or valve is stuck and cannot be actuated by ring, it MUST be replaced.

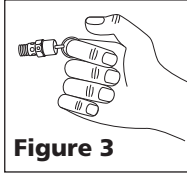


Figure 3

REGULATOR KNOB

1. This knob controls air pressure to an air operated tool, or paint spray gun.
2. Turning knob clockwise increases air pressure at outlet.
3. Turning counterclockwise will lower air pressure at outlet.
4. Fully counterclockwise will shut off flow of air completely.

OUTLET PRESSURE GAUGE

1. This gauge shows at-a-glance, air pressure at outlet. Air pressure is measured in bar [1 bar is equal to 14.5 pounds per square inch (psi)].
2. Be sure this gauge reads ZERO before changing air tools or disconnecting hose from outlet.

TANK PRESSURE GAUGE

Gauge shows pressure in tank indicating compressor is building pressure properly.

Maintenance

⚠ WARNING Disconnect power source then release all pressure from the system before attempting to install, service, relocate or perform any maintenance.



The compressor should be checked often for any visible problems and the following maintenance procedures should be performed each time the compressor is used.

1. Pull ring on safety valve and allow it to snap back to normal position.

⚠ WARNING Safety valve must be replaced if it cannot be actuated or it leaks air after ring is released.

2. With compressor shut off and pressure released: Drain moisture from tank by opening drain valve underneath tank (See Figure 4).

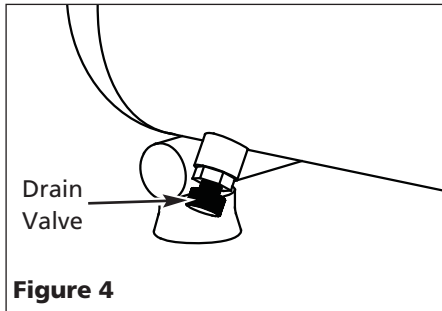


Figure 4

3. Turn power OFF and clean dust and dirt from motor, tank, and air lines.

IMPORTANT: Unit should be located as far from spraying area as hose will allow to prevent over-spray from clogging intake port.

THERMAL OVERLOAD PROTECTOR

⚠ CAUTION This compressor is equipped with an automatic reset thermal overload protector which will shut off motor if it becomes overheated.

If thermal overload protector shuts motor OFF frequently look for the following causes.

1. Low voltage.
2. Wrong gauge wire or length of extension cord.
3. Clogged air filter.
4. Lack of proper ventilation.

⚠ CAUTION The motor must be allowed to cool down before start-up is possible. The motor will automatically restart without warning if left plugged into electrical outlet, if the motor is turned on.

STORAGE

1. When not in use, store hose and compressor in a cool, dry place.
2. Drain tank of moisture
3. Disconnect hose and hang open ends down to allow any moisture to drain.

Troubleshooting Chart

Symptom	Possible Cause(s)	Corrective Action
Compressor will not run	<ol style="list-style-type: none"> 1. No electrical power 2. Breaker open 3. Pressure switch bad 4. Motor over worked 5. Tank pressure above cut-in 	<ol style="list-style-type: none"> 1. Plugged in? Switch on? Check fuse/breaker 2. Reset, determine cause of problem 3. Replace 4. Turn off, let cool, turn on. 5. Bleed tank pressure down to cut-in.
Fuses blow/circuit breaker trips repeatedly	<ol style="list-style-type: none"> 1. Incorrect size fuse, circuit overloaded 2. Extension cord usage - wrong gauge wire and/or too long. 3. Worn check valve 4. Defective unloader valve (on pressure switch) 5. Defective motor capacitor(s) 6. Defective motor 	<ol style="list-style-type: none"> 1. Check for proper fuse, use time-delay fuse. Disconnect other electrical appliances from circuit or operate compressor on its own branch circuit 2. Remove extension cord or refer to Extension Cord Chart on page 3 3. Replace check valve <p>⚠ DANGER <i>Do not disassemble check valve with air in tank; bleed tank</i></p> <ol style="list-style-type: none"> 4. Replace unloader valve. 5. Replace capacitor(s) 6. Replace motor
Tank pressure drops when compressor shuts off	<ol style="list-style-type: none"> 1. Loose connections (fittings, tubing, etc.) 2. Open tank drain valve 	<ol style="list-style-type: none"> 1. Check all connections with soap and water solution. Tighten; or remove and apply pipe dope or pipe tape to the threads, then reassemble. 2. Close tank drain valve
Air output lower than normal/low discharge pressure	<ol style="list-style-type: none"> 1. Excessive air usage 2. Clogged intake filter 3. Open tank drain valve 4. Air leaks in piping (on machine or in outside system) 5. Piston ring worn 6. Broken valve (in pump) 	<ol style="list-style-type: none"> 1. Decrease air usage; compressor not large enough for air requirement 2. Clean or replace filter 3. Close tank drain valve 4. Check all connections with soap and water solution. Tighten; or remove and apply pipe dope or pipe tape to the threads, then reassemble. 5. Replace piston and cylinder. 6. Replace valve
Excessive moisture in discharge air	<ol style="list-style-type: none"> 1. Excessive water in tank 2. High humidity 	<ol style="list-style-type: none"> 1. Drain tank 2. Move to area of less humidity; use air line filter
Compressor runs continuously	<ol style="list-style-type: none"> 1. Defective pressure switch 2. Excessive air usage 	<ol style="list-style-type: none"> 1. Replace switch 2. Decrease air usage; compressor not large enough for air requirement
Motor hums but cannot run or runs slowly	<ol style="list-style-type: none"> 1. Circuit overloaded 2. Extension cord usage - wrong gauge wire and/or too long. 3. Loose electrical connections 4. Worn check valve 5. Defective unloader valve (on pressure switch) 6. Defective motor capacitor(s) 7. Defective motor 	<ol style="list-style-type: none"> 1. Disconnect other electrical appliances from circuit or operate compressor on its own branch circuit 2. Remove extension cord or refer to Extension Cord Chart on page 3 3. Check all electrical connections 4. Replace check valve <p>⚠ DANGER <i>Do not disassemble check valve with air in tank; bleed tank</i></p> <ol style="list-style-type: none"> 5. Replace unloader valve 6. Replace capacitor(s) 7. Replace motor
Thermal overload protector cuts out repeatedly	<ol style="list-style-type: none"> 1. Lack of proper ventilation / room temperature too high 2. Clogged intake filter 3. Circuit overloaded 4. Extension cord usage - wrong gauge wire and/or too long. 5. Worn check valve 6. Defective unloader valve (on pressure switch) 7. Defective motor 	<ol style="list-style-type: none"> 1. Move compressor to well ventilated area 2. Clean or replace filter 3. Check for proper fuse, use time-delay fuse. Disconnect other electrical appliances from circuit or operate compressor on its own branch circuit 4. Remove extension cord or refer to Extension Cord Chart on page 3 5. Replace check valve <p>⚠ DANGER <i>Do not disassemble check valve with air in tank; bleed tank</i></p> <ol style="list-style-type: none"> 6. Replace unloader valve. 7. Replace motor

Limited Warranty

1. DURATION: From the date of purchase by the original purchaser as follows: three years or five years, depending on the model.
2. WHO GIVES THIS WARRANTY (WARRANTOR):
Maxus, 100 Production Drive, Harrison, Ohio, 45030
3. WHO RECEIVES THIS WARRANTY (PURCHASER): The original purchaser (other than for purposes of resale) of the Maxus product.
4. WHAT PRODUCTS ARE COVERED BY THIS WARRANTY: Any Maxus air compressor, air tool or supplementary air accessory supplied or manufactured by Warrantor.
5. WHAT IS COVERED UNDER THIS WARRANTY: Defects due to material and workmanship with the exceptions noted below.
6. WHAT IS NOT COVERED UNDER THIS WARRANTY:
 - A. Implied warranties, including those of merchantability and FITNESS FOR A PARTICULAR PURPOSE ARE LIMITED FROM THE DATE OF ORIGINAL PURCHASE AS STATED IN THE DURATION. If this product is used for commercial, industrial or rental purposes, the warranty will apply for ninety (90) days from the date of purchase. Four cylinder single-stage and two-stage products are not limited to a ninety (90) day warranty when used in commercial or industrial applications. Some States do not allow limitations on how long an implied warranty lasts, so the above limitations may not apply to you.
 - B. ANY INCIDENTAL, INDIRECT, OR CONSEQUENTIAL LOSS, DAMAGE, OR EXPENSE THAT MAY RESULT FROM ANY DEFECT, FAILURE, OR MALFUNCTION OF THE PRODUCT. Some States do not allow the exclusion or limitations of incidental or consequential damages, so the above limitation or exclusion may not apply to you.
 - C. Any failure that results from an accident, purchaser's abuse, neglect or failure to operate products in accordance with instructions provided in the owner's manual(s) supplied with product.
 - D. Pre-delivery service, i.e. assembly, oil or lubricants, and adjustment.
 - E. Normal adjustments or expendable items which are explained in the owner's manual(s) provided with the product including but not limited to belts and pressure switch.
 - F. Items or service that are normally required to maintain the product, i.e. lubricants, filters and gaskets, etc.
 - G. Gasoline engines and components are expressly excluded from coverage under this limited warranty. The Purchaser must comply with the warranty given by the engine manufacturer which is supplied with the product.
 - H. Additional items not covered under this warranty:
 1. All Compressors
 - a. Any component damaged in shipment or any failure caused by installing or operating unit under conditions not in accordance with installation and operation guidelines.
 - b. Pump or valve failure caused by rain, excessive humidity or corrosive environments.
 - c. Cosmetic defects that do not interfere with compressor functionality.
 - d. Rusted tanks, including but not limited to rust due to improper drainage.
 - e. Electric motors and check valves after the first year of ownership.
 - f. Drain cocks.
 - g. Damage due to improper wiring.
 - h. Other items not listed but considered general wear parts.
 2. Lubricated Compressors
 - a. Pump wear or valve damage caused by using oil not specified.
 - b. Pump wear or valve damage caused by any oil contamination or by failure to follow proper oil maintenance guidelines.
 3. Belt Drive / Direct Drive / Gas Driven Compressors
 - a. Belts.
 - b. Ring wear from inadequate filter maintenance.
 - c. Manually adjusted load/unload and throttle control devices.
7. RESPONSIBILITIES OF WARRANTOR UNDER THIS WARRANTY: Repair or replace, at Warrantor's option, products or components which are defective, have malfunctioned and/or failed to conform within duration of the warranty period.
8. RESPONSIBILITIES OF PURCHASER UNDER THIS WARRANTY:
 - A. Provide maintenance records to make warranty claim.
 - B. Portable products or components must be delivered or shipped to the nearest Maxus Authorized Service Center. Freight costs, if any, must be borne by the purchaser.
 - C. Use reasonable care in the operation and maintenance of the products as described in the owner's manual(s).
9. WHEN WARRANTOR WILL PERFORM REPAIR OR REPLACEMENT UNDER THIS WARRANTY:
 - A. Repair or replacement will be scheduled and serviced according to the normal work flow at the servicing location, and depending on the availability of replacement parts.
 - B. If the purchaser does not receive satisfactory results from the Authorized Service Center, the purchaser should contact the Maxus Product Service Department (see paragraph 2).

Limited Warranty applies in the U.S. and Canada only and gives you specific legal rights. You may also have other rights which vary from State to State or country to country.

S'il vous plaît lire et conserver ces instructions. Lire attentivement avant de monter, installer, utiliser ou de procéder à l'entretien du produit décrit. Se protéger ainsi que les autres en observant toutes les instructions de sécurité, sinon, il y a risque de blessure et/ou dégâts matériels ! Conserver ces instructions comme référence.

Compresseur Sans Huile

Description

Les compresseurs sans huile sont conçus pour une variété de projets domestiques. Ces compresseurs peuvent actionner de petits outils pneumatiques, mais ils travaillent spécialement bien avec les cloueuses de pointes de vitrier, couleuses de finissage et les agrafeuses. **Ces modèles fonctionnent sans huile.**

Directives de Sécurité

Ce manuel contient de l'information très importante qui est fournie pour la SÉCURITÉ et pour ÉVITER LES PROBLÈMES D'ÉQUIPEMENT. Rechercher les symboles suivants pour cette information.

⚠ DANGER Danger indique une situation hasardeuse imminente qui **RÉSULTERA** en perte de vie ou blessures graves.

⚠ AVERTISSEMENT Avertissement indique une situation hasardeuse potentielle qui **PEUT** résulter en perte de vie ou blessures graves.

⚠ ATTENTION Attention indique une situation hasardeuse potentielle qui **PEUT** résulter en blessures.

AVIS Avis indique de l'information importante pour éviter le dommage de l'équipement.

Déballage

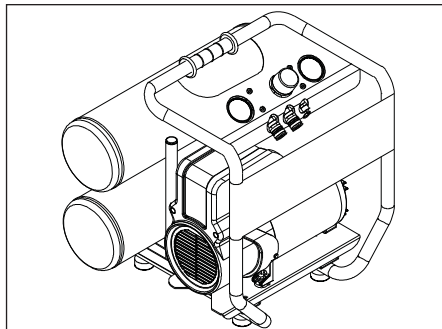
Lors du déballage de ce produit, l'examiner soigneusement pour rechercher toute trace de dommage susceptible de s'être produit en cours de transport. Veiller à serrer tout raccord, boulon, etc., avant de mettre ce produit en service. En cas de dommage ou de parties manquantes, S.V.P. composer le 1-888-MAXUS4U pour demander conseil ou appeler un Centre De Service Autorisé Maxus.

Prière d'avoir le numéro de série, numéro de modèle et liste de parties (avec les parties manquantes encerclées) avant d'appeler.



NE PAS RENVoyer LE PRODUIT AU MARCHAND!

⚠ AVERTISSEMENT Ne pas utiliser un modèle qui a été endommagé pendant le transport, la manipulation ou l'utilisation. Le dommage peut résulter en explosion et peut causer des blessures ou dégâts matériels.



Enregistrer les numéros de Modèle et de Série (Situés sur le compresseur) et la date d'achat dans l'espace ci-dessous.

No. de Modèle _____

No. de Série _____

Date d'Achat _____

Garder ces numéros pour référence.

PROPOSITION 65 CALIFORNIE

⚠ DANGER Vous pouvez créer de la poussière en coupant, ponçant, perçant ou meulant les matériaux tels que le bois, la peinture, le métal, le béton, le ciment ou autre maçonnerie. Cette poussière contient souvent des produits chimiques reconnus pour causer le cancer, les déformations congénitales ou autres problèmes de la reproduction. Portez de l'équipement de protection.



⚠ DANGER

Avertissement D'Air Respirable

Ce compresseur/pompe n'est pas équipé pour et ne devrait pas être utilisé "comme soi" pour fournir de l'air respirable. En cas d'applications d'air pour la consommation humaine, le compresseur d'air/pompe doit être équipé avec de l'équipement de sécurité en canalisation et d'alarme. Cet équipement additionnel est nécessaire pour filtrer et purifier l'air afin d'atteindre les spécifications minimales pour la respiration Grade D décrites dans le Compressed Gas Association Commodity Specification G 7.1 - 1966, OSHA 29 CFR 1910. 134, et/ou Canadian Standards Associations (CSA).

DÉNÉGATION DES GARANTIES SI LE COMPRESSEUR EST UTILISÉ POUR LES APPLICATIONS D'AIR RESPIRABLE ET L'ÉQUIPEMENT DE SÉCURITÉ EN CANALISATION ET D'ALARME N'EST PAS UTILISÉ SIMULTANÉMENT, LES GARANTIES EN EXISTANCE SERONT ANNULÉES, ET LE FABRICANT NIE TOUTE RESPONSABILITÉ POUR N'IMPORTE QUELLE PERTE, BLESSURE OU DOMMAGE.

⚠ AVERTISSEMENT Ce produit ou son cordon contient du plomb, un produit chimique qui de l'avis de l'État de Californie peut causer le cancer et des anomalies congénitales ou d'autres problèmes pour la reproduction. Se laver les mains après toute manipulation.

Généralités sur la Sécurité

SÉCURITÉ DE FONCTIONNEMENT

Puisque le compresseur d'air et les autres pièces détachées (pompe, pistolets, filtres, graisseurs, tuyaux, etc.) font partie d'un système de haute pression, il est nécessaire de suivre les précautions suivantes:

MÉMENTO : Gardez votre preuve datée d'achat à fin de la garantie ! Joignez-la à ce manuel ou classez-la dans un dossier pour plus de sécurité.

Généralités sur la Sécurité (suite)

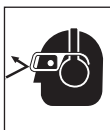
1. Lire attentivement tous manuels compris avec ce produit. Se familiariser avec ce produit, ses commandes et son utilisation.



2. Suivre tous les codes de sécurité locaux ainsi que les National Electrical Codes (NEC) and Occupational Safety and Health Act (OSHA) des É.-U.
3. Seules les personnes bien familiarisées avec ces règles d'utilisation doivent être autorisées à se servir du compresseur.

4. Garder les visiteurs à l'écart de/et NE JAMAIS permettre les enfants dans l'endroit de travail.

5. Utiliser des lunettes de sécurité et la protection auditive pendant l'utilisation du modèle.



6. Ne pas se tenir debout sur/ni utiliser le modèle comme une prise.
7. Inspecter le système d'air comprimé et pièces détachées électriques pour toute indication de dommage, détérioration, faiblesse ou fuites avant chaque utilisation. Réparer ou remplacer toutes pièces défectueuses avant l'utilisation.
8. Inspecter le degré de serrage de toutes attaches par intervalles régulières.

AVERTISSEMENT *Ne jamais essayer de réparer ou de modifier un réservoir! Le soudage, perçage ou autre modifications peuvent affaiblir le réservoir et peuvent résulter en dommage de rupture ou d'explosion. Toujours remplacer un réservoir usé, fendu ou endommagé.*



ATTENTION *Les pièces du compresseur peuvent être chaudes, même si le modèle est hors circuit.*



9. Garder les doigts à l'écart du compresseur; les pièces mobiles et chaudes peuvent causer des blessures et/ou des brûlures.
10. Si l'équipement vibre anormalement, ARRÊTER le moteur et l'inspecter immédiatement. La vibration est généralement une indication d'un problème.

11. Pour réduire le risque d'incendie, garder l'extérieur du moteur libre d'huile, de solvant ou de graisse excessive.

AVERTISSEMENT *Ne jamais enlever ou essayer d'ajuster la soupape de sûreté. Tenir la soupape de sûreté libre de peinture et d'autres accumulations.*

DANGER *Ne jamais essayer de réparer ou de modifier un réservoir! Le soudage, perçage ou autre modifications peuvent affaiblir le réservoir et peuvent résulter en dommage de rupture ou d'explosion. Toujours remplacer un réservoir usé, fendu ou endommagé.*



AVIS *Purger le réservoir quotidiennement.*

12. L'accumulation d'humidité cause la rouille qui peut affaiblir le réservoir. Assurez vous de drainer le réservoir chaque jour et de contrôler périodiquement pour découvrir de conditions de danger comme la formation d'oxydation et la corrosion.

13. L'air mouvante peut agiter la poussière et le débris qui peut être dangereux. Lâcher l'air lentement en purgeant l'humidité ou pendant la dépressurisation du système du compresseur.

PRÉCAUTIONS DE PULVÉRISATION

AVERTISSEMENT *Ne pas pulvériser les matériaux inflammables dans un endroit de flamme ouverte ni près d'une source d'ignition y compris le compresseur.*



14. Ne pas fumer pendant la pulvérisation de la peinture, d'insecticides ou autres matières inflammables.

15. Utiliser un masque / respirateur pendant la pulvérisation et pulvériser dans un endroit bien ventilé pour éviter le risque de blessures et d'incendie.



16. Ne pas diriger la peinture ou autre matériel pulvérisé vers le compresseur. Situer le compresseur aussi loin que possible de l'endroit de pulvérisation pour réduire l'accumulation de surpulvérisation sur le compresseur.

17. Suivre les instructions du fabricant pendant la pulvérisation ou le nettoyage avec des solvants ou produits chimiques toxiques.

Installation

ENDROIT

Le réservoir doit être nivelé ou incliné un peu vers le robinet de vidange afin de permettre le vidange correct. Il est très important d'installer le compresseur dans un endroit propre et bien ventilé où la température n'excédera pas 40° C (104° F). Laisser un espace libre de 10,16 cm (minimum) entre le compresseur et le mur car les objets peuvent obstruer la circulation d'air.

ATTENTION *Ne pas situer la prise d'air du compresseur près de la vapeur, un jet pulvérisé de peinture, endroits de décapage au sable ou autre sources de contamination. Le débris endommagera le moteur.*

INSTALLATION ÉLECTRIQUE

AVERTISSEMENT *Seul un électricien qualifié doit effectuer l'installation électrique et raccordements électriques. Respecter toutes les codes locaux et nationales de l'électricité.*

INSTRUCTIONS DE MISE À LA TERRE

1. Ce produit est conçu pour l'utilisation d'un circuit de 120 volts et a une fiche de mise à la terre comme celle indiquée sur la Figure 1. Assurer que le modèle est branché à une prise de courant qui a la même configuration que la fiche. Ce produit doit être mis à la terre. Dans l'événement d'un court-circuit, la mise à la terre diminue le risque de secousse électrique en fournissant un fil d'échappement pour le courant électrique. Ce produit est équipé avec un cordon qui a un fil de terre avec une fiche de terre. Le cordon doit être branché dans une prise de courant qui a été installée et mise à la terre correctement en respectant tous les codes et règlements locaux.

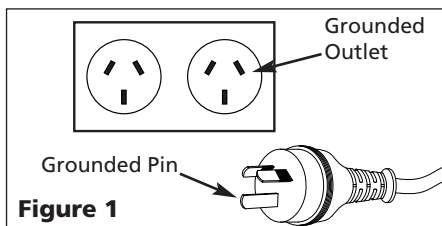


Figure 1

Installation (suite)

⚠ DANGER *L'usage incorrect d'une fiche mise à la terre peut résulter en secousse électrique!*



⚠ DANGER *Ne pas utiliser un adaptateur de mise à la terre avec ce produit!*

2. Si la réparation ou le remplacement du cordon ou de la fiche est nécessaire, ne pas connecter le fil de terre à ni une ni l'autre borne plate. Le fil avec l'isolation qui a une surface externe verte (avec ou sans rayures) est le fil de terre.

⚠ AVERTISSEMENT *Ne jamais brancher le fil vert (ou vert et jaune) à une borne électrisée.*

3. Si vous ne comprenez pas les instructions pour la mise à la terre ou si vous n'êtes pas certains si le produit est mis à la terre correctement, vérifier avec un électricien ou une personne qualifiée. Ne pas modifier la fiche fournie; si la fiche n'est pas la bonne taille pour la prise de courant, contacter un électricien qualifié pour l'installation d'une nouvelle prise de courant.

INSTALLATION DE FILS

1. Les codes électriques d'installation de fils sont variables d'un endroit à l'autre. Les fils d'alimentation, fiche et protecteurs doivent être classifiés pour au moins l'ampérage et la tension indiqués sur la plaque indicatrice du moteur et doivent répondre aux codes électriques pour ce minimum.
2. Utiliser une fusée à retardement ou un disjoncteur.

Calibre minimum de la rallonge

7,5 m	15 m	30 m
14	12	10

Utiliser une rallonge pourrait mener à une chaleur excessive au moteur. Ceci pourrait mener au déclenchement du disjoncteur (au panneau électrique) ou au déclenchement du protecteur de surcharge thermique (sur le moteur du compresseur). Si ceci se produit, éliminer la rallonge et brancher le compresseur directement dans la prise de courant. Éviter d'utiliser des rallonges, utiliser plutôt un(des) tuyau(x) à air plus long(s).

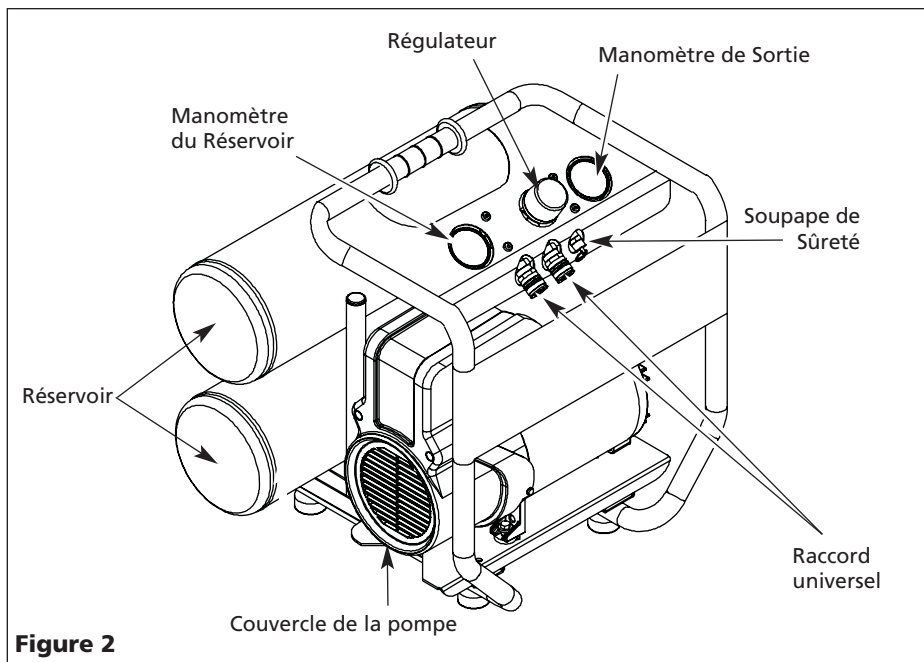


Figure 2

Glossaire des termes

Manostat - Interrupteur Auto/Off.

Dans la position **AUTO**, le compresseur se coupe automatiquement quand la pression du réservoir arrive à la pression maximale réglée d'avance. Dans la position **OFF**, le compresseur ne fonctionnera pas. Cet interrupteur devrait être dans la position OFF pendant le branchement ou le débranchement du cordon d'alimentation de la prise de courant ou pendant le changement d'outils pneumatiques.

Régulateur - Le régulateur sert à régler la pression d'air à la sortie du tuyau.

Soupape de Sûreté ASME - Cette soupape laisse échapper l'air si la pression du réservoir dépasse la pression maximum réglée d'avance.

Tuyau de Décharge - Ce tuyau transporte l'air comprimé de la pompe au clapet. Ce tuyau devient très chaud pendant l'utilisation. Pour éviter le risque des brûlures sévères, ne jamais toucher le tuyau de décharge.

Clapet - Une soupape à sens unique qui permet l'arrivée d'air dans le réservoir mais ne permet pas que l'air se recule dans la pompe.

Vidange du réservoir - Cette soupape est située sur la base du réservoir. Utiliser cette soupape pour purger l'humidité du réservoir quotidiennement afin de réduire le risque de corrosion.

Réduire la pression d'air du réservoir à 69 kPa (10 lb/po²) en tirant la soupape de sécurité, puis retirer l'humidité du réservoir. Vidanger chaque jour pour éviter la corrosion du réservoir.

LUBRIFICATION

Ce produit est "sans-huile" et **n'exige pas d'huile pour fonctionner.**

L'HUMIDITÉ DANS L'AIR COMPRIMÉ

L'humidité dans l'air comprimé forme des gouttelettes en arrivant de la pompe du compresseur. Si l'humidité est élevée ou si le compresseur est utilisé continuellement, cette humidité s'accumulera dans le réservoir. En utilisant un pistolet à peinture, cette eau sera transportée hors du réservoir par moyen du tuyau en forme de gouttelettes mélangées avec le matériel utilisé.

IMPORTANT: Cette condensation peut avoir comme résultat des taches d'eau sur votre travail de peinture, surtout en pulvérisant la peinture qui n'est pas de base d'eau. Pendant la décapage au sable, cette eau servira à tenir le sable ensemble et à causer une obstruction dans le pistolet.

Fonctionnement

SOUPAPE DE SÛRETÉ ASME

⚠ AVERTISSEMENT *Ne jamais enlever ou essayer d'ajuster la soupape de sûreté!*

Inspecter cette soupape de temps à temps en tirant sur la bague avec la main. S'il y a une fuite une fois que la bague est relâchée ou si la bague est prise, la soupape DOIT être remplacée.

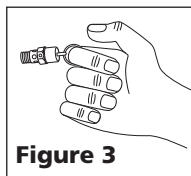


Figure 3

BOUTON DU RÉGULATEUR

1. Ce bouton règle la pression à un outil pneumatique ou à un pistolet pulvérisateur.
2. La pression d'air à la sortie est augmentée en tournant le bouton à la droite.
3. La pression d'air à la sortie est réduite en tournant le bouton à la gauche.
4. Pour couper le débit d'air, tourner complètement à la gauche.

MANOMÈTRE RÉGLÉ DE SORTIE D'AIR

1. Ce manomètre indique la pression d'air de sortie. La pression d'air est mesurée en kPa.
2. Assurer que le manomètre est à ZERO avant de changer les outils pneumatiques ou avant de débrancher le tuyau de la sortie.

MANOMÈTRE DU RÉSERVOIR

Le manomètre indique la pression dans le réservoir ce qui indique que le compresseur fonctionne bien.

Entretien

⚠ AVERTISSEMENT

Débrancher de la source de puissance et ensuite dissiper toute la pression du système avant d'essayer d'installer, de réparer, de déplacer ou de procéder à l'entretien.



Inspecter le compresseur souvant et suivre les procédés d'entretien suivants pendant chaque utilisation du compresseur.

1. Tirer sur l'anneau de la soupape de sûreté et la laisser revenir à sa position normale.

⚠ AVERTISSEMENT

S'il y a une fuite après que la soupape soit lâchée ou si la soupape ne fonctionne pas, elle devrait être remplacée.

2. Avec le compresseur hors circuit et la pression dissipée, purger l'humidité du réservoir en ouvrant le robinet de purge sous le réservoir. (Figure 4)

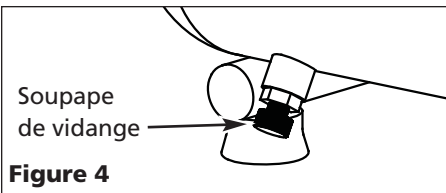


Figure 4

3. Tourner le bouton (de puissance) OFF et nettoyer la poussière et la saleté du moteur, réservoir, et canalisations d'air.

IMPORTANT: Situer l'unité aussi loin de l'endroit de pulvérisation que possible afin d'empêcher que l'orifice d'entrée devienne obstrué par la surpulvérisation.

PROTECTEUR DE SURCHARGE THERMIQUE

⚠ ATTENTION *Ce compresseur est équipé avec un protecteur de surcharge thermique de rajustement automatique qui sert à couper le moteur s'il devient surchauffé.*

Si le protecteur de surcharge thermique coupe le moteur (OFF) à maintes reprises, vérifier pour les causes suivantes.

1. Tension basse.
2. Calibre de fil ou taille de cordon prolongateur incorrect.
3. Filtre d'air obstrué.
4. Ventilation insuffisante.

⚠ ATTENTION *Le moteur doit se refroidir avant le démarrage si possible. Le moteur se relancera sans avis si branché dans une prise de courant et s'il est en marche (ON)*

ENTREPOSAGE

1. Si hors d'usage, entreposer le tuyau et le compresseur dans un endroit frais et sec.
2. Purger l'humidité du réservoir.
3. Débrancher le tuyau et l'accrocher avec les bouts ouverts face en bas afin de faire égoutter l'humidité.

Guide De Dépannage

Symptôme	Cause(s) Possible(s)	Mesures Correctives
Le compresseur ne fonctionne pas	<ol style="list-style-type: none"> 1. Manque de puissance électrique 2. Disjoncteur déclenché 3. Manostat en panne 4. Le moteur a travaillé excessivement. 5. La pression du réservoir se trouve au-dessus de la limite de coupure 	<ol style="list-style-type: none"> 1. Modèle branché? L'interrupteur est-il sur la position ON? Vérifier le fusible/disjoncteur 2. Rajuster et trouver la source du problème 3. Remplacer 4. Éteindre l'unité, laisser refroidir, mettre en marche. 5. Purger la pression du réservoir jusqu'à la limite de coupure.
Fusibles sautés/le disjoncteur se déclenche à maintes reprises	<ol style="list-style-type: none"> 1. Taille de fusible incorrect, surcharge 2. Utilisation de rallonge - Calibre inadéquat de la rallonge et/ou rallonge trop longue. 3. Soupape de retenue usée 4. Soupape de décharge défectueuse (sur le manostat) 5. Condensateur(s) de moteur défectueux 6. Moteur défectueux 	<ol style="list-style-type: none"> 1. Vérifier le type de fusible, utiliser un fusible à retardement. Débrancher les autres appareils électriques du circuit ou faire fonctionner le compresseur sur un circuit unique. 2. Retirer la rallonge ou se reporter au Tableau de Rallonges, page 9 Fr. 3. Remplacer la soupape de retenue <p>⚠ DANGER <i>Ne pas démonter le clapet s'il y a de l'air dans le réservoir; vidanger le réservoir</i></p> <ol style="list-style-type: none"> 4. Remplacer la soupape de décharge. 5. Remplacer le condensateur(s). 6. Remplacer le moteur
Perte de pression dans le réservoir à air quand le compresseur se coupe	<ol style="list-style-type: none"> 1. Raccordements dégagés (raccords, tuyaux, etc.) 2. Ouvrir le robinet de vidange du réservoir 	<ol style="list-style-type: none"> 1. Vérifier tous les raccordements avec de l'eau savonneuse. Resserrer; ou retirer et appliquer aux filets un produit scellant ou de ruban pour filets, puis remonter. 2. Fermer le robinet de vidange du réservoir
Débit d'air plus bas que normal/pression de décharge basse	<ol style="list-style-type: none"> 1. Utilisation d'air excessive 2. Filtre d'entrée obstrué 3. Ouvrir le robinet de vidange du réservoir 4. Fuites d'air dans la tuyauterie (sur le modèle ou dans le système extérieur) 5. Anneau de piston usé 6. Soupape brisée (dans la pompe) 	<ol style="list-style-type: none"> 1. Réduire l'utilisation d'air; le compresseur n'est pas assez large pour la demande d'air 2. Nettoyer ou remplacer le filtre 3. Fermer le robinet de vidange du réservoir 4. Vérifier tous les raccordements avec de l'eau savonneuse. Resserrer; ou retirer et appliquer aux filets un produit scellant ou de ruban pour filets, puis remonter. 5. Remplacer 6. Remplacer la soupape
Humidité excessive dans l'air de débit	<ol style="list-style-type: none"> 1. Eau excessive dans le réservoir 2. Humidité élevée 	<ol style="list-style-type: none"> 1. Purger le réservoir 2. Déplacer à un endroit moins humide; utiliser un filtre en canalisation d'air
Le compresseur fonctionne continuellement	<ol style="list-style-type: none"> 1. Manostat défectueux 2. Utilisation d'air excessive 	<ol style="list-style-type: none"> 1. Remplacer le manostat 2. Réduire l'utilisation d'air; le compresseur n'est pas assez large pour la demande d'air
Le moteur ronron mais ne peut pas fonctionner ou fonctionne lentement	<ol style="list-style-type: none"> 1. Surcharge de circuit 2. Utilisation de rallonge - Calibre inadéquat de la rallonge et/ou rallonge trop longue. 3. Connexions électriques dégagées 4. Soupape de retenue usée 5. Soupape de décharge défectueuse (sur le manostat) 6. Condensateur(s) de moteur défectueux 7. Moteur défectueux 	<ol style="list-style-type: none"> 1. Débrancher les autres appareils électriques du circuit ou faire fonctionner le compresseur sur un circuit réservé. 2. Retirer la rallonge ou se reporter au Tableau de Rallonges, page 9 Fr 3. Vérifier tous les connexions électriques 4. Remplacer la soupape de retenue <p>⚠ DANGER <i>Ne pas démonter le clapet s'il y a de l'air dans le réservoir; vidanger le réservoir</i></p> <ol style="list-style-type: none"> 5. Remplacer la soupape de décharge. 6. Remplacer le condensateur(s). 7. Remplacer le moteur
Le protecteur de surcharge thermique se déclenche à maintes reprises	<ol style="list-style-type: none"> 1. Manque de ventilation adéquate/ température ambiante trop élevée. 2. Filtre d'air obstrué 3. Surcharge de circuit 4. Utilisation de rallonge - Calibre inadéquat de la rallonge et/ou rallonge trop longue. 5. Soupape de retenue usée 6. Soupape de décharge défectueuse (sur le manostat) 7. Moteur défectueux 	<ol style="list-style-type: none"> 1. Déplacer le moteur dans un endroit bien ventilé 2. Nettoyer ou remplacer 3. Vérifier le type de fusible, utiliser un fusible à retardement. Débrancher les autres appareils électriques du circuit ou faire fonctionner le compresseur sur un circuit réservé. 4. Retirer la rallonge ou se reporter au Tableau de Rallonges, page 9 Fr. 5. Remplacer la soupape de retenue <p>⚠ DANGER <i>Ne pas démonter le clapet s'il y a de l'air dans le réservoir; vidanger le réservoir</i></p> <ol style="list-style-type: none"> 6. Remplacer la soupape de décharge. 7. Remplacer le moteur

Garantie Limitée

1. DURÉE: À partir de la date d'achat par l'acheteur original comme suit: trois ans ou cinq ans, selon le modèle.
2. GARANTIE ACCORDÉE PAR (GARANT): Maxus, 100 Production Drive, Harrison, Ohio, 45030
3. BÉNÉFICIAIRE DE CETTE GARANTIE (ACHETEUR): L'acheteur original (sauf en cas de revente) du produit Maxus.
4. PRODUITS COUVERTS PAR CETTE GARANTIE: N'importe quel compresseur d'air, outil pneumatique ou accessoire pneumatique supplémentaire Maxus qui est fourni par ou fabriqué par le Garant.
5. COUVERTURE DE LA PRÉSENTE GARANTIE: Défauts de matière et de fabrication avec les exceptions indiquées ci-dessous.
6. LA PRÉSENTE GARANTIE NE COUVRE PAS:
 - A. Les garanties implicites, y compris celles de commercialisabilité et D'ADAPTION À UNE FONCTION PARTICULIÈRE SONT LIMITÉES À PARTIR DE LA DATE D'ACHAT INITIALE TELLE QU'INDIQUÉE DANS LA SECTION DURÉE. Si ce compresseur d'air est utilisé pour une fonction commerciale ou pour la location, la durée de la garantie sera quatre-vingt-dix (90) jours à compter de la date d'achat. Les produits à quatre cylindres d'un ou de deux étages ne sont pas limités à une garantie de quatre-vingt-dix (90) jours si utilisés dans les applications commerciales ou industrielles. Quelques Provinces (États) n'autorisent pas de limitations de durée pour les garanties implicites. Les limitations précédentes peuvent donc ne pas s'appliquer.
 - B. TOUT DOMMAGE, PERTE OU DÉPENSE FORTUIT OU INDIRECT POUVANT RÉSULTER DE TOUT DÉFAUT, PANNE OU MAUVAIS FONCTIONNEMENT DU PRODUIT. Quelques Provinces (États) n'autorisent pas l'exclusion ni la limitation des dommages fortuits ou indirects. La limitation ou l'exclusion précédente peut ne donc pas s'appliquer.
 - C. Toute panne résultant d'un accident, d'une utilisation abusive, de la négligence ou d'une utilisation ne respectant pas les instructions données dans le(s) manuel(s) accompagnant le produit.
 - D. Service avant livraison; le montage, l'huile ou la graisse et les réglages par exemples.
 - E. Réglages normaux ou articles qui ne sont pas indispensables qui sont expliqués dans le(s) manuel(s) d'utilisation accompagnant le produit, y compris, mais pas limités aux courroies et au manostat.
 - F. Articles ou services qui sont exigés pour l'entretien du produit; graisses, filtres et joints d'étanchéités par exemples.
 - G. Les moteurs à essence et les pièces détachées sont expressément exclus de cette garantie limitée. L'acheteur doit observer la garantie du fabricant de moteur qui est fournie avec le produit.
 - H. Articles supplémentaires qui ne sont pas couverts sous cette garantie:
 1. Tous les Compresseurs
 - a. Toutes pièces détachées endommagées pendant l'expédition ou n'importe quelle panne causée par un montage ou fonctionnement du modèle sous des conditions qui ne conforment pas aux directives de montage et de fonctionnement.
 - b. La panne de la pompe ou de la soupape causée par la pluie, l'humidité excessive ou un environnement corrosif.
 - c. Les défauts de forme qui n'ont pas d'effet sur le fonctionnement du compresseur
 - d. Les réservoirs rouillés, y compris mais pas limités à la rouille causé par le vidange incorrect.
 - e. Les moteurs électriques et clapets après la première année de possession.
 - f. Robinets de vidange.
 - g. Condensateurs de moteur.
 - h. Autres articles pas inscrits, mais considérés pièces à usure générale.
 2. Compresseurs Graissés
 - a. Usure de la pompe ou dommage aux soupapes causé par l'utilisation d'huile non-spécifiée.
 - b. Usure de la pompe ou dommage aux soupapes causé par toute contamination d'huile ou par le manque de suivre les directives d'entretien d'huile.
 3. Commande par Courroie / Commande Directe / Compresseurs à Essence
 - a. Courroies
 - b. Usure de bagues causée par l'entretien de filtre insuffisant
 - c. Appareils manuels de chargement/déchargement et appareils de commande d'obturateur.
7. RESPONSABILITÉS DU GARANT AUX TERMES DE CETTE GARANTIE: Réparation ou remplacement, au choix du Garant, des produits ou pièces qui se sont révélés défectueux ou qui ne se sont pas conformés pendant la durée de validité de la garantie.
8. RESPONSABILITÉS DE L'ACHETEUR AUX TERMES DE CETTE GARANTIE:
 - A. Fournissez les fiches d'entretien pour faire réclamation de la garantie.
 - B. Les produits portatifs ou pièces détachées doivent être livrés au Centre de Service Autorisé Maxus le plus près.
 - C. Utilisation et entretien du produit avec un soin raisonnable, ainsi que le décrit le(s) manuel(s) d'utilisation.
9. RÉPARATION OU REMPLACEMENT EFFECTUÉ PAR LE GARANT AUX TERMES DE LA PRÉSENTE GARANTIE:
 - A. La réparation ou le remplacement sera prévu et exécuté en fonction de la charge de travail dans le centre de service et dépendra de la disponibilité des pièces de rechange.
 - B. Si l'acheteur n'est pas satisfait des services du Centre De Service Autorisé, l'acheteur devrait contacter le Département De Service Maxus (se référer au paragraphe 2).

Garantie Limitée est valide dans les É.-U. et au Canada seulement et vous donne des droits judiciaires spécifiques. Vous pouvez également jouir d'autres droits qui varient d'un État à l'autre ou d'un pays à l'autre.

Por favor, leia e guarde essas instruções. Leia com atenção antes de tentar montar, instalar, utilizar ou fazer manutenção no produto descrito. Proteja a si mesmo e outras pessoas observando todas as informações de segurança, caso contrário podem ocorrer lesões pessoais e danos materiais! Guarde essas instruções para futuras consultas.

Compressores sem óleo

Descrição

Os compressores sem óleo são projetados para uma variedade de aplicações domésticas. Esses compressores podem acionar pequenas ferramentas pneumáticas, mas são ideais para máquinas de pregar pregos, máquinas de pregar pregos de acabamento e grampeadores. **Essas unidades funcionam sem óleo.**

Normas de Segurança

Esse manual contém informações muito importantes de serem conhecidas e compreendidas. Essas informações são fornecidas para SEGURANÇA e para EVITAR PROBLEMAS COM O EQUIPAMENTO. Para ajudar a reconhecer essas informações, observe os seguintes símbolos.

▲ PERIGO Perigo indica uma situação de perigo iminente que, se não evitada, resulta em morte ou lesão grave.

▲ AVISO Advertência indica uma situação potencialmente perigosa que, se não evitada, pode resultar em morte ou lesão grave.

▲ CUIDADO Atenção indica uma situação potencialmente perigosa que, se não evitada, pode resultar em lesão menor ou moderada.

NOTA Aviso indica informação importante que, se não for seguida, pode causar dano ao equipamento.

Remoção da Embalagem

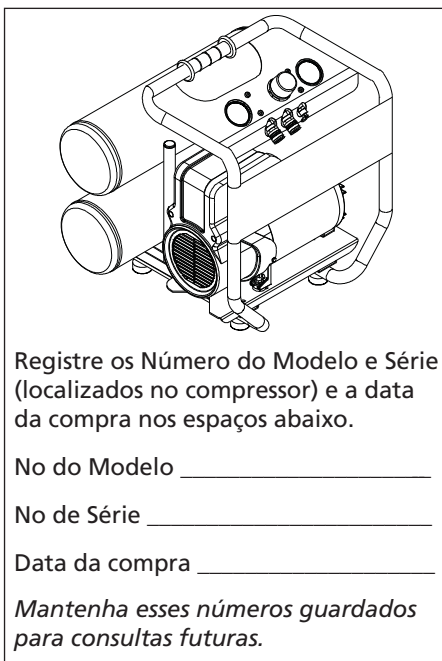
Após desembalar a unidade, inspecione cuidadosamente por qualquer dano que possa ter ocorrido durante o transporte. Assegure de apertar acessórios, parafusos, etc, antes de colocar a unidade em funcionamento. Em caso de dúvidas, defeito ou ausência de peças, por favor, ligue para o Centro de Serviço Autorizado Maxus mais próximo.

Tenha em mãos o número de série, número do modelo e lista de peças (contendo as peças ausentes assinaladas antes de ligar).



NÃO DEVOLVA O PRODUTO À LOJA!

▲ AVISO Não opere o compressor que tenha sido danificado durante o envio, manuseio ou utilização. O dano pode ocasionar explosão e causar ferimentos ou danos à propriedade.



PROPOSIÇÃO 65 DA CALIFÓRNIA

▲ PERIGO As atividades de cortar, lixar, furar ou triturar materiais como madeira, tinta, metal, concreto, cimento ou outro tipo de alvenaria geram pó. Esse pó frequentemente contém substâncias químicas conhecidas por causarem câncer, defeitos congênitos ou outras lesões ao sistema reprodutor. Use equipamentos de proteção.



▲ AVISO Esse produto ou o seu cabo de alimentação contém chumbo, um produto químico conhecido no Estado da Califórnia por causar câncer e defeitos congênitos ou outras lesões ao sistema reprodutor. Lave as mãos após o manuseio.

▲ PERIGO

Advertência sobre Ar Respirável

Este compressor /bomba não está equipado e não deve ser usado para suprimento de ar com qualidade respirável. Antes de utilizá-lo para esse fim, deverá ser instalado no compressor um sistema de segurança e alarme incorporado à linha. Este equipamento suplementar é necessário para uma filtragem e purificação adequada do ar para atender às especificações mínimas do Grau D de ar respirável, descrito na especificação G 7.1 – 1996 da Associação de Ar Comprimido. Também deverá atender ao artigo 29 CFR 1910.134 da organização norte-americana OSHA e/ou Associação Canadense de Normas (Canadian Standards Association - CSA).

DESOBRIGAÇÃO DE GARANTIAS NO CASO DO COMPRESSOR SER USADO PARA FORNECER AR RESPIRÁVEL SEM A INSTALAÇÃO NA LINHA DE AR DO EQUIPAMENTO DE SEGURANÇA E ALARME, TODAS AS GARANTIAS SE ANULAM E O FABRICANTE NÃO SE RESPONSABILIZA POR DANOS, FERIMENTOS OU LESÕES PESSOAIS.

Informações Gerais de Segurança

SEGURANÇA DURANTE A OPERAÇÃO

Como o compressor e outros componentes (bomba de material, pistolas pulverizadoras, filtros, lubrificadores, mangueiras, etc) usados fazem parte de um sistema de bombeamento de alta pressão, as seguintes precauções de segurança devem ser observadas durante todo o tempo:

LEMBRETE: Guarde o seu comprovante de compra datado para fins de garantia do produto! Anexe-o junto desse manual ou arquivo para melhor proteção.

Informações Gerais de Segurança (Continua)

1. Leia cuidadosamente os manuais incluídos com este produto. Familiarize-se com os controles e uso correto do equipamento.



2. Siga todas as recomendações de segurança do trabalho e eletricidade estabelecidas em seu país, como por exemplo as normas NEC (National Electrical Codes) e OSHA (Occupational Safety and Health Act) dos EUA.

3. O compressor deve ser operado somente por pessoas com conhecimento dessas recomendações de segurança.

4. Mantenha os visitantes à distância e NUNCA permita a presença de crianças na área de trabalho.

5. Use óculos de segurança e protetor auricular enquanto estiver operando a bomba ou a unidade.



6. Não pise sobre o compressor ou o utilize como apoio de mão.

7. Antes de cada uso, faça uma inspeção do sistema de ar comprimido e dos componentes elétricos verificando se existem danos, deterioração, desgaste ou vazamentos. Conserte ou substitua as peças defeituosas antes de usar o equipamento.

8. Verifique todas as conexões frequentemente para apertá-las quando necessário.

AVISO Motores, equipamentos elétricos e controles podem gerar arcos elétricos capazes de ocasionar ignição de gases ou vapores inflamáveis. Nunca opere ou faça reparos em locais próximos de gases ou vapores inflamáveis. Nunca armazene líquidos ou gases inflamáveis nas proximidades do compressor.



ACUIDADO Algumas partes do compressor podem estar quentes mesmo quando este estiver desligado.



9. Mantenha os dedos longe do compressor em operação; peças móveis ou partes quentes poderão causar queimaduras e/ou lesões.

10. Se o equipamento apresentar vibração fora do normal, PARE o motor e verifique imediatamente a causa. A vibração geralmente é um aviso de que algo não está correto.

11. Para reduzir o risco de incêndio, mantenha a parte exterior do motor limpa e sem óleo, solvente ou excesso de graxa.

AVISO Nunca remova ou tente ajustar a válvula de segurança. Mantenha a válvula de segurança livre de tinta ou acúmulo de sujeira.

PERIGO Nunca tente fazer conserto ou modificação no tanque! Soldas, perfurações ou outras modificações diminuem a resistência do tanque podendo causar ruptura ou explosão do tanque. Os tanques danificados ou gastos devem ser sempre substituídos.



NOTA Drene o líquido do tanque diariamente.

12. Os tanques enferrujam com o acúmulo de umidade e isso diminui a resistência do tanque. Faça a drenagem do tanque diariamente e faça inspeções periódicas procurando por ferrugem ou pontos de corrosão.

13. O ar em rápido movimento levanta o pó e resíduos que podem ser prejudiciais. Libere o ar lentamente enquanto estiver drenando a umidade ou despressurizando o sistema do compressor.

PRECAUÇÕES DURANTE A PULVERIZAÇÃO

AVISO Não pulverize materiais inflamáveis nas proximidades de uma chama ou próximo de dispositivos de ignição incluindo-se a unidade do compressor.



14. Não fume durante a pulverização de tintas, inseticidas ou outras substâncias inflamáveis.

15. Use uma máscara facial / respirador enquanto estiver pulverizando e utilize o pulverizador numa área ventilada para prevenir danos à saúde e perigo de incêndio.



16. Não pulverize tinta ou outro material diretamente sobre o compressor. Coloque o compressor num local que seja afastado da área de trabalho para minimizar o acúmulo de resíduos sobre o compressor.

17. Quando for pulverizar ou realizar limpeza com solventes ou substâncias tóxicas, siga as instruções fornecidas pelo fabricante destas substâncias.

Instalação

LOCALIZAÇÃO

O tanque deve estar nivelado ou um pouco inclinado para o lado da válvula de drenagem de modo que se possa drenar todo o tanque de maneira apropriada.

É extremamente importante instalar o compressor numa área limpa, bem ventilada e com temperatura ambiente inferior a 40° C (104° F).

É necessário um espaço mínimo de 0,1 metro (4 polegadas) entre o compressor e a parede para que nenhum objeto obstrua o fluxo de ar.

ACUIDADO Não instale a entrada de ar do compressor próximo de áreas com vapor, tinta, jato de areia ou qualquer fonte de contaminação. Os resíduos podem causar danos ao motor.

INSTALAÇÃO ELÉTRICA

AVISO Toda a fiação e conexões elétricas deverão ser feitas por um electricista. A instalação deve estar de acordo com as normas nacionais de instalações elétricas.

INSTRUÇÕES DE ATERRAMENTO

1. Este produto foi projetado para uso com tensão de 240 volts e possui um conector com aterramento como mostrado na figura 1. Certifique-se de que o compressor esteja conectado a uma saída com a mesma configuração do conector. Este produto deve ser aterrado. Em caso de curto circuito, o aterramento reduz o risco de choque elétrico por oferecer um cabo elétrico para desvio da corrente. Este produto está equipado com um cabo contendo um fio de aterramento com seu respectivo conector apropriado. Este fio deverá ser conectado a uma tomada que esteja corretamente instalada e aterrada de acordo com todas as normas e códigos locais.

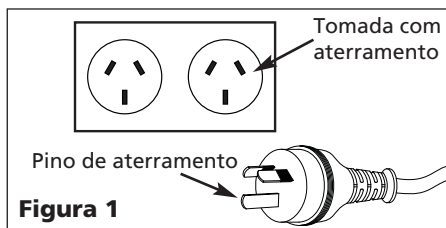


Figura 1

Instalação (Cont.)

⚠ PERIGO O uso incorreto do conector com aterramento pode causar o possível risco de choque elétrico!



⚠ PERIGO Não utilize um adaptador de aterramento com este produto.

2. Caso seja necessário o reparo ou a substituição do fio ou do conector, não conecte o fio de aterramento a um nenhum dos terminais planos. O fio com isolamento na cor verde (com ou sem listras amarelas) é o fio de aterramento.

⚠ AVISO Nunca conecte o fio verde (ou verde e amarelo) a um terminal de tensão.

3. Consulte um electricista caso não tenha compreendido bem as instruções ou se tiver dúvidas se o equipamento está aterrado corretamente. Não modifique o conector fornecido; se não conseguir adaptá-lo à tomada, chame um electricista e providencie a instalação de uma tomada apropriada.

INSTALAÇÃO ELÉTRICA

1. As normas de instalações elétricas são diferentes para cada região. A fiação, conectores e proteções devem ser selecionados de acordo com as especificações de amperagem e voltagem indicadas na placa do motor atendendo às especificações mínimas.
2. Use um fusível de ação lenta ou um disjuntor.

Espessura Mínima da Extensão

7,5 m	15 m	30 m
14	12	10

A utilização de uma extensão pode ocasionar o sobreaquecimento do motor. Isto, por sua vez, pode desarmar um disjuntor (no painel elétrico) ou pode causar sobrecarga térmica (no motor do compressor). Se isto ocorrer, elimine a extensão e ligue o compressor diretamente na tomada. Evite usar extensões. Em vez disso, utilize mangueira(s) de ar de maior comprimento.

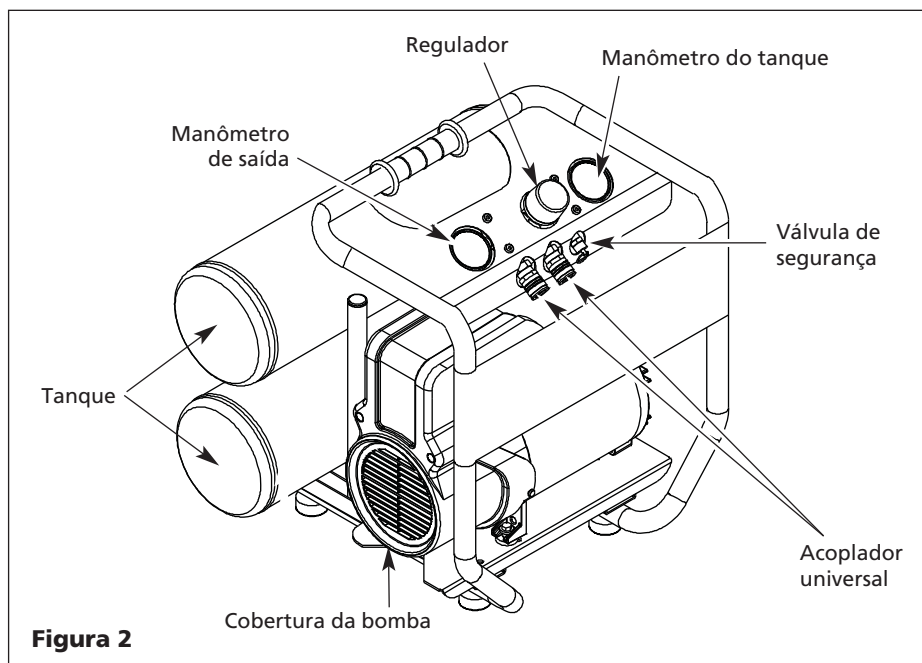


Figura 2

Glossário de termos

Pressostato - Interruptor Auto/Desligado – Na posição **AUTO** o compressor desliga automaticamente quando a pressão no tanque atinge o valor máximo pré-estabelecido. Na posição **DESLIGADO**, o compressor não opera. O interruptor deve estar na posição **DESLIGADO** quando for conectar ou desconectar o equipamento da tomada ou durante a troca das ferramentas pneumáticas.

Regulador - O regulador controla a pressão do ar liberado na mangueira.

Válvula de segurança ASME - Esta válvula libera o ar automaticamente se a pressão no tanque ultrapassar o valor máximo pré-estabelecido.

Tubo de descarga - Este tubo transporta o ar comprimido desde a bomba até a válvula de retenção. Este tubo se aquece muito durante o uso do compressor. Para evitar queimadura, nunca toque o tubo de descarga.

Válvula de retenção – Válvula de fluxo unidirecional que somente permite a passagem de ar que entra no tanque e evita o retorno de ar para a bomba do compressor.

Dreno do tanque – Esta válvula se localiza no fundo do tanque. Serve para drenar a umidade condensada no tanque diariamente, reduzindo o risco de corrosão.

Reduza a pressão no tanque abaixo de 0,69 bar puxando a válvula de segurança e a seguir drene a umidade do tanque. Faça a drenagem diariamente para evitar corrosão do tanque.

LUBRIFICAÇÃO

Este é um compressor sem óleo e **não** necessita de lubrificação para operar.

UMIDADE NO AR COMPRIMIDO

A umidade no ar comprimido forma gotículas de água que saem com o ar da bomba do compressor. Quando a umidade é alta ou quando o compressor está em uso contínuo por longos períodos, a umidade é coletada no tanque. Ao utilizar um pulverizador de tinta, a água será transportada desde o tanque até a mangueira e sai através da pistola de pintura como gotículas misturadas ao material pulverizado.

IMPORTANTE: Esta condensação causará manchas na superfície pintada, especialmente quando se utilizam tintas que não sejam à base de água. Um filtro na linha de ar (MP3105), localizado o mais próximo possível da pistola ajuda a eliminar esta umidade.

Operação

VÁLVULA DE SEGURANÇA ASME

⚠ AVISO Não remova ou tente ajustar a válvula de segurança.

Esta válvula às vezes deve ser inspecionada sob pressão puxando-se o anel com a mão. Se ocorrer vazamento de ar após ter soltado o anel, ou a válvula estiver emperrada e não puder ser utilizada com o anel, então ela deverá ser substituída.

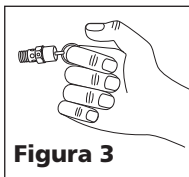


Figura 3

BOTÃO DO REGULADOR

1. Este botão controla a pressão do ar para uma ferramenta pneumática ou pistola de pulverização.
2. Gire o botão no sentido horário para aumentar a pressão de ar na saída.
3. Gire o botão no sentido anti-horário para diminuir a pressão do ar na saída.
4. Gire completamente o botão no sentido anti-horário para cessar completamente o fluxo de ar.

MANÔMETRO DA SAÍDA

1. Este manômetro permite verificar a pressão de saída. A pressão é medida em bar [1 bar equivale a 14.5 libras/polegada² (psi)].
2. Certifique-se de que o manômetro esteja no ZERO antes de trocar as ferramentas pneumáticas ou desconectar a mangueira.

MANÔMETRO DO TANQUE

Este manômetro mostra a pressão no tanque e indica se o compressor mantém a pressão do sistema.

Manutenção

⚠ AVISO Desligue a energia elétrica e então libere toda a pressão do sistema antes de fazer alguma instalação, reparo, movimentação ou qualquer outra manutenção.



O compressor deve ser inspecionado regularmente para verificar se existem problemas visíveis. Os seguintes procedimentos de manutenção devem ser realizados a cada uso do compressor.

1. Puxe o anel da válvula de segurança e deixe voltar para a posição normal.

⚠ AVISO

A válvula de segurança deve ser substituída se ela não puder ser utilizada ou se ocorrer vazamento de ar após o anel ser solto.

2. Com o compressor desligado e toda a pressão liberada, drene a umidade do tanque abrindo a válvula de drenagem localizada na parte inferior do tanque (veja figura 4).

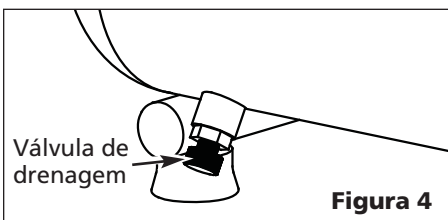


Figura 4

3. Desligue o compressor e limpe a sujeira do motor, do tanque e das linhas de ar. **IMPORTANTE:** O compressor deve estar localizado o mais longe possível da área de trabalho, de acordo com o tamanho da mangueira, para prevenir entupimento do filtro.

PROTETOR TÉRMICO

⚠ CUIDADO Este compressor está equipado com um dispositivo automático de proteção contra sobrecarga térmica, que desliga o motor se o mesmo estiver sobreaquecido.

Se o dispositivo de proteção contra sobrecarga térmica DESLIGAR o motor com frequência, verifique se as seguintes ocorrências estão causando esse desligamento.

1. Baixa voltagem.
2. Fiação com espessura errada ou extensão com comprimento inadequado.
3. Filtro de ar obstruído.
4. Falta de ventilação adequada.

⚠ CUIDADO Deve-se aguardar o resfriamento do motor antes que seja possível dar a partida no mesmo. O motor voltará a funcionar automaticamente sem aviso se for deixado ligado na corrente elétrica, se estiver na posição "ligado".

Após o resfriamento do compressor por 30 minutos, reinicie o protetor térmico manualmente apertando o botão mostrado na figura 5.

ARMAZENAMENTO

1. Quando não estiver em uso, mantenha a mangueira e o compressor em local fresco e seco.
2. Drene a umidade do tanque
3. Desconecte a mangueira e deixe-a pendurada com as extremidades para baixo para permitir o escoamento da água.

Tabela da solução de problemas

Problema	Possíveis causas	Ação corretiva
O compressor não funciona	<ol style="list-style-type: none"> 1. Não há fornecimento de energia elétrica 2. O disjuntor está desarmado 3. Interruptor de pressão defeituoso 4. O motor está sobrecarregado 5. Pressão do tanque acima do valor de corte 	<ol style="list-style-type: none"> 1. O equipamento está ligado na tomada? O interruptor está na posição "ligado"? Verificou o fusível/disjuntor? 2. Rearme, determine a causa do problema 3. Substitua 4. Desligue, espere esfriar, ligue novamente. 5. Faça a sangria da pressão do tanque até atingir o valor de corte.
Fusíveis queimam/disjuntores desarmam seguidamente	<ol style="list-style-type: none"> 1. Fusível fora de especificação, circuito sobrecarregado 2. Utilização de extensão – espessura de fio inadequada e/ou excesso de comprimento. 3. Válvula de retenção com desgaste excessivo 4. Válvula de descarga (no interruptor de pressão) defeituosa 5. Capacitor(es) do motor defeituoso(s) 6. Motor defeituoso 	<ol style="list-style-type: none"> 1. Verifique se o fusível correto está sendo usado, utilize fusível de efeito retardado. Desligue outros dispositivos elétricos do circuito ou opere o compressor no seu próprio circuito de derivação 2. Remova a extensão ou consulte a Tabela de Extensões na pág. 15 3. Substitua a válvula de retenção <p>⚠ PERIGO Não desmonte a válvula de retenção com ar no tanque; faça a sangria do tanque</p> <ol style="list-style-type: none"> 4. Substitua a válvula de descarga. 5. Substitua o(s) capacitor(es) 6. Substitua o motor
Ocorre uma queda na pressão do tanque quando o compressor é desligado	<ol style="list-style-type: none"> 1. Ferragens soltas (conexões, tubulações, etc.) 2. Válvula de drenagem do tanque aberta 	<ol style="list-style-type: none"> 1. Verifique todas as conexões com água e sabão. Aperte; ou remova e aplique veda-juntas ou fita de vedação em todas as rosca, e em seguida remonte. 2. Feche a válvula de drenagem do tanque
Saída de ar abaixo do normal/baixa pressão de descarga	<ol style="list-style-type: none"> 1. Uso excessivo de ar 2. Filtro de entrada obstruído 3. Válvula de drenagem de tanque aberta 4. Vazamentos de ar na tubulação (na máquina ou no sistema externo) 5. Anel do pistão desgastado 6. Válvula quebrada (na bomba) 	<ol style="list-style-type: none"> 1. Diminua a utilização de ar; a capacidade do compressor é insuficiente para os requisitos de ar 2. Limpe ou substitua o filtro 3. Feche a válvula de drenagem do tanque 4. Verifique todas as conexões com água e sabão. Aperte; ou remova e aplique veda-juntas ou fita veda-rosca nas rosca. Em seguida remonte. 5. Substitua o pistão e o cilindro. 6. Substitua a válvula
Excesso de umidade no ar de descarga	<ol style="list-style-type: none"> 1. Excesso de água no tanque 2. Índices elevados de umidade 	<ol style="list-style-type: none"> 1. Drene o tanque 2. Leve o equipamento para uma área com índices de umidade reduzidos; utilize filtro de linha de ar
O compressor funciona continuamente	<ol style="list-style-type: none"> 1. Interruptor de pressão defeituoso 2. Uso excessivo de ar 	<ol style="list-style-type: none"> 1. Substitua o interruptor 2. Diminua a utilização de ar; a capacidade do compressor é insuficiente para os requisitos de ar
O motor faz ruído, mas não funciona ou funciona lentamente	<ol style="list-style-type: none"> 1. Circuito sobrecarregado 2. Utilização de extensão – fio fora de especificação (espessura insuficiente) e/ou comprimento excessivo. 3. Conexões elétricas soltas 4. Válvula de retenção excessivamente desgastada 5. Válvula de descarga (no interruptor de pressão) defeituosa 6. Capacitor(es) do motor defeituoso(s) 7. Motor defeituoso 	<ol style="list-style-type: none"> 1. Desligue outros dispositivos elétricos do circuito ou opere o compressor no seu próprio circuito de derivação 2. Remova a extensão ou consulte a Tabela de Extensões na pág. 15 3. Verifique todas as conexões elétricas 4. Substitua a válvula de retenção <p>⚠ PERIGO Não desmonte a válvula de retenção com ar no tanque; faça a sangria do tanque</p> <ol style="list-style-type: none"> 5. Substitua a válvula de descarga. 6. Substitua o(s) capacitor(es) 7. Substitua o motor
O dispositivo de proteção contra sobrecarga térmica tem o seu funcionamento interrompido seguidamente	<ol style="list-style-type: none"> 1. Ventilação inadequada/temperatura ambiente excessiva 2. Filtro de entrada obstruído 3. Circuito sobrecarregado 4. Utilização de extensão – fio fora de especificação (espessura insuficiente) e/ou comprimento excessivo. 5. Válvula de retenção excessivamente desgastada 6. Válvula de descarga (no interruptor de pressão) defeituosa 7. Motor defeituoso 	<ol style="list-style-type: none"> 1. Leve o compressor para uma área bem ventilada 2. Limpe ou substitua o filtro 3. Verifique se o fusível correto está sendo usado, utilize fusível de efeito retardado. Desligue outros dispositivos elétricos do circuito ou opere o compressor no seu próprio circuito de derivação 4. Remova a extensão ou consulte a Tabela de Extensões na pág. 15 5. Substitua a válvula de retenção <p>⚠ PERIGO Não desmonte a válvula de retenção com ar no tanque; faça a sangria do tanque</p> <ol style="list-style-type: none"> 6. Substitua a válvula de descarga. 7. Substitua o motor

Garantia Limitada

1. **DURAÇÃO:** A partir da data da compra pelo comprador original tal como especificado a seguir: três anos ou cinco anos, dependendo do modelo.
2. **QUEM FORNECE ESTA GARANTIA (GARANTIDOR):**
Maxus, 100 Production Drive, Harrison, Ohio, 45030
3. **QUEM RECEBE ESTA GARANTIA (COMPRADOR):** O comprador original (que não seja o revendedor) do produto Maxus.
4. **QUAIS PRODUTOS SÃO COBERTOS POR ESTA GARANTIA:** Quaisquer compressores de ar Maxus, ferramentas pneumáticas ou acessórios pneumáticos suplementares fornecidos ou fabricados pelo GARANTIDOR.
5. **O QUE ESTÁ COBERTO POR ESTA GARANTIA:** Defeitos de material e fabricação que ocorram no período de validade desta garantia.
6. **O QUE NÃO ESTÁ COBERTO POR ESTA GARANTIA:**
 - A. Garantias implícitas, incluindo as de comerciabilidade e ADEQUAÇÃO PARA UM OBJETIVO ESPECÍFICO SÃO LIMITADAS A PARTIR DA DATA DA COMPRA ORIGINAL, CONFORME ESTABELECIDO NO ITEM DURAÇÃO ACIMA. Se este produto for usado para fins comerciais, industriais ou para aluguel, a garantia terá a duração de noventa (90) dias a partir da data de compra. A garantia para os compressores de ar de quatro cilindros com um ou dois estágios não está limitada aos noventa dias (90) se usados em trabalhos comerciais ou industriais. Alguns estados não permitem limites referentes ao prazo de duração da garantia implícita, de forma que os limites acima podem não se aplicar ao seu caso.
 - B. QUALQUER PERDA, DANO OU DESPESA INCIDENTAIS, INDIRETOS OU RESULTANTES QUE POSSAM RESULTAR DE QUALQUER DEFEITO, FALHA OU MAU FUNCIONAMENTO DO PRODUTO. Alguns estados não permitem a exclusão ou limite de danos acidentais ou resultantes, de maneira que o limite ou exclusão acima pode não se aplicar ao seu caso.
 - C. Qualquer falha resultante de acidente, abuso por parte do comprador, negligência ou da não operação do produto de acordo com as instruções no(s) manual(ais) do proprietário que acompanha(m) este produto
 - D. Serviço de pré-entrega, por exemplo montagem, óleos ou lubrificantes, e ajustes.
 - E. Ajustes normais que são explicados no(s) manual(ais) do proprietário fornecido com o produto, incluindo mas não se limitando a correias e pressostatos.
 - F. Itens ou serviços normalmente exigidos para manter o produto, isto é, lubrificantes, filtros e vedações.
 - G. Motores a gasolina e seus componentes são expressamente excluídos da cobertura desta garantia limitada. O comprador deve obedecer à garantia dada pelo fabricante do motor que foi fornecida com o produto.
 - H. Itens adicionais não cobertos por esta garantia:
 1. Todos os compressores
 - a. Qualquer componente danificado durante o envio ou falha causada por instalação ou operação do compressor sob condições em desacordo com as recomendações de operação e instalação.
 - b. Falha da bomba ou da válvula causada por chuva, excesso de umidade ou ambientes corrosivos.
 - c. Defeitos na aparência que não interferem na função do produto..
 - d. Tanques enferrujados, incluindo-se mas não se limitando à ferrugem causada por drenagem imprópria.
 - e. Motores elétricos e válvulas de retenção após o primeiro ano de propriedade.
 - f. Registros de dreno.
 - g. Dano causado por instalação elétrica inadequada.
 - h. Outros itens não listados mas considerados como peças de desgaste geral.
 2. Compressores lubrificados
 - a. Danos à bomba ou válvulas causados pelo uso de óleos não especificados.
 - b. Danos à bomba ou válvulas causados pelo uso de óleos contaminados ou por falha em não haver seguido as instruções de manutenção corretamente.
 3. Compressores com correia/ acionamento direto/ motores a gasolina
 - a. Correias.
 - b. Desgaste dos anéis devido à manutenção inadequada dos filtros.
 - c. Ajustes manuais dos instrumentos de carga/descarga e válvula de estrangulamento.
7. **RESPONSABILIDADES DO GARANTIDOR SEGUNDO ESTA GARANTIA:** Reparo ou substituição, sendo decidido pelo Garantidor, dos produtos ou componentes com defeito que tiveram mau funcionamento ou falharam durante o período de garantia.
8. **RESPONSABILIDADES DO COMPRADOR SEGUNDO ESTA GARANTIA:**
 - A. Providenciar registros de manutenção ao fazer reclamações segundo esta garantia.
 - B. Os produtos portáteis ou componentes devem ser entregues ou enviados para o Centro de Serviço Autorizado Maxus mais próximo. Custo de frete, se houver, deve ser pago pelo comprador.
 - C. Tomar cuidado ao utilizar o produto, tal como indicado no(s) manual(ais) do proprietário.
9. **QUANDO O GARANTIDOR IRÁ REALIZAR O CONSERTO OU SUBSTITUIÇÃO COBERTO POR ESTA GARANTIA:**
 - A. O conserto ou substituição será agendado e realizado de acordo com a escala de trabalho normal do serviço autorizado e dependendo ainda da disponibilidade das peças de reposição.
 - B. Se o comprador não receber resultados satisfatórios do Centro de Serviço autorizado, o comprador poderá entrar em contato com o Departamento de Produtos e Serviços Maxus (veja o parágrafo 2).

A garantia limitada aplica-se somente nos E.U.A. e Canadá e outorga direitos legais específicos. Você também poderá ter outros direitos que variam de um estado para outro do país.

Sírvase leer y guardar estas instrucciones. Lea con cuidado antes de tratar de armar, instalar, manejar o darle servicio al producto descrito en este manual. Protéjase Ud. y a los demás observando todas las reglas de seguridad. El no seguir las instrucciones podría resultar en heridas y/o daños a su propiedad. Guarde este manual como referencia.

Compresores Sin Aceite

Descripción

Los compresores sin aceite están diseñados para una variedad de aplicaciones domésticas. Estos compresores pueden accionar pequeñas herramientas neumáticas, pero son ideales para clavadoras de puntillas, clavadoras para acabados y agrapadoras. **Estas unidades funcionan sin aceite.**

Medidas de Seguridad

Este manual contiene información que es muy importante que sepa y comprenda. Esta información se la suministramos como medida de SEGURIDAD y para EVITAR PROBLEMAS CON EL EQUIPO. Debe reconocer los siguientes símbolos.

▲ PELIGRO Esto le indica que hay una situación inmediata que LE OCASIONARIA la muerte o heridas de gravedad.

▲ ADVERTENCIA Esto le indica que hay una situación que PODRIA ocasionarle la muerte o heridas de gravedad.

▲ PRECAUCION Esto le indica que hay una situación que PODRIA ocasionarle heridas no muy graves.

AVISO Esto le indica una información importante, que de no seguirla, le podría ocasionar daños al equipo.

Para Desempacar

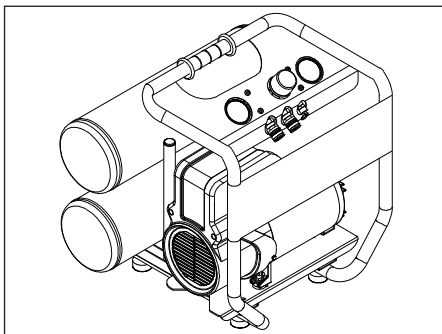
Cuando desempaque la unidad, inspecciónela cuidadosamente para verificar si se han producido daños durante el transporte. Asegúrese de apretar todos los accesorios, pernos, etc. que estén sueltos antes de poner la unidad en servicio. Por preguntas, piezas dañadas o faltantes, llame por favor al más cercano Centro de servicio autorizado de Maxus.

Se incluye una lista de los lugares en donde se encuentran los centros de servicio. Tenga a mano el número de serie, el número del modelo y la lista de partes (con las partes que faltan marcadas con un círculo) antes de llamar.



¡NO DEVUELVA EL PRODUCTO AL MINORISTA!

▲ ADVERTENCIA No debe utilizar la unidad si se ha dañado durante el envío, manejo o uso. Los daños podrían ocasionar una explosión y ocasionarle heridas o daños a su propiedad.



Escriba los números del modelo y serie (ubicados en el compresor) y la fecha de compra en los espacios suministrados continuación.

No. del Modelo _____

No. de Serie _____

Fecha de Compra _____

Guarde estos números para referencia en el futuro.

PROPOSICIÓN DE CALIFORNIA 65

▲ PELIGRO Cuando corta lija, taladra o pule materiales como por ejemplo madera, pintura, metal, hormigón, cemento, u otro tipo de mampostería se puede producir polvo. Con frecuencia este polvo contiene productos químicos que se conocen como causantes de cáncer, defectos congénitos u otros daños reproductivos. Use equipo de protección.



▲ ADVERTENCIA Este producto o su cable de corriente contienen plomo, un químico que es conocido por el Estado de California como causante de cáncer y defectos de nacimiento u otros daños reproductivos. Lávese las manos después de manipularlo

▲ PELIGRO

Advertencia sobre el aire respirable

Este compresor/cabezal no viene listo de fábrica para suministrarle aire respirable. Antes de utilizarlos con este fin, deberá instalarle un sistema de seguridad y alarma incorporado a la línea. Este sistema adicional es necesario para filtrar y purificar el aire adecuadamente, para cumplir con las especificaciones mínimas sobre aire respirable de Grado D descritas en la Especificación de Productos G 7.1 - 1966 de la Asociación de Aire Compri-mido. Igualmente, deberá cumplir los requisitos establecidos por el Artículo 29 CFR 1910. 134 de la Organización norteamericana OSHA y/o la Canadian Standards Associations (CSA).

RENUNCIA A LAS GARANTIAS SI EL COMPRESOR SE UTILIZA PARA PRODUCIR AIRE RESPIRABLE SIN HABERLE INSTALADO EL SISTEMA DE SEGURIDAD Y ALARMA, TODAS LA GARANTÍAS SE ANULARÁN Y EL FABRICANTE NO ASUMIRÁ NINGUNA RESPONSABILIDAD POR PÉRDIDAS, HERIDAS PERSONALES O DAÑOS.

Informaciones Generales de Seguridad

PARA EL FUNCIONAMIENTO SEGURO

Como el compresor de aire y otros componentes usados (cabezales, pistolas pulverizadoras, filtros, lubricadores, mangueras, etc.), forman parte de un sistema de bombeo de alta presión, deberá seguir las siguientes medidas de seguridad todo el tiempo:

RECORDATORIO: ¡Guarde su comprobante de compra con fecha para fines de la garantía! Adjúntela a este manual o archívela en lugar seguro.

Informaciones Generales de Seguridad (Continuación)

1. Lea con cuidado todos los manuales incluidos con este producto. Familiarícese con los controles y el uso adecuado del equipo.



2. Siga todos los códigos de seguridad laboral y electricidad establecidos en su país, por ejemplo los de la NEC y OSHA en EUA.

3. Este compresor sólo debe ser usado por personas que estén bien familiarizadas con las reglas de seguridad y de manejo.

4. Mantenga a los visitantes alejados y NUNCA permita la presencia de niños en el área de trabajo.

5. Siempre use anteojos de seguridad y protéjase los oídos para operar el cabezal o el compresor.



6. No se encaramo sobre el cabezal, ni lo use para sostenerse.

7. Antes de cada uso, inspeccione el sistema de aire comprimido y los componentes eléctricos, para ver si están dañados, deteriorados, desgastados o tienen fugas. Repare o reemplace las piezas dañadas antes de usar el equipo.

8. Chequee todas las conexiones frecuentemente para cerciorarse de que estén bien apretadas.

ADVERTENCIA Los motores, equipos eléctricos y controles pueden ocasionar arcos eléctricos que encenderían gases o vapores inflamables. Nunca opere o repare el compresor cerca de gases o vapores inflamables. Nunca almacene líquidos o gases inflamables cerca del compresor.



PRECAUCION Las piezas del compresor podrían estar calientes, inclusive cuando la unidad esté apagada.



9. Mantenga los dedos alejados del compresor cuando esté funcionando; las piezas en movimiento o calientes, le ocasionarían heridas y/o quemaduras.

10. Si el equipo comienza a vibrar excesivamente, APAGUE el motor y chequéelo inmediatamente para determinar la razón. Generalmente, la vibración excesiva se debe a una falla.

11. Para reducir el peligro de incendio, mantenga el exterior del motor libre de aceite, solventes o exceso de grasa.

ADVERTENCIA Nunca debe desconectar o tratar de ajustar las válvulas de seguridad. Igualmente, debe evitar que se le acumule pintura u otros materiales.

PELIGRO ¡Nunca trate de reparar o modificar el tanque! Si lo suelda, taladra o modifica de cualquier otra manera, el tanque se debilitará y se podría dañar, romperse o explotar. Siempre reemplace los tanques desgastados, rotos o dañados.



AVISO Drene el tanque diariamente.

12. Los tanques se oxidan debido a la acumulación de humedad y esto debilita el tanque. Asegúrese de drenar el tanque a diario e inspeccionar periódicamente en busca de condiciones inseguras, como pueden ser formación de óxido y corrosión.

13. La circulación rápida de aire podría levantar polvo y desperdicios dañinos. Siempre libere el aire lentamente para drenar el tanque o liberar la presión del sistema.

PRECAUCIONES PARA ROCIAR

ADVERTENCIA Nunca rocíe materiales inflamables cerca de llamas al descubierto o fuentes de ignición incluyendo el compresor.



14. No fume mientras esté rociando pintura, insecticidas u otras sustancias inflamables.

15. Use una máscara/respirador cuando vaya a rociar y siempre rocíe en un área bien ventilada para evitar peligros de salud e incendios.



16. Nunca rocíe la pintura y otros materiales, directamente hacia el compresor. Coloque el compresor lo más lejos posible del área de trabajo, para minimizar la acumulación de residuos en el compresor.

17. Al rociar o limpiar con solventes o químicos tóxicos, siga las instrucciones del fabricante de dichos químicos.

Instalación

UBICACION

El tanque debe estar nivelado o un poco inclinado hacia el lado donde está la llave de drenaje de modo que pueda drenarlo adecuadamente.

Es sumamente importante que instale el compresor en un lugar limpio y bien ventilado donde la temperatura ambiental no sea mayor de 40° C (104°F). Se requiere un espacio libre mínimo de 10,16 cm (4 in.) entre el compresor y la pared, para que ningún objeto obstruya el flujo de aire.

PRECAUCION No coloque la entrada de aire del compresor cerca de áreas con vapor, vapores de pintura, chorros de arena o cualquier otra fuente de contaminación. Los desperdicios dañarán el motor.

INSTALACIÓN ELÉCTRICA

ADVERTENCIA Todas las conexiones eléctricas y el alambro deberán ser llevados a cabo por un electricista profesional. La instalación debe estar conforme con los códigos locales y los códigos nacionales sobre electricidad.

CONEXION A TIERRA

1. Este producto está diseñado para circuitos nominales de 240 voltios y tiene un enchufe para conexión a tierra similar al de la Figura 1. Cerciórese de conectarlo a un tomacorrientes cuya configuración sea similar a la del enchufe. Este producto se debe conectar a tierra. En caso de que ocurra un cortocircuito, esto evitaría el riesgo de choque eléctrico al ofrecerle un cable de desvío a la corriente eléctrica. Este producto tiene un cordón con un alambre y terminal de conexión a tierra. El cordón debe conectarse a un tomacorriente que esté instalado adecuadamente y conectado a tierra según los códigos y ordenanzas locales.

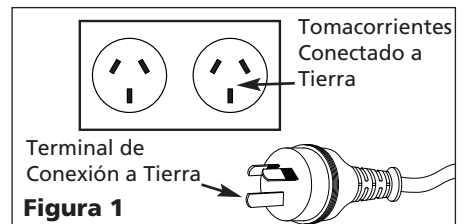


Figura 1

Instalación (Continuación)

⚠ PELIGRO

El uso inadecuado del enchufe con conexión a tierra podría ocasionarle choques eléctricos.



⚠ PELIGRO

No use un adaptador para conexión a tierra con este producto.

2. Si necesita reparar o reemplazar el cordón o el enchufe, no conecte el cable de conexión a tierra a ninguno de los terminales planos. El alambre cuya superficie externa del aislante es verde, con o sin rayas amarillas, es el cable de conexión a tierra.

⚠ ADVERTENCIA

Nunca conecte los cables verdes o verde con rayas amarillas, a un terminal con tensión.

3. Consúltelo a un electricista calificado o a un técnico de reparación, en caso de que no comprenda bien las instrucciones o si tiene dudas de que esté conectado a tierra adecuadamente. No modifique el enchufe, si éste no entra en el tomacorrientes, mande a instalar un tomacorrientes adecuado con un electricista calificado.

ALAMBRADO

- Los códigos eléctricos varían de un área a otra. Sin embargo, el alambrado, enchufe y protectores se deben seleccionar según las especificaciones de amperaje y voltaje indicados en la placa del motor y cumplir con las especificaciones mínimas.
- Use fusibles de acción retardada tipo T o un cortacircuito.

Calibre mínimo del cable de extensión

7,5 m	15 m	30 m
14	12	10

El uso de un cable de extensión puede causar un recalentamiento del motor. Eso puede causar que el disyuntor se dispare (en el panel eléctrico) o que se dispare el protector térmico de sobrecarga (en el motor del compresor). Si eso ocurriera, quite el cable de extensión y enchufe el compresor directamente en el tomacorriente eléctrico. Evite el uso de cables de extensión; use más bien manguera(s) de aire más larga(s).

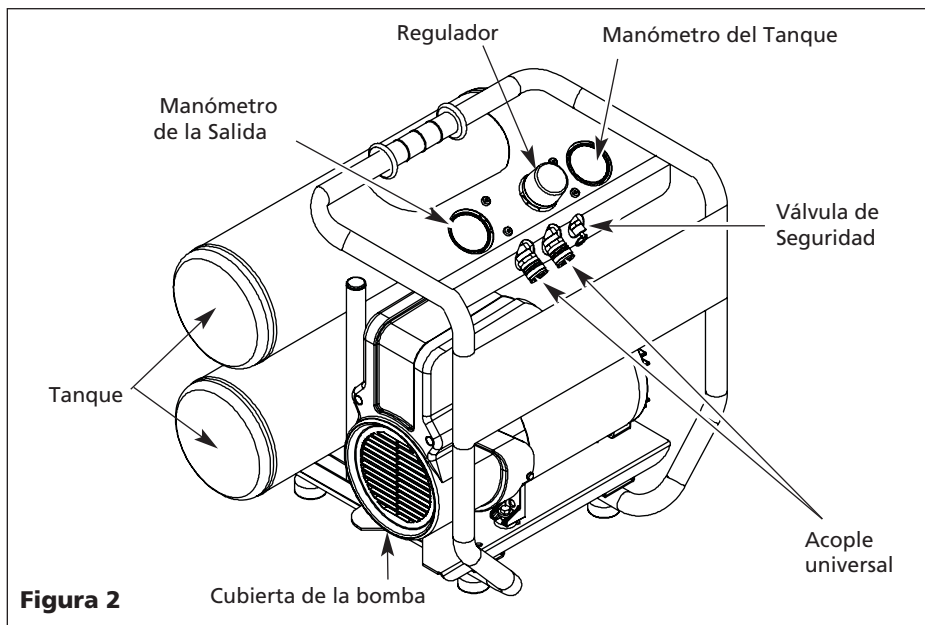


Figura 2

Glosario

Presostato - Automático - En la posición AUTO el compresor se apaga automáticamente cuando la presión del tanque alcanza el nivel máximo fijado en la fábrica. En la posición OFF, el compresor no funcionará. El presostato debe colocarse en OFF para conectar o desconectar el cordón eléctrico del tomacorrientes o para cambiar la herramienta neumática.

Regulador - El regulador controla la cantidad de presión de aire expulsada por la manguera.

Válvula de Seguridad ASME - Esta válvula automáticamente libera el aire si la presión del tanque excede el valor máximo fijado de fábrica.

Tubería de Descarga - Esta tubería transporta el aire comprimido del cabezal a la válvula de chequeo. Esta tubería se calienta excesivamente durante el uso. Para evitar quemaduras graves, nunca la toque.

Válvula de Chequeo - Esta válvula solo permite que el aire entre al tanque y evita que éste se regrese al cabezal.

Drenaje del tanque - Esta válvula está ubicada debajo del tanque. Úsela para drenar la humedad del tanque diariamente, para evitar que el tanque se oxide.

Reduzca la presión en el tanque por debajo de 0,69 bar halando la válvula

de seguridad, luego drene la humedad del tanque. Drene a diario para evitar la corrosión del tanque.

ENGRASE

Este es un aparato sin aceite y **no requiere** engrases para su funcionamiento.

HUMEDAD EN EL AIRE COMPRIMIDO

La humedad que se acumula en el aire comprimido se convierte en gotas a medida que sale del cabezal del compresor de aire. Cuando el nivel de humedad es muy alto o cuando el compresor ha estado en uso continuo por mucho tiempo, ésta se acumulará en el tanque. Al usar una pistola pulverizadora de pintura, la humedad saldrá a través de la manguera mezclada con el material que esté rociando.

IMPORTANTE: Esta condensación ocasionará manchas en la superficie pintada, especialmente cuando esté pulverizando pinturas que no sean a base de agua. Para eliminar este problema, instale un filtro en la línea de aire (MP3105), lo más cerca posible de la pistola.

Funcionamiento

VÁLVULA DE SEGURIDAD ASME

⚠ ADVERTENCIA *Nunca desconecte o trate de ajustar la válvula de seguridad ASME.*

De vez en cuando debe halar el anillo con la mano para chequear esta válvula. Si hay una fuga de aire después de haber soltado el anillo, o si la válvula está atascada y no la puede activar con el anillo, DEBERA reemplazarla.

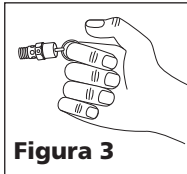


Figura 3

PERILLA DEL REGULADOR

1. Esta perilla controla el aire comprimido que se le suministra a las herramientas neumáticas o pistolas pulverizadoras.
2. Gire la perilla en el mismo sentido de las agujas del reloj para aumentar la presión de aire suministrado.
3. Gire la perilla en sentido contrario al de las agujas del reloj para disminuir la presión de aire suministrado.
4. Gire la perilla completamente en sentido contrario a las agujas del reloj para cerrar el suministro de aire completamente.

MANOMETRO REGULADO DE LA SALIDA

1. Este manómetro le permite verificar la presión de salida muy fácilmente. Esta presión se mide en bar.
2. Cerciórese de que el manómetro esté en ZERO antes de cambiar de herramientas neumáticas o desconectar la manguera.

MANOMETRO DEL TANQUE

Mide la presión del tanque para verificar que el sistema está funcionando adecuadamente.

Mantenimiento

⚠ ADVERTENCIA

Desconecte el cordón eléctrico del tomacorrientes y libere toda la presión del sistema antes de tratar de instalar, darle servicio, cambiar de lugar o darle cualquier tipo de mantenimiento.



Este compresor se debe chequear con frecuencia para ver si tiene algún tipo de problemas y le debe dar el siguiente mantenimiento antes de cada uso.

1. Hále el anillo de la válvula de seguridad y deje que calce en su posición normal.

⚠ ADVERTENCIA

Debe reemplazar la válvula de seguridad si no la puede activar o si hay fugas de aire una vez que haya soltado el anillo.

2. Apague el compresor y libere toda la presión, después: Abra la llave de drenaje, ubicada debajo del tanque, para drenarle toda la humedad (Figura 4).

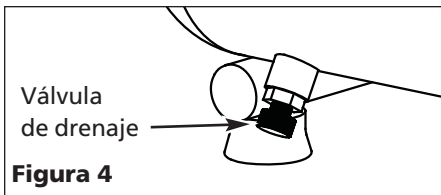


Figura 4

3. Apague el compresor (póngalo en OFF), y limpie el motor, el tanque, y las líneas de aire.

IMPORTANTE: El compresor debe colocarse lo más lejos posible del área de trabajo, según lo permita la longitud de la manguera, para evitar que el filtro se atasque.

PROTECTOR TERMICO

⚠ PRECAUCION *Esta compresora está equipada con un protector de sobrecarga térmica de reposición automática.*

Si el protector térmico apaga al compresor con mucha frecuencia puede ser por lo siguiente:

1. Voltaje bajo.
2. El cordón de extensión es muy corto o del calibre inadecuado.
3. El filtro de aire está atascado.
4. La ventilación es inadecuada.

⚠ PRECAUCION *Para poder arrancar de nuevo el motor, se debe dejar enfriar. El motor se pondrá en marcha de nuevo, sinninguna señal de aviso, si se deja conectado a un tamacorriente y si el motor ya esta enceneito.*

Después de que la unidad se ha enfriado por 30 minutos, reinicie manualmente el protector de sobrecarga térmica presionando el botón que se muestra en la Figura 5.

ALMACENAMIENTO

1. Mientras no lo esté usando debe almacenar el compresor y las mangueras en un sitio seco y frío.
2. Debe drenar el tanque.
3. Debe desconectar las mangueras y colgarlas con los extremos hacia abajo para que se drenen.

Guía de diagnóstico de averías

Problema	Posible(s) Causa(s)	Acción a tomar
El compresor no funciona	<ol style="list-style-type: none"> 1. No hay energía eléctrica 2. Cortacircuito desconectado 3. Presostato dañado 4. El motor ha trabajado excesivamente. 5. La presión del tanque se encuentra por encima del nivel de activación. 	<ol style="list-style-type: none"> 1. ¿Está conectado? ¿Está prendido el interruptor? Chequee el fusible/cortacircuito 2. Conéctelo, determine la causa del problema 3. Reemplácelo 4. Apague, deje enfriar, vuelva a encender. 5. Libere la presión del tanque hasta que baje al nivel de activación.
Los fusibles se queman/cortacircuito se activa con frecuencia	<ol style="list-style-type: none"> 1. Fusible inadecuado, circuito sobrecargado 2. Uso del cable de extensión – calibre inadecuado del cable y/o demasiado largo. 3. Válvula de retención desgastada 4. Válvula de descarga defectuosa (en el interruptor de presión) 5. Condensador(es) del motor defectuoso(s) 6. Motor defectuoso 	<ol style="list-style-type: none"> 1. Cerciórese de que está usando el fusible adecuado, use un fusible de acción retardada. Desconecte los otros artefactos eléctricos del circuito o conecte el compresor a otro circuito. 2. Retire el cable de extensión o consulte la Tabla para el Cable de Extensión, en la página 21 Sp 3. Cambie la válvula de retención 4. Cambie la válvula de descarga. 5. Reemplace el condensador(es). 6. Cambie el motor <p>⚠ PELIGRO Antes de desmantelar la válvula de chequeo purgue el aire del tanque</p>
La presión del tanque baja cuando el compresor se apaga	<ol style="list-style-type: none"> 1. Conexiones flojas (conexiones, tuberías, etc.) 2. Abra la válvula de drenaje del tanque. 	<ol style="list-style-type: none"> 1. Revise todas las conexiones con una solución de agua y jabón. Apriete, o retire y aplique sellador o cintas para roscas, luego vuelva a ensamblar. 2. Cierre la válvula de drenaje del tanque
La salida de aire es inferior a la normal/la presión de salida es baja	<ol style="list-style-type: none"> 1. Consumo excesivo de aire 2. Filtro de entrada obstruido 3. Abra la válvula de drenaje del tanque. 4. Hay fugas de aire en las tuberías (del compresor o del sistema de conexión) 5. Aro del pistón desgastado 6. Válvula dañada (en la bomba) 	<ol style="list-style-type: none"> 1. Disminuya el consumo de aire; el compresor es muy pequeño para suministrar el aire requerido 2. Limpie o reemplace el filtro 3. Cierre la válvula de drenaje del tanque 4. Revise todas las conexiones con una solución de agua y jabón. Apriete, o retire y aplique sellador o cintas para roscas, luego vuelva a ensamblar. 5. Reemplácelo 6. Cambie la válvula
Exceso de humedad en el aire expulsado	<ol style="list-style-type: none"> 1. Exceso de agua en el tanque 2. Humedad alta 	<ol style="list-style-type: none"> 1. Drene el tanque 2. Mueva el compresor a una área menos húmeda; use un filtro de aire incorporado a la línea
El compresor funciona continuamente	<ol style="list-style-type: none"> 1. El presostato está dañado 2. Consumo excesivo de aire 	<ol style="list-style-type: none"> 1. Reemplace el presostato 2. Disminuya el consumo de aire; el compresor es muy pequeño para suministrar el aire requerido
El motor hace ruido pero no funciona o funciona lentamente	<ol style="list-style-type: none"> 1. Sobrecarga del circuito 2. Uso del cable de extensión – calibre inadecuado del cable y/o demasiado largo. 3. Conexiones eléctricas sueltas 4. Válvula de retención desgastada 5. Válvula de descarga defectuosa (en el interruptor de presión) 6. Condensador(es) del motor defectuoso(s) 7. Motor defectuoso 	<ol style="list-style-type: none"> 1. Desconecte los demás accesorios eléctricos del circuito, o haga funcionar el compresor en su propio ramal del circuito. 2. Retire el cable de extensión o consulte la Tabla para el Cable de Extensión, en la página 21 Sp 3. Verifique todas las conexiones eléctricas. 4. Cambie la válvula de retención 5. Cambie la válvula de descarga. 6. Reemplace el condensador(es). 7. Cambie el motor <p>⚠ PELIGRO Antes de desmantelar la válvula de chequeo purgue el aire del tanque</p>
El protector de sobrecarga térmica se activa constantemente	<ol style="list-style-type: none"> 1 Falta de ventilación adecuada/ temperatura ambiente demasiado alta 2. El filtro de entrada está obstruido 3. Circuito sobrecargado 4. Uso del cable de extensión – calibre inadecuado del cable y/o demasiado largo. 5. Válvula de retención desgastada 6. Válvula de descarga defectuosa (en el interruptor de presión) 7. Motor defectuoso 	<ol style="list-style-type: none"> 1. Mueva el compresor a un área bien ventilada. 2. Límpielo o reemplácelo 3. Cerciórese de que está usando el fusible adecuado, use un fusible de acción retardada. Desconecte los otros artefactos eléctricos del circuito o conecte el compresor a otro circuito. 4. Retire el cable de extensión o consulte la Tabla para el Cable de Extensión, en la página 21 Sp 5. Cambie la válvula de retención 6. Cambie la válvula de descarga. 7. Cambie el motor <p>⚠ PELIGRO Antes de desmantelar la válvula de chequeo purgue el aire del tanque</p>

Garantía Limitada

1. DURACION: A partir de la fecha de compra por el comprador original tal como se especifica a continuación: tres años o cinco años, según el modelo.
2. QUIEN OTORGA ESTA GARANTIA (EL GARANTE: Maxus, 100 Production Drive, Harrison, Ohio 45030)
3. BENEFICIARIO DE ESTA GARANTIA (EL COMPRADOR): El comprador original (que no sea un revendedor) del producto Maxus.
4. PRODUCTOS CUBIERTOS POR ESTA GARANTIA: Todos los compresores de aire Maxus, herramientas o accesorios neumáticos suplementarios suministrados o fabricados por el Garante.
5. COBERTURA DE LA GARANTIA: Los defectos de material y fabricación que ocurran dentro del período de validez de la garantía.
6. LO QUE NO ESTA CUBIERTO POR ESTA GARANTIA:
 - A. LAS GARANTIAS IMPLICITAS, INCLUYENDO LAS GARANTIAS DE COMERCIALIDAD Y CONVENIENCIA PARA UN FIN PARTICULAR, TAL COMO SE ESPECIFICA EN EL PARRAFO DE DURACION. Si este producto es empleado para uso comercial, industrial o para renta, la garantía será aplicable por noventa (90) días a partir de la fecha de compra. La garantía para los compresores de aire de cuatro cilindros de una o dos etapas no está limitada a noventa (90) días al usarse en labores comerciales o industriales. En algunos estados no se permiten limitaciones a la duración de las garantías implícitas, por lo tanto, en tal caso esta limitación no es aplicable.
 - B. CUALQUIER PERDIDA DAÑO INCIDENTAL, INDIRECTO O CONSECUENTE QUE PUEDA RESULTAR DE UN DEFECTO, FALLA O MALFUNCIONAMIENTO DEL PRODUCTO. En algunos estados no se permite la exclusión o limitación de daños incidentales o consecuentes, por lo tanto, en tal caso esta limitación o exclusión no es aplicable.
 - C. Cualquier falla que resulte de un accidente, abuso, negligencia o incumplimiento de las instrucciones de funcionamiento y uso indicadas en el (los) manual(es) que se adjunta(n) al producto.
 - D. El servicio al producto antes de la venta, tales como ensamblaje, aceite o lubricantes y ajustes.
 - E. Los artículos o servicio normalmente requeridos para el mantenimiento del producto, tales como pero no limitados a bandas y presostatos.
 - F. Los artículos o servicios normalmente requeridos para el mantenimiento del producto, tales como lubricantes, filtros y empaques.
 - G. Las piezas para motores eléctricos o de gasolina están específicamente excluidos de la cobertura de esta garantía limitada. Éstos deben ser enviados por el comprador al fabricante original o a los centros de servicio autorizados por el fabricante para que se les den servicio.
 - H. Artículos adicionales no cubiertos por esta garantía:
 1. Todos los compresores
 - a. Cualquier componente dañado durante el envío o cualquier daño ocasionado por haber instalado u operado la unidad bajo condiciones contrarias a lo indicado en las instrucciones para instalar u operar la unidad.
 - b. Daños del cabezal o las válvulas ocasionados por la lluvia, humedad excesiva o agentes corrosivos
 - c. Daños de apariencia que no afecten el funcionamiento del compresor.
 - d. Tanques oxidados, incluyendo pero no limitado al óxido debido al drenaje inadecuado.
 - e. Los motores eléctricos y válvulas de chequeo después del primer año de propiedad.
 - f. Llaves de drenaje.
 - g. Capacitadores del motor.
 - h. Otros artículos no enumerados pero considerados piezas de desgaste general.
 2. Compresores lubricados
 - a. Daños del cabezal o las válvulas debidos al uso de aceites no especificados.
 - b. Daños del cabezal o las válvulas debidos a cualquier contaminación del aceite o por no haber seguido las instrucciones de lubricación.
 3. Compresores con bandas/ de accionamiento directo/ motores de gasolina
 - a. Bandas
 - b. Daños de los anillos debido al mantenimiento inadecuado del filtro.
 - c. Ajustes manuales de los instrumentos de carga/descarga y válvula de estrangulación.
7. RESPONSABILIDADES DEL GARANTE BAJO ESTA GARANTIA: Reparar o reemplazar, como lo decida el Garante, los productos o componentes defectuosos dentro del período de validez de la garantía.
8. RESPONSABILIDADES DEL COMPRADOR BAJO ESTA GARANTIA:
 - A. Presente los records de mantenimiento para reclamar sus derechos bajo esta garantía.
 - B. Los productos portátiles o componentes deben entregarse o enviarse al centro de servicio autoirizado de Maxus más cercano.
 - C. Tener cuidado al utilizar el producto, tal como se indica(n) en el (los) manual(es) del propietario.
9. CUANDO EFECTUARA EL GARANTE LA REPARACION O REEMPLAZO CUBIERTO BAJO ESTA GARANTIA:
 - A. La reparación o reemplazo dependerá del flujo normal de trabajo del centro de servicio y de la disponibilidad de repuestos.
 - B. Si el comprador no recibe resultados satisfactorios en el Centro de Servicio a Clientes de Maxus. (Ver Párrafo 2).

Garantía Limitada es válida sólo en los Estados Unidos y Canada y le otorga derechos legales específicos. Usted también podría tener otros derechos que varían de un Estado a otro o de un país a otro.