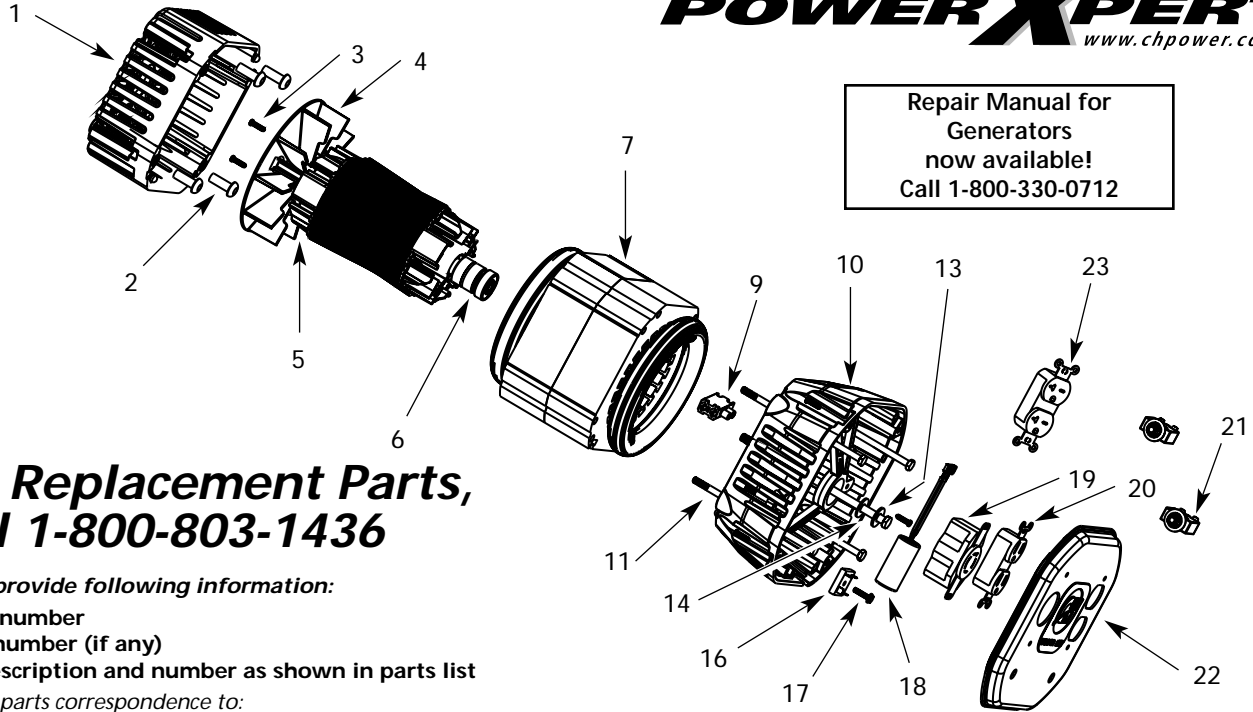




Alternator

SERIOUS DUTY™

For parts, products & service information visit
POWER XPERT
 www.chpower.com



**For Replacement Parts,
 Call 1-800-803-1436**

Please provide following information:

- Model number
- Serial number (if any)
- Part description and number as shown in parts list

Address parts correspondence to:
 The Campbell Group
 Attn: Parts Department
 100 Production Drive
 Harrison, OH 45030 U.S.A.

Ref.	Description	Part Number for Models:				Qty.
		GN356502	GN356602	GN451102	GN451602	
1	Engine adapter	GN006440AG	GN006440AG	GN006440AG	GN006440AG	1
2	5/16 - 24 x 3/4" Screw	MJ101200AV	MJ101200AV	—	—	4
	3/18 - 16 x 3/4" Screw	—	—	MJ103907AV	MJ103907AV	4
3	8 - 18 x 5/8" Screw	MJ106109AV	MJ106109AV	MJ106109AV	MJ106109AV	7
4	Rotor fan	GN006430AV	GN006430AV	GN006430AV	GN006430AV	1
5	Rotor assembly	GN006701SJ	GN006701SJ	GN006702SJ	GN006702SJ	1
6	Rotor bearing	GN007200AV	GN007200AV	GN007200AV	GN007200AV	1
7	Stator assembly	GN006501SJ	GN006501SJ	GN006502SJ	GN006502SJ	1
8	Δ Brush kit	GN006630SJ	GN006630SJ	GN006630SJ	GN006630SJ	1
9	Brush holder	GN006620SV	GN006620SV	GN006620SV	GN006620SV	1
10	Bearing end bell	GN006460AG	GN006460AG	GN006460AG	GN006460AG	1
11	1/4 - 20 Hex head	GN006601AV	GN006601AV	GN006602AV	GN006602AV	4
12	Δ Wiring kit #1, cover	GN003891SJ	GN003891SJ	GN003891SJ	GN003891SJ	1
13	5/16 - 24 Bolt	GN006451AV	GN006451AV	GN006452AV	GN006452AV	1
14	5/16 Flat washer	MJ105304AV	MJ105304AV	MJ105304AV	MJ105304AV	5
15	Δ Wiring kit #2, brushes	GN003892SJ	GN003892SJ	GN003892SJ	GN003892SJ	1
16	200V 8A Rectifier	GN006650AV	GN006650AV	GN006650AV	GN006650AV	1
17	#8 Hi-Lo Screw	HP007110AV	HP007110AV	HP007110AV	HP007110AV	4
18	Capacitor 220UF assembly	GN006640AJ	GN006640AJ	GN006640AJ	GN006640AJ	1
19	240V TL Receptacle	—	—	—	—	1
20	120V Duplex receptacle	—	—	GN003400AV	—	1
21	25A Circuit breaker	—	—	GN003601AV	—	2
22	End cover	GN006482AV	GN006482AV	GN006481AV	GN006482AV	1
23	240V Duplex receptacle	—	—	GN003500AV	—	1

Δ Item not shown

For Replacement Parts, Call 1-800-803-1436

Please provide following information:

- Model number
- Serial number (if any)
- Part description and number as shown in parts list

Address parts correspondence to:

The Campbell Group
 Attn: Parts Department
 100 Production Drive
 Harrison, OH 45030 U.S.A.

Ref.	Description	Part Number for Models:				Qty.
		GN501202	GN503102	GN503702	GN551102	
1	Engine adapter	GN006440AG	GN006441AG	GN006441AG	GN006440AG	1
2	3/18 - 16 x 3/4" Screw	MJ103907AV	MJ103907AV	MJ103907AV	MJ103907AV	4
3	8 - 18 x 5/8" Screw	MJ106109AV	MJ106109AV	MJ106109AV	MJ106109AV	7
4	Rotor fan	GN006430AV	GN006430AV	GN006430AV	GN006430AV	1
5	Rotor assembly	GN006702SJ	GN006703SJ	GN006703SJ	GN006703SJ	1
6	Rotor bearing	GN007200AV	GN007200AV	GN007200AV	GN007200AV	1
7	Stator assembly	GN006502SJ	GN006503SJ	GN006503SJ	GN006503SJ	1
8	Δ Brush kit	GN006630SJ	GN006630SJ	GN006630SJ	GN006630SJ	1
9	Brush holder	GN006620SV	GN006620SV	GN006620SV	GN006620SV	1
10	Bearing end bell	GN006460AG	GN006460AG	GN006460AG	GN006460AG	1
11	1/4 - 20 Hex head	GN006602AV	GN006603AV	GN006603AV	GN006603AV	4
12	Δ Wiring kit #1, cover	GN003891SJ	GN003891SJ	GN003891SJ	GN003891SJ	1
13	5/16 - 24 Bolt	GN006452AV	GN006453AV	GN006453AV	GN006453AV	1
14	5/16 Flat washer	MJ105304AV	MJ105304AV	MJ105304AV	MJ105304AV	5
15	Δ Wiring kit #2, brushes	GN003892SJ	GN003892SJ	GN003892SJ	GN003892SJ	1
16	200V 8A Rectifier	GN006650AV	GN006650AV	GN006650AV	GN006650AV	1
17	#8 Hi-Lo Screw	HP007110AV	HP007110AV	HP007110AV	HP007110AV	4
18	Capacitor 220UF assembly	GN006640AJ	GN006640AJ	GN006640AJ	GN006640AJ	1
19	240V TL Receptacle	—	GN003501AV	—	—	1
20	120V Duplex receptacle	GN003400AV	GN003400AV	—	GN003400AV	1
21	25A Circuit breaker	GN003601AV	GN003601AV	GN003601AV	GN003601AV	2
22	End cover	GN006481AV	GN006484AV	GN006482AV	GN006481AV	1
23	240V Duplex receptacle	GN003500AV	—	—	GN003500AV	1

Δ Item not shown

Ref.	Description	Part Number for Models:				Qty.
		GN602302	GN602502	GN602602	GN603102	
1	Engine adapter	GN006440AG	GN006440AG	GN006481AV	GN006441AG	1
2	3/18 - 16 x 3/4" Screw	MJ103907AV	MJ103907AV	MJ103907AV	MJ103907AV	4
3	8 - 18 x 5/8" Screw	MJ106109AV	MJ106109AV	MJ106109AV	MJ106109AV	7
4	Rotor fan	GN006430AV	GN006430AV	GN006430AV	GN006430AV	1
5	Rotor assembly	GN006703SJ	GN006703SJ	GN006703SJ	GN006703SJ	1
6	Rotor bearing	GN007200AV	GN007200AV	GN007200AV	GN007200AV	1
7	Stator assembly	GN006503SJ	GN006503SJ	GN00653SJ	GN006503SJ	1
8	Δ Brush kit	GN006630SJ	GN006630SJ	GN006630SJ	GN006630SJ	1
9	Brush holder	GN006620SV	GN006620SV	GN006620SV	GN006620SV	1
10	Bearing end bell	GN006460AG	GN006460AG	GN006460AG	GN006460AG	1
11	1/4 - 20 Hex head	GN006603AV	GN006603AV	GN006603AV	GN006603AV	4
12	Δ Wiring kit #1, cover	GN003891SJ	GN003891SJ	GN003891SJ	GN003891SJ	1
13	5/16 - 24 Bolt	GN006453AV	GN006453AV	GN006453AV	GN006453AV	1
14	5/16 Flat washer	MJ105304AV	MJ105304AV	MJ105304AV	MJ105304AV	5
15	Δ Wiring kit #2, brushes	GN003892SJ	GN003892SJ	GN003892SJ	GN003892SJ	1
16	200V 8A Rectifier	GN006650AV	GN006650AV	GN006650AV	GN006650AV	1
17	#8 Hi-Lo Screw	HP007110AV	HP007110AV	HP007110AV	HP007110AV	4
18	Capacitor 220UF assembly	GN006640AJ	GN006640AJ	GN006640AJ	GN006640AJ	1
19	240V TL Receptacle	GN003501AV	GN003511AV	—	GN003511AV	1
20	120V Duplex receptacle	GN003400AV	GN003400AV	—	GN003400AV	1
21	25A Circuit breaker	GN003601AV	GN003601AV	—	GN003601AV	2
22	End cover	GN006484AV	GN006484AV	GN006482AV	GN006484AV	1
23	240V Duplex receptacle	—	—	—	—	1

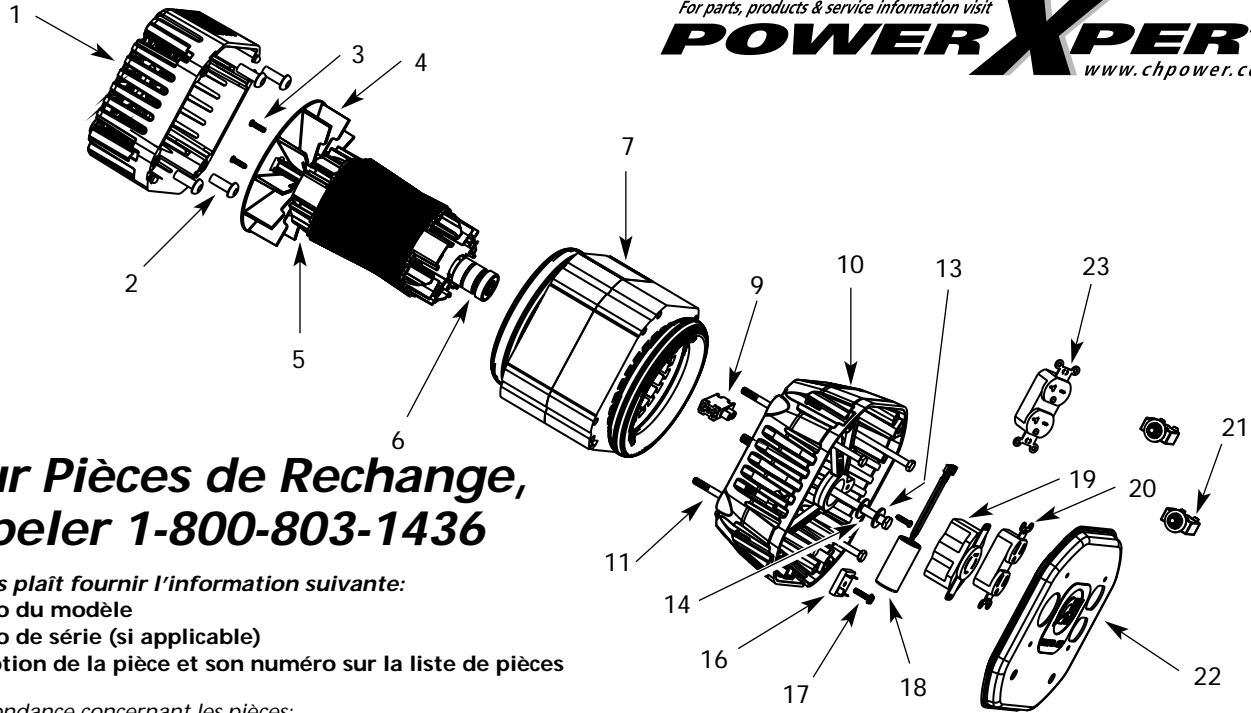
Δ Item not shown



Alternateur

SERIOUS DUTY

For parts, products & service information visit
POWER XPERT
 www.chpower.com



**Pour Pièces de Rechange,
 Appeler 1-800-803-1436**

- S'il vous plaît fournir l'information suivante:*
- Numéro du modèle
 - Numéro de série (si applicable)
 - Description de la pièce et son numéro sur la liste de pièces

Correspondance concernant les pièces:
 The Campbell Group
 Attn: Parts Department
 100 Production Drive
 Harrison, OH 45030 U.S.A.

N° Réf	Description	Numéro de Pièce pour Modèles				Qté.
		GN356502	GN356602	GN451102	GN451602	
1	Adaptateur de moteur	GN006440AG	GN006440AG	GN006440AG	GN006440AG	1
2	Vis 5/16 po - 24 x 3/4 po	MJ101200AV	MJ101200AV	—	—	4
	Vis 3/18 po - 16 x 3/4 po	—	—	MJ103907AV	MJ103907AV	4
3	Vis 8-18 x 5/8 po	MJ106109AV	MJ106109AV	MJ106109AV	MJ106109AV	7
4	Ventilateur du rotor	GN006430AV	GN006430AV	GN006430AV	GN006430AV	1
5	Assemblage de rotor	GN006701SJ	GN006701SJ	GN006702SJ	GN006702SJ	1
6	Palier du rotor	GN007200AV	GN007200AV	GN007200AV	GN007200AV	1
7	Assemblage de stator	GN006501SJ	GN006551SJ	GN006502SJ	GN006552SJ	1
8	Δ Ensemble de balais	GN006630SJ	GN006630SJ	GN006630SJ	GN006630SJ	1
9	Porte-balais	GN006620SV	GN006620SV	GN006620SV	GN006620SV	1
10	Flasque palier	GN006460AG	GN006460AG	GN006460AG	GN006460AG	1
11	Tête hexagonale 1/4-20	GN006601AV	GN006601AV	GN006602AV	GN006602AV	4
12	Δ Ensemble de câblage n° 1, couvercle	GN003891SJ	GN003891SJ	GN003891SJ	GN003891SJ	1
13	Boulon 5/16-24	GN006451AV	GN006451AV	GN006452AV	GN006452AV	1
14	Rondelle plate 5/16	MJ105304AV	MJ105304AV	MJ105304AV	MJ105304AV	5
15	Δ Ensemble de câblage n° 2, balais	GN003892SJ	GN003892SJ	GN003892SJ	GN003892SJ	1
16	Redresseur 200 V, 8 A	GN006650AV	GN006650AV	GN006650AV	GN006650AV	1
17	Vis Hi-Lo #8	HP007110AV	HP007110AV	HP007110AV	HP007110AV	4
18	Assemblage de condensateur 200UF	GN006640AJ	GN006640AJ	GN006640AJ	GN006640AJ	1
19	240V TL Prise	—	—	—	—	1
20	Prise Duplex 120V	—	—	GN003400AV	—	1
21	Disjoncteur de 25A	—	—	GN003601AV	—	2
22	Couvercle d'extrémité	GN006482AV	GN006482AV	GN006481AV	GN006482AV	1
23	Prise Duplex 240V	—	—	GN003500AV	—	1

Δ Article non illustré

Pour Pièces de Rechange, Appeler 1-800-803-1436

S'il vous plait fournir l'information suivante:

- Numéro du modèle
- Numéro de série (si applicable)
- Description de la pièce et son numéro sur la liste de pièces

Correspondance concernant les pièces:

The Campbell Group
Attn: Parts Department
100 Production Drive
Harrison, OH 45030 U.S.A.

N° Réf.	Description	Numéro de pièce				Qté.
		GN501202	GN503102	GN503702	GN551102	
1	Adaptateur de moteur	GN006440AG	GN006441AG	GN006441AG	GN006440AG	1
2	Vis 3/18 po - 16 x 3/4 po	MJ103907AV	MJ103907AV	MJ103907AV	MJ103907AV	4
3	Vis 8-18 x 5/8 po	MJ106109AV	MJ106109AV	MJ106109AV	MJ106109AV	7
4	Ventilateur du rotor	GN006430AV	GN006430AV	GN006430AV	GN006430AV	1
5	Assemblage de rotor	GN006702SJ	GN006703SJ	GN006703SJ	GN006703SJ	1
6	Palier du rotor	GN007200AV	GN007200AV	GN007200AV	GN007200AV	1
7	Assemblage de stator	GN006502SJ	GN006503SJ	GN006503SJ	GN006503SJ	1
8	Δ Ensemble de balais	GN006630SJ	GN006630SJ	GN006630SJ	GN006630SJ	1
9	Porte-balais	GN006620SV	GN006620SV	GN006620SV	GN006620SV	1
10	Flasque palier	GN006460AG	GN006460AG	GN006460AG	GN006460AG	1
11	Tête hexagonale 1/4-20	GN006602AV	GN006603AV	GN006603AV	GN006603AV	4
12	Δ Ensemble de câblage n° 1, couvercle	GN003891SJ	GN003891SJ	GN003891SJ	GN003891SJ	1
13	Boulon 5/16-24	GN006452AV	GN006453AV	GN006453AV	GN006453AV	1
14	Rondelle plate 5/16	MJ105304AV	MJ105304AV	MJ105304AV	MJ105304AV	5
15	Δ Ensemble de câblage n° 2, balais	GN003892SJ	GN003892SJ	GN003892SJ	GN003892SJ	1
16	Redresseur 200 V, 8 A	GN006650AV	GN006650AV	GN006650AV	GN006650AV	1
17	Vis Hi-Lo #8	HP007110AV	HP007110AV	HP007110AV	HP007110AV	4
18	Assemblage de condensateur 200UF	GN006640AJ	GN006640AJ	GN006640AJ	GN006640AJ	1
19	240V TL Prise	—	GN003501AV	—	—	1
20	Prise Duplex 120V	GN003400AV	GN003400AV	—	GN003400AV	1
21	Disjoncteur de 25A	GN003601AV	GN003601AV	GN003601AV	GN003601AV	2
22	Couvercle d'extrémité	GN006481AV	GN006484AV	GN006482AV	GN006481AV	1
23	Prise Duplex 240V	GN003500AV	—	—	GN003500AV	1

Δ Article non illustré

N° Réf.	Description	Numéro de pièce				Qté.
		GN602302	GN602502	GN602602	GN603102	
1	Adaptateur de moteur	GN006440AG	GN006440AG	GN006481AV	GN006441AG	1
2	Vis 3/18 po - 16 x 3/4 po	MJ103907AV	MJ103907AV	MJ103907AV	MJ103907AV	4
3	Vis 8-18 x 5/8 po	MJ106109AV	MJ106109AV	MJ106109AV	MJ106109AV	7
4	Ventilateur du rotor	GN006430AV	GN006430AV	GN006430AV	GN006430AV	1
5	Assemblage de rotor	GN006703SJ	GN006703SJ	GN006703SJ	GN006703SJ	1
6	Palier du rotor	GN007200AV	GN007200AV	GN007200AV	GN007200AV	1
7	Assemblage de stator	GN006503SJ	GN006503SJ	GN006553SJ	GN006503SJ	1
8	Δ Ensemble de balais	GN006630SJ	GN006630SJ	GN006630SJ	GN006630SJ	1
9	Porte-balais	GN006620SV	GN006620SV	GN006620SV	GN006620SV	1
10	Flasque palier	GN006460AG	GN006460AG	GN006460AG	GN006460AG	1
11	Tête hexagonale 1/4-20	GN006603AV	GN006603AV	GN006603AV	GN006603AV	4
12	Δ Ensemble de câblage n° 1, couvercle	GN003891SJ	GN003891SJ	GN003891SJ	GN003891SJ	1
13	Boulon 5/16-24	GN006453AV	GN006453AV	GN006453AV	GN006453AV	1
14	Rondelle plate 5/16	MJ105304AV	MJ105304AV	MJ105304AV	MJ105304AV	5
15	Δ Ensemble de câblage n° 2, balais	GN003892SJ	GN003892SJ	GN003892SJ	GN003892SJ	1
16	Redresseur 200 V, 8 A	GN006650AV	GN006650AV	GN006650AV	GN006650AV	1
17	Vis Hi-Lo #8	HP007110AV	HP007110AV	HP007110AV	HP007110AV	4
18	Assemblage de condensateur 200UF	GN006640AJ	GN006640AJ	GN006640AJ	GN006640AJ	1
19	240V TL Prise	GN003501AV	GN003511AV	—	GN003511AV	1
20	Prise Duplex 120V	GN003400AV	GN003400AV	—	GN003400AV	1
21	Disjoncteur de 25A	GN003601AV	GN003601AV	—	GN003601AV	2
22	Couvercle d'extrémité	GN006484AV	GN006484AV	GN006482AV	GN006484AV	1
23	Prise Duplex 240V	—	—	—	—	1

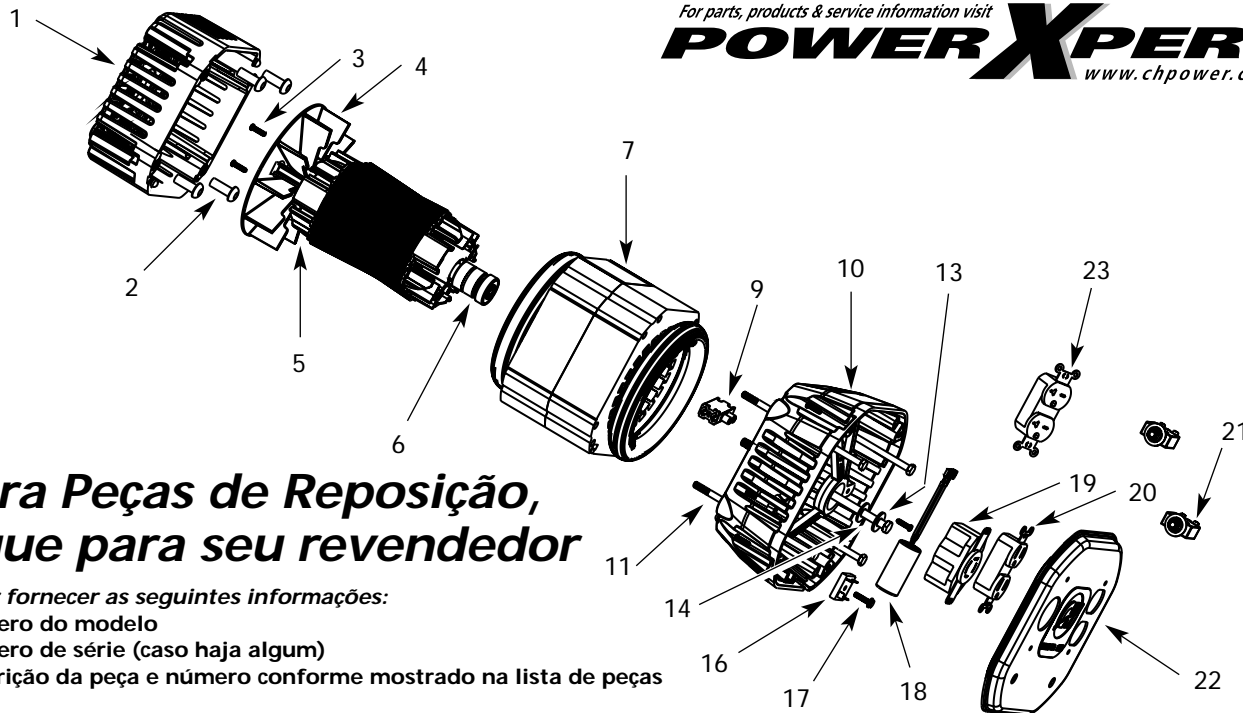
Δ Article non illustré



Alternador de Corrente

SERIOUS DUTY

For parts, products & service information visit
POWER XPERT
 www.chpower.com



Para Peças de Reposição, ligue para seu revendedor

Favor fornecer as seguintes informações:

- Número do modelo
- Número de série (caso haja algum)
- Descrição da peça e número conforme mostrado na lista de peças

Envie correspondência sobre peças para:
 The Campbell Group / Attn: Parts Department
 100 Production Drive
 Harrison, OH 45030 U.S.A.

No Ref.	Descrição	Número da peça para modelos:				Qtd.
		GN356502	GN356602	GN451102	GN451602	
1	Adaptador do motor	GN006440AG	GN006440AG	GN006440AG	GN006440AG	1
2	5/16 - 24 x 3/4 pol. Parafuso	MJ101200AV	MJ101200AV	—	—	4
3	3/18 - 16 x 3/4 pol. Parafuso	—	—	MJ103907AV	MJ103907AV	4
4	Parafuso 18 x 5/8 pol. - 8	MJ106109AV	MJ106109AV	MJ106109AV	MJ106109AV	7
5	Conjunto do Rotor	GN006701SJ	GN006701SJ	GN006702SJ	GN006702SJ	1
6	Rolamento do Rotor	GN007200AV	GN007200AV	GN007200AV	GN007200AV	1
7	Conjunto do Estator	GN006501SJ	GN006551SJ	GN006502SJ	GN006552SJ	1
8	Δ Jogo de Escovas	GN006630SJ	GN006630SJ	GN006630SJ	GN006630SJ	1
9	Rolamento do fundo da cavidade	GN006620SV	GN006620SV	GN006620SV	GN006620SV	1
10	Porta-Escovas	GN006460AG	GN006460AG	GN006460AG	GN006460AG	1
11	Parafuso Hexagonal de 1/4 pol. - 20	GN006601AV	GN006601AV	GN006602AV	GN006602AV	4
12	Δ Conjunto de fiação #1, tampa	GN003891SJ	GN003891SJ	GN003891SJ	GN003891SJ	1
13	Parafuso de porca de 5/16 pol. - 24	GN006451AV	GN006451AV	GN006452AV	GN006452AV	1
14	Arruela Chata de 5/16 pol.	MJ105304AV	MJ105304AV	MJ105304AV	MJ105304AV	5
15	Δ Conjunto de fiação #2, escovas	GN003892SJ	GN003892SJ	GN003892SJ	GN003892SJ	1
16	Retificador de 8 A - 200V	GN006650AV	GN006650AV	GN006650AV	GN006650AV	1
17	Parafuso longo #8, tipo Hi-Lo	HP007110AV	HP007110AV	HP007110AV	HP007110AV	4
18	Conjunto do Capacitor de 220UF	GN006640AJ	GN006640AJ	GN006640AJ	GN006640AJ	1
19	Caixa do Alternador 240V TL	—	—	—	—	1
20	Receptáculo duplex de 120V	—	—	GN003400AV	—	1
21	Interruptor do circuito 25A	—	—	GN003601AV	—	2
22	Tampa da Extremidade	GN006482AV	GN006482AV	GN006481AV	GN006482AV	1
23	Receptáculo duplex de 240V	—	—	GN003500AV	—	1

Δ Item não mostrado

Para Peças de Reposição, ligue para seu revendedor

Favor fornecer as seguintes informações:

- Número do modelo
- Número de série (caso haja algum)
- Descrição da peça e número conforme mostrado na lista de peças

Envie correspondência sobre peças para:

The Campbell Group / Attn: Parts Department
100 Production Drive
Harrison, OH 45030 U.S.A.

No Ref.	Descrição	Número da peça para modelos:				Qtd.
		GN501202	GN503102	GN503702	GN551102	
1	Engine adapter	GN006440AG	GN006441AG	GN006441AG	GN006440AG	1
2	3/18 - 16 x 3/4 pol. Parafuso	MJ103907AV	MJ103907AV	MJ103907AV	MJ103907AV	4
3	Parafuso 18 x 5/8 pol. - 8	MJ106109AV	MJ106109AV	MJ106109AV	MJ106109AV	7
4	Ventilador do Rotor	GN006430AV	GN006430AV	GN006430AV	GN006430AV	1
5	Conjunto do Rotor	GN006702SJ	GN006703SJ	GN006703SJ	GN006703SJ	1
6	Rolamento do Rotor	GN007200AV	GN007200AV	GN007200AV	GN007200AV	1
7	Conjunto do Estator	GN006502SJ	GN006503SJ	GN006503SJ	GN006503SJ	1
8	Δ Jogo de Escovas	GN006630SJ	GN006630SJ	GN006630SJ	GN006630SJ	1
9	Rolamento do fundo da cavidade	GN006620SV	GN006620SV	GN006620SV	GN006620SV	1
10	Porta-Escovas	GN006460AG	GN006460AG	GN006460AG	GN006460AG	1
11	Parafuso Hexagonal de 1/4 pol. - 20	GN006602AV	GN006603AV	GN006603AV	GN006603AV	4
12	Δ Conjunto de fiação #1, tampa	GN003891SJ	GN003891SJ	GN003891SJ	GN003891SJ	1
13	Parafuso de porca de 5/16 pol. - 24	GN006452AV	GN006453AV	GN006453AV	GN006453AV	1
14	Arruela Chata de 5/16 pol.	MJ105304AV	MJ105304AV	MJ105304AV	MJ105304AV	5
15	Δ Conjunto de fiação #2, escovas	GN003892SJ	GN003892SJ	GN003892SJ	GN003892SJ	1
16	Retificador de 8 A - 200V	GN006650AV	GN006650AV	GN006650AV	GN006650AV	1
17	Parafuso longo #8, tipo Hi-Lo	HP007110AV	HP007110AV	HP007110AV	HP007110AV	4
18	Conjunto do Capacitor de 220UF	GN006640AJ	GN006640AJ	GN006640AJ	GN006640AJ	1
19	Caixa do Alternador 240V TL	—	GN003501AV	—	—	1
20	Receptáculo duplex de 120V	GN003400AV	GN003400AV	—	GN003400AV	1
21	Interruptor do circuito 25A	GN003601AV	GN003601AV	GN003601AV	GN003601AV	2
22	Tampa da Extremidade	GN006481AV	GN006484AV	GN006482AV	GN006481AV	1
23	Receptáculo duplex de 240V	GN003500AV	—	—	GN003500AV	1

Δ Item não mostrado

No Ref.	Descrição	Número da peça para modelos:				Qtd.
		GN602302	GN602502	GN602602	GN603102	
1	Engine adapter	GN006440AG	GN006440AG	GN006481AV	GN006441AG	1
2	3/18 - 16 x 3/4 pol. Parafuso	MJ103907AV	MJ103907AV	MJ103907AV	MJ103907AV	4
3	Parafuso 18 x 5/8 pol. - 8	MJ106109AV	MJ106109AV	MJ106109AV	MJ106109AV	7
4	Ventilador do Rotor	GN006430AV	GN006430AV	GN006430AV	GN006430AV	1
5	Conjunto do Rotor	GN006703SJ	GN006703SJ	GN006703SJ	GN006703SJ	1
6	Rolamento do Rotor	GN007200AV	GN007200AV	GN007200AV	GN007200AV	1
7	Conjunto do Estator	GN006503SJ	GN006503SJ	GN006553SJ	GN006503SJ	1
8	Δ Jogo de Escovas	GN006630SJ	GN006630SJ	GN006630SJ	GN006630SJ	1
9	Rolamento do fundo da cavidade	GN006620SV	GN006620SV	GN006620SV	GN006620SV	1
10	Porta-Escovas	GN006460AG	GN006460AG	GN006460AG	GN006460AG	1
11	Parafuso Hexagonal de 1/4 pol. - 20	GN006603AV	GN006603AV	GN006603AV	GN006603AV	4
12	Δ Conjunto de fiação #1, tampa	GN003891SJ	GN003891SJ	GN003891SJ	GN003891SJ	1
13	Parafuso de porca de 5/16 pol. - 24	GN006453AV	GN006453AV	GN006453AV	GN006453AV	1
14	Arruela Chata de 5/16 pol.	MJ105304AV	MJ105304AV	MJ105304AV	MJ105304AV	5
15	Δ Conjunto de fiação #2, escovas	GN003892SJ	GN003892SJ	GN003892SJ	GN003892SJ	1
16	Retificador de 8 A - 200V	GN006650AV	GN006650AV	GN006650AV	GN006650AV	1
17	Parafuso longo #8, tipo Hi-Lo	HP007110AV	HP007110AV	HP007110AV	HP007110AV	4
18	Conjunto do Capacitor de 220UF	GN006640AJ	GN006640AJ	GN006640AJ	GN006640AJ	1
19	Caixa do Alternador 240V TL	GN003501AV	GN003511AV	—	GN003511AV	1
20	Receptáculo duplex de 120V	GN003400AV	GN003400AV	—	GN003400AV	1
21	Interruptor do circuito 25A	GN003601AV	GN003601AV	—	GN003601AV	2
22	Tampa da Extremidade	GN006484AV	GN006484AV	GN006482AV	GN006484AV	1
23	Receptáculo duplex de 240V	—	—	—	—	1

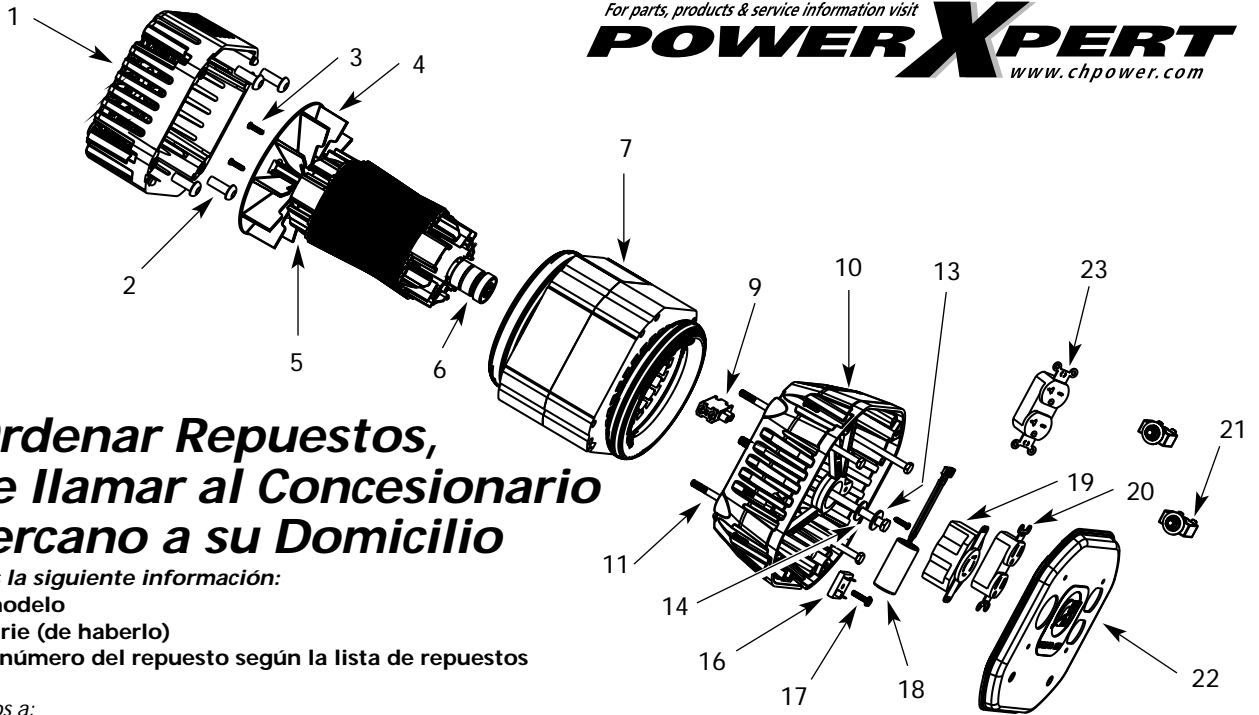
Δ Item não mostrado



SERIOUS DUTY

Alternador

For parts, products & service information visit
POWER XPERT
www.chpower.com



**Para Ordenar Repuestos,
 Sírvase llamar al Concesionario
 más Cercano a su Domicilio**

Sírvase darnos la siguiente información:

- Número del modelo
- Número de Serie (de haberlo)
- Descripción y número del repuesto según la lista de repuestos

Puede escribirnos a:

The Campbell Group
 Attn: Parts Department
 100 Production Drive
 Harrison, OH 45030 U.S.A.

Réf. No.	Descripción	Número del repuesto:				Ctd.
		GN356502	GN356602	GN451102	GN451602	
1	Adaptador del motor	GN006440AG	GN006440AG	GN006440AG	GN006440AG	1
2	Tornillo 5/16 - 24 x 19,1 mm (3/4")	MJ101200AV	MJ101200AV	—	—	4
	Tornillo 3/18 - 16 x 19,1 (3/4")	—	—	MJ103907AV	MJ103907AV	4
3	Tornillo 8 - 18 x 15,9 mm (5/8")	MJ106109AV	MJ106109AV	MJ106109AV	MJ106109AV	7
4	Ventilador del rotor	GN006430AV	GN006430AV	GN006430AV	GN006430AV	1
5	Ensamblaje del rotor	GN006701SJ	GN006701SJ	GN006702SJ	GN006702SJ	1
6	Rodamiento del rotor	GN007200AV	GN007200AV	GN007200AV	GN007200AV	1
7	Ensamblaje del estator	GN006501SJ	GN006551SJ	GN006502SJ	GN006552SJ	1
8	Δ Juego de cepillos	GN006630SJ	GN006630SJ	GN006630SJ	GN006630SJ	1
9	Porta cepillo	GN006620SV	GN006620SV	GN006620SV	GN006620SV	1
10	Rodamiento y campana	GN006460AG	GN006460AG	GN006460AG	GN006460AG	1
11	Cabeza hexagonal 1/4 - 20	GN006601AV	GN006601AV	GN006602AV	GN006602AV	4
12	Δ Juego de cableado N° 1, tapa	GN003891SJ	GN003891SJ	GN003891SJ	GN003891SJ	1
13	Tornillo 5/16 - 24	GN006451AV	GN006451AV	GN006452AV	GN006452AV	1
14	Arandela plana 5/16	MJ105304AV	MJ105304AV	MJ105304AV	MJ105304AV	5
15	Δ Juego de cableado N° 2, cepillos	GN003892SJ	GN003892SJ	GN003892SJ	GN003892SJ	1
16	Rectificador de 200V 8A	GN006650AV	GN006650AV	GN006650AV	GN006650AV	1
17	Tornillo Hi-Lo N° 8	HP007110AV	HP007110AV	HP007110AV	HP007110AV	4
18	Ensamblaje del condensador de 220UF	GN006640AJ	GN006640AJ	GN006640AJ	GN006640AJ	1
19	Receptáculo de TL 240V	—	—	—	—	1
20	Receptáculo dúplex de 120V	—	—	GN003400AV	—	1
21	Disyuntor de 25A	—	—	GN003601AV	—	2
22	Tapa del extremo	GN006482AV	GN006482AV	GN006481AV	GN006482AV	1
23	Receptáculo dúplex de 240V	—	—	GN003500AV	—	1

Δ Artículo que no se muestra

Para Ordenar Repuestos, Sírvase llamar al Concesionario más Cercano a su Domicilio

Sírvase darnos la siguiente información:

- Número del modelo
- Número de Serie (de haberlo)
- Descripción y número del repuesto según la lista de repuestos

Puede escribirnos a:
 The Campbell Group
 Attn: Parts Department
 100 Production Drive
 Harrison, OH 45030 U.S.A.

Réf. No.	Descripción	Número del repuesto:				Ctd.
		GN501202	GN503102	GN503702	GN551102	
1	Engine adapter	GN006440AG	GN006441AG	GN006441AG	GN006440AG	1
2	Tornillo 3/18 - 16 x 19,1 mm (3/4")	MJ103907AV	MJ103907AV	MJ103907AV	MJ103907AV	4
3	Tornillo 8 - 18 x 15,9 mm (5/8")	MJ106109AV	MJ106109AV	MJ106109AV	MJ106109AV	7
4	Ventilador del rotor	GN006430AV	GN006430AV	GN006430AV	GN006430AV	1
5	Ensamblaje del rotor	GN006702SJ	GN006703SJ	GN006703SJ	GN006703SJ	1
6	Rodamiento del rotor	GN007200AV	GN007200AV	GN007200AV	GN007200AV	1
7	Ensamblaje del estator	GN006502SJ	GN006503SJ	GN006503SJ	GN006503SJ	1
8	Δ Juego de cepillos	GN006630SJ	GN006630SJ	GN006630SJ	GN006630SJ	1
9	Porta cepillo	GN006620SV	GN006620SV	GN006620SV	GN006620SV	1
10	Rodamiento y campana	GN006460AG	GN006460AG	GN006460AG	GN006460AG	1
11	Cabeza hexagonal 1/4 - 20	GN006602AV	GN006603AV	GN006603AV	GN006603AV	4
12	Δ Juego de cableado N° 1, tapa	GN003891SJ	GN003891SJ	GN003891SJ	GN003891SJ	1
13	Tornillo 5/16 - 24	GN006452AV	GN006453AV	GN006453AV	GN006453AV	1
14	Arandela plana 5/16	MJ105304AV	MJ105304AV	MJ105304AV	MJ105304AV	5
15	Δ Juego de cableado N° 2, cepillos	GN003892SJ	GN003892SJ	GN003892SJ	GN003892SJ	1
16	Rectificador de 200V 8A	GN006650AV	GN006650AV	GN006650AV	GN006650AV	1
17	Tornillo Hi-Lo N° 8	HP007110AV	HP007110AV	HP007110AV	HP007110AV	4
18	Ensamblaje del condensador de 220UF	GN006640AJ	GN006640AJ	GN006640AJ	GN006640AJ	1
19	Receptáculo de TL 240V	—	GN003501AV	—	—	1
20	Receptáculo dúplex de 120V	GN003400AV	GN003400AV	—	GN003400AV	1
21	Disyuntor de 25A	GN003601AV	GN003601AV	GN003601AV	GN003601AV	2
22	Tapa del extremo	GN006481AV	GN006484AV	GN006482AV	GN006481AV	1
23	Receptáculo dúplex de 240V	GN003500AV	—	—	GN003500AV	1

Δ Artículo que no se muestra

Réf. No.	Descripción	Número del repuesto:				Ctd.
		GN602302	GN602502	GN602602	GN603102	
1	Engine adapter	GN006440AG	GN006440AG	GN006481AV	GN006441AG	1
2	Tornillo 3/18 - 16 x 19,1 mm (3/4")	MJ103907AV	MJ103907AV	MJ103907AV	MJ103907AV	4
3	Tornillo 8 - 18 x 15,9 mm (5/8")	MJ106109AV	MJ106109AV	MJ106109AV	MJ106109AV	7
4	Ventilador del rotor	GN006430AV	GN006430AV	GN006430AV	GN006430AV	1
5	Ensamblaje del rotor	GN006703SJ	GN006703SJ	GN006703SJ	GN006703SJ	1
6	Rodamiento del rotor	GN007200AV	GN007200AV	GN007200AV	GN007200AV	1
7	Ensamblaje del estator	GN006503SJ	GN006503SJ	GN00653SJ	GN006503SJ	1
8	Δ Juego de cepillos	GN006630SJ	GN006630SJ	GN006630SJ	GN006630SJ	1
9	Porta cepillo	GN006620SV	GN006620SV	GN006620SV	GN006620SV	1
10	Rodamiento y campana	GN006460AG	GN006460AG	GN006460AG	GN006460AG	1
11	Cabeza hexagonal 1/4 - 20	GN006603AV	GN006603AV	GN006603AV	GN006603AV	4
12	Δ Juego de cableado N° 1, tapa	GN003891SJ	GN003891SJ	GN003891SJ	GN003891SJ	1
13	Tornillo 5/16 - 24	GN006453AV	GN006453AV	GN006453AV	GN006453AV	1
14	Arandela plana 5/16	MJ105304AV	MJ105304AV	MJ105304AV	MJ105304AV	5
15	Δ Juego de cableado N° 2, cepillos	GN003892SJ	GN003892SJ	GN003892SJ	GN003892SJ	1
16	Rectificador de 200V 8A	GN006650AV	GN006650AV	GN006650AV	GN006650AV	1
17	Tornillo Hi-Lo N° 8	HP007110AV	HP007110AV	HP007110AV	HP007110AV	4
18	Ensamblaje del condensador de 220UF	GN006640AJ	GN006640AJ	GN006640AJ	GN006640AJ	1
19	Receptáculo de TL 240V	GN003501AV	GN003511AV	—	GN003511AV	1
20	Receptáculo dúplex de 120V	GN003400AV	GN003400AV	—	GN003400AV	1
21	Disyuntor de 25A	GN003601AV	GN003601AV	—	GN003601AV	2
22	Tapa del extremo	GN006484AV	GN006484AV	GN006482AV	GN006484AV	1
23	Receptáculo dúplex de 240V	—	—	—	—	1

Δ Artículo que no se muestra