



**CAMPBELL
HAUSFELD**
BUILT TO LAST

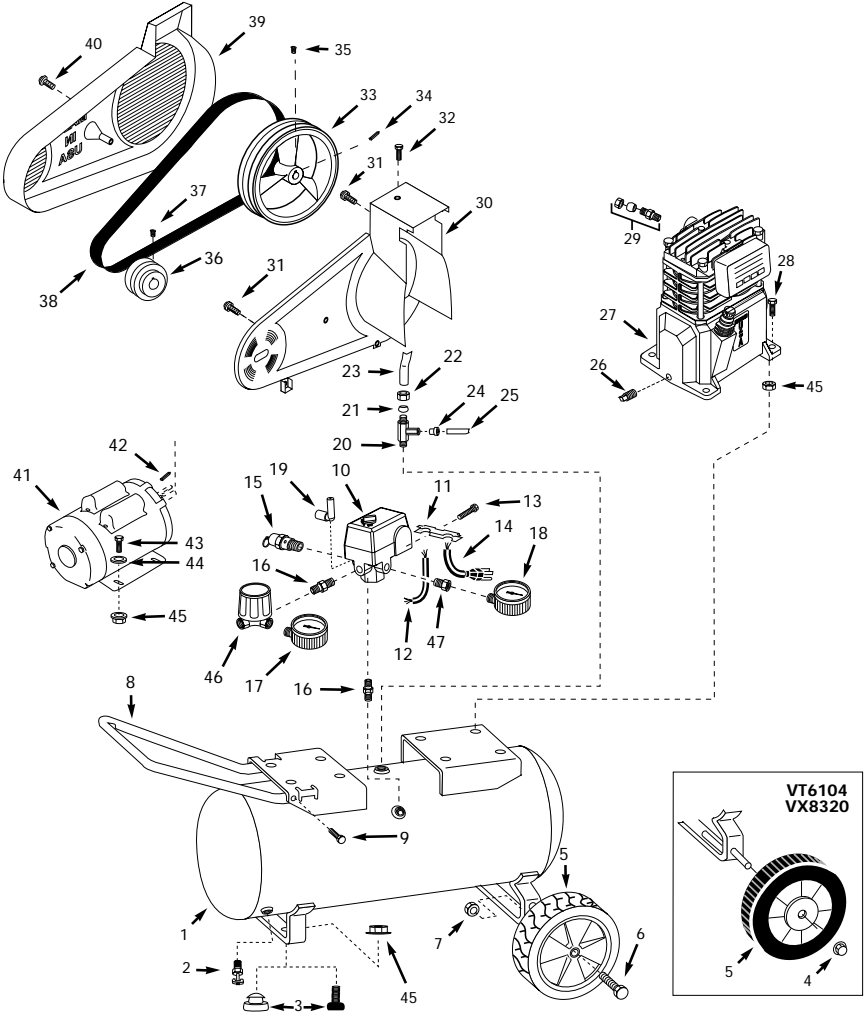
Portable Air Compressors
Compresores de Aire Portátiles
Compressores de Ar Portáteis

Replacement Parts List

Lista de Repuestos

Lista de Peças de Reposição

VT610408, VT612207, VT621203, VT621303, VT627402,
VT910303, VX831204, VX831404, VX832003 & VX833302



VT610408, VT612207, VT621203, VT621303, VT627402 & VT910303

For Replacement Parts, Call 1-800-543-6400

Please provide following information:

- Model number
- Serial number (if any)
- Part description and number as shown in parts list

Address parts correspondence to:

The Campbell Group / Attn: Parts Dept.
100 Production Drive
Harrison, OH 45030 U.S.A.

Ref. No.	Description	Part Number For Models:							Qty
		VT610408	VT612207	VT621203	VT621303	VT627402	VT910303		
1	Tank	AR040400JJ	AR040500JJ	AR040700JJ	AR040500JJ	AR040500JJ	AR043400JJ	1	
2	Drain cock	D-1401	D-1401	D-1401	D-1401	D-1401	D-1401	1	
3	Foot	ST113000AV	ST162600AV	ST162600AV	ST113000AV	ST162600AV	ST162600AV	2	
4	Retainer	ST063100AV	—	—	—	—	—	2	
5	Wheel	WA004100AV	WA004000AV	WA004000AV	WA004000AV	WA004000AV	WA003900AV	2	
6	Axle bolt	—	ST033400AV	ST033400AV	ST033400AV	ST033400AV	ST033400AV	2	
7	Hex keps nut	—	ST033500AV	ST033500AV	ST033500AV	ST033500AV	ST033500AV	2	
8	Handle	HL001801BH	HL001801BH	HL001801BH	HL001801BH	HL001801BH	HL001801BH	1	
9	Handle screw	ST073236AV	ST073236AV	ST073236AV	ST073236AV	ST073236AV	ST073236AV	1	
10	Pressure switch	CW209000AJ	CW209000AJ	CW210700AJ	CW210700AJ	CW210700AJ	CW209000AJ	1	
11	Strain relief	CW209500AV	CW209500AV	—	—	—	CW209600AV	1	
12	Motor cord	EC012800AV	EC012800AV	—	—	—	EC012400AV	1	
13	Strain relief screw	ST209800AV	ST209800AV	—	—	—	ST209800AV	1	
14	Power cord	EC012601AV	EC012601AV	—	—	—	EC012500AV	1	
15	ASME Safety valve	V-215105AV	V-215105AV	V-215105AV	V-215105AV	V-215105AV	V-215105AV	1	
16	1/4" Nipple	HF002401AV	HF002401AV	HF002401AV	HF002401AV	HF002401AV	HF002401AV	3	
17	Outlet pressure gauge	GA016300AV	GA016300AV	GA016300AV	GA016300AV	GA016300AV	GA016300AV	1	
18	Gauge	GA016300AV	GA016300AV	GA016700AV	GA016700AV	GA016700AV	GA016300AV	1	
19	Unloader valve	CW210000AV	CW210000AV	CW210000AV	CW210000AV	CW210000AV	CW210000AV	1	
20	Check valve	CV221502AJ	CV221502AJ	CV221502AJ	CV221502AJ	CV221502AJ	CV221502AJ	1	
21	Ferrule	ST067300AV	ST067300AV	ST067300AV	ST067300AV	ST067300AV	ST067300AV	1	
22	Compression nut	ST033001AV	ST033001AV	ST033001AV	ST033001AV	ST033001AV	ST033001AV	1	
23	Discharge tube	VT043600AP	VT043600AP	VT043600AP	VT043600AP	VT043600AP	VT043600AP	1	
24	Push-in fitting	ST081301AV	ST081301AV	ST081301AV	ST081301AV	VT081301AV	VT081301AV	1	
25	Unloader tube	ST117801AV	ST117801AV	ST117801AV	ST117801AV	ST117801AV	ST117801AV	1	
26	1/8" - 27 Oil drain plug	ST022300AV	ST022300AV	ST022300AV	ST022300AV	ST022300AV	ST022300AV	1	
27	Pump	VT470000KB	VT470000KB	VT470000KB	VT470000KB	VT470000KB	VT470000KB	1	
28	5/16" - 18 x 1 1/4" Hex head screw	ST012800AV	ST012800AV	ST012800AV	ST012800AV	ST012800AV	—	4	
	5/16" - 18 x 3/4" Hex head screw	—	—	—	—	—	ST016000AV	4	
29	Compression connector assy	ST018300AV	ST018300AV	ST018300AV	ST018300AV	ST018300AV	ST018300AV	1	
30	Belt guard (back)	BG217902AV	BG217902AV	BG217902AV	BG217902AV	BG217902AV	BG217902AV	1	
31	#10-24 x 5/16" Self-tap screw	ST042400AV	ST042400AV	ST042400AV	ST042400AV	ST042400AV	ST042400AV	3	
32	5mm x 31mm Self-tap screw	ST129303AV	ST129303AV	ST129303AV	ST129303AV	ST129303AV	ST129303AV	1	
33	Flywheel	PU015900AG	PU015900AG	PU015900AG	PU015900AG	PU015900AG	PU015900AG	1	
34	3/16" Key	KE000900AV	KE000900AV	KE000900AV	KE000900AV	KE000900AV	KE000900AV	1	
35	3/8" - 16 x 3/4" Setscrew	ST026200AV	ST026200AV	ST026200AV	ST026200AV	ST026200AV	ST026200AV	1	
36	Pulley	PU012600AG	PU015200AG	PU012600AG	PU012600AG	PU012600AG	PU015200AG	1	
37	1/4" - 20 x 1/2" Setscrew	ST012200AV	ST012200AV	ST012200AV	ST012200AV	ST012200AV	ST012200AV	1	
38	Belt	BT020400AV	BT020400AV	BT020400AV	BT020400AV	BT020400AV	BT020400AV	1	
39	Belt guard (front)	BG217800AV	BG217800AV	BG217800AV	BG217800AV	BG217800AV	BG217800AV	1	
40	Plascrew	ST058502AV	ST058502AV	ST058502AV	ST058502AV	ST058502AV	ST058502AV	1	
41	Electric Motor	MC006900AV	MC006900AV	MC083300AV	MC083300AV	MC083400AV	MC006900AV	1	
42	3/16" sq. x 1 1/4" Key	KE000903AV	KE000903AV	KE000903AV	KE000903AV	KE000903AV	KE000903AV	2	
43	5/16" - 18 Hex head screw	ST016000AV	ST016000AV	ST016000AV	ST016000AV	ST016000AV	ST016000AV	4	
44	5/16" Washer	ST011200AV	ST011200AV	ST011200AV	ST011200AV	ST011200AV	ST011200AV	4	
45	5/16" - 18 Locknut	ST146000AV	—	—	ST146000AV	—	—	8	
	5/16" - 18 Locknut	—	ST146000AV	ST146000AV	—	ST146000AV	ST146000AV	10	
46	Regulator	RE206203AV	RE206203AV	RE206203AV	RE206203AV	RE206203AV	RE206203AV	1	
47	1/4" x 1/8" Reducer	ST071407AV	ST071407AV	—	—	—	ST071407AV	1	
48	Δ Warning decal (3 piece)	DK630300AV	DK630300AV	DK630300AV	DK630300AV	DK630300AV	DK630300AV	1	
49	Δ Inspection port o-ring	ST070191AV	ST070191AV	ST070191AV	ST070191AV	ST070191AV	ST070161AV	1	

(A) Not shown

VX831204, VX831404, VX832003 & VX833302

For Replacement Parts, Call 1-800-543-6400

Please provide following information:

-Model number

-Serial number (if any)

-Part description and number as shown in parts list

Address parts correspondence to:

The Campbell Group / Attn: Parts Dept.

100 Production Drive

Harrison, OH 45330 U.S.A.

Ref. No.	Description	Part Number For Models:				Qty
		VX831204	VX831404	VX832003	VX833302	
1	Tank	AR040500J	AR040500J	AR040400BR	AR043400BR	1
2	Drain cock	D-1401	D-1401	D-1401	D-1401	1
3	Foot	ST162600AV	ST113000AV	ST113000AV	ST162600AV	2
4	Retainer	—	ST063100AV	ST063100AV	—	2
5	Wheel	WA004000AV	WA004000AV	WA004100AV	WA003900AV	2
6	Axle bolt	ST033400AV	—	—	ST033400AV	2
7	Hex keps nut	ST033500AV	—	—	ST033500AV	2
8	Handle	HL001801BH	HL001801BH	HL001801BH	HL001801BH	1
9	Handle screw	ST073236AV	ST073236AV	ST073236AV	ST073236AV	1
10	Pressure switch	CW209000AJ	CW209000AJ	CW209300AJ	CW209000AJ	1
11	Strain relief	CW209600AV	CW209600AV	—	CW209500AV	1
12	Motor cord	EC012400AV	EC012400AV	—	EC012800AV	1
13	Strain relief screw	ST209800AV	ST209800AV	—	ST209800AV	1
14	Power cord	EC012500AV	EC012500AV	—	EC012601AV	1
15	ASME Safety valve	V-215105AV	V-215105AV	V-215105AV	V-215105AV	1
16	1/4" Nipple	HF002401AV	HF002401AV	HF002401AV	HF002401AV	2
17	Outlet pressure gauge	GA016300AV	GA016300AV	GA016300AV	GA016300AV	1
18	Tank gauge	GA016300AV	GA016300AV	GA016700AV	GA016300AV	1
19	Unloader valve	CW210000AV	CW210000AV	CW210000AV	CW210000AV	1
20	Check valve	CV221502AJ	CV221502AJ	CV221502AJ	CV221502AJ	1
21	Ferrule	ST067300AV	ST067300AV	ST067300AV	ST067300AV	1
22	Compression nut	ST033001AV	ST033001AV	ST033001AV	ST033001AV	1
23	Discharge tube	VT043600AP	VT043600AP	VT043600AP	VT043500AP	1
24	Push-in fitting	ST081301AV	ST081301AV	ST081301AV	ST081301AV	1
25	Unloader tube	ST117801AV	ST117801AV	ST117801AV	ST117801AV	1
26	1/8" - 27 Oil drain plug	ST022300AV	ST022300AV	ST022300AV	ST022300AV	1
27	Pump	VT470000KB	VT470000KB	VT470000KB	VT470000KB	1
28	5/16" - 18 x 1 1/4" Hex head screw	ST012800AV	ST012800AV	ST012800AV	ST016500AV	4
29	Compression connector assembly	ST018300AV	ST018300AV	ST018300AV	ST018300AV	1
30	Belt guard (back)	BG217902AV	BG217902AV	BG217902AV	BG217902AV	1
31	#10 - 24 x 5/16" Self-tapping screw	ST042400AV	ST042400AV	ST042400AV	ST042400AV	3
32	5mm x 31mm Self-tapping screw	ST129303AV	ST129303AV	ST129303AV	ST129303AV	1
33	Flywheel	PU015900AG	PU015900AG	PU015900AG	PU015900AG	1
34	3/16" Key	KE000900AV	KE000900AV	KE000900AV	KE000900AV	1
35	3/8" - 16 x 3/4" Setscrew	ST026200AV	ST026200AV	ST026200AV	ST026200AV	1
36	Pulley	PU012700AG	PU012700AG	PU012700AG	PU015200AG	1
37	1/4" - 20 x 1/2" Setscrew	ST012200AV	ST012200AV	ST012200AV	ST012200AV	1
38	Belt	BT020400AV	BT020400AV	BT020400AV	BT020400AV	1
39	Belt guard (front)	BG217800AV	BG217800AV	BG217800AV	BG217800AV	1
40	Plascrew	ST058502AV	ST058502AV	ST058502AV	ST058502AV	1
41	Electric Motor	MC014600AV	MC014600AV	MC083300AV	MC105200AV	1
42	3/16" sq. x 1 1/4" Key	KE000903AV	KE000903AV	KE000903AV	KE000903AV	2
43	5/16" - 18 Hex head screw	ST016000AV	ST016000AV	ST016000AV	ST016000AV	4
44	5/16" Washer	ST011200AV	ST011200AV	ST011200AV	ST011200AV	4
45	5/16" - 18 Locknut	—	—	—	ST146000AV	6
	5/16" - 18 Locknut	—	ST146000AV	ST146000AV	—	8
	5/16" - 18 Locknut	ST146000AV	—	—	ST146000AV	10
46	Regulator	RE206203AV	RE206203AV	RE206203AV	RE206203AV	1
47	1/4" x 1/8" Reducer	ST071407AV	ST071407AV	—	ST071407AV	1
48	Δ Warning decal (3 piece)	DK630300AV	DK630300AV	DK630300AV	DK630300AV	1
49	Δ Inspection port o-ring	ST070191AV	ST070191AV	ST070191AV	ST070161AV	1

(Δ) Not shown

VX831204, VX831404, VX832003 e VX833302

Para Peças de Reposição, telefone para seu concessionário mais próximo

Favor fornecer as seguintes informações:

- Número do modelo
- SNúmero de série (caso haja algum)
- Descrição das peças e número como mostrado na lista de peças

Endereço para pedidos de peças:

The Campbell Group / Attn: Parts Dept.
100 Production Drive
Harrison, OH 45030 U.S.A.

Nº Ref	Descrição	Número das Peças para os Modelos:				Qnt
		VX831204	VX831404	VX832003	VX833302	
1	Tanque	AR040500JJ	AR040500JJ	AR040400BR	AR043400BR	1
2	Torneira de drenagem	D-1401	D-1401	D-1401	D-1401	1
3	Pé	ST162600AV	ST113000AV	ST113000AV	ST162600AV	2
4	Retentor	—	ST063100AV	ST063100AV	—	2
5	Roda de	WA004000AV	WA004000AV	WA004100AV	WA003900AV	2
6	Perno	ST033400AV	—	—	ST033400AV	2
7	Porca de cabeça sextavada	ST033500AV	—	—	ST033500AV	2
8	Alça	HL001801BH	HL001801BH	HL001800BH	HL001801BH	1
9	Parafuso da alça	ST073236AV	ST073236AV	ST073236AV	ST073236AV	1
10	Interruptor de pressão	CW209000AJ	CW209000AJ	CW209300AJ	CW209000AJ	11
11	Aliviador de tensão	CW209600AV	CW209600AV	—	CW209500AV	1
12	Cabo do motor	EC012400AV	EC012400AV	—	EC012800AV	1
13	Parafuso de alívio de tensão	ST209800AV	ST209800AV	—	ST209800AV	1
14	Cabo de alimentação elétrica	EC012500AV	EC012500AV	—	EC012601AV	1
15	Válvula de segurança ASME	V-215105AV	V-215105AV	V-215105AV	V-215105AV	1
16	Niple de 6,4 mm (1/4")	HF002401AV	HF002401AV	HF002401AV	HF002401AV	2
17	Manômetro de Pressão de Saida	GA016300AV	GA016300AV	GA016300AV	GA016300AV	1
18	Manômetro	GA016300AV	GA016300AV	GA016700AV	GA016300AV	1
19	Válvula de descarga	CW210000AV	CW210000AV	CW210000AV	CW210000AV	1
20	Válvula de retenção	CV221502AJ	CV221502AJ	CV221502AJ	CV221502AJ	1
21	Virola	ST067300AV	ST067300AV	ST067300AV	ST067300AV	1
22	Porca de compressão	ST033001AV	ST033001AV	ST033001AV	ST033001AV	1
23	Tubo de descarga	VT043600AP	VT043600AP	VT043600AP	VT043500AP	1
24	Conexão de impulso	ST081301AV	ST081301AV	ST081301AV	ST081301AV	1
25	Tubo descarregador	ST117801AV	ST117801AV	ST117801AV	ST117801AV	1
26	Tampão do canal de óleo de 3,2 mm (1/8")- 27	ST022300AV	ST022300AV	ST022300AV	ST022300AV	1
27	Bomba	VT470000KB	VT470000KB	VT470000KB	VT470000KB	1
28	Parafuso de cabeça sextavada de 7,9 mm (5/16")- 18 x 3,18 cm (1 1/4")	ST012800AV	ST012800AV	ST012800AV	ST016500AV	4
29	Conjunto do conector de compressão	ST018300AV	ST018300AV	ST018300AV	ST018300AV	1
30	Protetor da correia (traseira)	BG217902AV	BG217902AV	BG217902AV	BG217902AV	1
31	Parafuso de rosçamento automático de #10-24 x 7,9 mm (5/16")	ST042400AV	ST042400AV	ST042400AV	ST042400AV	3
32	Parafuso de rosçamento automático de 5mm X 31 mm	ST129303AV	ST129303AV	ST129303AV	ST129303AV	1
33	Volante	PU015900AG	PU015900AG	PU015900AG	PU015900AG	1
34	Chave de 4,8 mm (3/16")	KE000900AV	KE000900AV	KE000900AV	KE000900AV	1
35	Parafuso de aperto 9,5 mm (3/8")- 16 x 19,1 mm (3/4")	ST026200AV	ST026200AV	ST026200AV	ST026200AV	1
36	Polia	PU012700AG	PU012700AG	PU012700AG	PU015200AG	1
37	Parafuso de aperto de 6,4 mm (1/4")- 20 x 12,7 mm (1/2")	ST012200AV	ST012200AV	ST012200AV	ST012200AV	1
38	Correia	BT020400AV	BT020400AV	BT020400AV	BT020400AV	1
39	Protetor da correia (dianteiro)	BG217800AV	BG217800AV	BG217800AV	BG217800AV	1
40	Parafuso	ST058502AV	ST058502AV	ST058502AV	ST058502AV	1
41	Motor elétrico	MC014600AV	MC014600AV	MC083300AV	MC105200AV	1
42	Chave de 4,8 mm (3/16") sq. x 3,18 cm (1 1/4")	KE000903AV	KE000903AV	KE000903AV	KE000903AV	2
43	Parafuso de cabeça sextavada de 7,9 mm (5/16")- 18	ST016000AV	ST016000AV	ST016000AV	ST016000AV	4
44	Arruela de 7,9 mm (5/16")	ST011200AV	ST011200AV	ST011200AV	ST011200AV	4
45	Contraporca de fixação de 7,9 mm (5/16")- 18	—	—	—	ST146000AV	6
	Contraporca de fixação de 7,9 mm (5/16")- 18	—	ST146000AV	ST146000AV	—	8
	Contraporca de fixação de 7,9 mm (5/16")- 18	ST146000AV	—	—	ST146000AV	10
46	Regulador	RE206203AV	RE206203AV	RE206203AV	RE206203AV	1
47	Redutor de 6,4 mm (1/4") x 3,2 mm (1/8")	ST071407AV	ST071407AV	—	ST071407AV	1
48	Δ Decalque de advertência (3 partes)	DK630300AV	DK630300AV	DK630300AV	DK630300AV	1
49	Δ Anel O daida de inspeção	ST070191AV	ST070191AV	ST070191AV	ST070161AV	1

(A) Não apresentados

VT610408, VT612207, VT621203, VT621303, VT627402 y VT910303

Para ordenar repuestos, sírvase llamar al concesionario más cercano a su domicilio

Sírvase darnos la siguiente información:

- Número del modelo
- Número de Serie (de haberlo)
- Descripción y número del repuesto según la lista de repuestos

Puede escribirnos a:

The Campbell Group / Attn: Parts Dept.
100 Production Drive
Harrison, OH 45030 U.S.A.

No. de Ref.	Descripción	Repuestos para los Modelos:						Ctd.
		VT610408	VT612207	VT621203	VT621303	VT627402	VT910303	
1	Tanque	AR040400JJ	AR040500JJ	AR040700JJ	AR040500JJ	AR040500JJ	AR043400JJ	1
2	Llave de salida	D-1401	D-1401	D-1401	D-1401	D-1401	D-1401	1
3	Pata	ST113000AV	ST162600AV	ST162600AV	ST113000AV	ST162600AV	ST162600AV	2
4	Retenedor	ST063100AV	—	—	—	—	—	2
5	Rueda	WA002600AV	WA002500AV	WA002500AV	WA002600AV	WA002500AV	WA002400AV	2
6	Perno del eje	—	ST033400AV	ST033400AV	ST033400AV	ST033400AV	ST033400AV	2
7	Tuerca Hex	—	ST033500AV	ST033500AV	ST033500AV	ST033500AV	ST033500AV	2
8	Mango	HL001801BH	HL001801BH	HL001801BH	HL001801BH	HL001800BH	HL001801BH	1
9	Tornillo del mango	ST073236AV	ST073236AV	ST073236AV	ST073236AV	ST073236AV	ST073236AV	1
10	Presostato	CW209900AJ	CW209900AJ	CW210700AJ	CW210700AJ	CW210700AJ	CW209900AJ	1
11	Relevo de tensión	CW209500AV	CW209500AV	—	—	—	CW209600AV	1
12	Cordón del motor	EC012800AV	EC012800AV	—	—	—	EC012400AV	1
13	Relevo de tensión del tornillo	ST209800AV	ST209800AV	—	—	—	ST209800AV	1
14	Cordón eléctrico	EC012601AV	EC012601AV	—	—	—	EC012500AV	1
15	Válvula de seguridad ASME	V-215105AV	V-215105AV	V-215105AV	V-215105AV	V-215105AV	V-215105AV	1
16	Niple de 6,4 mm (1/4")	HF002401AV	HF002401AV	HF002401AV	HF002401AV	HF002401AV	HF002401AV	3
17	Manómetro de salida	GA016300AV	GA016300AV	GA016300AV	GA016300AV	GA016300AV	GA016300AV	1
18	Manómetro	GA016300AV	GA016300AV	GA016700AV	GA016700AV	GA016700AV	GA016300AV	1
19	Válvula de desfogue	CW210000AV	CW210000AV	CW210000AV	CW210000AV	CW210000AV	CW210000AV	1
20	Válvula de chequeo	CV221502AJ	CV221502AJ	CV221502AJ	CV221502AJ	CV221502AJ	CV221502AJ	1
21	Tapa de compresión	ST067300AV	ST067300AV	ST067300AV	ST067300AV	ST067300AV	ST067300AV	1
22	Tuerca de compresión	ST033001AV	ST033001AV	ST033001AV	ST033001AV	ST033001AV	ST033001AV	1
23	Tubo de descarga	VT043600AP	VT043600AP	VT043600AP	VT043600AP	VT043600AP	VT043500AP	1
24	Ajuste de empuje	ST081301AV	ST081301AV	ST081301AV	ST081301AV	ST081301AV	ST081301AV	1
25	Tubo de desfogue	ST117801AV	ST117801AV	ST117801AV	ST117801AV	ST117801AV	ST117801AV	1
26	Tapon de 3,2 mm (1/8")-27 para el drenaje de aceite	ST022300AV	ST022300AV	ST022300AV	ST022300AV	ST022300AV	ST022300AV	1
27	Cabezal	VT470000KB	VT470000KB	VT470000KB	VT470000KB	VT470000KB	VT470000KB	1
28	Tornillo Hex de 7,9 mm (5/16)-18 x 3,18 cm (1 1/4")	ST012800AV	ST012800AV	ST012800AV	ST012800AV	ST012800AV	—	4
	Tornillo o Hex de 7,9 mm (5/16)-18 x 19,1 mm (3/4")	—	—	—	—	—	ST016000AV	4
29	Ensamblaje de compresión	ST018300AV	ST018300AV	ST018300AV	ST018300AV	ST018300AV	ST018300AV	1
30	Tapa protectora de bandas (posterior)	BG217902AV	BG217902AV	BG217902AV	BG217902AV	BG217902AV	BG217902AV	1
31	Tornillo autorrosante de #10-24 x 7,9 mm (5/16")	ST042400AV	ST042400AV	ST042400AV	ST042400AV	ST042400AV	ST042400AV	3
32	Tornillo autorrosante de 5mm x 31mm	ST129303AV	ST129303AV	ST129303AV	ST129303AV	ST129303AV	ST129303AV	1
33	Volante	PU015900AG	PU015900AG	PU015900AG	PU015900AG	PU015900AG	PU015900AG	1
34	Chaveta de 4,8 mm (3/16")	KE000900AV	KE000900AV	KE000900AV	KE000900AV	KE000900AV	KE000900AV	1
35	Tornillo de 9,5 mm (3/8")-16 x 19,1 mm (3/4")	ST026200AV	ST026200AV	ST026200AV	ST026200AV	ST026200AV	ST026200AV	1
36	Polea	PU012600AG	PU015200AG	PU015200AG	PU012600AG	PU012600AG	PU012600AG	1
37	Tornillo de 6,4 mm (1/4") - 20 x 12,7 mm (1/2")	ST012200AV	ST012200AV	ST012200AV	ST012200AV	ST012200AV	ST012200AV	1
38	Banda	BT020400AV	BT020400AV	BT020400AV	BT020400AV	BT020400AV	BT020400AV	1
39	Tapa protectora de bandas (frontal)	BG217800AV	BG217800AV	BG217800AV	BG217800AV	BG217800AV	BG217800AV	1
40	Tornillo	ST058502AV	ST058502AV	ST058502AV	ST058502AV	ST058502AV	ST058502AV	1
41	Motor eléctrico	MC086900AV	MC086900AV	MC083300AV	MC083300AV	MC083400AV	MC086900AV	1
42	Chaveta de 4,8 mm (3/16") sq x 3,18 cm (1 1/4")	KE000903AV	KE000903AV	KE000903AV	KE000903AV	KE000903AV	KE000903AV	2
43	Tornillo Hex de 5/16 - 18	ST016000AV	ST016000AV	ST016000AV	ST016000AV	ST016000AV	ST016000AV	4
44	Arandela 7,9 mm (5/16")	ST011200AV	ST011200AV	ST011200AV	ST011200AV	ST011200AV	ST011200AV	4
45	Tuerca de 7,9 mm (5/16") - 18	ST146000AV	—	—	—	—	—	8
	Tuerca de 7,9 mm (5/16") - 18	—	ST146000AV	ST146000AV	—	ST146000AV	ST146000AV	10
46	Regulador	RE206203AV	RE206203AV	RE206203AV	RE206203AV	RE206203AV	RE206203AV	1
47	Reductor 6,4 mm (1/4") x 3,2 mm (1/8")	ST071407AV	ST071407AV	—	—	—	ST071407AV	1
48	Etiquetas de advertencia (3)	DK630300AV	DK630300AV	DK630300AV	DK630300AV	DK630300AV	DK630300AV	1
49	Anillo en O (Orificio inspección)	ST070191AV	ST070191AV	ST070191AV	ST070191AV	ST070191AV	ST070191AV	1
(A)	No se muestra							

VX831204, VX831404, VX832003 y VX833302

Para ordenar repuestos, sírvase llamar al concesionario más cercano a su domicilio

Sírvase darnos la siguiente información:

- Número del modelo
- Número de Serie (de haberlo)
- Descripción y número del repuesto según la lista de repuestos

Puede escribirnos a:

The Campbell Group / Attn: Parts Dept.
100 Production Drive
Harrison, OH 45030 U.S.A.

No. de Ref.	Descripción	Repuestos para los Modelos:				Ctd.
		VX831204	VX831404	VX832003	VX833302	
1	Tanque	AR040500JJ	AR040500JJ	AR040400BR	AR043400BR	1
2	Llave de salida	D-1401	D-1401	D-1401	D-1401	1
3	Pata	ST162600AV	ST113000AV	ST113000AV	ST162600AV	2
4	Retenedor	—	ST063100AV	ST063100AV	—	2
5	Rueda	WA004000AV	WA004000AV	WA004100AV	WA003900AV	2
6	Perno del eje	ST033400AV	—	—	ST033400AV	2
7	Tuerca Hex	ST033500AV	—	—	ST033500AV	2
8	Mango	HL001801BH	HL001801BH	HL001801BH	HL001801BH	1
9	Tornillo del mango	ST073236AV	ST073236AV	ST073236AV	ST073236AV	1
10	Presostato	CW209000AJ	CW209000AJ	CW209300AJ	CW209000AJ	1
11	Relevo de tensión	CW209600AV	CW209600AV	—	CW209500AV	1
12	Cordón del motor	EC012400AV	EC012400AV	—	EC012800AV	1
13	Relevo de tensión del tornillo	ST209800AV	ST209800AV	—	ST209800AV	1
14	Cordón eléctrico	EC012500AV	EC012500AV	—	EC012601AV	1
15	Válvula de seguridad ASME	V-215105AV	V-215105AV	V-215105AV	V-215105AV	1
16	Niple de 6,4 mm (1/4")	HF002401AV	HF002401AV	HF002401AV	HF002401AV	2
17	Manómetro de salida	GA016300AV	GA016300AV	GA016300AV	GA016300AV	1
18	Manómetro	GA016300AV	GA016300AV	GA016700AV	GA016300AV	1
19	Válvula de desfogue	CW210000AV	CW210000AV	CW210000AV	CW210000AV	1
20	Válvula de chequeo	CV221502AJ	CV221502AJ	CV221502AJ	CV221502AJ	1
21	Tapa de compresión	ST067300AV	ST067300AV	ST067300AV	ST067300AV	1
22	Tuerca de compresión	ST033001AV	ST033001AV	ST033001AV	ST033001AV	1
23	Tubo de descarga	VT043600AP	VT043600AP	VT043600AP	VT043500AP	1
24	Ajuste de empuje	ST081301AV	ST081301AV	ST081301AV	ST081301AV	1
25	Tubo de desfogue	ST117801AV	ST117801AV	ST117801AV	ST117801AV	1
26	Tapón de 3,2 mm (1/8") - 27 para el drenaje de aceite	ST022300AV	ST022300AV	ST022300AV	ST022300AV	1
27	Cabezal	VT470000KB	VT470000KB	VT470000KB	VT470000KB	1
28	Tornillo Hex de 7,9 mm (5/16")-18 x 3,18 cm (1 1/4")	ST012800AV	ST012800AV	ST012800AV	ST016500AV	4
29	Ensamblaje de compresión	ST018300AV	ST018300AV	ST018300AV	ST018300AV	1
30	Tapa protectora de bandas (posterior)	BG217902AV	BG217902AV	BG217902AV	BG217902AV	1
31	Tornillo autorrosante de #10 - 24 x 7,9 mm (5/16")	ST042400AV	ST042400AV	ST042400AV	ST042400AV	3
32	Tornillo autorrosante de 5mm x 31mm	ST129303AV	ST129303AV	ST129303AV	ST129303AV	1
33	Volante	PU015900AG	PU015900AG	PU015900AG	PU015900AG	1
34	Chaveta de 4,8 mm (3/16")	KE000900AV	KE000900AV	KE000900AV	KE000900AV	1
35	Tornillo de 9,5 mm (3/8") - 16 x 19,1 mm (3/4")	ST026200AV	ST026200AV	ST026200AV	ST026200AV	1
36	Polea	PU012700AG	PU012700AG	PU012700AG	PU015200AG	1
37	Tornillo de 6,4 mm (1/4") - 20 x 12,7 mm (1/2")	ST012200AV	ST012200AV	ST012200AV	ST012200AV	1
38	Banda	BT020400AV	BT020400AV	BT020400AV	BT020400AV	1
39	Tapa protectora de bandas (frontal)	BG217800AV	BG217800AV	BG217800AV	BG217800AV	1
40	Tornillo	ST058502AV	ST058502AV	ST058502AV	ST058502AV	1
41	Motor eléctrico	MC014600AV	MC014600AV	MC083300AV	MC105200AV	1
42	Chaveta de 4,8 mm (3/16") sq. x 3,18 cm (1 1/4")	KE000903AV	KE000903AV	KE000903AV	KE000903AV	2
43	Tornillo Hex de 7,9 mm (5/16") - 18	ST016000AV	ST016000AV	ST016000AV	ST016000AV	4
44	Arandela 7,9 mm (5/16")	ST011200AV	ST011200AV	ST011200AV	ST011200AV	4
45	Tuerca de 7,9 mm (5/16") - 18	—	—	—	ST1146000AV	6
	Tuerca de 7,9 mm (5/16") - 18	—	ST1146000AV	ST1146000AV	—	8
	Tuerca de 7,9 mm (5/16") - 18	ST1146000AV	—	—	ST1146000AV	10
46	Regulador	RE206203AV	RE206203AV	RE206203AV	RE206203AV	1
47	Reductor 6,4 mm (1/4") x 3,2 mm (1/8")	ST071407AV	ST071407AV	—	ST071407AV	1
48	Δ Etiquetas de advertencia (3)	DK630300AV	DK630300AV	DK630300AV	DK630300AV	1
49	Δ Anillo en O (Grificio inspección)	ST070191AV	ST070191AV	ST070191AV	ST070161AV	1

(Δ) No se muestra

VT610408, VT612207, VT621203, VT621303, VT627402 e VT910303

Para Peças de Reposição, telefone para seu concessionário mais próximo

Favor fornecer as seguintes informações:

- Número do modelo
- SNúmero de série (caso haja algum)
- Descrição das peças e número como mostrado na lista de peças

Endereço para pedidos de peças:

The Campbell Group / Attn: Parts Dept.
100 Production Drive
Harrison, OH 45030 U.S.A.

Nº Ref	Descrição	Número das Peças para os Modelos:					Qt	
		VT610408	VT612207	VT621203	VT621303	VT627402		VT910303
1	Tanque	AR044000J	AR040500J	AR040700J	AR040500J	AR040500J	AR043400J	1
2	Torneira de drenagem	D-1401	D-1401	D-1401	D-1401	D-1401	D-1401	1
3	Pé	ST113000AV	ST162600AV	ST162600AV	ST113000AV	ST162600AV	ST162600AV	2
4	Retentor	ST063100AV	—	—	—	—	—	2
5	Roda de	WA004100AV	WA004000AV	WA004000AV	WA004000AV	WA004000AV	WA003900AV	2
6	Perno	—	ST033400AV	ST033400AV	ST033400AV	ST033400AV	ST033400AV	2
7	Porca de cabeça sextavada	—	ST033500AV	ST033500AV	ST033500AV	ST033500AV	ST033500AV	2
8	Alca	HL001801BH	HL001801BH	HL001801BH	HL001801BH	HL001801BH	HL001801BH	1
9	Parafuso de alca	ST073236AV	ST073236AV	ST073236AV	ST073236AV	ST073236AV	ST073236AV	1
10	Interruptor de pressão	CW209000AJ	CW209000AJ	CW210700AJ	CW210700AJ	CW210700AJ	CW209000AJ	1
11	Aliviador de tensão	CW209500AV	CW209500AV	—	—	—	CW209600AV	1
12	Cabo do motor	EC012800AV	EC012800AV	—	—	—	EC012400AV	1
13	Parafuso de alívio de tensão	ST209800AV	ST209800AV	—	—	—	ST209800AV	1
14	Cabo de alimentação elétrica	EC012601AV	—	—	—	—	EC012500AV	1
15	Válvula de segurança ASME	V-215105AV	V-215105AV	V-215105AV	V-215105AV	V-215105AV	V-215105AV	1
16	Niple de 6,4 mm (1/4")	HF002401AV	HF002401AV	HF002401AV	HF002401AV	HF002401AV	HF002401AV	3
17	Manômetro de Pressão de Saída	GA016300AV	GA016300AV	GA016300AV	GA016300AV	GA016300AV	GA016300AV	1
18	Manômetro	GA016300AV	GA016300AV	GA016700AV	GA016700AV	GA016700AV	GA016300AV	1
19	Válvula de descarga	CW210000AV	CW210000AV	CW210000AV	CW210000AV	CW210000AV	CW210000AV	1
20	Válvula de retenção	CV221502AJ	CV221502AJ	CV221502AJ	CV221502AJ	CV221502AJ	CV221502AJ	1
21	Virola	ST067300AV	ST067300AV	ST067300AV	ST067300AV	ST067300AV	ST067300AV	1
22	Porca de compressão	ST033001AV	ST033001AV	ST033001AV	ST033001AV	ST033001AV	ST033001AV	1
23	Tubo de descarga	VT043600AP	VT043600AP	VT043600AP	VT043600AP	VT043600AP	VT043600AP	1
24	Conexão de impulso	ST081301AV	ST081301AV	ST081301AV	ST081301AV	ST081301AV	ST081301AV	1
25	Tubo descarregador	ST117801AV	ST117801AV	ST117801AV	ST117801AV	ST117801AV	ST117801AV	1
26	Tampão do canal de óleo de 3,2 mm (1/8")-27	ST022300AV	ST022300AV	ST022300AV	ST022300AV	ST022300AV	ST022300AV	1
27	Bomba	VT470000KB	VT470000KB	VT470000KB	VT470000KB	VT470000KB	VT470000KB	1
28	Parafuso de cabeça sextavada de 7,9 mm (5/16")-18 x 3,18 cm (1 1/4")	ST012800AV	ST012800AV	ST012800AV	ST012800AV	ST012800AV	—	4
	Parafuso de cabeça sextavada de 7,9 mm (5/16")-18 x 19,1 mm (3/4")	—	—	—	—	—	ST016000AV	4
29	Conjunto do conector de compressão	ST018300AV	ST018300AV	ST018300AV	ST018300AV	ST018300AV	ST018300AV	1
30	Protetor da correia (traseira)	BG217902AV	BG217902AV	BG217902AV	BG217902AV	BG217902AV	BG217902AV	1
31	Parafuso de rosçamento automático de #10-24 x 7,9 mm (5/16")	ST042400AV	ST042400AV	ST042400AV	ST042400AV	ST042400AV	ST042400AV	3
32	Parafuso de rosçamento automático de 5mm x 31mm	ST129303AV	ST129303AV	ST129303AV	ST129303AV	ST129303AV	ST129303AV	1
33	Voilante	PU015900AG	PU015900AG	PU015900AG	PU015900AG	PU015900AG	PU015900AG	1
34	Chave de 4,8 mm (3/16")	KE000900AV	KE000900AV	KE000900AV	KE000900AV	KE000900AV	KE000900AV	1
35	Parafuso de aperto 9,5 mm (3/8")-16 x 19,1 mm (3/4")	ST026200AV	ST026200AV	ST026200AV	ST026200AV	ST026200AV	ST026200AV	1
36	Polia	PU012600AG	PU015200AG	PU012600AG	PU012600AG	PU012600AG	PU015200AG	1
37	Parafuso de aperto de 6,4 mm (1/4")-20 x 12,7 mm (1/2")	ST012200AV	ST012200AV	ST012200AV	ST012200AV	ST012200AV	ST012200AV	1
38	Correia	BT020400AV	BT020400AV	BT020400AV	BT020400AV	BT020400AV	BT020400AV	4
39	Protetor da correia (dianteiro)	BG217800AV	BG217800AV	BG217800AV	BG217800AV	BG217800AV	BG217800AV	1
40	Parafuso	ST058502AV	ST058502AV	ST058502AV	ST058502AV	ST058502AV	ST058502AV	1
41	Motor elétrico	MC006900AV	MC006900AV	MC083300AV	MC083300AV	MC083400AV	MC006900AV	1
42	Chave de 4,8 mm (3/16") sq. x 3,18 cm (1 1/4")	KE000903AV	KE000903AV	KE000903AV	KE000903AV	KE000903AV	KE000903AV	2
43	Parafuso de cabeça sextavada de 7,9 mm (5/16")-18	ST016000AV	ST016000AV	ST016000AV	ST016000AV	ST016000AV	ST016000AV	4
44	Arruela de 7,9 mm (5/16")	ST011200AV	ST011200AV	ST011200AV	ST011200AV	ST011200AV	ST011200AV	4
45	Contraporca de fixação de 7,9 mm (5/16")-18	ST146000AV	—	—	ST146000AV	—	—	8
	Contraporca de fixação de 7,9 mm (5/16")-18	—	ST146000AV	ST146000AV	—	ST146000AV	ST146000AV	10
46	Regulador	RE206203AV	RE206203AV	RE206203AV	RE206203AV	RE206203AV	RE206203AV	1
47	Redutor de 6,4 mm (1/4") x 3,2 mm (1/8")	ST071407AV	ST071407AV	—	—	—	ST071407AV	1
48	Δ Decalque de advertência (3 partes)	DK630300AV	DK630300AV	DK630300AV	DK630300AV	DK630300AV	DK630300AV	1
49	Δ Anel O daída de inspeção	ST070191AV	ST070191AV	ST070191AV	ST070191AV	ST070191AV	ST070161AV	1

(A) Não apresentados