

Para Ordenar Repuestos o Asistencia Técnica, Sírvase Llamar al Distribuidor Más Cercano a Su Domicilio

Sírvase suministrar la siguiente información:
 -Número del modelo
 -Número de Serie (de haberlo)
 -Descripción y número del repuesto según la lista de repuestos

Dirija toda la correspondencia a:
 Campbell Hausfeld
 Attn: Customer Service
 100 Production Drive
 Harrison, Ohio 45030

| No. de Ref. | Descripción | Número del Repuesto | Ctd. |
|-------------|------------------------------------------|---------------------|------|
| 1 | Tapa de salida | SV461700AV | 1 |
| 2 | Perno de cabeza hex. | SV390100AV | 4 |
| 3 | Arandela de resorte | SV390200AV | 6 |
| 4 | Ensamble de la tapa del cilindro | SV461800AV | 1 |
| 5 | Sello | □, ○ | 1 |
| 6 | Anillo en O | □, ○ | 1 |
| 7 | Revestimiento interno | SV463400AV | 1 |
| 8 | Anillo en O | □, ◆ | 1 |
| 9 | Resorte | ◆ | 1 |
| 10 | Válvula de culata del pistón | ◆ | 1 |
| 11 | Anillo en O | □, ◆ | 1 |
| 12 | Anillo en O | □, ◆ | 1 |
| 13 | Anillo en O | □, ◆ | 1 |
| 14 | Anillo en O | □, ○, ● | 1 |
| 15 | Pistón | ● | 1 |
| 16 | Pasador del pistón | ● | 1 |
| 17 | Álabe del impulsor | ● | 1 |
| 18 | Anillo de revestimiento | SV464500AV | 1 |
| 19 | Anillo en O | □, ○ | 1 |
| 20 | Anillo en O | □, ○ | 1 |
| 21 | Cilindro | SV464800AV | 1 |
| 22 | Protector | SV464900AV | 1 |
| 23 | Empaque | SV465000AV | 1 |
| 24 | Cuerpo | SV472000AV | 1 |
| 25 | Boquilla | SV392200AV | 1 |
| 26 | Sello | ■, □ | 1 |
| 27 | Parte superior de la válvula | SV383900AV | 1 |
| 28 | Resorte de compresión | ■ | 1 |
| 29 | Anillo en O | ■, □ | 2 |
| 30 | Vástago de la válvula | SV392700AV | 1 |
| 31 | Parte inferior de la válvula | SV392900AV | 1 |
| 32 | Anillo en O | ■, □ | 1 |
| 33 | Resorte de compresión | ▼ | 1 |
| 34 | Placa del gatillo | ▼ | 1 |
| 35 | Pasador | ▼ | 1 |
| 36 | Gatillo | ▼ | 1 |
| 37 | Pasador del gatillo | ▼ | 1 |
| 38 | Anillo en O | ▼, □ | 1 |
| 39 | Pasador | SV465700AV | 1 |
| 40 | Guía del elemento de contacto de trabajo | SV465800AV | 1 |
| 41 | Elemento de contacto | SV465900AV | 1 |
| 42 | Resorte | SV466000AV | 1 |
| 43 | Almohadilla de goma | SV466100AV | 1 |
| 44 | Cubierta de la boquilla | SV472200AV | 1 |
| 45 | Placa espaciadora | SV462900AV | 1 |

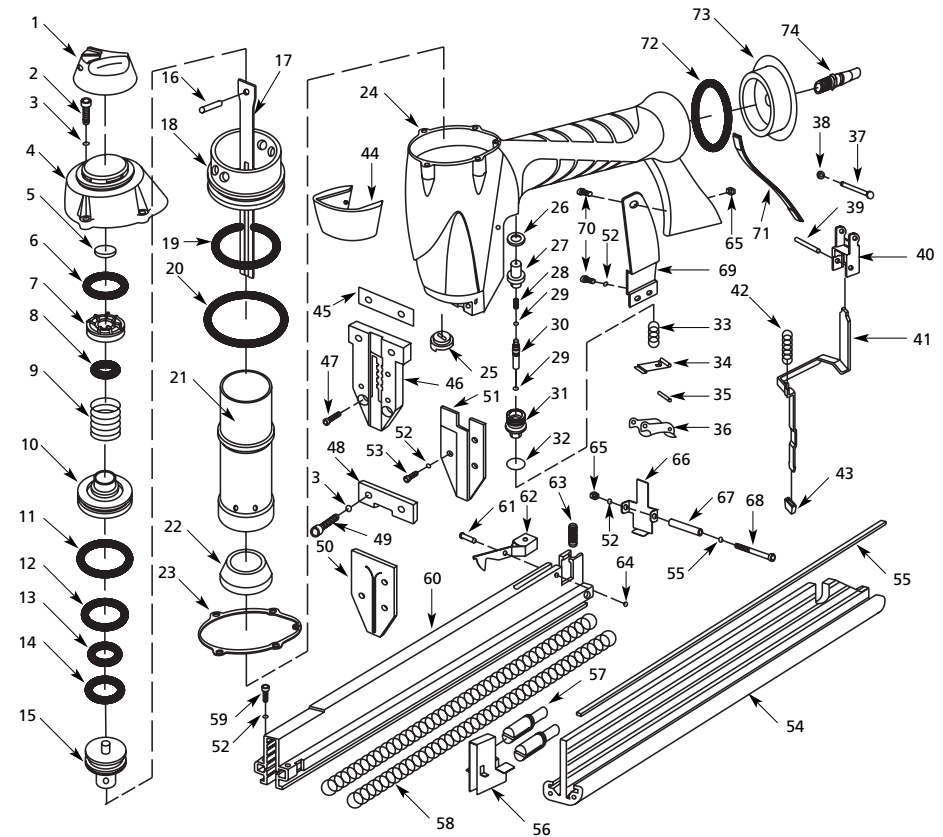
| No. de Ref. | Descripción | Número del Repuesto | Ctd. |
|----------------------------|---------------------------------------------|---------------------|------|
| 46 | Guía del impulsor | SV394600AV | 1 |
| 47 | Perno de cabeza hex. | SV394700AV | 2 |
| 48 | Separador | SV466200AV | 1 |
| 49 | Perno de cabeza hex. | SV466300AV | 2 |
| 50 | Cubierta de la guía del impulsor | SV394500AV | 1 |
| 51 | Cubierta del elemento de contacto | SV466400AV | 1 |
| 52 | Arandela de resorte | SV394200AV | 5 |
| 53 | Perno de cabeza hex. | SV394300AV | 3 |
| 54 | Cargador | SV466500AV | 1 |
| 55 | Barra de acero | SV466600AV | 1 |
| 56 | Elemento de empuje | ▲ | 1 |
| 57 | SopORTE del resorte | ▲ | 2 |
| 58 | Resorte del impulsor | ▲ | 2 |
| 59 | Perno de cabeza hex. | SV467000AV | 1 |
| 60 | Cubierta del cargador | SV467200AV | 1 |
| 61 | Pasador de retención | SV395900AV | 1 |
| 62 | Botón de seguro | SV396000AV | 1 |
| 63 | Resorte de compresión | SV467300AV | 1 |
| 64 | Anillo en O | □ | 1 |
| 65 | Tuerca de seguridad | SV396600AV | 1 |
| 66 | Cubierta trasera | SV396500AV | 1 |
| 67 | Pasador del cilindro | SV396400AV | 1 |
| 68 | Perno de cabeza hex. | SV396300AV | 1 |
| 69 | Gancho para colgar | SV462100AV | 1 |
| 70 | Perno de cabeza hex. | SV467500AV | 3 |
| 71 | Cubierta de goma del reborde | SV467700AV | 1 |
| 72 | Anillo en O | SV462200AV | 1 |
| 73 | Tapa lateral | SV472100AV | 1 |
| 74 | Tapón de aire | HF001300AV | 1 |
| 75 | ▲ Llave hexagonal, 4 mm | SV109400AV | 1 |
| 76 | ▲ Llave hexagonal, 3 mm | SV109300AV | 1 |
| 77 | ▲ Etiqueta de advertencia | DK558900AV | 1 |
| 78 | ▲ Etiqueta del nombre | DK587000AV | 1 |
| 79 | ▲ Etiqueta del cargador | DK558400AV | 1 |
| JUEGOS DE REPUESTOS | | | |
| ▲ | Ensamble del disparador | SV467800AV | |
| ■ | Anillos en O del gatillo | SV467900AV | |
| ● | Juego de piezas del impulsor | SV462400AV | |
| ◆ | Ensamble del pistón (válvula de la culata) | SV468000AV | |
| ▼ | Ensamble del gatillo | SV468100AV | |
| □ | Juego completo de anillos en O de repuestos | DK472300AV | |
| ○ | Juego de anillo en O del pistón | DK472400AV | |
| (Δ) | No se muestra | | |



**2-in-1 Nailer/Stapler
 Cloueuse/agrafeuse 2-en-1
 Clavadora/Engrapadora 2-en-1**

Replacement Parts Manual
 Manuel de Pièces de Rechange
 Lista de Repuestos

IFN23201



For Replacement Parts or Technical Assistance, call 1-800-543-6400

Please provide following information:

- Model number
- Serial number (if any)
- Part description and number as shown in parts list

Address any correspondence to:

Campbell Hausfeld
Attn: Customer Service
100 Production Drive
Harrison, Ohio 45030

| Ref. No. | Description | Part Number | Qty. |
|----------|----------------------------|-------------|------|
| 1 | Exhaust cap | SV461700AV | 1 |
| 2 | Hex. socket head bolt | SV390100AV | 4 |
| 3 | Spring washer | SV390200AV | 6 |
| 4 | Cylinder cap assembly | SV461800AV | 1 |
| 5 | Seal | □, ○ | 1 |
| 6 | O-ring | □, ○ | 1 |
| 7 | Internal lining | SV463400AV | 1 |
| 8 | O-ring | □, ◆ | 1 |
| 9 | Spring | ◆ | 1 |
| 10 | Head piston valve | ◆ | 1 |
| 11 | O-ring | □, ◆ | 1 |
| 12 | O-ring | □, ◆ | 1 |
| 13 | O-ring | □, ◆ | 1 |
| 14 | O-ring | □, ○, ● | 1 |
| 15 | Piston | ● | 1 |
| 16 | Piston pin | ● | 1 |
| 17 | Driver blade | ● | 1 |
| 18 | Lining ring | SV464500AV | 1 |
| 19 | O-ring | □, ○ | 1 |
| 20 | O-ring | □, ○ | 1 |
| 21 | Cylinder | SV464800AV | 1 |
| 22 | Bumper | SV464900AV | 1 |
| 23 | Gasket | □ | 1 |
| 24 | Body | SV472000AV | 1 |
| 25 | Nozzle | SV392200AV | 1 |
| 26 | Seal | ■, □ | 1 |
| 27 | Valve body (upper) | SV383900AV | 1 |
| 28 | Compression spring | ■ | 1 |
| 29 | O-ring | ■, □ | 2 |
| 30 | Valve stem | SV392700AV | 1 |
| 31 | Valve body (lower) | SV392900AV | 1 |
| 32 | O-ring | ■, □ | 1 |
| 33 | Compression spring | ▼ | 1 |
| 34 | Trigger plate | ▼ | 1 |
| 35 | Pin | ▼ | 1 |
| 36 | Trigger | ▼ | 1 |
| 37 | Trigger pin | ▼ | 1 |
| 38 | O-ring | ▼, □ | 1 |
| 39 | Roll pin | SV465700AV | 1 |
| 40 | Work contact element guide | SV465800AV | 1 |
| 41 | Work contact element | SV465900AV | 1 |
| 42 | Spring | SV466000AV | 1 |
| 43 | Rubber pad | SV466100AV | 1 |
| 44 | Nozzle shield | SV472200AV | 1 |
| 45 | Spacer plate | SV462900AV | 1 |

| Ref. No. | Description | Part Number | Qty. |
|------------------------------|----------------------------|-------------|------|
| 46 | Driver guide | SV394600AV | 1 |
| 47 | Hex. socket head bolt | SV394700AV | 2 |
| 48 | Spacer | SV466200AV | 1 |
| 49 | Hex socket head bolt | SV466300AV | 2 |
| 50 | Driver guide cover | SV394500AV | 1 |
| 51 | Work contact element cover | SV466400AV | 1 |
| 52 | Spring washer | SV394200AV | 5 |
| 53 | Hex socket head bolt | SV394300AV | 3 |
| 54 | Magazine | SV466500AV | 1 |
| 55 | Steel bar | SV466600AV | 1 |
| 56 | Pusher unit | ▲ | 1 |
| 57 | Spring holder | ▲ | 2 |
| 58 | Pusher spring | ▲ | 2 |
| 59 | Hex socket head bolt | SV467000AV | 1 |
| 60 | Magazine cover | SV467200AV | 1 |
| 61 | Retainer pin | SV395900AV | 1 |
| 62 | Latch button | SV396000AV | 1 |
| 63 | Compression spring | SV467300AV | 1 |
| 64 | O-ring | □ | 1 |
| 65 | Lock nut | SV396600AV | 1 |
| 66 | Tail cover | SV396500AV | 1 |
| 67 | Cylinder pin | SV396400AV | 1 |
| 68 | Hex. socket head bolt | SV396300AV | 1 |
| 69 | Tail hanger | SV462100AV | 1 |
| 70 | Hex. socket head bolt | SV467500AV | 3 |
| 71 | Rubber tail cover | SV467700AV | 1 |
| 72 | O-ring | □ | 1 |
| 73 | End cap | SV472100AV | 1 |
| 74 | Air plug | HF001300AV | 1 |
| 75 | Δ 4 mm Hex. wrench | SV109400AV | 1 |
| 76 | Δ 3 mm Hex. wrench | SV109300AV | 1 |
| 77 | Δ Warning decal | DK558900AV | 1 |
| 78 | Δ Name decal | DK587000AV | 1 |
| 79 | Δ Magazine decal | DK558400AV | 1 |
| REPLACEMENT PART KITS | | | |
| ▲ | Pusher assembly | SV467800AV | |
| ■ | Trigger o-ring kit | SV467900AV | |
| ● | Driver kit | SV462400AV | |
| ◆ | Head valve piston kit | SV468000AV | |
| ▼ | Trigger assembly | SV468100AV | |
| □ | Complete o-ring kit | SV472300AV | |
| ○ | Piston o-ring kit | SV472400AV | |
| (Δ) | Not shown | | |

Pour Pièces de Rechange ou assistance technique, appeler 1-800-543-6400

S'il vous plaît fournir l'information suivante:

- Numéro de Modèle
- Numéro de série (si présent)
- Description et numéro de la pièce

Adresser toute correspondance à :

Campbell Hausfeld
Attn: Customer Service
100 Production Drive
Harrison, Ohio 45030

| N° de Réf. | Description | N° de Pièce | Qté. |
|------------|---------------------------------|-------------|------|
| 1 | Chapeau d'échappement | SV461700AV | 1 |
| 2 | Boulon barillet hex | SV390100AV | 4 |
| 3 | Rondelle élastique | SV390200AV | 6 |
| 4 | Montage du capuchon du cylindre | SV461800AV | 1 |
| 5 | Joint | □, ○ | 1 |
| 6 | Joint torique | □, ○ | 1 |
| 7 | Doublure intérieure | SV463400AV | 1 |
| 8 | Joint torique | □, ◆ | 1 |
| 9 | Ressort | ◆ | 1 |
| 10 | Soupape de tête de piston | ◆ | 1 |
| 11 | Joint torique | □, ◆ | 1 |
| 12 | Joint torique | □, ◆ | 1 |
| 13 | Joint torique | □, ◆ | 1 |
| 14 | Joint torique | □, ○, ● | 1 |
| 15 | Piston | ● | 1 |
| 16 | Goupille de piston | ● | 1 |
| 17 | Lame d'entraînement | ● | 1 |
| 18 | Bague de doublure | SV464500AV | 1 |
| 19 | Joint torique | □, ○ | 1 |
| 20 | Joint torique | □, ○ | 1 |
| 21 | Cylindre | SV464800AV | 1 |
| 22 | Pare-chocs | SV464900AV | 1 |
| 23 | Joint d'étanchéité | □ | 1 |
| 24 | Corps | SV472000AV | 1 |
| 25 | Buse | SV392200AV | 1 |
| 26 | Joint | ■, □ | 1 |
| 27 | Corps de soupape (supérieure) | SV383900AV | 1 |
| 28 | Ressort de compression | ■ | 1 |
| 29 | Joint torique | ■, □ | 2 |
| 30 | Tige de soupape | SV392700AV | 1 |
| 31 | Corps de soupape (Inférieure) | SV392900AV | 1 |
| 32 | Joint torique | ■, □ | 1 |
| 33 | Ressort de compression | ▼ | 1 |
| 34 | Plaque de gâchette | ▼ | 1 |
| 35 | Goupille | ▼ | 1 |
| 36 | Gâchette | ▼ | 1 |
| 37 | Goupille de gâchette | ▼ | 1 |
| 38 | Joint torique | ▼, □ | 1 |
| 39 | Goupille-ressort | SV465700AV | 1 |
| 40 | Guide de pointe de contact | SV465800AV | 1 |
| 41 | Pointe de contact | SV465900AV | 1 |
| 42 | Ressort | SV466000AV | 1 |
| 43 | Patin de caoutchouc | SV466100AV | 1 |
| 44 | Écran de buse | SV472200AV | 1 |
| 45 | Plaque entretoise | SV462900AV | 1 |

| N° de Réf. | Description | N° de Pièce | Qté. |
|------------------------------------------|-----------------------------------------|-------------|------|
| 46 | Guide d'entraînement | SV394600AV | 1 |
| 47 | Boulon barillet hex | SV394700AV | 2 |
| 48 | Entretoise | SV466200AV | 1 |
| 49 | Boulon barillet hex | SV466300AV | 2 |
| 50 | Couvercle du guide d'entraînement | SV394500AV | 1 |
| 51 | Couvercle d'élément de contact | SV466400AV | 1 |
| 52 | Rondelle élastique | SV394200AV | 5 |
| 53 | Boulon barillet hex | SV394300AV | 3 |
| 54 | Chargeur | SV466500AV | 1 |
| 55 | Barre d'acier | SV466600AV | 1 |
| 56 | Élément poussoir | ▲ | 1 |
| 57 | Porte ressort | ▲ | 2 |
| 58 | Ressort poussoir | ▲ | 2 |
| 59 | Boulon barillet hex | SV467000AV | 1 |
| 60 | Couvercle de chargeur | SV467200AV | 1 |
| 61 | Goupille de fixation | SV395900AV | 1 |
| 62 | Bouton de verrou | SV396000AV | 1 |
| 63 | Ressort de compression | SV467300AV | 1 |
| 64 | Joint torique | □ | 1 |
| 65 | Écrou de serrage | SV396600AV | 1 |
| 66 | Couvercle de talon | SV396500AV | 1 |
| 67 | Goupille du cylindre | SV396400AV | 1 |
| 68 | Boulon barillet hex | SV396300AV | 1 |
| 69 | Crochet de talon | SV462100AV | 1 |
| 70 | Boulon barillet hex | SV467500AV | 3 |
| 71 | Couvercle de talon de caoutchouc | SV467700AV | 1 |
| 72 | Joint torique | □ | 1 |
| 73 | Embout | SV472100AV | 1 |
| 74 | Bouchon d'air | HF001300AV | 1 |
| 75 | Δ Clé hexagonale de 4 mm | SV109400AV | 1 |
| 76 | Δ Clé hexagonale de 3 mm | SV109300AV | 1 |
| 77 | Δ Décal d'avertissement | DK558900AV | 1 |
| 78 | Δ Décal du nom | DK587000AV | 1 |
| 79 | Δ Décal du chargeur | DK558400AV | 1 |
| NÉCESSAIRES DE PIÈCES DE RECHANGE | | | |
| ▲ | Poussoir équipé | SV467800AV | |
| ■ | Nécessaire de joint torique de gâchette | SV467900AV | |
| ● | Nécessaire d'entraînement | SV462400AV | |
| ◆ | Nécessaire de soupape de tête de piston | SV468000AV | |
| ▼ | Gâchette équipée | SV468100AV | |
| □ | Nécessaire complet de joints toriques | SV472300AV | |
| ○ | Nécessaire de joint torique de piston | SV472400AV | |
| (Δ) | Pas indiqué | | |