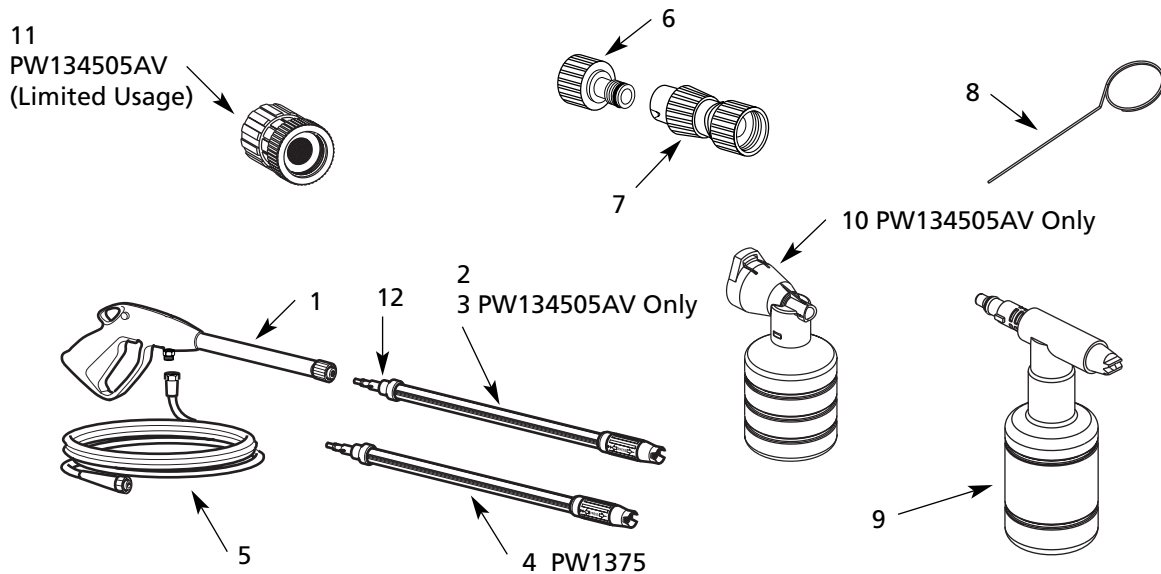


Replacement Parts List

Models PW1345, PW1375

For parts, products & service information visit
POWER XPERT
www.chpower.com



For Replacement Parts, Call 1-800-330-0712

Please provide following information:

- Model number
- Serial number (if any)
- Part description and number as shown in parts list

Address parts correspondence to:
Campbell Group/Parts Department
100 Production Drive
Harrison, OH 45030

Ref. No.	Description	Part Number	Qty.
1	Gun	PM037201AV	1
2	Lance, 1.15 Adjustable (Yellow)	PM035101AV	1
3	Lance, 1.15 Adjustable S99 (Yellow)	PM231700SV	1
4	Lance, 1.15 Rotary (Yellow)	PM022621AV	1
5	High Pressure Hose	PM012902AV	1
6	Quick Connect Fitting	PM020600SV	1
7	Nipple Adapter	PM022100AV	1
8	Tip Cleaner	PM008500AV	1
9	Detergent Applicator	PM014700SV	1
10	Detergent Applicator (Foam Lance)	PM231600SV	1
11	Garden Hose Adapter	PM231500AV	1
	Order Service Kit (Includes items 6 and 7)	PM235400SJ	1