

Operating Instructions

HG3000 Series, HJ3001 Series, HJ3002 Series

Please read and save these instructions. Read carefully before attempting to assemble, install, operate or maintain the product described. Protect yourself and others by observing all safety information. Failure to comply with instructions could result in personal injury and/or property damage! Retain instructions for future reference.



200 PSI Portable ASME Air Compressors

Description

Portable oilless air compressors are for home and workshop use. Cleaning or replacement of the inlet filter on all models and draining moisture from the air receivers are required maintenance.

Safety Guidelines

This manual contains information that is very important to know and understand. This information is provided for SAFETY and to PREVENT EQUIPMENT PROBLEMS. To help recognize this information, observe the following symbols.

⚠ DANGER Danger indicates an imminently hazardous situation which, if not avoided, WILL result in death or serious injury.

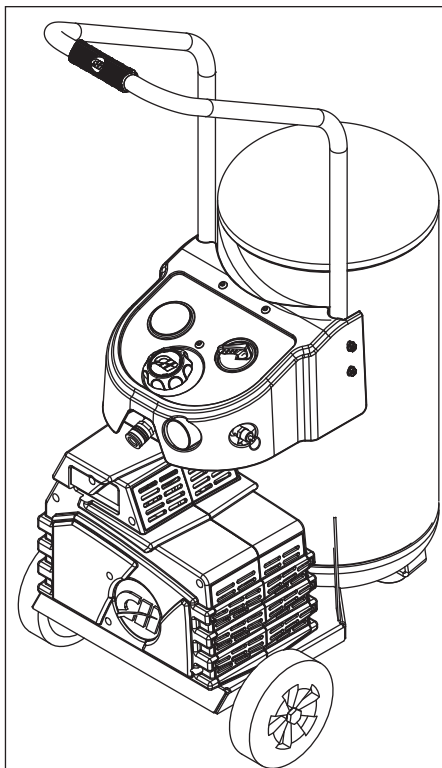
⚠ WARNING Warning indicates a potentially hazardous situation which, if not avoided, COULD result in death or serious injury.

⚠ CAUTION Caution indicates a potentially hazardous situation which, if not avoided, MAY result in minor or moderate injury.

NOTICE Notice indicates important information, that if not followed, may cause damage to equipment.

Unpacking

When unpacking unit, inspect carefully for any damage that may have occurred during transit. Make sure any loose fittings, bolts, etc., are tightened before putting unit into service. In case of questions, damaged or missing parts, please call 1-800-543-6400 for customer assistance. Have the serial number, model number, and parts list (with missing parts circled) before calling.



Record the Model No., Serial No. and date of purchase in the space below.

Model No. _____

Serial No. _____

Date of purchase _____

Retain these numbers for future reference.

⚠ DANGER

Breathable Air Warning

This compressor/pump is not equipped and should not be used "as is" to supply breathing quality air. For any application of air for human consumption, the air compressor/pump will need to be fitted with suitable in-line safety and alarm equipment. This additional equipment is necessary to properly filter and purify the air to meet minimal specifications for Grade D breathing as described in Compressed Gas Association Commodity Specification G 7.1 - 1966, OSHA 29 CFR 1910.134, and/or Canadian Standards Associations (CSA).

DISCLAIMER OF WARRANTIES
In the event the compressor is used for the purpose of breathing air application and proper in-line safety and alarm equipment is not simultaneously used, existing warranties shall be voided, and the Campbell Hausfeld disclaims any liability whatsoever for any loss, personal injury or damage.



DO NOT RETURN THE PRODUCT TO THE RETAILER!

⚠ WARNING Do not operate unit if damaged during shipping, handling or use. Damage may result in bursting and cause injury or property damage.

**READ & FOLLOW ALL INSTRUCTIONS
SAVE THESE INSTRUCTIONS
DO NOT DISCARD**

**REMINDER: Keep your dated proof of purchase for warranty purposes!
Attach it to this manual or file it for safekeeping.**

General Safety

CALIFORNIA PROPOSITION 65

▲ WARNING *This product or its power cord may contain chemicals, including lead, known to the State of California to cause cancer and birth defects or other reproductive harm. Wash hands after handling.*

▲ WARNING *You can create dust when you cut, sand, drill or grind materials such as wood, paint, metal, concrete, cement, or other masonry. This dust often contains chemicals known to cause cancer, birth defects, or other reproductive harm. Wear protective gear.*



GENERAL SAFETY INFORMATION

Air compressors are utilized in a variety of air system applications. Because air compressors and other components (material pump, spray gun, filters, lubrications, hoses, etc.) used make up a high pressure pumping system, the following safety precautions should be observed at all times. Only persons well acquainted with these rules of safe operation should be allowed to use the air compressor.

▲ CAUTION *Risk of Bursting! This compressor is designed to provide air pressure up to 200 psi. Most attachments are designed to operate at a maximum pressure of less than 125 psi. DO NOT adjust the regulator to result in output pressure greater than the marked maximum pressure of the attachment.*



▲ WARNING *Risk of Injury! Do not direct air stream at body.*

▲ WARNING *All electrical work should be done by a qualified (licensed or certified) electrician. On a properly wired circuit, the black wires supply a voltage potential even when the unit is off.*



1. Read instruction manuals for each component carefully, before attempting to assemble, disassemble or operate your particular system.

2. Wear safety glasses and use hearing protection when operating the pump or unit.



3. Do not stand on or use the pump or unit as a handhold.
4. Do not exceed pressure rating of any component in system.
5. Protect material lines and air lines from damage or puncture. Keep hose and power cable away from sharp objects, chemical spills, oil, solvents, and wet floors.
6. Never point a spray gun at oneself or any other person. Accidental discharge may result in serious injury.
7. Check hoses for weak or worn condition, before each use, making certain all connections are secure; do not use if deficiency is found. Notify an authorized service facility for examination or repair.

▲ WARNING *Do not run unattended. Leaving compressor in ON position may allow it to turn on inadvertently. To prevent this and possible damage from power surge, turn to OFF position after each use.*

8. Release all pressures within system slowly; dust and debris may be harmful.

▲ CAUTION *Keep fingers away from a running compressor; fast moving and hot parts will cause injury and/or burns.*



▲ WARNING *Disconnect power and depressurize system before servicing air compressor!*

9. Follow all local electrical and safety codes, as well as the National Electrical Code (NEC) and the Occupational Safety and Health Act (OSHA).
10. Wiring and fuses should follow electrical codes, current capacity, and be properly grounded.
11. Electric motors must be securely and adequately grounded. See grounding instructions and extension cord information, in this manual.
12. Always disconnect power source before working on or near a motor, or its connected load. If power disconnect point is out-of-sight, lock it in the open position and tag to prevent unexpected application of power.

13. Guard all moving parts; keep visitors away. Never allow children in work area.
14. Use only a properly grounded outlet that will accept a three pronged plug, and wear shoes to prevent shock hazards.

▲ CAUTION *Be careful when touching exterior of operating motor; it may be hot enough to cause injury. Compressor parts may be hot even if the unit is stopped.*



15. Protect power cable from coming in contact with sharp objects.
16. Clean electrical or electronic equipment with an approved cleaning agent, such as dry, nonflammable cleaning solvent.

▲ WARNING *Motors, electrical equipment and controls can cause electrical arcs that will ignite a flammable gas or vapor. Never operate or repair the unit near a flammable gas or vapor. Never store flammable liquids or gases in the vicinity of the compressor.*



17. To reduce fire hazard, keep engine/motor exterior free of oil, solvent, or grease.
18. To avoid spontaneous combustion, discard waste rags into approved metal waste cans.
19. NEVER reset safety valve or pressure switch. Keep safety valve free from paint and other accumulations. This provides safety against over pressure.



▲ WARNING *Never remove or attempt to adjust safety valve. Keep safety valve free from paint and other accumulations.*

20. Do regular maintenance; keep all nuts, bolts, and screws tight, to be sure equipment is in safe working condition .
21. Keep cleaning rags and other flammable waste materials in a tightly closed metal container and dispose of later in the proper fashion.

General Safety (Continued)

22. Drain tanks of moisture after each day's use. If unit will not be used for a while, it is best to leave drain cock open until such time as it is to be used. This will allow moisture to completely drain out and help prevent corrosion of inside of tank.
23. Inspect tank yearly for rust, pin holes or any other imperfections that could cause it to become unsafe. NEVER weld or drill holes in air tank.
24. Household use only.
25. To reduce the risk of electrical shock, do not expose to rain. Store indoors.

⚠ DANGER *Never attempt to repair or modify a tank! Welding, drilling or any other modification will weaken the tank resulting in damage from rupture or explosion. Always replace worn or damaged tanks.*

⚠ WARNING *Drain liquid from tank daily.*

SPRAYING PRECAUTIONS

⚠ WARNING *Do not spray flammable materials in vicinity of open flame or near ignition sources including the compressor unit.*

1. Spray in a well ventilated area, to keep fumes from collecting and causing health and fire hazards.
2. Do not spray in vicinity of open flames or other places where a spark can cause ignition. Do not smoke when spraying paint, insecticides, or other flammable substances.
3. Use a respirator when spraying.
4. Do not direct paint or other sprayed material at the compressor. Locate compressor as far away from the spraying area as possible to minimize overspray accumulation on the compressor.
5. When spraying or cleaning with solvents or toxic chemicals, follow the instructions provided by the chemical manufacturer.
6. Do not smoke when spraying paint, insecticides, or other flammable substances.
7. Use a face mask/respirator when spraying and spray in a well ventilated area to prevent health and fire hazards.
8. Do not direct airstream at body.



Assembly

ASSEMBLY TOOLS REQUIRED

Tools (not provided) for assembly:

- (1) #2 Phillips screwdriver
- (2) adjustable wrenches

WHEEL ASSEMBLY (FIGURE 1)

Wheel assembly kit includes:

- (2) wheels
 - (2) axle bolts
 - (2) wheel inserts
 - (2) washers
 - (2) nuts
1. Wheel has an offset hub. With offset hub facing axle iron, assemble axle bolt through wheel insert, holes in wheel and axle iron.
 2. Place adjustable wrench on axle bolt. Using a second adjustable wrench, tighten nut securely to threaded part of axle bolt.
 3. Repeat procedure with other side.

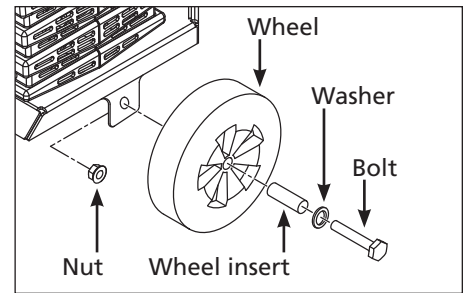


Figure 1 - Wheel assembly

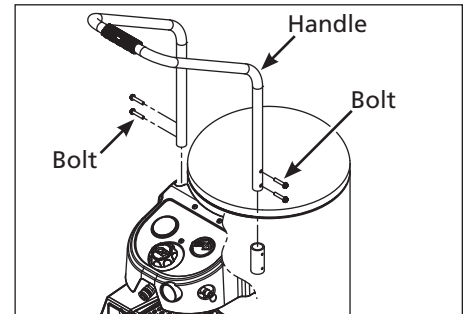


Figure 2 - Handle assembly

HANDLE ASSEMBLY (FIGURE 2)

⚠ WARNING *Never use the handle to lift the unit completely off the ground. Only use the handle to lift one end so the wheels may be used to move the unit.*

Handle assembly kit includes:

- (1) handle
 - (4) bolts
1. Insert ends of handle into tube shaped brackets on tank.
 2. Align screw holes.
 3. Thread screw into hole until tight.
 4. Tighten securely with #2 Phillips screwdriver.

Introduction

Pressure Switch - ON/OFF Switch - In the ON position, the compressor shuts off automatically when tank pressure reaches the maximum preset pressure. In the OFF position, the compressor will not operate. This switch should be in the OFF position when connecting or disconnecting the power cord from the electrical outlet or when changing air tools.

Regulator - The regulator controls the amount of air pressure released at the hose outlet.

ASME Safety Valve - This valve automatically releases air if the tank pressure exceeds the preset maximum.

Exhaust Tube - This tube carries compressed air from the pump to the check valve. This tube becomes very hot during use. To avoid the risk of severe burns, never touch the exhaust tube.

Check Valve - A one-way valve that allows air to enter the tank, but prevents air in the tank from flowing back into the compressor pump.

Handle - Designed to move the compressor.

Air Outlet - A quick connect coupler designed to work in combination with a quick connect plug to quickly and easily join a pneumatic tool to an air hose.

Pressure Gauges - These gauges will show air pressure in the compressor tank and at the compressor outlet.

Outlet Pressure Gauge - Will show air pressure at the outlet in pounds per square inch (psi). Make sure this gauge reads ZERO (by adjusting regulator knob fully counterclockwise) before changing air tools or disconnecting air hose from outlet.

Tank Pressure Gauge - Will show air pressure in tank while the compressor is running, indicating compressor is building pressure properly. This gauge will show maximum pressure of compressor when it shuts off automatically at the pressure switch.

Drain Valve - This valve is located underneath the tank. Use this valve to drain moisture from the tank daily to reduce the risk of corrosion.

▲ WARNING *Drain liquid from tank daily.*

Reduce tank pressure below 10 psi, then drain moisture from tank daily to avoid tank corrosion. Drain moisture from tank by opening the drain valve located underneath the tank.

Installation

LOCATION

It is extremely important to install the compressor in a clean, well ventilated area where the surrounding air temperature will not be more than 100°F.

A minimum clearance of 18 inches between the compressor and a wall is required because objects could obstruct air flow.

▲ CAUTION *Do not locate the compressor air inlet near steam, paint spray, sandblast areas or any other source of contamination. This debris will damage the motor*

Household use only. Store indoors.

ELECTRICAL INSTALLATION

1. Check and tighten all bolts, fittings, etc., before operating compressor.
2. Operate compressor in a ventilated area so that compressor may be properly cooled.
3. Compressor should be located where it can be directly plugged into an outlet, but if this is not possible, an extension cord may be used. It should be selected using the extension cord chart on page 5 as a guide.
4. To avoid loss of power and overheating, it is better to use additional air hose instead of extension cords to reach work area.

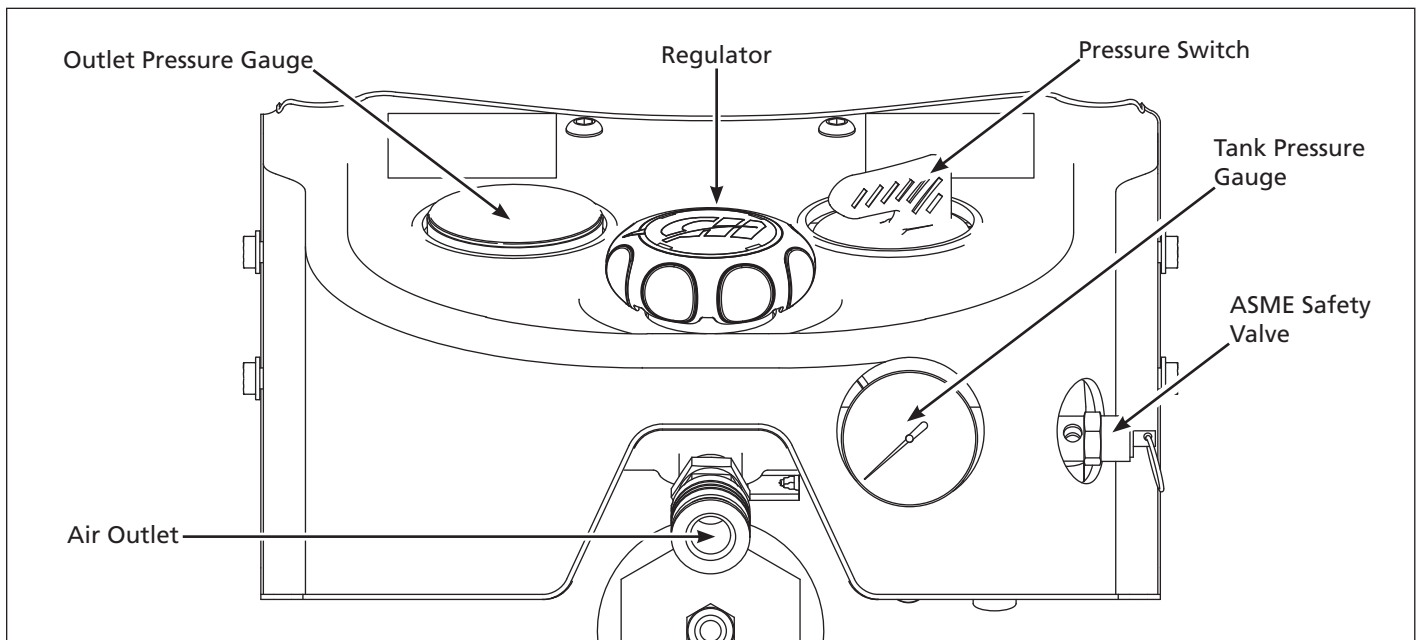


Figure 3

Installation (Continued)

WIRING

1. Local electrical wiring codes differ from area to area. Source wiring, plug and protector must be rated for at least the amperage and voltage indicated on motor nameplate, and meet all electrical codes for this minimum.
2. Use a slow blow fuse type T or a circuit breaker.

CAUTION *Overheating, short circuiting and fire damage will result from inadequate wiring, etc.*

WARNING *All wiring and electrical connections should be performed by a qualified electrician. Installation must be in accordance with local codes and national electrical codes.*

NOTE: 120 volt, compressor can be operated on a 120 volt, 15 amp circuit under the following conditions:

- a. No other electrical appliances or lights are connected to the same branch circuit.
- b. Voltage supply is normal.
- c. Extension cords are of the minimum gauge specified in this instruction manual.
- d. Circuit is equipped with a 15 amp circuit breaker or a 15 amp slow blow fuse type T.

MOISTURE IN COMPRESSED AIR

Moisture in compressed air will form into droplets as it comes from an air compressor pump. When humidity is high or when a compressor is in continuous use for an extended period of time, this moisture will collect in the tank. When using a paint spray or sandblast gun, this water will be carried from the tank through the hose, and out of the gun as droplets mixed with the spray material.

IMPORTANT: This condensation will cause water spots in a paint job, especially when spraying other than water based paints. If sandblasting, it will cause the sand to cake and clog the gun, rendering it ineffective. A filter in the air line, located as near to the gun as possible, will help eliminate this moisture.

3. If above conditions cannot be met or if nuisance tripping of current protection device occurs, it may be necessary to operate compressor from a 120 volt, 20 amp circuit.

GROUNDING INSTRUCTIONS

This product must be grounded. In the event of an electrical short circuit, grounding reduces the risk of electric shock by providing an escape wire for the electric current. This product is equipped with a cord having a grounding wire with an appropriate grounding plug. The plug must be plugged into an outlet that is properly installed and grounded in accordance with all local codes and ordinances.

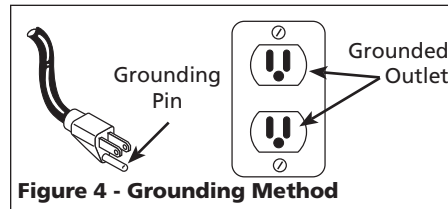


Figure 4 - Grounding Method

WARNING *Improper installation of the grounding plug is able to result in a risk of electric shock. When repair or replacement of the cord or plug is required, do not connect the grounding wire to either flat blade terminal. The wire with insulation having an outer surface that is green with or without yellow stripes is the grounding wire.*

DANGER *Do not use a grounding adapter with this product!*

WARNING *Never connect green (or green and yellow) wire to a live terminal.*

Check with a qualified electrician or serviceman when the grounding instructions are not completely understood, or when in doubt as to whether the product is properly grounded. Do not modify the plug provided; if it does not fit the outlet, have the proper outlet installed by a qualified technician.

This product is for use on a nominal 120V circuit and has a grounding plug similar to the plug illustrated in Figure 4. Only connect the product to an outlet having the same configuration as the plug. Do not use an adapter with this product.

EXTENSION CORDS

NOTICE *To avoid loss of power and overheating, it is better to use additional air hose instead of extension cords to reach work area.*

Use only a 3-wire extension cord that has a 3-blade grounding plug, and a 3-slot receptacle that accepts the plug on the product. Make sure your extension cord is not damaged. When using an extension cord, be sure to use one heavy enough to carry the current your product draws. An undersized cord results in a drop in line voltage and loss of power and overheating. [The table on page 5 shows the correct size to use depending on cord length and nameplate ampere rating. When in doubt, use the next heavier gauge. The smaller the gauge number, the heavier the cord.]

* Wire and Terminal Guide

Wire	Color	Terminal	Hot
Power cord	White	Line	No
Motor cord	White	Load	No
Power cord	Black	Line	Yes
Motor cord	Black	Load	Yes

(*) When the unit is not in operation

Minimum Gauge of Extension Cords for 120V Unit

Motor Amp Rating Range	Length of Cord		
	25 feet	50 feet	100 feet
10-12 amp	16	14	10
12-14 amp	16	12	10
14-16 amp	16	12	10

Operation

BEFORE FIRST START-UP BREAK-IN PROCEDURE

(Complete this procedure before using compressor for the first time. Once completed, it is not necessary to repeat.)

1. Turn regulator knob fully clockwise (to the right) to open air flow and open drain valve.
2. Turn ON/OFF switch to OFF position.
3. Plug in power cord.
4. Turn ON/OFF switch to ON position and run compressor for 30 minutes.
5. Turn ON/OFF switch to OFF position.
6. Unplug power cord.
7. Close drain valve.

The compressor is now ready for use.

BEFORE EACH START-UP OPERATING PROCEDURE

1. Turn regulator knob fully counter clockwise (to the left) to close air flow.
2. Connect air hose to outlet of regulator.
3. Turn On/Off Switch to OFF position.
4. Plug in power cord.
5. Turn On/Off Switch to ON position and let compressor run until it reaches automatic shutoff pressure.
6. Attach tire chuck or tool to end of hose.
7. Turn regulator knob clockwise (to the right) to desired pressure of tool being used.

CAUTION Risk of Bursting!

This compressor is designed to provide air pressure up to 200 psi. Most attachments are designed to operate at a maximum pressure of less than 125 psi. DO NOT adjust the regulator to result in output pressure greater than the marked maximum pressure of the attachment.



ON/OFF CYCLING OF COMPRESSOR

In the ON position, the compressor pumps air into the tank. When a shut-off (preset "cut-out") pressure is reached, the compressor automatically shuts off.

If the compressor is left in the ON position and air is depleted from the tank by use of a tire chuck, tool, etc., the compressor will restart automatically at its preset "cut-in" pressure. When a tool is being used

continuously, the compressor will cycle on and off automatically.

In the OFF position, the pressure switch cannot function and the compressor will not operate. Make sure switch is in OFF position when connecting or disconnecting power cord from electrical outlet.

PRESSURE GAUGES

The gauge attached to control panel is the Outlet Gauge, and it indicates air pressure going to hose (and tool attached to end of hose).

The gauge toward the front of the shroud is the Tank Gauge, and it indicates air pressure in tank.

Maintenance

ASME SAFETY VALVE

WARNING Do not remove or attempt to adjust the safety valve!

Check the safety valve by performing the following steps:

1. Plug the compressor in and run until shut off pressure is reached (see Operating Procedure).
2. Wearing safety glasses, pull the ring on the safety valve (see Figure 5) to release pressure from compressor tank. Use your other hand to deflect fast-moving air from being directed toward your face.

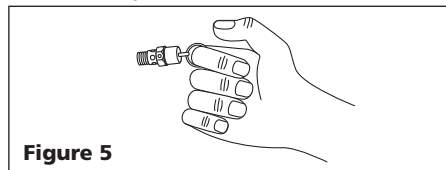


Figure 5

3. The safety valve should automatically close when pressure in the tank has been released. If the safety valve does not allow air to be released when you pull on the ring, or if it does not close automatically, it MUST be replaced.

WARNING Safety valve must be replaced if it cannot be actuated or it leaks air after ring is released.

GENERAL

WARNING Release all pressure and disconnect power before making any repair.

1. Check compressor for any visible problems, especially check air filter to be sure it is clean.

2. Pull ring on safety valve and allow it to snap back to normal position (Figure 5).

WARNING Safety valve must be replaced if it cannot be actuated or it leaks air after ring is released.

3. Daily with compressor shut off: Depressurize system prior to draining tank. Drain moisture from tank by opening drain valve underneath the tank.

NOTE: Tank should be emptied regularly.

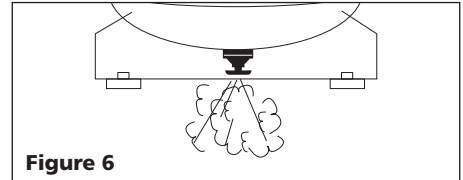


Figure 6

WARNING Do not remove drain plug with tank under pressure.

4. Turn power OFF and clean dust and dirt from motor, tank, air lines and pump cooling fins.

NOTE: The air filter in the filter housing on the side of the head must be checked and cleaned periodically, more often if used under very dusty conditions or when a great deal of fog from spraying is allowed to circulate near unit.

IMPORTANT: Unit should be located as far from spraying area as hose will allow to prevent over-spray from clogging filter.

FILTER REMOVAL, INSPECTION AND REPLACEMENT

To change a filter, remove the screw in the filter housing cover. If filter element is dirty, rotate filter element so the holes line up with clean element material and snap cover onto housing. If filter element has no clean areas, replace element.

LUBRICATION

This is an oilless type compressor requiring no lubrication.

THERMAL OVERLOAD PROTECTOR

Turn off the pressure switch or unplug compressor for 20 minutes and allow it to cool. Reset the unit. Switch unit to OFF and turn ON again to resume work.

Maintenance (Continued)

⚠ CAUTION *This compressor is equipped with a manual reset thermal overload protector which will shut off motor if it becomes overheated.*

If thermal overload protector shuts motor off frequently look for the following causes.

1. Low voltage.

2. Wrong gauge wire or length of extension cord.
3. Clogged air filter.
4. Lack of proper ventilation.

⚠ WARNING *The motor must be allowed to cool down before start-up is possible. The motor will automatically restart without warning if left plugged into electrical outlet, if the motor is turned on.*

STORAGE

1. When not in use, hose and compressor should be stored in a cool dry place.
2. Tank should be drained of moisture.
3. Hose should be disconnected and hung open ends down to allow any moisture to drain.

Troubleshooting Chart

Symptom	Possible Cause(s)	Corrective Action
Compressor will not run	<ol style="list-style-type: none"> 1. Loss of power or overheating 2. No electrical power 3. Blown fuse 4. Breaker open 5. Thermal overload open 6. Pressure switch bad 	<ol style="list-style-type: none"> 1. Check for proper use of extension cord (see EXTENSION CORDS, page 5) 2. Plugged in? Check fuse/breaker or motor overload 3. Replace blown fuse in household circuit 4. Reset, determining why problem happened 5. Motor will restart when cool; turn off compressor and wait 20 minutes. 6. Replace
Motor hums but cannot run or runs slowly	<ol style="list-style-type: none"> 1. Low voltage 2. Wrong gauge wire or length of extension cord 3. Shorted or open motor winding 4. Defective check valve or unloader 	<ol style="list-style-type: none"> 1. Check with voltmeter 2. Check gauge chart, under Installation for proper gauge wire and cord length 3. Replace motor 4. Replace or repair
Fuses blow/circuit breaker trips repeatedly	<ol style="list-style-type: none"> 1. Incorrect size fuse, circuit overloaded 2. Wrong gauge wire or length of extension cord 3. Defective check valve or under loader 	<ol style="list-style-type: none"> 1. Check for proper fuse, use time-delay fuse. Disconnect other electrical appliances from circuit or operate compressor on its own branch circuit 2. Check gauge chart, under Installation 3. Replace or repair
Thermal overload protector cuts out repeatedly	<ol style="list-style-type: none"> 1. Low voltage 2. Clogged air filter 3. Lack of proper ventilation/room temperature too high 4. Wrong gauge wire or length of extension cord 	<ol style="list-style-type: none"> 1. Check with voltmeter 2. Clean filter (see Maintenance section) 3. Move compressor to well ventilated area 4. Check gauge chart, under Installation
Air receiver pressure drops when compressor shuts off	<ol style="list-style-type: none"> 1. Loose connections (fittings, tubing, etc.) 2. Loose drain lock 3. Check valve leaking 	<ol style="list-style-type: none"> 1. Check all connections with soap and water solution and tighten 2. Tighten 3. Disassemble check valve assembly, clean or replace <p>⚠ DANGER <i>Do not disassemble check valve with air in tank; bleed tank first.</i></p>
Excessive moisture in discharge air	<ol style="list-style-type: none"> 1. Excessive water in air receiver 2. High humidity 	<ol style="list-style-type: none"> 1. Drain receiver 2. Move to area of less humidity; use air line filter
Compressor runs continuously	<ol style="list-style-type: none"> 1. Defective pressure switch 2. Excessive air usage 3. Check valve leaking 	<ol style="list-style-type: none"> 1. Replace switch 2. Decrease air usage; compressor not large enough for a requirement 3. Disassemble check valve assembly, clean or replace
Compressor vibrates	Loose mounting bolts	Tighten
Air output lower than normal	<ol style="list-style-type: none"> 1. Broken inlet valves 2. Intake filter dirty 3. Connections leaking 	<ol style="list-style-type: none"> 1. Have authorized service representative repair unit 2. Clean or replace intake filter 3. Tighten connections

Limited Warranty

1. **DURATION:** From the date of purchase by the original purchaser as follows: One Year.
 2. **WHO GIVES THIS WARRANTY (WARRANTOR):**
Campbell Hausfeld / Scott Fetzer Company, 100 Production Drive, Harrison, Ohio, 45030, Telephone: (800) 543-6400.
 3. **WHO RECEIVES THIS WARRANTY (PURCHASER):** The original purchaser (other than for purposes of resale) of the Campbell Hausfeld compressor.
 4. **WHAT PRODUCT IS COVERED BY THIS WARRANTY:** This Campbell Hausfeld air compressor.
 5. **WHAT IS COVERED UNDER THIS WARRANTY:** Substantial defects due to material and workmanship with the exceptions noted below.
 6. **WHAT IS NOT COVERED UNDER THIS WARRANTY:**
 - A. Implied warranties, including those of merchantability and FITNESS FOR A PARTICULAR PURPOSE ARE LIMITED FROM THE DATE OF ORIGINAL PURCHASE AS STATED IN THE DURATION. If this compressor is used for commercial, industrial or rental purposes, the warranty will apply for ninety (90) days from the date of purchase. Some States do not allow limitations on how long an implied warranty lasts, so the above limitations may not apply to you.
 - B. ANY INCIDENTAL, INDIRECT, OR CONSEQUENTIAL LOSS, DAMAGE, OR EXPENSE THAT MAY RESULT FROM ANY DEFECT, FAILURE, OR MALFUNCTION OF THE CAMPBELL HAUSFELD PRODUCT. Some States do not allow the exclusion or limitations of incidental or consequential damages, so the above limitation or exclusion may not apply to you.
 - C. Any failure that results from an accident, purchaser's abuse, neglect or failure to operate products in accordance with instructions provided in the owner's manual(s) supplied with compressor.
 - D. Pre-delivery service, e.g. assembly, oil or lubricants, and adjustment.
 - E. Items or service that are normally required to maintain the product, e.g. lubricants, filters and gaskets, etc.
 - F. Gasoline engines and components are expressly excluded from coverage under this limited warranty. The Purchaser must comply with the warranty given by the engine manufacturer which is supplied with the product.
 - G. Additional items not covered under this warranty:
 1. All Compressors
 - a. Any component damaged in shipment or any failure caused by installing or operating unit under conditions not in accordance with installation and operation guidelines or damaged by contact with tools or surroundings.
 - b. Pump or valve failure caused by rain, excessive humidity, corrosive environments or other contaminants.
 - c. Cosmetic defects that do not interfere with compressor functionality.
 - d. Electric motors, check valves and pressure switches.
 - e. Drain cocks.
 - f. Damage due to incorrect voltage or improper wiring.
 - g. Other items not listed but considered general wear parts.
 - h. Pressure switches, air governors and safety valves modified from factory settings.
 2. Lubricated Compressors
 - a. Pump wear or valve damage caused by using oil not specified.
 - b. Pump wear or valve damage caused by any oil contamination or by failure to follow proper oil maintenance guidelines.
 3. Belt Drive / Direct Drive / Gas Driven Compressors
 - a. Belts.
 - b. Ring wear or valve damage from inadequate filter maintenance.
 - c. Manually adjusted load/unload and throttle control devices.
 7. **ADDITIONAL WARRANTY LIMITATIONS FOR UNITS WITH THE 10 YEAR "TOUGH TANK" GUARANTEE.**
 - A. **WHAT IS COVERED BY THE 10 YEAR "TOUGH TANK" GUARANTEE:**
 1. At the warrantor's option, replace any tank or product which is found to have a manufacturer's defect in the tank for ten (10) years from the date of purchase by the original purchaser and subject to the exclusions below.
 - B. **WHAT IS NOT COVERED BY THE 10 YEAR "TOUGH TANK" GUARANTEE:**
 1. The compressor and all parts other than the tank, consult the written warranty issued for your specific compressor model.
 2. Defects in the tank not related to a manufacture's defect including but not limited to:
 - a. Failures due to rust.
 - b. Failures due to corrosive environments.
 - c. Failures due to neglect or abuse.
 3. Any tank that has been altered in any way.
 4. Any tank used for anything other than its original intended purpose.
 5. Any unit that has been fitted with any non-OEM parts.
 6. Labor to replace a defective tank.
 8. **RESPONSIBILITIES OF WARRANTOR UNDER THIS WARRANTY:** Repair or replace, at Warrantor's option, compressor or component which is defective, has malfunctioned and/or failed to conform within the duration of the specific warranty period.
 9. **RESPONSIBILITIES OF PURCHASER UNDER THIS WARRANTY:**
 - A. Provide dated proof of purchase and maintenance records.
 - B. Portable compressors or components must be delivered or shipped to the nearest Campbell Hausfeld Authorized Service Center. Freight costs, if any, must be borne by the purchaser.
 - C. Use reasonable care in the operation and maintenance of the products as described in the owner's manual(s).
 10. **WHEN WARRANTOR WILL PERFORM REPAIR OR REPLACEMENT UNDER THIS WARRANTY:** Repair or replacement will be scheduled and serviced according to the normal work flow at the servicing location, and depending on the availability of replacement parts.
- This Limited Warranty applies in the U.S., Canada and Mexico only and gives you specific legal rights. You may also have other rights which vary from State to State or country to country.

S'il vous plaît lire et conserver ces instructions. Lire attentivement avant de monter, installer, utiliser ou de procéder à l'entretien du produit décrit. Se protéger ainsi que les autres en observant toutes les instructions de sécurité, sinon, il y a risque de blessure et/ou dégâts matériels! Conserver ces instructions comme référence.



**CAMPBELL
HAUSFELD®**

Compresseurs d'Air ASME Portables 1379 kPa

Description

Les compresseurs d'air portatifs sans huile sont conçus pour l'utilisation à la maison et à l'atelier. Le nettoyage ou remplacement du filtre d'arrivée sur tous modèles et le vidange de l'humidité des réservoirs à air font partie de l'entretien exigé.

Directives De Sécurité

Ce manuel contient de l'information très importante qui est fournie pour la SÉCURITÉ et pour ÉVITER LES PROBLÈMES D'ÉQUIPEMENT. Rechercher les symboles suivants pour cette information.

▲ DANGER *Danger indique une situation dangereuse imminente qui MÈNERA à la mort ou à des blessures graves si elle n'est pas évitée.*

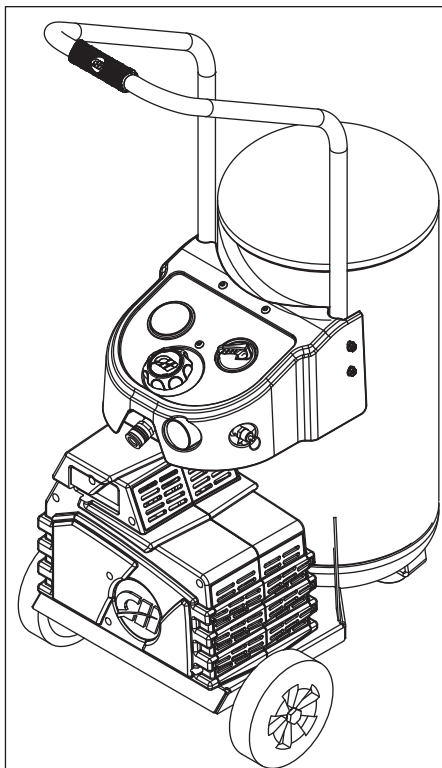
▲ AVERTISSEMENT *Avertissement indique une situation potentiellement dangereuse qui, si elle n'est pas évitée, POURRAIT mener à la mort ou à de graves blessures.*

▲ ATTENTION *Attention indique une situation potentiellement dangereuse qui, si elle n'est pas évitée, PEUT mener à des blessures mineures ou modérées.*

AVIS *Avis indique de l'information importante qui pourrait endommager l'équipement si elle n'est pas respectée.*

Déballage

Lors du déballage, l'examiner soigneusement pour rechercher toute trace de dommage susceptible de s'être produit en cours de transport. Assurer que tous raccords, boulons, etc., dégagés sont serrés avant de mettre ce produit en service. Pour toutes questions, pièces endommagées ou manquantes, appeler le



Enregistrer le N° de Modèle, N° de Série et la Date d'Achat dans l'espace ci-dessous.

N° de Modèle _____

N° de Série _____

Date d'Achat _____

Garder ces numéros pour référence future.



**NE PAS RENVoyer
LE PRODUIT AU
MARCHAND !**

1-800-543-6400 pour le service à la clientèle. Prière d'avoir le numéro de série, numéro de modèle et liste de parties (avec les parties manquantes encerclées) avant d'appeler.

▲ DANGER

Avertissement D'Air Respirable

Ce compresseur n'est pas équipé pour et ne devrait pas être utilisé "comme soi" pour fournir de l'air respirable. Pour les applications d'air pour la consommation humaine, il est nécessaire d'équiper le compresseur d'air/pompe avec de l'équipement de sécurité en canalisation et d'alarme. Cet équipement additionnel est nécessaire pour filtrer et purifier l'air afin d'atteindre les spécifications minimales pour la respiration Grade D décrit dans le Compressed Gas Association Commodity Specification G 7.1 - 1966, OSHA 29 CFR 1910. 134, et/ou Canadian Standards Associations (CSA).

DÉNÉGATION DES GARANTIES
Si le compresseur est utilisé pour les applications d'air respirable et l'équipement de sécurité en canalisation et d'alarme n'est pas utilisé simultanément, les garanties en existence seront annulés, et Campbell Hausfeld nie toute responsabilité pour n'importe quelle perte, blessure personnelle ou dommage.

▲ AVERTISSEMENT *Ne pas utiliser un modèle qui a été endommagé pendant le transport, la manipulation ou l'utilisation. Le dommage peut résulter en explosion et peut causer des blessures ou dégâts matériels.*

**LIRE ET SUIVRE TOUTES LES
INSTRUCTIONS
CONSERVER CES INSTRUCTIONS
NE PAS JETER**

**MÉMENTO: Gardez votre preuve datée d'achat à fin de la garantie!
Joignez-la à ce manuel ou classez-la dans un dossier pour plus de sécurité.**

Généralités Sur La Sécurité

PROPOSITION 65 CALIFORNIE

⚠ AVERTISSEMENT *Ce produit ou son cordon peuvent contenir des produits chimiques, y compris du plomb, relevés par l'État de Californie comme cause de cancer, d'anomalies congénitales ou d'autres problèmes reproductifs. Lavez-vous les mains après toute manipulation.*

⚠ AVERTISSEMENT *Vous pouvez créer de la poussière en coupant, ponçant, perçant ou meulant les matériaux tels que le bois, la peinture, le métal, le béton, le ciment ou autre maçonnerie. Cette poussière contient souvent des produits chimiques reconnus pour causer le cancer, les déformations congénitales ou autres problèmes de la reproduction. Portez de l'équipement de protection.*



GÉNÉRALITÉS SUR LA SÉCURITÉ

Les compresseurs d'air sont utilisés dans une variété d'applications. Puisque les compresseurs d'air et autres pièces détachées (pompe, pistolets, filtres, graisseurs, tuyaux, etc.) forment un système de pompage de haute pression, observez les précautions de sécurité suivants. Seules les personnes bien familiarisées avec ces règles de sécurité doivent être autorisés à se servir du compresseur.

⚠ ATTENTION

Risque d'éclatement! *Ce compresseur est conçu pour fournir une pression d'air jusqu'à 1380 kPa (200 psi). La plupart des accessoires sont conçus pour fonctionner à une pression maximale de moins de 862 kPa (125 psi) NE PAS ajuster le régulateur peut mener à une pression de sortie dépassant la pression maximale indiquée de l'accessoire.*



⚠ AVERTISSEMENT

Risque de blessure! *Ne pas diriger le jet d'air vers le corps.*


⚠ AVERTISSEMENT

Seul un électricien qualifié (autorisé ou diplômé) doit effectuer les travaux électriques. Sur un circuit installé correctement, les fils noirs fournissent une tension même si le modèle est hors circuit (OFF).

1. Lire attentivement tous les manuels d'instructions pour chaque pièce détachée avant d'essayer de



monter, démonter ou de faire fonctionner votre système.

2. Utiliser des lunettes de sécurité et la protection auditive pendant l'utilisation du modèle. 
3. Ne pas se tenir debout sur/ni utiliser le modèle comme une prise.
4. Ne pas dépasser l'évaluation de pression de n'importe quelle pièce détachée du système.
5. Protéger la tuyauterie et canalisations d'air contre le dommage ou la perforation. Garder les tuyaux et câbles de transport d'énergie à l'écart des objets pointus, déversements chimiques, huiles, solvants et planchers trempés.
6. Ne jamais pointer un pistolet vers soi-même ni vers une autre personne. Le décharge accidentel peut causer des blessures graves.
7. Vérifier les tuyaux pour rechercher tout signe de faiblesse ou d'usure et assurer que tous les raccords sont sûrs; ne pas utiliser si endommagé. Contacter un centre de service autorisé pour l'inspection ou la réparation.

⚠ AVERTISSEMENT

Ne Pas faire fonctionner sans supervision. Laisser le compresseur sur la position ON (marche) peut causer un démarrage accidentel. Pour éviter un démarrage accidentel et de possibles dommages par surtension, le mettre sur OFF (arrêt) après chaque utilisation.

8. Dissiper toute la pression du système lentement; la poussière et le débris peuvent être dangereux.

⚠ ATTENTION

Garder les doigts à l'écart du compresseur; les pièces mobiles et chaudes peuvent causer des blessures et/ou des brûlures.



⚠ AVERTISSEMENT

Débrancher et dissiper toute la pression du système avant de procéder à l'entretien du compresseur!

9. Suivre toutes les codes locaux d'électricité et de sécurité, ainsi que le National Electrical Code (NEC) et le Occupational Safety and Health Act (OSHA).
10. L'installation des fils et fusibles devraient suivre les codes électriques, capacité du courant, et doivent être mis à la terre correctement.

11. Les moteurs électriques doivent être mis à la terre correctement. Voir les instructions de mise à la terre et l'information concernant les cordons prolongateurs dans ce manuel.
12. Toujours débrancher la source d'énergie avant de travailler sur ou près d'un moteur, ou son charge branché. Si l'endroit de débranchement est hors vue, le serrer dans la position ouverte et l'étiquetter pour éviter une application de puissance inattendue.
13. Protéger contre les pièces mobiles; garder les visiteurs à l'écart de l'endroit de travail. Ne jamais permettre les enfants dans l'endroit de travail.
14. Utiliser seulement une prise de courant mise à la terre qui acceptera une fiche à trois broches, et portez des chaussures pour éviter le risque de secousse électrique.

⚠ ATTENTION

Prendre précaution de ne pas toucher l'extérieur du moteur car il peut être assez chaud pour causer des blessures.




15. Protéger le câble électrique contre les objets pointus.
16. Nettoyer l'équipement électrique ou électronique avec un produit approuvé tel qu'un solvant de nettoyage sèche qui n'est pas inflammable.

⚠ AVERTISSEMENT

Les moteurs, l'équipement électrique et les commandes peuvent provoquer des arcs électriques qui enflammeront les vapeurs ou les gaz inflammables. Ne jamais faire fonctionner ou réparer l'appareil près de gaz ou vapeur inflammable. Ne jamais ranger de liquides ou gaz inflammables près du compresseur.



17. Pour réduire le risque d'incendie, garder l'extérieur du moteur libre d'huile, de solvant ou de graisse excessive. 
18. Mettre au rebut les torchons usés dans les récipients en métal approuvés pour éviter la combustion spontanée.

Généralités Sur La Sécurité (Suite)

19. NE JAMAIS rajuster la soupape de sûreté ou le manostat. Garder la soupape de sûreté libre de peinture et autres accumulations. Ceci sert à éviter la sur-pression.

⚠ AVERTISSEMENT *Ne jamais enlever ou essayer*

d'ajuster la soupape de sûreté. Tenir la soupape de sûreté libre de peinture et d'autres accumulations.

20. Suivre l'entretien ordinaire; garder tous les écrous, boulons et vis serrés pour assurer un bon état de marche de l'équipement.

21. Garder tous les torchons de nettoyage et autres produits inflammables dans un récipient en métal fermé et mettre au rebut de manière responsable.

22. Faire couler l'humidité du réservoir quotidiennement. Si le modèle ne serait pas en service pour quelque temps, laisser le robinet de vidange ouvert. Ceci permet que l'humidité se vide complètement et aide à empêcher la corrosion.

23. Vérifier le réservoir quotidiennement pour la rouille, trous d'épingle ou autres imperfections qui peuvent avoir un effet sur la sécurité. NE JAMAIS souder ou percer le réservoir à air.

24. Réservé à l'utilisation résidentielle.

25. Pour réduire le risque de chocs électriques, ne pas exposer à la pluie. Ranger à l'intérieur.

⚠ DANGER *Ne jamais enlever ou essayer*

d'ajuster la soupape de sûreté. Tenir la soupape de sûreté libre de peinture et d'autres accumulations.

⚠ AVERTISSEMENT *Purger le réservoir quotidiennement.*

PRÉCAUTIONS DE PULVÉRISATION

⚠ AVERTISSEMENT *Ne pas pulvériser les matériaux*

inflammables dans un endroit de flamme ouverte ni près d'une source d'ignition y compris le compresseur.

1. Pour éviter la collection des vapeurs et les risques de santé ou d'incendie, pulvériser dans un endroit bien ventilé.

2. Ne pas pulvériser dans l'endroit d'une flamme ni dans un endroit où une étincelle peut précipiter l'allumage. Ne pas fumer pendant la pulvérisation de la peinture, d'insecticides ou autres produits inflammables.

3. Utiliser un respirateur pendant la pulvérisation.

4. Ne pas diriger la peinture ou autre matériel pulvérisé vers le compresseur. Situer le compresseur aussi loin que possible de l'endroit de pulvérisation pour réduire l'accumulation de surpulvérisation sur le compresseur.

5. Suivre les instructions du fabricant pendant la pulvérisation ou le nettoyage avec des solvants ou produits chimiques toxiques.

6. Ne pas fumer pendant la pulvérisation de la peinture, d'insecticides ou autres matières inflammables.

7. Utiliser un masque/ respirateur pendant la pulvérisation et pulvériser dans un endroit bien ventilé pour éviter le risque de blessures et d'incendie.



8. Ne pas diriger le jet d'air vers le corps.

Assemblage

OUTILS D'ASSEMBLAGE NÉCESSAIRES

Outils (non fournis) pour l'assemblage:

- (1) tournevis Phillips n° 2
- (2) clés ajustables

MONTAGE DE ROUE (FIGURE 1)

La trousse d'assemblage de la roue inclut:

- (2) roues
- (2) boulons d'essieu
- (2) garnitures de roue
- (2) rondelles
- (2) écrous

1. La roue a un moyeu décentré. Avec le moyeu décentré face au fer d'essieu, placer le boulon d'essieu à travers les trous de la roue, la garniture de roue et du fer d'essieu.

2. Placer la clé ajustable sur le boulon d'essieu. Utiliser une deuxième clé ajustable, bien resserrer l'écrou à la partie filetée du boulon d'essieu.
3. Répéter la procédure de l'autre côté.

MONTAGE DE MANCHE (FIGURE 2)

⚠ AVERTISSEMENT *Ne jamais utiliser la poignée pour soulever tout l'appareil du sol. Utiliser seulement la poignée pour soulever une extrémité pour que les roues puissent servir à déplacer l'appareil.*

La trousse de montage du manchon comprend:

- (1) manchon
 - (4) boulons
1. Insérer les extrémités de la poignée dans les supports en forme de tube sur le réservoir.
 2. Aligner les trous de vis.
 3. Visser la vis dans le trou jusqu'à ce qu'elle s'ajuste.
 4. Bien resserrer avec le tournevis Phillips n° 2.

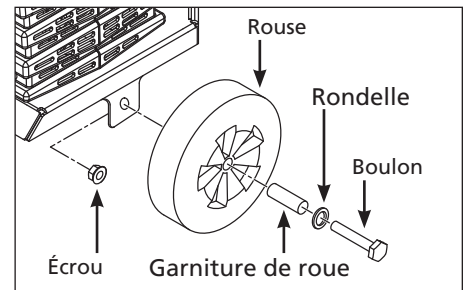


Figure 1 - Montage de Rouse

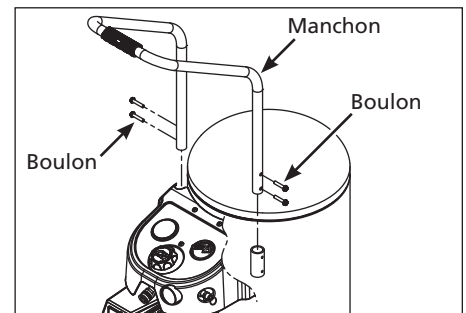


Figure 2 - Montage de manche

Introduction

Manostat - Interrupteur ON/OFF – Dans la position ON, le compresseur se coupe automatiquement quand la pression du réservoir arrive à la pression maximale réglée d'avance. Dans la position OFF, le compresseur ne fonctionnera pas. Cet interrupteur devrait être dans la position OFF pendant le branchement ou le débranchement du cordon d'alimentation de la prise de courant ou pendant le changement d'outils pneumatiques.

Régulateur - Le régulateur sert à régler la pression d'air à la sortie du tuyau.

Soupape de Sûreté ASME - Cette soupape laisse échapper l'air si la pression du réservoir dépasse la pression maximum réglée d'avance.

Tuyau de décharge - Ce tuyau transporte l'air comprimé de la pompe au clapet. Ce tuyau devient très chaud pendant l'utilisation. Pour éviter le risque des brûlures sévères, ne jamais toucher le tuyau de décharge.

Clapet - Une soupape à sens unique qui permet l'arrivée d'air dans le réservoir mais ne permet pas que l'air se recule dans la pompe.

Poignée - Conçue pour le déplacement du compresseur.

Sortie d'Air - Un raccord rapide conçu pour fonctionner de pair avec une fiche à raccordement rapide pour joindre rapidement et facilement un outil pneumatique à un boyau à air.

Manomètre(s) - Ces manomètres indiquent la pression d'air dans le réservoir du compresseur et à la sortie du compresseur.

Manomètre de sortie - Ce manomètre indique la pression d'air à la sortie, mesurée en kPa (psi). S'assurer que le manomètre est à ZERO (en tournant le bouton du régulateur complètement dans le sens antihoraire) avant de changer les outils ou de débrancher le tuyau de la sortie d'air.

Manomètre du réservoir - Ce manomètre indique la pression d'air dans le réservoir pendant le fonctionnement du compresseur, ce qui confirme que le compresseur est en train d'augmenter la pression de manière appropriée. Ce manomètre indique la pression maximum du compresseur quand' il s'éteint automatiquement à la pression limite.

Robinet de Purge - Ce robinet se trouve sous le réservoir. Utiliser cette soupape pour purger l'humidité du réservoir quotidiennement afin de réduire le risque de corrosion.

AVERTISSEMENT *Purger le réservoir quotidiennement.*

Réduire la pression du réservoir sous 69 kPa (10 psi), puis retirer l'humidité du réservoir chaque jour pour éviter sa corrosion. Drainer l'humidité du réservoir en ouvrant le robinet de vidange sous le réservoir.

Installation

ENDROIT

Il est très important d'installer le compresseur dans un endroit propre et bien ventilé où la température n'excédera pas 38°C (100°F).

Un espace libre minimum de 45,7 centimètres (18 po) entre le compresseur et un mur est exigé pour éviter le stoppage d'air par des objets.

ATTENTION *Ne pas situer la prise d'air du compresseur près de la vapeur, un jet pulvérisé de peinture, endroits de décapage au sable ou autre sources de contamination. Le débris endommagera le moteur.*

Réservé à l'utilisation résidentielle. Ranger à l'intérieur.

INSTALLATION ÉLECTRIQUE

1. Vérifier et serrer tous les boulons, raccords, etc., avant d'utiliser le compresseur.
2. Utiliser le compresseur dans un endroit bien ventilé afin de le refroidir.
3. Situer le compresseur près d'une prise de courant, mais si ceci n'est pas possible, un cordon prolongateur peut être utilisé. Choisissez le cordon prolongateur en utilisant le tableau sur la page 13.
4. Pour éviter une perte de puissance et le surchauffage, utilisez un tuyau d'air additionnel au lieu d'un cordon prolongateur.

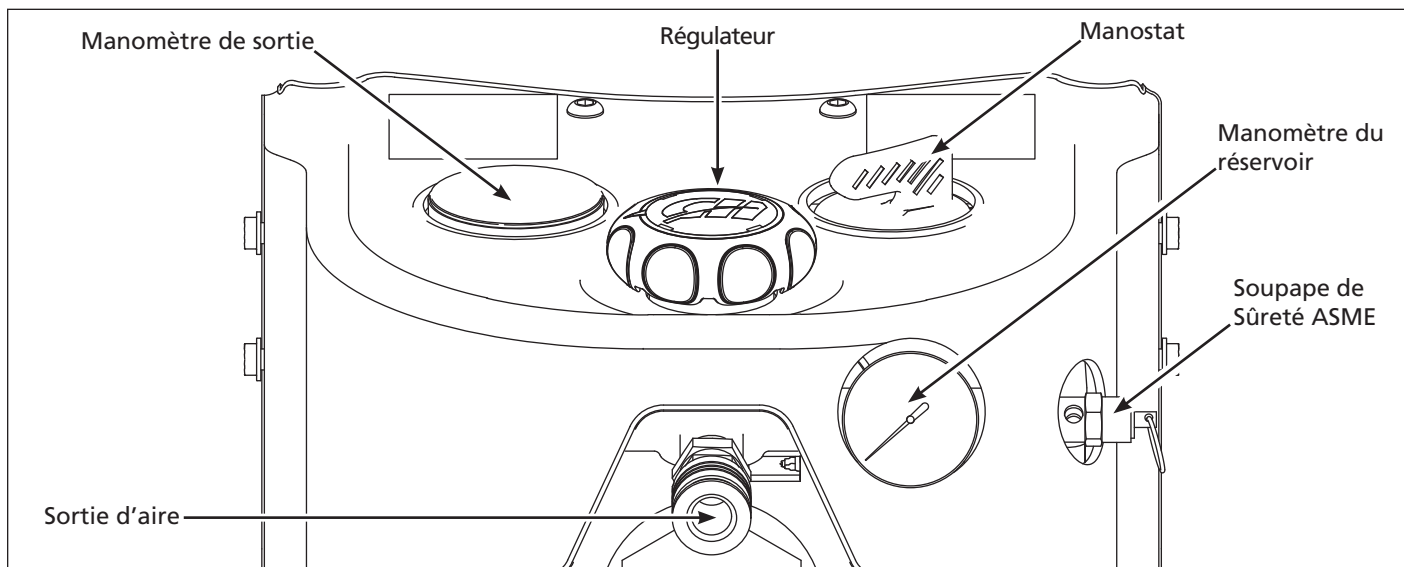


Figure 3

Installation (Suite)

INSTALLATION DE FILS

1. Les codes électriques d'installation de fils sont variables d'un endroit à l'autre. Les fils d'alimentation, fiche et protecteurs doivent être classifiés pour au moins l'ampérage et la tension indiqués sur la plaque indicatrice et doit répondre aux codes électriques pour ce minimum.
2. Utiliser une fusée à retardement type T ou un disjoncteur.

ATTENTION *L'installation de fils insuffisant peut causer le surchauffage, court-circuit et le dommage d'incendie.*

AVERTISSEMENT *Seul un électricien qualifié doit effectuer l'installation électrique et raccordements électriques. Respecter toutes les codes locaux et nationales de l'électricité.*

REMARQUE: Les modèles de 120 volts, compresseur peuvent fonctionner sur un circuit de 120 volts, 15 ampères sous les conditions suivants:

- a. Aucun autre appareil électrique ou lumière est connecté au même branchement.
 - b. L'alimentation en tension est normale.
 - c. Les cordons prolongateurs correspondent au moins avec le calibre minimum exigé dans ce manuel d'instructions.
 - d. Le circuit est équipé avec un disjoncteur de 15 ampères ou une fusée à retardement de type T de 15 ampères.
3. S'il n'est pas possible d'atteindre les conditions ci-dessus ou si le déclenchement du protecteur de courant est fréquent, il peut être nécessaire d'utiliser un circuit de 120 volts, 20 ampères.

INSTRUCTIONS DE MISE À LA TERRE

Ce produit doit être mis à la terre. Dans l'événement d'un court-circuit, la mise à la terre diminue le risque de secousse électrique en fournissant un fil d'échappement pour le courant électrique. Ce produit est équipé avec un cordon qui a un fil de terre avec une fiche de terre. La fiche doit être branchée dans une prise de courant qui a été installée et mise à la terre correctement en respectant tous les codes et règlements locaux.

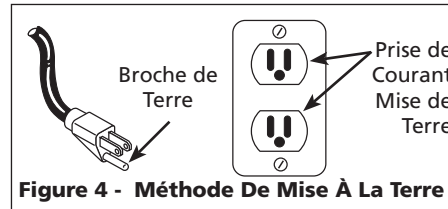


Figure 4 - Méthode De Mise À La Terre

AVERTISSEMENT *Une mauvaise installation de la prise mise à la terre peut créer un risque de chocs électriques. S'il faut remplacer ou réparer le cordon électrique ou la fiche, ne pas brancher le fil de terre à l'une ou l'autre borne de lame plate. Le fil à l'isolant vert à l'extérieur, avec ou sans rayures jaunes, est le fil de terre.*

DANGER *Ne pas utiliser d'adaptateur de mise à la terre avec ce produit!*

AVERTISSEMENT *Ne jamais connecter le fil vert (ou vert et jaune) à une borne électrisé.*

Consulter un électricien ou réparateur qualifié si vous ne comprenez pas toutes les instructions ou si vous n'êtes pas certain que le produit est bien

mis à la terre. Ne pas modifier la fiche fournie si elle n'entre pas correctement dans la prise, faire installer une prise convenable par un électricien qualifié.

Ce produit est conçu pour être utilisé avec un circuit nominal de 120 volts et a une fiche de terre semblable à celle illustrée dans la figure 4. Brancher le produit seulement à une prise de la même configuration que la fiche. Ne pas utiliser d'adaptateur avec ce produit.

CORDONS PROLONGATEURS

AVIS *Pour éviter une perte de puissance et le surchauffage, il est prudent d'utiliser un tuyau additionnel au lieu d'un cordon prolongateur.*

Utiliser seulement les rallonges à 3 fils à fiches à 3 broches qui se branchent dans des prises à 3 fentes et vérifier que ces rallonges conviennent à la fiche du produit. Vérifier que la rallonge n'est pas endommagée. En utilisant une rallonge, s'assurer d'en utiliser une suffisamment lourde pour transporter le courant que votre produit débite. Un cordon sousdimensionné provoquera une chute de tension de ligne menant à une perte de courant et à une surchauffe. [Le tableau ci-après montre la bonne taille à utiliser selon la longueur du cordon et la valeur nominale d'ampères de la plaque signalétique. S'il y a des doutes, utiliser le calibre suivant plus lourd. Plus le chiffre du calibre est petit et plus lourd sera le cordon.]

* Guide de Fils et Bornes

Fil	Couleur	Borne	Chaud
Cordon d'alimentation	Blanc	Ligne	Non
Cordon du moteur	Blanc	Charge	Non
Cordon d'alimentation	Noir	Ligne	Oui
Cordon du moteur	Noir	Charge	Oui

(*) Quand le modèle ne fonctionne pas

Jauge minimale des rallonges pour l'appareil de 120 V

Plage de puissance nominale du moteur	Longueur du Cordon		
	7,62 m	15,24 m	30,48 m
10-12 amp	16	14	10
12-14 amp	16	12	10
14-16 amp	16	12	10

Functionnement

AVANT LE PREMIER DÉMARRAGE PROCÉDURE DE RÔDAGE

Cette procédure doit être terminée avant d'utiliser le compresseur pour la première fois. Ensuite, il n'est pas nécessaire de la refaire.

1. Tourner le bouton du régulateur complètement vers la droite, dans le sens des aiguilles d'une montre pour ouvrir la circulation d'air et ouvrez le robinet de vidange.
2. Mettre l'interrupteur Marche/Arrêt à la position "OFF" (ARRÊT).
3. Brancher le cordon d'alimentation.
4. Mettre l'interrupteur Marche/Arrêt à la position "ON" (marche) et faire fonctionner le compresseur pendant 30 minutes.
5. Mettre l'interrupteur Marche/Arrêt à la position "OFF" (ARRÊT).
6. Débrancher le cordon d'alimentation.
7. Fermer le robinet de vidange.

Le compresseur est maintenant prêt à être utilisé.

AVANT CHAQUE DÉMARRAGE PROCÉDURE DE FONCTIONNEMENT

1. Tourner le bouton du régulateur complètement vers la gauche, dans le sens contraire des aiguilles d'une montre.
2. Connecter le tuyau d'air à la sortie du régulateur.
3. Mettre l'interrupteur Marche/Arrêt à la position "OFF" (ARRÊT).
4. Brancher le cordon d'alimentation.
5. Mettre l'interrupteur Marche/Arrêt à la position "ON" (marche) et faire fonctionner le compresseur jusqu'à ce qu'il atteigne la pression d'arrêt automatique.
6. Fixer le mandrin de pneu ou l'outil à l'extrémité du tuyau.

7. Tourner le bouton du régulateur complètement vers la droite, dans le sens des aiguilles d'une montre jusqu'à la pression voulue pour l'outil utilisé.

▲ ATTENTION

Risque d'éclatement! Ce compresseur est conçu pour fournir une pression d'air jusqu'à 1380 kPa (200 psi). La plupart des accessoires sont conçus pour fonctionner à une pression maximale de moins de 862 kPa (125 psi) NE PAS ajuster le régulateur peut mener à une pression de sortie dépassant la pression maximale indiquée de l'accessoire.



CYCLE MARCHE/ARRÊT DU COMPRESSEUR

En position "ON" (marche), le compresseur pompe de l'air dans le réservoir. Lorsqu'il atteint une pression d'arrêt (une "coupure" pré-établie), le compresseur s'arrête automatiquement.

Si le compresseur reste en position "ON" (marche) et si l'air sort complètement du réservoir en utilisant un mandrin de pneu, un outil, etc., alors le compresseur redémarrera automatiquement à sa pression pré-établie de "coupure". Lorsqu'un outil est utilisé continuellement, le compresseur passera automatiquement à des cycles marche et arrêt.

En position OFF (arrêt), le pressostat ne peut pas fonctionner et le compresseur ne fonctionnera pas. S'assurer que l'interrupteur est à la position OFF (arrêt) en connectant ou déconnectant le cordon d'alimentation de la prise de courant.

MANOMÈTRES

La jauge fixée au panneau de contrôle est la jauge de sortie et elle indique la pression d'air allant au boyau (et l'outil attaché à l'extrémité du boyau).

La jauge près de l'avant de l'épaulement est la jauge du réservoir et elle indique la pression d'air du réservoir.

L'HUMIDITÉ DANS L'AIR COMPRIMÉ

L'humidité dans l'air comprimé forme des gouttelettes en arrivant de la pompe du compresseur. Si l'humidité est élevée ou si le compresseur est utilisé continuellement, cette humidité s'accumulera dans le réservoir. En utilisant un pistolet à peinture ou un pistolet pour décapage au sable, cette eau sera transportée du réservoir par moyen du tuyau, et en forme de gouttelettes hors du tuyau, mélangée avec le matériel utilisé.

IMPORTANT: Cette condensation peut avoir comme résultat des tâches d'eau sur votre travail de peinture, surtout en pulvérisant la peinture qui n'a pas de base d'eau. Pendant la décapage au sable, cette eau servira à tenir le sable ensemble et à causer une obstruction dans le pistolet.

Entretien

SOUPAPE DE SÛRETÉ ASME

▲ AVERTISSEMENT *Ne jamais enlever ou essayer d'ajuster la soupape de sûreté! Tenir la soupape de sûreté libre de peinture et d'autres accumulations.*

Vérifier la soupape de sûreté de la manière suivante :

1. Brancher le compresseur et le faire fonctionner jusqu'à ce qu'il atteigne la pression d'arrêt (voir procédure de fonctionnement).
2. Porter des lunettes de sécurité, tirer l'anneau sur la soupape de sûreté (voir les Figure 5) pour dégager la pression du réservoir du compresseur. Utiliser l'autre main pour éloigner l'air se déplaçant rapidement du visage.

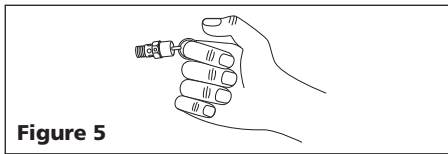


Figure 5

3. La soupape de sûreté devrait se fermer automatiquement lorsque la pression du réservoir a été dégagée. Si la soupape ne laisse pas sortir l'air en tirant sur l'anneau, ou si elle ne se ferme pas automatiquement, il FAUT la remplacer.

▲ AVERTISSEMENT *S'il y a une fuite après que la soupape soit lâchée ou si la soupape ne fonctionne pas, elle devrait être remplacée.*

GÉNÉRALITÉS

▲ AVERTISSEMENT *Dissiper toute la pression et débrancher avant d'effectuer n'importe quelle réparation.*

1. Inspecter le compresseur et vérifier que le filtre d'air soit propre.
2. Tirer la bague sur la soupape de sûreté et la permettre de retourner à la position normale (Figure 5).

▲ AVERTISSEMENT *Si la soupape de sûreté ne fonctionne pas ou s'il y a une fuite d'air après le relâchement de la bague, elle doit être remplacée.*

3. Quotidiennement avec le compresseur hors circuit : Dépressuriser le système avant de drainer le réservoir. Drainer l'humidité du réservoir en ouvrant le robinet de vidange sous le réservoir.

REMARQUE : La réservoir doit être vidée régulièrement.

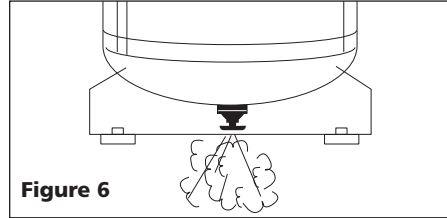


Figure 6

▲ AVERTISSEMENT *Ne retirez pas le bouchon de vidange le réservoir étant sous pression.*

4. Mettre le modèle hors circuit (OFF) et nettoyer la poussière et la saleté du moteur, du réservoir, des canalisations d'air et des ailettes de refroidissement de la pompe.

REMARQUE: Il faut vérifier et nettoyer périodiquement le filtre à air dans le boîtier du filtre du côté de la tête et plus souvent s'il est utilisé sous des conditions très poussiéreuses ou lorsqu'il y a beaucoup de brouillard créé par la pulvérisation et circulant près de l'unité.

IMPORTANT: Le modèle doit être situé aussi loin que possible de l'endroit de pulvérisation afin d'éviter l'obstruction du filtre par la sur-pulvérisation.

ENLEVAGE, INSPECTION ET REMPLACEMENT DU FILTRE

Pour changer un filtre, retirer la vis dans le couvercle du boîtier du filtre. Si l'élément du filtre est sale, tourner l'élément du filtre pour que les trous s'alignent avec le matériau de l'élément propre et mettre le couvercle sur le boîtier. Si l'élément du filtre n'a pas d'endroits propres, remplacer l'élément.

GRAISSAGE

Ce compresseur est de type "sans huile" et n'exige pas de graissage.

PROTECTEUR DE SURCHARGE THERMIQUE

Fermer le pressostat ou débrancher le compresseur pendant 20 minutes et le laisser refroidir. L'appareil réinitialiser. Éteindre l'appareil (OFF), puis mettre en marche (ON) et continuer le travail.

▲ AVERTISSEMENT *Ce compresseur est doté d'un protecteur de surcharge thermique à réarmement manuel qui coupera le moteur s'il surchauffe.*

Si le protecteur de surcharge thermique coupe le moteur (off) à maintes reprises, vérifier pour les causes suivants.

1. Tension basse.
2. Calibre de fil ou taille de cordon prolongateur incorrect.
3. Filtre d'air obstrué.
4. Ventilation insuffisante.

▲ AVERTISSEMENT *Le moteur doit se refroidir avant le démarrage si possible. Le moteur se relancera sans avis si branché dans une prise de courant et s'il est en marche (ON).*

ENTREPOSAGE

1. Entreposer les tuyaux et le compresseur dans un endroit frais et sec.
2. Le réservoir doit être purgé d'humidité.
3. Le tuyau doit être débranché et accroché avec les bouts ouverts face en bas afin de faire écouler toute l'humidité.

Guide De Dépannage

Symptôme	Cause(s) Possible(s)	Mesures Correctives
Compresseur ne fonctionne pas	<ol style="list-style-type: none"> 1. Perte de puissance ou surchauffage 2. Manque de puissance électrique 3. Fusible sauté 4. Disjoncteur déclenché 5. Surcharge thermique déclenché 6. Manostat en panne 	<ol style="list-style-type: none"> 1. Vérifier l'usage correct des cordons prolongateurs (voir CORDONS PROLONGATEURS, page 13) 2. Modèle branché? Vérifier le fusible/disjoncteur ou surcharge du moteur 3. Remplacer le fusible grillé dans un circuit résidentiel 4. Rajuster et trouver la source du problème 5. Le moteur se met en marche une fois refroidi; éteindre le compresseur et attendre 20 minutes. 6. Remplacer
Le moteur ronron mais ne peut pas fonctionner ou fonctionne lentement	<ol style="list-style-type: none"> 1. Tension basse 2. Calibre de fil ou longueur du cordon prolongateur incorrect 3. Bobinage du moteur court-circuité ou ouvert 4. Clapet ou déchargeur défectueux 	<ol style="list-style-type: none"> 1. Vérifier avec un voltmètre 2. Vérifier le tableau de calibres dans la section de Installation pour le calibre de fil et la taille de cordon prolongateur corrects 3. Remplacer le moteur 4. Remplacer ou réparer
Fusibles sautés/ le disjoncteur se déclenche à maintes reprises	<ol style="list-style-type: none"> 1. Taille de fusible incorrect, surcharge 2. Calibre de fil ou taille de cordon prolongateur incorrect 3. Clapet ou déchargeur défectueux 	<ol style="list-style-type: none"> 1. Vérifier le type de fusible, utiliser un fusible à retardement. Débrancher les autres appareils électriques du circuit ou faire fonctionner le compresseur sur un circuit unique. 2. Vérifier le tableau de calibre dans la section de Installation 3. Remplacer ou réparer
Le protecteur de surcharge thermique se déclenche souvent	<ol style="list-style-type: none"> 1. Tension basse 2. Filtre d'air obstrué 3. Ventilation insuffisante/température de l'endroit trop haute 4. Calibre de fil ou longueur du cordon prolongateur incorrect 	<ol style="list-style-type: none"> 1. Vérifier avec un voltmètre 2. Nettoyer le filtre (voir la section d'Entretien) 3. Déménager le compresseur à un endroit bien ventilé 4. Se référer au tableau de calibres dans la section Installation
Perte de pression dans le réservoir à air quand le compresseur se coupe	<ol style="list-style-type: none"> 1. Raccordements délogés (raccords, tuyaux, etc.) 2. Robinet de purge délogé 3. Fuite du clapet 	<ol style="list-style-type: none"> 1. Vérifier tous les raccordements avec de l'eau savonneuse et les serrer 2. Serrer 3. Démontez l'assemblage du clapet, nettoyez ou remplacez
		⚠ DANGER <i>Ne pas démonter le clapet s'il y a de l'air dans le réservoir; purger le réservoir</i>
Humidité excessive dans l'air de décharge	<ol style="list-style-type: none"> 1. Eau excessive dans le réservoir à air 2. Humidité élevée 	<ol style="list-style-type: none"> 1. Purger le réservoir à air 2. Déménager à un endroit moins humide; utiliser un filtre en canalisation d'air
Le compresseur fonctionne continuellement	<ol style="list-style-type: none"> 1. Manostat défectueux 2. Utilisation d'air excessif 3. Fuite du clapet 	<ol style="list-style-type: none"> 1. Remplacer le manostat 2. Diminuer l'utilisation d'air; le compresseur n'est pas assez puissant pour la demande 3. Démontez l'assemblage du clapet, nettoyez ou remplacez
Le compresseur vibre	Boulons de montage desserrés	Serrer
Débit d'air plus bas que normal	<ol style="list-style-type: none"> 1. Soupape d'admission en panne 2. Filtre d'admission sale 3. Fuites de raccordements 	<ol style="list-style-type: none"> 1. Faire réparer le modèle par un agent autorisé 2. Nettoyer ou remplacer le filtre d'admission 3. Serrer les raccordements

Garantie Limitée

1. DURÉE: À partir de la date d'achat par l'acheteur original comme suit : Un An.
2. GARANTIE ACCORDÉE PAR (GARANT): Campbell Hausfeld/Scott Fetzer Company, 100 Production Drive, Harrison, Ohio, 45030, Téléphone: (800) 543-6400.
3. BÉNÉFICIAIRE DE CETTE GARANTIE (ACHETEUR): L'acheteur original (sauf en cas de revente) du produit Campbell Hausfeld.
4. PRODUITS COUVERTS PAR CETTE GARANTIE: Ce compresseur d'air Campbell Hausfeld.
5. COUVERTURE DE LA PRÉSENTE GARANTIE: Défauts de matière et de fabrication considérables avec les exceptions indiquées ci-dessous.
6. LA PRÉSENTE GARANTIE NE COUVRE PAS:
 - A. Les garanties implicites, y compris celles de commercialisabilité et D'ADAPTION À UNE FONCTION PARTICULIÈRE SONT LIMITÉES À PARTIR DE LA DATE D'ACHAT INITIALE TELLE QU'INDIQUÉE DANS LA SECTION DURÉE. Si ce compresseur d'air est utilisé pour une fonction commerciale ou pour la location, la durée de la garantie sera quatre-vingt-dix (90) jours à compter de la date d'achat. Certaines Provinces /Certains États ne permettent pas de limitations de durée pour les garanties implicites, donc les limitations précédentes peuvent ne pas s'appliquer dans ce cas.
 - B. TOUT DOMMAGE, PERTE OU DÉPENSE FORTUIT OU INDIRECT POUVANT RÉSULTER DE TOUT DÉFAUT, PANNE OU MAUVAIS FONCTIONNEMENT DU PRODUIT CAMPBELL HAUSFELD. Quelques Provinces (États) n'autorisent pas l'exclusion ni la limitation des dommages fortuits ou indirects. La limitation ou l'exclusion précédente peut ne donc pas s'appliquer.
 - C. Toute panne résultant d'un accident, d'une utilisation abusive, de la négligence ou d'une utilisation ne respectant pas les instructions données dans le(s) manuel(s) accompagnant le produit.
 - D. Service avant livraison; par ex. le montage, l'huile ou les lubrifiants et les réglages.
 - E. Articles ou services qui sont exigés pour l'entretien normal du produit; par ex. lubrifiants, filtres et joints d'étanchéités.
 - F. Les moteurs à essence et les pièces détachées sont expressément exclus de cette garantie limitée. L'acheteur doit observer la garantie du fabricant de moteur qui est fournie avec le produit.
 - G. Articles supplémentaires qui ne sont pas couverts sous cette garantie:
 1. Tous les Compresseurs
 - a. Toutes pièces détachées endommagées pendant l'expédition, n'importe quelle panne causée par un montage ou fonctionnement du modèle sous des conditions qui ne conforment pas aux directives de montage et de fonctionnement ou dommage causée par le contact avec les outils ou les alentours.
 - b. La panne de la pompe ou de la soupape causée par la pluie, l'humidité excessive, un environnement corrosif ou autres polluants.
 - c. Les défauts de forme qui n'ont pas d'effet sur le fonctionnement du compresseur.
 - d. Les moteurs électriques, les clapets, et les manostats.
 - e. Robinets de vidange.
 - r. Dommage dû à la tension ou installation de fils incorrecte.
 - g. Autres articles pas indiqués mais considérés pièces à fatigues générales.
 - h. Manostats, régulateurs d'air et soupapes de sûreté qui ont été modifiés d'après les réglages de l'usine.
 2. Compresseurs Graissés
 - a. Usure de la pompe ou dommage aux soupapes causé par l'utilisation d'huile non-spécifiée.
 - b. Usure de la pompe ou dommage aux soupapes causé par toute contamination d'huile ou par le manque de suivre les directives d'entretien d'huile.
 3. Commande par Courroie / Commande Directe / Compresseurs à Essence
 - a. Courroies
 - b. Usure de bagues causée par l'entretien de filtre insuffisant
 - c. Appareils manuels de chargement/déchargement et appareils de commande d'obturateur.
7. D'AUTRES LIMITATIONS DE GARANTIE POUR LES UNITES AVEC UNE GARANTIE DE 10 ANS DE « RESERVOIR SOLIDE. »
 - A. CE QUI EST COUVERT PAR LA GARANTIE DE 10 ANS DE « RESERVOIR SOLIDE » :
 1. À la discrétion du garant, remplacer tout réservoir ou produit qui s'avère avoir un défaut de fabrication dans le réservoir pendant dix (10) ans de la date d'achat par l'acheteur original et sujet aux exclusions plus bas.
 - B. CE QUI N'EST PAS COUVERT PAR LA GARANTIE DE 10 ANS DE « RESERVOIR SOLIDE » :
 1. Le compresseur et toutes les pièces autres que le réservoir, consulter la garantie écrite émise pour ce modèle de compresseur précis.
 2. Les défauts du réservoir non reliés à un défaut de fabrication incluant, mais sans s'y limiter :
 - a. Défaillances à cause de rouille.
 - b. Défaillances à cause d'environnements corrosifs.
 - c. Défaillances à cause de négligence ou abus.
 3. Tout réservoir qui a été modifié de quelque façon que ce soit.
 4. Tout réservoir utilisé pour toute chose autre que son but original prévu.
 5. Tout appareil auquel l'on a ajouté toutes pièces non-OEM.
 6. La main d'œuvre pour remplacer un réservoir défectueux.
8. RESPONSABILITÉS DU GARANT AUX TERMES DE CETTE GARANTIE: Réparation ou remplacement, au choix du Garant, d'un compresseur ou d'une pièce détachée qui se sont révélés défectueux ou qui ne se sont pas conformés pendant la durée de validité de la garantie.
9. RESPONSABILITÉS DE L'ACHETEUR AUX TERMES DE CETTE GARANTIE:
 - A. Fournir une preuve d'achat datée et un état d'entretien.
 - B. La livraison ou expédition des compresseurs portatifs ou des pièces détachées au Centre De Service Autorisé Campbell Hausfeld. Taux de frais, si applicables, sont la responsabilité de l'acheteur.
 - C. Utilisation et entretien du produit avec un soin raisonnable, ainsi que le décrit le(s) manuel(s) d'utilisation.
10. RÉPARATION OU REMPLACEMENT EFFECTUÉ PAR LE GARANT AUX TERMES DE LA PRÉSENTE GARANTIE: La réparation ou le remplacement sera prévu et exécuté en fonction de la charge de travail dans le centre de service et dépendra de la disponibilité des pièces de rechange. Cette Garantie Limitée s'applique aux É.-U., au Canada et au Mexique seulement et vous donne des droits juridiques précis. L'acheteur peut également jouir d'autres droits qui varient d'une Province, d'un État ou d'un Pays à l'autre.

Por favor lea y guarde estas instrucciones. Léalas cuidadosamente antes de tratar de montar, instalar, operar o dar mantenimiento al producto aquí descrito. Protéjase usted mismo y a los demás observando toda la información de seguridad. ¡El no cumplir con las instrucciones puede ocasionar daños, tanto personales como a la propiedad! Guarde estas instrucciones para referencia en el futuro.



Compresores de Aire Portátiles ASME de 13,79 bar

Descripción

Los compresores de aire portátiles sin aceite se pueden usar para trabajos domésticos y de taller. Todos los modelos requieren que le limpien o reemplacen el filtro de entrada y le drenen el tanque como parte del mantenimiento cotidiano.

Medidas De Seguridad

Este manual contiene información que es muy importante que sepa y comprenda. Esta información se la suministramos como medida de SEGURIDAD y para EVITAR PROBLEMAS CON EL EQUIPO. Debe reconocer los siguientes símbolos.

▲ PELIGRO Peligro indica una situación *inminentemente peligrosa, que si no se evita, dará como resultado la muerte o lesiones graves.*

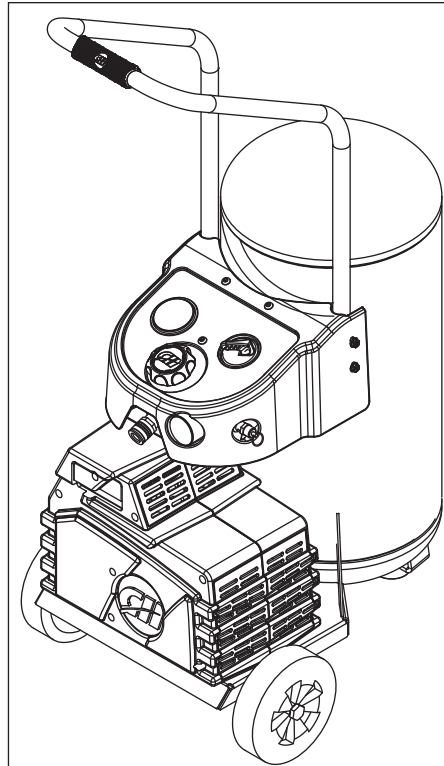
▲ ADVERTENCIA Advertencia indica una situación *potencialmente peligrosa, que si no se evita, PODRÍA ocasionar la muerte o lesiones graves.*

▲ PRECAUCION Precaución indica una situación *potencialmente peligrosa, que si no se evita, PUEDE dar como resultado lesiones leves o moderadas.*

AVISO Aviso indica una información *importante, que de no seguirla, le podría ocasionar daños al equipo.*

Para Desempacar

Al desempacar este producto, revíselo con cuidado para cerciorarse de que esté en perfecto estado. Antes de usarlo, cerciórese de que todas las conexiones y pernos estén bien apretados. En caso de preguntas, piezas dañadas o faltantes, sírvase llamar al 1-800-543-6400 por asistencia al cliente.



Registre en el espacio a continuación el No. del Modelo, el Número de Serie y la Fecha de Compra.

No. del Modelo _____

No. de Serie _____

Fecha de Compra _____

Guarde estos números para referencia en el futuro.



NE PAS RENVOYER LE PRODUIT AU MARCHAND!

▲ PELIGRO

Advertencia sobre el aire respirable

Este compresor/cabezal no viene listo de fábrica para suministrarle aire respirable. Antes de utilizarlos con este fin deberá instalarle un sistema de seguridad y alarma incorporado a la línea. Este sistema adicional es necesario para filtrar y purificar el aire adecuadamente para cumplir con las especificaciones mínimas sobre aire respirable de Grado D descritas en la Especificación de Productos G 7.1 - 1966 de la Asociación de Aire Comprimido. Igualmente, deberá cumplir los requisitos establecidos por el Artículo 29 CFR 1910. 134 de la Organización norteamericana OSHA y/o la Canadian Standards Associations (CSA).

RENUNCIA A LAS GARANTIAS Si el compresor se utiliza para producir aire respirable SIN haberle instalado el sistema de seguridad y alarma, todas las garantías se anularán y la compañía Campbell Hausfeld no asumirá NINGUNA responsabilidad por pérdidas, heridas personales o daños.

▲ ADVERTENCIA No debe utilizar la unidad si se ha dañado durante el envío, manejo o uso. Los daños podrían ocasionar una explosión y ocasionarle heridas o daños a su propiedad.

LEA Y SIGA TODAS LAS INSTRUCCIONES GUARDE ESTAS INSTRUCCIONES NO LAS DESECHE

RECORDATORIO: ¡Guarde su comprobante de compra con fecha para fines de la garantía! Adjúntela a este manual o archívela en lugar seguro.

Generales de Seguridad

PROPOSICIÓN DE CALIFORNIA 65

⚠ ADVERTENCIA *Este producto o su cable de corriente pueden contener químicos, incluido plomo, que es conocido por el Estado de California como causante de cáncer y defectos de nacimiento u otros daños reproductivos. Lávese las manos después de manipularlo.*

⚠ ADVERTENCIA *Cuando corta lija, taladra o pule materiales como por ejemplo madera, pintura, metal, hormigón, cemento, u otro tipo de mampostería se puede producir polvo. Con frecuencia este polvo contiene productos químicos que se conocen como causantes de cáncer, defectos congénitos u otros daños reproductivos. Use equipo de protección.*



INFORMACIONES GENERALES DE SEGURIDAD



Los compresores de aires se utilizan en una variedad de aplicaciones. Como el compresor de aire y otros componentes usados (bomba de material, pistolas pulverizadoras, filtros, lubricadores, mangueras, etc.) integran un sistema de alta presión, en todo momento deberá seguir las siguientes medidas de seguridad.

⚠ PRECAUCION *¡Riesgo de explosión! Este compresor está diseñado para proporcionar una presión de aire de hasta 13,79 bar (200 psi). La mayoría de los accesorios están diseñados para funcionar a una presión máxima de menos de 6,62 bar (125 psi). NO ajuste el regulador para que resulte en una presión de salida mayor que la que se marca como presión máxima del accesorio.*



⚠ ADVERTENCIA *¡Riesgo de lesión! No dirija el flujo de aire hacia el cuerpo.*

⚠ ADVERTENCIA *Todos los trabajos de electricidad los debe hacer un electricista calificado (con licencia o certificación). En los circuitos conectados adecuadamente los cables negros podrían suministrar tensión inclusive cuando la unidad esté desconectada.*

1. Lea con cuidado todos los manuales incluidos con este producto antes de tratar de ensamblar, desman-telar o utilizar el sistema. 
2. Siempre use anteojos de seguridad y protéjase los oídos para operar el cabezal o el compresor. 
3. No se encarama sobre el cabezal, ni lo use para sostenerse.
4. No exceda la presión máxima de ninguno de los componentes del sistema.
5. Proteja las líneas de material y de aire contra daños y roturas. Mantenga las mangueras y cordones alejados de objetos afilados, derrames químicos solventes de aceite y pisos húmedos.
6. Nunca apunte la pistola pulverizadora hacia nadie. Podría ocurrir un accidente y ocasionarle heridas de gravedad.
7. Antes de cada uso, revise las mangueras para ver si están deterioradas o hay fugas. Antes de usarlo cerciórese de que las conexiones estén bien apretadas y no lo use si encuentra irregularidades. Notifíquelo a un centro de servicio autorizado para que lo chequen o reparen.

⚠ ADVERTENCIA *No lo haga funcionar sin supervisión El dejar el compresor en la posición ON (encendido) puede causar que se encienda inadvertidamente. Para prevenir que eso ocurra y posibles daños por un aumento de tensión, apague el compresor después de cada uso.*

8. Libere el aire lentamente; de lo contrario éste podría levantar polvo y desperdicios que podrían ocasionarle daños.

⚠ PRECAUCION *Mantenga los dedos alejados del socompresor cuando esté funcionando; las piezas en movimiento o calientes, le ocasionarían heridas y/o quemaduras.*



⚠ ADVERTENCIA *¡Desconecte la unidad y libere la presión del sistema antes de darle servicio al compresor!*

9. Siga todos los códigos de electricidad y seguridad locales y nacionales al igual que las medidas de seguridad laboral.
10. Las conexiones eléctricas y fusibles deben estar conectadas a tierra adecuadamente, seguir los códigos locales de electricidad y no sobrepasar las capacidades.
11. Los motores eléctricos deben asegurarse bien y estar conectados a tierra adecuadamente. Vea las instrucciones para conectar a tierra y la información sobre cordones de extensión en este manual.
12. Siempre desconecte la unidad antes de hacer trabajos en el motor o áreas cercanas. Si el tomacorrientes se encuentra fuera de su alcance, cerciórese de que el interruptor esté asegurado para que no se encienda accidentalmente.
13. Proteja todas las piezas en movimiento y mantenga a los visitantes alejados. Nunca permita la presencia de niños en el área de trabajo.
14. Sólo use tomacorrientes adecuados que estén conectados a tierra y use zapatos aislantes para evitar electrocutamiento.

⚠ PRECAUCION *Tenga cuidado al tocar la parte externa del motor encendido; éste podría estar muy caliente y ocasionarle heridas.*



15. Evite que el cordón eléctrico tenga contacto con objetos afilados.
16. Limpie los equipos eléctricos o electrónicos con agentes aprobados tales como solventes secos no inflamables.

⚠ ADVERTENCIA *Los motores, equipos eléctricos y controles pueden ocasionar arcos eléctricos que encenderían gases o vapores inflamables. Nunca maneje ni repare la unidad en las proximidades de gases o vapores inflamables. Nunca almacene líquidos o gases inflamables cerca del compresor.*



17. Para reducir el peligro de incendio, mantenga el exterior del motor libre de aceite, solventes o exceso de grasa.

