



## General Safety Information (Continued)

### OPERATOR'S RESPONSIBILITY:

The tool operator is responsible for:

- Reading and understanding tool labels and manual.
- Selecting an appropriate tool actuation system, taking into consideration the work application for which the tool is used.
- The safe use of the tool.
- Ensuring that the tool is used only when the operator and all other personnel in the work area are wearing ANSI Z87 eye protection equipment, and when required, other appropriate protection equipment such as head, hearing and foot protection equipment. Serious eye or permanent hearing loss could result.
- Assuring that the tool is kept in safe working order as described in this manual.



### EMPLOYER'S RESPONSIBILITY:

- Selecting an appropriate tool actuation system, taking into consideration the work application for which the tool is used.
- Ensuring that this manual is available to operators and personnel performing maintenance.
- The safe use of the tool.
- Enforcing that the tool is used only when the operator and all other personnel in the work area are wearing ANSI Z87 eye protection equipment, and when required, other appropriate protection equipment such as head, hearing and foot protection equipment. Serious eye or permanent hearing loss could result.
- Assuring that the tool is kept in safe working order as described in this manual.
- Assuring the proper maintenance of all tools in employer's possession.
- Ensuring that tools which require repair are not further used before repair. Tags and physical segregation are recommended means of control.



### ⚠ DANGER

- **Read and understand tool labels and manual. Failure to follow warnings, dangers, and cautions could result in DEATH or SERIOUS INJURY.**



- **Do not use any type of reactive gases, including, but not limited to, oxygen and combustible gases, as a power source. Use filtered, lubricated, regulated compressed air only. Use of a reactive gas instead of compressed air may cause the nailer to explode which will cause death or serious personal injury.**



- **Use only a pressure-regulated compressed air source to limit the air pressure supplied to the tool. The regulated pressure must not exceed 90 psi. If the regulator fails, the pressure delivered to the tool must not exceed 200 psi. The nailer could explode which will cause death or serious personal injury.**

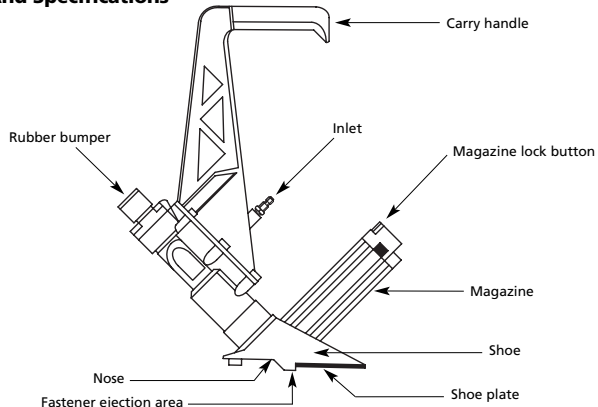


- **Never use gasoline or other flammable liquids to clean the nailer. Never use the nailer in the presence of flammable liquids or gases. Vapors could ignite by a spark and cause an explosion which will result in death or serious personal injury.**



### Nailer / Stapler Components And Specifications

- **REQUIRES:** 4.3 Avg SCFM using 60 fasteners at 80 psi
- **AIR INLET:** 1/4" NPT
- **FASTENER SIZE RANGE:**  
15 1/2 gauge 1/2" crown flooring staples: 1 1/2" to 2"  
16 gauge L-head flooring cleats: 1 1/2" to 2"
- **MAGAZINE CAPACITY:**  
110 fasteners
- **WEIGHT:** 10.0 lbs.
- **LENGTH:** 16.5"
- **HEIGHT:** 23"
- **MAXIMUM PRESSURE:** 90 psi
- **PRESSURE RANGE:** 70 - 90 psi



## Notes

---



---



---



---



---



---



---



---



---



---



---



---



---



---



---



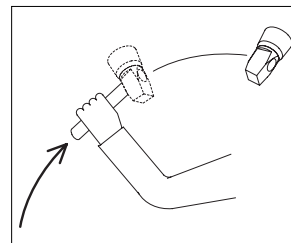
---

**Garantía Limitada**

- DURACION: A partir de la fecha de compra por el comprador original tal como se especifica a continuación: Productos Estándar (Standard Duty) - Un año, Productos Resistentes (Serious Duty) -Dos años, Productos Robustos (Extreme Duty) - Tres años.
- QUIEN OTORGA ESTA GARANTIA (EL GARANTE: Campbell Hausfeld / The Scott Fetzer Company 100 Production Drive, Harrison, Ohio 45030 Teléfono: (800) 543-6400
- QUIEN RECIBE ESTA GARANTIA (EL COMPRADOR): El comprador original (que no sea un revendedor) del producto Campbell Hausfeld.
- PRODUCTOS CUBIERTOS POR ESTA GARANTIA: Cualquier clavadora, grapadora, herramienta neumática, pistola pulverizadora, inflador o accesorio neumático suministrado o fabricado por el Garante.
- COBERTURA DE LA GARANTIA: Los defectos substanciales de material y fabricación que ocurran dentro del periodo de validez de la garantía.
- LO QUE NO ESTA CUBIERTO POR ESTA GARANTIA:
  - Las garantías implícitas, incluyendo aquellas de comercialidad E IDONEIDAD PARA FINES PARTICULARES, ESTÁN LIMITADOS A LO ESPECIFICADO EN EL PARRAFO DE DURACION. Si este producto es empleado para uso comercial, industrial o para renta, la garantía será aplicable por noventa (90) días a partir de la fecha de compra. En algunos estados no se permiten limitaciones a la duración de las garantías implícitas, por lo tanto, en tales casos esta limitación no es aplicable.
  - CUALQUIER PERDIDA DAÑO INCIDENTAL, INDIRECTO O CONSECUENTE QUE PUEDA RESULTAR DE UN DEFECTO, FALLA O MALFUNCIONAMIENTO DEL PRODUCTO CAMPBELL HAUSFELD. En algunos estados no se permite la exclusión o limitación de daños incidentales o consecuentes, por lo tanto, en tales casos esta limitación o exclusión no es aplicable
  - Cualquier falla que resulte de un accidente, abuso, negligencia o incumplimiento de las instrucciones de funcionamiento y uso indicadas en el (los) manual(es) que se adjunta(n) al producto. Dichos accidentes, abusos por parte del comprador, o falta de operar el producto siguiendo las instrucciones del manual de instrucciones suministrado también debe incluir la desconexión o modificación de los instrumentos de seguridad. Si dichos instrumentos de seguridad son desconectados, la garantía quedaría cancelada.
  - Los ajustes normales explicados en el(los) manual(es) suministrado(s) con el producto.
  - Artículos o servicios normalmente requeridos para el mantenimiento del producto, tales como: anillos en O, resortes, amortiguadores, defensas, hojas de impulsor, fusibles, baterías, empaques, almohadillas o sellos, boquillas de fluido, agujas, boquillas para rociar arena, lubricantes, mangueras de material, elementos filtrantes, álabes de motores, abrasivos, hojillas, discos para cortar, cinceles, retenes para cinceles, cortadores, collarines, mandriles, mordazas para remachadoras, brocas para desarmadores, almohadillas para lijar, soportes de almohadillas, mecanismo de impacto o cualquier otro artículo desgastable que no se haya enumerado específicamente. Estos artículos sólo estarán cubiertos bajo esta garantía por noventa (90) días a partir de la fecha de compra original. Los artículos subrayados sólo están garantizados por defectos de material o fabricación.
- RESPONSABILIDADES DEL GARANTE BAJO ESTA GARANTIA: Reparar o reemplazar, como lo decida el Garante, los productos o componentes que estén defectuosos, se hayan dañado o hayan dejado de funcionar adecuadamente, durante el periodo de validez de la garantía
- RESPONSABILIDADES DEL COMPRADOR BAJO ESTA GARANTIA:
  - Suministrar prueba fechada de compra y la historia de mantenimiento del producto.
  - Entregar o enviar el producto o componente Campbell Hausfeld al Centro de Servicio autorizado Campbell Hausfeld más cercano. Los gastos de flete, de haberlos, deben ser pagados por el comprador.
  - Seguir las instrucciones sobre operación y mantenimiento del producto, tal como se indica(n) en el (los) manual(es) del propietario
- CUANDO EFECTUARA EL GARANTE LA REPARACION O REEMPLAZO CUBIERTO BAJO ESTA GARANTIA: La reparación o reemplazo dependerá del flujo normal de trabajo del centro de servicio y de la disponibilidad de repuestos. Esta garantía limitada es válida sólo en los EE.UU., Canadá y México y otorga derechos legales específicos. Usted también puede tener otros derechos que varían de un Estado a otro. o de un país a otro.

**General Safety Information (Continued)****▲ DANGER**

- **Make sure tool is securely placed before firing (see Operating the Nailer section). If tool is not securely placed, there is a risk of flying fasteners that may cause death or serious injury.**
- **Make sure mallet head is secure to mallet handle. Do not use if head is not secure. A non-secure head may fly off and cause death or severe personal injury.**



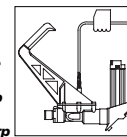
- **Always use the rubber end of the mallet only for striking the rubber bumper. Damage to the tool may occur if you use the metal end. The metal end is only to be used for racking the flooring boards.**

**▲ WARNING**

- **Always disconnect the tool from the power source when unattended, performing any maintenance or repair, clearing a jam, or moving the tool to a new location. Always reconnect the air line BEFORE loading any fasteners.**
- **Always fit tool with a fitting or hose coupling on or near the tool in such a manner that all compressed air in the tool is discharged at the time the fitting or hose coupling is disconnected. Do not use a check valve or any other fitting which allows air to remain in the nailer. Death or serious personal injury could occur.**

**▲ WARNING**

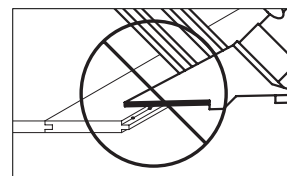
- **Never carry the nailer by the air hose or pull the hose to move the nailer or a compressor. Keep hoses away from heat, oil and sharp edges. Replace any hose that is damaged, weak or worn. Personal injury or tool damage could occur.**



- **Do not operate or allow anyone else to operate the nailer if any warnings or warning labels are not legible. Warnings or warning labels are located on the nailer magazine and body.**



- **Do not drive a nail on top of other nails. The nail could glance and cause death or a serious puncture wound.**



- **Always assume the nailer contains nails. Respect the tool as a working implement; no horseplay. Always keep others at a safe distance from the work area in case of accidental discharge of nails. Do not point the tool toward yourself or anyone whether it contains fasteners or not. Accidental triggering of the nailer could result in death or serious personal injury.**
- **Do not drop or throw the tool. Dropping or throwing the tool can result in damage that will make the tool unusable or unsafe. If the tool has been dropped or thrown, examine the tool closely for bent, cracked or broken parts and air leaks. STOP and repair before using or serious injury could occur.**

**▲ CAUTION**

- **Do not make any modifications to the tool without first obtaining written approval from Campbell Hausfeld. Do not use the nailer if any shields or guards are removed or altered. Do not use the nailer as a hammer. Personal injury or tool damage may occur.**
- **Avoid long extended periods of work with the nailer. Stop using the nailer if you feel pain in hands or arms.**
- **Do not place tool on pre-finished flooring in an abusive manner. Careless placement of the tool may mar or damage the flooring.**

**NOTICE**

- **Avoid using the nailer when the magazine is empty. Accelerated wear on the nailer may occur.**
- **Clean and check all air supply hoses and fittings before connecting the nailer to an air supply. Replace any damaged or worn hoses or fittings. Tool performance or durability may be reduced.**
- **Air compressors providing air to the nailer should follow the requirements established by the American National Standards Institute Standard B19.3-1991; Safety Standard for Compressors for Process Industries. Contact your air compressor manufacturer for information.**

The DANGER, WARNING, CAUTION, and NOTICE notifications and instructions in this manual cannot cover all possible conditions and situations that may occur. It must be understood by the operator that common sense and caution are factors which cannot be built into this product, but must be supplied by the operator.

**NOTICE**

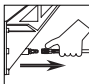
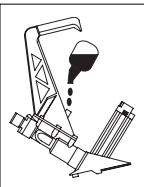
READ ALL FLOORING MANUFACTURER WARNINGS, PROCEDURES, AND INSTRUCTIONS BEFORE USING THIS TOOL. THE INFORMATION PROVIDED BY THE FLOORING MANUFACTURER MUST BE FOLLOWED.

## Operating The Nailer

### LUBRICATION

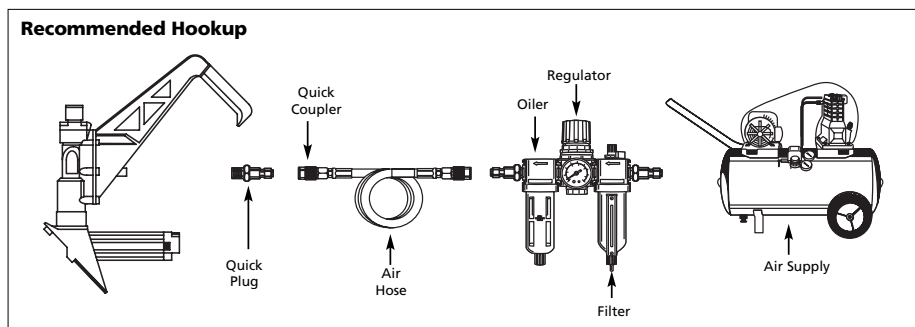
This nailer requires lubrication before using the nailer for the first time and before each use. If an inline oiler is used, manual lubrication through the air inlet is **not** required on a daily basis.

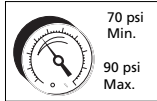
**NOTICE** *The work surface can become damaged by excessive lubrication. Proper lubrication is the owner's responsibility. Failure to lubricate the nailer properly will dramatically shorten the life of the nailer and void your warranty.*

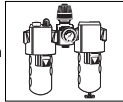
1. Disconnect the air supply from the nailer to add lubricant. 
2. Turn the nailer so the air inlet is facing up. Place 4-5 drops of 30 W non-detergent oil into air inlet. Do not use detergent oils, oil additives, or air tool oils which contain solvents. This will damage the nailer's internal components. 

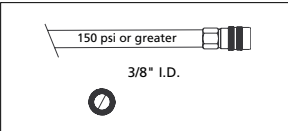
### RECOMMENDED HOOKUP

The illustration below shows the recommended hookup for the nailer.



1. The air compressor must be able to maintain a minimum of 70 psi when the nailer is being used. An inadequate air supply can cause a loss of power and inconsistent driving. 

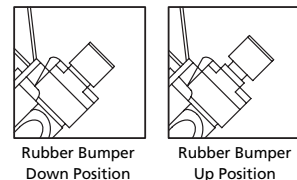
2. An oiler can be used to provide oil circulation through the nailer. A filter can be used to remove liquid and solid impurities which can rust or "gum up" internal parts of the nailer. 

3. Always use air supply hoses with a minimum working pressure rating equal to or greater than the pressure from the power source if a regulator fails, or 150 psi, whichever is greater. Use 3/8" air hoses for 50' run or longer. For better performance, install a 3/8" quick plug (1/4" NPT threads) with an inside diameter of .315" (8 mm) on the nailer and a 3/8" quick coupler on the air hose. 

4. Use a pressure regulator on the compressor, with an operating pressure of 0 - 125 psi. A pressure regulator is required to control the operating pressure of the nailer between 70 and 90 psi.

**WARNING** *An improperly functioning tool must not be used. Do not actuate the tool unless the tool is placed firmly against the work piece.*

**Note:** Make sure the rubber bumper on the flooring nailer is in the up position before adding the air hose, if not, the nailer may cycle (see below).



## Lista de Repuestos

No. de Ref	Descripción	Número de Repuesto	Ctd
1	Cabeza del pistón	SX140100AV	1
2	Anillo en O - 19.2 x 1.8	▲	1
3	Anillo en O - 15.9 x 1.8	▲	1
4	Cilindro de válvula	SX140400AV	1
5	Anillo en O - 42.5 x 5.4	▲	1
6	Anillo en O - 17.5 x 2.6	▲	1
7	Anillo en O - 57.4 x 3.5	▲	1
8	Ensamblaje del pistón	SX140800AV	1
9	Defensa de caucho	SX140900AV	1
10	Tornillo - M5 x 20	*	1
11	Sombbrero	SX141100AV	1
12	Tornillo - M4 x 20	*	1
13	Arandela de resorte	*	1
14	Actuador	SX141400AV	1
15	Anillo en O - 54.2 x 3.5	▲	1
16	Sello	▲	1
17	Cuerpo	--	1
18	Defensa	SX141800AV	1
19	Boquilla	SX141900AV	1
20	Tornillo - M3 x 20	*	1
21	Pasador de resorte - 3 x 14	*	1
22	Protector contra el polvo	SX142200AV	1
23	Tornillo - M5 x 14	*	1
24	Arandela de resorte	*	1
25	Guía de la cuchilla	SX142500AV	1
26	Guía de puntillas dentadas	SX142600AV	1
27	Zapata	--	1
28	Pata de goma	SX142800AV	2
29	Casquillo	SX142900AV	1
30	Tornillo - M6 x 16	*	1
31a	Placa de zapata gruesa, 5/16" (8 mm)	SX143100AV	1
31b	Placa de zapata delgada, 1/4" (6 mm)	SX143200AV	1
32	Tornillo - M6 x 12	*	1
33	Pasador de resorte - 2 x 14	*	1
34	Cargador	SX143500AV	1
35	Arandela de resorte	*	1
36	Tornillo - M6 x 35	*	1
37	Impulsor	SX143800AV	1
38	Resorte de empuje	SX143900AV	2
39	Placa terminal del cargador	SX144000AV	1

No. de Ref	Descripción	Número de Repuesto	Ctd
40	Tapa del extremo del cargador	SX144100AV	1
41	Tornillo	*	1
42	Resorte	SX144300AV	1
43	Tornillo - M4 x 16	*	1
44	Placa tope	SX144500AV	1
45	Botón de seguro del cargador	SX144600AV	1
46	Tuerca - M4	*	1
47	Arandela	*	1
48	Buje	SX144900AV	1
49	Pasador de resorte - 3 x 12	*	1
50	Gancho de seguro del cargador	SX145100AV	1
51	Tornillo - M3 x 5	*	1
52	Arandela	*	1
53	Arandela de resorte	*	1
54	Resorte de hoja	SX145500AV	1
55	Tornillo - M3 x 8	*	1
56	Puerta del cargador	SX145700AV	1
57	Pasador de resorte - 2.5 x 10	*	1
58	Tornillo - M3 x 6	*	1
59	Magneto	SX146000AV	3
60	Riel	SX146100AV	1
61	Empaque	SX146200AV	1
62	Brazo	--	1
63	Tornillo - M6 x 25	*	1
64	Tapón de aire	*	1
65	Llave 5 mm	■	1
66	Llave 4 mm	■	1
67	Llave 3 mm	■	1
68	Soprote de llaves	■	1
69	Martillo	SX147000AV	1

### REPLACEMENT PARTS KITS

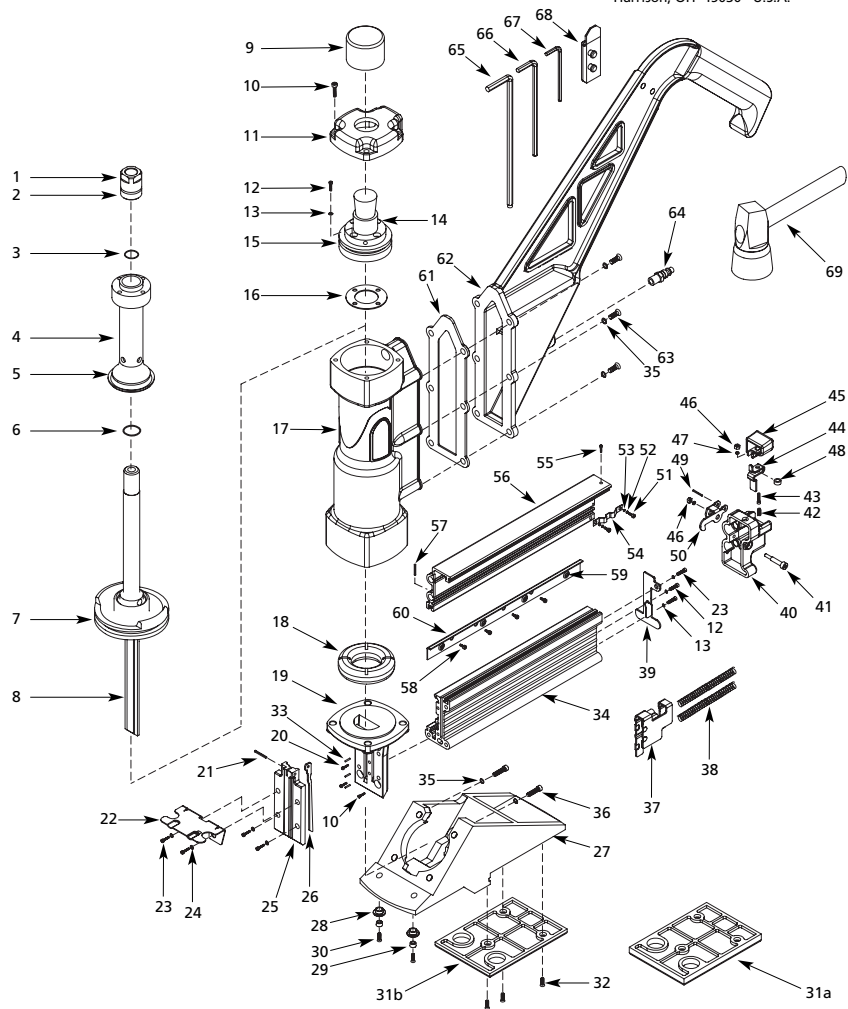
- ▲ Juego completo de anillos en O SKN09100AV
- Juego de llaves SKN09200AV
- \* Artículo estándar de ferretería - disponible en su ferretería local

**Para Ordenar Repuestos o Asistencia Técnica, Sírvase Llamar al Distribuidor Más Cercano a Su Domicilio**

Sírvase proporcionar la siguiente información:

- Número de modelo
- Número de serie (si tiene)
- Descripción y número de la pieza como se muestra en la lista de repuestos

Dirija toda la correspondencia a:  
Campbell Hausfeld  
Attn: Customer Service  
100 Production Drive  
Harrison, OH 45030 U.S.A.



**Operating The Nailer (Continued)**

**LOADING/UNLOADING THE NAILER**

Always **connect** the tool to the air supply before **loading** fasteners.

**Loading the staples**

1. Hold the tool firmly, press the lock and pull the magazine door (See figure 1).
2. Place the staples straddling the top of the magazine (See figure 2).
3. Push and lock the magazine door back in place (See figure 3).

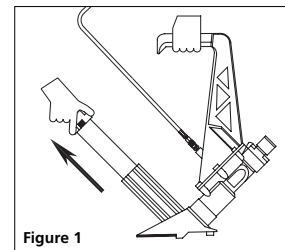


Figure 1

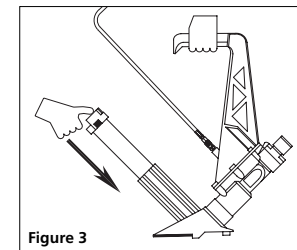


Figure 3

**Loading the L cleats**

1. Hold the tool firmly, press the lock and pull the magazine (See figure 1).
2. Place the specified type and size of L cleats in the magazine from side. The head of the L cleats should be inserted into the notch on the fixed magazine (See figure 4).
3. Push and lock the magazine door back in place (See figure 3).

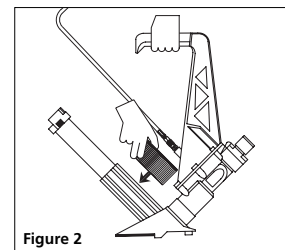


Figure 2

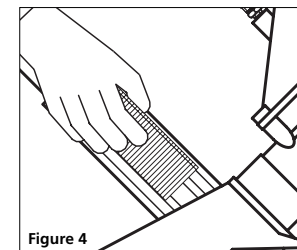


Figure 4

**CLEARING A JAM FROM THE NAILER (SEE FIGURE 5)**

1. Disconnect the air supply from the nailer.
2. Remove staples or L cleats from magazine.
3. Using provided 4 mm wrench, remove the four nose plate screws, washers, nose plate, and dust shield.
4. Using a small tool, pick out the jammed fastener.
5. Reattach all hardware (apply a good quantity of threadlock glue on screw threads before installing; tighten firmly).

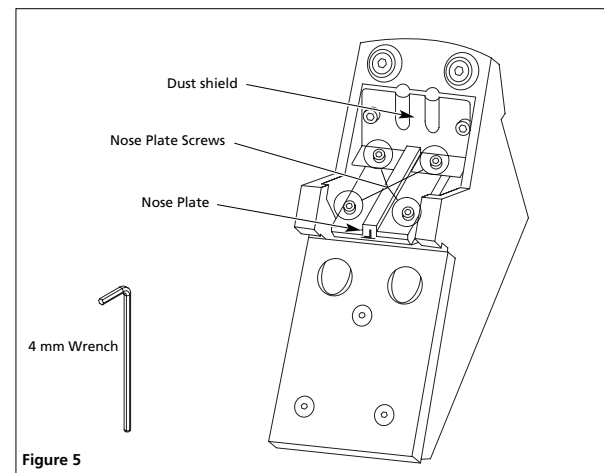


Figure 5

### Operating The Nailer (Continued)

#### CHANGING SHOE PLATES

1. Disconnect the air supply from the nailer.
2. Using provided 4 mm wrench, remove the three shoe screws.
3. Remove shoe plate; place new or alternate shoe. Make sure shoe is in the "up" position when attaching (See Figure 6).
4. Reattach screws (apply a good quantity of threadlock glue on screw threads before installing; tighten firmly).

#### SHOE PLATE SIZES

There are two shoe plates included with this tool. The 1/4" thin plate is for use on 3/4" thick hardwood flooring. The 5/16" thick plate is for use on 1/2" thick hardwood flooring.

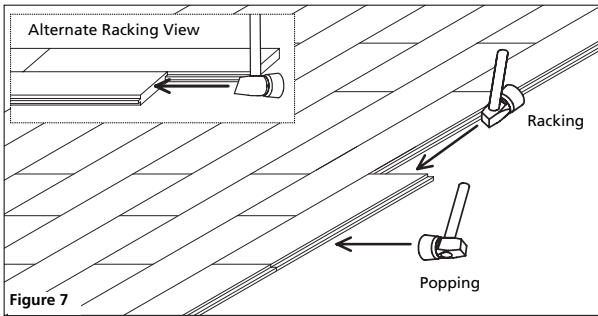
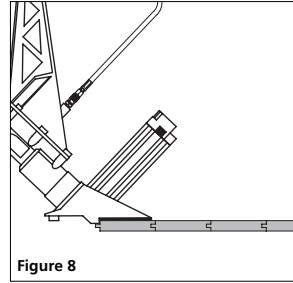
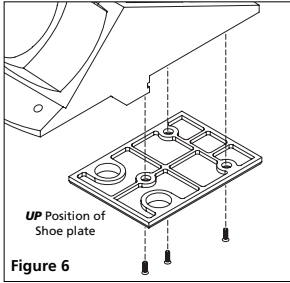
**NOTICE** To prevent damage to the flooring, use the correct shoe for the flooring being installed.

#### RACKING THE FLOORING (SEE FIGURE 7)

First refer to flooring manufacturer's preparation procedures regarding moisture content and floor preparation before laying the flooring boards.

To correctly install hardwood flooring, it must be properly racked before being nailed into place. After placing the first board, follow these instructions to rack the flooring:

1. Place flooring groove onto the tongue of previously installed board.
2. Use the rubber end of the mallet to "pop" the tongue into the groove.
3. Use the metal end of the mallet to rack the board tightly against adjacent board.



#### FIRING THE NAILER

1. Connect the air supply to the nailer.  
**Note:** Make sure the rubber bumper on the flooring nailer is in the up position before adding the air hose, if not, the nailer may cycle.

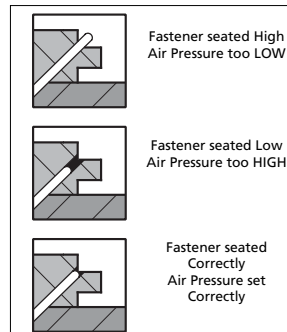
2. Load fasteners (see Loading the Nailer Section).

3. Place the tool on the floor as shown in Figure 8 with the shoe plate resting on the racked floor board. Make sure the fastener ejection nozzle is firmly placed against the board tongue.
4. Strike the tool's rubber bumper firmly with the rubber end of the mallet. The tool should cycle and drive fastener into floor board.

**⚠ DANGER** Do NOT fire the tool unless it is securely placed. If tool is not securely placed, there is a risk of flying fasteners that may cause death or serious injury.

#### FASTENER DEPTH & PLACEMENT

Refer to Figure 9 for correct depth and placement of fasteners in hardwood tongue. Use a scrap piece of the flooring to help determine correct air pressure settings. Damage to the tongue upon installation will make remaining project difficult.



### Notas

---

---

---

---

---

---

---

---

---

---

---

---

---

---

---

---

---

---

---

---

---

---

---

---

### Información de intercambio de sujetadores

Los sujetadores usados en la Clavadora/Agrapadora para Pisos CHN50399 de Campbell-Hausfeld sirven también para las siguientes marcas: Bostich, Porter Cable, Porta-nails, Primatch, Senco, Power Nail, Grip Rite, High Pro, B&C Eagle, Grizzly, y Craftsman.

### Guía de Diagnóstico de Averías

**ADVERTENCIA** Deje de usar la clavadora inmediatamente si alguno de los siguientes problemas ocurre. Podría resultar en heridas graves. Cualquier reparación o reemplazo de piezas los debe hacer un técnico calificado personal de un centro autorizado de servicio.

Problema	Causa	Solución
Fuerza insuficiente; ciclo lento	<ol style="list-style-type: none"> <li>1. La herramienta está demasiado seca</li> <li>2. La presión de aire es insuficiente</li> <li>3. El escape está bloqueado</li> </ol>	<ol style="list-style-type: none"> <li>1. Añada lubricante</li> <li>2. Verifique el equipo de suministro de aire</li> <li>3. Limpie el escape</li> </ol>
No dispara el sujetador o alimentación intermitente	<ol style="list-style-type: none"> <li>1. El resorte del mecanismo de impulso está dañado</li> <li>2. Se está usando un sujetador de tamaño inapropiado</li> <li>3. El cargador o la placa de desgaste están sucios</li> </ol>	<ol style="list-style-type: none"> <li>1. Reemplace el resorte</li> <li>2. Use sujetadores estándar</li> <li>3. Limpie el cargador y la boquilla</li> </ol>
Sujetador atascado en la herramienta	<ol style="list-style-type: none"> <li>1. El canal del mecanismo de impulso está desgastado</li> <li>2. El mecanismo de impulso está dañado o desgastado</li> <li>3. Los sujetadores están doblados</li> </ol>	<ol style="list-style-type: none"> <li>1. Reemplace la placa de desgaste</li> <li>2. Reemplace el mecanismo de impulso</li> <li>3. Use sujetadores estándar</li> </ol>

## Maintenance

### Technical Support

Please call our Nailer Hotline at 1-800-543-6400 with any questions regarding the operation or repair of this nailer or for additional copies of this manual.

### Replacement Parts

**WARNING** Use only genuine Campbell Hausfeld service parts. Tool performance, safety and durability could be reduced if improper parts are used. When ordering replacement parts, specify by part number.

### Nailer Repair

Only qualified personnel should repair the tool and they should use genuine Campbell Hausfeld replacement parts and accessories, or parts and accessories which perform equivalently.

### Assembly Procedure For Seals

When repairing a nailer, the internal parts must be cleaned and lubricated. Parker O-lube or equivalent must be used on all o-rings. Each o-ring must be coated with O-lube before assembling. A small amount of oil must be used on all moving surfaces and pivots. After reassembling, a few drops of 30W non-detergent oil or equivalent, must be added through the air line before testing.

### Fastener Interchange Information

Fasteners used in the Campbell Hausfeld CHN50399 Flooring Nailer / Stapler will also work in the following brand units: Bostich, Porter Cable, Porta-nails, Primatch, Senco, Power Nail, Grip Rite, High Pro, B&C Eagle, Grizzly, and Craftsman.

### Troubleshooting Guide

**WARNING** Stop using nailer immediately if any of the following problems occur. Serious personal injury could result. Any repairs or replacements must be done by a Qualified Service Person or Authorized Service Center.

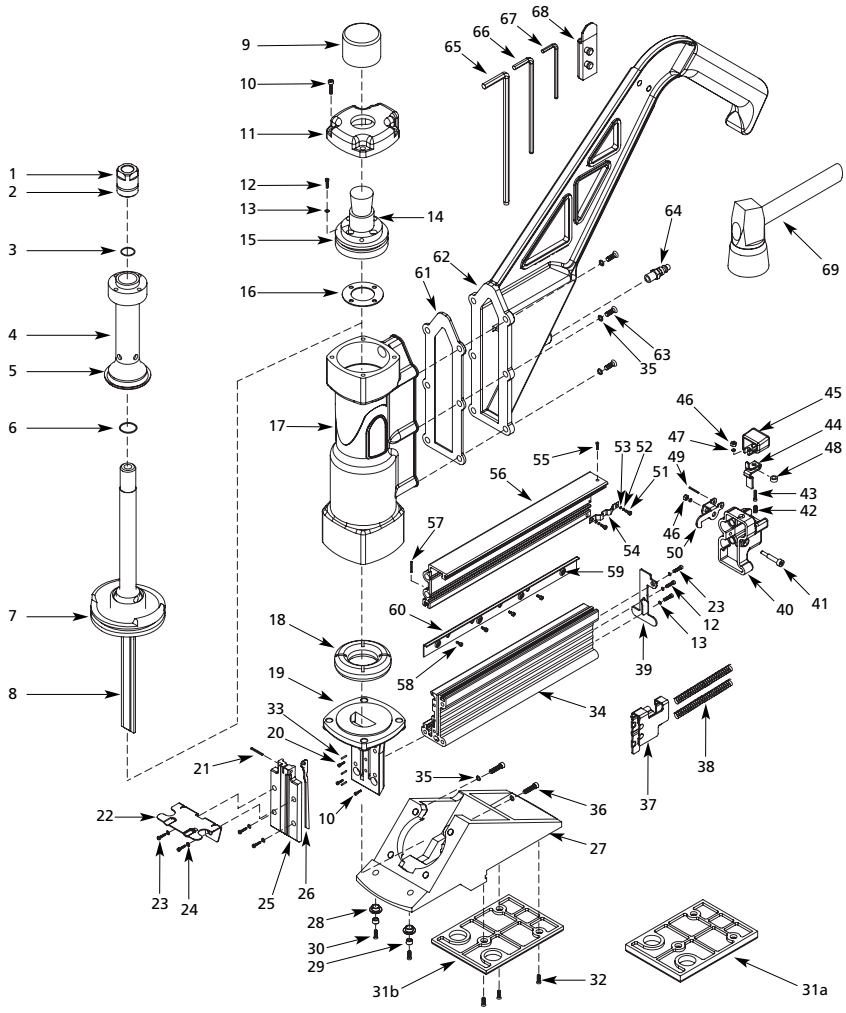
Problem	Cause	Solution
Lack of power; slow to cycle.	<ol style="list-style-type: none"> <li>1. Tool is too dry</li> <li>2. Air pressure is low</li> <li>3. Exhaust is blocked</li> </ol>	<ol style="list-style-type: none"> <li>1. Add lubricant</li> <li>2. Check air supply equipment</li> <li>3. Clean exhaust</li> </ol>
Shooting no fastener or intermittent feeding	<ol style="list-style-type: none"> <li>1. Damaged pusher spring</li> <li>2. Wrong size fastener is being used</li> <li>3. Magazine or wear plate is dirty</li> </ol>	<ol style="list-style-type: none"> <li>1. Replace spring</li> <li>2. Use standard fasteners</li> <li>3. Clean magazine and nose</li> </ol>
Fastener jammed in tool	<ol style="list-style-type: none"> <li>1. Driver channel is worn</li> <li>2. Driver is broken or worn</li> <li>3. Fasteners are bent</li> </ol>	<ol style="list-style-type: none"> <li>1. Replace wear plate</li> <li>2. Replace driver</li> <li>3. Use standard fasteners</li> </ol>

**For Replacement Parts or Technical Assistance, call 1-800-543-6400**

Please provide following information:

- Model number
- Serial number (if any)
- Part description and number as shown in parts list

Address any correspondence to:  
Campbell Hausfeld  
Attn: Customer Service  
100 Production Drive  
Harrison, OH 45030 U.S.A.



**Cómo usar la Clavadora (Continuación)**

**AJUSTE DE LOS LISTONES DEL PISO (VER LA FIGURA 7)**

Primero refiérase a las instrucciones de preparación del fabricante del piso sobre el contenido de humedad y la preparación del piso antes de colocar los listones.

Para instalar correctamente el piso de madera, es necesario ajustar correctamente los listones antes de clavarlos definitivamente. Después de colocar el primer listón, siga estas instrucciones para realizar el ajuste:

1. Encaje la ranura del listón sobre la lengüeta del listón anterior.
2. Use el extremo de caucho del mazo para "insertar" la lengüeta en la ranura.
3. Use el extremo de metal del mazo para ajustar firmemente el listón contra el listón adyacente.

**PARA DISPARAR LA CLAVADORA**

1. Conecte la clavadora a la fuente de suministro de aire.

**Nota:** Asegúrese de que la defensa de caucho de la clavadora se encuentre en la posición arriba antes de conectar la manguera de aire; de lo contrario, la clavadora puede realizar un ciclo.

2. Cargue los sujetadores (ver la sección Para cargar la clavadora).
3. Coloque la herramienta contra el listón como se indica en la Figura 8, con la placa de la zapata sobre el listón ya ajustado. Asegúrese de que la boquilla de salida del sujetador esté colocada firmemente contra la lengüeta del listón.
4. Golpee firmemente la defensa de caucho de la herramienta con el extremo de caucho del mazo e insertar el sujetador en el listón.

**⚠ PELIGRO** **NO dispare la herramienta si no está firmemente posicionada. Si la herramienta no está firmemente posicionada, hay riesgo de que unos sujetadores disparados causen muerte o lesiones graves.**

**POSICIÓN Y PROFUNDIDAD DEL SUJETADOR**

Refiérase a la Figura 9 para la profundidad y el posicionamiento correcto del sujetador en la lengüeta de madera. Use un pedazo de madera de rechazo del piso para ayudarse a determinar el ajuste correcto de la presión de aire. Un daño a la lengüeta en la instalación complicará lo que quede del proyecto.

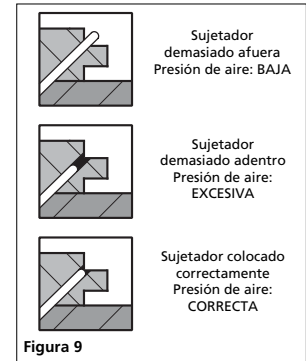


Figura 9

**Mantenimiento**

**Servicio Técnico**

Si desea hacer alguna pregunta referente a la reparación u operación de las clavadoras, o para solicitar copias adicionales de este manual, sírvase llamar a nuestro número especial, 1-800-543-6400.

**Repuestos**

**⚠ ADVERTENCIA** Use sólo repuestos originales Campbell Hausfeld. El desempeño de las herramientas, la seguridad y la duración pueden disminuir si no se utilizan los repuestos adecuados. Cuando ordene repuestos, especifique el número del repuesto.

**Para reparar la clavadora**

La herramienta deberá ser reparada únicamente por personal calificado, y deberán usar piezas de repuesto y accesorios originales Campbell Hausfeld, o piezas y accesorios que funcionen de manera equivalente.

**Para colocarle los sellos**

Cada vez que repare una clavadora deberá limpiarle y lubricarle las partes internas. Le recomendamos que use Parker O-lube o un lubricante equivalente en todos los anillos en O. A cada anillo en O se le debe dar un baño de lubricante para anillos antes de instalarlos. Igualmente, deberá ponerle un poco de aceite a todas las superficies y pivotes que se mueven. Finalmente, después de haberla ensamblado y antes de probar la herramienta, deberá ponerle unas cuantas gotas de aceite sin detergente 30W u otro aceite similar, en las líneas de aire.



## Cómo usar la Clavadora (Continuación)

### CÓMO DESATASCAR LA CLAVADORA (VER LA FIGURA 5)

1. Desconecte la clavadora del suministro de aire.
2. Retire las grapas o puntillas dentadas en L del cargador.
3. Con la llave de 4 mm incluida, retire los cuatro tornillos de la placa de la boquilla, las arandelas, la placa de la boquilla y el protector contra el polvo.
4. Con una herramienta pequeña, saque el sujetador atascado.
5. Vuelva a colocar todas las piezas (aplique una buena cantidad de pegante para roscas en la rosca de los tornillos antes de instalar; apriete firmemente).

### PARA CAMBIAR LA PLACA DE LA ZAPATA

1. Desconecte la clavadora del suministro de aire.
2. Con la llave de 4 mm incluida, retire los tres tornillos de la zapata.
3. Retire la placa de la zapata; coloque la zapata nueva o la alternativa. Asegúrese de que la zapata se encuentre en la posición superior cuando la sujete (ver figura 6).
4. Vuelva a colocar los tornillos (aplique una buena cantidad de pegante para roscas en la rosca de los tornillos antes de instalar; apriete firmemente).

### TAMAÑOS DE LA PLACA DE LA ZAPATA

Esta herramienta viene con dos placas para la zapata. La placa delgada de 1/4" (6 mm) es apta para pisos de madera de 3/4" (19 mm) de grueso. La placa gruesa de 5/16" (8 mm) es apta para pisos de madera de 1/2" (13 mm) de grueso.

**AVISO** Para prevenir daños al piso, use la zapata correcta para el piso que va a instalar.

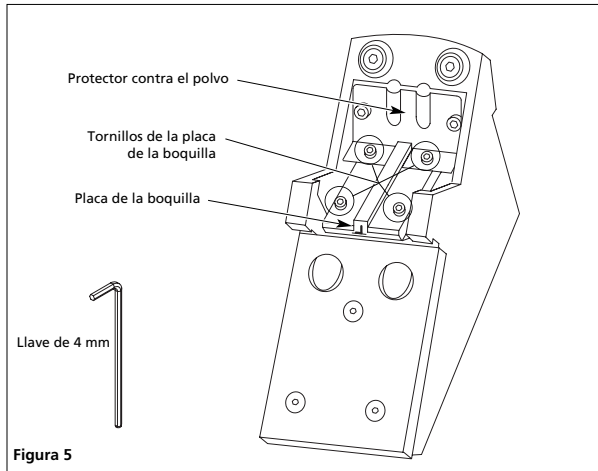


Figura 5

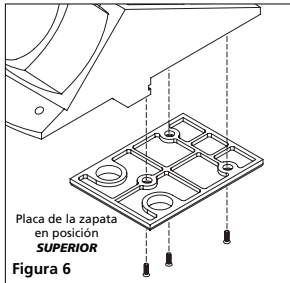


Figura 6

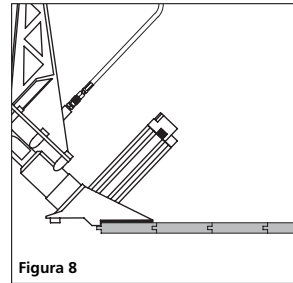


Figura 8

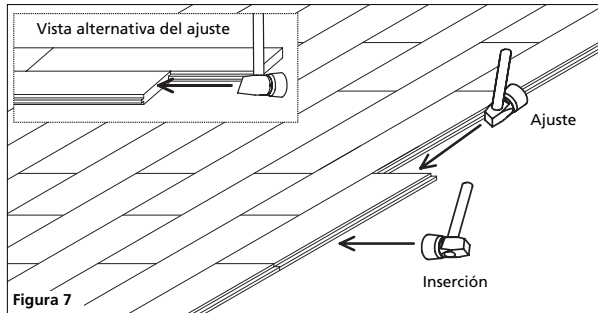


Figura 7

## NEED PART NUMBERS!!

Model CHN50399

### Replacement Parts List

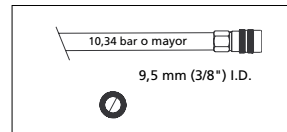
Ref. No.	Description	Part Number	Qty	Ref. No.	Description	Part Number	Qty
1	Piston head	SX140100AV	1	45	Magazine latch button	SX144600AV	1
2	O-ring - 19.2 x 1.8	▲	1	46	Nut - M4	*	1
3	O-ring - 15.9 x 1.8	▲	1	47	Washer	*	1
4	Valve cylinder	SX140400AV	1	48	Bushing	SX144900AV	1
5	O-ring - 42.5 x 5.4	▲	1	49	Spring pin - 3 x 12	*	1
6	O-ring - 17.5 x 2.6	▲	1	50	Magazine latch hook	SX145100AV	1
7	O-ring - 57.4 x 3.5	▲	1	51	Screw - M3 x 5	*	1
8	Piston assembly	SX140800AV	1	52	Washer	*	1
9	Rubber head	SX140900AV	1	53	Spring washer	*	1
10	Screw - M5 x 20	*	1	54	Leaf spring	SX145500AV	1
11	Head cap	SX141100AV	1	55	Screw - M3 x 8	*	1
12	Screw - M4 x 20	*	1	56	Magazine door	SX145700AV	1
13	Spring washer	*	1	57	Spring pin - 2.5 x 10	*	1
14	Actuator	SX141400AV	1	58	Screw - M3 x 6	*	1
15	O-ring - 54.2 x 3.5	▲	1	59	Magnet	SX146000AV	3
16	Seal	▲	1	60	Rail	SX146100AV	1
17	Body	--	1	61	Gasket	SX146200AV	1
18	Bumper	SX141800AV	1	62	Arm	--	1
19	Nose	SX141900AV	1	63	Screw - M6 x 25	*	1
20	Screw - M3 x 20	*	1	64	Air plug	*	1
21	Spring pin - 3 x 14	*	1	65	5 mm Wrench	■	1
22	Dust shield	SX142200AV	1	66	4 mm Wrench	■	1
23	Screw - M5 x 14	*	1	67	3 mm Wrench	■	1
24	Spring washer	*	1	68	Wrench holder	■	1
25	Blade guide	SX142500AV	1	69	Hammer	SX147000AV	1
26	Cleat guide	SX142600AV	1	<b>REPLACEMENT PARTS KITS</b>			
27	Shoe	--	1	▲	Complete O-ring kit	SKN09100AV	
28	Rubber foot	SX142800AV	2	■	Wrench kit	SKN09200AV	
29	Bushing	SX142900AV	1	*	Standard hardware item - available at your local hardware store		
30	Screw - M6 x 16	*	1				
31a	Shoe Plate (thick) 5/16"	SX143100AV	1				
31b	Shoe Plate (thin) 1/4"	SX143200AV	1				
32	Screw - M6 x 12	*	1				
33	Spring pin - 2 x 14	*	1				
34	Magazine	SX143500AV	1				
35	Spring washer	*	1				
36	Screw - M6 x 35	*	1				
37	Pusher	SX143800AV	1				
38	Pusher spring	SX143900AV	2				
39	Magazine end plate	SX144000AV	1				
40	Magazine end cap	SX144100AV	1				
41	Screw	*	1				
42	Spring	SX144300AV	1				
43	Screw - M4 x 16	*	1				
44	Limitter plate	SX144500AV	1				

### Limited Warranty

1. DURATION: From the date of purchase by the original purchaser as follows: Standard Duty Products - One Year, Serious Duty Products - Two Years, Extreme Duty Products - Three Years.
2. WHO GIVES THIS WARRANTY (WARRANTOR): Campbell Hausfeld / Scott Fetzer Company, 100 Production Drive, Harrison, Ohio, 45030, Telephone: (800) 543-6400
3. WHO RECEIVES THIS WARRANTY (PURCHASER): The original purchaser (other than for purposes of resale) of the Campbell Hausfeld product.
4. WHAT PRODUCTS ARE COVERED BY THIS WARRANTY: Any Campbell Hausfeld nailer, stapler, air tool, spray gun, inflator or air accessory supplied or manufactured by Warrantor.
5. WHAT IS COVERED UNDER THIS WARRANTY: Substantial defects in material and workmanship which occur within the duration of the warranty period.
6. WHAT IS NOT COVERED UNDER THIS WARRANTY:
  - A. Implied warranties, including those of merchantability and FITNESS FOR A PARTICULAR PURPOSE ARE LIMITED FROM THE DATE OF ORIGINAL PURCHASE AS STATED IN THE DURATION. If this product is used for commercial, industrial or rental purposes, the warranty will apply for ninety (90) days from the date of purchase. Some States do not allow limitation on how long an implied warranty lasts, so the above limitations may not apply to you.
  - B. ANY INCIDENTAL, INDIRECT, OR CONSEQUENTIAL LOSS, DAMAGE, OR EXPENSE THAT MAY RESULT FROM ANY DEFECT, FAILURE, OR MALFUNCTION OF THE CAMPBELL HAUSFELD PRODUCT. Some States do not allow the exclusion or limitation of incidental or consequential damages, so the above limitation or exclusion may not apply to you.
  - C. Any failure that results from an accident, purchaser's abuse, neglect or failure to operate products in accordance with instructions provided in the owner's manual(s) supplied with product. Accident, purchaser's abuse, neglect or failure to operate products in accordance with instructions shall also include the removal or alteration of any safety devices. If such safety devices are removed or altered, this warranty is void.
  - D. Normal adjustments which are explained in the owner's manual(s) provided with the product.
  - E. Items or service that are normally required to maintain the product, i.e. o-rings, springs, bumpers, debris shields, driver blades, fuses, batteries, gaskets, packings or seals, fluid nozzles, needles, sandblast nozzles, lubricants, material hoses, filter elements, motor vanes, abrasives, blades, cut-off wheels, chisels, chisel retainers, cutters, collets, chucks, rivet jaws, screw driver bits, sanding pads, back-up pads, impact mechanism, or any other expendable part not specifically listed. These items will only be covered for ninety (90) days from date of original purchase. Underlined items are warranted for defects in material and workmanship only.
7. RESPONSIBILITIES OF WARRANTOR UNDER THIS WARRANTY: Repair or replace, at Warrantor's option, products or components which are defective, have malfunctioned and/or failed to conform within duration of the warranty period.
8. RESPONSIBILITIES OF PURCHASER UNDER THIS WARRANTY:
  - A. Provide dated proof of purchase and maintenance records.
  - B. Deliver or ship the Campbell Hausfeld product or component to the nearest Campbell Hausfeld Authorized Service Center. Freight costs, if any, must be borne by the purchaser.
  - C. Use reasonable care in the operation and maintenance of the products as described in the owner's manual(s).
9. WHEN WARRANTOR WILL PERFORM REPAIR OR REPLACEMENT UNDER THIS WARRANTY: Repair or replacement will be scheduled and serviced according to the normal work flow at the servicing location, and depending on the availability of replacement parts.

This Limited Warranty applies in the United States, Canada and Mexico only and gives you specific legal rights. You may also have other rights which vary from state to state or country to country.

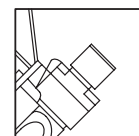
### Cómo usar la Clavadora (Continuación)



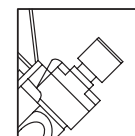
4. Use un regulador de presión (de 0 bar - 8,62 bar) en el compresor. Se necesita un regulador de presión para controlar la presión de operación de la clavadora entre 4,83 bar y 6,21 bar.

**⚠ ADVERTENCIA** Una herramienta que funciona de manera inadecuada no debe usarse. No active la herramienta a menos que esté colocada firmemente contra la pieza de trabajo.

**Nota:** Asegúrese de que la defensa de caucho de la clavadora se encuentre en la posición arriba antes de conectar la manguera de aire; de lo contrario, la clavadora puede realizar un ciclo (ver a continuación).



Defensa de caucho en posición abajo



Defensa de caucho en posición arriba

### PARA CARGAR Y DESCARGAR LA CLAVADORA

Siempre **conecte** la herramienta a la fuente de suministro de aire antes de **colocarle** los clavos.

#### Para cargar grapas

1. Sostenga firmemente la herramienta, presione la traba y hable la puerta del cargador (ver figura 1).
2. Coloque las grapas a horcahadas en la parte superior del cargador (ver figura 2).
3. Cierre y trabe la puerta del cargador en su lugar (ver figura 3).

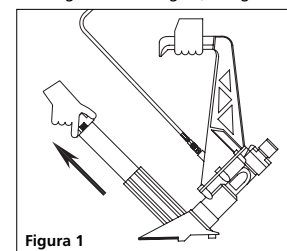


Figura 1

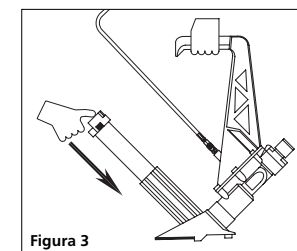


Figura 3

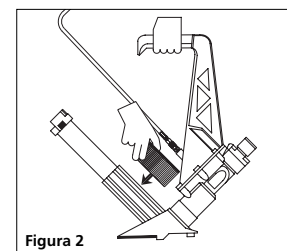


Figura 2

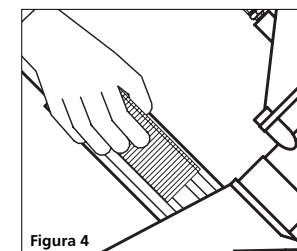


Figura 4

### Para cargar puntillas dentadas en L

1. Sostenga firmemente la herramienta, presione la traba y hable la puerta del cargador (ver figura 1).
2. Coloque en el cargador puntillas dentadas en L del tipo y tamaño indicados, desde el lado. La cabeza de las puntillas dentadas en L debe insertarse en la ranura en la parte fija del cargador (ver figura 4).
3. Cierre y trabe la puerta del cargador en su lugar (ver figura 3).

## Información General de Seguridad (Continuación)

- Los compresores de aire usados para suministrarle aire a la clavadora deben cumplir los requerimientos establecidos por la organización norteamericana ANSI en el código B19.3-1991; sobre seguridad y estándares para compresores de aire industriales. Contacte al fabricante de su compresor de aire para mayor información.

Los símbolos de PELIGRO, ADVERTENCIA, PRECAUCIÓN, y AVISO y las instrucciones en este manual no pueden posiblemente cubrir todas las condiciones y situaciones posibles que puedan presentarse. El usuario debe entender que las precauciones y el sentido común son factores que no pueden incorporarse en este producto: es el usuario mismo quien debe contribuirlos.

### AVISO

LEA TODAS LAS ADVERTENCIAS, PROCEDIMIENTOS E INSTRUCCIONES DEL FABRICANTE DEL PISO ANTES DE USAR ESTA HERRAMIENTA. LA INFORMACIÓN PROPORCIONADA POR EL FABRICANTE DEL PISO DEBE APLICARSE.

## Cómo usar la Clavadora

### LUBRICACION

Esta clavadora requiere lubricación antes de usarse por primera vez y antes de cada uso. Si utiliza un lubricador incorporado a la línea, **no tendrá** que lubricarla manualmente a diario.

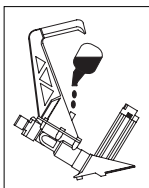
### AVISO

La superficie de trabajo se podría dañar debido a la lubricación excesiva. La lubricación adecuada es la responsabilidad del propietario. Si no lubrica la clavadora adecuadamente, esta se dañará rápidamente y la garantía se cancelaría.

- Desconecte la clavadora de la fuente de suministro de aire para lubricarla.



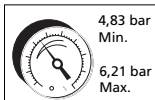
- Gire la clavadora de modo que la entrada de aire quede mirando hacia arriba. Agregue de 4 a 5 gotas de aceite sin detergente 30W en la entrada de aire. No use aceites con detergentes, aditivos de aceite, ni aceites para herramientas neumáticas. Los aceites para herramientas neumáticas contienen solventes que pueden averiar los componentes internos de la clavadora.



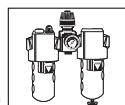
### CONEXIÓN RECOMENDADA

La ilustración de abajo le muestra la conexión recomendada para la clavadora.

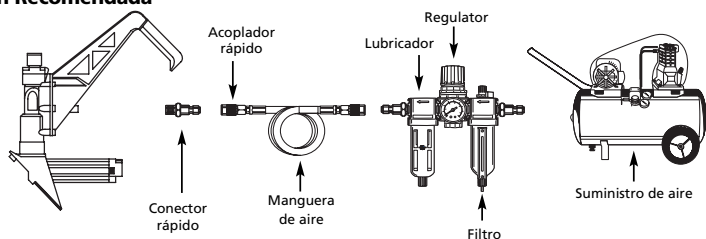
- El compresor de aire debe tener la capacidad de suministrar un mínimo de 4,83 bar cuando la clavadora esté en uso. Si el suministro de aire es inadecuado podría haber pérdida de potencia y falta de consistencia en el funcionamiento.
- Puede utilizar un lubricador para lubricar la clavadora. Igualmente, puede utilizar un filtro para remover las impurezas líquidas y sólidas que podrían oxidar u obstruir las partes internas de la clavadora.
- Use siempre mangueras de suministro de aire, con una presión mínima de funcionamiento con clasificación igual o mayor que la presión de la fuente de energía si falla un regulador, o 10,34 bar, lo que sea mayor. Use mangueras de aire de 9,5 mm (3/8") para distancias de hasta 15 m (50') ó más. Para un mejor rendimiento, instálele a la clavadora un conector rápido de 9,5 mm (3/8") (con roscas de 6,4 mm 1/4"-NPT) cuyo diámetro interno sea de 8 mm (0,315") y un acoplador rápido de 9,5 mm (3/8") a la manguera de aire.



4,83 bar Min.  
6,21 bar Max.



### Conexión Recomendada



Voir la Garantie à la page 22 pour de l'information importante sur l'utilisation commerciale de ce produit.

## Instructions d'Utilisation et Manual de Pièces

Modèle CHN50399

S'il vous plaît lire et conserver ces instructions. Lire attentivement avant de monter, installer, utiliser ou de procéder à l'entretien du produit décrit. Se protéger ainsi que les autres en observant toutes les instructions de sécurité, sinon, il y a risque de blessure et/ou dégâts matériels! Conserver ces instructions comme référence.



# Cloueuse / agrafeuse de parquet

## Table des Matières

Généralités sur la Sécurité . . . 11-14  
Spécifications . . . . . 12  
Utilisation de la Cloueuse . . . 14-17  
Guide de Dépannage . . . . . 18  
Pièces de Rechange . . . . . 20-21  
Garantie . . . . . 22

## Description

Cette cloueuse est conçue pour l'installation de parquet de bois dur non fini de 19 mm (3/4 po) et de 13 mm (1/2 po) d'épaisseur. Elle peut servir pour installer un parquet préfini, mais à ce moment il faut être prudent pour ne pas endommager le fini avec l'outil.

### DÉBALLAGE

En débarrant, vérifier et s'assurer que tous les accessoires sont inclus. S'il manque ou si quelque chose est brisé, appeler d'abord le 1-800-543-6400 pour obtenir de l'aide.

## Généralités sur la Sécurité

Ce manuel contient de l'information très importante qui est fournie pour la SÉCURITÉ et pour ÉVITER LES PROBLÈMES D'ÉQUIPEMENT. Rechercher les symboles suivants pour cette information.

**▲ DANGER** Danger indique une situation dangereuse imminente qui MÈNERA à la mort ou à des blessures graves si elle n'est pas évitée.

**▲ AVERTISSEMENT** Avertissement indique une situation potentiellement dangereuse qui, si elle n'est pas évitée, POURRAIT mener à la mort ou à de graves blessures.



### ▲ ATTENTION

Attention indique une situation potentiellement dangereuse qui, si elle n'est pas évitée, PEUT mener à des blessures mineures ou modérées.

**AVIS** Avis indique de l'information importante qui pourrait endommager l'équipement si elle n'est pas respectée.

### PROPOSITION 65 CALIFORNIE

**▲ DANGER** Vous pouvez créer de la poussière en coupant, ponçant, perçant ou meulant les matériaux tels que le bois, la peinture, le métal, le béton, le ciment ou autre maçonnerie. Cette poussière contient souvent des produits chimiques reconnus pour causer le cancer, les déformations congénitales



Trouver le numéro de modèle sur le chargeur et le code de date sur le corps de l'outil et les inscrire plus bas.  
N° du Modèle \_\_\_\_\_  
Code Date \_\_\_\_\_  
Conserver ces numéros comme référence.

ou autres problèmes de la reproduction. Portez de l'équipement de protection.

Ce manuel contient des informations concernant la sécurité, le fonctionnement et l'entretien. Contacter votre représentant Campbell Hausfeld si vous avez des questions.

MÉMENTO : Gardez votre preuve datée d'achat à fin de la garantie ! Joignez-la à ce manuel ou classez-la dans un dossier pour plus de sécurité.

## Généralités sur la Sécurité (suite)

### RESPONSABILITÉ DE L'UTILISATEUR

L'opérateur de l'outil est responsable de :

- Lire et comprendre les étiquettes et le manuel sur les outils.
- Choisir un système d'activation de l'outil approprié en tenant compte de l'application de travail prévue pour l'outil.
- L'utilisation sécuritaire de l'outil.
- S'assurer que l'outil est utilisé seulement lorsque l'opérateur et tout autre personnel dans l'aire de travail portent un équipement de protection oculaire ANSI Z87 et, s'il y a lieu, d'autre équipement de protection approprié tel que de l'équipement de protection pour la tête, les oreilles et les pieds. Il pourrait y avoir de graves lésions oculaires ou perte auditive.
- S'assurer que l'outil soit conservé en bon état tel que décrit dans ce manuel.



### RESPONSABILITÉ DE L'EMPLOYEUR

- Choisir un système d'activation de l'outil approprié en tenant compte de l'application de travail prévue pour l'outil.
- S'assurer que ce manuel soit disponible pour les opérateurs et le personnel responsable de l'entretien.
- L'utilisation sécuritaire de l'outil.
- S'assurer que l'outil est utilisé seulement lorsque l'opérateur et tout autre personnel dans l'aire de travail portent un équipement de protection oculaire ANSI Z87 et, s'il y a lieu, d'autre équipement de protection approprié tel que de l'équipement de protection pour la tête, les oreilles et les pieds. Il pourrait y avoir de graves lésions oculaires ou perte auditive.
- S'assurer que l'outil soit conservé en bon état tel que décrit dans ce manuel.
- S'assurer du bon entretien de tous les outils de l'employeur.
- S'assurer que les outils qui doivent être réparés ne soient plus utilisés avant leur réparation. Les moyens de contrôle sont les étiquettes et la ségrégation physique.



### ⚠ DANGER

- Lire et comprendre les étiquettes et le manuel sur les outils. Ne pas suivre les avertissements, les dangers et les mises en garde pourrait causer la MORT ou de GRAVES BLESSURES.



- Ne pas utiliser comme source d'alimentation tout type de gaz réactif, y compris, mais sans s'y limiter, de l'oxygène et des gaz combustibles. Utiliser seulement de l'air comprimé filtré, lubrifié et réglé. Utiliser un gaz réactif au lieu d'air comprimé pourrait faire exploser la cloueuse ce qui pourrait provoquer des blessures graves voire la mort.

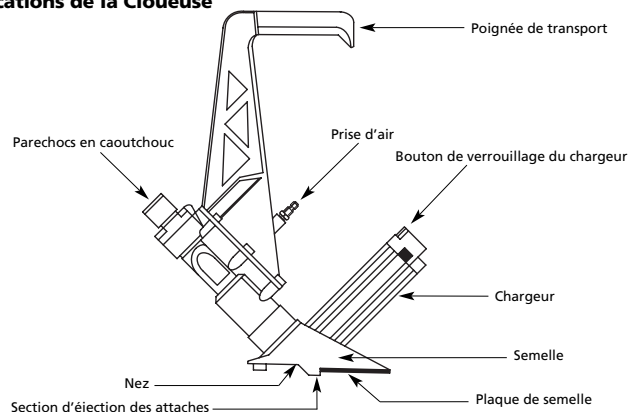


- Utiliser seulement une source d'air comprimé à pression pour limiter la pression d'air fournie à l'outil. La pression contrôlée ne doit pas dépasser 620 kPa. S'il y a une défaillance du régulateur, la pression livrée à l'outil ne doit pas dépasser 1 379 kPa. La cloueuse pourrait exploser ce qui pourrait mener à la mort ou à des blessures graves.



## Pièces Détachées et Spécifications de la Cloueuse

- **EXIGENCES** : 4,3 PCNM en moyenne utilisant 60 attaches à 550 kPa
- **PRISE D'AIR** : 1/4" NPT
- **TAILLES DE CLOUS** : Agrafe à couronne de parquet de 13 mm (1/2 po) de calibre 15 1/2 : 38 à 5 mm (1 1/2 po à 2 po) Agrafes de parquet à tête en L de calibre 16 : 38 à 5 mm (1 1/2 po à 2 po)
- **CAPACITÉ DU CHARGEUR** : 100 attaches
- **POIDS** : 4,54 kg
- **LONGUEUR** : 42 cm (16,5 po)
- **HAUTEUR** : 58 cm (23 po)
- **PRESSION MAXIMALE** : 620 kPa
- **GAMME DE PRESSION** : 482 - 620 kPa



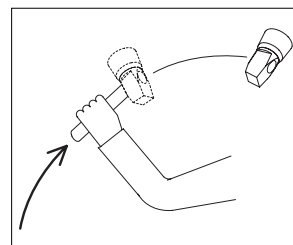
## Información General de Seguridad (Continuación)

- Nunca limpie la clavadora con gasolina o ningún otro líquido inflamable. Nunca use la clavadora en la cercanías de líquidos o gases inflamables. Una chispa podría encender los vapores y ocasionar una explosión que podría ocasionarle la muerte o heridas graves.



### ⚠ PELIGRO

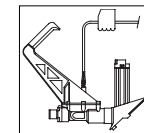
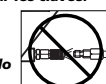
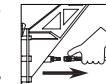
- Asegúrese de que la herramienta esté colocada correctamente antes de disparar (ver la sección Cómo usar la clavadora). Si la herramienta no está firmemente posicionada, hay riesgo de que unos sujetadores disparados causen muerte o lesiones graves.
- Asegúrese de que la cabeza del mazo esté bien sujeta al mango del mazo. No lo use si la cabeza no está bien sujeta. Una cabeza no bien sujeta puede desprenderse y causar la muerte o lesiones personales graves.



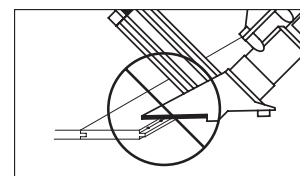
- Para golpear la defensa de caucho, use siempre el extremo de caucho del mazo. El usar el extremo de metal puede dañar la herramienta. El extremo de metal puede usarse sólo para ajustar los listones del piso.

### ⚠ ADVERTENCIA

- Desconecte siempre la herramienta de la fuente de energía cuando no la esté atendiendo, cuando le esté realizando mantenimiento o reparaciones, desobstruyéndola o moviéndola a un nuevo sitio. Siempre vuelva a conectar la tubería de aire ANTES de cargar los clavos.
- Siempre ajuste la herramienta con un conector o acoplador de mangueras colocado en o cerca de la herramienta de un modo tal que se descargue todo el aire comprimido en la herramienta en el momento en que se desconecte el conector o acoplador. No use una válvula de chequeo o ninguna conexión que permita que el aire permanezca en la clavadora. Se puede producir la muerte o lesiones personales graves.
- Nunca cargue la clavadora por la manguera de la manguera de aire ni hale la manguera para mover la clavadora o el compresor de aire. Mantenga las mangueras alejadas del calor, aceite y objetos puntiagudos. Reemplace cualquier manguera que esté dañada, débil o desgastada. Esto podría ocasionar heridas o daños a la herramienta.



- No opere la clavadora ni permita que otros la operen si las etiquetas de advertencia están ilegibles. Éstas se encuentran en el cargador o el cuerpo de la clavadora.
- No clave un clavo encima de otro. El clavo podría saltar y ocasionarle la muerte o heridas graves.



- Siempre asuma que la clavadora tiene clavos. Respete la herramienta como un implemento de trabajo; no juegue con ella. Siempre mantenga a los demás a una distancia segura del área de trabajo, en caso de una descarga accidental de clavos. No apunte con la herramienta hacia usted o hacia otra persona, ya sea que contenga o no clavos. El disparo accidental de la clavadora podría resultar en la muerte o en graves lesiones personales.
- No deje que la herramienta se caiga ni la tire. Esto podría dañarla o convertirla en algo peligroso de usar. En caso de que la herramienta se haya caído o la hayan tirado, revise con cuidado a ver si está doblada o rota, si tiene alguna pieza dañada o tiene fugas de aire. DEJE de trabajar y repárela antes de usarla o podría ocasionarle heridas graves.

### ⚠ PRECAUCION

- No haga ninguna modificación a la herramienta sin obtener primero la aprobación por escrito de Campbell Hausfeld. No use la clavadora si le faltan alguna de las tapas protectoras o si éstas han sido modificadas. No use la clavadora como un martillo. Se pueden producir lesiones personales o daños a la herramienta.
- Evite trabajar con esta clavadora por largos periodos. Deje de usar la clavadora si siente dolor en las manos o en los brazos.
- No coloque bruscamente la herramienta sobre pisos pre-acabados. El colocar la herramienta sin cuidado puede marcar o dañar el piso.

### ⚠ AVISO

- Evite usar la clavadora cuando el cargador está vacío. Esto podría acelerar su desgaste.
- Limpie y cheque todas las mangueras de suministro de aire y conexiones antes de conectar la clavadora al compresor. Reemplace las mangueras y conexiones que estén dañadas o desgastadas. El rendimiento de la herramienta o su durabilidad podrían reducirse.

## Información General de Seguridad (Continuación)

### RESPONSABILIDAD DEL OPERADOR:

El operador de la herramienta es responsable de:

- Leer y comprender las etiquetas y el manual de la herramienta.
- Seleccionar un sistema de activación de la herramienta adecuado, tomando en cuenta la aplicación de trabajo para la cual se usa la herramienta.
- El uso seguro de la herramienta.
- Asegurarse de que la herramienta se use únicamente cuando el operador y todo el resto del personal en el área de trabajo estén usando equipo de protección ocular ANSI Z87 y demás equipo de protección de cabeza, oídos y pies. Pueden ocasionarse lesiones graves o permanentes de ojos y oídos.
- Asegurarse de que la herramienta se mantenga en un orden de trabajo seguro según se describe en este manual.



### RESPONSABILIDAD DEL EMPLEADOR:

- Seleccionar un sistema de activación de la herramienta adecuado, tomando en cuenta la aplicación de trabajo para la cual se usa la herramienta.
- Asegurarse de que este manual esté disponible para los operadores y el personal que esté realizando el mantenimiento.
- El uso seguro de la herramienta.
- Exigir que la herramienta se use únicamente cuando el operador y todo el resto del personal en el área de trabajo estén usando equipo de protección ocular ANSI Z87 y demás equipo de protección de cabeza, oídos y pies. Pueden ocasionarse lesiones graves o permanentes de ojos y oídos.
- Asegurarse de que la herramienta se mantenga en un orden de trabajo seguro según se describe en este manual.
- Asegurar el mantenimiento adecuado de todas las herramientas en posesión del empleador.
- Asegurarse de que las herramientas que requieran reparación no se usen antes de ser reparadas. Se recomiendan el uso de etiquetas y el retiro físico de la herramienta como medidas de control.



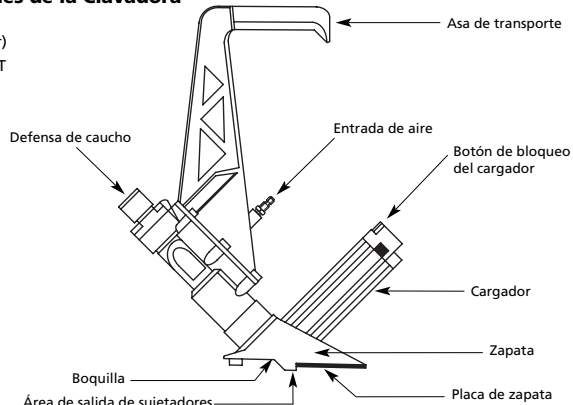
### ⚠ PELIGRO

- **Lea y comprenda las etiquetas y el manual de la herramienta. Si no respeta las advertencias, los riesgos y las recomendaciones, eso podría resultar en la MUERTE o en LESIONES GRAVES.**
- **No use ningún tipo de gas reactivo, incluyendo, pero no limitado a, oxígeno y gases combustibles, como fuente de energía. Use sólo aire comprimido filtrado, lubricado y regulado. El uso de un gas reactivo en vez de aire comprimido puede provocar que la clavadora explote, lo cual puede ocasionar la muerte o graves lesiones personales.**
- **Use solamente una fuente de aire comprimido de presión regulada para limitar la presión de aire suministrada a la herramienta. La presión regulada no debe exceder los 6,21 bar. Si el regulador falla, la presión transmitida a la herramienta no debe exceder los 13,79 bar. La clavadora puede explotar, lo cual puede ocasionar la muerte o graves lesiones personales.**



## Componentes y Especificaciones de la Clavadora

- **REQUIERE:** 4,3 SCFM promedio usando 60 sujetadores a 80 psi (5,5 bar)
- **ENTRADA DE AIRE:** 6.4 mm (1/4") NPT
- **RANGO DE LOS CLAVOS:**  
Grapas corona para pisos de 1/2" cal. 15-1/2": 1-1/2" a 2"  
Puntillas dentadas el L cal. 16: 1-1/2" a 2"
- **CAPACIDAD DEL CARGADOR:**  
110 sujetadores
- **PESO:** 4,54 kg (10 lb)
- **LONGITUD:** 16,5"
- **ALTURA:** 23"
- **PRESION MAXIMA:** 6,21 bar
- **RANGO DE LA PRESION:**  
4,83 bar - 6,21 bar



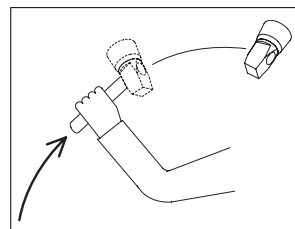
## Généralités sur la Sécurité (suite)

- **Ne jamais utiliser de l'essence ni les fluides inflammables pour le nettoyage de la cloueuse. Ne jamais utiliser la cloueuse près d'un liquide ou gaz inflammable. Une étincelle peut allumer les vapeurs et causer une explosion qui peut résulter en perte de vie ou blessures graves personnelles.**



### ⚠ DANGER

- **S'assurer que l'outil est bien positionné avant le dégageage (voir la section Utilisation de la cloueuse). Si l'outil n'est pas bien positionné, il y a le risque que l'éjection accidentelle des attaches puisse causer la mort ou de blessures graves.**
- **S'assurer que la tête du maillet soit bien installée sur le manche. Ne pas utiliser si la tête n'est pas bien installée. Une tête non sécurisée pourrait s'envoler et mener à des blessures graves ou à la mort.**



- **Toujours utiliser l'extrémité de caoutchouc du maillet seulement pour frapper le butoir de caoutchouc. Utiliser l'extrémité de métal pourrait endommager l'outil. Cette extrémité ne doit être utilisée que pour monter les lames de parquet.**

### ⚠ AVERTISSEMENT

- **Toujours débrancher l'outil de la source de courant en votre absence, en effectuant des réparations ou son entretien, en débloquant l'appareil ou en le déplaçant ailleurs. Le raccordement du tuyau d'air comprimé doit toujours s'effectuer AVANT le chargement du magasin.**

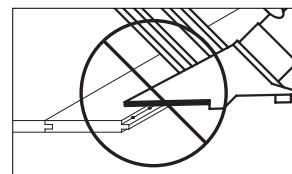
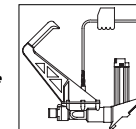


- **Toujours installer un raccord sur un tuyau de raccord sur ou près de l'outil afin que tout air comprimé de l'outil soit déchargé au moment où l'on débranche le raccord ou le boyau. Ne pas utiliser un clapet ni autre raccord qui permet que l'air reste dans la cloueuse. Cela peut entraîner des blessures graves ou mortelles.**



### ⚠ AVERTISSEMENT

- **Ne jamais transporter la cloueuse par le tuyau à air. Ne jamais tirer sur le tuyau pour déplacer la cloueuse ou le compresseur. Garder le tuyau à air à l'écart de la chaleur, l'huile et les objets pointus. Remplacer les tuyaux endommagés, faibles ou usés. Sinon, il y a risque de blessures personnelles ou de dommage à l'outil.**
- **Ne pas utiliser la cloueuse ni permettre qu'une autre personne l'utilise si les avertissements ou les étiquettes d'avertissement situés sur le chargeur et corps de la cloueuse ne sont pas lisibles.**
- **Ne jamais enfoncer les dous un pirochess l'autre. Le clou pourrait ricocher et causer la mort ou une blessure grave de perforation.**



- **Toujours prendre pour acquis que la cloueuse contient des clous. Respecter l'outil comme accessoire de travail non pas un jouet. Donc aucun jeu brutal. Toujours garder les autres personnes à une distance de sécurité de l'aire de travail en cas de décharge accidentelle des clous. Ne pas pointer l'outil vers vous ou vers quelqu'un d'autre qu'il y ait ou non des attaches dans la cloueuse. Le déclenchement accidentel de la cloueuse pourrait causer la mort ou de graves blessures.**
- **Ne pas échapper ni jeter l'outil car ceci peut causer du dommage le rendant dangereux à utiliser. Si l'outil s'est fait courbé, fendu ou s'il y a des fuites ou pièces détachées endommagées. ARRÊTER et réparer avant d'utiliser, sinon, il y a risque de blessures graves.**

### ⚠ ATTENTION

- **Ne pas apporter de modifications à l'outil sans d'abord obtenir une approbation écrite de Campbell Hausfeld. N'utilisez pas une cloueuse si les écrans ou protecteurs ont été enlevés ou altérés. Ne pas utiliser la cloueuse comme un marteau. Cela peut entraîner des blessures ou endommager l'appareil.**
- **Éviter d'utiliser la cloueuse pour une période de temps prolongée. Cesser d'utiliser la cloueuse si l'on ressent des douleurs dans les mains ou dans les bras.**
- **Ne pas placer l'outil sur le parquet préfini d'une manière inappropriée. Mal placer l'outil pourrait marquer ou endommager le parquet.**

### AVIS

- **Éviter d'utiliser la cloueuse lorsque le chargeur est vide. Sinon, il y a risque d'usure accélérée de l'outil.**
- **Nettoyer et vérifier tous les tuyaux et raccords avant de brancher la cloueuse au compresseur d'air. Remplacer les tuyaux ou les raccords endommagés ou usés, sinon, le rendement et la durabilité de l'outil seront affectés.**

## Généralités sur la Sécurité (suite)

### AVIS

- Le compresseur d'air utilisé avec cette cloueuse doit conformer aux exigences établies par l'American National Standards Institute Standard B19.3-1991; Safety Standard for Compressors for Process Industries. Contacter le fabricant du compresseur pour plus d'informations.

Les symboles DANGER, AVERTISSEMENT, ATTENTION ET AVIS ainsi que les instructions de ce manuel ne peuvent pas couvrir toutes les conditions et situations qui pourraient se produire. L'opérateur doit comprendre que le bon sens et des précautions sont des facteurs qui ne peuvent pas être inclus dans ces produits, mais doivent être fournis par l'opérateur.

### AVIS

IL FAUT LIRE TOUS LES AVERTISSEMENTS, LES PROCÉDURES ET LES INSTRUCTIONS DU FABRICANT DU PARQUET AVANT D'UTILISER CET OUTIL. IL FAUT SUIVRE D'ABORD L'INFORMATION FOURNIE PAR LE FABRICANT DU PARQUET.

## Utilisation de la Cloueuse

### GRAISSAGE

Cette cloueuse exige le graissage avant son usage initial et avant chaque usage. Si vous utilisez un graisseur en canalisation, le graissage manuel à travers la prise d'air n'est pas exigé quotidiennement.

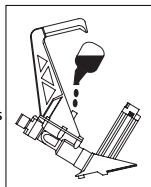
### AVIS

La surface de travail peut être endommagée par le graissage excessif. Le graissage correct est la responsabilité de l'utilisateur. Manque de graisser la cloueuse correctement peut raccourcir la durée de la cloueuse et peut annuler votre garantie.

- Débrancher la source d'air de la cloueuse avant de graisser.



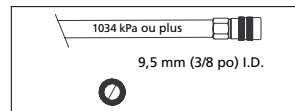
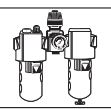
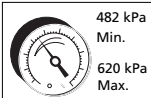
- Tourner la cloueuse de manière à ce que la prise d'air comprimé soit dirigée vers le haut. Introduire 4 ou 5 gouttes d'huile non-détergente dans la prise d'air comprimé. Ne pas utiliser d'huile détergente, d'additif à huile ni d'huile pour outils à air comprimé. Ces dernières contiennent des solvants qui peuvent endommager les pièces intérieures de la cloueuse.



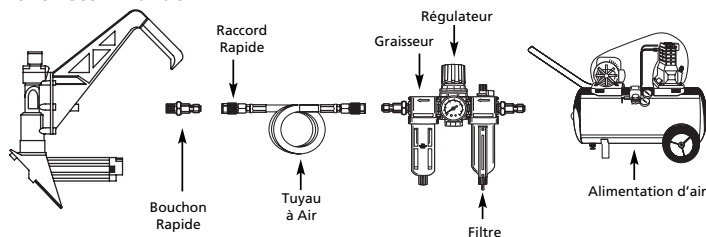
### BRANCHEMENT RECOMMANDÉ

Le branchement recommandé est illustré ci-dessous.

- Le compresseur d'air doit conserver un minimum de 483 kPa pendant l'utilisation de la cloueuse. L'alimentation d'air insuffisante peut réduire la puissance de la cloueuse et peut affecter l'efficacité de l'enfoncement.
- Un graisseur peut être utilisé pour fournir la circulation d'huile à travers la cloueuse. Un filtre peut être utilisé pour enlever les matières liquides et solides qui peuvent encrasser les pièces internes de la cloueuse.
- Toujours utiliser des tuyaux d'admission d'air d'une pression nominale minimum égale ou plus grande que la pression de la source d'alimentation si un régulateur cesse de fonctionner correctement ou de 1 034 kPa, selon la pression la plus élevée. Utiliser un tuyau d'air de 9,5 mm (3/8 po) pour les longueurs jusqu'à 15 m (50 pieds). Utiliser les tuyaux d'air de 12,7 mm (1/2 po) pour 15 m ou plus. Pour un meilleur rendement, installer un



### Branchement Recommandé



Ver la Garantía en página 34 para información importante sobre el uso comercial de este producto.

### Manual de Instrucciones y Lista de Piezas

### Modelo CHN50399

Sírvase leer y guardar estas instrucciones. Lea con cuidado antes de tratar de armar, instalar, manejar o darle servicio al producto descrito en este manual. Protéjase Ud. y a los demás observando todas las reglas de seguridad. El no seguir las instrucciones podría resultar en heridas ya daños a su propiedad. Guarde este manual como referencia.



# Clavadora / Agrapadora para Pisos

## Índice

Información General de Seguridad	23-26
Especificaciones	24
Cómo usar la Clavadora	26-29
Diagnóstico de averías	30
Garantía	34

## Descripción

Esta clavadora está diseñada para instalar pisos de madera sin acabado, de 13 a 19 mm (1/2" - 3/4") de grueso. Puede usarse para instalar pisos pre-acabados, sin embargo hay que poner cuidado de no dañar el acabado con la herramienta.

### DESEMPAQUE

Al desempacar, asegúrese de que no falte ninguno de los accesorios. Si algo falta o está dañado, por favor llame primero al 1-800-543-6400 por asistencia.

## Información General de Seguridad

Este manual contiene información que es muy importante que se conozca y comprenda. Esta información se proporciona con fines de SEGURIDAD y para EVITAR PROBLEMAS CON EL EQUIPO. Para ayudar a reconocer esta información, observe los siguientes símbolos.

### PELIGRO

Peligro indica una situación inminentemente peligrosa, que si no se evita, dará como resultado la muerte o lesiones graves.

### ADVERTENCIA

Advertencia indica una situación potencialmente peligrosa, que si no se evita, PODRÍA ocasionar la muerte o lesiones graves.

### PRECAUCION

Precaución indica una situación potencialmente peligrosa, que si no se evita, PUEDE dar como resultado lesiones leves o moderadas.

### AVISO

AVISO indica una información importante, que de no seguirla, le podría ocasionar daños al equipo.

### PROPOSICIÓN DE CALIFORNIA 65

### PELIGRO

Cuando corta lija, taladra o pule materiales como por ejemplo madera, pintura, metal, hormigón, cemento, u otro tipo de mampostería se puede producir polvo. Con frecuencia este polvo contiene productos químicos que se conocen como causantes de cáncer, defectos congénitos u otros daños reproductivos. Use equipo de protección.



Ubique el número del modelo en el cargador y el código de la fecha en el cuerpo de la herramienta; anótelos abajo:

Nº de modelo \_\_\_\_\_

Código de fecha \_\_\_\_\_

Guarde estos números para referencia futura.

defectos congénitos u otros daños reproductivos. Use equipo de protección.

Este manual contiene información sobre seguridad, funcionamiento y mantenimiento. Póngase en contacto con su representante Campbell Hausfeld si tiene alguna pregunta.

RECORDATORIO: ¡Guarde su comprobante de compra con fecha para fines de la garantía! Adjúntela a este manual o archívala en lugar seguro.

**Garantie Limitée**

- DURÉE: À partir de la date d'achat par l'acheteur original comme suit - Produits À Service Standard (Standard Duty) - Un An, Produits À Service Sérieux (Serious Duty) - Deux Ans, Produits À Service Extrême (Extreme Duty) - Trois Ans.
- GARANTIE ACCORDÉE PAR (GARANT) : Campbell Hausfeld/Scott Fetzer Company, 100 Production Drive, Harrison, Ohio, 45030, Téléphone : (800) 543-6400
- BÉNÉFICIAIRE DE CETTE GARANTIE (ACHETEUR) : L'acheteur original (sauf en cas de revente) du produit Campbell Hausfeld.
- PRODUITS COUVERTS PAR CETTE GARANTIE : Tous les outils de fixation (cloueuses et agrafeuses), outils pneumatiques, pistolets vaporisateurs, gonfleurs ou accessoires pneumatiques Campbell Hausfeld qui sont fournis par ou fabriqués par le Garant.
- COUVERTURE DE LA PRÉSENTE GARANTIE : Défauts de matière et de fabrication considérables qui se révèlent pendant la période de validité de la garantie.
- LA PRÉSENTE GARANTIE NE COUVRE PAS :
  - Les garanties implicites, y compris celles de commercialisabilité et D'ADAPTION À UNE FONCTION PARTICULIÈRE SONT LIMITÉES À PARTIR DE LA DATE D'ACHAT INITIALE TELLE QU'INDIQUÉE DANS LA SECTION DURÉE. Si ce produit est utilisé pour une fonction commerciale, industrielle ou pour la location, la durée de la garantie sera quatre-vingt-dix (90) jours à compter de la date d'achat. Quelques Provinces (États) n'autorisent pas de limitations de durée pour les garanties implicites. Les limitations précédentes peuvent donc ne pas s'appliquer.
  - TOUT DOMMAGE, PERTE OU DÉPENSE FORTUIT OU INDIRECT POUVANT RÉSULTER DE TOUT DÉFAUT, PANNE OU MAUVAIS FONCTIONNEMENT DU PRODUIT CAMPBELL HAUSFELD. Quelques Provinces (États) n'autorisent pas l'exclusion ni la limitation des dommages fortuits ou indirects. La limitation ou exclusion précédente peut donc ne pas s'appliquer.
  - Toute panne résultant d'un accident, d'une utilisation abusive, de la négligence ou d'une utilisation ne respectant pas les instructions données dans le(s) manuel(s) accompagnant le produit. Un accident, l'utilisation abusive par l'acheteur, la négligence ou le manque de faire fonctionner les produits selon les instructions comprend aussi l'enlèvement ou la modification de n'importe quel appareil de sûreté. Si ces appareils de sûreté sont enlevés ou modifiés, la garantie sera annulée.
  - Réglages normaux qui sont expliqués dans le(s) manuel(s) d'utilisation accompagnant le produit.
  - Articles ou services qui sont exigés pour l'entretien du produit; Joints torique, ressorts, amortisseurs, écrans de débris, lames d'entraînement, fusibles, batteries, joints d'étanchéité, garnitures ou joints, buses de fluide, aiguilles, buses de sablage, graisses, tuyaux de matériaux, cartouches filtrantes, pales de moteur, abrasifs, lames, meules de coupe, burins, fixe-burins, coupeuses, douilles de serrage, mandrins, mâchoires de rivet, lames de tournevis, tampons de sablage, tampons de sauvegarde, mécanisme de percussion ou toute pièce qui n'est pas indispensable et qui n'est pas indiquée. Ces articles seront couverts pour quatre-vingt-dix (90) jours à partir de la date d'achat original. Les articles soulignés sont garantis pour défauts de matière et de fabrication seulement.
- RESPONSABILITÉS DU GARANT AUX TERMES DE CETTE GARANTIE : Réparation ou remplacement, au choix du Garant, des produits ou pièces qui se sont révélés défectueux pendant la durée de validité de la garantie.
- RESPONSABILITÉS DE L'ACHETEUR AUX TERMES DE CETTE GARANTIE :
  - Fournir une preuve d'achat datée et un état d'entretien.
  - Livraison ou expédition du produit ou de la pièce Campbell Hausfeld au Centre De Service Autorisé Campbell Hausfeld. Taux de frais, si applicables, sont la responsabilité de l'acheteur.
  - Utilisation et entretien du produit avec un soin raisonnable, ainsi que le décrit le(s) manuel(s) d'utilisation.
- RÉPARATION OU REMPLACEMENT EFFECTUÉ PAR LE GARANT AUX TERMES DE LA PRÉSENTE GARANTIE : La réparation ou le remplacement sera prévu et exécuté en fonction de la charge de travail dans le centre de service et dépendra de la disponibilité des pièces de rechange.

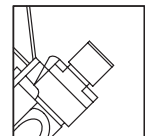
Cette Garantie Limitée s'applique aux É.-U., au Canada et au Mexique seulement et vous donne des droits juridiques précis. L'acheteur peut également jouir d'autres droits qui varient d'une Province, d'un État ou d'un Pays à l'autre.

**Utilisation de la Cloueuse (suite)**

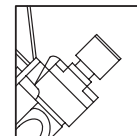
- bouchon rapide de 9,5 mm (3/8 po) avec (filets d'1/4 po NPT) un diamètre intérieur de 8 mm (0.315 po) sur la cloueuse et un raccord rapide de 9,5 mm (3/8 po) sur le tuyau.
- Utiliser un régulateur de pression sur le compresseur avec une pression de service de 0 - 862 kPa. Un régulateur de pression est indispensable pour maintenir la pression de service de la cloueuse entre 482 et 620 kPa.

**⚠ AVERTISSEMENT** *Un outil qui ne fonctionne pas correctement ne doit pas être utilisé. Ne pas activer l'outil à moins qu'il soit placé bien fermement sur la pièce.*

**Remarque :** S'assurer que le butoir de caoutchouc de la cloueuse de parquet est en position relevée avant d'ajouter le boyau d'air, sinon la cloueuse pourrait cycler (voir plus bas).



Butoir de caoutchouc en position vers le bas



Butoir de caoutchouc en position vers le haut

**CHARGEMENT/DÉCHARGEMENT DE LA CLOUEUSE**

Toujours **brancher** l'outil à l'alimentation d'air avant **d'ajouter** les attaches.

**Chargement des agrafes**

- Tenir l'outil fermement, presser le verrou et tirer la porte du chargeur (voir la figure 1).
- Placer les agrafes en chevauchant la partie supérieure du chargeur (voir la figure 2).
- Pousser et reverrouiller la porte du chargeur (voir la figure 3).

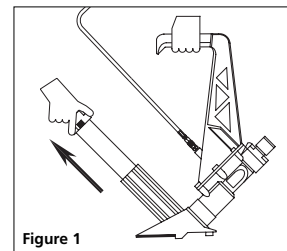


Figure 1

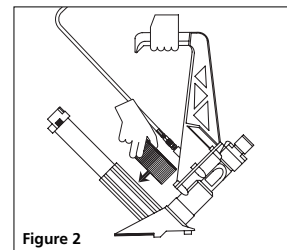


Figure 2

**Chargement des clous barbelés en L**

- Tenir l'outil fermement, presser le verrou et tirer le chargeur (voir la figure 1).
- Placer le type et la taille spécifiés de clous en L dans le chargeur à partir du côté. La tête des clous en L doit être insérée dans l'encoche sur le chargeur fixe (voir la figure 4).
- Pousser et reverrouiller la porte du chargeur (voir la figure 3).

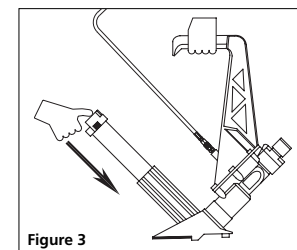


Figure 3

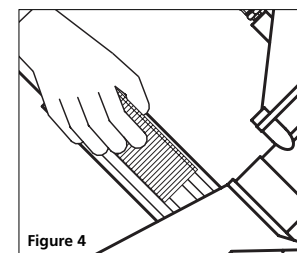


Figure 4

## Utilisation de la Cloueuse (suite)

### DÉBLOCCAGE DE LA CLOUEUSE (VOIR LA FIGURE 5)

1. Débrancher l'alimentation d'air de la cloueuse.
2. Retirer les agrafes ou les clous barbelés en L du chargeur.
3. Utiliser la clé de 4 mm (fournie), retirer les quatre vis de la plaque de buse, les rondelles, la plaque de buse et le pare-poussières.
4. Utiliser un petit outil et sortir l'attache bloquée.
5. Réinstaller toute la quincaillerie (appliquer une bonne quantité de colle de frein-filet sur les filets de vis avant d'installer, bien resserrer).

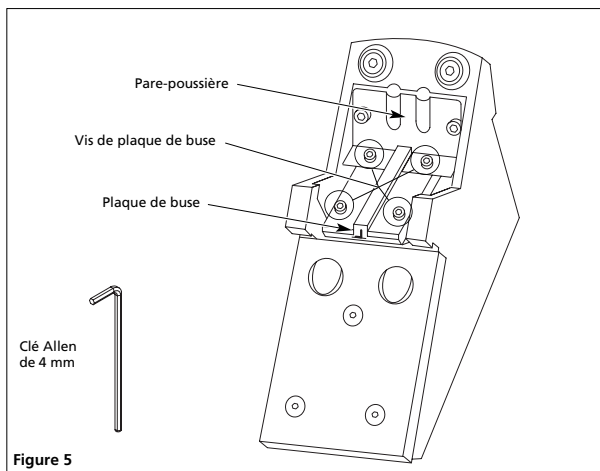


Figure 5

### CHANGER LES PLAQUES DE SEMELLES

1. Débrancher l'alimentation d'air de la cloueuse.
2. Utiliser la clé de 4 mm (fournie) et retirer les trois vis de la semelle.
3. Retirer la plaque de semelle, placer une nouvelle ou une autre semelle alternative. S'assurer que la semelle est en position vers le « haut » (up) (voir la figure 6).
4. Réinstaller les vis (appliquer une bonne quantité de colle de frein-filet sur les filets de vis avant d'installer, bien resserrer).

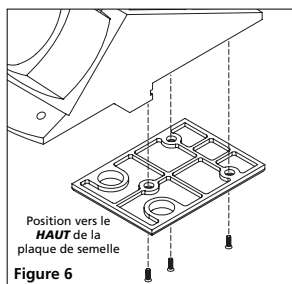


Figure 6

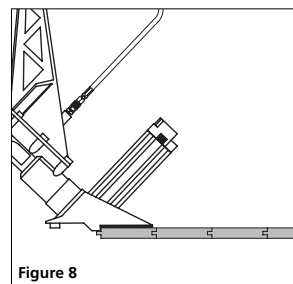


Figure 8

### TAILLES DE PLAQUES DE SEMELLES

Il y a deux plaques de semelles incluses avec cet outil. La plaque mince de 6 mm (1/4 po) doit être utilisée sur un parquet de bois dur de 19 mm (3/4 po) d'épaisseur. La plaque épaisse de 8 mm (5/16 po) doit être utilisée sur un parquet de bois dur de 13 mm (1/2 po) d'épaisseur.

**AVIS** Pour éviter tout dommage au parquet, utiliser la bonne semelle pour le parquet à installer.

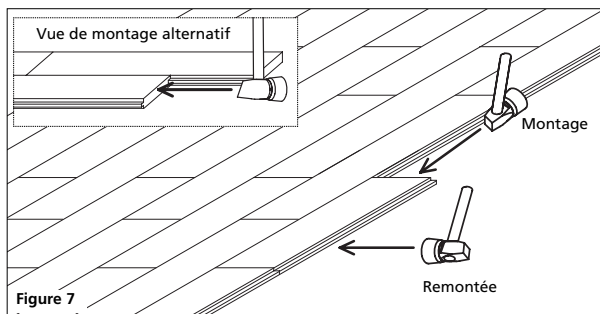


Figure 7

## Liste De Pièces De Rechange

N° de Réf.	Description	Numéro de Pièce	Qté.
1	Tête de piston	SX140100AV	1
2	Joint torique - 19.2 x 1.8	▲	1
3	Joint torique - 15.9 x 1.8	▲	1
4	Cylindre de soupape	SX140400AV	1
5	Joint torique - 42.5 x 5.4	▲	1
6	Joint torique - 17.5 x 2.6	▲	1
7	Joint torique - 57.4 x 3.5	▲	1
8	Piston équipé	SX140800AV	1
9	Tête de caoutchouc	SX140900AV	1
10	Vis - M5 x 20	*	1
11	Chapeau de tête	SX141100AV	1
12	Vis - M4 x 20	*	1
13	Rondelle à ressort	*	1
14	Déclancheur	SX141400AV	1
15	Joint torique - 54.2 x 3.5	▲	1
16	Joint	▲	1
17	Corps	--	1
18	Pare-chocs	SX141800AV	1
19	Nez	SX141900AV	1
20	Vis - M3 x 20	*	1
21	Goupille à ressort - 3 x 14	*	1
22	Pare-poussière	SX142200AV	1
23	Vis - M5 x 14	*	1
24	Rondelle élastique	*	1
25	Guide de lame	SX142500AV	1
26	Guide de clous barbelés	SX142600AV	1
27	Semelle	--	1
28	Pied de caoutchouc	SX142800AV	2
29	Douille	SX142900AV	1
30	Vis - M6 x 16	*	1
31a	Plaque de semelle (épaisse) 8 mm (5/16 po)	SX143100AV	1
31b	Plaque de semelle (mince) 6 mm (1/4 po)	SX143200AV	1
32	Vis - M6 x 12	*	1
33	Goupille à ressort - 2 x 14	*	1
34	Chargeur	SX143500AV	1
35	Rondelle élastique	*	1
36	Vis - M6 x 35	*	1
37	Poussoir	SX143800AV	1
38	Ressort de poussoir	SX143900AV	2
39	Plaque d'extrémité du chargeur	SX144000AV	1

N° de Réf.	Description	Numéro de Pièce	Qté.
40	Chapeau d'extrémité du chargeur	SX144100AV	1
41	Vis	*	1
42	Ressort	SX144300AV	1
43	Vis - M4 x 16	*	1
44	Plaque de limiteur	SX144500AV	1
45	Bouton de verrou du chargeur	SX144600AV	1
46	Ecrou - M4	*	1
47	Rondelle	*	1
48	Douille	SX144900AV	1
49	Goupille à ressort - 3 x 12	*	1
50	Crochet de verrou du chargeur	SX145100AV	1
51	Vis - M3 x 5	*	1
52	Rondelle	*	1
53	Goupille à ressort	*	1
54	Ressort à lame	SX145500AV	1
55	Vis - M3 x 8	*	1
56	Porte du chargeur	SX145700AV	1
57	Goupille à ressort - 2.5 x 10	*	1
58	Vis - M3 x 6	*	1
59	Aimant	SX146000AV	3
60	Rail	SX146100AV	1
61	Joint d'étanchéité	SX146200AV	1
62	Bras	--	1
63	Vis - M6 x 25	*	1
64	Bouchon d'air	*	1
65	Clé 5 mm	■	1
66	Clé 4 mm	■	1
67	Clé 3 mm	■	1
68	Porte-clé	■	1
69	Marteau	SX147000AV	1

### NECESSAIRES DE PIÈCES DE RECHANGE

- ▲ Trousse complète de joints toriques SKN09100AV
- Trousse de clés SKN09200AV
- \* Article normal de quincaillerie - disponible à votre quincaillerie locale



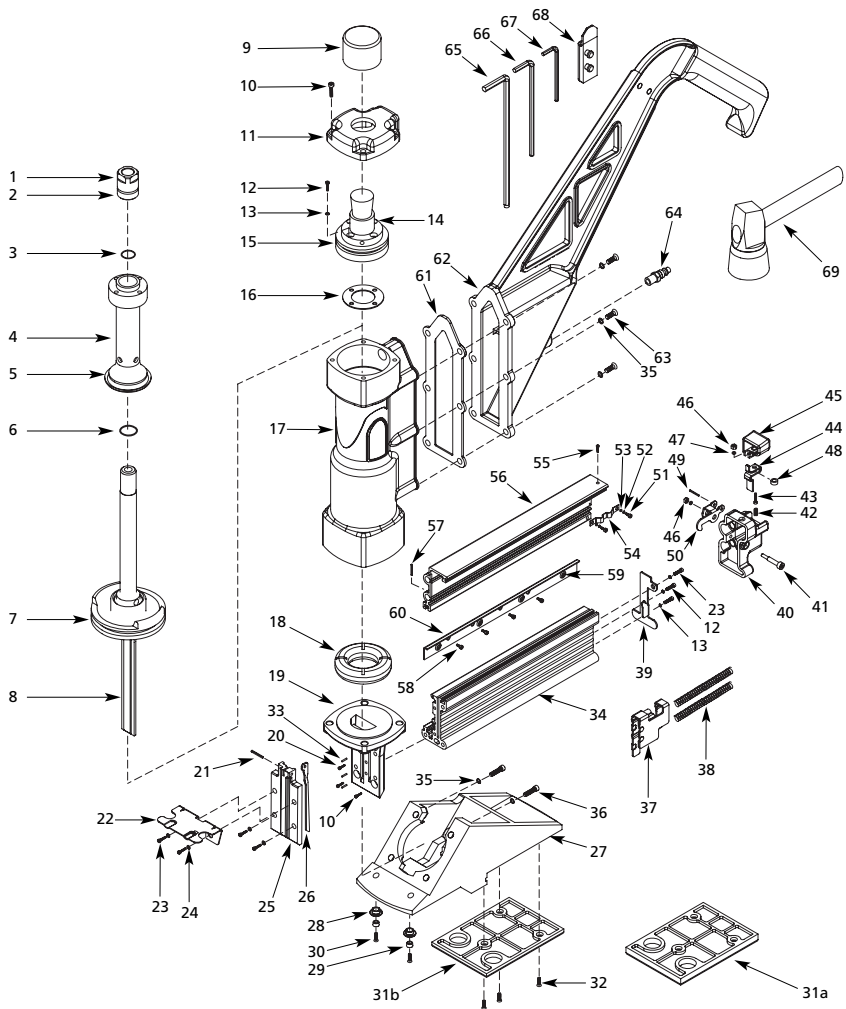
**Pour Pièces de Rechange ou assistance technique, appeler 1-800-543-6400**

S'il vous plaît fournir l'information suivante :

- Numéro de modèle
- Code imprimé sur l'outil
- Description de la pièce et son numéro

Adresser toute correspondance à :

Campbell Hausfeld  
Attn: Customer Service  
100 Production Drive  
Harrison, OH 45030 U.S.A.



**Utilisation de la Cloueuse (suite)**

**MONTER LE PARQUET (VOIR LA FIGURE 7)**

Se reporter d'abord aux procédures de préparation du fabricant du parquet au sujet du contenu d'humidité et la préparation du parquet avant de déposer les planches de parquet.

Pour installer correctement le parquet de bois dur, il doit être bien monté avant d'être cloué en place. Après avoir placé la première lame, suivre ces instructions pour monter le parquet :

1. Placer la rainure sur la languette de la lame installée précédemment.
2. Utiliser l'extrémité de caoutchouc du maillet pour « sortir » la languette dans la rainure.
3. Utiliser l'extrémité de métal du maillet pour placer la lame bien rapprochée de la lame adjacente.

**UTILISER LA CLOUEUSE**

1. Brancher l'alimentation d'air de la cloueuse.

**Remarque :** S'assurer que le butoir de caoutchouc de la cloueuse de parquet est en position relevée avant d'ajouter le boyau d'air, sinon la cloueuse pourrait cycler.

2. Charger les attaches (voir la section Charger la cloueuse).
3. Placer l'outil sur le plancher tel qu'indiqué à la figure 8 avec la plaque de semelle reposant sur la lame de plancher montée. S'assurer que l'embout d'éjection des attaches soit bien en place contre la languette de la lame.
4. Frapper fermement les outils du butoir de caoutchouc avec l'extrémité de caoutchouc du maillet. L'outil devrait cycler et enfoncer l'attache dans la lame.

**⚠ DANGER** **NE PAS utiliser l'outil à moins qu'il soit bien placé. Si ce n'est pas le cas, il pourrait y avoir des blessures à cause d'attaches éjectées qui pourraient mener à des blessures graves et même le mort.**

**PROFONDEUR ET PLACEMENT DES ATTACHES**

Se reporter à la figure 9 pour le bon placement et la bonne profondeur des attaches dans la languette du bois dur. Utiliser une retailles de plancher pour aider à déterminer les réglages de pression d'air appropriés. Si la languette est endommagée à l'installation, le reste du projet sera difficile à exécuter.

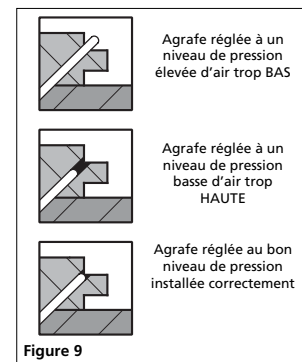


Figure 9

**Entretien**

**Support Technique**

Pour tout renseignement sur le fonctionnement ou la réparation de cette cloueuse, veuillez utiliser notre numéro d'assistance 1-800-543-6400 ou pour obtenir d'autres copies de ce manuel.

**Pièces de rechange**

**⚠ AVERTISSEMENT** *Utiliser seulement des pièces de rechange de Campbell Hausfeld. La performance de l'outil, la sécurité et la durabilité pourraient être réduites avec des pièces inappropriées. En commandant des pièces, spécifier le numéro de pièce.*

**Réparation de la cloueuse**

Seul un personnel qualifié doit réparer l'outil et il doit utiliser des pièces de rechange et des accessoires authentiques de Campbell Hausfeld, ou des pièces et accessoires d'une performance équivalente.

**Procédure d'assemblage pour les joints**

En réparant une cloueuse, les pièces internes doivent être nettoyées et lubrifiées. Il faut utiliser le Parker O-lube ou un produit équivalent sur tous les joints toriques. Chaque joint torique doit être recouvert de O-lube avant l'assemblage. Il faut utiliser une petite quantité d'huile sur toutes les surfaces et pivots mobiles. Après avoir réassemblé, il faut ajouter quelques gouttes d'huile sans détergent 30W ou l'équivalent à travers le conduit d'air avant de tester.

**Interchangeabilité**

Les attaches utilisées dans la cloueuse / agrafeuse de parquet Campbell Hausfeld CHN50399 fonctionneront aussi dans les marques suivantes : Bostich, Porter Cable, Porta-nails, Primatech, Senco, Power Nail, Grip Rite, High Pro,B&C Eagle, Grizzly, et Craftsman.

**Guide de Dépannage**



**AVERTISSEMENT** Cessez l'utilisation de la cloueuse immédiatement en cas des problèmes suivants, car il résulte un risque de blessures graves. Toutes réparations doivent être effectuées par un Technicien Qualifié ou par un Centre De Service Autorisé.

Problème	Cause	Solution
Manque de courant, cycle lent.	<ol style="list-style-type: none"> <li>1. L'outil est trop sec</li> <li>2. La pression d'air est faible</li> <li>3. L'échappement est bloqué</li> </ol>	<ol style="list-style-type: none"> <li>1. Ajouter du lubrifiant</li> <li>2. Vérifier l'équipement d'alimentation d'air.</li> <li>3. Nettoyer l'échappement</li> </ol>
Ne tire aucune attache ou alimentation intermittente	<ol style="list-style-type: none"> <li>1. Ressort de poussoir endommagé</li> <li>2. La mauvaise taille d'attache est utilisée</li> <li>3. Le chargeur ou la plaque d'usure est sale</li> </ol>	<ol style="list-style-type: none"> <li>1. Remplacer le ressort</li> <li>2. Utiliser des attaches courantes</li> <li>3. Nettoyer le chargeur et la buse</li> </ol>
Attache bloquée dans l'outil	<ol style="list-style-type: none"> <li>1. La voie d'entraînement est usée</li> <li>2. L'entraîneur est brisé ou usé</li> <li>3. Les attaches sont pliés</li> </ol>	<ol style="list-style-type: none"> <li>1. Remplacer la plaque d'usure</li> <li>2. Remplacer l'entraînement</li> <li>3. Utiliser des attaches courantes</li> </ol>

**Notes**

---

---

---

---

---

---

---

---

---

---

---

---

---

---

---

---

---

---

---

---

---

---

---

---