

Please read and save these instructions. Read carefully before attempting to assemble, install, operate or maintain the product described. Protect yourself and others by observing all safety information. Failure to comply with instructions could result in personal injury and/or property damage! Retain instructions for future reference.



2 inch 2-in-1 Nailer / Stapler

Table of Contents

Description 1
 Unpacking 1
 Safety Guidelines 1
 Important Safety Information 1
 Tool Components and Specifications..... 2
 Operating Instructions 4
 Lubrication 4
 Recommended Hookup..... 4
 Operational Mode 5
 Work Contact Element (WCE) 5
 Loading/Unloading The Tool..... 5
 Adjusting the Direction of the Exhaust 5
 User-Maintenance Instructions 6
 Clearing A Jam From The Tool 6
 Technical Service 6
 Fastener And Replacement Parts .. 6
 Tool Repair 6
 Assembly Procedure For Seals..... 6
 Fasteners 7
 Troubleshooting Chart 8
 Warranty 10

Safety Guidelines

This manual contains information that is very important to know and understand. This information is provided for SAFETY and to PREVENT EQUIPMENT PROBLEMS. To help recognize this information, observe the following symbols.

▲ DANGER Danger indicates an imminently hazardous situation which, if not avoided, WILL result in death or serious injury.

▲ WARNING Warning indicates a potentially hazardous situation which, if not avoided, COULD result in death or serious injury.

▲ CAUTION Caution indicates a potentially hazardous situation which, if not avoided, MAY result in minor or moderate injury.

NOTICE Notice indicates important information, that if not followed, may cause damage to equipment.

NOTE: Information that requires special attention.

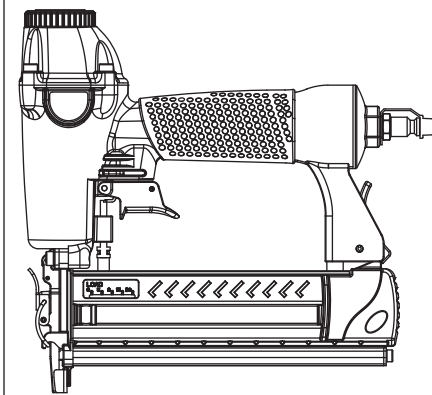
Important Safety Instructions

INSTRUCTIONS PERTAINING TO A RISK OF FIRE, ELECTRIC SHOCK, OR INJURY TO PERSONS

This manual contains safety, operational and maintenance information. Contact your Campbell Hausfeld representative if you have any questions.

▲ WARNING When using tools, basic precautions should always be followed, including the following:

Model SB504010



Locate model and date code on tool and record below:

Model No.: _____

Date Code: _____

Retain these numbers for future reference.

Description

This tool is designed for decorative trim, molding, window casings, furniture trim, picture frame assembly, cabinetry, casebacks, and crafts. Features include: convenient top and side loading magazine which holds up to 100 brads or staples and adjustable exhaust.

Unpacking

After unpacking the unit, inspect carefully for any damage that may have occurred during transit. Make sure to tighten fittings, bolts, etc., before putting unit into service.

CALIFORNIA PROPOSITION 65

▲ WARNING This product or its power cord may contain chemicals known to the State of California to cause cancer and birth defects or other reproductive harm. Wash hands after handling.

▲ WARNING


You can create dust when you cut, sand, drill or grind materials such as wood, paint, metal, concrete, cement, or other masonry. This dust often contains chemicals known to cause cancer, birth defects, or other reproductive harm. Wear protective gear.



REMINDER: Keep your dated proof of purchase for warranty purposes! Attach it to this manual or file it for safekeeping.


Important Safety Instructions (Continued)

GENERAL

- a. To reduce the risks of electric shock, fire, and injury to persons, read all the instructions before using the tool. 
- b. Be thoroughly familiar with the controls and the proper use of the equipment. Follow all instructions. Contact your Campbell Hausfeld representative if you have any questions.
- c. Only persons well acquainted with these rules of safe operation should be allowed to use the unit.

⚠ DANGER *Read and understand tool labels and manual. Failure to follow warnings, dangers, and cautions could result in DEATH or SERIOUS INJURY.*

WORK AREA


- a. Keep the work area clean and well lighted. Cluttered benches and dark areas increase the risks of electric shock, fire, and injury to persons.
- b. Do not operate the tool in explosive atmospheres, such as in the presence of flammable liquids, gases, or dust. The tool is able to create sparks resulting in the ignition of the dust or fumes. 

- c. Keep bystanders, children, and visitors away while operating the tool. Distractions are able to result in the loss of control of the tool.

PERSONAL SAFETY

- a. Stay alert. Watch what you are doing and use common sense when operating the tool. Do not use the tool while tired or under the influence of drugs, alcohol, or medication. A moment of inattention while operating the tool increases the risk of injury to persons.
- b. Dress properly. Do not wear loose clothing or jewelry. Contain long hair. Keep hair, clothing, and gloves away from moving parts. Loose clothes, jewelry, or long hair increases the risk of injury to persons as a result of being caught in moving parts.
- c. Avoid unintentional starting. Be sure the switch is off before connecting to the air supply. Do not carry the tool with your finger on the switch or connect the tool to the air supply with the switch on.
- d. Do not overreach. Keep proper footing and balance at all times. Proper footing and balance enables better control of the tool in unexpected situations.
- e. Use safety equipment. A dust mask, non-skid safety shoes and a hard hat must be used for the applicable conditions.

- f. Always wear eye protection. 

- g. Always wear hearing protection when using the tool. Prolonged exposure to high intensity noise is able to cause hearing loss. 

- h. Do not attach the hose or tool to your body. Attach the hose to the structure to reduce the risk of loss of balance if the hose shifts.

- i. Always assume that the tool contains fasteners. Do not point the tool toward yourself or anyone whether it contains fasteners or not.

- j. **⚠ WARNING** *Do not nail on top of another nail. This is able to cause the nail to be deflected and hit someone, or cause the tool to react and result in a risk of injury to persons.*

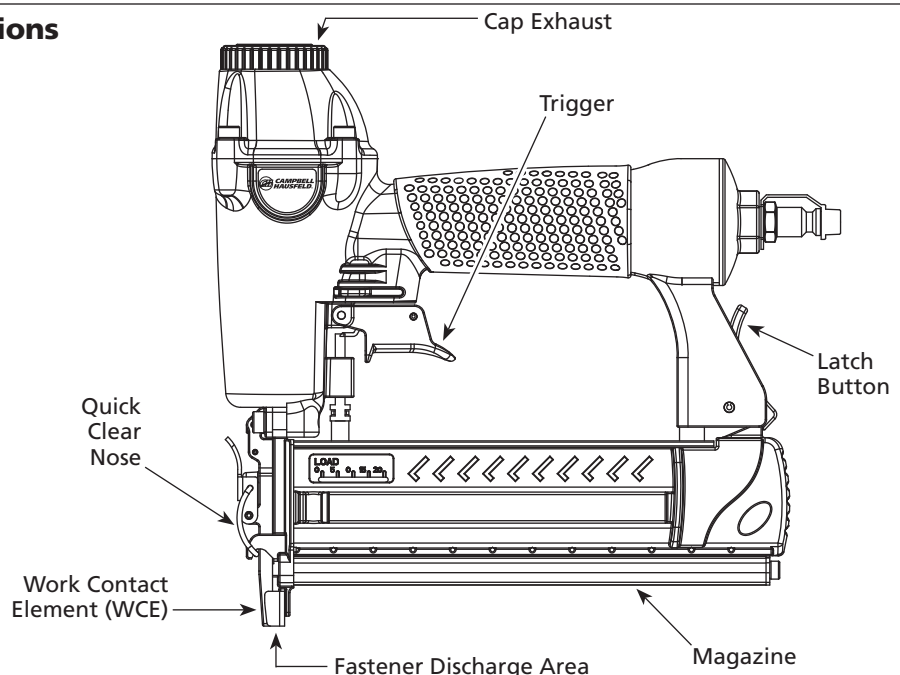
- k. **⚠ WARNING** *Remove finger from the trigger when not driving fasteners. Never carry the tool with finger on trigger, the tool is able to fire a fastener.*

⚠ DANGER *Always remain in a firmly balanced position when using or handling the tool.*

⚠ CAUTION *Avoid long extended periods of work with the tool. Stop using the tool if you feel pain in hands or arms.*

Tool Components and Specifications

- **REQUIRES:** 0.4 SCFM with 10 fasteners per minute @ 90 psi
- **AIR INLET:** 1/4 inch NPT
- **MAGAZINE CAPACITY:** 100 Nails per Load, 18 gauge
- **BRADS:** 3/8 inch to 2 inch
- **STAPLES:** 1/2 inch to 1-1/2 inch; 1/4 inch crown
- **WEIGHT:** 2 lbs. 10 oz.
- **LENGTH:** 10-1/2 inches
- **HEIGHT:** 9-3/4 inches
- **MAXIMUM PRESSURE:** 120 psi
- **PRESSURE RANGE:** 60 psi – 120 psi




Important Safety Instructions (Continued)

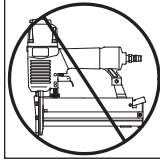
TOOL USE AND CARE

- a. Use clamps or another practical way to secure and support the workpiece to a stable platform. Holding the work by hand or against the body is unstable and is able to lead to loss of control.
- b. Do not force the tool. Use the correct tool for the application. The correct tool will do the job better and safer at the rate for which the tool is designed.
- c. Do not use the tool if the switch does not turn the tool on or off. Any tool that cannot be controlled with the switch is dangerous and must be repaired.
- d. **WARNING** Disconnect the tool from the air source before making adjustments, doing tool maintenance, clearing jams, leaving work area, loading, or unloading the tool. Such precautionary measures reduce the risk of injury to persons.
- e. Store the tool when it is idle out of reach of children and other untrained persons. A tool is dangerous in the hands of untrained users.
- f. Maintain the tool with care. Keep a cutting tool sharp and clean. A properly maintained tool, with sharp cutting edges reduces the risk of binding and is easier to control.
- g. Check for misalignment or binding of moving parts, breakage of parts, and any other condition that affects the tool's operation. If damaged, have the tool serviced before using. Many accidents are caused by poorly maintained tools. There is a risk of bursting if the tool is damaged.
- h. Use only those fasteners listed in the Accessories section of this manual. Fasteners not identified for use with this tool by the tool manufacturer are able to result in a risk of injury to persons or tool damage when used in this tool.
- i. Selecting an appropriate tool actuation system, taking into consideration the work application for which the tool is used.

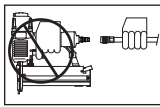
DANGER Never use gasoline or other flammable liquids to clean the tool. Never use the tool in the presence of flammable liquids or gases. Vapors could ignite by a spark and cause an explosion which will result in death or serious personal injury.



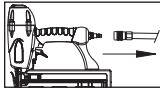
DANGER Do not remove, tamper with, or otherwise cause the trigger lock or trigger to become inoperable. Do not operate any tool which has been modified in a like fashion. Death or serious personal injury could result.



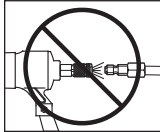
DANGER Do not touch the trigger unless driving fasteners. Never attach air line to tool or carry tool while touching the trigger. The tool could eject a fastener which will result in death or serious personal injury. Also actuate the trigger lock to the safe position when not in use.




WARNING Always disconnect the tool from the power source when unattended, performing any maintenance or repair, clearing a jam, or moving the tool to a new location. Do not load the tool with fasteners when the trigger is depressed. The tool could eject a fastener causing death or serious personal injury.



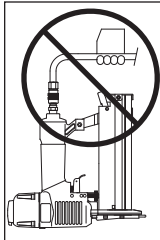
WARNING Always fit tool with a fitting or hose coupling on or near the tool in such a manner that all compressed air in the tool is discharged at the time the fitting or hose coupling is disconnected. Do not use a check valve or any other fitting which allows air to remain in the tool. Death or serious personal injury could occur.



WARNING Never place hands or any other body parts in the fastener discharge area of the tool. The tool might eject a fastener and could result in death or serious personal injury.

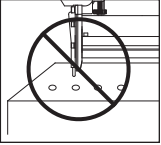


WARNING Never carry the tool by the air hose or pull the hose to move the tool or a compressor. Keep hoses away from heat, oil and sharp edges. Replace any hose that is damaged, weak or worn. Personal injury or tool damage could occur.



WARNING Always assume the tool contains fasteners. Respect the tool as a working implement; no horseplay. Always keep others at a safe distance from the work area in case of accidental discharge of fasteners. Do not point the tool toward yourself or anyone whether it contains fasteners or not. Accidental triggering of the tool could result in death or serious personal injury.

WARNING Do not drive a fastener on top of other fasteners. The fastener could glance and cause death or a serious puncture wound.



WARNING Do not operate or allow anyone else to operate the tool if any warnings or warning labels are not legible. Warnings or warning labels are located on the tool magazine and body.



WARNING Do not drop or throw the tool. Dropping or throwing the tool can result in damage that will make the tool unusable or unsafe. If the tool has been dropped or thrown, examine the tool closely for bent, cracked or broken parts and air leaks. STOP and repair before using or serious injury could occur.

NOTICE Avoid using the tool when the magazine is empty. Accelerated wear on the tool may occur.

NOTICE Clean and check all air supply hoses and fittings before connecting the tool to an air supply. Replace any damaged or worn hoses or fittings. Tool performance or durability may be reduced.

SERVICE

- a. Tool service must be performed only by qualified repair personnel.
- b. When servicing a tool, use only identical replacement parts. Use only authorized parts.
- c. Use only the lubricants supplied with the tool or specified by the manufacturer.

CAUTION Do not make any modifications to the tool without first obtaining written approval from Campbell Hausfeld. Do not use the tool if any shields or guards are removed or altered. Do not use the tool as a hammer. Personal injury or tool damage may occur.

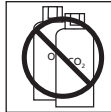
Important Safety Instructions (Continued)

CAUTION Disconnect air supply and release tension from the pusher before attempting to clear jams because fasteners can be ejected from the front of the tool. Personal injury may occur.

AIR SOURCE

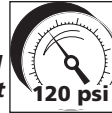
- a. Never connect to an air source that is capable of exceeding 200 psi. Over pressurizing the tool is able to result in bursting, abnormal operation, breakage of the tool or serious injury to persons. Use only clean, dry, regulated compressed air at the rated pressure or within the rated pressure range as marked on the tool. Always verify prior to using the tool that the air source has been adjusted to the rated air pressure or within the rated air-pressure range.
- b. Never use oxygen, carbon dioxide, combustible gases or any bottled gas as an air source for the tool. Such gases are capable of explosion and serious injury to persons.

DANGER Do not use any type of reactive gases, including, but not limited to, oxygen and combustible gases, as a power source. Use filtered, lubricated, regulated compressed air only. Use of a reactive gas instead of compressed air may cause the tool to explode which will cause death or serious personal injury.



DANGER

Use only a pressure-regulated compressed air source to limit the air pressure supplied to the tool. The regulated pressure must not exceed 120 psi. If the regulator fails, the pressure delivered to the tool must not exceed 200 psi. The tool could explode which will cause death or serious personal injury.



SAVE THESE INSTRUCTIONS DO NOT DISCARD

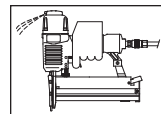
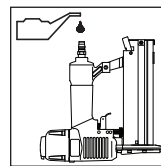
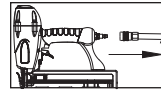
Operating Instructions

LUBRICATION

This tool requires lubrication before using the tool for the first time and before each use. If an inline oiler is used, manual lubrication through the air inlet is not required on a daily basis.

NOTICE The work surface can become damaged by excessive lubrication. Proper lubrication is the owner's responsibility. Failure to lubricate the tool properly will dramatically shorten the life of the tool and void your warranty.

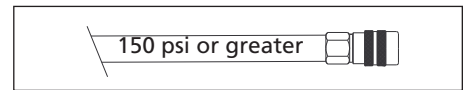
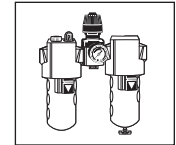
- 1. Disconnect the air supply from the tool to add lubricant.
- 2. Turn the tool so the air inlet is facing up. Place 4-5 drops of 30 W non-detergent oil into air inlet. Do not use detergent oils, oil additives, or air- tool oils. Air tool oils contain solvents which will damage the tool's internal components.
- 3. After adding oil, run tool briefly. Wipe off any excess oil from the cap exhaust.



RECOMMENDED HOOKUP

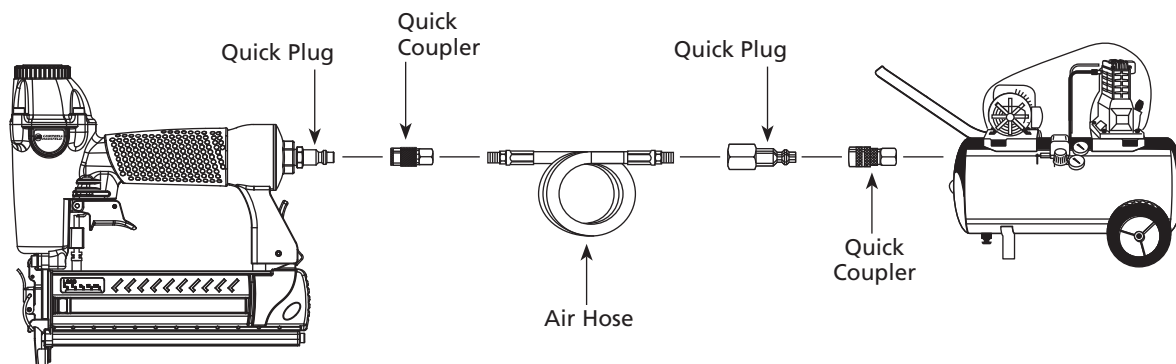
The illustration below shows the recommended hookup for the tool.

- 1. The air compressor must be able to maintain a minimum of 60 psi when the tool is being used. An inadequate air supply can cause a loss of power and inconsistent driving.
- 2. An oiler can be used to provide oil circulation through the tool. A filter can be used to remove liquid and solid impurities which can rust or "gum up" internal parts of the tool.
- 3. Always use air supply hoses with a minimum working pressure rating equal to or greater than the pressure from the power source if a regulator fails, or 150 psi, whichever is greater. Use 1/4 inch air hose for runs up to 50 feet. Use 3/8 inch or greater air hoses for 50 foot run or longer.



- 4. Use a pressure regulator on the compressor, with an operating pressure of 0 psi - 125 psi. A pressure regulator is required to control the operating pressure of the tool between 60 psi and 120 psi.

Minimum Recommended Hookup



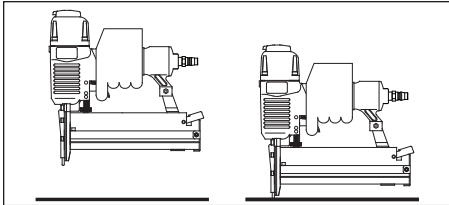
Operating Instructions (Continued)

OPERATIONAL MODE - SINGLE CYCLE

▲ WARNING *Always know the operational mode of the tool before using. Failure to know the operational mode could result in death or serious personal injury.*

This tool requires the trigger to be pulled each time a nail is driven. The nailer can be actuated by depressing the WCE against the work surface followed by pulling the trigger.

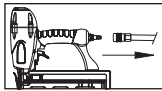
The trigger must be released to reset the tool before another nail can be driven.



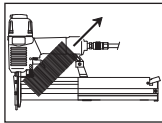
WORK CONTACT ELEMENT (WCE)

▲ CAUTION *Check the operation of the Work Contact Element (WCE) trip mechanism before each use. The WCE must move freely without binding through its entire travel distance. The WCE spring must return the WCE to its fully extended position after being depressed. Do not operate the nailer if the WCE trip mechanism is not operating properly. Personal injury may occur.*

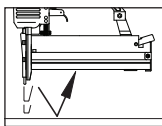
1. Disconnect the air supply from the tool.



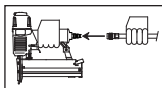
2. Remove all fasteners from the magazine (see Loading/Unloading).



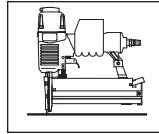
3. Make sure the trigger and work contact element (WCE) move freely up and down without sticking or binding.



4. Reconnect air supply to the tool.



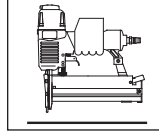
5. Depress the Work Contact Element (WCE) against the work surface without pulling the trigger.



The tool **MUST NOT OPERATE**.

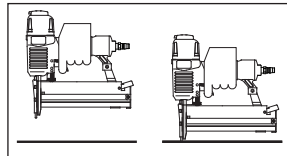
Do not use the tool if it operates without pulling the trigger. Personal injury may result.

6. Remove the tool from the work surface.

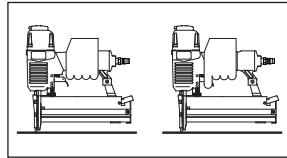


The Work Contact Element (WCE) must return to its original down position. The tool **MUST NOT OPERATE**. Do not use the tool if it operates while lifted from the work surface. Personal injury may result.

7. Pull the trigger and depress the work contact element (WCE) against the work surface. The tool **MUST NOT OPERATE**.



8. Depress the Work Contact Element (WCE) against the work surface. Pull the trigger. The tool **MUST OPERATE**.

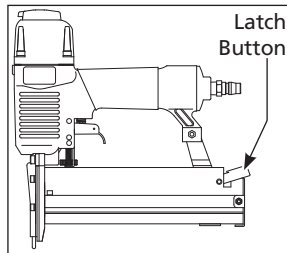


▲ WARNING *An improperly functioning tool must not be used. Do not actuate the tool unless the tool is placed firmly against the work piece.*

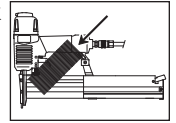
LOADING/UNLOADING THE NAILER

1. Always **disconnect** the tool from the air supply before **loading** fasteners.

2. Push down on the latch button. Pull back on the magazine cover.

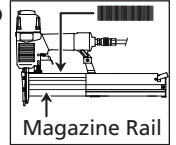


3a. For nails, insert a stick of Campbell Hausfeld nails or equivalent (see "Fasteners" section) into the magazine.

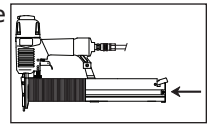


Make sure the pointed ends of the fasteners are resting on the bottom ledge of the magazine when loading. Make sure the nails are not dirty or damaged.

3b. For staples, load a clip of staples with the crowns straddling the magazine rail.



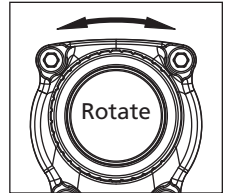
4. Push the magazine cover forward until latch button pops up.



5. Always unload all fasteners before removing tool from service. Unloading is the reverse of loading, except that you must **disconnect** the air supply before unloading.

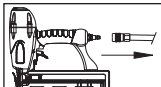
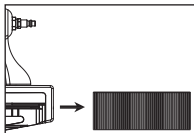
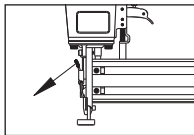
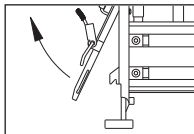
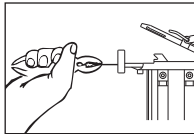
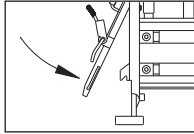
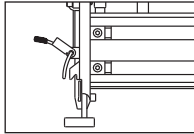
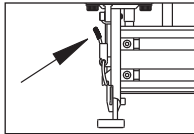
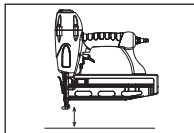
ADJUSTING THE DIRECTION OF THE EXHAUST

The tool is equipped with an adjustable direction exhaust deflector. This is intended to allow the user to change the direction of the exhaust. Simply twist the deflector to any direction desired.



User - Maintenance Instructions

CLEARING A JAM FROM THE TOOL

1. Disconnect the air supply from the tool. 
2. Remove all nails from the magazine (see Loading/Unloading). Failure to do so will cause the nails to eject from the front of the tool. 
3. Undo latch by pulling out and down. The wire latch will disengage from the hooks on the nose. 
4. The door can now be rotated, exposing the jammed fastener. 
5. Remove the jammed fastener, using pliers or a screwdriver if required. 
6. Rotate door back into the closed position. 
7. Extend the wire latch and place over the hooks on the nose. 
8. Close the latch by pushing the latch up and in until the latch snaps into place. 
9. Make sure the trigger and work contact element (WCE) move freely up and down without sticking or binding. 

TECHNICAL SERVICE

Please call our Tool Hotline at 1-800-543-6400 with any questions regarding the operation or repair of this tool or for additional copies of this manual.

FASTENER AND REPLACEMENT PARTS

⚠ WARNING Use only genuine Campbell Hausfeld 18 gauge fasteners (or equivalent - see Fastener Interchange Information). Tool performance, safety and durability could be reduced if improper fasteners are used. When ordering replacement parts or fasteners, specify by part number.

TOOL REPAIR

Only qualified personnel should repair the tool and they should use genuine Campbell Hausfeld replacement parts and accessories, or parts and accessories which perform equivalently.

ASSEMBLY PROCEDURE FOR SEALS

When repairing a tool, the internal parts must be cleaned and lubricated. Parker O-lube or equivalent must be used on all o-rings. Each o-ring must be coated with O-lube before assembling. A small amount of oil must be used on all moving surfaces and pivots. After reassembling, a few drops of 30W non-detergent oil or equivalent, must be added through the air line before testing.

STORAGE

The tool should be stored in a cool dry place.

Fasteners

BRAD NAILS

The following Campbell Hausfeld Brad nails are available at local retail stores. For help locating any item, call customer service at 1-800-543-6400. Campbell Hausfeld nails meet or exceed ASTM Standard F1667.

Model	Length	Shank Gauge	Finish	Head	Collation	Nails Per Stick	Nails Per Box
FB180016	5/8 inch	18 Gauge	Galvanized	Brad/Brown	Adhesive	100	1000
FB180025	1 inch	18 Gauge	Galvanized	Brad/Brown	Adhesive	100	1000
FB180030	1-1/4 inch	18 Gauge	Galvanized	Brad/Brown	Adhesive	100	1000
FB180040	1-1/2 inch	18 Gauge	Galvanized	Brad/Brown	Adhesive	100	1000
FB180050	2 inch	18 Gauge	Galvanized	Brad/Brown	Adhesive	100	1000

INTERCHANGE INFORMATION

This tool drives most brands of collated brad nails with these specifications:

- 18 gauge
- Length: 3/8 inch to 2 inch long

CROWN STAPLES

The following Campbell Hausfeld staples are available at local retail stores. If you need help locating any item, call customer service at 1-800-543-6400. Campbell Hausfeld staples meet or exceed astm Standard F1667.

Model	Length	Wire Diameter	Crown Size	Point	Finish	Collation	Staples Per Stick	Staples Per Box
FN180615	1/2 inch	18 Gauge	1/4 inch	Chisel	Galvanized/Vinyl Coated	Adhesive	100	1000
FN180620	3/4 inch	18 Gauge	1/4 inch	Chisel	Galvanized/Vinyl Coated	Adhesive	100	1000
FN180625	1 inch	18 Gauge	1/4 inch	Chisel	Galvanized/Vinyl Coated	Adhesive	100	1000
FN180630	1-1/4 inch	18 Gauge	1/4 inch	Chisel	Galvanized/Vinyl Coated	Adhesive	100	1000

INTERCHANGE INFORMATION

This tool drives most brands of collated staples with these specifications:

- 18 gauge
- Length: 1/2 inch to 1-1/2 inch long
- Crown Size: 1/4 inch

Troubleshooting Chart

⚠ WARNING

Stop using tool immediately if any of the following problems occur. Serious personal injury could occur. Any repairs or replacements must be done by a Qualified Service Person or Authorized Service Center.

Symptom	Possible Cause(s)	Corrective Action
Air leaking at trigger valve area.	O-Rings in trigger valve housing are damaged	Replace o-rings
Air leaking between housing and nose.	1. Loose screws in housing 2. Damaged O-Rings 3. Damage to bumper	1. Tighten screws 2. Replace o-rings 3. Replace bumper
Air leaking between housing and cap.	1. Loose screws 2. Damaged seal	1. Tighten screws 2. Replace seal
Tool skips driving fastener	1. Worn bumper 2. Dirt in nose piece 3. Dirt or damage prevent fasteners or pusher from moving freely in magazine 4. Damaged pusher spring 5. Inadequate air flow to tool 6. Worn O-Ring on piston or lack of lubrication 7. Damaged O-Ring on trigger valve 8. Air leaks 9. Cap seal leaking	1. Replace bumper 2. Clean drive channel 3. Clean magazine 4. Replace spring 5. Check fitting, hose, or compressor 6. Replace and lubricate o-rings 7. Replace o-rings 8. Tighten screws and fittings 9. Replace seal
Tool runs slow or has loss of power	1. Tool not lubricated sufficiently 2. Broken spring in cylinder cap 3. Exhaust port in cap is blocked	1. Lubricate nailer 2. Replace spring 3. Replace damaged internal parts
Fasteners are jammed in tool	1. Guide on driver is worn 2. Fasteners are not correct size 3. Fasteners are bent 4. Magazine or nose screws are loose 5. Driver is damaged	1. Replace guide 2. Use only recommended fasteners 3. Replace with undamaged fasteners 4. Tighten screws 5. Replace driver

Limited Warranty

1. DURATION: From the date of purchase by the original purchaser as follows: One (1) Year.
2. WHO GIVES THIS WARRANTY (WARRANTOR): Campbell Hausfeld / Scott Fetzer Company, 100 Production Drive, Harrison, Ohio, 45030, Telephone: (800) 543-6400
3. WHO RECEIVES THIS WARRANTY (PURCHASER): The original purchaser (other than for purposes of resale) of the Campbell Hausfeld product.
4. WHAT PRODUCTS ARE COVERED BY THIS WARRANTY: This Campbell Hausfeld nailer or stapler.
5. WHAT IS COVERED UNDER THIS WARRANTY: Substantial defects in material and workmanship which occur within the duration of the warranty period with the exceptions below.
6. WHAT IS NOT COVERED UNDER THIS WARRANTY:
 - A. Implied warranties, including those of merchantability and FITNESS FOR A PARTICULAR PURPOSE ARE LIMITED FROM THE DATE OF ORIGINAL PURCHASE AS STATED IN THE DURATION. If this product is used for commercial, industrial or rental purposes, the warranty will apply for ninety (90) days from the date of purchase. Some States do not allow limitation on how long an implied warranty lasts, so the above limitations may not apply to you.
 - B. ANY INCIDENTAL, INDIRECT, OR CONSEQUENTIAL LOSS, DAMAGE, OR EXPENSE THAT MAY RESULT FROM ANY DEFECT, FAILURE, OR MALFUNCTION OF THE CAMPBELL HAUSFELD PRODUCT. Some States do not allow the exclusion or limitation of incidental or consequential damages, so the above limitation or exclusion may not apply to you.
 - C. Any failure that results from an accident, purchaser's abuse, neglect or failure to operate products in accordance with instructions provided in the owner's manual(s) supplied with product. Accident, purchaser's abuse, neglect or failure to operate products in accordance with instructions shall also include the removal or alteration of any safety devices. If such safety devices are removed or altered, this warranty is void.
 - D. Normal adjustments which are explained in the owner's manual(s) provided with the product.
 - E. Items or service that are normally required to maintain the product, e.g. o-rings, springs, bumpers, debris shield, driver blades, gaskets, packings or seals, lubricants, or any other expendable part not specifically listed. These items will only be covered for ninety (90) days from date of original purchase. Underlined items are warranted for defects in material and workmanship only.
7. RESPONSIBILITIES OF WARRANTOR UNDER THIS WARRANTY: Repair or replace, at Warrantor's option, products or components which are defective, have malfunctioned and/or failed to conform within the duration of the specific warranty period.
8. RESPONSIBILITIES OF PURCHASER UNDER THIS WARRANTY:
 - A. Provide dated proof of purchase and maintenance records.
 - B. Call Campbell Hausfeld (800) 543-6400 to obtain your warranty service options. Freight costs must be borne by the purchaser.
 - C. Use reasonable care in the operation and maintenance of the products as described in the owner's manual(s).
9. WHEN WARRANTOR WILL PERFORM REPAIR OR REPLACEMENT UNDER THIS WARRANTY: Repair or replacement will be scheduled and serviced according to the normal work flow at the servicing location, and depending on the availability of replacement parts.

This Limited Warranty applies in the United States, Canada and Mexico only and gives you specific legal rights. You may also have other rights which vary from state to state or country to country.

S'il vous plaît lire et conserver ces instructions. Lire attentivement avant de monter, installer, utiliser ou de procéder à l'entretien du produit décrit. Se protéger ainsi que les autres en observant toutes les instructions de sécurité, sinon, il y a risque de blessure et/ou dégâts matériels! Conserver ces instructions comme référence.



**CAMPBELL
HAUSFELD®**

Cloueuse / agrafeuse 2 en 1 de 50,8 mm (2 po)

Table des matières

Description	11
Déballage	11
Directives de sécurité	11
Importantes instructions de sécurité	11
Pièces Détachées et Spécifications de la l'Outil	12
Mode d'emploi	14
Graissage	14
Branchement recommandé	14
Mode d'opération	15
Mécanisme de déclenchement par Contact (WCE)	15
Chargement /déchargement de la l'outil	15
Ajustement de la direction d'échappement	15
Instructions de maintenance de l'utilisateur	16
Déblocage de l'outil	16
Support technique	16
Attaches et pièces de rechange ..	16
Réparation de l'outil	16
Méthode d'assemblage pour les joints d'étanchéité	16
Attaches	17
Guide de dépannage	18
Garantie limitée	20

S'assurer de resserrer tous les raccords, boulons, etc. avant de le mettre en service.

Directives de Sécurité

Ce manuel contient de l'information très importante qui est fournie pour la SÉCURITÉ et pour ÉVITER LES PROBLÈMES D'ÉQUIPEMENT. Rechercher les symboles suivants pour cette information.

▲ DANGER Danger indique une situation dangereuse imminente qui MÈNERA à la mort ou à des blessures graves si elle n'est pas évitée.

▲ AVERTISSEMENT Avertissement indique une situation potentiellement dangereuse qui, si elle n'est pas évitée, POURRAIT mener à la mort ou à de graves blessures.

▲ ATTENTION Attention indique une situation potentiellement dangereuse qui, si elle n'est pas évitée, PEUT mener à des blessures mineures ou modérées.

AVIS Avis indique de l'information importante qui pourrait endommager l'équipement si elle n'est pas respectée.

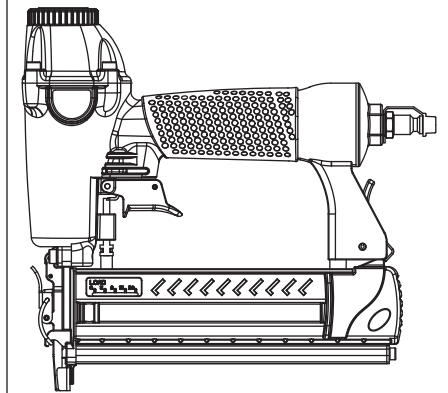
REMARQUE : L'information qui exige une attention spéciale.

Importantes instructions de sécurité

INSTRUCTIONS PORTANT SUR UN RISQUE D'INCENDIE, UN CHOC ÉLECTRIQUE OU DES BLESSURES AUX PERSONNES

Ce manuel contient des informations concernant la sécurité, le fonctionnement et l'entretien. Contacter votre représentant Campbell Hausfeld si vous avez des questions.

Modèle SB504010



Trouver le numéro de modèle et le code date sur le chargeur de l'outil et inscrire plus bas :

N° du Model: _____

Code de date: _____

Conserver ces numéros comme référence.

▲ AVERTISSEMENT En utilisant les outils, il faut suivre les précautions de base, y compris ce qui suit :

PROPOSITION 65 DE CALIFORNIE

▲ AVERTISSEMENT Ce produit ou son cordon peuvent contenir des produits chimiques qui, de l'avis de l'État de Californie, causent le cancer et des anomalies congénitales ou autres problèmes de reproduction. Lavez-vous les mains après la manipulation.

▲ AVERTISSEMENT

Vous pouvez créer de la poussière en coupant, ponçant, perçant ou meulant les matériaux tels que le bois, la peinture, le métal, le béton, le ciment ou autre maçonnerie. Cette poussière contient souvent des produits chimiques reconnus pour causer le



Description

Cet outil est conçu pour les garnitures décoratives, les encadrements de fenêtres, les garnitures de meubles, les cadres, les armoires, l'arrière de caisses et l'artisanat. Les caractéristiques incluent : pratique chargeur à chargement supérieur et latéral convenant jusqu'à 100 pointes de vitrier ou agrafes et échappement ajustable.

Déballage

Dès que l'appareil est déballé, l'inspecter attentivement pour tout signe de dommages en transit.

MÉMENTO: Gardez votre preuve datée d'achat à fin de la garantie!
Joignez-la à ce manuel ou classez-la dans un dossier pour plus de sécurité.


Les Cloueuses Campbell Hausfeld conformément aux/ou dépassent les standards de l'American National Standard/International Staple, Nail and Tool Association in ANSI/ISANTA SNT-101-2002.

IN735000AV 9/10

Importantes instructions de sécurité (Suite)

cancer, les déformations congénitales ou autres problèmes de la reproduction. Porter de l'équipement de protection.

GÉNÉRALITÉ :

- Pour réduire les risques de chocs électriques, d'incendie ou de blessures aux personnes, lire toutes les instructions avant d'utiliser l'outil. 
- Se familiariser avec ce produit, ses commandes et son utilisation. Suivez toutes les instructions. Contacter votre représentant Campbell Hausfeld si vous avez des questions.
- Seules les personnes familières avec ces règles d'utilisation sans danger devraient utiliser cette unité.

⚠ DANGER Lire et comprendre les étiquettes et le manuel sur les outils. Ne pas suivre les avertissements, les dangers et les mises en garde pourrait causer la MORT ou de GRAVES BLESSURES.

AIRE DE TRAVAIL



- Garder l'aire de travail propre et bien éclairée. Les établis encombrés et les coins sombres augmentent les risques de chocs électriques, d'incendie et de blessures aux personnes.
- Ne pas faire fonctionner l'outil dans une atmosphère explosive comme en présence de liquides, gaz ou poussières inflammables. L'outil peut produire des étincelles menant à une inflammation de poussières ou de fumées. 

- Garder les spectateurs, les enfants et les visiteurs loin en utilisant l'outil. Les distractions peuvent faire perdre le contrôle de l'outil.

SÉCURITÉ PERSONNELLE

- Rester vigilant. Il faut regarder ce que vous faites et utiliser son sens commun en faisant fonctionner un outil. Ne pas faire fonctionner l'appareil si vous êtes fatigué ou sous l'influence de drogues, d'alcool ou de médicaments. Un moment d'inattention en faisant fonctionner l'outil augmente le risque de blessures.
- Il faut s'habiller correctement. Ne pas porter de bijoux ou de vêtements amples. Attacher les cheveux longs. Garder les cheveux, les vêtements et les gants loin des pièces mobiles. Les vêtements amples, les bijoux ou les cheveux longs augmentent le risque de blessures si quelque chose se prend dans les pièces mobiles.
- Éviter tout démarrage accidentel. S'assurer que l'interrupteur est en position d'arrêt (off) avant de brancher à l'alimentation d'air. Ne pas transporter l'outil avec le doigt sur l'interrupteur ni brancher l'outil à l'alimentation d'air avec l'interrupteur en marche.
- Ne pas trop se pencher. Garder bon pied et bon équilibre en tout temps. Ceci permet d'avoir un meilleur contrôle de l'outil dans les situations imprévues.
- Utiliser l'équipement de sécurité. Il faut utiliser un masque antipoussières, des souliers de sécurité antidérapants et un casque

de protection appropriés pour les conditions en cours.

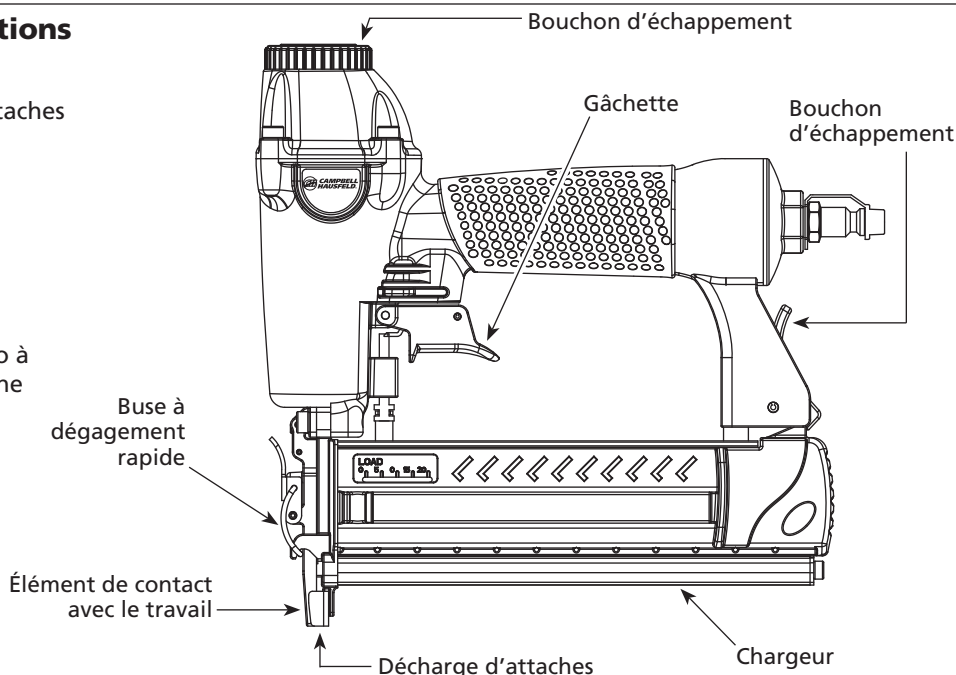
- Toujours porter une protection pour les yeux. 
- Toujours porter une protection auditive en utilisant l'outil. Toute exposition prolongée à des bruits de forte intensité pourrait provoquer une perte auditive. 
- Ne pas attacher le boyau d'air ou l'outil à votre corps. Fixer le boyau à la structure pour réduire le risque de perte d'équilibre si le boyau se déplace.
- Toujours assumer que l'outil contient des attaches. Ne pas pointer l'outil vers soi ou vers quelqu'un d'autre qu'il y ait des attaches ou non.
- ⚠ AVERTISSEMENT** Ne pas clouer sur le dessus d'un autre clou. Ceci pourrait faire dévier le clou qui pourrait alors frapper quelqu'un ou l'outil pourrait réagir provoquant des blessures.
- ⚠ AVERTISSEMENT** Retirer le doigt de la gâchette lorsqu'on n'enfoncé pas d'attaches. Ne jamais transporter l'outil avec le doigt sur la gâchette car l'outil pourrait déclencher l'attaque.

⚠ DANGER Toujours bien s'équilibrer pendant la manipulation ou l'utilisation de l'outil.

⚠ ATTENTION Éviter d'utiliser l'outil pour une période de temps prolongée. Cesser d'utiliser l'outil si l'on ressent des douleurs dans les mains ou dans les bras.

Pièces Détachées et Spécifications de la l'outil

- EXIGENCES:** 0,01 m³/min avec 10 attaches à la minute @ 621 kPa
- PRISE D'AIR:** 6,4 mm (1/4 po) NPT
- CAPACITÉ DU CHARGEUR:** 100 attaches par charge, calibre 18
- POINTES DE VITRIER:** 9,5 mm à 5,08 cm (3/8 po à 2 po)
- AGRAFES:** 12,7 mm à 3,81 cm (1/2 po à 1-1/2 po); 6,4 mm (1/4 po) de couronne
- POIDS:** 1,19 kg (2 lb, 10 oz)
- LONGUEUR:** 26,67 cm (10-1/2 po)
- HAUTEUR:** 24,77 cm (9-3/4 po)
- PRESSIION MAXIMALE:** 827 kPa
- GAMME DE PRESSIION:** 414 kPa à 827 kPa



Importantes instructions de sécurité (Suite)

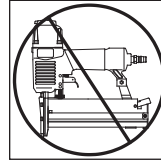
UTILISATION ET ENTRETIEN DE L'OUTIL

- Utiliser des pinces ou tout autre moyen pratique pour fixer et supporter le travail à une plateforme stable. Tenir le travail de la main ou contre le corps est instable et pourrait mener à une perte de contrôle.
- Ne pas forcer l'outil. Utiliser le bon outil pour l'application. Le bon outil effectuera le meilleur travail sécuritaire au rythme pour lequel il a été conçu.
- Ne pas utiliser l'outil si l'interrupteur ne met pas l'outil en marche ou ne l'arrête pas. Tout outil qui ne peut pas être contrôlé par l'interrupteur est dangereux et doit être réparé.
- AVERTISSEMENT** *Débrancher l'outil de la source d'air avant tout ajustement, entretien de l'outil, déblocages, avant de quitter l'aire de travail, de charger ou de décharger l'outil.* De telles mesures de précautions réduisent le risque de blessures.
- Ranger l'outil lorsqu'il n'est pas utilisé hors de portée des enfants et autres personnes non formées. Un outil est dangereux dans les mains d'utilisateurs non formés.
- Il faut entretenir l'outil avec soin. Gardez un outil de coupe tranchant et propre. Un outil bien entretenu aux bords de coupe tranchants est moins susceptible de bloquer et est plus facile à contrôler.
- Vérifier pour tout signe de mauvais alignement ou grippage de pièces mobiles, bris de pièces et toute autre condition qui pourrait affecter le fonctionnement de l'outil. Si l'outil est endommagé, le réparer avant de l'utiliser. De nombreux accidents sont causés par des outils mal entretenus. Il y a un risque d'éclatement si l'outil est endommagé.
- Utiliser seulement les attaches indiquées dans la section des Accessoires de ce manuel. Les attaches non identifiées pour une utilisation avec cet outil par le fabricant de l'outil pourraient mener à des risques de blessures pour les personnes ou des dommages à l'outil si utilisées dans cet outil.
- Choisir un système d'activation de l'outil approprié en tenant compte de l'application de travail prévue pour l'outil.

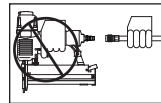
DANGER *Ne jamais utiliser de l'essence ni les fluides inflammables pour le nettoyage de l'outil. Ne jamais utiliser l'outil près d'un liquide ou gaz inflammable. Une étincelle peut allumer les vapeurs et causer une explosion qui peut résulter en perte de vie ou blessures graves personnelles.*



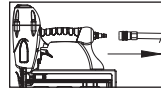
DANGER *Ne pas retirer, modifier ou faire quoique ce soit qui pourrait rendre la gâchette ou le mécanisme de déclenchement par contact (WCE) inutilisable. Ne pas faire fonctionner d'outil qui a été modifié de cette façon. Cela pourrait mener à la mort ou à de graves blessures.*



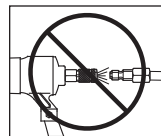
DANGER *Ne toucher à la gâchette qu'au moment de poser des attaches. Ne jamais attacher de conduite d'air à l'outil ni transporter l'outil en touchant la gâchette. L'outil pourrait décharger une attache menant à la mort ou à de graves blessures. Actionner aussi le verrou de gâchette à une position sans danger lorsque l'appareil n'est pas utilisé.*



AVERTISSEMENT *Toujours débrancher l'outil de la source de courant en votre absence, en effectuant des réparations ou son entretien, en débloquant l'appareil ou en le déplaçant ailleurs. Ne pas charger l'outil d'attaches lorsque la gâchette est enfoncée. L'éjection accidentelle d'une attache peut causer des blessures graves ou mortelles.*



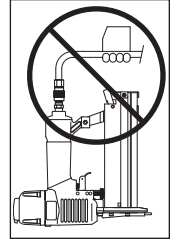
AVERTISSEMENT *Toujours installer un raccord ou un tuyau de raccord sur ou près de l'outil afin que tout air comprimé de l'outil soit déchargé au moment où l'on débranche le raccord ou le boyau. Ne pas utiliser un clapet ni autre raccord qui permet que l'air reste dans l'outil. Cela peut entraîner des blessures graves ou mortelles.*



AVERTISSEMENT *Ne jamais poser l'embout de clouage sur la main ou sur toute autre partie du corps. L'éjection accidentelle d'une attache peut causer des blessures graves ou mortelles.*

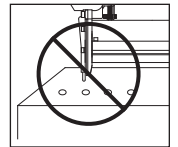


AVERTISSEMENT *Ne jamais transporter l'outil par le tuyau à air. Ne jamais tirer sur le tuyau pour déplacer l'outil ou le compresseur. Garder le tuyau à air à l'écart de la chaleur, l'huile et les objets pointus. Remplacer les tuyaux endommagés, faibles ou usés. Sinon, il y a risque de blessures personnelles ou de dommage à l'outil.*



AVERTISSEMENT *Toujours prendre pour acquis que l'outil contient des attaches. Respecter l'outil comme accessoire de travail non pas un jouet. Donc aucun jeu brutal. Toujours garder les autres personnes à une distance de sécurité de l'aire de travail en cas de décharge accidentelle des attaches. Ne pas pointer l'outil vers vous ou vers quelqu'un d'autre qu'il y ait ou non des attaches dans l'outil. Le déclenchement accidentel de l'outil pourrait causer la mort ou de graves blessures.*

AVERTISSEMENT *Ne jamais enfoncer les attaches une par-dessus l'autre. L'attache pourrait ricocher et causer la mort ou une blessure grave de perforation.*



AVERTISSEMENT *Ne pas utiliser l'outil ni permettre qu'une autre personne l'utilise si les avertissements ou les étiquettes d'avertissement situés sur le chargeur et corps de l'outil ne sont pas lisibles.*



AVERTISSEMENT *Ne pas échapper ni jeter l'outil car ceci peut causer du dommage le rendant dangereux à utiliser. Si l'outil s'est fait échappé ou jeté, l'examiner soigneusement afin de déterminer s'il est courbé, fendu ou s'il y a des fuites ou pièces détachées endommagées. ARRÊTER et réparer avant d'utiliser, sinon, il y a risque de blessures graves.*

AVIS *Éviter d'utiliser l'outil lorsque le chargeur est vide. Sinon, il y a risque d'usure accéléré de l'outil.*

AVIS *Nettoyer et vérifier tous les tuyaux et raccords avant de brancher l'outil au compresseur d'air. Remplacer les tuyaux ou les raccords endommagés ou usés, sinon, le rendement et la durabilité de l'outil seront affectés.*

SERVICE

- Tout le travail d'entretien et de réparation doit être effectué seulement par un personnel de réparation qualifié.
- En réparant ou faisant l'entretien d'un outil, utiliser seulement des pièces de rechange identiques.

Importantes instructions de sécurité (Suite)

Utiliser seulement des pièces autorisées.

- c. Utiliser seulement les lubrifiants fournis avec l'outil ou spécifiés par le fabricant.

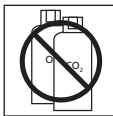
ATTENTION Ne pas apporter de modifications à l'outil sans d'abord obtenir une approbation écrite de Campbell Hausfeld. N'utilisez pas d'outil si les écrans ou protecteurs ont été enlevés ou altérés. Ne pas utiliser l'outil comme marteau. Cela peut entraîner des blessures ou endommager l'appareil.

ATTENTION Pour éviter l'expulsion d'une attache, débrancher la source d'air et relâcher la tension du poussoir avant de procéder au déblocage. Sinon, il y a risque de blessures.

SOURCE D'AIR

- a. Ne jamais brancher à une source d'air pouvant dépasser 1379 kPa (200 lb/po²). Une surpression de l'outil peut mener à un éclatement, une opération anormale, un bris de l'outil ou de graves blessures. Utiliser seulement de l'air comprimé propre, sec, contrôlé à une pression nominale ou dans la plage de pression nominale tel qu'indiqué sur l'outil. Toujours vérifier avant d'utiliser l'outil que la source d'air est ajustée à la pression d'air nominale ou dans la plage de pression d'air nominale.
- b. Ne jamais utiliser d'oxygène, de dioxyde de carbone, de gaz combustible ou tout gaz en bouteille comme source d'air de l'outil. De tels gaz peuvent exploser et provoquer de graves blessures.

DANGER Ne pas utiliser comme source d'alimentation tout type de gaz réactif, y compris, mais sans s'y limiter, de l'oxygène et des gaz combustibles. Utiliser seulement de l'air comprimé filtré, lubrifié et réglé. Utiliser un gaz réactif au lieu d'air



comprimé pourrait faire exploser l'outil ce qui pourrait provoquer des blessures graves voire la mort.

DANGER

Utiliser seulement une source d'air comprimé à pression pour limiter la pression d'air fournie à l'outil. La pression contrôlée ne doit pas dépasser 827 kPa. S'il y a une défaillance du régulateur, la pression livrée à l'outil ne doit pas dépasser 1 379 kPa. L'outil pourrait exploser ce qui pourrait mener à la mort ou à des blessures graves.



CONSERVER CES INSTRUCTIONS
NE LES JETEZ PAS

Mode d'Emploi

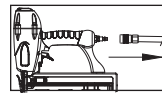
GRAISSAGE

Cet outil exige le graissage avant son usage initial et avant chaque usage. Si vous utilisez un graisseur en canalisation, le graissage manuel à travers la prise d'air n'est pas exigé quotidiennement.

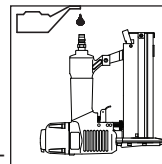
AVIS

La surface de travail peut être endommagée par le graissage excessif. Le graissage correct est la responsabilité de l'utilisateur. Manque de graisser l'outil correctement peut raccourcir la durée de l'outil et peut annuler votre garantie.

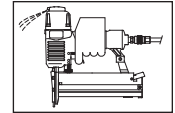
1. Débrancher la source d'air de l'outil avant de graisser.



2. Tourner la l'outil de manière à ce que la prise d'air comprimé soit dirigée vers le haut. Introduire 4 ou 5 gouttes d'huile non-détergente dans la prise d'air comprimé. Ne pas utiliser d'huile détergente, d'additif à huile ni d'huile pour outils à air comprimé. Ces dernières contiennent des solvants qui peuvent endommager les pièces intérieures de l'outil.



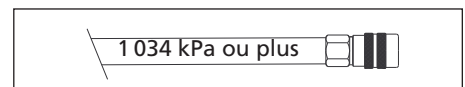
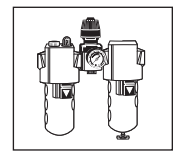
3. Après l'addition d'huile, faire fonctionner brièvement l'outil. Enlever tout excès d'huile sortant par le déflecteur d'échappement.



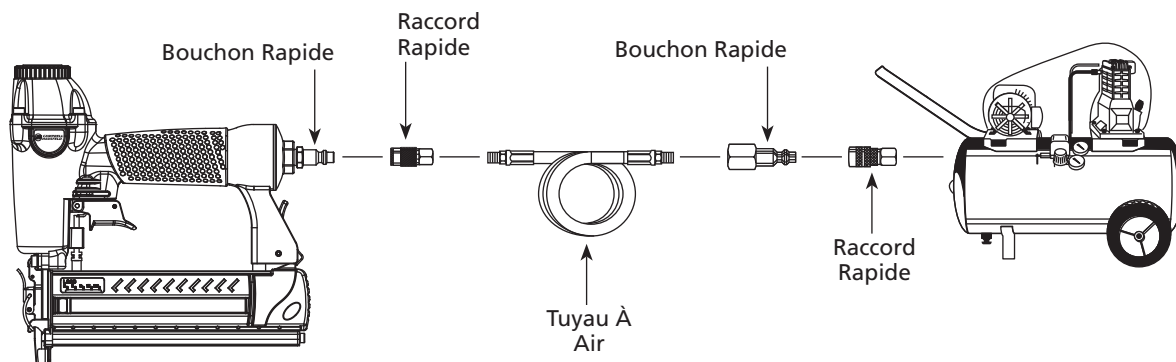
BRANCHEMENT RECOMMANDÉ

Le branchement recommandé est illustré ci-dessous.

1. Le compresseur d'air doit conserver un minimum de 414 kPa pendant l'utilisation de l'outil. L'alimentation d'air insuffisante peut réduire la puissance de l'outil et peut affecter l'efficacité de l'enfoncement.
2. Un graisseur peut être utilisé pour fournir la circulation d'huile à travers l'outil. Un filtre peut être utilisé pour enlever les matières liquides et solides qui peuvent encrasser les pièces internes de l'outil.
3. Toujours utiliser des tuyaux d'admission d'air d'une pression nominale minimum égale ou plus grande que la pression de la source d'alimentation si un régulateur cesse de fonctionner correctement ou de 1 034 kPa, selon la pression la plus élevée. Utiliser un tuyau d'air de 6,4 mm (1/4 po) pour les longueurs jusqu'à 15 m (50 pieds). Utiliser les tuyaux d'air de 9,5 mm (3/8 po) pour 15m ou plus. Pour un meilleur rendement, installer un bouchon rapide de 9,5 mm (3/8 po) avec (filets d'1/4 po NPT) un diamètre intérieur de 0,315 (8 mm) sur l'outil et un raccord rapide de 9,5 mm (3/8 po) sur le tuyau.



Branchement minimum recommandé



Mode d'Emploi (Suite)

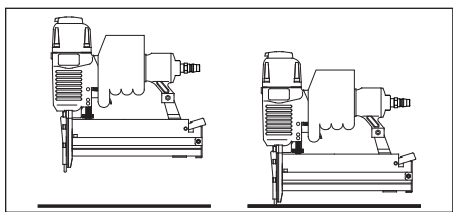
- Utiliser un régulateur de pression sur le compresseur avec une pression de service de 0 kPa - 862 kPa. Un régulateur de pression est indispensable pour maintenir la pression de service de l'outil entre 414 kPa et 827 kPa.

MODE D'OPÉRATION - MÉTHODE D'EXPULSION SIMPLE

⚠ AVERTISSEMENT *Toujours déterminer le mode d'opération avant d'utiliser l'outil. Sinon, il y a risque de mort ou blessures graves.*

La gâchette doit être tirée chaque fois qu'un clou soit enfoncé. La cloueuse peut être actionnée en plaçant le mécanisme de déclenchement WCE contre la surface de travail et ensuite en tirant sur la gâchette.

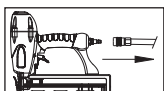
La gâchette doit être relâchée afin de rajuster l'outil avant d'enfoncer un autre clou.



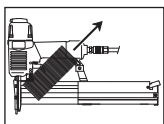
MÉCANISME DE DÉCLENCHEMENT PAR CONTACT (WCE)

⚠ ATTENTION *Vérifier le fonctionnement du mécanisme de déclenchement par contact (WCE) avant chaque usage. Le WCE doit fonctionner avec un mouvement libre, sans restrictions. Le ressort WCE doit se retourner au WCE à sa position complètement allongée après le surbaïssement. Ne pas faire fonctionner la cloueuse si le mécanisme de déclenchement WCE ne fonctionne pas correctement. Ceci peut résulter en blessures personnelles.*

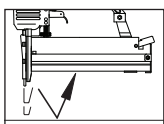
- Débrancher la source d'air de l'outil.



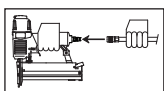
- Enlever tous les attaches du chargeur (Voir Chargement-Déchargement)



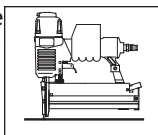
- S'assurer que la gâchette et le mécanisme de déclenchement (WCE) fonctionnent avec un mouvement libre sans restrictions.



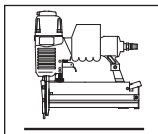
- Brancher à nouveau la source d'air à l'outil.



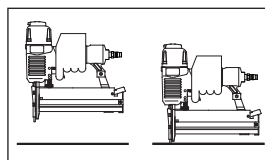
- Appuyer le mécanisme de déclenchement par contact (WCE) sur la surface de travail sans actionner la gâchette. L'outil **NE DOIT PAS FONCTIONNER**. Si l'éjection d'une attache se produit sans que l'on actionne la gâchette, ne pas utiliser cet appareil. Il y a risque de blessures.



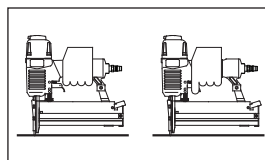
- Oter l'outil de la surface de travail. Le mécanisme de déclenchement par contact (WCE) doit redescendre à sa position initiale. L'outil **NE DOIT PAS FONCTIONNER**. Si l'éjection d'une attache se produit lorsqu'on relève l'outil, ne pas utiliser celle-ci. Il y a risque de blessures.



- Actionner la gâchette. Appuyer le mécanisme de déclenchement par contact (WCE) sur la surface de travail. L'outil **NE DOIT PAS FONCTIONNER**.



- Appuyer le mécanisme de déclenchement par contact (WCE) sur la surface de travail. Actionner la gâchette. L'outil **DOIT FONCTIONNER**.

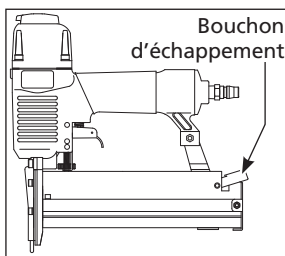


⚠ AVERTISSEMENT *Un outil qui ne fonctionne pas correctement ne doit pas être utilisé. Ne pas activer l'outil à moins qu'il soit placé bien fermement sur la pièce.*

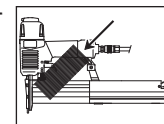
CHARGEMENT / DÉCHARGEMENT DE LA CLOUEUSE

- Toujours débrancher l'outil à l'alimentation d'air avant de charger les attaches.

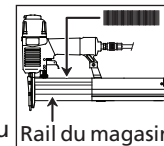
- Soulever le loquet. Tirer sur le couvercle du chargeur.



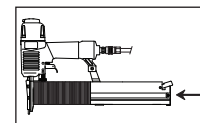
- 3a. Pour les clous, insérer des clous Campbell Hausfeld o l'équivalent (voir la section « Attaches ») dans le magasin. Les points des clous devraient reposer sur le rebord au fond du chargeur pendant le chargement. S'assurer que les clous ne sont pas sales ou endommagés.



- 3b. Pour les agrafes, remplir un chargeur d'agrafes avec les couronnes chevauchant le rail du magasin.



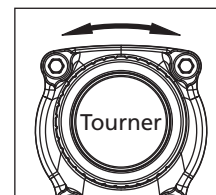
4. Pousser le couvercle du chargeur en avant jusqu'à ce que le loquet s'enclenche.



5. Toujours retirer toutes les attaches du chargeur avant de ranger l'outil. Le déchargement est l'inverse du chargement, sauf qu'on doit débrancher l'alimentation d'air avant de décharger.

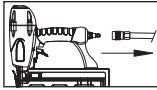
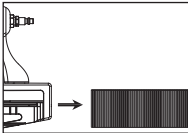
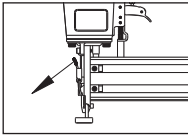
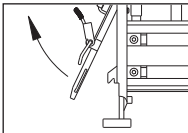
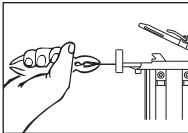
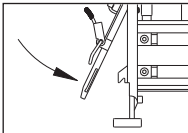
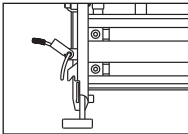
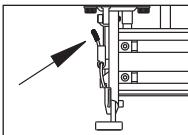
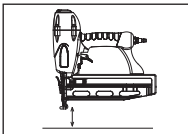
AJUSTEMENT DE LA DIRECTION D'ÉCHAPPEMENT

L'outil est équipé d'un déflecteur d'échappement orientable. Ceci permet le changement de direction de l'échappement. Orienter le déflecteur à la position désirée.



Instructions de Maintenance de l'Utilisateur

DÉBLOCAGE DE LA L'OUTIL

1. Débrancher la cloueuse de la source d'air. 
2. Oter tous les clous du chargeur (Voir "Chargement / Déchargement"). 
3. Ouvrir le verrou en tirant vers l'extérieur et vers le bas. Le verrou métallique se désengage des crochets de la buse. 
4. La porte peut maintenant tourner exposant l'attache bloquée. 
5. Retirer l'attache bloquée, utilisant des pinces ou un tournevis si requis. 
6. Tourner la porte pour la remettre en position fermée. 
7. Sortir le verrou métallique et placer sur les crochets de la buse. 
8. Fermer le verrou en poussant le verrou vers le haut et vers l'intérieur jusqu'à ce que le verrou s'enclenche en place. 
9. S'assurer que la gâchette et la pointe de contact (PC) se déplacent librement vers le haut et vers le bas sans coller ou gripper. 

SUPPORT TECHNIQUE

Pour tout renseignement sur le fonctionnement ou la réparation de cet outil, veuillez utiliser notre numéro d'assistance 1-800-543-6400 ou pour obtenir d'autres copies de ce manuel.

ATTACHES ET PIÈCES DE RECHANGE

⚠ AVERTISSEMENT *N'utiliser que des clous N° 18 de Campbell Hausfeld (ou un équivalent - Voir la note "Compatibilité avec d'autres appareils"). La performance de l'outil, sa sécurité et sa durabilité pourraient être réduites si l'on utilise les mauvaises attaches. Lors d'une commande de pièces de rechange ou de clous, préciser le numéro de pièce.*

RÉPARATION DE LA L'OUTIL

Seul le personnel dûment qualifié devrait réparer l'outil en utilisant des pièces de rechange et des accessoires Campbell Hausfeld authentiques ou des pièces et accessoires qui fonctionnent de manière équivalente.

MÉTHODE D'ASSEMBLAGE POUR LES JOINTS D'ÉTANCHÉITÉ

Les pièces internes doivent être nettoyées et graissées pendant la réparation d'un outil. Utiliser le Parker O-lube ou l'équivalent sur tous les joints toriques. Chaque joint torique doit être enrobé avec du O-lube avant l'assemblage. Utiliser un peu d'huile sur toutes les surfaces mouvantes et pivots. Après le remontage, ajouter quelques gouttes d'huile sans détergent 30W ou l'équivalent à travers la canalisation d'air avant de faire l'essai.

RANGEMENT

L'outil doit être rangé dans un endroit frais et sec.

Attaches

POINTES DE VITRIER

Les clous Campbell Hausfeld Brad ci-dessous sont disponibles chez votre magasin local. Pour de l'assistance pour trouver n'importe quel pièce, composer 1-800-543-6400. Les clous Campbell Hausfeld sont conformes ou supérieurs à la norme ASTM F1667.

Modèle	Longueur	Calibre de la Tige	Fini	Tête	Collation	Clous par Rangée	Clous par Boîte
FB180016	15,9 mm (5/8 po)	18	Galvanisé	Étêtée / Brun	Adhésive	100	1000
FB180025	2,54 cm (1 po)	18	Galvanisé	Étêtée / Brun	Adhésive	100	1000
FB180030	3,18 cm (1-1/4 po)	18	Galvanisé	Étêtée / Brun	Adhésive	100	1000
FB180040	3,81 cm (1-1/2 po)	18	Galvanisé	Étêtée / Brun	Adhésive	100	1000
FB180050	5,08 cm (2 po)	18	Galvanisé	Étêtée / Brun	Adhésive	100	1000

INFORMATION D'INTERCHANGEABILITÉ

Cet outil enfonce la plupart des marques de pointes de vitrier assemblées avec ces spécifications :

- Calibre 18
- Longueur : 0,95 cm (3/8 po) à 5,08 cm (2 po)

AGRAFES À COURONNE

Les agrafes Campbell Hausfeld Brad ci-dessous sont disponibles chez votre magasin local. Pour de l'assistance pour trouver n'importe quel pièce, composer 1-800-543-6400. Les agrafes Campbell Hausfeld sont conformes ou supérieurs à la norme ASTM F1667.

Modèle	Longueur	Calibre de Fil	Taille de Tête	Pointe	Fini	Collation	Clous par Rangée	Clous par Boîte
FN180615	12,7 mm (1/2 po)	18	1/4 po	Burin	Galvanisé / Enduit de Vinyle	Adhésive	100	1000
FN180620	19,1 mm (3/4 po)	18	1/4 po	Burin	Galvanisé / Enduit de Vinyle	Adhésive	100	1000
FN180625	2,54 cm (1 po)	18	1/4 po	Burin	Galvanisé / Enduit de Vinyle	Adhésive	100	1000
FN180630	3,18 cm (1-1/4 po)	18	1/4 po	Burin	Galvanisé / Enduit de Vinyle	Adhésive	100	1000

INFORMATION D'INTERCHANGEABILITÉ

Cet outil enfonce la plupart des marques d'agrafes assemblées avec ces spécifications :

- Calibre 18
- Longueur : 1,27 cm (1/2 po) à 3,81 cm (1-1/2 po)
- Taille de couronne : 0,64 cm (1/4 po)

Guide de Dépannage

AVERTISSEMENT

Cessez l'utilisation de la cloueuse immédiatement en cas des problèmes suivants, car il résulte un risque de blessures graves. Toutes réparations doivent être effectuées par un Technicien Qualifié ou par un Centre De Service Autorisé.

Problème	Cause(s)	Solution(s)
Fuite d'air à l'endroit de la soupape de la gâchette	Joint torique endommagés dans le carter de la soupape de la gâchette	Remplacer les joints toriques
Fuite d'air entre le carter et le nez	1. Joints torique endommagés 2. Amortisseur endommagé	1. Remplacer les joints torique 2. Remplacer l'amortisseur
Fuite d'air entre le carter et le capuchon	1. Vis desserrées 2. Joint d'étanchéité endommagé	1. Serrer les vis 2. Remplacer le joint d'étanchéité
La cloueuse saute un clou pendant l'expulsion	1. Amortisseur usé 2. Saleté dans la pièce du nez 3. Saleté ou dommage qui empêche le fonctionnement libre des clous ou du poussoir dans le chargeur 4. Ressort de poussoir endommagé 5. Circulation d'air insuffisante à la cloueuse 6. Joint torique du piston usé ou manque de lubrification 7. Joint torique de la soupape de gâchette endommagé 8. Fuites d'air 9. Fuite du joint étanchéité du capuchon	1. Remplacer l'amortisseur 2. Nettoyer la rainure du chassoir 3. Nettoyer le chargeur 4. Remplacer le ressort 5. Inspecter le raccord, tuyau ou le compresseur 6. Remplacer les joints torique. Graisser. 7. Remplacer les joints torique 8. Serrer les vis et raccords 9. Remplacer le joint d'étanchéité
La cloueuse fonctionne lentement ou a une perte de puissance	1. Graissage insuffisant de la cloueuse 2. Rupture du ressort du capuchon de cylindre 3. Orifice d'échappement du capuchon obstrué	1. Graisser la cloueuse 2. Remplacer le ressort 3. Remplacer les pièces internes endommagées
Blocage des clous	1. Guide du chassoir usé 2. Clous de mauvaise taille 3. Clous courbés 4. Vis du chargeur ou nez dégagés 5. Chassoir endommagé	1. Remplacer le guide 2. Utiliser les clous de taille recommandée 3. Remplacer les clous 4. Serrer les vis 5. Remplacer le chassoir

Garantie Limitée

1. DURÉE: À partir de la date d'achat par l'acheteur original comme suit - Un An.
2. GARANTIE ACCORDÉE PAR (GARANT): Campbell Hausfeld/Scott Fetzer Company, 100 Production Drive, Harrison, Ohio, 45030, Téléphone: (800) 543-6400
3. BÉNÉFICIAIRE DE CETTE GARANTIE (ACHETEUR): L'acheteur original (sauf en cas de revente) du produit Campbell Hausfeld.
4. PRODUITS COUVERTS PAR CETTE GARANTIE: Cette agrafeuse ou cloueuse Campbell Hausfeld.
5. COUVERTURE DE LA PRÉSENTE GARANTIE: Défauts importants des matériaux et de main d'oeuvre qui se produisent durant la période de garantie à l'exception de ce qui est noté plus bas.
6. LA PRÉSENTE GARANTIE NE COUVRE PAS:
 - A. Les garanties implicites, y compris celles de commercialisabilité et D'ADAPTION À UNE FONCTION PARTICULIÈRE SONT LIMITÉES À PARTIR DE LA DATE D'ACHAT INITIALE TELLE QU'INDIQUÉE DANS LA SECTION DURÉE. Si ce produit est utilisé pour une fonction commerciale, industrielle ou pour la location, la durée de la garantie sera quatre-vingt-dix (90) jours à compté de la date d'achat. Quelques Provinces (États) n'autorisent pas de limitations de durée pour les garanties implicites. Les limitations précédentes peuvent donc ne pas s'appliquer.
 - B. TOUT DOMMAGE, PERTE OU DÉPENSE FORTUIT OU INDIRECT POUVANT RÉsulTER DE TOUT DÉFAUT, PANNE OU MAUVAIS FONCTIONNEMENT DU PRODUIT CAMPBELL HAUSFELD. Quelques Provinces (États) n'autorisent pas l'exclusion ni la limitation des dommages fortuits ou indirects. La limitation ou exclusion précédente peut donc ne pas s'appliquer.
 - C. Toute panne résultant d'un accident, d'une utilisation abusive, de la négligence ou d'une utilisation ne respectant pas les instructions données dans le(s) manuel(s) accompagnant le produit. Un accident, l'utilisation abusive par l'acheteur, la négligence ou le manque de faire fonctionner les produits selon les instructions comprend aussi l'enlèvement ou la modification de n'importe quel appareil de sûreté. Si ces appareils de sûreté sont enlevés ou modifiés, la garantie sera annulée.
 - D. Réglages normaux qui sont expliqués dans le(s) manuel(s) d'utilisation accompagnant le produit.
 - E. Articles ou services qui sont exigés pour l'entretien normal du produit; par ex. joints toriques, ressorts, butées, filtres de débris, lames d'entraînement, joints d'étanchéité, emballages ou sceaux, lubrifiants ou toute autre pièce consommable non spécifiquement indiquée. Ces articles ne seront couverts que pendant quatre-vingt-dix (90) jours de la date d'achat original. Les articles soulignés sont garantis contre les défauts de matériaux et de main d'œuvre seulement.
7. RESPONSABILITÉS DU GARANT AUX TERMES DE CETTE GARANTIE: Réparation ou remplacement, au choix du Garant, de produits ou composants défectueux, ont connu une défaillance ou qui ne sont pas conformes pendant la durée précise de validité de la garantie.
8. RESPONSABILITÉS DE L'ACHETEUR AUX TERMES DE CETTE GARANTIE:
 - A. Fournir une preuve d'achat datée et un état d'entretien.
 - B. Appelez Campbell Hausfeld (800) 543-6400 pour obtenir vos options de service sous garantie. Les frais de transport sont la responsabilité de l'acheteur.
 - C. Utilisation et entretien du produit avec un soin raisonnable, ainsi que le décrit le(s) manuel(s) d'utilisation.
9. RÉPARATION OU REMPLACEMENT EFFECTUÉ PAR LE GARANT AUX TERMES DE LA PRÉSENTE GARANTIE: La réparation ou le remplacement sera prévu et exécuté en fonction de la charge de travail dans le centre de service et dépendra de la disponibilité des pièces de rechange.

Cette Garantie Limitée s'applique aux É.-U., au Canada et au Mexique seulement et vous donne des droits juridiques précis. L'acheteur peut également jouir d'autres droits qui varient d'une Province, d'un État ou d'un Pays à l'autre.

Por favor lea y guarde estas instrucciones. Léalas cuidadosamente antes de tratar de montar, instalar, operar o dar mantenimiento al producto aquí descrito. Protéjase usted mismo y a los demás observando toda la información de seguridad. ¡El no cumplir con las instrucciones puede ocasionar daños, tanto personales como a la propiedad! Guarde estas instrucciones para referencia en el futuro.



Clavadora / grapadora 2 en 1 de 2 pulg.

Índice

Descripción	21
Desempaque	21
Medidas de Seguridad	21
Instrucciones de Seguridad Importantes	21
Componentes y Especificaciones de la Herramienta	22
Instrucciones de Funcionamiento ..	24
Lubricación	24
Conexión Recomendada	24
Modo de Operación	25
Elemento de Contacto	25
Para Cargar y Descargar la Herramienta	25
Para Ajustar la Dirección del Tubo de Escape	25
Instrucciones de Uso y Mantenimiento	26
Cómo Desobstruir la Herramienta ..	26
Servicio Técnico	26
Sujetador y Piezas de Repuesto ..	26
Para Reparar la Herramienta	26
Para Colocarle los Sellos	26
Sujetadores	27
Guía de Diagnóstico de Averías	28
Garantía Limitada	30

Medidas de Seguridad

Este manual contiene información que es muy importante que sepa y comprenda. Esta información se la suministramos como medida de SEGURIDAD y para EVITAR PROBLEMAS CON EL EQUIPO. Debe reconocer los siguientes símbolos.

⚠ PELIGRO Peligro indica una situación inminentemente peligrosa, que si no se evita, dará como resultado la muerte o lesiones graves.

⚠ ADVERTENCIA Advertencia indica una situación potencialmente peligrosa, que si no se evita, PODRÍA ocasionar la muerte o lesiones graves.

⚠ PRECAUCION Precaución indica una situación potencialmente peligrosa, que si no se evita, PUEDE dar como resultado lesiones leves o moderadas.

AVISO Aviso indica una información importante, que de no seguirla, le podría ocasionar daños al equipo.

NOTA: Información que requiere atención especial.

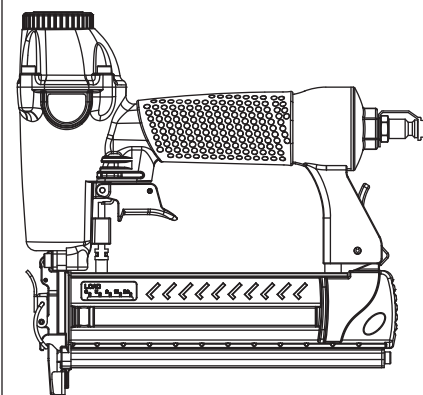
Instrucciones de Seguridad Importantes

INSTRUCCIONES EN REFERENCIA AL PELIGRO DE INCENDIOS, CHOQUE ELÉCTRICO O LESIONES PERSONALES

Este manual contiene información sobre seguridad, funcionamiento y mantenimiento. Póngase en contacto con su representante Campbell Hausfeld si tiene alguna pregunta.

⚠ ADVERTENCIA Cuando se usen herramientas, siempre se deberán seguir precauciones básicas, incluyendo las siguientes:

Modelo SB504010



Localice el modelo y el código de fecha en la herramienta y regístrelo debajo:

Modelo: _____

Código de fecha: _____

Guarde estos números para referencia futura.

PROPOSICIÓN 65 DE CALIFORNIA

⚠ ADVERTENCIA Este producto, o su cordón eléctrico, puede contener productos químicos conocidos por el estado de California como causantes de cáncer y defectos de nacimiento u otros daños reproductivos. Lave sus manos después de usar.

⚠ ADVERTENCIA Cuando corta lija, taladra o pule materiales como por ejemplo madera, pintura, metal, hormigón, cemento, u otro tipo de mampostería se puede producir polvo. Con frecuencia este polvo contiene productos químicos que se conocen como causantes de cáncer, defectos congénitos u otros daños reproductivos. Use equipo de protección.



Descripción

Esta clavadora está diseñada para trabajos de acabado, moldes interiores, bases, paneles, ensamblaje e instalación de gabinetes. Las características incluyen: práctico cargador de carga superior y lateral con una capacidad de hasta 100 clavos o grapas y orificio de salida ajustable.

Desempaque

Al desempacar este producto, revíselo con cuidado para cerciorarse de que esté en perfecto estado. Cericírese de apretar todas las conexiones, pernos, etc. antes de comenzar a utilizar la unidad.


RECORDATORIO: ¡Guarde su comprobante de compra con fecha para fines de la garantía! Adjúntela a este manual o archívela en lugar seguro.

Las clavadoras de Campbell Hausfeld cumplen o exceden los estándares de la Industria establecidos en los códigos SNT-101-2002 de las organizaciones norteamericanas ANSI/ISANTA.

IN735000AV 9/10


Instrucciones de Seguridad Importantes (Cont.)

GENERAL



- a. Para reducir el riesgo de choque eléctrico, incendio y lesiones personales, lea todas las instrucciones antes de usar la herramienta. 
- b. Familiarícese con los controles y el uso adecuado del equipo. Siga todas las instrucciones. Póngase en contacto con su representante Campbell Hausfeld si tiene alguna pregunta.
- c. Sólo se les debe permitir usar esta unidad a aquellas personas bien familiarizadas con estas reglas de manejo seguro.

▲ PELIGRO Lea y comprenda las etiquetas y el manual de la herramienta. Si no respeta las advertencias, los riesgos y las recomendaciones, eso podría resultar en la MUERTE o en LESIONES GRAVES.

ÁREA DE TRABAJO

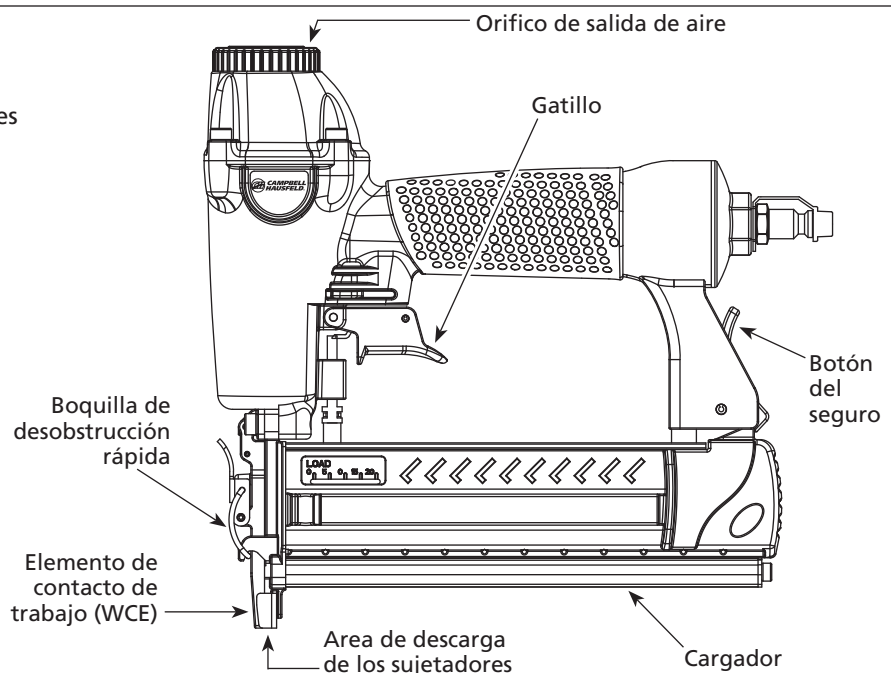
- a. Mantenga el área de trabajo limpia y bien iluminada. Los bancos desordenados y las áreas oscuras aumentan el riesgo de choque eléctrico, incendio y lesiones personales. 
- b. No haga funcionar la herramienta en entornos explosivos, como por ejemplo cuando haya polvo, líquidos o gases inflamables. La herramienta puede crear chispas y provocar la ignición de polvo o vapores.
- c. Mantenga alejados a los observadores, niños y visitantes mientras hace funcionar la herramienta. Las distracciones pueden dar como resultado la pérdida del control de la herramienta.
- d. No intente alcanzar lugares alejados. Mantenga un buen soporte y equilibrio en todo momento.

SEGURIDAD PERSONAL

- a. Manténgase alerta. Mire lo que está haciendo y use el sentido común cuando haga funcionar la herramienta. No use la herramienta si está cansado o bajo la influencia de drogas, alcohol o medicamentos. Un momento de desatención mientras hace funcionar la herramienta aumenta el riesgo de lesiones personales.
- b. Vístase adecuadamente. No use alhajas ni vestimenta suelta. Sujétese el cabello largo. Mantenga el cabello, vestimenta y guantes alejados de las piezas móviles. La vestimenta suelta, las alhajas o el cabello largo aumentan el riesgo de lesiones personales como resultado de quedar atrapados en las piezas móviles.
- c. Evite que se encienda accidentalmente. Asegúrese de que el interruptor esté en la posición de apagado antes de conectar el suministro de aire. No lleve la herramienta con su dedo sobre el interruptor ni conecte la herramienta al suministro de aire con el interruptor en la posición de encendido.
- d. No intente alcanzar lugares alejados. Mantenga un buen soporte y equilibrio en todo momento.
- e. Use equipo de seguridad. Se debe usar una máscara para polvo, calzado de seguridad antideslizante y casco para las condiciones que se apliquen.
- f. Siempre use protección para los ojos. 
- g. Use siempre una protección para el oído cuando use la herramienta. La exposición prolongada a ruido de alta intensidad puede causar pérdida de audición. 
- h. No ate la manguera ni la herramienta a su cuerpo. Adjunte la manguera a la estructura para reducir el riesgo de pérdida de equilibrio si la manguera se cambia de posición.
- i. Siempre asuma que la herramienta contiene clavos. No apunte con la herramienta hacia usted o hacia otra persona, ya sea que contenga clavos o no.
- j. **▲ ADVERTENCIA** No clave ningún clavo encima de otro clavo. Esto puede hacer que el clavo se desvíe y golpee a alguien, o provocar que la herramienta reaccione y cause el riesgo de lesiones personales.
- k. **▲ ADVERTENCIA** Quite el dedo del gatillo cuando no esté clavando clavos. Nunca lleve la herramienta con su dedo en el gatillo: la herramienta puede disparar un clavo.

Componentes y Especificaciones de la Herramienta

- **REQUIERE:** 0,01 m³/min con 10 sujetadores por minuto a 6,21 bar
- **ENTRADA DE AIRE:** 6,4mm (1/4 inch) NPT
- **CAPACIDAD DEL CARGADOR:** 100 sujetadores por carga, calibre 18
- **PUNTILLAS:** 9,5 mm a 5,08 cm (3/8 inch - 2 inch)
- **GRAPAS:** 12,7 mm a 3,81 cm (1/2 inch - 1-1/2 inch); 6,4 mm (1/4 inch) de ancho
- **PESO:** 1,19 kg (2 lb, 10 oz)
- **LONGITUD:** 26,67 cm (10-1/2 inches)
- **ALTURA:** 24,77 cm (9-3/4 inches)
- **PRESION MÁXIMA:** 8,27 bar
- **RANGO DE LA PRESIÓN:** 4,14 bar a 8,27 bar



Instrucciones de Seguridad Importantes (Cont.)

▲ PELIGRO Siempre colóquese en una posición firme y balanceada para usar o manipular la herramienta.

▲ PRECAUCION Evite trabajar con esta herramienta por largos periodos. Deje de usar la herramienta si siente dolor en las manos o en los brazos.

USO Y CUIDADO DE LA HERRAMIENTA

- Use sujetadores u otra manera práctica de asegurar y apoyar la pieza de trabajo a una plataforma estable. Sostener el trabajo con la mano o contra el cuerpo es algo inestable y puede producir la pérdida de control.
- No fuerce la herramienta. Use la herramienta correcta para la aplicación. La herramienta correcta hará el trabajo mejor y en forma más segura a la velocidad para la cual fue diseñada.
- No use la herramienta si el interruptor no la enciende o no la apaga. Cualquier herramienta que no pueda ser controlada con el interruptor es peligrosa y debe repararse.
- ▲ ADVERTENCIA** Desconecte la herramienta del suministro de aire antes de hacer cualquier ajuste, realizar el mantenimiento de la herramienta, eliminar obstrucciones, dejar el área de trabajo, cargar o descargar la herramienta. Estas medidas de precaución reducen el riesgo de lesiones personales.
- Cuando no esté en uso, guarde la herramienta fuera del alcance de los niños y otras personas no capacitadas. Una herramienta es peligrosa cuando está en manos de usuarios inexpertos.
- Cuide su herramienta. Mantenga una herramienta para cortar afilada y limpia. Una herramienta mantenida adecuadamente con bordes de corte afilados reduce el riesgo de atascarse y es más fácil de controlar.
- Verifique que las piezas móviles no estén desaliñadas ni adheridas, que no haya piezas rotas y que no exista ningún otro problema que afecten el funcionamiento de la herramienta. Si está dañada, haga que le realicen un servicio a la herramienta antes de usarla. Muchos accidentes son causados por herramientas que no tienen un mantenimiento adecuado. Si la herramienta sufre un daño, hay riesgo de explosión.

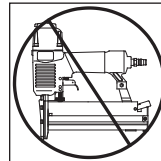
- Use únicamente los clavos detallados en la sección Accesorios de este manual. Los sujetadores no identificados por el fabricante de la herramienta para uso con esta herramienta pueden provocar riesgos de lesiones personales o daño a la herramienta al usarse con esta herramienta.

- Seleccionar un sistema de activación de la herramienta adecuado, tomando en cuenta la aplicación de trabajo para la cual se usa la herramienta.

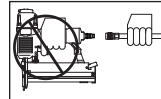
▲ PELIGRO Nunca limpie la herramienta con gasolina o ningún otro líquido inflamable. Nunca use la herramienta en la cercanías de líquidos o gases inflamables. Una chispa podría encender los vapores y ocasionar una explosión que podría ocasionarle la muerte o heridas graves.



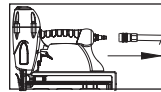
▲ PELIGRO No quite, modifique ni cause de otro modo que la traba del gatillo deje de funcionar. No haga funcionar ninguna herramienta que haya sido modificada de manera similar. Eso puede resultar en muerte o graves lesiones personales.



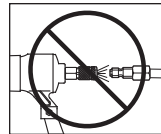
▲ PELIGRO No toque el gatillo a menos que se estén clavando sujetadores. Nunca conecte la línea de aire a la herramienta ni mueva la herramienta cuando esté tocando el gatillo. La herramienta podría expulsar un sujetador y producir la muerte o lesiones personales graves. También coloque el protector del gatillo en la posición de seguro cuando no esté en uso.



▲ ADVERTENCIA Desconecte siempre la herramienta de la fuente de energía cuando no la esté atendiendo, cuando le esté realizando mantenimiento o reparaciones, desobstruyéndola o moviéndola a un nuevo sitio. No cargue la herramienta con sujetadores cuando el gatillo esté oprimido. La herramienta puede expulsar un sujetador y producir la muerte o lesiones personales graves.



▲ ADVERTENCIA Siempre ajuste la herramienta con un conector o acoplador de mangueras colocado en o cerca de la herramienta de un modo tal que se descargue todo el aire comprimido en la herramienta en el momento en que se desconecte el conector o acoplador. No use una válvula de chequeo o ninguna conexión que permita que el aire permanezca en la herramienta. Se puede producir la muerte o lesiones personales graves.



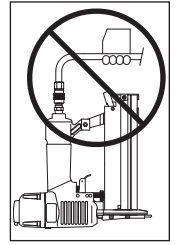
▲ ADVERTENCIA

Nunca ponga las manos ni ninguna otra parte del cuerpo en el área de descarga de la herramienta. Ésta puede expulsar un sujetador y producir la muerte o lesiones personales graves.



▲ ADVERTENCIA

Nunca cargue la herramienta por la manguera de aire ni hale la manguera para mover la herramienta o el compresor de aire. Mantenga las mangueras alejadas del calor, aceite y objetos puntiagudos. Reemplace cualquier manguera que esté dañada, débil o desgastada. Ésto podría ocasionar heridas o daños a la herramienta.

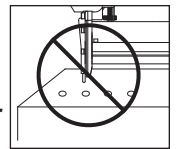


▲ ADVERTENCIA

Siempre asuma que la herramienta tiene sujetadores. Respete la herramienta como un implemento de trabajo; no juegue con ella. Siempre mantenga a los demás a una distancia segura del área de trabajo, en caso de una descarga accidental de sujetadores. No apunte con la herramienta hacia usted o hacia otra persona, ya sea que contenga o no sujetadores. El disparo accidental de la herramienta podría resultar en la muerte o en graves lesiones personales.

▲ ADVERTENCIA

No clave un sujetador encima de otro. El sujetador podría saltar y ocasionarle la muerte o heridas graves.



▲ ADVERTENCIA

No opere la herramienta ni permita que otros la operen si las etiquetas de advertencia están ilegibles. Éstas se encuentran en el cargador o el cuerpo de la herramienta.



▲ ADVERTENCIA No deje que la herramienta se caiga ni la tire. Ésto podría dañarla o convertirla en algo peligroso de usar. En caso de que la herramienta se haya caído o la hayan tirado, revisela con cuidado a ver si está doblada o rota, si tiene alguna pieza dañada o tiene fugas de aire. DEJE de trabajar y repárela antes de usarla o podría ocasionarle heridas graves.

AVISO

Evite usar la herramienta cuando el depósito está vacío. Ésto podría acelerar su desgaste.

AVISO

Limpie y chequee todas las mangueras de suministro de aire y conexiones antes de conectar la herramienta al compresor. Reemplace las mangueras y conexiones que estén dañadas o desgastadas. El rendimiento de la herramienta o su durabilidad podrían reducirse.

Instrucciones de seguridad importantes (Cont.)

SERVICIO

- El servicio de la herramienta debe ser realizado sólo por personal de reparaciones calificado.
- Al realizarle un servicio a la herramienta, utilice únicamente piezas de repuesto idénticas. Use sólo piezas autorizadas.
- Use sólo los lubricantes que el fabricante proporciona con la herramienta.

⚠ PRECAUCION *No haga ninguna modificación a la herramienta sin obtener primero la aprobación por escrito de Campbell Hausfeld. No use la herramienta si le faltan alguna de las tapas protectoras o si éstas han sido modificadas. No use la herramienta como un martillo. Se pueden producir lesiones personales o daños a la herramienta.*

⚠ PRECAUCION *Desconecte la fuente de suministro de aire y elimine la tensión del disparador antes de tratar de sacar cualquier sujetador atascado, ya que la herramienta podría disparar un sujetador por el frente. Esto podría ocasionarle heridas.*

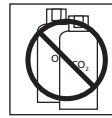
SUMINISTRO DE AIRE

- Nunca conecte a un suministro de aire capaz de exceder las 13,79 bar. Someter la herramienta a presión excesiva puede resultar en una explosión, funcionamiento anormal, daños a la herramienta o graves lesiones personales. Use sólo aire comprimido limpio, seco y regulado a la presión de funcionamiento o dentro del rango de presiones indicado en la herramienta. Antes de usar la herramienta, verifique siempre que el suministro de aire haya sido regulado a la presión de funcionamiento o esté dentro del rango de presiones indicadas.

- No use nunca oxígeno, dióxido de carbono, gases combustibles o ningún gas en botellas como suministro de aire para la herramienta. Tales gases pueden explotar y causar graves lesiones personales.

⚠ PELIGRO

No use ningún tipo de gas reactivo, incluyendo, pero no limitado a, oxígeno y gases combustibles, como fuente de energía. Use sólo aire comprimido filtrado, lubricado y regulado. El uso de un gas reactivo en vez de aire comprimido puede provocar que la herramienta explote, lo cual puede ocasionar la muerte o graves lesiones personales.



⚠ PELIGRO

Use solamente una fuente de aire comprimido de presión regulada para limitar la presión de aire suministrada a la herramienta. La presión regulada no debe exceder los 8,27 bar. Si el regulador falla, la presión transmitida a la herramienta no debe exceder los 13,79 bar. La herramienta puede explotar, lo cual puede ocasionar la muerte o graves lesiones personales.



GUARDE ESTAS INSTRUCCIONES – NO LAS DESECHE

Instrucciones de Funcionamiento

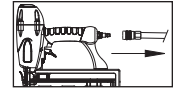
LUBRICACION

Esta herramienta requiere lubricación antes de usarse por primera vez y antes de cada uso. Si utiliza un lubricador incorporado a la línea, **no tendrá** que lubricarla manualmente a diario.

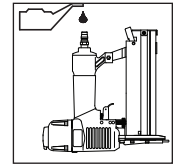
AVISO

La superficie de trabajo se podría dañar debido a la lubricación excesiva. La lubricación adecuada es la responsabilidad del propietario. Si no lubrica la herramienta adecuadamente, ésta se dañará rápidamente y la garantía se cancelaría.

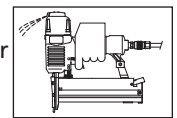
- Desconecte la herramienta de la fuente de suministro de aire para lubricarla.



- Gire la herramienta de modo que la entrada de aire quede mirando hacia arriba. Agregue de 4 a 5 gotas de aceite no detergente 30W en la entrada de aire. No use aceites detergentes, aditivos de aceite, ni aceites para herramientas neumáticas. Los aceites para herramientas neumáticas contienen solventes que pueden averiar los componentes internos de la herramienta.



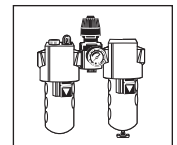
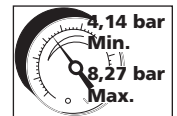
- Después de agregar aceite, haga funcionar la herramienta brevemente. Limpie todo exceso de aceite que salga del escape de la tapa.



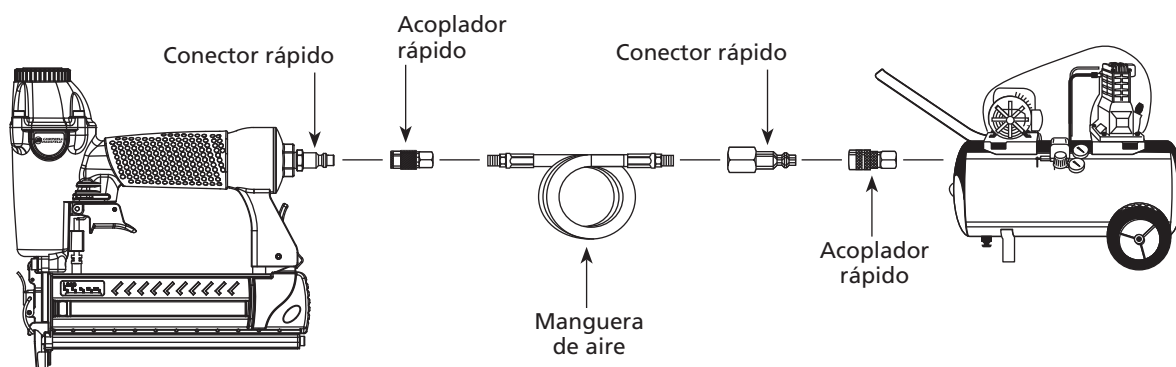
CONEXION RECOMENDADA

La ilustración de abajo le muestra la conexión recomendada para la herramienta.

- El compresor de aire debe tener la capacidad de suministrar un mínimo de 4,14 bar cuando la herramienta esté en uso. Si el suministro de aire es inadecuado podría haber pérdida de potencia y falta de consistencia en el funcionamiento.
- Puede utilizar un lubricador para lubricar la herramienta. Igualmente, puede utilizar un filtro para remover las impurezas líquidas y sólidas que podrían oxidar u obstruir las partes internas de la herramienta.

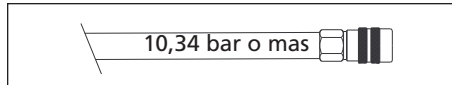


Conexión mínima recomendada



Instrucciones de Funcionamiento (Cont.)

3. Use siempre mangueras de suministro de aire con una presión mínima de funcionamiento con clasificación igual o mayor que la presión de la fuente de energía si falla un regulador, o 10,34 bar, lo que sea mayor. Use mangueras de aire de 6,4 mm (1/4 inch) para distancias de hasta 15 m (50 feet). Use mangueras de aire de 9,5 mm (3/8 inch) para distancias de hasta 15 m (50 feet) o más.



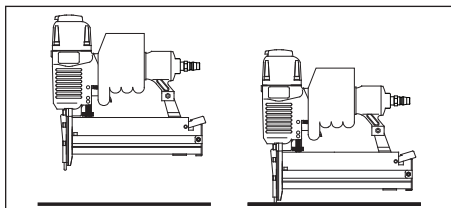
4. Use un regulador de presión (de 0 bar - 8,62 bar) en el compresor. Se necesita un regulador de presión para controlar la presión de operación de la herramienta entre 4,14 bar y 8,27 bar.

MODEO DE OPERACIÓN - CICLO SENCILLO

▲ ADVERTENCIA Siempre cerciórese de saber en qué modo va a operar la herramienta antes de comenzar a usarla. De lo contrario, le podría ocasionar la muerte o heridas graves.

Esta herramienta es un dispositivo de acción singular. Este modo requiere que, cuando la traba del gatillo no está colocada en la posición de seguro, sólo un jalón del gatillo puede disparar un sujetador.

Después de comprobar de que no hayan sujetadores en la herramienta, verifique la seguridad del funcionamiento de la traba del gatillo activada, para prevenir que la herramienta dispare un sujetador antes de guardarla. Desconecte siempre la herramienta del aire comprimido cuando no esté en uso.

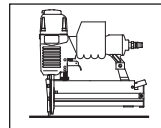
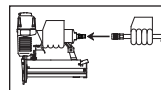
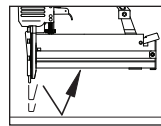
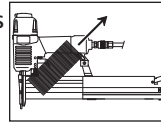
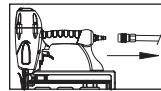


ELEMENTO DE CONTACTO

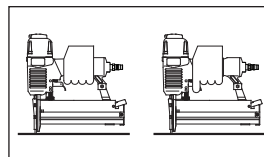
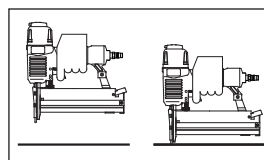
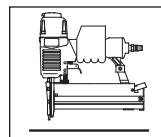
▲ PRECAUCIÓN Cheque el funcionamiento del mecanismo del elemento de contacto antes de cada uso. El elemento de contacto se debe desplazar libremente, sin pegarse, a lo largo del área de desplazamiento. El resorte del elemento de contacto debe regresar el elemento de contacto a su posición original

totalmente extendido. No use la clavadora si el mecanismo del elemento de contacto no está funcionando adecuadamente. Podría ocasionarle heridas.

1. Desconecte la clavadora de la fuente de suministro de aire.
2. Saque todos los clavos del cargador (Vea la Sección Carga-Descarga).
3. Cerciórese de que el gatillo y el elemento de contacto se muevan libremente en ambos sentidos sin atascarse o pegarse.
4. Reconecte la clavadora a la fuente de suministro de aire.
5. Presione el Elemento de Contacto de Trabajo contra la superficie de trabajo sin apretar el gatillo.

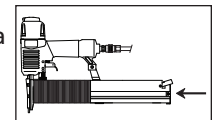
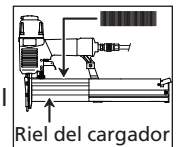
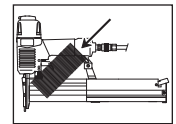
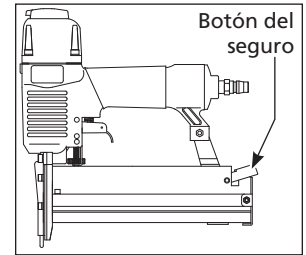


- La clavadora **NO DEBE OPERAR**. No use la herramienta si opera sin apretar el gatillo. Se pueden producir lesiones personales.
6. Remueva la clavadora de la superficie de trabajo. El Elemento de Contacto de Trabajo tiene que volver a su posición original. La clavadora **NO DEBE OPERAR**. No use la herramienta si opera mientras está levantada de la superficie de trabajo.
 7. Apriete el gatillo y presione el Elemento de Contacto de Trabajo contra la superficie de trabajo. La clavadora **NO DEBE** hacerse funcionar.
 8. Presione el Elemento de Contacto de Trabajo contra la superficie de trabajo. Apriete el gatillo. La clavadora **DEBE OPERAR**.



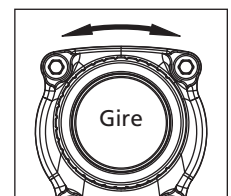
PARA CARGAR Y DESCARGAR LA HERRAMIENTA

1. Siempre desconecte la herramienta del suministro de aire antes de cargar los sujetadores.
2. Empuje hacia abajo sobre el botón del seguro. Mueva la tapa del cargador hacia atrás.
- 3a. Para clavos, coloque una serie de clavos Campbell Hausfeld o equivalentes (Vea la sección de sujetadores) en el cargador. Cerciórese de que los extremos puntiagudos de los clavos estén hacia la parte inferior del cargador. Cerciórese de que los clavos no estén sucios ni dañados.
- 3b. Para grapas, cargue una tira de grapas con las coronas montadas sobre el riel del cargador.
4. Empuje la tapa del cargador hacia delante hasta que el botón del seguro salte hacia arriba.
5. Siempre descargue el sujetador antes de remover la herramienta de servicio. La descarga es lo opuesto a la carga, excepto que debe desconectar el suministro de aire antes de realizar la descarga.



PARA AJUSTAR LA DIRECCION DEL TUBO DE ESCAPE

Esta herramienta está equipada con un deflector ajustable de la dirección del tubo de escape. Éste le permite al usuario cambiar la dirección del tubo de escape. Simplemente mueva el deflector hacia la dirección deseada.

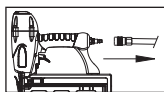


▲ ADVERTENCIA Una herramienta que funciona de manera inadecuada no debe usarse. No active la herramienta a menos que esté colocada firmemente contra la pieza de trabajo.

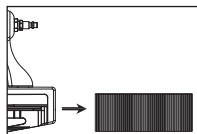
INSTRUCCIONES DE USO Y MANTENIMIENTO

CÓMO DESOBTURAR LA HERRAMIENTA

1. Desconecte la herramienta de la fuente de suministro de aire.

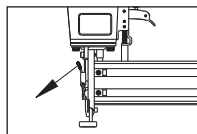


2. Retire todas las puntillas del cargador (vea "Carga/Descarga de la Clavadora").

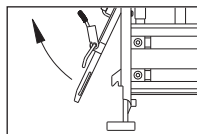


El no hacerlo hará que los clavos se descarguen por el frente de la clavadora.

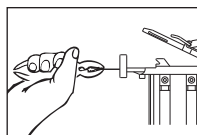
3. Retire el seguro tirando hacia afuera y hacia abajo. El alambre de seguro se destrabará de los ganchos de la punta.



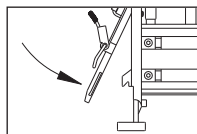
4. Ahora se puede girar la puerta, dejando al descubierto el sujetador que está trabado.



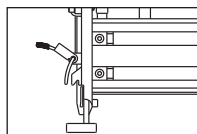
5. Retire el sujetador trabado, con unas pinzas o un destornillador si fuera necesario.



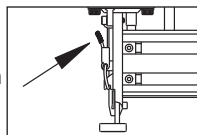
6. Vuelva a girar la puerta a su posición de cerrado.



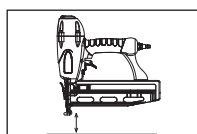
7. Extienda el alambre de seguro y colóquelo sobre los ganchos de la boquilla.



8. Cierre el seguro tirando del mismo hacia arriba y hasta que el seguro calce en su lugar.



9. Asegúrese de que el gatillo y el elemento de contacto de trabajo (WCE) se muevan



libremente hacia arriba y hacia abajo sin adherirse ni trabarse.

SERVICIO TÉCNICO

Para mayor información en relación al funcionamiento o reparación de este producto, comuníquese con el concesionario de Campbell Hausfeld más cercano a su domicilio.

SUJETADOR Y PIEZAS DE REPUESTO

⚠ ADVERTENCIA

Use solamente sujetadores

Campbell Hausfeld originales calibre 18 (o su equivalente) - (vea la información sobre intercambio de sujetadores).

El desempeño de las herramientas, la seguridad y la duración pueden disminuir si no se utilizan los sujetadores adecuados. Cuando ordene piezas de repuesto o sujetadores, especifique el número de la pieza.

PARA REPARAR LA HERRAMIENTA

La herramienta deberá ser reparada únicamente por personal calificado, y deberán usar piezas de repuesto y accesorios originales Campbell Hausfeld, o piezas y accesorios que funcionen de manera equivalente.

PARA COLOCARLE LOS SELLOS

Cada vez que repare una herramienta deberá limpiarle y lubricarle las partes internas. Le recomendamos que use Parker O-lube o un lubricante equivalente en todos los anillos en O. A cada anillo en O se le debe dar un baño de lubricante para anillos antes de instalarlos. Igualmente, deberá ponerle un poco de aceite a todas las piezas que se mueven y muñones. Finalmente, después de haberla ensamblado y antes de probar la herramienta deberá ponerle unas cuantas gotas de aceite sin detergente 30W u otro aceite similar, en las líneas de aire.

ALMACENAMIENTO

La herramienta debe guardarse en un lugar fresco y seco.

Sujetadores

PUNTILLAS

Estos clavos para acabado de Campbell Hausfeld los puede comprar en su tienda más cercana. Si necesita ayuda para encontrar un artículo, comuníquese al 1-800-543-6400. Los clavos de Campbell Hausfeld cumplen o exceden el estándar ASTM F1667.

Modelo	Longitud	Calibre del Cuerpo	Acabado	Cabeza	Unión	Clavos por Línea	Clavos por Caja
FB180016	15,9 mm (5/8 inch)	18	Galvanisé	Étêtée / Brun	Adhésive	100	1000
FB180025	2,54 cm (1 inch)	18	Galvanisé	Étêtée / Brun	Adhésive	100	1000
FB180030	3,18 cm (1-1/4 inch)	18	Galvanisé	Étêtée / Brun	Adhésive	100	1000
FB180040	3,81 cm (1-1/2 inch)	18	Galvanisé	Étêtée / Brun	Adhésive	100	1000
FB180050	5,08 cm (2 inch)	18	Galvanisé	Étêtée / Brun	Adhésive	100	1000

INFORMATION D'INTERCHANGEABILITÉ

Esta herramienta sirve para la mayoría de las marcas de puntillas unidas con las siguientes especificaciones:

- Calibre 18
- Largo: 0,95 cm (3/8 pulg.) a 5,08 cm (2 pulg.)

GRAPAS CORONA

Estas grapas para acabado de Campbell Hausfeld los puede comprar en su tienda más cercana. Si necesita ayuda para encontrar un artículo, comuníquese al 1-800-543-6400. Las grapas de Campbell Hausfeld cumplen o exceden el estándar ASTM F1667.

Modelo	Longitud	Calibre de la Grapa	Corona	Punta	Acabado	Unión	Grapas por Línea	Grapas por Caja
FN180615	12,7 mm (1/2 inch)	18	6,4 mm (1/4 inch)	Burin	Galvanisé / Enduit de Vinyle	Adhésive	100	1000
FN180620	19,1 mm (3/4 inch)	18	6,4 mm (1/4 inch)	Burin	Galvanisé / Enduit de Vinyle	Adhésive	100	1000
FN180625	2,54 cm (1 inch)	18	6,4 mm (1/4 inch)	Burin	Galvanisé / Enduit de Vinyle	Adhésive	100	1000
FN180630	3,18 cm (1-1/4 inch)	18	6,4 mm (1/4 inch)	Burin	Galvanisé / Enduit de Vinyle	Adhésive	100	1000

INFORMATION D'INTERCHANGEABILITÉ

Esta herramienta sirve para la mayoría de las marcas de grapas unidas con la siguientes especificaciones:

- Calibre 18
- Largo: 1,27 cm (1/2 pulg.) a 3,81 cm (1-1/2 pulg.)
- Tamaño de la corona: 0,64 cm (1/4 pulg.)

Guía de Diagnóstico de Averías

⚠ ADVERTENCIA *Deje de usar la grapadora inmediatamente si alguno de los siguientes problemas ocurre. Podría ocasionarle heridas graves. Cualquier reparación o reemplazo de piezas los debe hacer un técnico calificado personal de un centro autorizado de servicio.*

Problema	Causa	Solución
Hay una fuga de aire en el área de la válvula del gatillo.	Los anillos en O de la cubierta de la válvula del gatillo están dañados.	Debe reemplazar los anillos en O
Hay una fuga de aire entre la cubierta y la boquilla.	<ol style="list-style-type: none"> 1. Los tornillos de la cubierta están flojos 2. Los anillos en O están dañados. 3. La defensa está dañada. 	<ol style="list-style-type: none"> 1. Debe apretar los tornillos 2. Debe reemplazar los anillos en O. 3. Debe reemplazar la defensa.
Hay una fuga de aire entre la cubierta y la tapa.	<ol style="list-style-type: none"> 1. Los tornillos están flojos. 2. El sello está dañado 	<ol style="list-style-type: none"> 1. Debe apretar los tornillos. 2. Reemplace el sello
La herramienta deja de clavar un sujetador	<ol style="list-style-type: none"> 1. La defensa está desgastada. 2. La boquilla está sucia. 3. La suciedad o daños evitan el desplazamiento libre de los sujetadores o el mecanismo de impulso en el cargador 4. El resorte del mecanismo de impulso está dañado. 5. El flujo de aire hacia la herramienta es inadecuado 6. El anillo en O del pistón está desgastado o le falta lubricación. 7. Los anillos en O de la válvula del gatillo están dañados. 8. Hay fugas de aire. 9. El sello de la tapa tiene pérdidas 	<ol style="list-style-type: none"> 1. Debe reemplazar la defensa. 2. Debe limpiar el canal del sistema de impulso. 3. Debe limpiar el cargador. 4. Debe reemplazar el resorte. 5. Chequee las conexiones, la manguera o el compresor. 6. Debe reemplazar los anillos en O. Lubríquelos. 7. Debe reemplazar los anillos en O. 8. Debe apretar los tornillos y las conexiones. 9. Reemplace el sello
La herramienta funciona lentamente o pierde potencia	<ol style="list-style-type: none"> 1. La herramienta no está bien lubricada 2. El resorte de la tapa del cilindro está roto 3. El orificio de salida de la tapa está obstruido. 	<ol style="list-style-type: none"> 1. Necesita lubricar la clavadora 2. Reemplace el resorte 3. Debe reemplazar las partes internas dañadas.
Hay sujetadores atascados en la herramienta	<ol style="list-style-type: none"> 1. La guía del mecanismo de impulso está desgastada 2. Los sujetadores no son del tamaño adecuado 3. Los sujetadores están doblados 4. Los tornillos del cargador o de la boquilla están flojos. 5. El mecanismo de impulso está dañado. 	<ol style="list-style-type: none"> 1. Debe reemplazar la guía 2. Debe usar sólo los sujetadores recomendados para esta herramienta 3. Reemplácelos con sujetadores en buenas condiciones 4. Debe apretar los tornillos. 5. Debe reemplazar el mecanismo de impulso de grapas.

Garantía Limitada

- 1 DURACION: A partir de la fecha de compra por el comprador original tal como se especifica a continuación: Un (1) año.
 - 2 QUIEN OTORGA ESTA GARANTIA (EL GARANTE: Campbell Hausfeld / The Scott Fetzer Company 100 Production Drive, Harrison, Ohio 45030 Teléfono: (800) 543-6400
 - 3 QUIEN RECIBE ESTA GARANTIA (EL COMPRADOR): El comprador original (que no sea un revendedor) del producto Campbell Hausfeld.
 - 4 PRODUCTOS CUBIERTOS POR ESTA GARANTIA: Esta clavadora o grapadora Campbell Hausfeld.
 - 5 COBERTURA DE LA GARANTIA: Defectos importantes en los materiales y la mano de obra que ocurran durante la duración del período de garantía con las excepciones que se mencionan a continuación.
 - 6 LO QUE NO ESTA CUBIERTO POR ESTA GARANTIA:
 - A. Las garantías implícitas, incluyendo aquellas de comercialidad E IDONEIDAD PARA FINES PARTICULARES, ESTAN LIMITADOS A LO ESPECIFICADO EN EL PARRAFO DE DURACION. Si este producto es empleado para uso comercial, industrial o para renta, la garantía será aplicable por noventa (90) días a partir de la fecha de compra. En algunos estados no se permiten limitaciones a la duración de las garantías implícitas, por lo tanto, en tales casos esta limitación no es aplicable.
 - B. CUALQUIER PERDIDA DAÑO INCIDENTAL, INDIRECTO O CONSECUENTE QUE PUEDA RESULTAR DE UN DEFECTO, FALLA O MALFUNCIONAMIENTO DEL PRODUCTO CAMPBELL HAUSFELD. En algunos estados no se permite la exclusión o limitación de daños incidentales o consecuentes, por lo tanto, en tales casos esta limitación o exclusión no es aplicable.
 - C. Cualquier falla que resulte de un accidente, abuso, negligencia o incumplimiento de las instrucciones de funcionamiento y uso indicadas en el (los) manual(es) que se adjunta(n) al producto. Dichos accidentes, abusos por parte del comprador, o falta de operar el producto siguiendo las instrucciones del manual de instrucciones suministrado también debe incluir la desconexión o modificación de los instrumentos de seguridad. Si dichos instrumentos de seguridad son desconectados, la garantía quedaría cancelada.
 - D. Los ajustes normales explicados en el(los) manual(es) suministrado(s) con el producto.
 - E. Los artículos o servicios que son necesarios normalmente para mantener el producto, p. ej. anillos en O, resortes, paragolpes, protector contra escombros, hojas de impulsión, juntas, empaquetaduras o sellos, lubricantes o cualquier otra pieza fungible o no mencionada específicamente. Estos artículos solamente estarán cubiertos durante 90 (noventa) días a partir de la fecha de compra original. Los artículos subrayados están garantizados por defectos en el material y la mano de obra únicamente.
 7. RESPONSABILIDADES DEL GARANTE BAJO ESTA GARANTIA:

Según elija el Garante, la reparación o el reemplazo del producto o los componentes que estén defectuosos, que hayan funcionado en forma inadecuada y/o que no hayan cumplido con su función dentro de la duración del período específico de la garantía.
 8. RESPONSABILIDADES DEL COMPRADOR BAJO ESTA GARANTIA:
 - A. Suministrar prueba fechada de compra y la historia de mantenimiento del producto.
 - B. Llame a Campbell Hausfeld (800) 543-6400 por sus opciones de servicio incluidas en la garantía. Los costos de flete correrán por cuenta del comprador.
 - C. Seguir las instrucciones sobre operación y mantenimiento del producto, tal como se indica(n) en el (los) manual(es) del propietario.
 9. CUANDO EFECTUARA EL GARANTE LA REPARACION O REEMPLAZO CUBIERTO BAJO ESTA GARANTIA: La reparación o reemplazo dependerá del flujo normal de trabajo del centro de servicio y de la disponibilidad de repuestos.
- Esta garantía limitada es válida sólo en los EE.UU., Canadá y México y otorga derechos legales específicos. Usted también puede tener otros derechos que varían de un Estado a otro. o de un país a otro.

