

Please read and save these instructions. Read carefully before attempting to assemble, install, operate or maintain the product described. Protect yourself and others by observing all safety information. Failure to comply with instructions could result in personal injury and/or property damage! Retain instructions for future reference.



Wire Feed Arc Welder



Description

The Campbell Hausfeld WF1800, WF1900 and WF2000 are 70 amp, single phase 115 volt input, wire feed arc welding machines. The WF2000 is equipped with infinite wire speed control to accurately select the proper wire feed rate needed for various welding conditions. Internal components are thermostatically protected.

This welding system is designed for use with the Flux Core Arc Welding (FCAW) process. As delivered from the factory, this welder can weld with .030" (.8 mm) or .035" (.9 mm) diameter flux-cored wire. A starter spool of wire is included.

POLARITY

Welders are configured for DCEN, direct current electrode negative.

DUTY CYCLE / THERMOSTATIC PROTECTION

Welder duty cycle is the percentage of actual weld time that can occur in a ten minute interval. For example, at a 10% duty cycle, actual welding can occur for one minute, then the welder must cool for nine minutes.

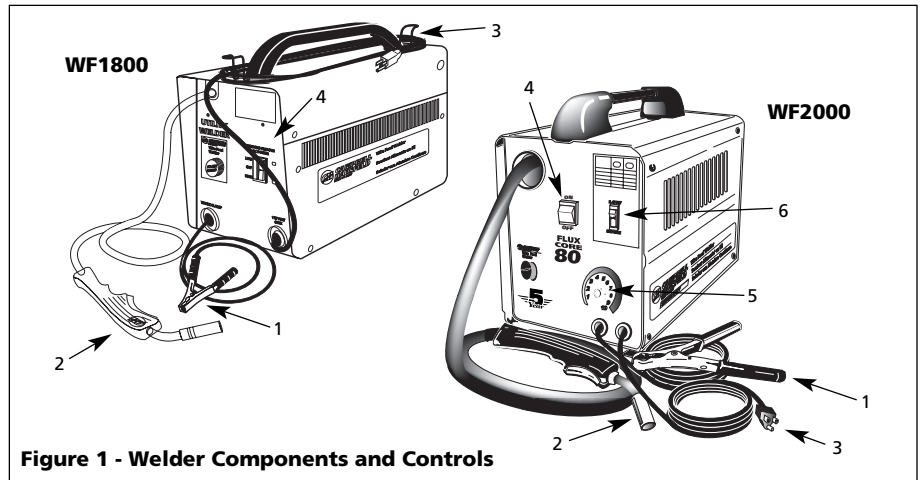
Internal components of this welder are protected from overheating with an automatic thermal switch. **A yellow lamp is illuminated on the front panel (on/off switch) if the duty cycle is exceeded.** Welding operations may continue when the yellow lamp is no longer illuminated.

MIG CONVERSION

The WF1800 and WF1900 are **NOT** convertible to MIG gas usage. Call 1-800-746-5641 to purchase conversion kit (WT600400AJ) for WF2000.

Unpacking

All welding accessories for the welder are inside the wire feed compartment. Lift and/or remove



wire feed cover to find handle, workclamp, etc. When unpacking, inspect carefully for any damage that may have occurred during transit. Make sure any loose fittings and screws, etc. are tightened before putting unit into service.

Circuit Requirements

CAUTION This equipment requires a dedicated 115 volt circuit. Refer to the following chart for the correct circuit breaker or fuse rating. Do not run other appliances, lights, or tools on this circuit while operating this equipment. Extension cords are not recommended. Blown fuses and tripped circuit breakers can result from failure to comply with this recommendation.

Heat Selector	Circuit Breaker or Slow Blow Fuse
Low	15 amp
High	20 amp

See page 6 for supply cable replacement instructions.

Components and Controls

WF1800/WF1900

1. Work Clamp - connect to work piece.
2. Wire Feed Gun with .035" tip.
3. Power Cord - plug into 115 volt outlet.
4. Low/Off/High Switch - set according to metal thickness. Automatically controls wire speed. Lights if thermostat has automatically shut unit off.

WF2000

1. Work Clamp - connect to work piece.
2. Wire Feed Gun with .035" tip.
3. Power Cord - plug into 115 volt outlet.
4. On/Off Switch - lights if thermostat has automatically shut unit off.
5. Infinite Wire Speed Control - turn clockwise to increase wire speed and counterclockwise to decrease wire speed.
6. Heat Selector - Selects welding power. Two selections are possible; low and high.

General Safety

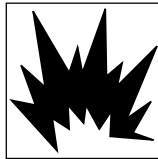
⚠ DANGER *Danger means a hazard that will cause death or serious injury if the warning is ignored.*

⚠ WARNING *Warning means a hazard that could cause death or serious injury if the warning is ignored.*

⚠ CAUTION *Caution means a hazard that may cause minor or moderate injury if the warning is ignored. It also may mean a hazard that will only cause damage to property.*

NOTE: Note means any additional information pertaining to the product or its proper usage.

⚠ WARNING
Always keep a fire extinguisher accessible while performing arc welding operations.



- Before starting or servicing any electric arc welder, read and understand all instructions. Failure to follow safety precautions or instructions can cause equipment damage and/or serious personal injury or death.
- All installation, maintenance, repair and operation of this equipment should be performed by qualified persons only in accordance with national, state, and local codes.

⚠ WARNING
Improper use of electric arc welders can cause electric shock, injury, and death! Take all precautions described in this manual to reduce the possibility of electric shock.



- Verify that all components of the arc welder are clean and in good condition prior to operating the welder. Be sure that the insulation on all cables, wire feed gun, and power cords is not damaged. Always repair or replace damaged components before operating the welder. Always keep welder panels, shields, etc. in place when operating the welder.
- Always wear dry, protective clothing and welding gloves, and insulated footwear.
- Always operate the welder in a clean, dry, well ventilated area. Do not operate the welder in humid, wet, rainy, or poorly ventilated areas.
- Be sure that the work piece is

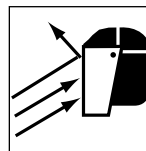
properly supported and grounded prior to beginning any electric arc welding operation.

- Coiled welding cable should be spread out before use to avoid overheating and damage to insulation.

⚠ DANGER *Never immerse the wire or wire feed gun in water. If the welder becomes wet for any reason, be absolutely certain that it is completely clean and dry prior to attempting use!*

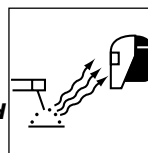
- Always shut the equipment off and unplug the power prior to moving the unit.
- Always attach the work lead first.
- Verify that the work piece is securely grounded.
- Always shut off electric arc welding equipment when not in use and cut off any excess wire from the wire feed gun.
- Never allow any part of the body to touch the flux core wire and ground or grounded work piece at the same time.
- Awkward welding conditions and positions can be electrically hazardous. When crouching, kneeling or at elevations, be sure to insulate all conductive parts, wear appropriate protective clothing, and take precautions to prevent injury from falls.
- Never attempt to use this equipment at current settings or duty cycles higher than those specified on the equipment labels.
- Never use an electric arc welder to thaw frozen pipes.

⚠ WARNING
Flying sparks and hot metal can cause injury. As welds cool, slag can be thrown off. Take all precautions described in this manual to reduce the possibility of injury from flying sparks and hot metal.



- Wear ANSI approved face shield or safety glasses with side shield protection when chipping or grinding metal parts.
- Wear ear plugs when welding overhead to prevent spatter or slag from falling into ears.

⚠ WARNING
Electric arc welding operations produce intense light and heat and ultraviolet (UV) rays. This intense light and UV rays can cause injury to eyes and skin. Take



all precautions described in this manual to reduce the possibility of injury to eyes and skin.

- All persons operating this equipment or in the area while equipment is in use must wear protective welding gear including: welding helmet or shield with at least shade 10 lens, flame resistant clothing, leather welding gloves, and full foot protection.

⚠ CAUTION *The welding wire is live whenever the welder is turned on - whether the trigger is pulled or not.*

⚠ WARNING *Never look at arc welding operations without eye protection as described above. Never use a shade filter lens that is cracked, broken, or rated below number 10. Warn others in the area not to look at the arc.*

⚠ WARNING

Electric arc welding operations cause sparks and heat metal to temperatures that can cause severe burns! Use protective gloves and clothing when performing any metal working operation. Take all precautions described in this manual to reduce the possibility of skin and clothing burns.



- Make sure that all persons in the welding area are protected from heat, sparks, and ultraviolet rays. Use additional face shields and flame resistant barriers as needed.
- Never touch work pieces until completely cooled.

⚠ WARNING

Heat and sparks produced during electric arc welding and other metal working operations can ignite flammable and explosive materials! Take all precautions described in this manual to reduce the possibility of flames and explosions.

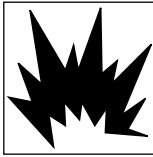


- Remove all flammable materials within 35 feet (10.7 meters) of welding arc. If removal is not possible, tightly cover flammable materials with fire proof covers.
- Do not operate any electric arc welder in areas where flammable or explosive vapors may be present.
- Take precautions to be sure that flying sparks and heat do not cause flames in hidden areas, cracks, etc.

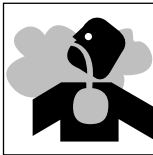
⚠ WARNING *Fire hazard! Do not weld on containers or pipes that contain or have contained flammable materials or gaseous or liquid combustibles.*

General Safety (Continued)

⚠WARNING Arc welding closed cylinders or containers such as tanks or drums can cause explosion if not properly vented! Verify that any cylinder or container to be welded has an adequate ventilation hole, so that expanding gases can be released.

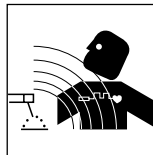


⚠WARNING Do not breathe fumes that are produced by the arc welding operation. These fumes are dangerous. If the welding area cannot be adequately ventilated, be sure to use an air-supplied respirator.



- Keep the head and face out of the welding fumes.
- Do not perform electric arc welding operations on metals that are galvanized or cadmium plated, or contain zinc, mercury, or beryllium without completing the following precautions:
 - a. Remove the coating from the base metal.
 - b. Make sure that the welding area is well ventilated.
 - c. Use an air-supplied respirator.
 Extremely toxic fumes are created when these metals are heated.

⚠WARNING The electromagnetic field that is generated during arc welding may interfere with the operation of various electrical and electronic devices such as cardiac pacemakers. Persons using such devices should consult with their physician prior to performing any electric arc welding operations.



- Route the wire gun and work cables together and secure with tape when possible.
- Never wrap arc welder cables around the body.
- Always position the wire gun and work leads so that they are on the same side of the body.
- Exposure to electromagnetic fields during welding may have other health effects which are not known.

⚠WARNING Always be sure that the welding area is secure and free of hazards (sparks, flames, glowing metal or slag) prior to leaving. Be sure that equipment is turned off and excess wire is cut off. Be sure that cables are loosely coiled and out of the way. Be sure that all metal and slag has cooled.

ADDITIONAL SAFETY STANDARDS

ANSI Standard Z49.1 from American Welding Society, 550 N.W. Le June Rd. Miami, FL 33126

Safety and Health Standards

OSHA 29 CFR 1910, from Superintendent of Documents, U.S. Government Printing Office, Washington, D.C. 20402

National Electrical Code

NFPA Standard 70, from National Fire Protection Association, Batterymarch Park, Quincy, MA 02269

Safe Handling of Compressed Gases in Cylinders

CGA Pamphlet P-1, from Compressed Gas Association, 1235 Jefferson Davis Highway, Suite 501, Arlington, VA 22202

Code for Safety in Welding and Cutting

CSA Standard W117.2, from Canadian Standards Association, Standards Sales, 178 Rexdale Boulevard, Rexdale, Ontario, Canada M9W 1R3

Cutting And Welding Processes

NFPA Standard 51B, from National Fire Protection Association, Batterymarch Park, Quincy, MA 02269

Safe Practices For Occupational And Educational Eye And Face Protection

ANSI Standard Z87.1, from American National Standards Institute, 1430 Broadway, New York, NY 10018
Refer to the Material Safety Data Sheets and the manufacturers instructions for metals, wire, coatings and cleaners.

Installation (All Models)

LOCATION

Selecting the proper location can significantly increase performance, reliability and life of the arc welder.

- For best results locate the welder in an environment that is clean and dry. Dust and dirt in the welder retain moisture and increase wear of moving parts.
- Place the welder in an area that provides at least twelve inches (305 mm) of ventilation space at both the front and rear of the unit. Keep all obstructions away from this ventilation space.
- Store flux core wire in a clean, dry location with low humidity to reduce oxidation.
- The receptacle used for the welder must be properly grounded and the welder must be the only load on the power supply circuit. Refer to the Circuit Amps chart on page 1 for correct circuit capacity.
- The use of an extension cord is not recommended for electric arc welding machines. The voltage drop in the extension cord may

significantly degrade the performance of the welder.

Assembly - WF1800/WF1900

All welding accessories for the welder are inside the wire feed compartment. Lift wire feed cover to find handle, workclamp, etc.

Handle Assembly

1. Place handle assembly on welder, aligning two holes in the ends with threaded holes in welder housing.
2. Fasten screws through handle ends and into cabinet.
3. Insert cord storage clips into handle ends.

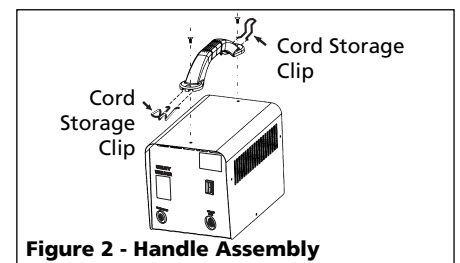


Figure 2 - Handle Assembly

Shaft Attachment

1. Open up the panel to expose the wire feed platform.
2. Align the shaft hole and notch to the welder screw hole and notch hole.
3. Fasten with screw down through the shaft and into the welder.
4. Press spring into top of spindle.

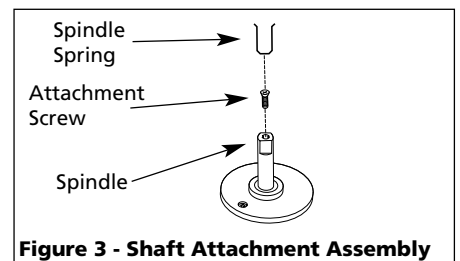


Figure 3 - Shaft Attachment Assembly

Flux Core Wire Installation

⚠WARNING Welding power may be applied to the output terminals, feed roll, work clamp, gun cable connection and welding wire even when the the gun switch is not activated. Do not touch these parts when the welding machine is on.

Note: Before installing welding wire, be sure that the diameter of the welding wire matches the groove in the drive roller on the wire feed mechanism and that the wire size matches the contact tip in the end of the gun (see Figure 5).

Assembly - WF1800/ WF1900 (Continued)

Any mismatch could cause the wire to slip, bind or weld poorly.

Contact Tip Markings

Mark	Wire Size
0.8	0.030"
0.9	0.035"

Wire Size Chart

Inches	mm
0.030	0.8
0.035	0.9

1. Verify the unit is off and lift the panel on the welder to expose the wire feed mechanism.
2. Loosen the wire feed tensioning screw on the drive mechanism. This allows initial feeding of the wire into the gun liner by hand.
3. Install the wire spool onto the spindle so that the wire can come off the spool on the end closest to the wire feed guide tube. **Do not cut the wire loose yet.**
4. Hold the wire and cut the wire end from the spool. Do not allow the wire to unravel. Be sure that the end of the wire is straight and free of burrs.
5. Feed the wire through the wire feed guide tube, over the groove in the drive roll and into the gun liner. Tighten the wire feed tensioning screw so that it is snug. Do not over tighten. Close the wire feed panel.

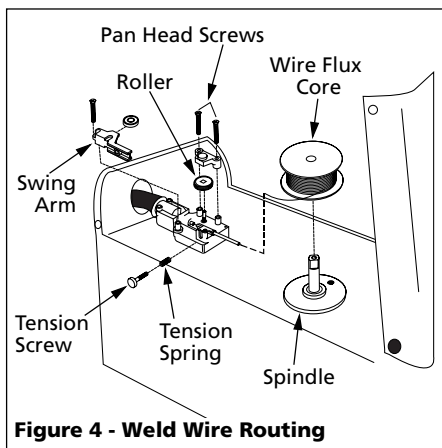


Figure 4 - Weld Wire Routing

6. Remove the nozzle by turning counter-clockwise. Then unscrew the contact tip from the end of the welding torch (See Figure 5). Plug the welder into the proper power supply receptacle.

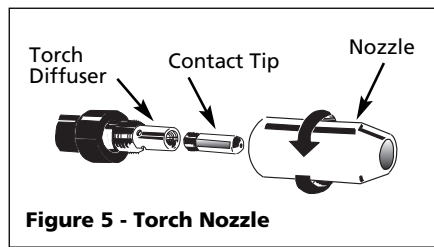


Figure 5 - Torch Nozzle

7. Turn on the welder and activate the gun switch until the wire feeds out past the torch end. **Turn welder off.**
8. Carefully slip the contact tip over the wire and screw it into the torch end. Install the nozzle by turning clockwise. (See Figure 5). Cut the wire off approximately 1/4 inch from the end of the nozzle.

Assembly - WF2000

All welding accessories for the welder are inside the wire feed compartment. Lift and remove wire feed cover to find handle, workclamp, etc.

Handle Assembly

1. Slide handle into plastic ends as shown (Fig. 6).

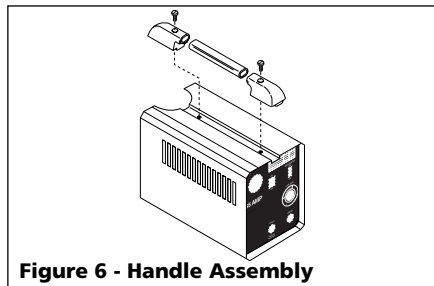


Figure 6 - Handle Assembly

2. Place handle assembly on welder aligning two holes in plastic ends with threaded holes in welder housing.
3. Fasten screws through handle ends and into cabinet.

WORK CLAMP

1. Loosen hex bolt on work clamp.
2. Insert cord (labeled work on the front panel of the welder) through clamp handle and slide bare wire under the clamp block. Tighten hex bolt making sure bare wire is clamped securely (Fig. 7).

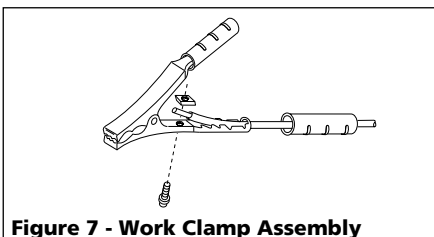


Figure 7 - Work Clamp Assembly

Flux Core Wire Installation

WARNING *Welding power may be applied to the output terminals, feed roll, work clamp, gun cable connection and welding wire even when the the gun switch is not activated. Do not touch these parts when the welding machine is on.*

Note: Before installing welding wire, be sure that the diameter of the welding wire matches the groove in the drive roller on the wire feed mechanism and that the wire size matches the contact tip in the end of the gun (see Figure 5). Any mismatch could cause the wire to slip, bind or weld poorly.

Wire Size Chart

Inches	mm
0.030	0.8
0.035	0.9

Contact Tip Markings

Mark	Wire Size
0.8	0.030"
0.9	0.035"

1. Verify the unit is off and lift the panel on the welder to expose the wire feed mechanism.
2. Remove the spool quick lock by pushing in and rotating 1/4 turn counterclockwise. The knob, spring, and spool spacer can now be removed.
3. Loosen the wire feed tensioning screw on the drive mechanism. This allows initial feeding of the wire into the gun liner by hand.

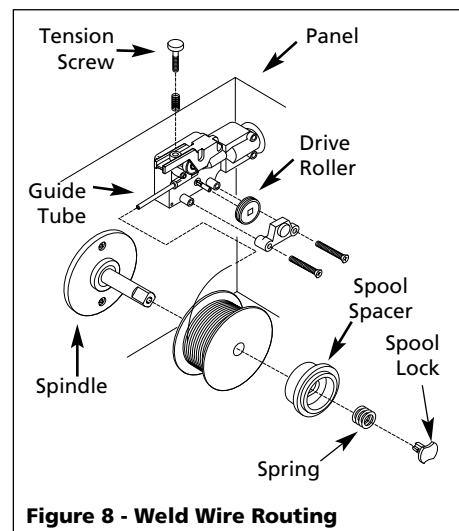


Figure 8 - Weld Wire Routing

4. Install the wire spool onto the spindle so that the wire can come off

Assembly - WF2000

(Continued)

- the spool on the end closest to the wire feed guide tube. **Do not cut the wire loose yet.** Install the spool spacer, spring, and quick lock knob by pushing in and turning the knob 1/4 rotation clockwise.
- Hold the wire and cut the wire end from the spool. Do not allow the wire to unravel. Be sure that the end of the wire is straight and free of burrs.
 - Feed the wire through the wire feed guide tube, over the groove in the drive roll and into the gun liner. Tighten the wire feed tensioning screw so that it is snug. Do not over tighten. Install the outer welder panel.
 - Remove the nozzle by turning counter-clockwise. Then unscrew the contact tip from the end of the welding torch (See Figure 5). Plug the welder into the proper power supply receptacle.
 - Turn on the welder and set the wire speed rate to Maximum. Activate the gun switch until the wire feeds out past the torch end. **Turn welder off.**
 - Carefully slip the contact tip over the wire and screw it into the torch end. Install the nozzle by turning clockwise. (See Fig. 5). Cut the wire off approximately 1/4 inch from the end of the nozzle.

Handshield Assembly WF1800

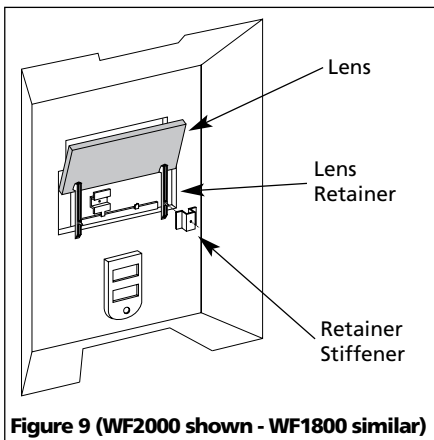


Figure 9 (WF2000 shown - WF1800 similar)

- Cut retainer stiffeners away from shield. Trim the excess plastic to remove sharp edges.
- Insert filter lens.
- Attach the stiffeners over the pins on the lens retainers (See Figure 9).

WF2000

- Cut retainer stiffeners and detachable handle away from shield. Trim the excess plastic to remove sharp edges.
- Insert filter lens.
- Attach the stiffeners over the pins on the lens retainers (See Figure 9).
- To attach the handle, place shield on a flat surface and press handle into place (See Figure 10).

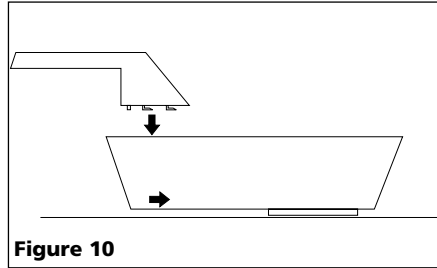


Figure 10

NOTE: If you have never welded before or have little experience, a full face helmet is recommended. Both hands are needed to stabilize and control the angle and arc length of the torch.

Welding Helmet Assembly (Promotional Models Only)

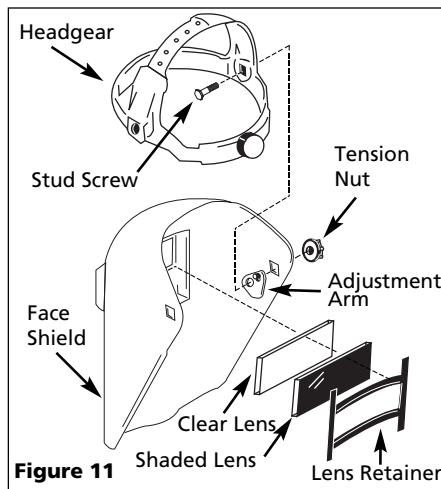


Figure 11

- Remove the lens retainer from the helmet.
- Place the clear lens into the helmet first, then place the shaded lens into the helmet. The clear lens should be on the outside. Its purpose is to protect the shaded lens from sparks and spatter. Secure the two lenses by snapping the lens retainer in place.
- Position the adjustment arm on the right side of the helmet. Place the small pin on the arm into one of the small holes in the helmet. This

adjustment controls the fit of the helmet when it is lowered, and can be easily repositioned if necessary.

- Position the headgear inside the helmet. Assemble the helmet by inserting the stud screw through the headgear and helmet (and adjustment arm on the right side) into the tension nut as shown. Do not tighten the tension nut completely.
- Trial fit the welding helmet. Adjust headgear ratchet band to a comfortable position and lower the helmet. If the helmet is too far or too close to the face, use a different hole for the adjustment arm. Adjust the tension nuts so the helmet can be easily lowered over the face by nodding the head.

Operation

CAUTION *The welding wire is live whenever the welder is turned on - whether the trigger is pulled or not.*

- Be sure to read, understand, and comply with all precautions in the General Safety Information section. Be sure to read the entire section entitled Welding Guidelines prior to using this equipment.
- Turn welder off.
- Verify that the surfaces of metals to be joined are free from dirt, rust, paint, oil, scale or other contaminants. These contaminants make welding difficult and cause poor welds.

WARNING *All persons operating this equipment or in the area while equipment is in use must wear protective welding gear including: eye protection with proper shade, flame resistant clothing, leather welding gloves, and full foot protection.*

WARNING *If heating, welding, or cutting materials that are galvanized, zinc plated, lead, or cadmium plated refer to the General Safety Information Section for instructions. Extremely toxic fumes are created when these metals are heated.*

- Connect the work clamp to the work piece or workbench (if metal). Make sure the contact is secure. Avoid surfaces with paint, varnish, corrosion, or non-metallic materials.
- Position the Heat Selector on the front panel to the desired setting.

NOTE: These settings are general guidelines only. Heat setting may vary according to welding conditions and materials.

Operation (Continued)

Metal Thickness	Heat Setting
14 - 18 Gauge	Low
Thicker Than 14 Gauge	High

- Rotate the Wire Speed Control to setting number 5 to start with, then adjust as needed after test weld. The WF1800's wire speed is automatically adjusted to the heat selection chosen.
- Plug the input cord into a proper voltage receptacle with proper circuit capacity (See circuit requirements on front page).
- Switch the welder ON/OFF switch to the ON position. For the WF1800/WF1900, switch the welder to the desired heat setting.
- Verify that the wire is extended 1/4" from the contact tip. If not, squeeze the trigger to feed additional wire, release the trigger, and cut wire to proper length.
- Position the wire feed gun near the work piece, lower the welding helmet by nodding the head, or position the hand shield, and squeeze the gun trigger. Adjust heat setting and wire speed as needed. Wire speed is not adjustable on the WF1800.
- When finished welding, turn welder off and store properly.

Maintenance

⚠WARNING *Disconnect power supply and turn machine off before inspecting or servicing any components. Keep the wire compartment cover closed at all times unless the wire needs to be changed.*

Before every use:

- Check condition of weld cables and immediately repair or replace any cables with damaged insulation.
- Check condition of power cord and immediately repair or replace any cord if damaged.
- Inspect the condition of the gun tip and nozzle. Remove any weld slag. Replace gun tip or nozzle if damaged.

⚠WARNING *Do not operate this welding machine with cracked or missing insulation on welding cables, wire feed gun, or power cord.*

Every 3 months:

- Replace any unreadable safety labels on the welder.

- Use compressed air to blow all dust and lint from the ventilation openings.
- Clean the wire groove on the drive roll. Remove wire from the feed mechanism, remove screws from the drive roll housing. Use a small wire brush to clean the drive roll. Replace if worn or damaged

Consumable and Wear Parts

The following parts require routine maintenance:

- Wire feed drive roller
- Gun liner - replace if worn
- Nozzle/contact tips
- Wire - The WF2000 will accept either 4" or 8" diameter spools. The WF1800/WF1900 will accept 4" spools only. Flux-cored welding wire is susceptible to moisture and oxidizes over time, so it is important to select a spool size that will be used within approximately 6 months. Use AWS type E71T-GS or E71T-11, .030" (.8mm) or .035" (.9mm) diameter.

Supply Cable Replacement

- Verify that welder is OFF and power cord disconnected.
- Remove welder cover to expose the ON/OFF switch.
- Disconnect the black and white power cord wires connected to the ON/OFF switch.
- Disconnect the green power cord wire connected to welder frame.
- Loosen the cord strain relief screw(s) and pull cord out of strain relief.
- Install new cord in reverse order.

Welding Guidelines

General

This line of welding machines utilizes a process called Flux Cored Arc Welding (FCAW). The FCAW process uses a tubular wire with a flux material inside. Shielding is obtained from the decomposition of the flux within the tubular wire.

When current is produced by a transformer (welding machine) and flows through the circuit to the weld wire, an arc is formed between the end of the weld wire and the work piece. This arc melts the wire and the work piece. The melted metal of the weld wire flows into the molten crater and forms a bond with the work piece as shown in Figure 12.

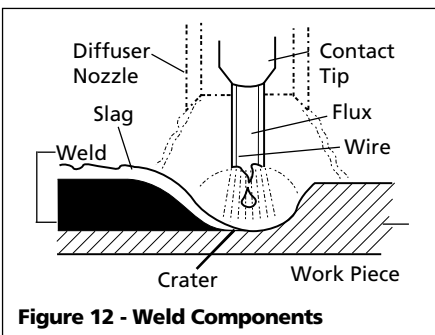


Figure 12 - Weld Components

Arc Welding Basics

Five basic techniques affect weld quality. These are: wire selection, heat setting, weld angle, wire speed, and travel speed.

An understanding of these techniques is necessary for effective welds.

HEAT SETTING

The correct heat involves the adjustment of the welding machine to the required setting. Heat or voltage is regulated by a switch on the welder. The heat setting used depends on the size (diameter) and type of wire, position of the weld, and the thickness of the work piece.

Consult specifications listed on the welder or generalized chart in the Operation section. It is suggested that the welder practice with scrap metal to adjust settings, and compare welds with Figure 17.

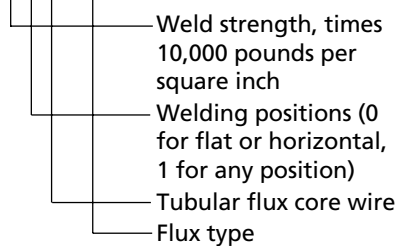
Welding Guidelines (Continued)

WIRE TYPE AND SIZE

The correct choice of wire type involves a variety of factors, such as welding position, work piece material type, thickness, and condition of surface to be welded. The American Welding Society, AWS, has set up certain requirements for each type of wire.

The AWS classification for self-shielding wire (FCAW process) is a multi digit number preceded by the letter E.

E - 7 0 T - GS



AWS E71T-GS or E71T-11 is recommended for these welders.

WELD ANGLE

Weld angle is the angle at which the diffuser nozzle is held during the welding process. Using the correct angle ensures proper penetration and bead formation. As different welding positions and weld joints become necessary, nozzle angle becomes an increasingly important factor in obtaining a satisfactory weld. Weld angle involves two positions - travel angle and work angle.

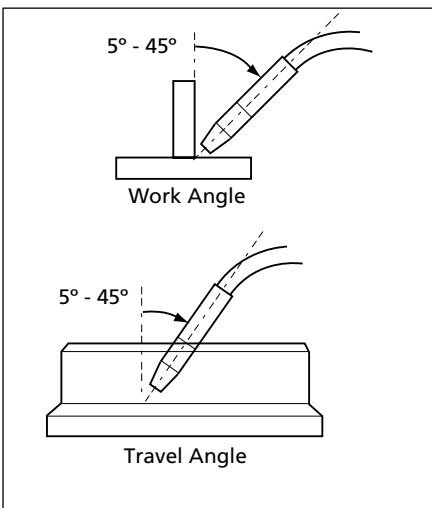


Figure 13 - Weld Angle

Travel angle is the angle in the line of welding and may vary from 5° to 45° from the vertical, depending on welding conditions.

Work angle is the angle from horizontal, measured at right angles to the line of welding. For most applications, a 45° travel angle and 45° work angle is sufficient. For specific applications, consult an arc welding handbook.

WIRE SPEED - WF2000

The wire speed is controlled by the knob on the front panel. The speed needs to be "tuned" to the rate at which the wire is being melted in the arc. Tuning is one of the most critical functions in wire feed welding. Tuning should be performed on a scrap piece of metal the same type and thickness as that to be welded. Begin welding with one hand "dragging" the gun nozzle across the scrap piece while adjusting the wire speed with the other hand. Too slow of speed will cause spattering and the wire will burn up into the contact tip (See Figure 17). Too fast a speed will also cause a spattering sound and the wire will push into the plate before melting. A smooth buzzing sound indicates the wire speed is properly tuned. Repeat the tuning procedure each time there is a change in heat setting, wire diameter or type, or work piece material type or thickness.

TRAVEL SPEED

The travel speed is the rate at which the wire is moved across the weld area. Factors such as diameter and type of weld wire, amperage, position, and work piece material thickness all effect the speed of travel necessary for completing a good weld (See Fig. 17). When the speed is too fast, the bead is narrow and bead ripples are pointed as shown. When the speed is too slow, the weld metal piles up and the bead is high and wide.

SLAG REMOVAL

WARNING *Wear ANSI approved safety glasses (ANSI Standard Z87.1) and protective clothing when removing slag. Hot, flying debris can cause personal injury to anyone in the area.*

After completing the weld, wait for the welded sections to cool. A protective coating called slag now covers the weld

bead which prevents contaminants in the air from reacting with the molten metal. Once the weld cools to the point that it is no longer glowing red, the slag can be removed. Removal is done with a chipping hammer. Lightly tap the slag with the hammer and break it loose from the weld bead. The final clean-up is done with a wire brush. When making multiple weld passes, remove the slag before each pass.

WELDING POSITIONS

Four basic welding positions can be used; flat, horizontal, vertical, and overhead. Welding in the flat position is easier than any of the others because welding speed can be increased, the molten metal has less tendency to run, better penetration can be achieved, and the work is less fatiguing. Welding is performed with the wire at a 45° travel angle and 45° work angle.

Other positions require different techniques such as a weaving pass, circular pass, and jogging. A higher skill level is required to complete these welds.

Overhead welding is the least desirable position as it is the most difficult and dangerous. Heat setting and wire selection will vary depending upon the position.

All work should be performed in the flat position if possible. For specific applications, consult an arc welding technical manual.

WELD PASSES

Sometimes more than one pass is necessary to fill the joint. The root pass is first, followed by filler passes and the cover pass (See Fig. 14). If the pieces are thick, it may be necessary to bevel the edges that are joined at a 60° angle. Remember to remove the slag before each pass.

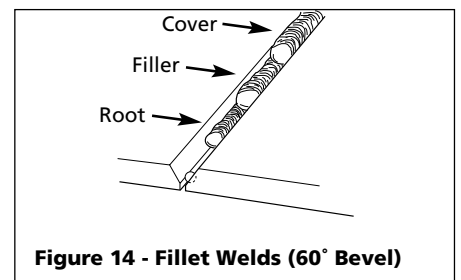


Figure 14 - Fillet Welds (60° Bevel)

Welding Guidelines (Continued)

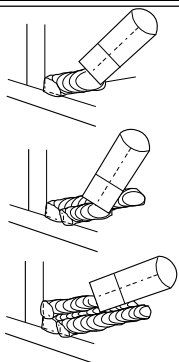


Figure 15 - Multiple Weld Passes

PUSH VS PULL TECHNIQUE

The type and thickness of the work piece dictate which way to point the gun nozzle. For thin materials (18 gauge and up), the nozzle should point out in front of the weld puddle and **push** the puddle across the workpiece. For thicker steel, the nozzle should point into the puddle to increase weld penetration. This is called backhand or **pull** technique (See Figure 16).

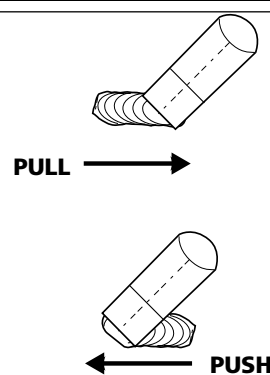


Figure 16

Glossary of Welding Terms

AC or Alternating Current - electric current that reverses direction periodically. Sixty cycle current travels in both directions sixty times per second.

Arc Length - the distance from the end of the electrode to the point where the arc makes contact with the work surface.

Base Metal - the material to be welded.

Butt Joint - a joint between two members aligned approximately in the same plane.

Crater - a pool, or pocket, that is formed as the arc comes in contact with the base metal.

DC or Direct Current - electric current which flows only in one direction. The polarity (+ or -) determines which direction the current is flowing.

DC Reverse Polarity - occurs when the electrode holder is connected to the positive pole of the welding machine. Reverse Polarity directs more heat into melting the electrode rather than the work piece. It is used on thinner material.

DC Straight Polarity - occurs when the electrode holder is connected to the negative pole of the welding machine. With straight polarity more heat is directed to the work piece for better penetration on thicker material.

Electrode - a coated metal wire having approximately the same composition as the material being welded.

Fillet Weld - approximately a triangle in cross-section, joining two surfaces at right angles to each other in a lap, T or corner joint.

Flux - a coating, when heated, that produces a shielding gas around the welding area. This gas protects the parent and filler metals from impurities in the air.

Flux Cored Arc Welding (FCAW) - also called Gasless, is a welding process used

with a wire-feed welding machine. The weld wire is tubular with flux material contained inside for shielding.

Gas Metal Arc Welding (GMAW) - also called MIG, is a welding process used with a wire feed welding machine. The wire is solid and an inert gas is used for shielding.

Gas Tungsten Arc Welding (GTAW) - also called TIG, is a welding process used with welding equipment with a high frequency generator. The arc is created between a non-consumable tungsten electrode and the work piece. Filler metal may or may not be used.

Lap Joint - a joint between two overlapping members in parallel planes.

Open Circuit Voltage (OCV) - the voltage between the electrode and the work clamp of the welding machine when no current is flowing (not welding). The OCV determines how quickly the arc is struck.

Overlap - occurs when the amperage is set too low. In this instance, the molten metal falls from the electrode without actually fusing into the base metal.

Porosity - gas pockets, or cavities, formed during weld solidification. They weaken the weld.

Penetration - the depth into the work piece that has been heat effected by the arc during the welding process. A good weld achieves 100% penetration meaning that the entire thickness of the work piece has been heated and resolidified. The heat effected area should be easily seen on the opposite side of the weld.

Shielded Metal Arc Welding (SMAW) - also called Stick, is a welding process that uses a consumable electrode to support the arc. Shielding is achieved by

the melting of the flux coating on the electrode.

Slag - a layer of flux soot that protects the weld from oxides and other contaminants while the weld is solidifying (cooling). Slag should be removed after weld has cooled.

Spatter - metal particles thrown from the weld which cool and harden on the work surface. Spatter can be minimized by using a spatter resistant spray on the work piece before welding.

Tack Weld - weld made to hold parts in proper alignment until final welds are made.

Travel Angle - the angle of the electrode in the line of welding. It varies from 5° to 45° depending on welding conditions.

T Joint - made by placing the edge of one piece of metal on the surface of the other piece at approximately a 90° angle.

Undercut - a condition that results when welding amperage is too high. The excessive amperage leaves a groove in the base metal along both sides of the bead which reduces the strength of the weld.

Weld Pool or Puddle - a volume of molten metal in a weld prior to its solidification as weld metal.

Weld Bead - a narrow layer or layers of metal deposited on the base metal as the electrode melts. Weld bead width is typically twice the diameter of the electrode.

Work Angle - the angle of the electrode from horizontal, measured at right angles to the line of welding.

Models WF1800, WF1900 and WF2000

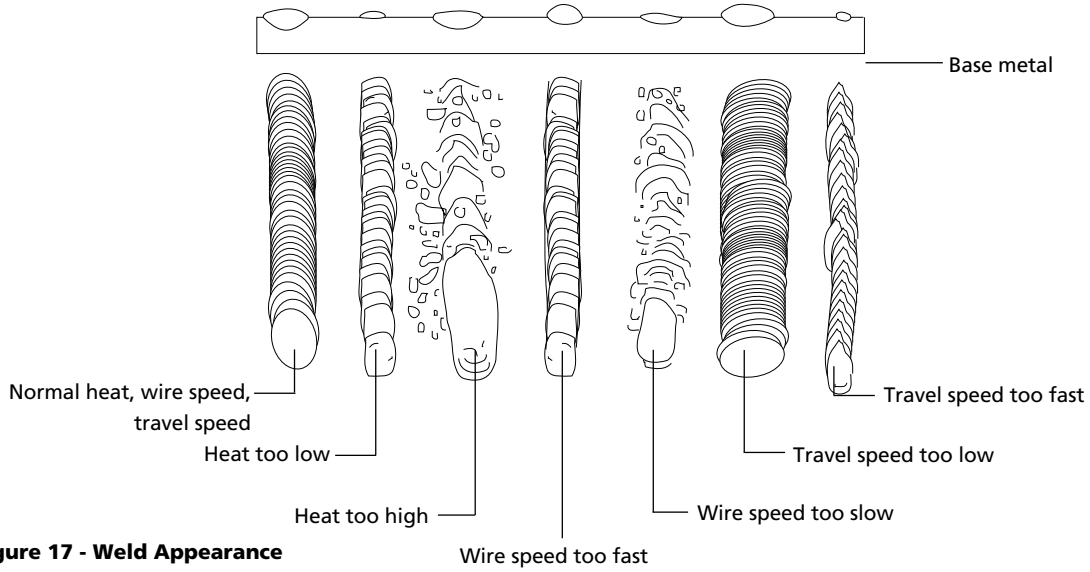


Figure 17 - Weld Appearance

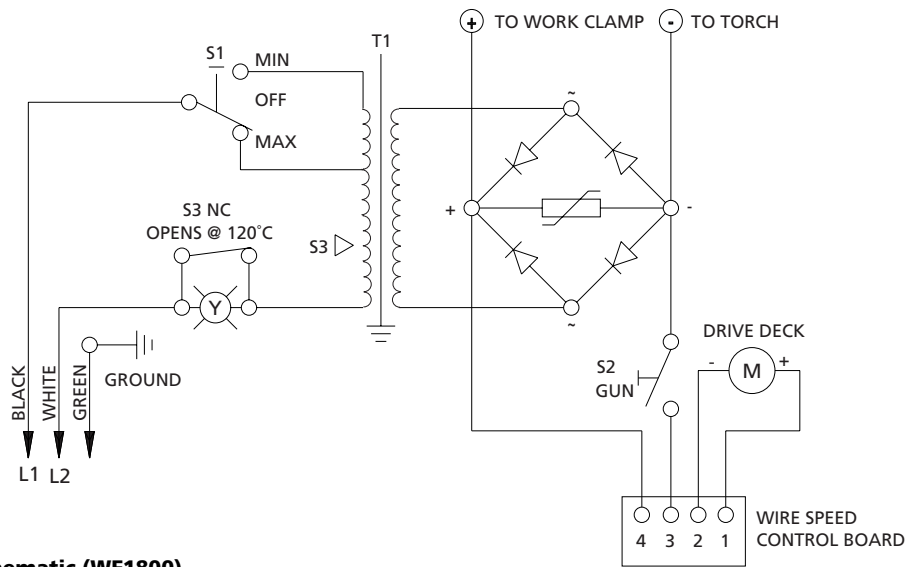


Figure 18 - Wiring Schematic (WF1800)

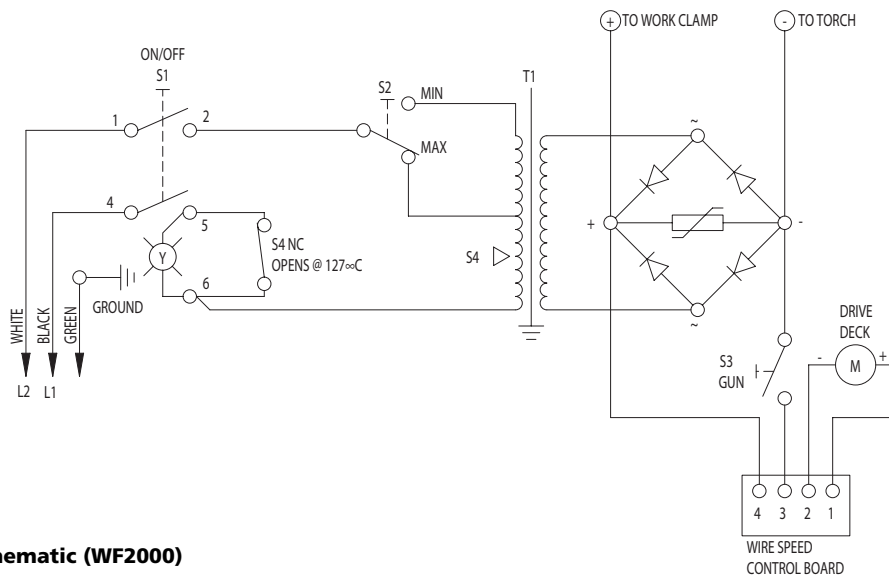


Figure 19 - Wiring Schematic (WF2000)

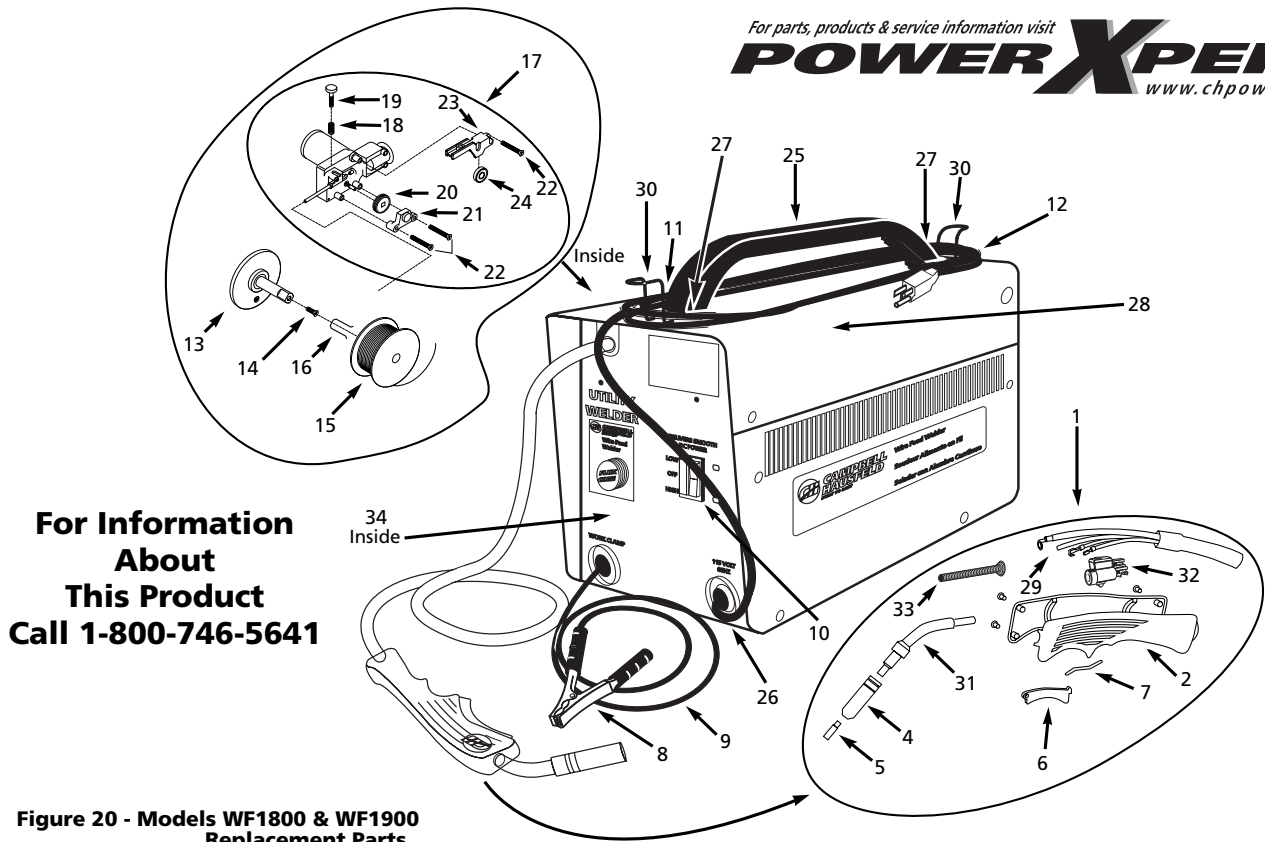
For Information About This Product Call 1-800-746-5641

Troubleshooting Chart - Welder

Symptom	Possible Cause(s)	Corrective Action
No output	<ol style="list-style-type: none"> 1. Duty cycle exceeded 2. Poor work clamp connection 3. Defective ON/OFF switch 4. Blown breaker or fuse 	<ol style="list-style-type: none"> 1. Allow welder to cool until ON/OFF Switch lamp goes out 2. Be sure all connections are secure, and attaching surface is clean 3. Replace switch 4. Reduce circuit load, reset breaker or replace fuse
Wire tangles at drive roller	<ol style="list-style-type: none"> 1. Wrong size gun tip 2. Gun liner clogged or damaged 3. Gun tip clogged or damaged 4. Feed roller worn 5. Not enough tension 	<ol style="list-style-type: none"> 1. Use proper size gun tip 2. Clean or replace gun liner 3. Clean or replace gun tip 4. Replace 5. Tighten tensioning screw
Gun nozzle arcs to work surface	Slag inside gun nozzle	Clean slag from gun nozzle
Work clamp and/or cable gets hot	Poor contact	Be sure all connections are secure, and attaching surface is clean
Wire does not feed	<ol style="list-style-type: none"> 1. Wire jammed 2. Out of wire 3. Not enough tension 4. Wire liner worn 	<ol style="list-style-type: none"> 1. Reload wire 2. Replace wire spool 3. Tighten tensioning screws if wire is slipping 4. Replace liner

Troubleshooting Chart - Welds

Symptom	Possible Cause(s)	Corrective Action
Bead is intermittently too thin	<ol style="list-style-type: none"> 1. Inconsistent travel speed 2. Output heat setting too low 	<ol style="list-style-type: none"> 1. Decrease and maintain constant travel speed 2. Increase output heat setting
Bead is intermittently too thick	<ol style="list-style-type: none"> 1. Slow and/or inconsistent travel speed 2. Output heat setting too high 	<ol style="list-style-type: none"> 1. Increase and maintain travel speed 2. Reduce output heat setting
Ragged depressions at edge of weld	<ol style="list-style-type: none"> 1. Travel speed too fast 2. Wire speed too fast 3. Output heat setting too high 	<ol style="list-style-type: none"> 1. Decrease travel speed 2. Decrease wire speed (WF2000) 3. Reduce output heat setting
Weld bead does not penetrate base metal	<ol style="list-style-type: none"> 1. Inconsistent travel speed 2. Output heat setting too low 3. Excessive extension cord length 	<ol style="list-style-type: none"> 1. Decrease and maintain constant travel speed 2. Increase output heat setting 3. Use an extension cord no longer than 20 ft.
Wire sputters and sticks	<ol style="list-style-type: none"> 1. Damp wire 2. Wire speed too fast 3. Wrong type of wire 	<ol style="list-style-type: none"> 1. Use dry wire and store in dry location 2. Reduce wire speed 3. Use flux core wire only (Do not use MIG or copper color wire)



**For Information
 About
 This Product
 Call 1-800-746-5641**

**Figure 20 - Models WF1800 & WF1900
 Replacement Parts**

Ref. No.	Description	Part Number	Qty
1	Torch assembly and hose	WC600900AJ	1
2	Torch body, front and back	WC600201AV	1
3 ▲	Hanger clip	WC600003AV	1
4	Nozzle	WT502100AV	1
5	Contact tip - 0.035" (0.9 mm)	WT501400AV	1
	Optional contact tip - 0.030" (0.8 mm)		
	(4-pack)	WT501300AJ	†
	Optional contact tip - 0.035" (0.9 mm)		
	(4-pack)	WT501400AJ	†
6	Trigger	WC600202AV	1
7	Torch contact spring	WC600203AV	1
8	Work clamp (Cord not included)	WC100300AV	1
9	Welding cable 8 AWG (6 ft)	*	1
10	High/Off/Low switch	WC401000AV	1
11	Safety decal (left)	DK670000AV	1
12	Power cord 14-3 AWG (6 ft) type SJT	*	1
13	Spindle	WC500700AV	1
14	M4.8-1.6 x 16 mm Sheet metal screw	*	1
15	Optional flux-core wire .030" (0.8 mm), 2 lb.	WE200001AV	†
	Optional flux-core wire .035" (0.9 mm), 2 lb.	WE200501AV	†
16	Spindle spring	WC500701AV	1
17	Drive deck assembly (Includes Nos. 18 - 24)	WC500000AV	1
18	Tension spring	WC500003AV	1
19	Tension screw	WC500002AV	1

Ref. No.	Description	Part Number	Qty
20	Roller, .6-.9mm	WC500001AV	1
21	Roller cover	WC500004AV	1
22	M4.2-1.4 x 35 mm Sheet metal screw	*	3
23	Swing arm	WC500005AV	1
24	Swing arm roller	WC500007AV	1
25	Handle	WC301300AV	1
26	Strain relief	WC102000AV	2
27	M4.2-1.4 x 10 mm Sheet metal screw	*	2
28	Safety decal (right)	DK670001AV	1
29	Liner, coated metal	WC600208AV	1
30	Cord storage clip	WC301301AV	2
31	Swan neck w/diffuser	WC600701AV	1
32	Valve body	WC600204AV	1
33	Trumpet liner	WC600305AV	1
34 ▲	Wire speed control board (inside)	WC401600AV	1
35 ▲	Welding helmet (WF1900 only)	WT100000AV	1
36 ▲	Replacement lens kit - one shaded and two clear	WT110501AV	†
37 ▲	Handshield (lens not included) (WF1800 only)	WC801200AV	1
38 ▲	Shaded lens (for handshield)	WC801100AV	1
39 ▲	Chipping hammer/brush	WC803000AV	1
▲	Not Shown		
†	Optional accessory, sold separately		
*	Standard hardware item, available at local hardware or welder supply store		



For Information About
This Product
Call 1-800-746-5641

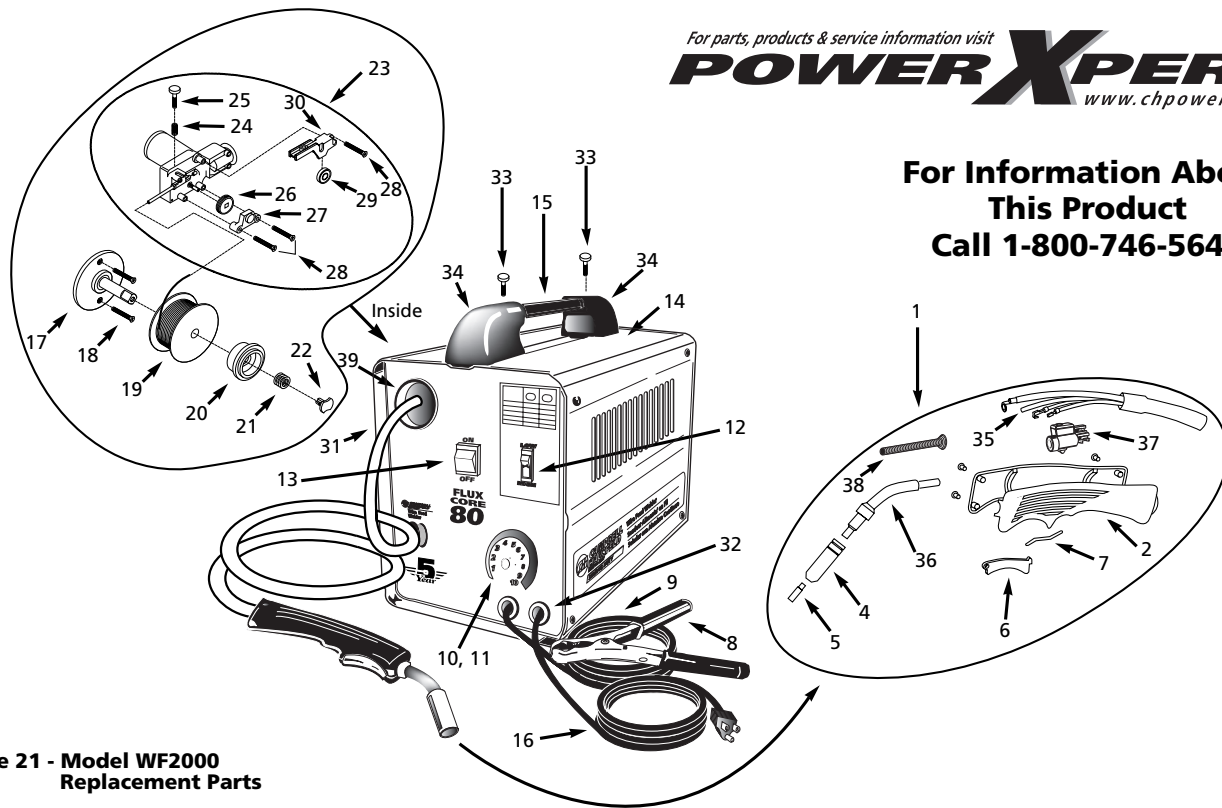


Figure 21 - Model WF2000 Replacement Parts

Ref. No.	Description	Part Number	Qty
1	Torch assembly and hose	WC600900AJ	1
2	Torch body, front and back	WC600201AV	1
3 ▲	Hanger clip	WC600003AV	1
4	Nozzle	WT502100AV	1
5	Contact tip - 0.035" (0.9 mm)	WT501400AV	1
	Optional contact tip - 0.030" (0.8 mm) (4-pack)	WT501300AJ	†
	Optional contact tip - 0.035" (0.9 mm) (4-pack)	WT501400AJ	†
6	Trigger	WC600202AV	1
7	Torch contact spring	WC600203AV	1
8	Work clamp (Cord not included)	WC100300AV	1
9	Welding cable 8 AWG (6 ft)	*	1
10	Wire speed knob	WC400201AV	1
11 ▲	Wire speed control board (inside)	WC402100AV	1
12	Low/high switch	WC400300AV	1
13	On/off switch	WC400000AV	1
14	Safety decal	DK670100AV	1
15	Handle	WC300100AV	1
16	Power cord 14-3 AWG (6 ft) Type SJT	*	1
17	Spool spindle	WC500300AV	1
18	M4.8-1.6 x 10 mm Sheet metal screw	*	2
19	Optional flux-core wire .030" (0.8 mm)		
	2 lbs.	WE200001AV	†
	10 lbs.	WE201000AV	†
	Optional flux-core wire .035" (0.9 mm)		
	2 lbs.	WE200501AV	†
	10 lbs.	WE201500AV	†

Ref. No.	Description	Part Number	Qty
20	Spool adapter	WC500200AV	1
21	Spool spring	WC500101AV	1
22	Spool locking hub	WC500100AV	1
23	Drive deck assembly (Includes Nos.24 - 30)	WC500000AV	1
24	Tension spring	WC500003AV	1
25	Tension screw	WC500002AV	1
26	Roller, .6 - .9mm	WC500001AV	1
27	Roller cover	WC500004AV	1
28	M4.2-1.4 x 35 mm Sheet metal screw	*	3
29	Swing arm roller	WC500007AV	1
30	Swing arm	WC500005AV	1
31	Side panel	WC700000AV	1
32	Strain relief	WC102000AV	2
33	M8 -1.25 x 20 mm Machine screw	*	2
34	Handle cap	WC300101AV	2
35	Liner, coated metal	WC600208AV	1
36	Swan neck w/diffuser	WC600701AV	1
37	Valve body	WC600204AV	1
38	Trumpet liner	WC600305AV	1
39	Torch ring	WC600009AV	1
40 ▲	Handshield (lens not included)	WC801300AV	1
41 ▲	Shaded lens (for handshield)	WC801100AV	1
42 ▲	Chipping hammer/brush	WC803000AV	1
▲	Not Shown		
†	Optional accessory, sold separately		
*	Standard hardware item, available at local hardware or welder supply store		

Limited 5-3-1 Warranty

-
- 1. Duration:** The manufacturer warrants that it will repair, at no charge for parts or labor, the Welder, Welding Gun, or Cables, proven defective in material or workmanship, during the following time period(s) after date of original retail purchase:
For 5 Years: The Welder Transformer and Rectifier
For 3 Years: The Entire Welder (excluding clamps, welding gun, electrode holder, cables, or accessories packed with welder)
For 1 Year: The Welding Clamps, MIG Gun, Electrode Holder, Accessories, and Welding Cables (as applicable)
 - 2. Who Gives This Warranty (Warrantor):**
Campbell Hausfeld
The Scott Fetzer Company
100 Production Drive
Harrison, OH 45030
Telephone: (513)-367-4811
 - 3. Who Receives This Warranty (Purchaser):** The original purchaser of the Campbell Hausfeld product.
 - 4. What is covered under this warranty:** Defects in material and workmanship which occur within the duration of the warranty period. This warranty extends to the Welder, the Welders Transformer and Rectifier, Welding Gun or Electrode Holder, and cables only.
 - 5. What is not covered under this warranty:**
 - A. Implied warranties, including those of merchantability and FITNESS FOR A PARTICULAR PURPOSE ARE LIMITED IN DURATION TO THIS EXPRESS WARRANTY. After this period, all risks of loss, from whatever reason, shall be on the purchaser. Some states do not allow limitations on how long an implied warranty lasts, so above limitations may not apply to you.
 - B. ANY INCIDENTAL, INDIRECT, OR CONSEQUENTIAL LOSS, DAMAGE, OR EXPENSE THAT MAY RESULT FROM ANY DEFECT FAILURE OR MALFUNCTION OF THE CAMPBELL HAUSFELD PRODUCT. Some states do not allow limitations on how long an implied warranty lasts, so above limitations may not apply to you.
 - C. This warranty does not apply to any accessory items included with the product which are subject to wear from usage; the repair or replacement of these items shall be at the expense of the owner. These MIG items include but are not limited to; Contact Tips, Nozzles, Gun Liners, Drive Rollers, Felt Wire Cleaner. In addition, this warranty does not extend to any damage caused by the untimely replacement or maintenance of any of the previously listed CONSUMABLE parts.
 - D. Any failure that results from accident, purchaser's abuse, neglect or failure to operate products in accordance with instructions provided in the owner's manual(s) supplied with the product.
 - E. Pre-delivery service, i.e. assembly and adjustment.
 - 7. Responsibilities of Warrantor under this warranty:** Repair or replace, at Warrantor's option, products or components which have failed within duration of the warranty period.
 - 8. Responsibilities of purchaser under this warranty:**
 - A. Deliver or ship the Campbell Hausfeld product or component to Campbell Hausfeld. Freight costs, if any, must be borne by the purchaser.
 - B. Use reasonable care in the operation and maintenance of the products as described in the owner's manual(s).
 - 9. When Warrantor will perform repair or replacement under this warranty:** Repair or replacement will be scheduled and serviced according to the normal work flow at the servicing location, and depending on the availability of replacement parts.

This Limited Warranty gives you specific legal rights and you may also have other rights which vary from state to state.

S'il vous plaît lire et conserver ces instructions. Lire attentivement avant de monter, installer, utiliser ou de procéder à l'entretien du produit décrit. Se protéger ainsi que les autres en observant toutes les instructions de sécurité, sinon, il y a risque de blessure et/ou dégâts matériels! Conserver ces instructions comme référence.

CAMPBELL HAUSFELD™

Soudeur À L'Arc Alimenté En Fil

BUILT TO LAST

Description

Les modèles WF1800 et WF2000 Campbell Hausfeld sont des soudeurs à l'arc alimentés en fil de 70 A, monophasés avec une puissance d'entrée de 115 V. Le modèle WF2000 est équipé d'un réglage précis du taux d'alimentation de fil nécessaire pour une variété de conditions de soudage. Les pièces internes sont protégées par un thermostat.

Ce système de soudage a été conçu pour usage avec le procédé de Soudage À L'Arc Fourré de Flux (FCAW). Livré de l'usine tel quel, ce soudeur peut souder avec un fil fourré de flux de diamètre .030 po (.8 mm) ou .035 po (.9 mm). Une bobine de fil pour usage initial est comprise.

POLARITÉ

Les soudeuses sont configurées pour le courant continu-électrode négative (CCÉN).

FACTEUR D'UTILISATION/PROTECTION THERMOSTATIQUE

Le facteur d'utilisation de soudage est le pourcentage du temps de soudage actuel qui peut se passer dans un interval de dix minutes. Par exemple, le soudage actuel peut se produire pour une minute à un facteur d'utilisation de 10%, et ensuite, le soudeur doit se refroidir pour neuf minutes.

Les pièces détachées internes de ce soudeur sont protégées contre le surchauffage avec un interrupteur automatique thermique. **Une lampe jaune est allumée sur le panneau d'avant (interrupteur on/off) si vous dépassez le facteur d'utilisation.** Continuer avec le soudage une fois que la lampe n'est plus allumée.

CONVERSION MIG

Le modèle WF1800 et WF1900 **N'EST PAS** convertible au système d'usage de gaz MIG. Composer le 1-800-746-5641 pour acheter le jeu de conversion MIG (WT600400AJ) pour le modèle WF2000.

Déballage

Tous les accessoires de soudage pour le soudeur sont situés dans le compartiment d'alimentation en fil. Soulever et/ou retirer le couvercle d'alimentation du fil pour trouver la poignée, la pince, etc. Lors du

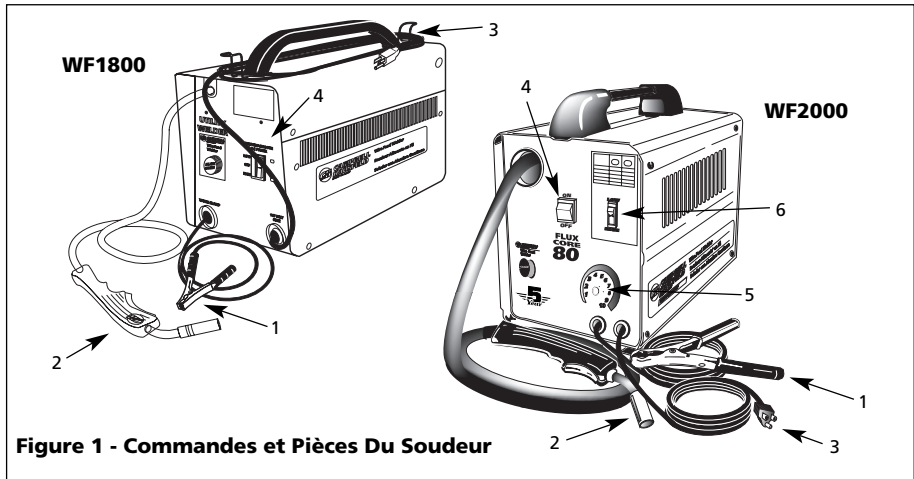


Figure 1 - Commandes et Pièces Du Soudeur

déballage, l'examiner soigneusement pour rechercher toute trace de dommage susceptible de s'être produit en cours de transport. S'assurer que tous raccords, vis, etc. sont serrés avant de mettre ce produit en marche.

Exigences De Circuit

ATTENTION Cet équipement exige un circuit de 115 volt unique. Se référer au tableau suivant pour le disjoncteur ou la classification de fusible correct. Ne pas faire fonctionner autres appareils, lampes, ou outils sur ce circuit pendant l'utilisation de cet équipement. Les cordons prolongateurs ne sont pas recommandés. Manque de suivre ces recommandations peut avoir comme résultat, fusibles sautés et disjoncteurs déclenchés.

Sélecteur de Chaleur	Disjoncteur ou Fusée à Retardement
Bas	15 amp
Haut	20 amp

Se référer à la page 19 pour les instructions de remplacement du cordon d'alimentation.

Commandes et Pièces Détachées

WF1800/WF1900

1. Pince De Soudeur - raccordée à l'objet de travail.
2. Pistolet D'Alimentation En Fil avec buse de 0,9 mm (.035 po).
3. Cordon D'Alimentation -brancher dans une prise de courant de 115 V.
4. Interrupteur Bas/Hors Circuit/Haut - réglé selon l'épaisseur du métal. Contrôle la vitesse du fil automatiquement. S'allume si le thermostat coupe la puissance du modèle.

WF2000

1. Pince De Soudeur - raccordée à l'objet de travail.
2. Pistolet D'Alimentation En Fil avec buse de 0,9 mm (.035 po).
3. Cordon D'Alimentation -brancher dans une prise de courant de 115 V.
4. Interrupteur On/Off - s'allume si le thermostat coupe la puissance du modèle.
5. Commande De Réglage De Vitesse Infini Du Fil -tourne au sens des aiguilles d'une montre pour augmenter la vitesse du fil, et au sens inverse pour réduire la vitesse.
6. Sélecteur de Chaleur - Pour choisir la puissance de soudage. Deux sélections sont possibles; réglage bas et haut.

Généralités Sur la Sécurité

⚠ DANGER

Danger indique:

Manque de suivre cet avertissement causera la perte de vie ou blessures graves.

⚠ AVERTISSEMENT

Avertissement indique:

Manque de suivre cet avertissement peut causer la perte de vie ou blessures graves.

⚠ ATTENTION

Attention indique:

Manque de suivre cet avertissement peut causer des blessures de gravité mineures ou modérées ou dommage matériel.

Remarque: Remarque indique: De L'information additionnel concernant le produit ou son utilisation.

⚠ AVERTISSEMENT



Toujours avoir un extincteur d'incendie disponible pendant le soudage à l'arc.

- Lire et comprendre toutes instructions avant de démarrer un soudeur à l'arc ou avant de procéder à son entretien. Manque de suivre les précautions et instructions de sécurité peut avoir comme résultat, blessures graves, perte de vie ou dommage matériel.
- Toute installation, entretien, réparation et utilisation de cet équipement doit être effectué par les personnes qualifiées conformément aux codes nationaux, provinciaux et locaux.

⚠ AVERTISSEMENT



L'utilisation incorrecte des soudeurs à l'arc peut avoir comme résultat, secousse électrique, blessure, et perte de vie! Suivre toutes les précautions indiquées dans ce manuel afin de réduire le risque de secousse électrique.

- S'assurer que toutes les pièces du soudeur à l'arc soient propres et en bon état avant d'utiliser le soudeur. S'assurer que l'isolation sur tous câbles, pistolets et cordons d'alimentation n'est pas endommagée. Toujours réparer ou remplacer les pièces détachées qui sont endommagées avant d'utiliser le soudeur. Toujours tenir les panneaux et couvercles de soudage en place pendant le fonctionnement du soudeur.
- Toujours utiliser le soudeur dans un endroit propre, sec et bien ventilé. Ne jamais utiliser un soudeur dans un endroit humide, trempé, pluvieux, ou mal-ventilé.
- Toujours utiliser le soudeur dans un endroit propre, sec et bien ventilé. Ne jamais utiliser un soudeur dans un endroit humide, trempé, pluvieux, ou mal-ventilé.

- S'assurer que l'objet sur lequel vous travaillez est bien fixé et mis à la terre correctement avant de commencer votre soudage électrique à l'arc.
- Le câble de soudage roulé devrait être étendu avant l'utilisation afin d'éviter le surchauffage et dommage à l'isolation.

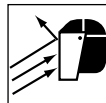
⚠ DANGER

Ne jamais immerger

le fil ou le pistolet dans l'eau. Si le soudeur devient trempé, il est nécessaire qu'il soit complètement sec et propre avant l'utilisation!

- Toujours mettre l'équipement hors circuit et le débrancher avant de le déplacer.
- Toujours brancher le conducteur principal de travail en premier lieu.
- Vérifier que l'objet sur lequel vous travaillez soit mis à la terre correctement.
- Toujours mettre l'équipement de soudage électrique à l'arc hors circuit s'il n'est pas en usage et couper l'excès de fil du pistolet.
- Ne jamais permettre que votre corps touche le fil fourré de flux et le contact à la terre ni l'objet sur lequel vous travaillez en même temps.
- Les conditions et positions de soudage difficiles peuvent poser des risques électriques. Si vous êtes accroupis, à genoux ou aux élévations, s'assurer que toutes pièces conductrices soient isolées. Porter des vêtements protecteurs convenables et prendre des précautions contre les chutes.
- Ne jamais essayer d'utiliser cet équipement aux réglages de courant ni aux facteurs d'utilisation plus haut que ceux indiqués sur les étiquettes de l'équipement.
- Ne jamais utiliser un soudeur électrique à l'arc pour dégeler les tuyaux congelés.

⚠ AVERTISSEMENT

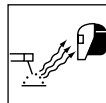


Les étincelles volantes et le métal chaud peuvent causer des blessures. La scorie peut s'échapper quand les soudures se refroidissent. Prendre toutes précautions indiquées dans ce manuel pour réduire la possibilité de blessure par les étincelles volantes et le métal chaud.

- Porter un masque de soudure approuvé par ANSI ou lunettes de sécurité avec écrans protecteurs de bords pendant le burinage ou l'ébarbage des pièces en métal.
- Utiliser des protège-tympons pour le soudage aérien afin d'éviter que la scorie ou la bavure tombe dans vos oreilles.

⚠ AVERTISSEMENT

Le soudage électrique à arc produit la lumière intense, la



chaleur et rayons ultraviolets (UV). Cette lumière intense et rayons UV peuvent causer des blessures aux yeux et à la peau. Prendre toutes précautions indiquées dans ce manuel afin de réduire la possibilité de blessure aux yeux et à la peau.

- Toutes personnes utilisant cet équipement ou présent dans l'endroit où l'équipement est en marche doivent porter l'équipement de soudage protecteur y compris: un casque ou masque de soudeur avec une lentille d'au moins #10, des vêtements incombustibles, des gants de soudeur en cuir et la protection complète pour les pieds.

⚠ ATTENTION

Le fil de soudage

est sous tension quand le soudeur est en marche - que la gâchette soit tirée ou non.

⚠ AVERTISSEMENT

Ne jamais

observer le soudage sans la protection pour les yeux indiquée ci-dessus. Ne jamais utiliser une lentille filtrante qui est fendue, cassée, ou classifiée moins que le numéro 10. Avertir les autres personnes dans l'endroit de ne pas observer l'arc.

⚠ AVERTISSEMENT



Le soudage électrique à l'arc produit des étincelles et chauffe le métal aux températures qui peuvent causer des brûlures sévères! Utiliser des gants et vêtements protecteurs pendant n'importe quel travail de métal. Prendre toutes les précautions indiquées dans ce manuel afin de réduire la possibilité de brûlures de peau ou de vêtements.

- S'assurer que toutes personnes dans l'endroit de soudage soient protégés contre la chaleur, les étincelles et les rayons ultraviolets. Utiliser des visières additionnelles et écrans coupe-feu où nécessaire.
- Ne jamais toucher les objets de travail avant qu'ils se refroidissent complètement.

⚠ AVERTISSEMENT



La chaleur et les étincelles qui sont produits pendant le soudage électrique à l'arc et autres travaux de métal peuvent allumer les matériaux inflammables et explosifs! Prendre toutes précautions indiquées dans ce manuel afin de réduire la possibilité de flammes et d'explosions.

- Enlever tous les matériaux inflammables à moins de 35 pieds (10,7 m) de l'arc de soudage. Si ceci n'est pas possible, couvrir les matériaux inflammables avec des couvertures incombustibles.
- Ne pas utiliser un soudeur électrique à l'arc dans les endroits qui contiennent des vapeurs inflammables ou explosifs.

Généralités Sur la Sécurité (Suite)

- Prendre précaution pour s'assurer que les étincelles volantes et la chaleur ne produisent pas de flammes dans des endroits cachés, fentes, etc.

⚠ AVERTISSEMENT *Risque d'incendie!* Ne pas souder les récipients ou tuyaux qui contiennent ou ont contenu des matériaux inflammables ou combustibles gazeux ou liquides.

⚠ AVERTISSEMENT



Le soudage à l'arc des cylindres ou récipients clos tels que les réservoirs ou bidons peuvent causer une explosion s'ils ne sont pas bien ventilés! Vérifier qu'il y ait un trou de ventilation suffisant dans n'importe quel cylindre ou récipient pour permettre la ventilation des gaz en expansion.

⚠ AVERTISSEMENT



Ne pas inspirer les vapeurs qui sont produits par le soudage à l'arc. Ces vapeurs sont dangereuses. Utiliser un respirateur si l'endroit de soudage n'est pas bien ventilé.

- Tenir la tête et le visage hors des vapeurs de soudage.
- Ne pas exécuter le soudage électrique à l'arc sur les métaux galvanisés ou plaqués en cadmium, ou qui contiennent le zinc, le mercure, ou le beryllium sans suivre les précautions suivants:
 - a. Enlever l'enduit du métal commun.
 - b. S'assurer que l'endroit de soudage soit bien ventilé.
 - c. Utiliser un respirateur à air fourni.

Les vapeurs extrêmement toxiques sont produit pendant le chauffage de ces métaux.

⚠ AVERTISSEMENT



Le champ électromagnétique qui est produit pendant le soudage à l'arc peut causer de l'interférence avec le fonctionnement de plusieurs appareils électriques tels que les pacemakers cardiaques. Toutes personnes qui utilisent ces appareils doivent consulter leur médecin avant d'exécuter le soudage électrique à l'arc.

- Router le pistolet et les câbles ensemble et les fixer avec du ruban adhésif si possible.
- Ne jamais envelopper les câbles de soudage à l'arc autour du corps.
- Toujours situer le pistolet et les conducteurs de travail afin qu'ils soient sur le même côté du corps.
- L'exposition aux champs électromagnétiques peut avoir

d'autres réactions inconnues concernant la santé.

⚠ AVERTISSEMENT *Toujours laisser*

l'endroit de soudage en état sûr et sans risques (étincelles, flammes, métal chauffé au rouge ou scorie). S'assurer que l'équipement soit hors circuit et que l'excès de fil soit taillé. S'assurer que les câbles soient roulés (sans serrer) et hors du chemin. S'assurer que tout le métal et la scorie se soient refroidis.

NORMES DE SÉCURITÉ ADDITIONNELLES

(Normes) ANSI Standard Z49.1 de l'American Welding Society, 550 N.W. LeJune Rd. Miami, FL 33126

Safety and Health Standards (Normes de Sécurité et de Santé)

OSHA 29 CFR 1910, du Superintendent of Documents, U.S. Government Printing Office, Washington, D.C. 20402

National Electrical Code (Code Électrique National)

(Normes) NFPA Standard 70, du National Fire Protection Association, Batterymarch Park, Quincy, MA 02269

Safe Handling of Compressed Gases in Cylinders (Manipulation Sûre des Gaz Comprimis en Cylindres)

CGA Pamphlet P-1, du Compressed Gas Association, 1235 Jefferson Davis Highway, Suite 501, Arlington, VA 22202

Code for Safety in Welding and Cutting (Code pour la Sécurité concernant le Soudage et le Coupage)

CSA Standard W117.2, du Canadian Standards Association, Standards Sales, 178 Rexdale Boulevard, Rexdale, Ontario, Canada M9W 1R3

Cutting And Welding Processes (Procédés de Coupage et Soudage)

NFPA Standard 51B, from National Fire Protection Association, Batterymarch Park, Quincy, MA 02269

Safe Practices For Occupational And Educational Eye And Face Protection (Règlements Professionnels Et D'Education De Sécurité Pour La Protection Des Yeux Et Du Visage)

ANSI Standard Z87.1, de l'American National Standards Institute, 1430 Broadway, New York, NY 10018

Se référer aux Material Safety Data Sheets (Données De Sécurité) et les instructions du fabricant pour métaux, fils, enduits et produits pour le nettoyage.

Installation

ENDROIT

La sélection d'un bon endroit peut augmenter le rendement, la sûreté de fonctionnement et la vie du soudeur à l'arc.

- Pour un meilleur résultat, situer le soudeur dans un endroit propre et sec. La poussière et la saleté dans le soudeur conservent l'humidité et augmente l'usure des pièces mouvantes.

- Choisir un endroit pour le soudeur qui fournit au moins douze pouces (30,48 cm) d'espace pour la ventilation en avant et en arrière du modèle. Ne pas obstruer cet espace de ventilation.
- Ranger le fil avec noyau de flux dans un endroit propre, sec à faible humidité pour réduire l'oxydation.
- La prise de courant utilisée pour le soudeur doit être mise à la terre correctement et le soudeur doit être le seul appareil de charge sur le circuit. Se référer au tableau d'Ampères de Circuit sur la page 1 pour la capacité correcte du circuit.
- L'usage d'un cordon prolongateur n'est pas recommandé pour les soudeurs électriques à l'arc. La perte de tension dans le cordon prolongateur peut réduire le rendement du soudeur.

Montage -

WF1800/ WF1900

Tous les accessoires de soudage pour le soudeur sont situés dans le compartiment d'alimentation en fil. Soulever le couvercle d'alimentation du fil pour trouver le manche, la pince, etc.

ASSEMBLAGE DE LA POIGNÉE

1. Placer le manche équipé sur le soudeur et aligner les deux trous dans les bouts du carter de soudeur avec trous à filets.
2. Fixer les vis à travers les bouts de manche dans le carter.
3. Insérer les pinces de rangement du cordon dans les extrémités des poignées.

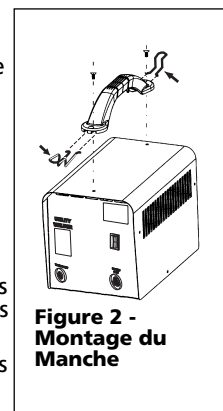


Figure 2 - Montage du Manche

ACCESSOIRE D'ARBRE

1. Ouvrir le panneau afin d'exposer la plate-forme d'alimentation en fil.
2. Aligner le trou d'arbre et l'encoche au trou de vis du soudeur et au trou d'encoche.
3. Fixer avec la vis à travers l'arbre et dans le soudeur.
4. Appuyer le ressort dans le haut de la broche.

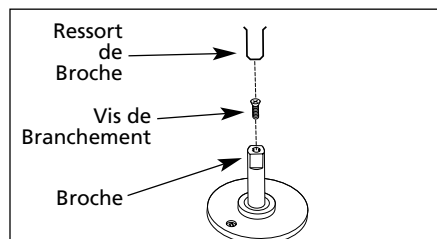


Figure 3 - Montage d'Accessoire d'Arbre

Montage - WF1800/WF1900 (Suite)

INSTALLATION DU FIL FOURRÉ EN FLUX

⚠ AVERTISSEMENT La puissance de soudage peut être appliquée aux bornes de sortie, rouleau entraîneur, pince de soudeur, raccord du câble de pistolet et le fil à soudage même si l'interrupteur du pistolet n'est pas activé. Ne pas toucher ces pièces quand le soudeur est en marche.

Note: Avant d'installer le fil de soudure, s'assurer que le diamètre du fil convienne à la rainure du rouleau d'entraînement sur le mécanisme d'alimentation du fil et que la taille du fil s'apparie à la buse du contact à l'extrémité du pistolet (voir figure 5). Tout mauvais agencement pourrait faire glisser, coller le fil ou provoquer une mauvaise soudure.

Tableau De Tailles De Fil

Pouces	mm
0,030	0,8
0,035	0,9

Marquage de la Buse de Contacte

Marque	Taille de Fil
0,8	0,8 mm
0,9	0,9 mm

- Vérifier que le modèle soit hors circuit (OFF) et ouvrir le panneau sur le soudeur afin d'exposer le mécanisme d'alimentation de fil.

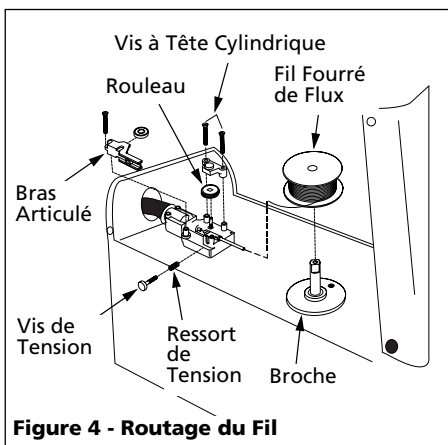


Figure 4 - Routage du Fil

- Déserrer la vis de tension sur le mécanisme d'entraînement afin de permettre l'avancement initial à la main du fil dans la chemise du pistolet.
- Installer la bobine sur la broche afin que le fil puisse sortir de la bobine au bout le plus près du tube de guidage d'avance. **Ne pas couper le fil tout de suite!**
- Tenir le fil et couper le fil du bout de la bobine. Ne pas permettre que le

fil se démêle. S'assurer que le bout du fil soit droit et sans ébarbures.

- Avancer le fil à travers du tube de guidage d'avance, par dessus de l'encoche dans le rouleau entraîneur et dans la chemise du pistolet. Serrer le vis de tension d'avance du fil. Ne pas trop serrer. Fermer le panneau d'alimentation de fil.
- Enlever la buse en tournant dans le sens contraire de celui des aiguilles d'une montre. Ensuite dévisser la buse de contacte du bout du chalumeau (Voir Figure 5). Brancher le soudeur dans une prise de courant convenable.

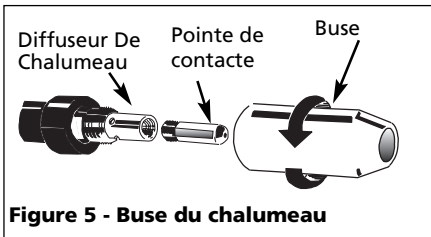


Figure 5 - Buse du chalumeau

- Mettre le soudeur en marche et régler le taux de vitesse de fil au Maximum. Actionner l'interrupteur du pistolet jusqu'à ce que le fil s'avance et dépasse le bout du chalumeau. **Mettre le soudeur hors circuit (off).**
- Glisser la buse de contacte avec soin par dessus le fil et la visser dans le bout du chalumeau. Installer la buse en la tournant au sens des aiguilles d'une montre. (Voir Figure 5) Couper le fil à environ 4 mm (1/4 po) du bout de la buse.

Montage - WF2000

Soulever et enlever le couvercle d'alimentation en fil pour trouver le manche, la pince de soudeur, etc.

MONTAGE DU MANCHE

- Glisser le manche dans les bouts en plastique comme indiqué (Fig. 6).

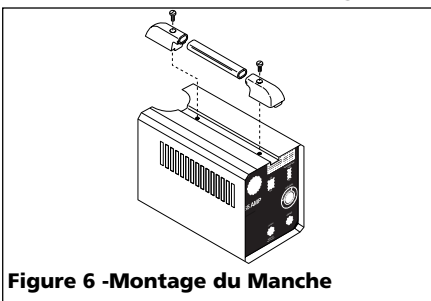


Figure 6 - Montage du Manche

- Placer le manche équipé dans le soudeur en alignant les deux trous dans les bouts en plastique avec les trous filetés dans le carter du soudeur.
- Fixer les vis à travers le manche et dans le carter.

PINCE DE SOUDEUR

- Desserrer le boulon hexagonal sur la pince de soudeur.
- Introduire le cordon (indiqué "work" sur le panneau d'avant du soudeur) à travers le manche de la pince et

glisser le fil nu sous le bloc de la pince. Serrer le boulon hexagonal et s'assurer que le fil nu soit bien serré (Figure 7).

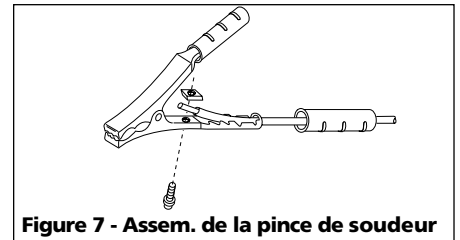


Figure 7 - Assem. de la pince de soudeur

INSTALLATION DU FIL FOURRÉ DE FLUX

⚠ AVERTISSEMENT La puissance de soudage peut être appliquée aux bornes de sortie, rouleau entraîneur, pince de soudeur, raccord du câble de pistolet et le fil à soudage même si l'interrupteur du pistolet n'est pas activé. Ne pas toucher ces pièces quand le soudeur est en marche.

Note: Avant d'installer le fil de soudure, s'assurer que le diamètre du fil convienne à la rainure du rouleau d'entraînement sur le mécanisme d'alimentation du fil et que la taille du fil s'apparie à la buse du contact à l'extrémité du pistolet (voir figure 5). Tout mauvais agencement pourrait faire glisser, coller le fil ou provoquer une mauvaise soudure.

Tableau De Tailles De Fil

Pouces	mm
0,030	0,8
0,035	0,9

Marquage de la Buse de Contacte

Marque	Taille de Fil
0,8	0,8 mm
0,9	,0,9 mm

- Vérifier que le modèle soit hors circuit (OFF) Ouvrir le panneau sur le soudeur afin d'exposer le mécanisme d'avance du fil.
- Enlever la serrure rapide de la bobine en appuyant et tournant 1/4 de tour au sens invers des aiguilles

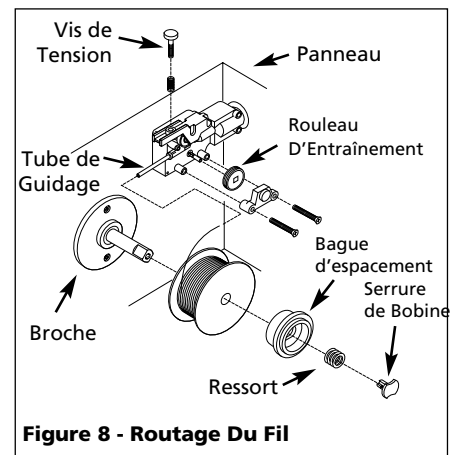


Figure 8 - Routage Du Fil

Montage - WF2000 (Suite)

- d'une montre. Le bouton, ressort, et bague d'espacement de la bobine peuvent être enlevés.
- Déserrer le vis de serrage sur le mécanisme d'entraînement afin de permettre l'avancement initial à la main du fil dans la chemise du pistolet.
 - Installer la bobine sur la broche afin que le fil puisse sortir de la bobine au bout le plus près du tube de guidage d'avance. **Ne pas couper le fil tout de suite!** Installer la bague d'espacement, le ressort, et le bouton de serrage rapide en appuyant et tournant le bouton 1/4 de tour au sens des aiguilles d'une montre.
 - Tenir le fil et couper le fil du bout de la bobine. Ne pas permettre que le fil se démêle. S'assurer que le bout du fil est droit et sans ébarbures.
 - Avancer le fil à travers du tube de guidage d'avance, par dessus de l'encoche dans le rouleau entraîneur et dans la chemise du pistolet. Serrer le vis de tension d'avance du fil. Ne pas trop serrer. Installer le panneau extérieur du soudeur.
 - Enlever la buse en tournant dans le sens contraire de celui des aiguilles d'une montre. Ensuite dévisser la buse de contact du bout du chalumeau (Voir Figure 5). Brancher le soudeur dans une prise de courant convenable.
 - Mettre le soudeur en marche et régler le taux de vitesse de fil au Maximum. Actionner l'interrupteur du pistolet jusqu'à ce que le fil s'avance et dépasse le bout du chalumeau. **Mettre le soudeur hors circuit (off).**
 - Glisser la buse de contact avec soin par dessus le fil et la visser dans le bout du chalumeau. Installer la buse en la tournant au sens des aiguilles d'une montre. (Voir Figure 5). Couper le fil à environ 6,4 mm du bout de la buse.

Montage du Masque a Main

WF1800

- Couper la nervure du dispositif de retenue du masque à main. Couper l'excès de plastique pour enlever les bords tranchants.
- Introduire la lentille filtrante.
- Fixer les nervures par dessus les goupilles sur le dispositif de retenue de la lentille (Voir Figure 9).

WF2000

- Couper la nervure du dispositif de retenue et le manche amovible du masque à main. Couper l'excès de plastique pour enlever les bords tranchants.

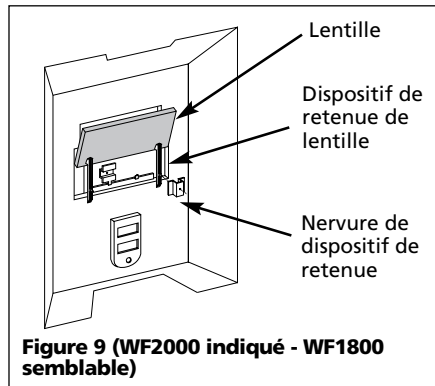


Figure 9 (WF2000 indiqué - WF1800 semblable)

- Introduire la lentille filtrante.
- Fixer les nervures par dessus les goupilles sur le dispositif de retenue de la lentille (Voir Figure 9).
- Pour fixer le manche, placer le masque à main sur une surface nivelée et appuyer sur le manche jusqu'à ce qu'il soit en place (Voir Figure 10).

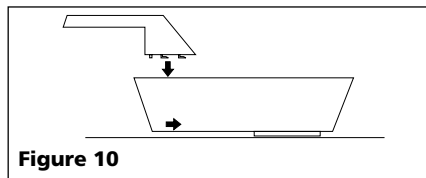


Figure 10

REMARQUE: Si vous n'avez jamais utilisé un soudeur ou si vous avez peu d'expérience, il est recommandé que vous utilisez un masque qui couvre complètement votre visage. Les deux mains sont nécessaires pour stabiliser et contrôler l'angle et la longueur de l'arc du chalumeau.

Montage du Casque de Soudeur - Modèles promotionnels seulement

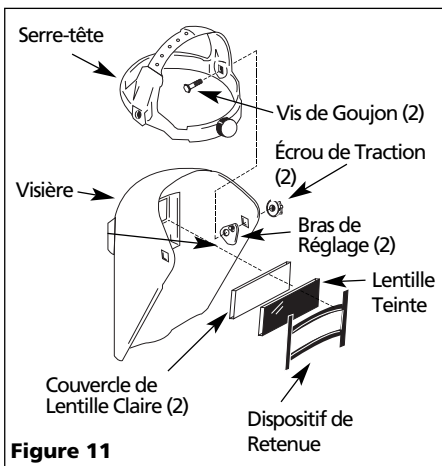


Figure 11

- Retirez les dispositifs de retenue de la lentille du casque.
- Placez d'abord la lentille transparente dans le casque, puis placez la lentille ombragée dans le casque. La lentille transparente devrait être à l'extérieur puisque sa raison d'être est de protéger

la lentille ombragée des étincelles et des projections. Fixez les deux lentilles en encliquetant le dispositif de retenue des lentilles en place.

- Positionnez le bras de réglage du côté droit du casque. Placez la petite goupille du bras dans l'un des petits trous du casque. Ce réglage contrôle l'ajustement du casque lorsqu'il est abaissé et se repositionne facilement au besoin.
- Positionnez le protège-tête à l'intérieur du casque. Assemblez le casque en insérant la vis d'ancrage dans le protège-tête et dans le casque (et le bras de réglage du côté droit) puis dans l'écrou de tension, tel qu'illustré. Ne resserrez pas l'écrou de tension jusqu'au bout.
- Faites l'essai de l'ajustement du casque de soudeur. Ajustez la bande à cliquet du protège-tête à une position confortable et abaissez le casque. Si celui-ci est trop près ou trop loin du visage, utilisez un trou différent pour le bras de réglage. Ajustez les écrous de tension pour que le casque s'abaisse facilement sur le visage en penchant la tête.

Fonctionnement

ATTENTION *Le fil de soudage est en charge si le poste de soudage est en marche - que la gâchette soit tirée ou non.*

- Lire, comprendre, et suivre toutes les précautions dans la section Généralités Sur La Sécurité. Lire la section entière Directives De Soudage avant d'utiliser l'équipement.
- Mettre le soudeur hors circuit (OFF).
- Vérifier si les surfaces du métal sont libres de saleté, rouille, peinture, huile, écailles ou autres polluants avant de les souder ensemble. Ces polluants peuvent causer de mauvaises soudures.

AVERTISSEMENT *Toutes personnes utilisant cet équipement ou qui sont dans l'endroit pendant l'utilisation de l'équipement doivent porter des vêtements de soudage protecteurs y compris: protection pour les yeux avec l'écran correct indiqué sur la table suivante, vêtements incombustibles, gants de soudeur en cuir, et protection complète pour les pieds.*

AVERTISSEMENT *Pour le chauffage, soudage ou coupage des matériaux qui sont galvanisés, plaqué en zinc, plomb, ou en cadmium, se référer à la section Généralités Sur La Sécurité pour plus d'instructions. Les vapeurs extrêmement toxiques sont produites pendant le chauffage de ces métaux.*

- Raccorder la pince de soudeur à l'objet de travail ou à l'établi (si en métal). Assurer que le contact est

Fonctionnement (Suite)

sûr et qu'il n'est pas pollué par la peinture, le vernis, la corrosion, ou autres matériaux non-métalliques.

- Régler le Régulateur de Chaleur situé sur le panneau d'avant.

Remarque: Ces réglages sont seulement des guides. Les réglages de chaleur sont variables selon les conditions de soudage et le matériel utilisé.

Épaisseur du Métal	Réglage de chaleur
Calibre 14 - 18	Bas (Low)
Calibre plus épais que 14	Haut (High)

- Tourner le bouton de Contrôle de Vitesse de Fil au numéro 5, et ajuster si nécessaire après la première soudure d'essai. La vitesse de fil du modèle WF1800 est réglé automatiquement selon le réglage de chaleur choisi.
- Brancher le cordon d'admission dans une prise de courant convenable avec capacité en circuits correcte (Se référer aux exigences de circuit sur la première page).
- Tourner l'interrupteur du soudeur ON/OFF à la position ON. Pour le modèle WF1800/WF1900, choisissez le réglage de chaleur désiré.
- Vérifier que le fil dépasse la pointe de contact par 1/4 po, sinon, appuyer sur la gâchette pour avancer le fil, lâcher la gâchette et tailler le fil.
- Tenir le pistolet en position de soudage, baisser le casque de soudeur en inclinant la tête, ou mettre l'écran à main en position, et appuyer sur la gâchette. Ajuster le réglage de chaleur et la vitesse du fil si nécessaire. La vitesse de fil n'est pas réglable sur le modèle WF1800.

- Une fois fini avec le soudage, mettre le soudeur hors circuit (off) et l'entreposer correctement.

Entretien

⚠ AVERTISSEMENT *Débrancher et mettre la machine hors circuit avant de vérifier ou de procéder à l'entretien de n'importe quelle pièce détachée. Toujours garder le couvercle du compartiment de fil fermé sauf pendant le changement du fil.*

Avant chaque usage;

- Vérifier la condition des câbles de soudage et réparer ou remplacer immédiatement, les câbles qui ont de l'isolation endommagés.
- Vérifier la condition du cordon d'alimentation et le réparer ou remplacer immédiatement si endommagé.
- Vérifier la condition de la pointe et la buse du pistolet. Enlever la scorie. Remplacer la pointe ou buse du pistolet si endommagés.

⚠ AVERTISSEMENT *Ne pas utiliser ce soudeur si l'isolation sur les câbles de soudage, pistolet ou cordon d'alimentation est fendue ou manquante.*

Chaque 3 mois:

- Remplacer toutes étiquettes de sécurité qui ne sont pas lisibles sur le soudeur.
- Utiliser de l'air comprimé pour souffler toute la poussière des ouvertures de ventilation.
- Nettoyer l'encoche de fil sur le rouleau d'entraînement. Enlever le fil du mécanisme d'avance, enlever les vis du carter du rouleau. Utiliser une petite brosse métallique pour

nettoyer le rouleau d'entraînement. Remplacer si usé ou endommagé.

Pièces Consommables et Pièces qui Peuvent S'User

Les pièces suivantes exigent de l'entretien ordinaire et de remplacement si usées:

- Rouleau d'entraînement d'alimentation de fin.
- Chemise du pistolet - remplacer si usée.
- Buse/buses de contact.
- Fil - Le modèle WF2000 acceptera des bobines de diamètre 10,16 cm ou 20,32 cm (4 ou 8 po). Le modèle WF1800/WF1900 acceptera seulement les bobines de 10,16 cm (4 po). Le fil de soudure fourré en flux est sensible à l'humidité et s'oxyde après quelques temps. Choisissez une taille de bobine qui sera utilisée dans approximativement 6 mois. Utilisez le type AWS E71T-GS ou E71T-11, de diamètre .030 po (0,8mm) ou .035 po (0,9mm).

Remplacement du Câble d'amenée de courant

- Vérifier que le soudeur soit OFF (Hors Circuit) et que le cordon d'alimentation soit débranché.
- Enlever le couvercle du soudeur afin d'exposer l'interrupteur ON/OFF.
- Débrancher les fils blanc et noir de cordon d'alimentation qui sont branchés à l'interrupteur ON/OFF.
- Débrancher le fil vert de cordon d'alimentation qui est branché au bâti du soudeur.
- Desserrer la(les) vis de soulagement de tension du cordon et enlever le cordon.
- Installer le nouveau cordon en suivant les instructions à l'envers.

Directives De Soudage

Généralités

Cette série de soudeurs utilise un procédé appelé Soudage À L'Arc Fourré en Flux, Flux Cored Arc Welding (FCAW). Ce procédé utilise un fil tubulaire avec un matériel flux à l'intérieur. La décomposition du flux dans le fil tubulaire fournit la protection.

Quand le courant est produit par un transformateur (machine à souder) et passe à travers du circuit à un fil de soudage, un arc est produit entre le bout du fil à soudage et l'objet de travail. Le métal fondu de la soudure coule dans le cratère fondu et forme une adhérence avec l'objet de travail telle qu'indiquée sur la Figure 12.

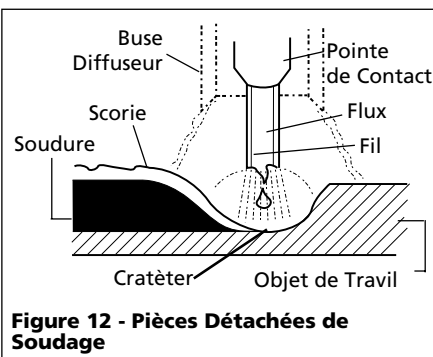


Figure 12 - Pièces Détachées de Soudage

Principes fondamentaux Du Soudage À L'Arc

Il y a cinq méthodes fondamentales qui ont un effet sur la qualité de la soudure; sélection du fil, réglage de chaleur, angle de soudure, vitesse du fil et vitesse de déplacement.

La compréhension de ces méthodes est nécessaire afin d'atteindre une soudure efficace.

RÉGLAGE DE CHALEUR

La chaleur correcte nécessite un ajustement du soudeur au réglage exigé. La chaleur ou la tension est réglée par un interrupteur sur le soudeur. Le réglage de la chaleur utilisé dépend sur la taille (diamètre) et type de fil, position de la soudure, et l'épaisseur de l'objet.

Se référer aux spécifications indiquées sur le soudeur ou sur la table dans la section de Fonctionnement. Il est recommandé que le soudeur pratique avec des morceaux de métal afin d'ajuster les réglages, et comparer les soudures avec le Figure 17.

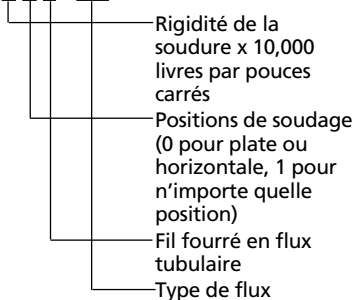
Directives De Soudage (Suite)

TYPE ET TAILLE DE FILS

Le choix correct du fil comprend une variété de facteurs tels que la position de soudage, matériel de l'objet de travail, l'épaisseur, et la condition de la surface. L'American Welding Society, AWS, a organisé certaines exigences pour chaque type de fil.

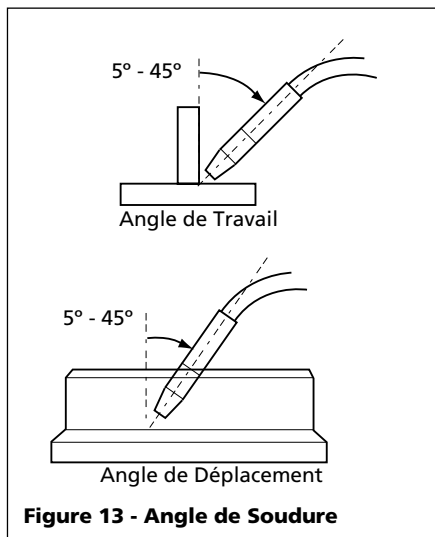
La classification AWS pour fil protégé (Procédé FCAW) est une série de numéros commençant avec la lettre E.

E - 7 0 T - GS



AWS E71T - GS ou E71T - 11 sont recommandés pour ces soudeurs.

ANGLE DE SOUDURE



L'angle de soudure est l'angle de la buse pendant le soudage. L'utilisation de l'angle correct assure la pénétration et la formation du cordon de soudure exigé. L'angle de soudure est très important pour les positions de soudure différentes afin de produire une bonne soudure. L'angle de soudure comprend deux positions - l'angle de déplacement et l'angle de travail.

L'angle de déplacement est l'angle situé dans la ligne de la soudure et peut être

variable de 5° à 45° du vertical selon les conditions de soudage.

L'angle de travail est l'angle de l'horizontal, mesuré aux angles droits à la ligne de soudage. Pour la plupart des applications, un angle de déplacement de 45° et un angle de travail de 45° est suffisant. Pour les usages spécifiques, consulter un manuel de soudage à l'arc.

VITESSE DE FIL - WF2000

La vitesse de fil est réglée par le bouton sur le panneau d'avant. La vitesse doit être "réglée" selon le taux auquel le fil est fondu dans l'arc. Le réglage est une des fonctions critiques du soudage alimenté en fil. Le réglage devrait être effectué sur un morceau de métal d'essai qui est de même type et épaisseur que celui qui doit être soudé. Procéder avec la soudure avec une main "traînant" la buse du pistolet à travers de la pièce d'essai en réglant la vitesse avec l'autre main. Une vitesse trop lente causera du crachement et le fil se brûlera dans la pointe de contact. (Voir Figure 17) Une vitesse trop rapide peut aussi causer un bruit de crachement et le fil s'enfoncera dans la plaque avant de se fondre. Un bruit constant de bourdonnement indique que la vitesse de fil est réglée correctement. Répéter le procédé de réglage chaque fois qu'il y a un changement de réglage de chaleur, diamètre ou type de fil, type de matériel ou épaisseur de l'objet de travail.

VITESSE DE DÉPLACEMENT

La vitesse de déplacement est la vitesse que le fil est dirigé au long de la surface de soudage. Le diamètre et le type de fil à soudage, l'ampérage, position, et épaisseur de l'objet de travail ont tous un effet sur la vitesse de déplacement et peuvent avoir un effet sur la qualité de la soudure (Voir Fig. 17). Si la vitesse est trop rapide, le cordon est étroit et les ondulations du cordon sont pointus comme indiqué. Si la vitesse est trop lente, la soudure se tasse et le cordon est haut et large.

ENLEVAGE DE SCORIE

⚠ AVERTISSEMENT Porter des lunettes protectrices approuvées ANSI (ANSI Standard Z87.1) et des vêtements protecteurs pendant l'enlèvement de la scorie chaude. Le débris chaud et volant peut causer de blessures aux personnes dans l'endroit.

Après d'avoir complété la soudure, attendre que les sections de soudage se refroidissent. Une couche protectrice

appelée scorie couvre le cordon de soudure et empêche la réaction du métal fondu avec les polluants dans l'air. La scorie peut être enlevée une fois que la soudure s'est refroidie et n'est plus rouge. Enlever la scorie avec un marteau à buriner. Frapper la scorie légèrement avec le marteau et la dégager du cordon de soudure. Finir avec une brosse métallique. Enlever la scorie avant chacune des passes multiples.

POSITIONS DE SOUDAGE

Il y a quatre positions de base de soudage; plate, horizontale, verticale, et aérienne. Le soudage dans une position plate est la plus facile. La vitesse peut être augmentée, le métal fondu coule moins, une meilleure pénétration est possible, et le travail est moins fatiguant. Le soudage est effectué avec le fil à un angle de déplacement de 45° et un angle de travail de 45°.

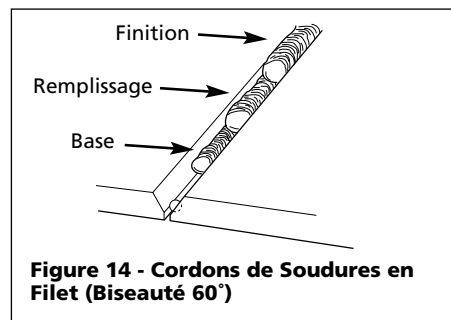
Autres positions exigent autres techniques tels que le tissage, passe circulaire, et jogging. Un niveau de plus grande compétence est exigé pour ces soudures.

La soudure aérienne est la position plus difficile et dangereuse. Le réglage de la chaleur et la sélection du fil est variable selon la position.

Tout le travail devrait être effectué dans la position plate si possible. Pour les applications spécifiques, consulter un manuel technique de soudage.

PASSES DE SOUDAGE

Quelque fois il est nécessaire d'utiliser plus qu'une passe pour remplir le joint (Voir Fig. 14). Si les pièces sont épaisses, il est peut être nécessaire de biseauter les bords qui sont unis à un angle de 60°. Enlever la scorie avant chaque passe.



Directives De Soudage (Suite)

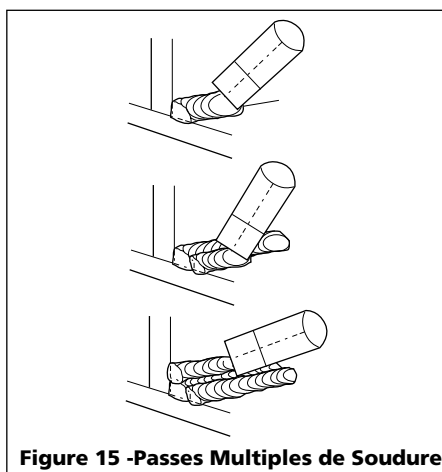


Figure 15 - Passes Multiples de Soudure

TECHNIQUE POUSSER-TIRER

Le type et l'épaisseur de l'objet de travail détermine le placement de la buse du pistolet. Pour les matériaux minces (calibre 18 et plus), pointer la buse en avant de la flaque et **pousser** la flaque à travers l'objet de travail. Pour l'acier plus épais, diriger la buse dans la flaque afin d'augmenter la pénétration de la soudure. Ceci est le technique de coup de revers, technique **tirer** (Voir Figure 16).

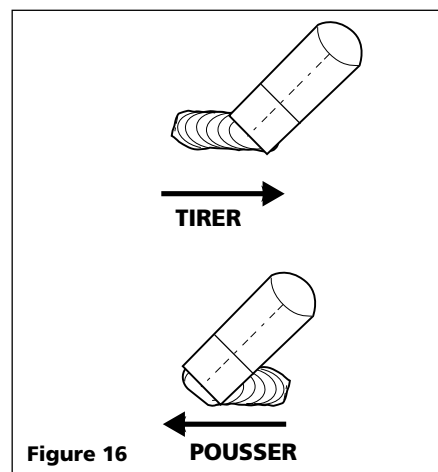


Figure 16

Lexique De Termes De Soudage

Courant Alternatif ou c.a. - courant électrique qui change de direction périodiquement. Le courant à soixante cycles voyage dans les deux directions soixante fois par seconde.

Longueur de L'Arc - La distance du bout de l'électrode jusqu'au point où l'arc contacte la surface de travail.

Métal Commun - le matériel qui doit être soudé.

Joint en Bout - un joint entre deux pièces qui sont alignées approximativement dans le même plan.

Cratère - une flaque ou poche qui est produite quand l'arc contacte le métal.

Courant Continu ou c.c. - courant électrique d'une direction seulement. La polarité (+ ou -) détermine la direction du courant.

Polarité Inversée c.c. - quand le porte-électrode est branché au pôle positif du soudeur. La Polarité Inversée dirige plus de chaleur dans l'électrode plutôt que sur l'objet de travail pour l'utilisation sur les matériaux plus minces.

Polarité Ordinaire c.c. - quand le porte-électrode est branché au pôle négatif du soudeur. Plus de chaleur est dirigée vers l'objet de travail pour meilleur pénétration des matériaux épais.

Électrode - un fil en métal enrobé ayant approximativement la même composition du matériel qui doit être soudé.

Soudure en Cordon - dimension approx. d'un triangle, profil en travers, qui uni les deux surfaces à angles droits en soudure à recouvrement, en T ou en coin.

Flux - un enduit qui produit un gaz protecteur autour de l'endroit de soudage. Ce gaz protège les métaux contre les polluants dans l'air.

Soudure À L'Arc Fourré de Flux - ou Sans-gaz est une méthode de soudage utilisée avec un soudeur à alimentation en fil. Le fil de soudage est tubulaire avec du flux à l'intérieur pour protection.

Soudure À L'arc au chalumeau - est une méthode utilisée avec un soudeur à alimentation en fil. Le fil est solide et un gaz inerte est utilisé pour protection.

Soudure À L'Arc Tungstène au chalumeau - est une méthode de soudage utilisée avec de l'équipement de soudage qui a une génératrice à haute fréquence. L'arc est créé entre un électrode tungstène non-usable et l'objet de travail. Du bouche-pores peut être utilisé.

Soudure à Recouvrement - un joint entre deux pièces en chevauchement.

Tension au Repos - la tension entre l'électrode et le collier de mise à la terre du soudeur quand il n'y a pas de flux de courant (pas de soudage). Ceci détermine la vitesse à laquelle l'arc est amorcé.

Chevauchement - se produit quand l'ampérage est trop basse. En ce cas, le métal fondu tombe de l'électrode sans se fusant dans le métal commun.

Porosité - des soufflures, ou creux formés pendant la solidification de la soudure qui affaiblissent la soudure.

Pénétration - la profondeur que la chaleur affecte l'objet pendant la soudure. Une soudure de haute qualité est celle qui atteint une pénétration de 100%. C'est à dire que l'objet de travail en entier a été chauffé et solidifié à nouveau. Les endroits affectés par la chaleur devraient être visibles sur le sens inverse de la soudure.

Soudure À L'Arc Au Métal Enrobé - est une méthode de soudage qui utilise un électrode usable pour soutenir un arc. L'enduit de flux fondu sur l'électrode fournit la protection.

Scorie - une couche d'encrassement de flux qui protège la soudure des oxydes et autres polluants pendant le refroidissement de la soudure. Enlever la scorie après que la soudure s'est refroidie.

Bavure - particules métalliques volantes qui se refroidissent sur la surface de travail. La bavure peut être diminuée si vous utilisez un agent vaporisateur qui résiste la bavure sur l'objet de travail avant de souder.

Point de Soudure - une soudure utilisée pour tenir les pièces en alignement jusqu'à ce que les soudures actuelles sont faites.

L'Angle de Déplacement - l'angle de l'électrode dans la ligne de soudure. Ceci est variable, de 5° à 45° selon les conditions.

Joint en T - placer le bord d'un morceau de métal sur l'autre à un angle de 90°. **Caniveau** - une condition résultant d'un ampérage trop élevé qui produit une rainure dans le métal commun le long des deux côtés du cordon de soudure et sert à affaiblir la soudure.

Flaque de Soudure - un volume de métal fondu dans une soudure avant sa solidification.

Cordon de Soudage - une(des) couche(s) étroite de métal placé sur le métal commun pendant que l'électrode fond. Le cordon de soudage est typiquement deux fois le diamètre de l'électrode.

Angle de Travail - l'angle de l'électrode à angle droit de la ligne de soudure.

REMARQUE: La largeur (W) du cordon de soudeur devrait être approximativement deux fois le diamètre de la baguette d'électrode utilisée.

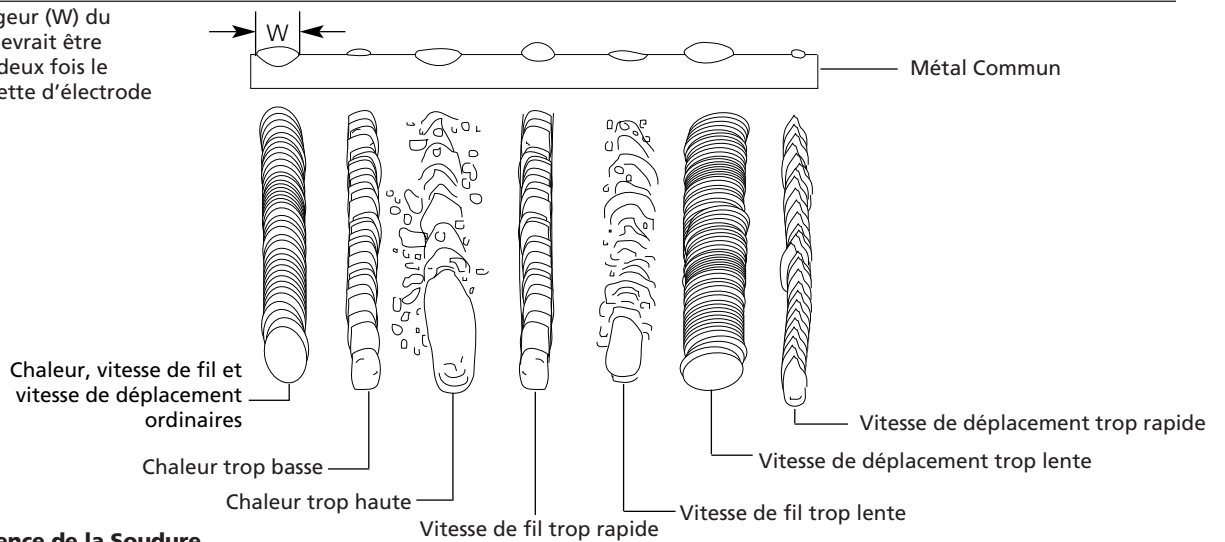


Figure 17 - Apparence de la Soudure

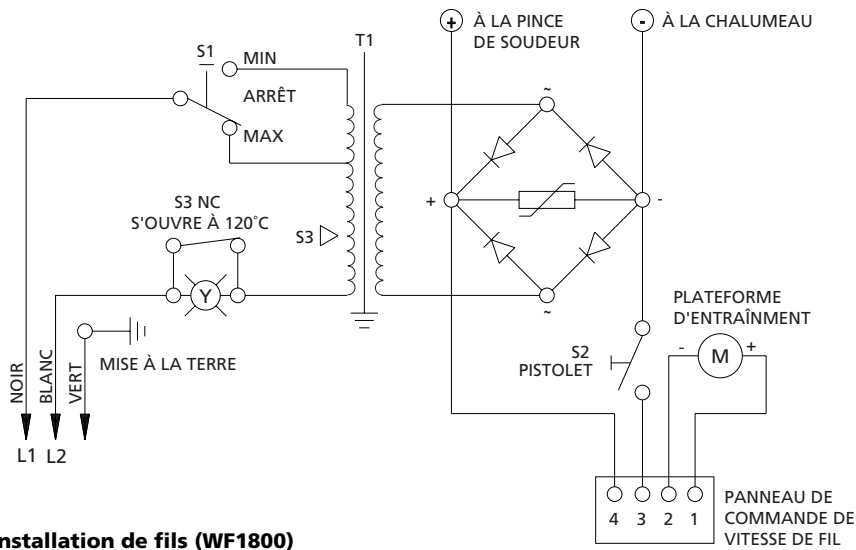


Figure 18 - Schéma d'installation de fils (WF1800)

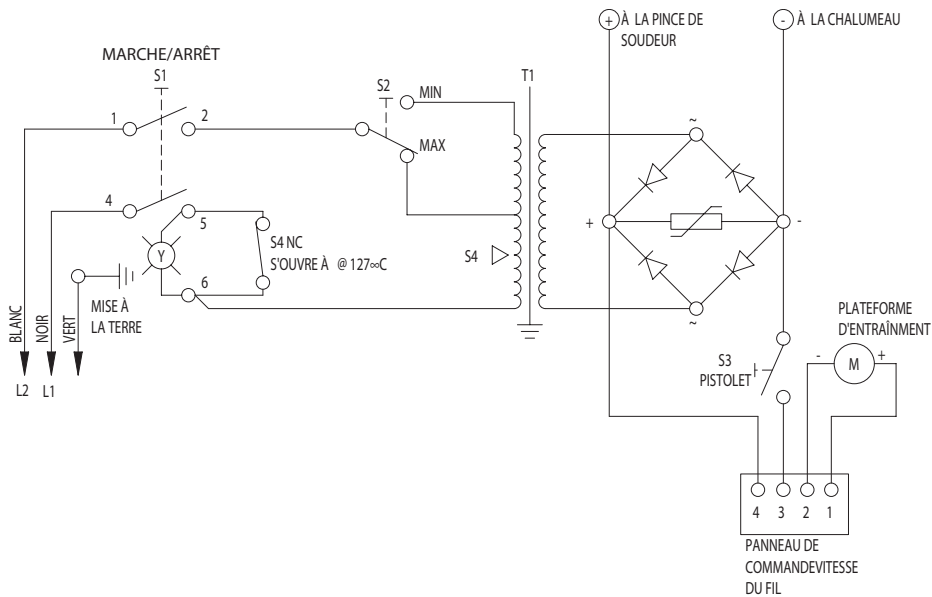


Figure 19 - Schéma d'installation de fils (WF2000)

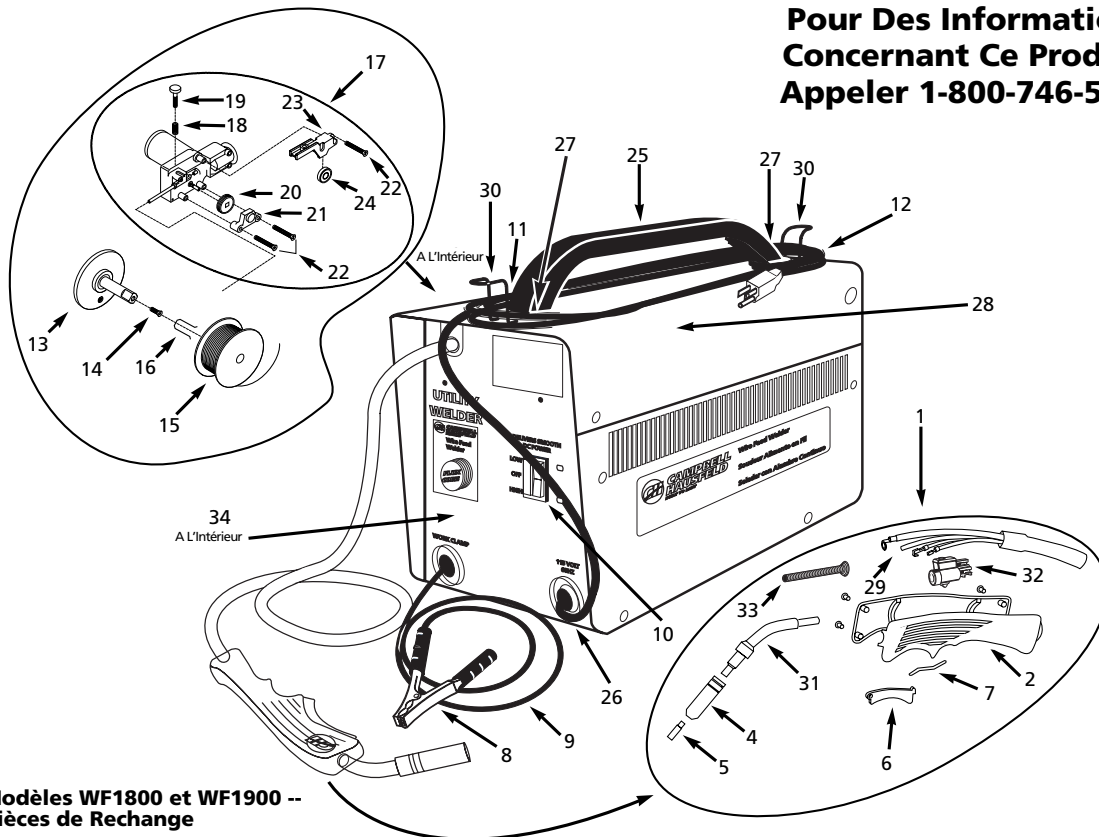
Pour Des Informations Concernant Ce Produit, Appeler 1-800-746-5641
Guide De Dépannage - Soudeur

Symptôme	Cause(s) Possible (s)	Mesures Correctives
Manque de puissance	<ol style="list-style-type: none"> 1. Facteur d'utilisation dépassé 2. Branchement de la pince de soudeur insuffisant 3. Interrupteur ON/OFF défectueux 4. Disjoncteur ou fusible sauté 	<ol style="list-style-type: none"> 1. Permettre que le soudeur se refroidit jusqu'à ce que la lampe de l'indicateur ON/OFF s'éteint 2. S'assurer que tous les raccordements soient sûrs et que la surface d'attache soit propre 3. Remplacer l'interrupteur 4. Réduire la charge sur le circuit, rajuster le disjoncteur ou remplacer le fusible
Le fil s'emmêle au rouleau d'entraînement	<ol style="list-style-type: none"> 1. Tête du pistolet de mauvaise taille 2. Chemise du pistolet obstrué ou endommagé 3. Tête du pistolet obstruée ou endommagée 4. Rouleau d'entraînement usé 5. Tension insuffisante 	<ol style="list-style-type: none"> 1. Utiliser la taille de tête convenable 2. Nettoyer ou remplacer la chemise du pistolet 3. Nettoyer ou remplacer la tête du pistolet 4. Remplacer 5. Serrer la vis de tension
La buse du pistolet fait jaillir un arc à la surface de travail	Scorie dans la buse du pistolet	Nettoyer la scorie de la buse du pistolet
La pince de soudeur et/ou le câble deviennent chauds	Mauvais contacte	S'assurer que tous les raccordements soient sûrs et que les surfaces d'attache soient propres
Le fil ne s'avance pas	<ol style="list-style-type: none"> 1. Fil étranglé 2. À court de fil 3. Tension insuffisante 4. Chemise de fil usée 	<ol style="list-style-type: none"> 1. Recharger le fil 2. Remplacer la bobine de fil 3. Serrer les vis de tension si le fil glisse 4. Remplacer la chemise de fil

Guide De Dépannage - Soudures

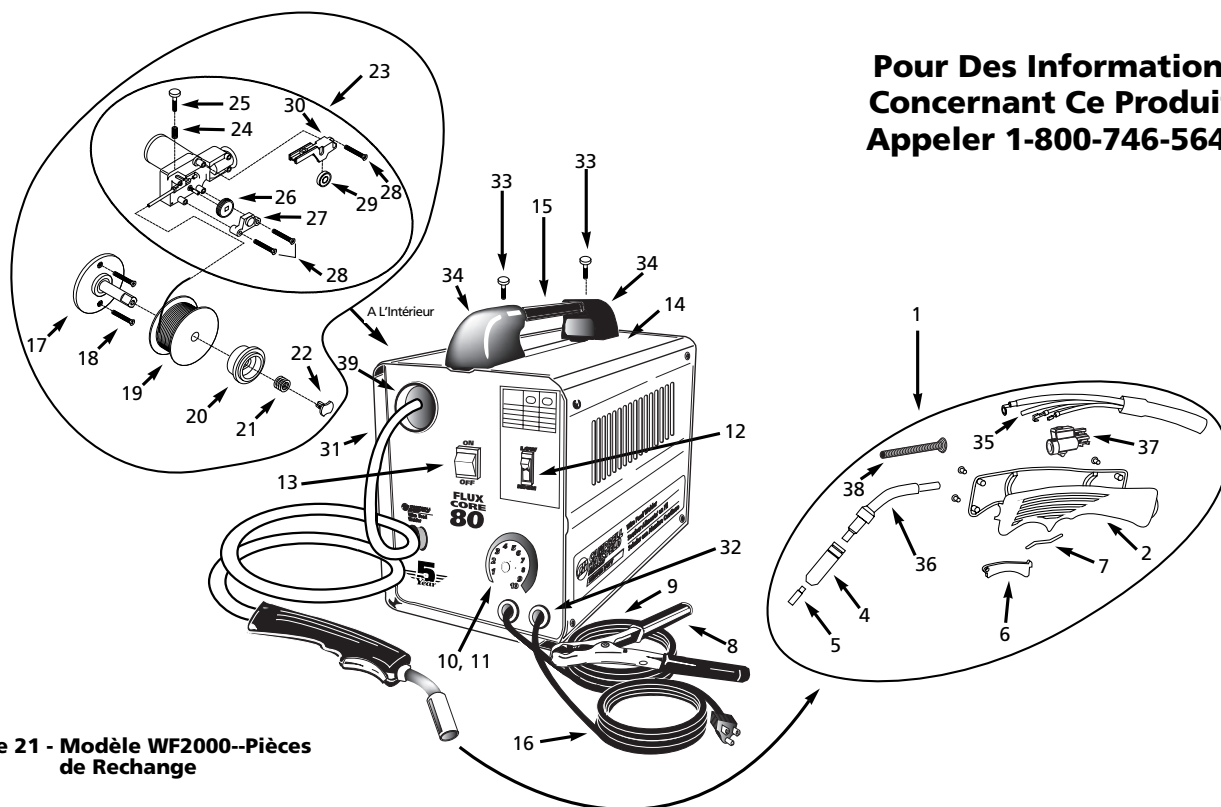
Symptôme	Cause(s) Possible (s)	Mesures Correctives
Cordon de soudure est trop mince par intervalles	<ol style="list-style-type: none"> 1. Vitesse de déplacement irrégulière 2. Réglage de chaleur de sortie trop basse 	<ol style="list-style-type: none"> 1. Diminuer et conserver une vitesse de déplacement constante 2. Augmenter le réglage de chaleur de sortie
Cordon de soudure est trop épais par intervalles	<ol style="list-style-type: none"> 1. Vitesse de déplacement lente et/ou irrégulière 2. Réglage de chaleur de sortie trop haute 	<ol style="list-style-type: none"> 1. Augmenter et conserver la vitesse de déplacement 2. Réduire le réglage de chaleur de sortie
Enfoncements en lambeaux au bord de la soudure	<ol style="list-style-type: none"> 1. Vitesse de déplacement trop rapide 2. Vitesse de fil trop rapide 3. Réglage de chaleur de sortie trop haute 	<ol style="list-style-type: none"> 1. Diminuer la vitesse de déplacement 2. Diminuer la vitesse de fil (WF2000) 3. Réduire le réglage de chaleur de sortie
Le cordon de soudure ne pénètre pas le métal commun	<ol style="list-style-type: none"> 1. Vitesse de déplacement irrégulière 2. Réglage de chaleur de sortie trop basse 3. Cordon prolongateur trop long 	<ol style="list-style-type: none"> 1. Diminuer et conserver une vitesse de déplacement constante 2. Augmenter le réglage de chaleur de sortie 3. Utiliser un cordon prolongateur qui mesure moins de 6 m (20 pi).
Le fil crache et se colle	<ol style="list-style-type: none"> 1. Fil humide 2. Vitesse du fil trop rapide 3. Type de fil incorrect 	<ol style="list-style-type: none"> 1. Utiliser un fil sec et l'entreposer dans un endroit sec 2. Réduire la vitesse du fil 3. Utiliser le fil fourré de flux seulement (N'utilisez pas le fil MIG ni le fil de couleur de cuivre rouge)

**Pour Des Informations
Concernant Ce Produit,
Appeler 1-800-746-5641**



**Figure 20 - Modèles WF1800 et WF1900 --
Pièces de Rechange**

No de Réf	Description	Numéro de Pièce	Qté	No de Réf	Description	Numéro de Pièce	Qté
1	Assemblage du chalumeau et tuyau	WC600900AJ	1	18	Ressort de traction	WC500003AV	1
2	Corps du chalumeau, avant et arrière	WC600201AV	1	19	Vis de tension	WC500002AV	1
3 ▲	Attache du crochet	WC600003AV	1	20	Rouleau, .6 - .9mm	WC500001AV	1
4	Jeu de buse	WT502100AV	1	21	Couvercle du rouleau	WC500004AV	1
5	Pointe de contact - 0.035 po (0,9 mm)	WT501400AV	1	22	Vis de tôle M4.2-1.4 x 35 mm	*	3
	Pointe de contact optionnelle - 0.030 po (0.8 mm) (paquet de 4)	WT501300AJ	†	23	Bras articulé	WC500005AV	1
	Pointe de contact optionnelle - 0.035 po (0.9 mm) (paquet de 4)	WT501400AJ	†	24	Rouleau de bras articulé	WC500007AV	1
6	Gâchette	WC600202AV	1	25	Manche	WC301300AV	1
7	Ressort de contact du chalumeau	WC600203AV	1	26	Soulagement de fatigue	WC102000AV	2
8	Pince de soudeur (Cordon pas compris)	WC100300AV	1	27	Vis de tôle M4.2-1.4 x 10 mm	*	2
9	Câble de soudage 8 AWG (6 pi)	*	1	28	Décalcomanie de sécurité (gauche)	DK670001AV	1
10	Interrupteur Haut/arrêt/bas	WC401000AV	1	29	Chemise, métal enrobé	WC600208AV	1
11	Décalcomanie de sécurité (gauche)	DK670000AV	1	30	Pince de rangement de cordon	WC301301AV	2
12	Cordon d'alimentation 14-3 AWG 1,8 m (6 pi) Type SJT	*	1	31	Cou de cygne avec diffuseur	WC600701AV	1
13	Broche	WC500700AV	1	32	Corp de soupape	WC600204AV	1
14	Vis de tôle M4.8-1.6 x 16 mm	*	1	33	Chemise de Trompette	WC600305AV	1
15	Fil avec noyau de flux optionnel .030 po (0.8 mm), 2 lb.	WE200001AV	†	34 ▲	Panneau de contrôle pour vitesse de fil (à l'intérieur)	WC401600AV	1
	Fil avec noyau de flux optionnel .035 po (0.9 mm), 2 lb.	WE200501AV	†	35 ▲	Casque de soudure (WF1900 seulement)	WT100000AV	1
16	Ressort de broche	WC500701AV	1	36 ▲	Kit de lentilles de rechange - une teintée et deux transparentes	WT110501AV	†
17	Assemblage d'entraînement (Nos. 18 - 24 compris)	WC500000AV	1	37 ▲	Masque (lentille non incluse) (WF1800 seulement)	WC801200AV	1
				38 ▲	Lentilles teintées (pour le masque)	WC801100AV	1
				39 ▲	Brosse/marteau à buriner	WC803000AV	1
				▲	Pas indiqué		
				†	Accessoire optionnel, vendu séparément		
				*	Objet de quincaillerie disponible chez votre magasin de quincaillerie ou de provisions pour soudeur		



**Pour Des Informations
Concernant Ce Produit,
Appeler 1-800-746-5641**

Figure 21 - Modèle WF2000--Pièces de Rechange

No de Réf	Description	Numéro de Pièce	Qté	No de Réf	Description	Numéro de Pièce	Qté
1	Assemblage du chalumeau et tuyau	WC600900AJ	1	21	Ressort de bobine	WC500101AV	1
2	Corps du chalumeau, avant et arrière	WC600201AV	1	22	Moyeu de serrage de bobine	WC500100AV	1
3▲	Attache du crochet	WC600003AV	1	23	Assemblage d'entraînement (Nos.24-30 compris)	WC500000AV	1
4	Buse	WT502100AV	1	24	Ressort de traction	WC500003AV	1
5	Pointe de contact - 0.030 po (0,9 mm)	WT501400AV	1	25	Vis de tension	WC500002AV	1
	Pointe de contact optionnelle - 0.030 po (0,8 mm) (paquet de 4)	WT501300AJ	†	26	Rouleau , .6-.9mm	WC500001AV	1
	Pointe de contact optionnelle - 0.035 po (0,9 mm) (paquet de 4)	WT501400AJ	†	27	Couvercle du rouleau	WC500004AV	1
6	Gâchette	WC600202AV	1	28	Vis de tôle M4.2-1.4 x 35 mm	*	3
7	Ressort de contact du chalumeau	WC600203AV	1	29	Rouleau de bras articulé	WC500007AV	1
8	Pince de soudeur (Cordon pas compris)	WC100300AV	1	30	Bras articulé	WC500005AV	1
9	Câble de soudage 8 AWG (6 pi)	*	1	31	Panneau de bord	WC700000AV	1
10	Bouton de vitesse de fil	WC400201AV	1	32	Soulagement de fatigue	WC102000AV	2
11▲	Panneau de contrôle de vitesse de fil (à l'intérieur)	WC402100AV	1	33	Vis à métaux M8 -1.25 x 20 mm	*	2
12	Interrupteur Bas/Haut (Low/high)	WC400300AV	1	34	Capuchons de manche	WC300101AV	2
13	Interrupteur On/off	WC400000AV	1	35	Chemise, métal enrobé	WC600208AV	1
14	Décalcomanie de sécurité	DK670100AV	1	36	Cou de cygne avec diffuser	WC600701AV	1
15	Manche	WC300100AV	1	37	Corp de soupape	WC600204AV	1
16	Cordon d'alimentation 14-3 AWG (6 pi) Type SJT	*	1	38	Chemise de Trompette	WC600305AV	1
17	Broche de bobine	WC500300AV	1	39	Bague de chalumeau	WC600009AV	1
18	Vis de tôle M4.8-1.6 x 10 mm	*	2	40▲	Masque (lentille non incluse)	WC801300AV	1
19	Fil avec noyau de flux optionnel .030 po (0,8 mm)			41▲	Lentille teintée (pour le masque)	WC801100AV	1
	0,9072 kg (2 lbs.)	WE200001AV	†	42▲	Brosse/marteau à buriner	WC803000AV	1
	4,536 kg (10 lbs.)	WE201000AV	†				
	Fil avec noyau de flux optionnel .030 po (0,9 mm)						
	0,9072 kg (2 lbs.)	WE200501AV	†				
	4,536 kg (10 lbs.)	WE201500AV	†				
20	Adaptateur de bobine	WC500200AV	1				

▲ Pas indiqué

† Accessoire optionnel, vendu séparément

* Objet de quincaillerie disponible chez votre magasin de quincaillerie ou de provisions pour soudeur

Garantie Limitée 5-3-1

1. Durée: Le fabricant garantit la réparation, sans frais pour les pièces et main-d'oeuvre, le Soudeur, le Pistolet Soudeur ou Câbles qui se sont révélés défectueux en matière ou fabrication, pendant les durées suivantes après la date d'achat initial:

Pour 5 Ans: Le Transformateur de Soudeur et Redresseur

Pour 3 Ans: Le Soudeur En Entier (à l'exclusion des colliers, pistolet, porte-électrode, câbles, ou accessoires emballés avec le soudeur)

Pour 1 An: Pincés de Soudeur, Pistolet MIG, Porte-électrode, Accessoires, et Câbles de Soudage (si applicable)

2. Garantie Accordée Par (Garant):

Campbell Hausfeld

The Scott Fetzer Company

100 Production Drive

Harrison, OH 45030

Telephone: (513)-367-4811

3. Bénéficiaire De Cette Garantie (Acheteur): L'acheteur initial du produit Campbell Hausfeld .

4. Couverture De La Présente Garantie: Défauts de matière et de fabrication qui se révèlent pendant la période de validité de la garantie. Cette garantie comprend le Soudeur, le Transformateur du Soudeur et Redresseur, Pistolet du Soudeur ou le Porte-Électrode, et câbles seulement.

5. La Présente Garantie Ne Couvre Pas:

A. Les garanties implicites, y compris celles de commercialisabilité et D'ADAPTION À UNE FONCTION PARTICULIÈRE SONT LIMITÉES EN DURÉE À CETTE GARANTIE. Après cette durée, tout risques de perte, quoi que ce soit, devient la responsabilité de l'acheteur. Certaines Provinces n'autorisent pas de limitations de durée pour les garanties implicites. Les limitations précédentes peuvent donc ne pas s'appliquer.

B. TOUT DOMMAGE, PERTE OU DÉPENSE FORTUIT OU INDIRECT POUVANT RÉsulTER DE TOUT DÉFAUT, PANNE OU MAUVAIS FONCTIONNEMENT DU PRODUIT CAMPBELL HAUSFELD. Certaines Provinces n'autorisent pas l'exclusion ni la limitation des dommages fortuits ou indirects. La limitation ou exclusion précédente peut donc ne pas s'appliquer.

C. Les accessoires qui sont compris avec le produit et qui sont soumis à l'usure par l'usage normal; la réparation ou le remplacement de ces objets sont la responsabilité de l'acheteur. Ces pièces MIG comprennent, mais ne sont pas limités à; Pointes De Contact, Buses, Doublures de Pistolet, Rouleaux D'Entraînement, Nettoyant pour Fil en Feutre. Additionnellement, cette garantie ne comprend pas le dommage causé par le remplacement ou entretien prématuré des pièces USABLES précédentes.

D. Toute panne résultant d'un accident, d'une utilisation abusive, de la négligence ou d'une utilisation ne respectant pas les instructions données dans le(s) manuel(s) accompagnant le produit.

E. Service avant livraison, i.e. montage et ajustement.

7. Responsabilités Du Garant Aux Termes De Cette Garantie: Réparation ou remplacement, au choix du Garant, des produits ou pièces qui se sont révélés défectueux pendant la durée de validité de la garantie.

8. Responsabilités De L'Acheteur Aux Termes De Cette Garantie:

A. Livraison ou expédition du produit ou pièce Campbell Hausfeld à Campbell Hausfeld. Taux de frais , si applicable, sont la responsabilité de l'acheteur.

B. Utilisation et entretien du produit avec un soin raisonnable, ainsi que le décrit le(s) manuel(s) d'utilisation.

9. Réparation ou Remplacement Effectué Par Le Garant Aux Termes De La Présente Garantie: La réparation ou le remplacement sera prévu et exécuté en fonction de la charge de travail dans le centre d'entretien et dépendra de la disponibilité des pièces de rechange.

Cette garantie limitée confère des droits précis. L'acheteur peut également jouir d'autres droits qui varient d'une Province à l'autre.

Sírvase leer y guardar estas instrucciones. Lea con cuidado antes de tratar de armar, instalar, manejar o darle servicio al producto descrito en este manual. Protéjase Ud. y a los demás observando todas las reglas de seguridad. El no seguir las instrucciones podría resultar en heridas y/o daños a su propiedad. Guarde este manual como referencia.



**CAMPBELL
HAUSFELD™**
BUILT TO LAST

Soldadora Con Arco Con Alambre Continuo

Descripción

Los modelos WF1800 y WF2000 de Campbell Hausfeld son soldadoras con arcos eléctricos, monofásicas de 70 amp, 115 volt input. El modelo WF2000 está equipado con un dispositivo para controlar la velocidad de alimentación del alambre que le permite seleccionar la velocidad adecuada para diferentes tipos de soldaduras. Las piezas internas están protegidas por un protector térmico.

Esta soldadora está diseñada para el uso en procesos de proceso de soldar con arcos con fundente revestido. Al salir de la fábrica, esta soldadora le permite soldar con alambres de 0,030" (0,8mm) ó 0,035" (0,9mm) de diámetro. Se incluye un carrete inicial de alambre.

POLARIDAD

Los soldadores están ajustados para DCEN, corriente directa de electrodo negativo.

CICLO DE TRABAJO / PROTECCION TERMICA

El ciclo de trabajo de la soldadora es el porcentaje de tiempo que se está soldando durante un intervalo de 10 minutos. Por ejemplo, con un ciclo de trabajo de 10%, podrá soldar por un minuto y después la soldadora deberá enfriarse por nueve minutos.

Esta soldadora tiene un protector térmico automático para evitar que las piezas internas se sobrecalienten. **Al exceder el ciclo de trabajo una luz amarilla se encenderá en la tapa frontal.** Podrá continuar soldando cuando la luz amarilla se apague.

PARA UTILIZARLA PARA SOLDAR CON GASES INERTES

El modelos WF1800/WF1900 **NO** puede utilizarse para soldar con gases inertes (MIG). Llame al 1-800-746-5641, en EEUU, para ordenar el juego de piezas (WT600400AJ) para utilizar el modelo WF2000 con gases inertes.

Para Desempacar

Todos los accesorios para soldar con esta soldadora están dentro del

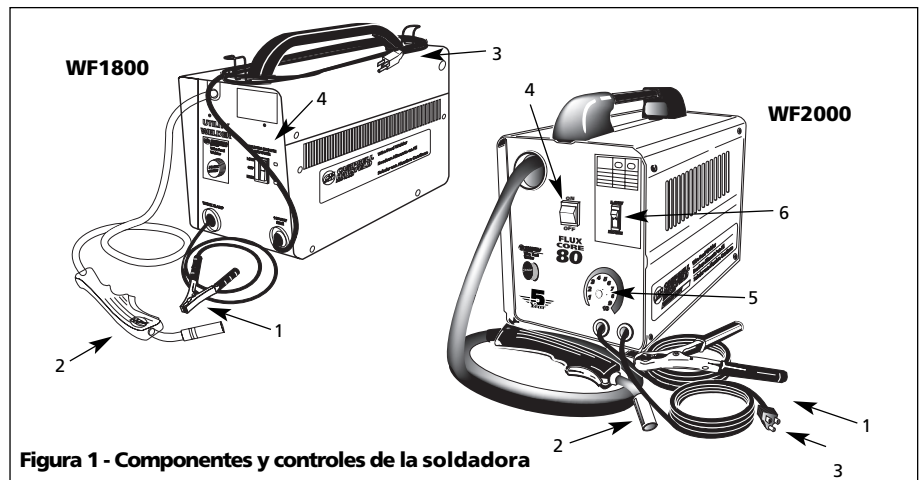


Figura 1 - Componentes y controles de la soldadora

compartimiento para almacenar el alambre. Levante y/o quite la tapa de la alimentación de alambre para encontrar el mango, la grapa de trabajo, etc. Al desempacar este producto, revíselo con cuidado para cerciorarse de que esté en perfecto estado. Igualmente, cerciórese de apretar todos los pernos, tuercas y conexiones antes de usarlo.

Requerimientos Eléctricos

PRECAUCION Este equipo requiere un circuito de 115 voltios para servirlo. Vea la tabla a continuación donde se le explica el tipo de cortacircuitos o fusibles necesarios. Nunca conecte otros artefactos, lámparas o herramientas al mismo circuito donde está conectado la soldadora. No le recomendamos el uso de cordones de extensión. Si no sigue esta recomendación podría activarse el cortacircuitos o quemarse los fusibles.

Nivel Seleccionado	Cortacircuito o Fusible de acción retardada
Bajo	15 amp
Alto	20 amp

Vea las instrucciones para reemplazar el cordón eléctrico en la página 6.

Componentes y Controles WF1800/WF1900

1. Pinza para conectar a la pieza de trabajo - conéctela a la pieza de trabajo.
2. Pistola con boquilla de .035" (0,9 mm).
3. Cordón eléctrico - conéctelo a un tomacorrientes de 115 voltios.
4. Interruptor de 3 posiciones Bajo/Apagado/Alto - Fijelo según el grosor del meta. Automáticamente controla la velocidad de alimentación del alambre. Una luz se enciende si el termostato ha apagado automáticamente la unidad.

WF2000

1. Pinza para conectar a la pieza de trabajo - conéctela a la pieza de trabajo.
2. Pistola con boquilla de .035" (0,9 mm).
3. Cordón eléctrico - conéctelo a un tomacorrientes de 115 voltios.
4. Interruptor - se ilumina cuando el termostato ha apagado la unidad automáticamente.
5. Perilla para controlar la velocidad - Gírela en el mismo sentido de las agujas del reloj para aumentar la velocidad de alimentación del alambre y en el sentido contrario para disminuirla.
6. Control de nivel - Para seleccionar el amperaje. Puede seleccionar dos niveles; Bajo (low) y alto (high).

Seguridad General

⚠ PELIGRO

Esto le indica una situación que le ocasionará lesiones graves o la muerte si ignora lo advertido.

⚠ ADVERTENCIA

Esto le indica una situación que podría ocasionarle lesiones graves o la muerte si ignora lo advertido.

⚠ PRECAUCION

Esto le indica una situación que puede ocasionarle lesiones si ignora lo advertido. También le puede indicar una situación que ocasionaría daños a su propiedad solamente.

Nota: le indica cualquier otra información adicional en relación al producto o su uso adecuado.

⚠ ADVERTENCIA

Siempre mantenga un extinguidor de incendio accesible cuando esté soldando con arcos eléctricos.



- Antes de encender o darle servicio a las soldadoras eléctricas con arco, debe leer y comprender todas las instrucciones. El no seguir las advertencias o instrucciones que le damos en este manual le podría ocasionar daños al equipo, y/o heridas graves e inclusive la muerte. Para recibir mayor información, solicite una copia del estándar Z49.1 de la ANSI Titulado - Seguridad al soldar y cortar. Esta publicación la puede ordenar a la American Welding Society, 550 NW LeJune Rd., Miami, FL 33135.
- La instalación, mantenimiento, reparación y operación de esta soldadora debe ser hecho por una persona calificada según los códigos nacionales, estatales y locales.

⚠ ADVERTENCIA

!El uso inadecuado de soldadoras eléctricas de arco podría ocasionarle electrocutamiento, heridas y la muerte! Siguiendo nuestras advertencias reducirá las posibilidades de electrocutamiento.



- Cerciórese de que todos los componentes de la soldadora con arco estén limpios y en buen estado antes de utilizarla. Cerciórese de que los aislantes en todos los cables, pinzas para sostener electrodos y cordones eléctricos no estén dañados. Siempre repare o reemplace las piezas dañadas antes de utilizarla. Siempre mantenga todas las tapas de la soldadora en su lugar mientras la esté utilizando.
- Siempre use ropa adecuada y que esté seca, guantes para soldadores y zapatos aislantes.
- Use la soldadora sólo en áreas limpias, secas y bien ventiladas. No

la use en áreas húmedas, mojadas, a la intemperie o que no estén bien ventiladas.

- Antes de comenzar a soldar cerciórese de que la pieza esté bien fija y conectada a tierra.
- Debe desenrollar el cable para soldar para evitar que se sobrecaliente y se le dañe el forro aislante.

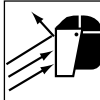
⚠ PELIGRO

!Nunca sumerja en agua el electrodo o la pinza para sostenerlo. Si la soldadora se moja por cualquier motivo, cerciórese de que esté completamente seca antes de tratar de usarla!

- Antes de tratar de tratar de moverla a otro sitio siempre apágela y desconéctela.
- Siempre conecte la pinza a la pieza de trabajo primero.
- Cerciórese de que la conexión a tierra esté bien hecha.
- Siempre apague la soldadora cuando no la esté usando y corte el exceso de alambre de la pistola.
- Nunca toque el alambre y la tierra o pieza conectada a tierra al mismo tiempo.
- Las posiciones poco comunes le pueden ocasionar peligro de electrocutamiento. Al estar en cuclillas, arrodillado o en alturas, cerciórese de aislar todas las piezas que puedan conducir electricidad, use ropa adecuada par soldar y tome precauciones para no caerse.
- Nunca trate de usar este equipo con corrientes eléctricas o ciclajes diferentes a los especificados en las etiquetas.
- Nunca use una soldadora eléctrica para descongelar tuberías que se hayan congelado.

⚠ ADVERTENCIA

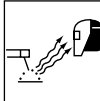
Las chispas y el metal caliente le pueden ocasionar heridas. Cuando la pieza que soldó se enfríe la escoria podría despegarse. Tome todas las precauciones descritas en este manual para reducir las posibilidades de que sufra heridas por estas razones.



- Sólo use máscaras aprobadas por la organización norteamericana ANSI o anteojos de seguridad con protección lateral al tratar de cortar o esmerilar piezas de metal.
- Si va a soldar piezas que estén por encima de usted debe protegerse los oídos para evitar que le caigan residuos adentro.

⚠ ADVERTENCIA

Al soldar con arcos eléctricos se producen luces intensas, calor y rayos ultravioletas. Estos le podrían ocasionar heridas en la vista y la piel. Tome todas las medidas de precaución descritas en este manual para reducir las posibilidades de heridas en la vista o la piel.



- Todas las personas que operen este equipo o estén en el área de trabajo

mientras se esté usando el equipo deben usar vestimenta de protección para soldadores incluyendo: casco para soldadores o máscara con lentes oscuros por lo menos número 10, ropa resistente al fuego, guantes de cuero para soldar y protección total en los pies.

⚠ PRECAUCION

El cable para soldar tiene tensión eléctrica cuando la soldadora está encendida- no importa que el gatillo esté o no esté oprimido.

⚠ ADVERTENCIA

Nunca mire hacia el área donde esté soldando sin protegerse la vista tal como se ha descrito anteriormente. Nunca use lentes oscuros que estén partidos, rotos o de un número menor a 10. Debe advertirle a otras personas en el área que no deben mirar el arco.

⚠ ADVERTENCIA

!Al soldar con arcos eléctricos puede causar chispas y calentar el metal a temperaturas que le podrían ocasionar quemaduras graves! Use guantes y ropa de protección para hacer este tipo de trabajo. Tome todas las medidas de precaución descritas en este manual para reducir las posibilidades de quemarse la piel o la ropa.



- Cerciórese de que todas las personas que se encuentren en el área de trabajo estén protegidas contra el calor, las chispas, y los rayos ultravioletas. Igualmente debe utilizar protecciones adicionales cuando sea necesario.
- Nunca toque las piezas que ha soldado hasta que éstas se hayan enfriado.

⚠ ADVERTENCIA

!El calor y las chispas producidas al soldar con arcos eléctricos y otros trabajos con metales podrían encender materiales inflamables o explosivos! Tome todas las medidas de precaución descritas en este manual para reducir las posibilidades de llamas o explosiones.



- Mueva todos los materiales inflamables que se encuentren en un radio de 10,7 metros (35 pies) del arco de soldadura. Si no lo puede hacer, deberá cubrirlos con algún material que sea aislante contra el fuego.
- No use una soldadora eléctrica con arco en áreas donde pueda haber vapores inflamables o explosivos.
- Tome todas las precauciones necesarias para evitar que las chispas y el calor ocasionen llamas en áreas poco accesibles, ranuras, detrás de divisiones, etc.

⚠ ADVERTENCIA

!Peligro de incendio! Nunca debe soldar envases o tuberías que contengan o hayan contenido materiales inflamables o combustibles gaseosos o líquidos.

Seguridad General (Continuación)

ADVERTENCIA

!Al soldar con arcos eléctricos cilindros cerrados o tambores podría ocasionar explosiones si no están bien ventilados! Cerciórese de que cualquier cilindro o envase que vaya a soldar tenga un orificio de ventilación para que los gases puedan liberarse.



ADVERTENCIA

No debe respirar los gases emitidos al soldar con arcos eléctricos. Estos son peligrosos. Si no puede ventilar bien el área de trabajo, deberá usar un respirador.



- Mantenga la cabeza y la cara alejada de los gases emitidos.
 - No debe soldar con arcos eléctricos metales galvanizados o con capa de cadmio, o aquellos que contengan zinc, mercurio o berilio sin tomar las siguientes precauciones:
 - a. Quitarle la capa al metal.
 - b. Cerciorarse de que el área de trabajo esté bien ventilada.
 - c. Usar un respirador.
- Estos metales emiten gases sumamente tóxicos al calentarse.

ADVERTENCIA

El campo electromagnético generado al soldar con arcos eléctricos podría interferir con el funcionamiento de varios artefactos electrónicos y electrónicos tales como marcapasos. Aquellas personas que usen estos artefactos le deben consultar a su médico antes de soldar con arcos eléctricos.



- Coloque la pistola y los cables en la misma línea y unalos con cinta pegante cuando sea posible.
- Nunca se enrolle los cables de la soldadora en el cuerpo.
- Siempre coloque los electrodos y las conexiones a la pieza de trabajo del mismo lado.
- El exponerse a campos electromagnéticos al soldar con arcos eléctricos le podría ocasionar otros problemas de salud desconocidos hasta el momento.

ADVERTENCIA

Cerciórese de que el área de trabajo este libre de peligros (chispas, llamas, metales al rojo o escorias) antes de irse. Cerciórese de que ha apagado la soldadora y le ha quitado el electrodo. Cerciórese de que los cables estén enrollados y almacenados. Cerciórese de que tanto el metal como la escoria se hayan enfriado.

MEDIDAS DE SEGURIDAD ADICIONALES

Aquellas personas que vivan y trabajen en los Estados Unidos deben percatarse de que según las leyes de este país los siguientes códigos aplican para el trabajo con soldadoras: ANSI Standard Z49.1, OSHA 29 CFR 1910, NFPA Standard 70,

CGA Pamphlet P-1, CSA Standard W117.2, NFPA Standard 51B ANSI Standard Z87.1. Aquellas personas que residan en países latinoamericanos deben consultar los códigos y regulaciones que se apliquen en sus respectivos países.

Instalación

LUBRICACION

Al seleccionar una ubicación adecuada puede aumentar el rendimiento y la fiabilidad de la soldadora con arcos eléctricos.

- Para obtener mejores resultados debe colocar la soldadora en un área que esté limpia y seca. No la coloque en áreas muy calientes, o que estén expuestas a mucha humedad, polvo o gases corrosivos. El exceso de humedad ocasiona que ésta se condense en las piezas eléctricas. La humedad puede contribuir al óxido y cortocircuito. El polvo y las impurezas en la soldadora acumulan la humedad y aumenta el desgaste de las piezas que se mueven.
- Coloque la soldadora en un área donde haya por lo menos 12 pulgadas (305mm) de espacio para ventilación tanto al frente como en la parte posterior de la unidad. Esta área de ventilación se debe mantener libre de obstrucciones.
- Guarde el alambre con núcleo de fundente en una ubicación limpia y seca y con baja humedad para reducir la oxidación.
- El tomacorrientes que use para conectar la soldadora debe estar conectado a tierra adecuadamente y la soldadora debe ser el único artefacto conectado a este circuito. Vea la tabla de Circuitos Amperios en la página 1 donde se le da la capacidad correcta del circuito.
- No es recomendable que use un cordón de extensión con este tipo de soldadoras. La baja de voltaje en el cordón de extensión podría reducir el rendimiento de la soldadora.

Ensamblaje - WF1800/WF1900

Todos los accesorios para soldar con esta soldadora están dentro del compartimiento para almacenar el alambre. Levante la tapa de la alimentación de alambre para encontrar el mango, la grapa de trabajo, etc.

Ensamblaje del Mango

1. Coloque el ensamblaje del mango en la soldadora y cuadre los dos orificios en los extremos con los orificios con roscas de la cubierta de la soldadora.
2. Introduzca los tornillos a través de los orificios en los extremos del mango y la unidad.

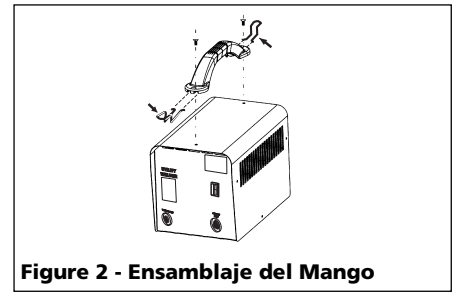


Figure 2 - Ensamblaje del Mango

3. Introduzca los sujetadores de almacenamiento del cordón en los extremos de las manijas.

Como Ensamblar el Eje

1. Destape el panel para tener acceso al sistema de alimentación del alambre.
2. Alinee el orificio del eje y la ranura con los de la soldadora.
3. Introduzca el tornillo a través del eje y el orificio de la soldadora.
4. Instale el resorte en la parte superior del pivote.

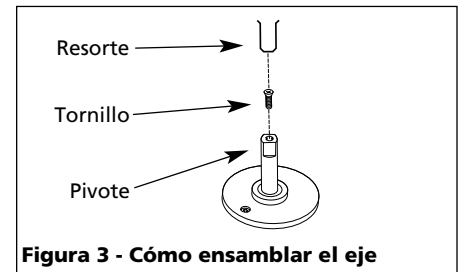


Figura 3 - Cómo ensamblar el eje

Instalacion del alambre

ADVERTENCIA

Los terminales, el rollo de alambre, las pinzas de conexión a la pieza de trabajo, la conexión del cable de la pistola y el alambre para soldar podrían tener tensión inclusive cuando el interruptor de la pistola esté desactivado. No los toque cuando la soldadora esté encendida.

Nota: Antes de instalar el alambre de soldar, asegúrese de que el diámetro de éste coincida con la ranura en la bobina del mecanismo de alimentación de alambre y que el tamaño del alambre coincida con la punta de contacto en el extremo de la pistola (vea la Figura 5). Cualquier desigualdad puede provocar que el alambre resbale, se trabe o suelde mal.

Tamaño de los alambres	
Pulgadas	mm
0,030	0,8

0,035	0,9
-------	-----

Tamaños de las Boquillas de Contacto

Tamaño	Diámetro del alambre
0,8	0,8 mm
0,9	0,9 mm

Ensamblaje - WF1800/WF1900 (Continuación)

1. Cerciórese de que la soldadora esté apagada y levántele la tapa para tener acceso al mecanismo de alimentación.
2. Afloje el tornillo que le suministra tensión al alambre en el mecanismo. Ésto le permite meter con la mano el alambre en la pistola.
3. Coloque el carrete de alambre en el eje de modo que salga por el extremo más cercano al tubo de alimentación. No corte el alambre todavía. Instale el separador, resorte y la manilla girándolo 1/4 en el mismo sentido de las agujas del reloj.
4. Sostenga el alambre y córtelo el extremo. No permita que el alambre se desenrolle. Cerciórese de que éste esté derecho y sin marcas.
5. Coloque el alambre a través del tubo de alimentación, la ranura de la bobina y la pistola. Apriete el tornillo de tensión hasta que haya calzado. No la apriete en exceso. Colóquela la tapa a la soldadora.

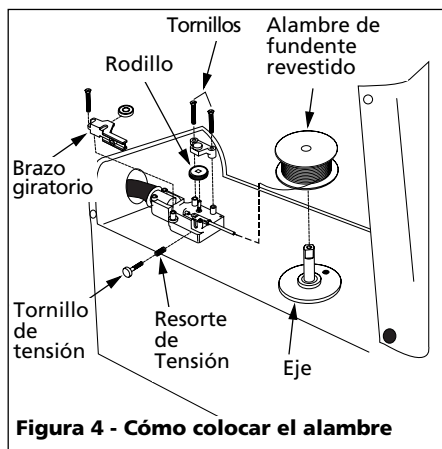


Figura 4 - Cómo colocar el alambre

6. Remueva la boquilla girándola en el sentido de las manillas del reloj cuando se tira de ella hacia afuera. Luego desenrosque la punta de contacto desde el extremo del soplete. (Vea la Figura 5). Conecte la soldadora a un tomacorrientes adecuado.

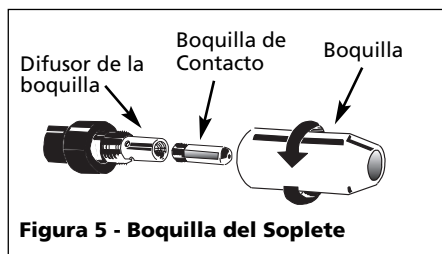


Figura 5 - Boquilla del Soplete

7. Encienda la soldadora, fije la velocidad de alimentación del alambre al Máximo, y active el interruptor de la pistola hasta que el alambre haya salido por la boquilla del soplete. Apague la soldadora.
8. Cuidadosamente coloque la boquilla de contacto sobre el alambre y atorníllela al extremo del soplete. Instale la boquilla girándola en el

sentido de las manillas del reloj y empújela. (Vea la Figura 5). Corte el alambre aproximadamente 6,4mm del extremo de la boquilla.

Ensamblaje - WF2000

Todos los accesorios para soldar con esta soldadora están dentro del compartimiento para almacenar el alambre. Destápelo para sacar el mango, la pinza de conexión a la pieza de trabajo, etc.

ENSAMBLAJE DEL MANGO

1. Colóquelo los extremos de plástico al mango tal como se muestra en la Fig. 6.

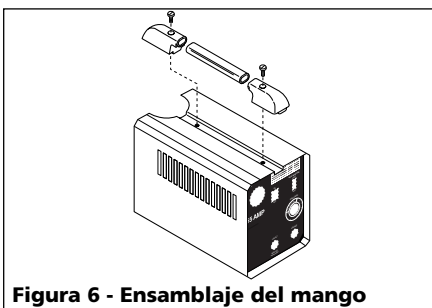


Figura 6 - Ensamblaje del mango

2. Coloque el mango en la soldadora y alinee los dos orificios de los extremos de plástico con los orificios con rosca en la cubierta de la soldadora.
3. Coloque los tornillos.

PINZA DE CONEXION A LA PIEZA DE TRABAJO

1. Afloje el perno hex de la pinza.
2. Deslice el cordón (marcado WORK en la tapa frontal de la soldadora) a través del mango de la pinza y el cable pelado debajo de la pinza. Apriete el perno hex y cerciórese que el cable pelado esté bien sujeto (Vea la Figura 7).

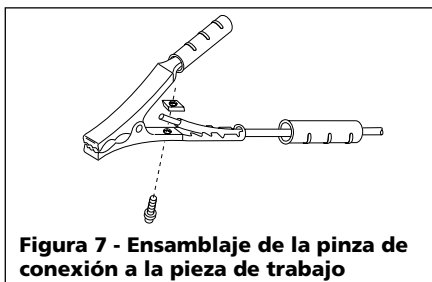


Figura 7 - Ensamblaje de la pinza de conexión a la pieza de trabajo

Instalación del alambre

ADVERTENCIA *Los terminales, el rollo de alambre, las pinzas de conexión a la pieza de trabajo, la conexión del cable de la pistola y el alambre para soldar podrían tener tensión inclusive cuando el interruptor de la pistola esté desactivado. No los toque cuando la soldadora esté encendida.*

Nota: Antes de instalar el alambre de soldar, asegúrese de que el diámetro de éste coincida con la ranura en la bobina del mecanismo de alimentación de alambre y que el tamaño del alambre coincida con la punta de contacto en el extremo de la pistola (vea la Figura 5). Cualquier desigualdad puede provocar que el alambre resbale, se trabe o suelde mal.

Tamaño de los alambres	
Pulgadas	mm
0,030	0,8
0,035	0,9

Tamaños de las Boquillas de Contacto	
Tamaño	Diámetro del alambre
0,8	0,8 mm
0,9	0,9 mm

1. Cerciórese de que la soldadora esté apagada y levántele la tapa para tener acceso al mecanismo de alimentación.
2. Para desactivarle el seguro al carrete, oprímalo y gírelo en sentido contrario a las agujas del reloj 1/4. Ahora puede sacarle la perilla, el resorte y el separador.
3. Afloje el tornillo que le suministra tensión al alambre en el mecanismo. Ésto le permite meter con la mano el alambre en la pistola.

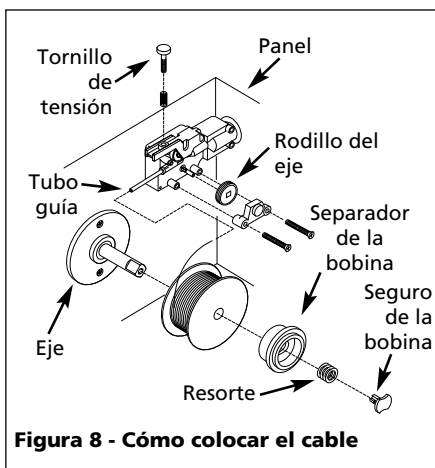


Figura 8 - Cómo colocar el cable

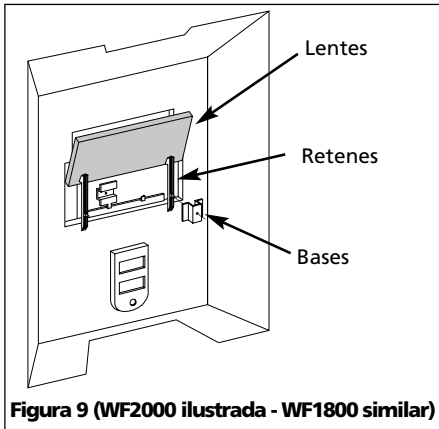
4. Coloque el carrete de alambre en el eje de modo que salga por el extremo más cercano al tubo de alimentación. No corte el alambre todavía. Instale el separador, resorte y la manilla girándolo 1/4 en el mismo sentido de las agujas del reloj.
5. Sostenga el alambre y córtelo el extremo. No permita que el alambre se desenrolle. Cerciórese de que éste esté derecho y sin marcas.

Ensamblaje - WF2000 (Continuación)

- Coloque el alambre a través del tubo de alimentación, la ranura de la bobina y la pistola. Apriete el tornillo de tensión hasta que haya calzado. No la apriete en exceso. Colóquela la tapa a la soldadora.
- Remueva la boquilla girándola en el sentido de las manillas del reloj cuando se tira de ella hacia afuera. Luego desenrosque la punta de contacto desde el extremo del soplete. (Vea la Figura 5). Conecte la soldadora a un tomacorrientes adecuado.
- Encienda la soldadora, fije la velocidad de alimentación del alambre al Máximo. Active el interruptor de la pistola hasta que el alambre haya salido por el extremo del soplete. Apague la soldadora.
- Cuidadosamente coloque la boquilla de contacto sobre el alambre y atornillela al extremo del soplete. Instale la boquilla girándola en el sentido de las manillas del reloj y empújela. (Vea la Figura 5). Corte el alambre aproximadamente 6,4mm del extremo de la boquilla.

Ensamblaje de la Mascara WF1800

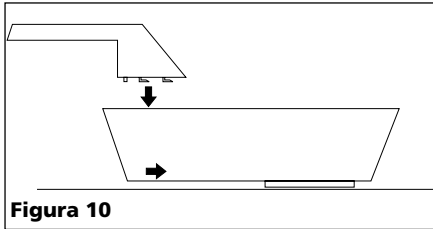
- Corte los soportes y de la máscara. Corte el exceso de plástico para emparejar los bordes.
- Coloque los filtros.
- Conecte los soportes a los pasadores de los retenes (Vea la Figura 9).



WF2000

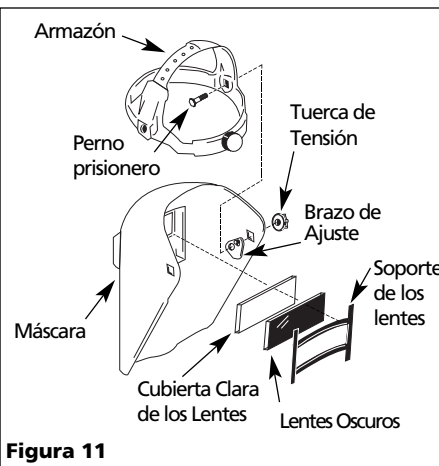
- Corte los soportes y el mango de la máscara. Corte el exceso de plástico para emparejar los bordes.
- Coloque los filtros.
- Conecte los soportes a los pasadores de los retenes (Vea la Figura 2).

- Para conectar el mango, coloque la máscara sobre una superficie plana y presione el mango hasta que calce (Vea la Figura 10).



NOTA: Si nunca ha soldado o si tiene poca experiencia como soldador, es recomendable que utilice un casco con máscara que le cubra toda la cara. Es necesario que utilice ambas manos para estabilizar y controlar el ángulo y longitud del arco del soplete.

Ensamblaje del casco (Solo para los modelos en Promocion)



- Quite el retén del lente que se encuentra en el casco.
- Primero coloque el lente transparente en el casco y luego coloque el lente oscuro. El lente transparente debe estar en el lado exterior. Su función es la de proteger el lente oscuro contra chispas y salpicaduras. Asegure los dos lentes soltando el retén del lente para que regrese a su posición.
- Coloque el brazo de ajuste en el lado derecho del casco. Coloque una clavija pequeña en el brazo dentro de uno de los orificios pequeños que se encuentran en el casco. Este ajuste controla el calce en el casco cuando se lo baja, y se puede volver a colocar en su posición fácilmente si es necesario.
- Coloque el arnés dentro del casco. Arme el casco introduciendo el tornillo pasador a través del arnés y

del casco (y del brazo de ajuste en el lado derecho) dentro de la tuerca tensora como se muestra. No apriete completamente la tuerca tensora.

- Pruebe el calce del casco para soldar. Ajuste la banda de trinquete del arnés hasta lograr una posición cómoda y baje el casco. Si el casco está demasiado separado o demasiado cerca de rostro, utilice un orificio diferente para el brazo de ajuste. Ajuste las tuercas tensoras para que el casco se pueda bajar fácilmente sobre el rostro con un movimiento de la cabeza.

Funcionamiento

PRECAUCION El cable para soldar tiene tensión eléctrica cuando la soldadora está encendida- no importa que el gatillo esté o no esté oprimido.

- Cerciórese de leer, comprender y cumplir con todas las medidas de precaución enumeradas en la sección de Informaciones Generales de Seguridad de este manual. Igualmente, debe leer la sección Instrucciones para soldar en este manual antes de usar la soldadora.
- Apague la soldadora.
- Cerciórese de que las superficies de los metales que va a soldar no estén sucias, oxidadas, pintadas, llenas de aceite o contaminadas. Esto podría dificultarle la soldadura.

ADVERTENCIA Todas las personas que usen esta soldadora o que se encuentren en el área de trabajo cuando se esté usando la soldadora deben usar la vestimenta adecuada de un soldador incluyendo: anteojos de protección de la oscuridad adecuada según las especificaciones dadas a continuación, ropa resistente al fuego, guantes de cuero para soldar y protección para los pies.

ADVERTENCIA Si piensa calentar, soldar o cortar materiales galvanizados, cubiertos de zinc, plomo o cadium vea las instrucciones al respecto en la sección Informaciones Generales de Seguridad. Al calentar estos metales se emiten gases muy tóxicos.

- Conecte la pinza de conexión a la pieza directamente a ésta o la banca de trabajo (si es de metal). Ceriéndose de que haga contacto y que no lo interfiera ni pintura, barniz, óxido o materiales no metálicos.
- Ajuste la manilla de control de corriente al nivel deseado.

NOTA: Estos valores se los ofrecemos sólo como una guía. Los mismos se pueden cambiar según las condiciones y materiales que vaya a soldar.

Funcionamiento (Continuación)

Grosor del Metal	Nivel de la Corriente
Calibre 14 - 18	Bajo (Low)
Calibre de más de 14	Alto (High)

- Fije la velocidad de alimentación en 5 para comenzar y después ajústela si es necesario después de hacer una prueba. En el modelo WF1800 la velocidad de alimentación del alambre se ajusta automáticamente al seleccionar el voltaje.
- Conecte el cordón a un tomacorrientes con capacidad adecuada (vea los requerimientos eléctricos en la primera página).
- Encienda la soldadora (coloque el interruptor ON/OFF en ON). En el modelo WF1800/WF1900, seleccione el voltaje adecuado para el tipo de soldadura.
- Cerchiórese de que el alambre se extienda 1/4" de la punta de contacto. De lo contrario, apriete el gatillo para que salga más alambre y corte la longitud adecuada.
- Acerque la pistola a la pieza de trabajo, mueva la cabeza para ponerse el casco o póngase la máscara y apriete el gatillo. En el modelo WF1800 no se puede ajustar la velocidad de alimentación del alambre.
- Cuando termine de soldar, apague la soldadora y almacénela en un sitio adecuado.

Mantenimiento

⚠️ ADVERTENCIA

Desconecte y apague la soldadora antes de inspeccionar o darle servicio a cualquier componen-te.

Antes de cada uso:

- Chequee los cables y repare o reemplace cualquier cable cuyo forro aislante esté dañado.
- Chequee el cordón eléctrico y repárelo o reemplácelo inmediatamente si está dañado.
- Chequee la condición de la punta de la pistola y la boquilla. Quítele la escoria que se haya acumulado. Reemplace la punta de la pistola o la boquilla si están dañadas.

⚠️ ADVERTENCIA *Nunca use esta*

soldadora cuando algún cordón tenga el forro aislante roto o éste le falte.

Cada 3 meses:

- Reemplace cualquier etiqueta que esté ilegible.
- Use aire comprimido para limpiar las aperturas de ventilación.
- Limpie la ranura del alambre en la bobina. Saque el alambre del

mecanismo de alimentación, saque los tornillos de la bobina. Use un cepillo pequeño de alambres para limpiar la bobina. Reemplácela si está desgastada o dañada.

Piezas que se consumen o desgastan

Las siguientes piezas requieren mantenimiento de rutina:

- La bobina.
- El forro de la pistola - reemplácelo si está desgastado
- La boquilla/punta de contacto.
- Alambre- El modelo WF2000 puede utilizar bobinas de 10,16cm ó 20,32cm. El modelos WF1800/WF1900 sólo puede utilizar bobinas de 10,32cm. El alambre de fundente revestido se puede dañar con la humedad y se oxida con el tiempo, por lo tanto es importante que seleccione un carrete de un tamaño adecuado para el consumo en un periodo de 6 meses aproximadamente. Use alambres tipo AWS E71T-GS o E71T-11 de 0,030" (0,8mm) ó 0,035" (0,9mm) de diámetro.

Para reemplazar el cable para soldar

- Cerchiórese de que la soldadora esté APAGADA y el cordón eléctrico esté desconectado.
- Quítele la tapa a la soldadora de modo tener acceso al interruptor para encender la unidad (marcado ON/OFF)
- Desconecte los alambres negro y blanco conectados al interruptor.
- Desconecte el alambre verde conectado a la armazón de la soldadora
- Afloje los tornillos del relieve de tensión y hale el cordón para sacarlo.
- Para instalar el nuevo cordón siga los pasos arriba enumerados pero en orden contrario.

Instrucciones para soldar

General

Esta soldadoras usan un proceso llamado arcos metálicos con fundente. Este proceso usa un alambre lleno de fundente. El revestimiento se obtiene de la decomposición del fundente dentro del alambre.

Cuando la corriente proviene de un transformador (soldadora) y circula por el circuito hasta llegar al alambre, se forma un arco entre el extremo del alambre y la pieza de trabajo. Este arco derrite el alambre y la pieza de trabajo. El metal derretido del alambre para soldar entra al cráter y une las piezas que desea soldar tal como se muestra en la Figura 12.

Técnicas Básicas para Soldar con Arcos

Hay 5 técnicas básicas que afectan la calidad de la soldadura. Estas son:

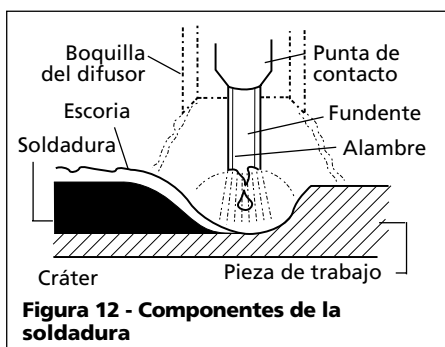


Figura 12 - Componentes de la soldadura

selección del alambre, nivel de la corriente, ángulo de soldadura, velocidad de alimentación y velocidad de desplazamiento.

Es necesario que siga cada una de ellas adecuadamente para obtener una soldadura de calidad.

CORRIENTE

El nivel adecuado de corriente se logra al ajustar la soldadora al amperaje requerido.

La corriente representa la cantidad de electricidad que en realidad circula y ésta se regula con un interruptor en la soldadora. la cantidad de corriente usada depende del tamaño (diámetro) y tipo del alambre usado, la posición de la soldadura y el grosor de la pieza de trabajo.

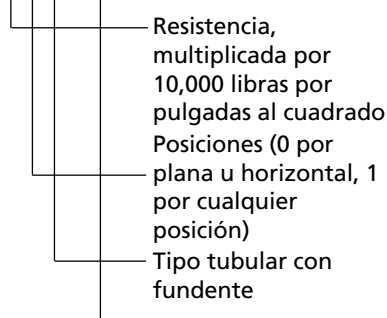
Vea las especificaciones enumeradas en la soldadora o en la tabla generalizada en la sección de funcionamiento. Le sugerimos que antes de soldar practique en un pedazo de metal que vaya a descartar para que ajuste los niveles y compare la calidad de la soldadura con las de la Figura 17.

Instrucciones para soldar (Continuación)

TIPO Y TAMAÑO DEL ALAMBRE

La selección del tipo correcto de alambre depende de varios factores tales como la posición en que va a soldar, el tipo de material que va a soldar, el grosor y las condiciones de la superficie. La sociedad norteamericana de soldadores, AWS, ha seleccionado ciertos requerimientos para cada tipo de alambres. La clasificación de la AWS para este tipo de soldadoras (de arcos metálicos con fundente) es un número de varios dígitos que comienzan con la letra E.

E - 7 0 T - GS



Los AWS E71T-GS ó E71T-11 son los recomendados para estas soldadoras.

ANGULO

Este es el ángulo en que se sostiene el electrodo durante el proceso de soldar. Al usar el ángulo adecuado se garantiza una penetración y formación de reborde adecuado. Al necesitar diferentes posiciones de soldar y uniones, el ángulo del electrodo juega un papel más importante. Hay 2 factores en este ángulo- ángulo de desplazamiento y de trabajo.

El ángulo de desplazamiento es el ángulo en la línea donde se está soldando y puede variar entre 5° y 45° de la línea vertical, según sean las condiciones de soldar.

El ángulo de trabajo es el ángulo desde la línea horizontal, medido en ángulos a la línea de soldar. Para la mayoría de las aplicaciones se pueden usar ángulos de desplazamiento y de trabajo de 45°. Para aplicaciones específicas, debe consultar un texto de soldar con arcos eléctricos o un libro de referencias.

VELOCIDAD DE ALIMENTACION DEL ALAMBRE - WF2000

Esta velocidad se controla con la perilla ubicada en el frente de la soldadora. debe coordinar la velocidad con la rapidez con que se esta derritiendo el alambre en el arco. Esta coordinación es el factor más importante en este tipo de

soldadura. Antes de comenzar a soldar haga una prueba en un pedazo de metal del mismo tipo y grosor que la pieza de trabajo. Comience a soldar moviendo con una mano la boquilla de la pistola por el pedazo de metal y ajustando la velocidad con la otra mano. Si la velocidad es muy lenta ocasionaría chisporroteo y el alambre se quemaría dentro de la punta de contacto (vea la Figura 17). Si la velocidad es muy rápida ocasionaría un sonido de chisporroteo y el alambre penetraría la placa antes de derretirse. Un sonido parejo le indicará que la velocidad está coordinada. Repita este proceso cada vez que cambie el amperaje, el diámetro o tipo de alambre o el tipo o grosor de la pieza de trabajo.

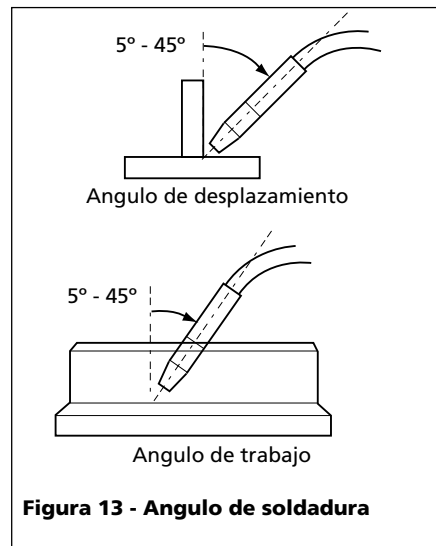


Figura 13 - Angulo de soldadura

VELOCIDAD DE DESPLAZAMIENTO

Es la velocidad con que se desplaza el electrodo por el área a soldar. El diámetro y tipo de electrodo, amperaje, posición y el grosor de la pieza de trabajo son algunos de los factores que afectan la velocidad de desplazamiento necesaria para lograr una soldadura de primera (Vea la Fig. 17). Si la velocidad es demasiado rápida, el reborde es angosto y las ondas puntiagudas como se muestra en la figura. Si la velocidad es muy lenta, el metal soldado se acumula y el reborde es alto y ancho.

LIMPIEZA DE ESCORIAS

ADVERTENCIA Use anteojos de seguridad aprobados por la asociación norteamericana ANSI (ANSI Standard Z87.1) (o alguna organización similar en sus respectivos países) y ropa de protección para sacar la escoria. Los residuos calientes le podrían ocasionar heridas a las personas que se encuentren en el área de trabajo.

Una vez que haya terminado de soldar, espere a que las piezas soldadas se enfríen. Una capa protectora que llamaremos escoria cubre el reborde para evitar que los contaminantes en el aire reaccionen con el metal derretido. Cuando el metal se haya enfriado un poco y no esté al rojo vivo, podrá limpiar el escoria. Esto lo puede hacer con una rebabadora. Golpee suavemente la escoria con el martillo hasta que logre despegarla. Finalmente, use un cepillo de alambre para terminar de limpiar.

POSICIONES PARA SOLDAR

Básicamente hay 4 posiciones para soldar: plana, horizontal, vertical y por encima de la cabeza. Soldar en la posición plana es lo más fácil ya que la velocidad se puede aumentar, el metal derretido se chorrea menos, se puede lograr una mayor penetración y el trabajador se cansa menos. Para soldar en esta posición se usan ángulos de desplazamiento y de trabajo de 45°.

Otras posiciones requieren técnicas diferentes tales como paso entretrejado, circular o cruzado. Para completar este tipo de soldadura se requiere más experiencia en la materia.

Soldar por encima de la cabeza es la posición más difícil y peligrosa. La temperatura a usar y el tipo de electrodo dependen de la posición. Siempre debe tratar de soldar en la posición plana. Para aplicaciones específicas debe consultar un manual técnico.

PASOS

Algunas veces deberá usar más de un paso para soldar. Primero deberá hacer un paso primordial, éste será seguido por pasos adicionales de relleno (vea la Fig. 14). Si las piezas son gruesas, tal vez sea necesario biselar los bordes que están unidos en un ángulo de 60°.

Recuerde que deberá limpiar las escorias antes de cada paso.

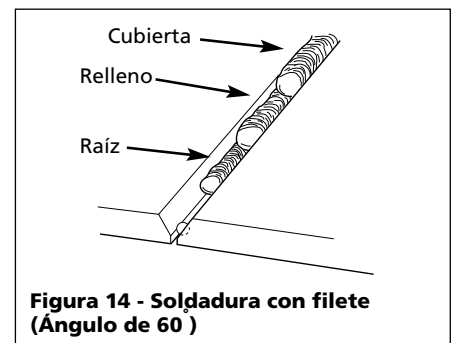


Figura 14 - Soldadura con filete (Ángulo de 60)

Instrucciones para soldar (Continuación)

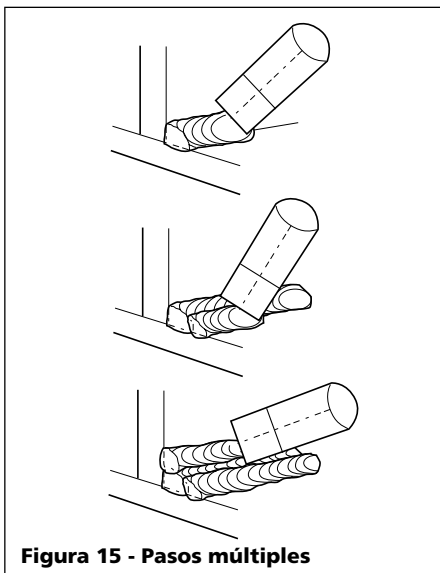


Figura 15 - Pasos múltiples

METODO USADO PARA SOLDAR

Según el tipo de material y el grosor de la pieza de trabajo deberá usar un método de desplazamiento de la pistola soldadora. Para soldar materiales delgados (de calibre 18 ó mayor) y cualquier pieza de aluminio, la pistola debe ubicarse al frente del sedimento y **dirijirlo** a lo largo de la pieza. Para soldar piezas de acero más gruesas, ubique la pistola directamente sobre el sedimento para aumentar la penetración. Este método se podría llamar de empuje (vea la Figura 16).

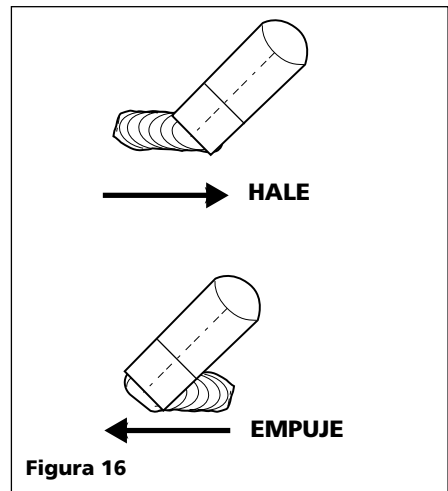


Figura 16

Glosario de Terminología Usada por Soldadores

CA o Corriente Alterna - corriente eléctrica que cambia de dirección periódicamente. Corriente de 60 ciclos se desplaza en ambas direcciones 60 veces por segundo.

Longitud del Arco - la distancia entre el extremo del electrodo y el punto de contacto con la superficie de trabajo.

Metal Básico - el material que se va a soldar.

Unión a tope - la unión de dos miembros alineados aproximadamente en el mismo plano.

Cráter - el vacío que se forma cuando el arco hace contacto con el metal básico.

CD o Corriente Directa - corriente eléctrica que se desplaza en un sólo sentido. La polaridad (+ o -) determina el sentido del desplazamiento.

CD Polaridad Inversa - ocurre cuando el portaelectrodo está conectado al polo positivo de la soldadora. Esta técnica dirige más calor para derretir el electrodo en vez de la pieza de trabajo. Generalmente esta técnica se usa con piezas delgadas.

CD Polaridad Directa - ocurre cuando el portaelectrodo está conectado al polo negativo de la soldadora. Con esta técnica la mayoría del calor se dirige a la pieza de trabajo para lograr una mayor penetración en piezas gruesas.

Electrodo - un alambre de metal con una capa que tiene aproximadamente la misma composición del material que se va a soldar.

Soldadura de Filete - soldadura triangular, para unir dos superficies en ángulo recto, en T o en las esquinas.

Fundente - un material, que al calentarse, emite un gas que cubre el área donde va a soldar. Este gas protege los metales que va a soldar contra las impurezas presentes en el aire.

Soldar con Arcos de Fundente - también se conoce como soldar sin gas, esta técnica para soldar usa una soldadora con alambre. El alambre es tubular y lleno de fundente.

Soldar con Arcos de Metal Gaseoso, es un proceso para soldar usado con una soldadora con alambre. El alambre es sólido y se usa un gas inerte.

Soldar con Arcos de Tungsteno - es un proceso para soldar usado con soldadoras con generadores de alta frecuencia. El arco se crea con un electrodo no-consumible de tungsteno. No necesariamente se usa metal de relleno.

Unión de superposición - la unión de dos miembros superpuestos en planos paralelos.

Voltaje de circuito abierto - el voltaje entre el electrodo y la pinza de conexión a tierra de la soldadora cuando no hay flujo de corriente (no se está soldando). Esto determina la rapidez con que se enciende el arco.

Sobremonta - ocurre si el amperaje es demasiado bajo. En este caso, el metal derretido se cae del electrodo sin haberse unido al metal básico.

Porosidad - cavidad que se forma durante la solidificación del área soldada. Las porosidades debilitan la unión.

Penetración - la profundidad que el arco se penetra dentro de la pieza de trabajo durante el proceso de soldar. Para soldar bien se debe lograr 100% de penetración, es decir todo el grosor de la pieza de trabajo se debe derretir y solidificar. El área afectada por el calor se debe ver fácilmente desde el otro lado.

Soldar con arcos protegidos - es un proceso de soldar que usa un electrodo consumible para sostener el arco. La

protección se logra al derretir el fundente del electrodo.

Escoria - una capa de residuo de fundente que protege la unión de óxidos y otros contaminantes mientras los metales se solidifican (enfrian). Este se debe limpiar una vez que el metal se haya enfriado.

Salpiqueo - las partículas de metal que salpican durante el proceso de soldar y que se solidifican en la superficie de trabajo. Esto se puede minimizar al rociar un repelente adecuado antes de comenzar a soldar.

Soldadura de puntos - una unión hecha para mantener las piezas alineadas hasta que se haya completado el proceso de soldar.

Angulo de desplazamiento - el ángulo del electrodo con respecto a la línea a soldar. Este varía entre los 5° y 45° según sean las condiciones.

Unión en T - es la unión del borde de una pieza de metal con la superficie de otra en un ángulo de 90°.

Socavación - el resultado de soldar con un amperaje demasiado alto. Esto ocasiona ranuras en ambos lados de la reborde que reduce la resistencia de la unión.

Sedimento - el volumen de metal derretido al soldar antes de que se solidifique como metal soldado.

Reborde - una capa delgada o capas de metal depositado en el metal básico cuando el electrodo se derrite. Generalmente su grosor es el doble del diámetro del electrodo.

Angulo de trabajo - el ángulo del electrodo con respecto a la línea horizontal, medido en ángulos rectos a

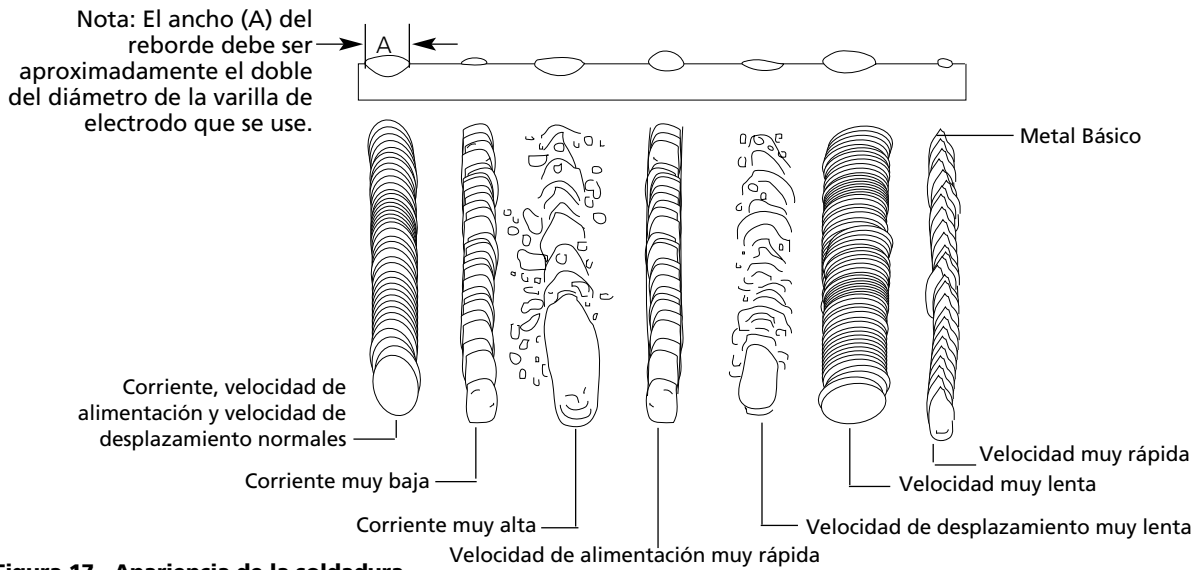


Figura 17 - Apariencia de la soldadura

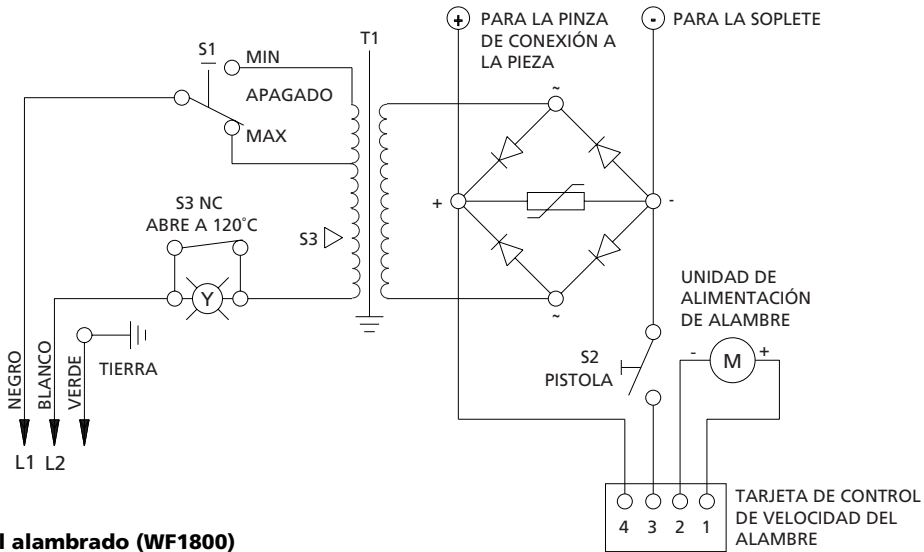


Figura 18 - Esquema del alambrado (WF1800)

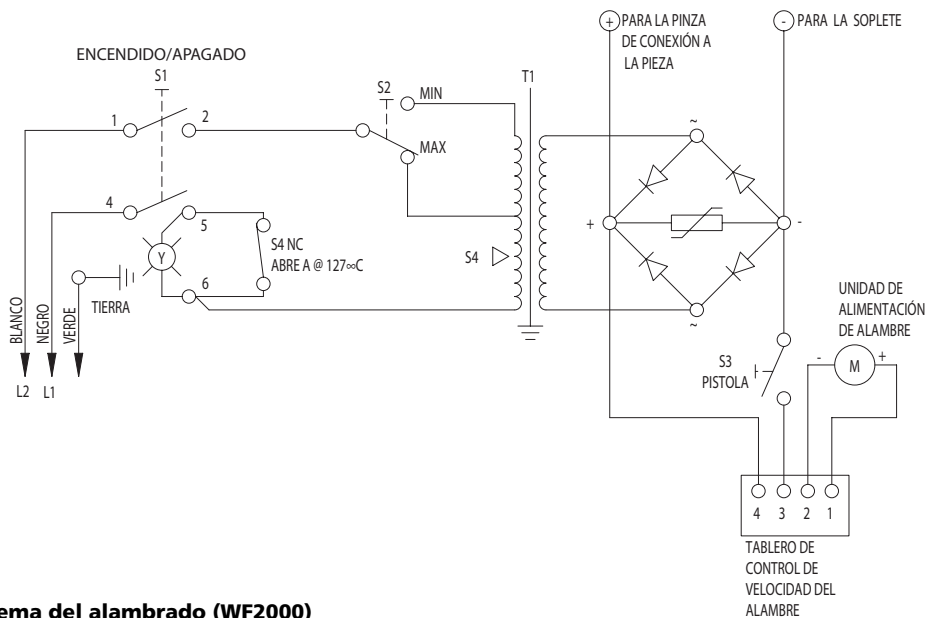


Figura 19 - Esquema del alambrado (WF2000)

Guía de diagnóstico de averías - Soldadora

Problema	Posible(s) Causa(s)	Acción a tomar
No funciona	<ol style="list-style-type: none"> 1. Excedió el ciclo de trabajo 2. Mala conexión a la pieza de trabajo 3. El interruptor ON/OFF está defectuoso 4. El fusible o cortacircuito está quemado 	<ol style="list-style-type: none"> 1. Deje que la soldadora se enfrie hasta que la luz del interruptor ON/OFF se apague 2. Cerciórese de que todas las conexiones estén bien apretadas y de que las superficies estén limpias 3. Reemplace el interruptor 4. Reduzca la carga del circuito, active el cortacircuito o reemplace el fusible
El alambre se enrolla en la bobina	<ol style="list-style-type: none"> 1. La boquilla de la pistola no es del tamaño adecuado 2. El forro interno de la pistola está atascado o dañado 3. La boquilla de la pistola está atascada o dañada 4. La bobina está desgastada 5. No tiene suficiente tensión 	<ol style="list-style-type: none"> 1. Use una boquilla del tamaño adecuado 2. Limpie o reemplace el forro interno de la pistola 3. Limpie o reemplace la punta de la pistola 4. Reemplácela 5. Apriete el tornillo de tensión
La boquilla se pega a la superficie de trabajo	Hay escorias dentro de la boquilla de la pistola	Limpie la boquilla de la pistola
La pinza de conexión a la pieza de trabajo y/o el cable se calientan	Mala conexión	Cerciórese de que todas las conexiones estén bien apretadas y de que las superficies estén limpias
El alambre no circula	<ol style="list-style-type: none"> 1. Está atascado 2. Se terminó el cable en la bobina 3. No tiene suficiente tensión 4. El forro está desgastado 	<ol style="list-style-type: none"> 1. Instale el cable una vez más 2. Reemplácelo 3. Apriete el tornillo de tensión si el alambre se está saliendo 4. Reemplácelo

Guía de diagnóstico de problemas - Soldadura

Problema	Posible(s) Causa(s)	Acción a tomar
Reborde es muy delgado en algunos sitios	<ol style="list-style-type: none"> 1. La velocidad de desplazamiento varía 2. El nivel del amperaje es muy bajo 	<ol style="list-style-type: none"> 1. Debe reducirla y mantenerla constante 2. Debe aumentarlo
Reborde es muy grueso en algunos sitios	<ol style="list-style-type: none"> 1. La velocidad de desplazamiento varía o es muy lenta 2. El nivel del amperaje es muy alto 	<ol style="list-style-type: none"> 1. Debe aumentarla y mantenerla constante 2. Debe bajarlo
Los bordes de la soldadura están dispares	<ol style="list-style-type: none"> 1. La velocidad de desplazamiento es muy rápida 2. La velocidad de alimentación es muy rápida 3. El nivel del amperaje es muy alto 	<ol style="list-style-type: none"> 1. Debe reducirla 2. Debe aumentarla (WF2000) 3. Debe bajarlo
El reborde no penetra el metal básico	<ol style="list-style-type: none"> 1. La velocidad de desplazamiento varía 2. El nivel del amperaje es muy bajo 3. El cordón de extensión es demasiado largo 	<ol style="list-style-type: none"> 1. Debe reducirla y mantenerla constante 2. Debe aumentarlo 3. Use un cordón de extensión que no sea de más de 6,10 m
El electrodo salpica y se pega	<ol style="list-style-type: none"> 1. El alambre está húmedo 2. La velocidad del alambre está muy rápida 3. El alambre es del tipo incorrecto 	<ol style="list-style-type: none"> 1. Use un alambre seco y siempre debe almacenarlo en un sitio seco 2. Reduzca la velocidad del alambre 3. Use sólo alambre de fundente revestido (No use alambres para soldadoras MIG, o alambre de cobre)

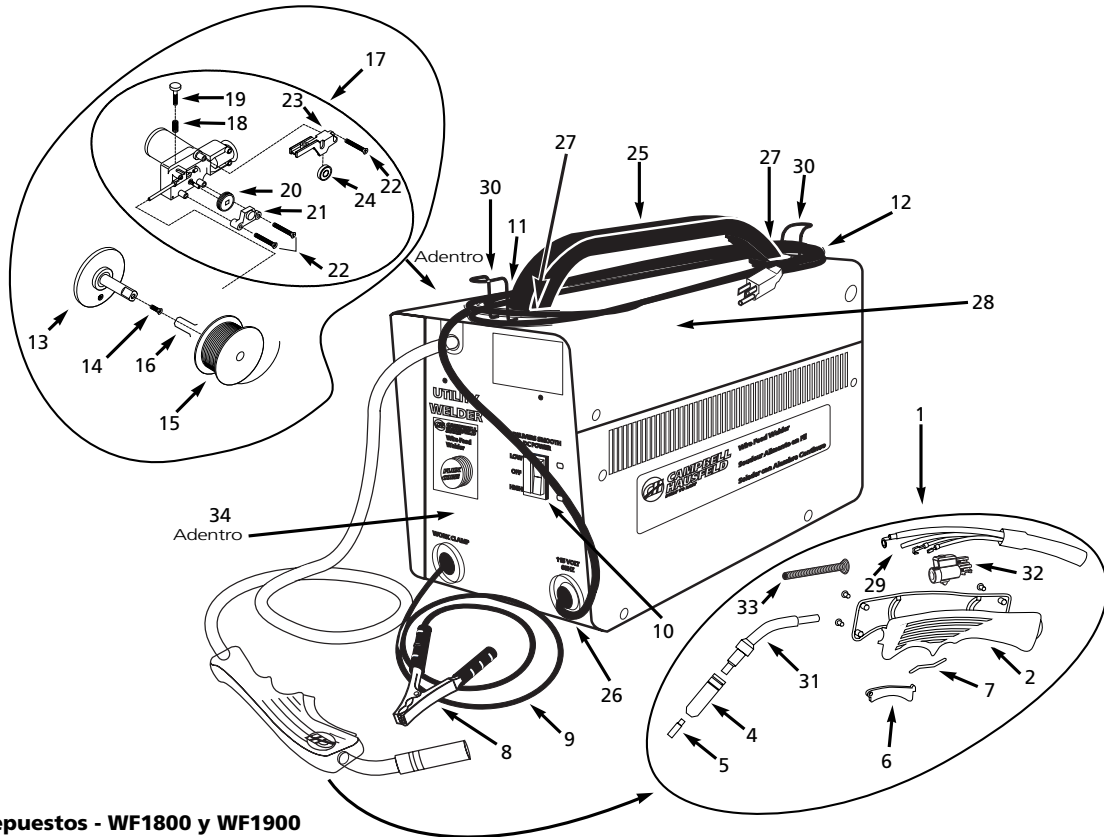


Figura 20 - Repuestos - WF1800 y WF1900

No. de Ref.	Descripción	Número	Ctd.	No. de Ref.	Descripción	Número	Ctd.
1	Ensamblaje del soplete y manguera	WC600900AJ	1	18	Resorte de tensión	WC500003AV	1
2	Soplete, parte frontal y posterior	WC600201AV	1	19	Tornillo de tensión	WC500002AV	1
3 ▲	Gancho para colgar	WC600003AV	1	20	Rodillo opcional, .8-1.2mm (0,6-0,9mm)	WC500001AV	1
4	Boquilla	WT502100AV	1	21	Cubierta del rodillo	WC500004AV	1
5	Punta de contacto - 0,9 mm (0,035")	WT501400AV	1	22	Tornillo para chapa M4,2-1,4 x 35 mm	*	3
	Punta de contacto opcional - 0,8 mm (0,030") (paquete de 4)	WT501300AJ	†	23	Brazo giratorio	WC500005AV	1
	Punta de contacto opcional - 0,9 mm (0,035") (paquete de 4)	WT501400AJ	†	24	Rodillo del brazo giratorio	WC500007AV	1
6	Gatillo	WC602024AV	1	25	Mango	WC301300AV	1
7	Resorte de contacto del soplete	WC600203AV	1	26	Relevo de tensión	WC102000AV	2
8	Pinza para conexión a la pieza de trabajo (sin el cordón)	WC100300AV	1	27	Tornillo para chapa M4,2-1,4 x 10 mm	*	2
9	Cordón para soldar 8 AWG (1,83 m)	*	1	28	Etiqueta de seguridad (derecha)	DK670001AV	1
10	Interruptor Alto/Apagado/Bajo	WC401000AV	1	29	Forro, metal recubierto	WC600208AV	1
11	Etiqueta de seguridad (izquierda)	DK670000AV	1	30	Gancho para colgar el cordón	WC301301AV	2
12	Cordón eléctrico 14-3 AWG (1,83 m) tipo SJT	*	1	31	Extensión con difusor	WC600701AV	1
13	Pivote	WC500700AV	1	32	Cuerpo de la válvula	WC600204AV	1
14	Tornillo para chapa M4,8-1,6 x 16 mm	*	1	33	Elemento guía aislante	WC600305AV	1
15	Alambre con núcleo de fundente de 0,8 mm (0,030") 0,9 kg, opcional.	WE200001AV	†	34 ▲	Tablero de control de velocidad (adentro)	WC401600AV	1
	Alambre con núcleo de fundente de 0,9 mm (0,035") 0,9 kg, opcional.	WE200501AV	†	35 ▲	Casco para soldar (sólo WF1900)	WT100000AV	1
16	Resorte del pivote	WC500701AJ	1	36 ▲	Juego de lentes de reemplazo - uno oscuro y dos claros	WT110501AV	†
17	Ensamblaje del árbol (Incluye 18-24)	WC500000AV	1	37 ▲	Protector de mano (no se incluyen lentes) (sólo WF1800)	WC801200AV	1
				38 ▲	Lentes oscuros (para protector de mano)	WC801100AV	1
				39 ▲	Martillo/cepillo cincelador	WC803000AV	1
				▲	No se muestra		
				†	Los accesorios opcionales, se venden por separado		
				*	Estos repuestos los puede comprar en cualquier ferretería o tienda especializada en artículos para soldadores		

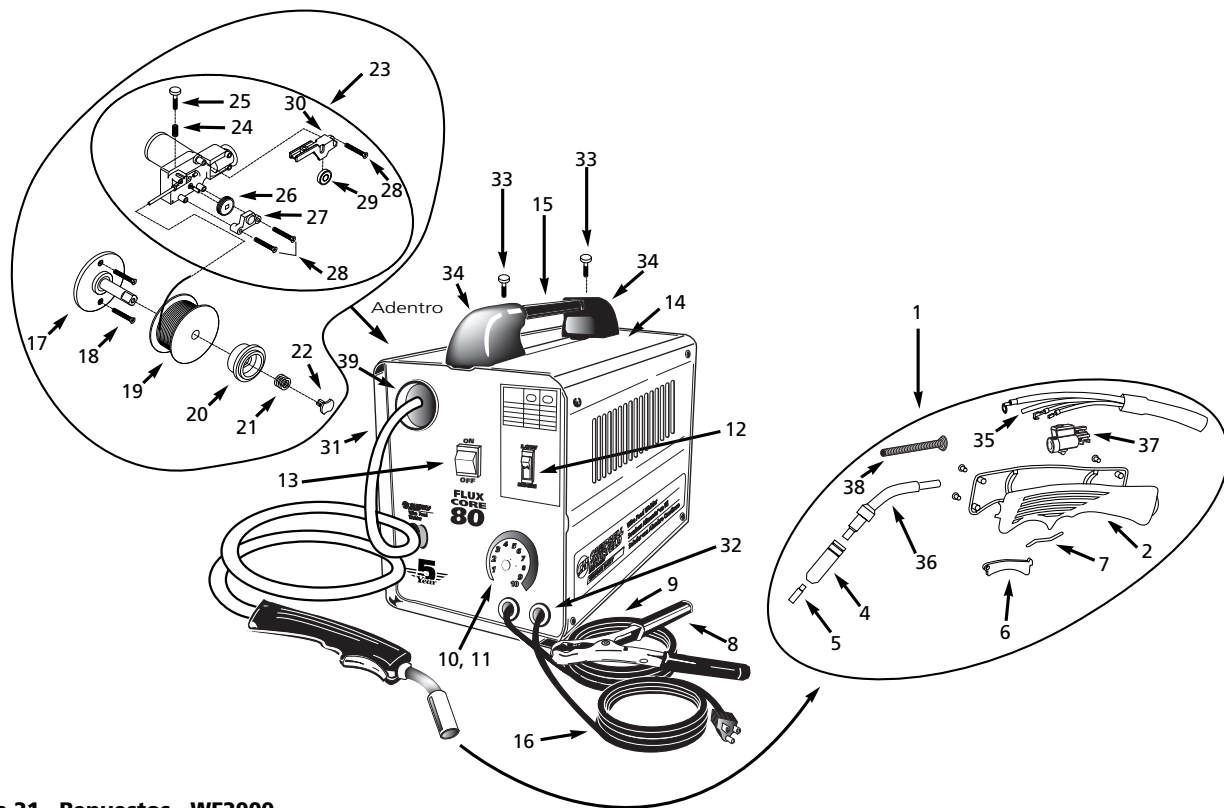


Figura 21 - Repuestos - WF2000

No. de Ref.	Descripción	Número	Ctd.	No. de Ref.	Descripción	Número	Ctd.
1	Ensamblaje del soplete y manguera	WC600900AJ	1	20	Adaptador del carrito	WC500200AV	1
2	Soplete, parte frontal y posterior	WC600201AV	1	21	Resorte del carrito	WC500101AV	1
3 ▲	Gancho para colgar	WC600003AV	1	22	Cerradura del carrito	WC500100AV	1
4	Boquilla	WT502100AV	1	23	Ensamblaje del árbol (Incluye 24-30)	WC500000AV	1
5	Punta de contacto - 0,9 mm (0,035")	WT501400AV	1	24	Resorte de tensión	WC500003AV	1
	Punta de contacto opcional - 0,8 mm (0,030") (paquete de 4)	WT501300AJ	†	25	Tornillo de tensión	WC500002AV	1
	Punta de contacto opcional - 0,9 mm (0,035") (paquete de 4)	WT501400AJ	†	26	Rodillo opcional, 0,6-0,9mm	WC500001AV	1
6	Gatillo	WC600202AV	1	27	Cubierta del rodillo	WC500004AV	1
7	Resorte de contacto del soplete	WC600203AV	1	28	Tornillo para chapa M4,2-1,4 x 35 mm	*	3
8	Pinza para conexión a la pieza de trabajo (sin el cordón)	WC100300AV	1	29	Rodillo del brazo giratorio	WC500007AV	1
9	Cordón para soldar 8 AWG (1,83 m)	*	1	30	Brazo giratorio	WC500005AV	1
10	Perilla de control de velocidad del alambre	WC400201AV	1	31	Panel lateral	WC700000AV	1
11 ▲	Tablero de controles de velocidad (adentro)	WC402100AV	1	32	Relevo de tensión	WC102000AV	2
12	Interruptor Low/high	WC400300AV	1	33	Tornillo para máquina M8 -1,25 x 20 mm	*	2
13	Interruptor On/off	WC400000AV	1	34	Cubiertas del mango	WC300101AV	2
14	Etiqueta de seguridad	DK670100AV	1	35	Forro, metal recubierto	WC600208AV	1
15	Mango	WC300100AV	1	36	Extensión con difusor	WC600701AV	1
16	Cordón eléctrico 14-3 awg (1,82 m) Tipo SJT	*	1	37	Cuerpo de la válvula	WC600204AV	1
17	Eje del carrito	WC500300AV	1	38	Elemento guía aislante	WC600305AV	1
18	Tornillo para chapa M4,8-1,6 x 10 mm	*	1	39	Anillo de soplete	WC600009AV	1
19	Alambre con núcleo de fundente de 0,8 mm (0,030"), opcional 0,9 kg	WE200001AV	†	40 ▲	Protector de mano (no se incluyen lentes)	WC801300AV	1
	Alambre con núcleo de fundente de 0,9 mm (0,035"), opcional 0,9 kg	WE201000AV	†	41 ▲	Lentes oscuras (para protector de mano)	WC801100AV	1
		WE200501AV	†	42 ▲	Martillo/cepillo cincelador	WC803000AV	1
		WE201500AV	†				

Garantía Limitada 5-3-1

1. Duración: El fabricante garantiza que reparará, sin costo alguno por repuestos o mano de obra la soldadora o la pistola o los cables que estén dañados bien en material o mano de obra, durante los siguientes periodos después de la compra original:

Por 5 años: El transformador y rectificador de la soldadora

Por 3 años: Toda la soldadora (se excluyen: pinzas, pistola, portaelectrodos, cables, o accesorios que vienen con la soldadora)

Por 1 año: Pinzas, Pistola, Portaelectrodo, Accesorios y Cable para Soldar (de haberlos)

2. QUIEN OTORGA ESTA GARANTIA (EL GARANTE):

Campbell Hausfeld
The Scott Fetzer Company
100 Production Drive
Harrison, OH 45030
Teléfono: (513)-367-4811

3. BENEFICIARIO DE ESTA GARANTIA (EL COMPRADOR): El comprador original del producto Campbell Hausfeld.

4. Cobertura de la garantía: Defectos en material y fabricación que ocurran dentro del periodo de validez de la garantía. La garantía cubre la soldadora, el transformador y rectificador, la pistola o el portaelectrodo y los cables solamente.

5. Lo que no está cubierto por esta garantía:

A. Las garantías implícitas, incluyendo las garantías de comercialidad y conveniencia para un fin particular SON LIMITADAS A LA DURACION EXPRESA DE ESTA GARANTIA. Después de este periodo, todos los riesgos de pérdida, por cualquier razón, serán la responsabilidad del propietario del producto. En algunos estados no se permiten limitaciones a la duración de las garantías implícitas, por lo tanto, en tal caso esta limitación o exclusión no es aplicable.

B. CUALQUIER PERDIDA, DAÑO INCIDENTAL, INDIRECTO O CONSECUENTE O GASTO QUE PUEDA RESULTAR DE UN DEFECTO, FALLA O MAL FUNCIONAMIENTO DEL PRODUCTO CAMPBELL HAUSFELD. En algunos estados no se permite la exclusión o limitación de daños incidentales o consecuentes, por lo tanto, en tal caso esta limitación o exclusión no es aplicable.

C. Esta garantía no cubre aquellos accesorios que se desgastarán con el uso normal del producto; la reparación o reemplazo de los mismos será la responsabilidad del propietario. Ejemplos de los productos de desgaste por el uso son (lista parcial): Bqouillas de contacto, boquillas, forros internos de la pistola, bobinas, felpa para limpiar el alambre . Además, esta garantía no cubre daños que ocurran al reemplazar o darle servicio a las piezas arriba enumeradas.

D. Cualquier falla que resulte de un accidente, abuso, negligencia o incumplimiento de las instrucciones de funcionamiento y uso indicadas en el(los) manual(es) que se adjuntan al producto.

E. Servicio antes de entrega, por ejemplo ensamblaje y ajustes.

7. Responsabilidades del Garante bajo esta Garantía: Reparar o reemplazar, como lo decida el garante, los productos o componentes defectuosos durante el periodo de validez de la garantía.

8. Responsabilidades del Comprador bajo esta Garantía:

A. Entregar o enviar el producto o componente a Campbell Hausfeld. Los gastos de flete, si los hubiere, deben ser pagados por el comprador.

B. Ser cuidadoso con el funcionamiento del producto, como se indica en el(los) manual(es) del propietario.

9. Cuando efectuará el garante la reparación o reemplazo cubierto bajo esta garantía: La reparación o reemplazo dependerá del flujo normal de trabajo del centro de servicio y de la disponibilidad de repuestos.

Esta garantía limitada le otorga derechos legales específicos y usted también puede tener derechos que varían de un estado a otro.

