

Please read and save these instructions. Read carefully before attempting to assemble, install, operate or maintain the product described. Protect yourself and others by observing all safety information. Failure to comply with instructions could result in personal injury and/or property damage! Retain instructions for future reference.

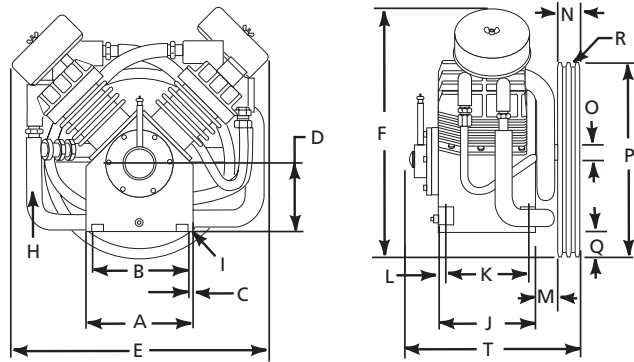
Speedaire® Two-Stage Air Compressor Pump

Refer to Form 5S5979 for General Operating and Safety Instructions

For Warranty & Service call 1-888-606-5587

Do Not Return To Branch

ROTATION OF FLYWHEEL
COUNTER-CLOCKWISE WHEN
FACING THE FLYWHEEL



Cast Iron Series

Dimensions

Key	Item	Dim. (inches)	
		4B248C	5Z405E
A	Base-width	11.38	11.38
B	Bolt down-width	9.63	9.63
C	Bolt down to edge	0.88	0.88
D	Base to crank CTR	7.0	7.0
E	Overall width	28.5	25.0
F	Overall height	26.0	21.5
H	HP exhaust opng. (manifold)	0.75	0.75
I	Bolt down hole dia.	0.53	0.53
J	Base-depth	10.13	10.13

Key	Item	Dim. (inches)	
		4B248C	5Z405E
K	Bolt down-depth	8.06	8.06
L	Bolt down to edge	1.0	1.0
M	Bolt down to wheel (max.)	3.88	3.88
N	Flywheel width	2.75	2.0
O	Crank diameter	1.38	1.38
P	Flywheel diameter	19.38	16.5
Q	Flywheel drop	1.69	1.25
R	Flywheel grooves	2 VB	2 VB
T	Overall depth	19.5	18.5

Specifications

Bore and Stroke	Displacement / Stroke	Cylinders	Oil Capacity	Oil Type	Weight (lbs.)	Max. psi
4-3/4 inches x 3 inches (2 LP)	0.0616 cu - ft	4	4 quarts	ISO 100 (SAE 30)	235 (5Z405E)	175 psi
2-1/2 inches x 3 inches (2 HP)					270 (4B248C)	

Performance

Models	Discharge Pressure	Motor HP	Displacement CFM	Delivery CFM	Pump RPM	Approx. Pulley O.D.	Approx. Pulley Pitch Diameter (•)
5Z405E	100 psi	10	49.8	40.0	808	7.75	7.4
	125 psi	10	46.8	37.0	760	7.35	7.0
	150 psi	10	44.4	35.0	720	6.95	6.6
	175 psi	10	42.2	34.2	685	6.75	6.4
4B248C	100 psi	15	62.8	52.0	1020	11.37	11.0
	100 psi	15	62.8	51.5	1020	11.37	11.0
	175 psi	15	62.8	51.0	1020	11.37	11.0

All data based on 1725 RPM electric motors with a service factor of 1.15.

NOTE: Flow rate data determined in accordance with United States' ASME power test codes.

(•) Data based on B section belts and pulleys. For continuous run operations, reduce motor pulley by one size.

CAUTION
Do not exceed RPM shown in table.

ENGLISH

ESPAÑOL

FRANÇAIS

For Repair Parts, call 1-800-323-0620

24 hours a day – 365 days a year

Please provide following information:

- Model number
- Serial number (if any)
- Part description and number as shown in parts list

ENGLISH

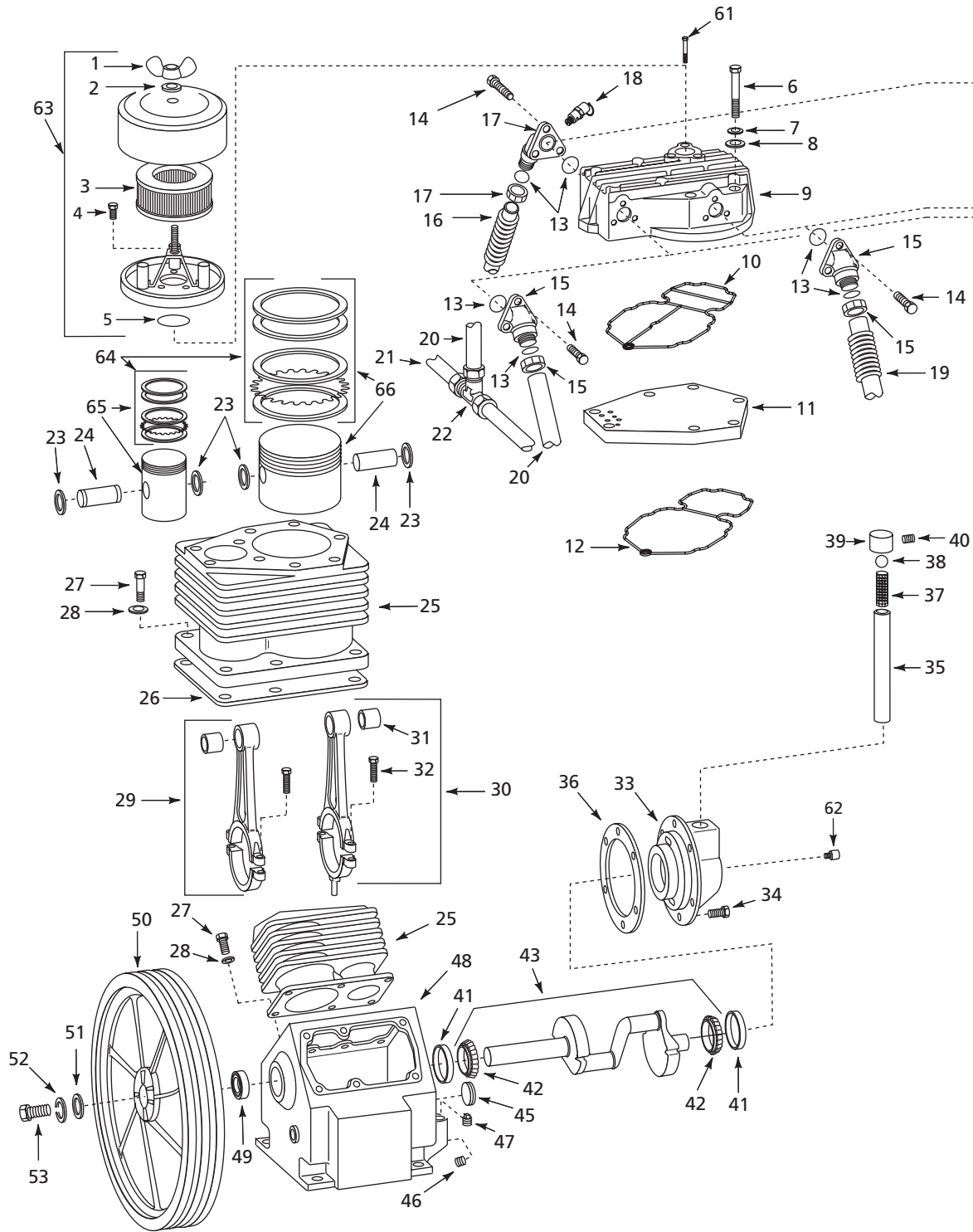


Figure 1 – Repair Parts Illustration for Models 4B248C & 5Z405E

Model 4B248C and 5Z405E

E
N
G
L
I
S
H

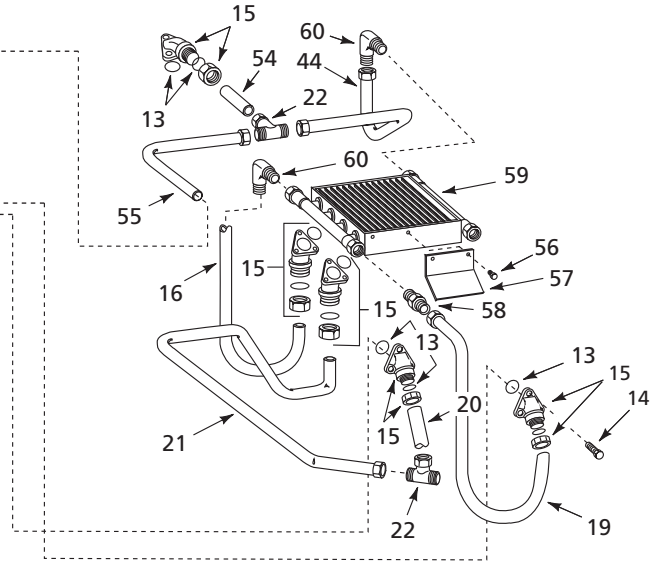


Figure 1 – Repair Parts Illustration for Model 4B248C only

Repair Parts List for Two-Stage Air Compressor Pump

Reference Number	Description	Part Number for Models:		Qty.
		4B248C	5Z405E	
1	1/4-20 Wing nut	*	*	1
2	1/4 inch Washer	*	*	1
3	Filter element	TF060504AV	1R416	1
4	1/4-20 x 1/2 inch Screw	TF004801AV	TF004801AV	3
5	O-ring (Included in Ref. #63)	—	—	1
6	3/8-16 x 3-1/2 inch Screw	*	*	18
7	3/8 inch Bellville washer	*	*	18
8	3/8 inch Plain washer	ST057700AV	ST057700AV	18
9	Cylinder head	TF066202AV	TF066202AV	2
10	▲ O-ring, head to valve plate	TF066800AV	TF066800AV	2
11	Valve plate assembly	TF066300AJ	TF066300AJ	2
12	▲ O-ring, cylinder to valve plate	TF067000AV	TF067000AV	2
13	▲ O-ring	ST070186AV	ST070186AV	12
14	1/4-20 x 3/4 inch Screw	ST120200AV	ST120200AV	24
15	Tube fitting assembly	TF060402AJ	TF060402AJ	4
16	Intercooler, right cyl. (facing flywheel)	TX033700AP	TX000900BH	1
17	Tube fitting assembly	TF060403AJ	TF060403AJ	2
18	Safety valve	V-208900AV	V-208900AV	2
19	Intercooler, left cyl. (facing flywheel)	TX033600AP	TX000800BH	1
20	Discharge tube	TX032000AP	TX032000AP	1
21	Crossover tube	TX031600AP	TX031600AP	1
22	3/4 inch Compression tee	ST072110AV	ST072110AV	2
23	Retaining ring	ST059400AV	ST059400AV	8
24	Piston pin	TF000500AV	TF000500AV	4



Speedaire® Compressor Pumps

Repair Parts List for Two-Stage Air Compressor Pump (Continued)

Reference Number	Description	Part Number for Models:		Qty.
		4B248C	5Z405E	
25	Cylinder	TF058000AG	TF058000AG	2
26 ▲	Gasket, cylinder to crankcase	XA006200AV	XA006200AV	2
27	3/8-24 x 1 inch Hex head screw	ST067200AV	ST067200AV	12
28	3/8 inch Washer	ST077802AV	ST077802AV	12
29	Connecting rod assembly less dipper	TF057802AJ	TF057802AJ	2
30	Connecting rod assembly with dipper	TF057801AJ	TF057801AJ	2
31	Needle bearing	ST051100AV	ST051100AV	4
32	5/16-18 x 1-1/2 inch Socket head screw	*	*	8
33	Bearing cap	TF060901AV	TF060901AV	1
34	5/16-18 x 3/4 inch Set screw	*	*	6
35	Breather tube	TW003600AV	TW003600AV	1
36 ▲	0.015 inch Gasket	XA006102AV	XA006102AV	1
	0.024 inch Gasket (not shown)	XA006103AV	XA006103AV	1
37	Breather mesh	TF064501AV	TF064501AV	1
38	Breather ball	ST094700AV	ST094700AV	1
39	Breather cap	TW003800AG	TW003800AG	1
40	1/4-20 x 3/8 inch Set screw	*	*	1
41	Bearing cup	ST066200AV	ST066200AV	2
42	Bearing cone	ST067000AV	ST067000AV	2
43	Crankshaft w/bearing cones	TX034400AJ	TX034400AJ	1
44	Discharge tube	TX033800AP	—	1
45	Oil level gage	TF050101AV	TF050101AV	1
46	1/4-18 NPT Drain plug	ST072917AV	ST072917AV	1
47	1/2-14 NPT Filler plug	ST066400AV	ST066400AV	1
48	Crankcase assembly w/ bearings	TX028000AJ	TX028000AJ	1
49	Oil seal	ST066901AV	ST066901AV	1
50	Flywheel	TX034800AV	PU016700AV	1
51	Washer	TX034600AV	TX034600AV	1
52	Lockwasher	ST071015AV	ST071015AV	1
53	Torque screw	TX034700AV	TX034700AV	1
54	Discharge tube	TX032001AP	—	1
55	Discharge tube	TX033500AP	—	1
56	1/4-20 x 5/8 inch Screw	*	—	4
57	Bracket	TX033100AV	—	2
58	Straight compression fitting	ST072024AV	—	1
59	Intercooler	TX032700AV	—	1
60	90° Elbow	ST072231AV	—	2
61	Head to valve plate screw	ST074423AV	ST074423AV	2
62	Oil filter reducer fitting	TW013200AV	TW013200AV	1

Model 4B248C and 5Z405E

Repair Parts List for Two-Stage Air Compressor Pump (Continued)

Reference Number	Description	Part Number for Models:		Qty.
		4B248C	5Z405E	
REPAIR KITS AND ACCESSORIES				
63	Filter kit (Incl. Ref. #1-5)	TF060503AV	TF060500AV	2
64	Ring kit	TF006900AJ	TF006900AJ	2
65	High pressure piston assembly	TF002300AJ	TF002300AJ	2
66	Low pressure piston assembly	TF002400AJ	TF002400AJ	2
▲	Gasket and O-ring kit	TF061601AJ	TF061601AJ	2
■ †	Threaded air intake adapter	TF060502AV	TF060502AV	2
● †	Threaded air filter kit	4Z680	4Z680	2
◆ †	Continuous run unloader (Load Genie)	4TK14	4TK14	1
*	Standard hardware item, available locally.			
(■)	Optional adapter kit provides 1inch NPT threads at pump head. Requires piping between pump and filter kit 4Z680.			
(●)	Filter kit required for optional adapter kit TF060502AV.			
(†)	Optional.			

MAINTENANCE AND REPAIR PARTS KITS

5Z707 (5Z405E only) 90-day maintenance kit includes oil for the compressor, air filter, and a maintenance and inspection guide.

TORQUE VALUES

Ref. No.	Description	Torque
6	3/8-16 Screw, head	42 ft. lb.
27	3/8-24 Screw, cylinder	15 ft. lb.
32	5/16-18 Screw, connecting rod	14 ft. lb.
34	5/16-18 Screw, bearing cap	14 ft. lb.
53	1/2 inch Torque screw, flywheel	50 ft. lb.
61	Head to valve plate screw	100 in. lb.

Torquing Sequence: Tighten head bolt (Ref. No. 6) in a criss-cross pattern starting in the center.

Recheck torque every 3 months.

Speedaire® Two-Stage Air Compressor Pump

LIMITED WARRANTY

DAYTON TWO-YEAR LIMITED WARRANTY. SPEEDAIRE® TWO-STAGE AIR COMPRESSOR PUMP, MODELS COVERED IN THIS MANUAL, ARE WARRANTED BY DAYTON ELECTRIC MFG. CO. (DAYTON) TO THE ORIGINAL USER AGAINST DEFECTS IN WORKMANSHIP OR MATERIALS UNDER NORMAL USE FOR TWO YEARS AFTER DATE OF PURCHASE. ANY PART WHICH IS DETERMINED TO BE DEFECTIVE IN MATERIAL OR WORKMANSHIP AND RETURNED TO AN AUTHORIZED SERVICE LOCATION, AS DAYTON DESIGNATES, SHIPPING COSTS PREPAID, WILL BE, AS THE EXCLUSIVE REMEDY, REPAIRED OR REPLACED AT DAYTON'S OPTION. FOR LIMITED WARRANTY CLAIM PROCEDURES, SEE "PROMPT DISPOSITION" BELOW. THIS LIMITED WARRANTY GIVES PURCHASERS SPECIFIC LEGAL RIGHTS WHICH VARY FROM JURISDICTION TO JURISDICTION.

LIMITATION OF LIABILITY. TO THE EXTENT ALLOWABLE UNDER APPLICABLE LAW, DAYTON'S LIABILITY FOR CONSEQUENTIAL AND INCIDENTAL DAMAGES IS EXPRESSLY DISCLAIMED. DAYTON'S LIABILITY IN ALL EVENTS IS LIMITED TO AND SHALL NOT EXCEED THE PURCHASE PRICE PAID.

WARRANTY DISCLAIMER. A DILIGENT EFFORT HAS BEEN MADE TO PROVIDE PRODUCT INFORMATION AND ILLUSTRATE THE PRODUCTS IN THIS LITERATURE ACCURATELY; HOWEVER, SUCH INFORMATION AND ILLUSTRATIONS ARE FOR THE SOLE PURPOSE OF IDENTIFICATION, AND DO NOT EXPRESS OR IMPLY A WARRANTY THAT THE PRODUCTS ARE MERCHANTABLE, OR FIT FOR A PARTICULAR PURPOSE, OR THAT THE PRODUCTS WILL NECESSARILY CONFORM TO THE ILLUSTRATIONS OR DESCRIPTIONS. EXCEPT AS PROVIDED BELOW, NO WARRANTY OR AFFIRMATION OF FACT, EXPRESSED OR IMPLIED, OTHER THAN AS STATED IN THE "LIMITED WARRANTY" ABOVE IS MADE OR AUTHORIZED BY DAYTON.

Technical Advice and Recommendations, Disclaimer. Notwithstanding any past practice or dealings or trade custom, sales shall not include the furnishing of technical advice or assistance or system design. Dayton assumes no obligations or liability on account of any unauthorized recommendations, opinions or advice as to the choice, installation or use of products.

Product Suitability. Many jurisdictions have codes and regulations governing sales, construction, installation, and/or use of products for certain purposes, which may vary from those in neighboring areas. While attempts are made to assure that Dayton products comply with such codes, Dayton cannot guarantee compliance, and cannot be responsible for how the product is installed or used. Before purchase and use of a product, review the product applications, and all applicable national and local codes and regulations, and be sure that the product, installation, and use will comply with them.

Certain aspects of disclaimers are not applicable to consumer products; e.g., (a) some jurisdictions do not allow the exclusion or limitation of incidental or consequential damages, so the above limitation or exclusion may not apply to you; (b) also, some jurisdictions do not allow a limitation on how long an implied warranty lasts, consequently the above limitation may not apply to you; and (c) by law, during the period of this Limited Warranty, any implied warranties of implied merchantability or fitness for a particular purpose applicable to consumer products purchased by consumers, may not be excluded or otherwise disclaimed.

Prompt Disposition. A good faith effort will be made for prompt correction or other adjustment with respect to any product which proves to be defective within limited warranty. For any product believed to be defective within limited warranty, first write or call dealer from whom the product was purchased. Dealer will give additional directions. If unable to resolve satisfactorily, write to Dayton at address below, giving dealer's name, address, date, and number of dealer's invoice, and describing the nature of the defect. Title and risk of loss pass to buyer on delivery to common carrier. If product was damaged in transit to you, file claim with carrier.

Manufactured for Dayton Electric Mfg. Co., 5959 W. Howard St., Niles, Illinois 60714-4014 U.S.A.

Por favor lea y guarde estas instrucciones. Léelas cuidadosamente antes de tratar de montar, instalar, operar o dar mantenimiento al producto aquí descrito. Protéjase usted mismo y a los demás observando toda la información de seguridad. ¡El no cumplir con las instrucciones puede ocasionar daños, tanto personales como a la propiedad! Guarde estas instrucciones para referencia en el futuro.

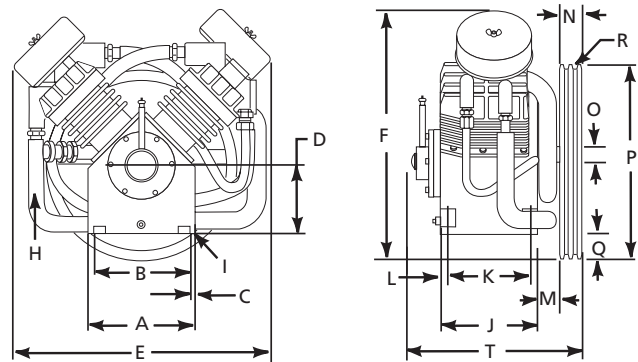
Cabezales Para Compresores de Aire de Dos Etapas Speedaire®

Vea las instrucciones generales de funcionamiento y seguridad en el manual 5S5979

Por garantía y servicio 1-888-606-5587

No devolver a la sucursal

EL VOLANTE DEBE GIRAR EN SENTIDO CONTRARIO A LAS AGUJAS DEL RELOJ AL OBSERVARLO DESDE EL FRENTE DEL VOLANTE



Serie de hierro colado

Dimensiones

Clave	Descripción	Dim (cm)	
		4B248C	5Z405E
A	Ancho de la base	28,9	28,9
B	Dist. entre los pernos	24,5	24,5
C	Dist. entre perno-borde	2,2	2,2
D	Base al centro del eje	17,8	17,8
E	Ancho total	72,4	63,5
F	Alt. total	66,0	54,6
H	Orificio de salida AP (múltiple)	1,9	1,9
I	Diám. orificio de los pernos	1,4	1,4
J	Profundidad de la base	25,7	25,7

Clave	Descripción	Dim (cm)	
		4B248C	5Z405E
K	Dist. entre los pernos (Vert.)	20,5	20,5
L	Distancia entre el perno/borde	2,5	2,5
M	Dist. máx. entre perno/volante	9,9	9,9
N	Ancho del volante	7,0	5,1
O	Diámetro de la manivela	3,5	3,5
P	Diámetro del volante	49,2	41,9
Q	Paso del volante	4,3	3,2
R	Ranuras del volante	2 VB	2 VB
T	Profundidad total	49,5	47,0

Especificaciones

Diámetro interno y carrera	Desplazamiento / carrera	Cilindros	Cap. de aceite	Tipo de aceite	Peso (Kg)	Máx. bar
12,1 cm x 7,6 cm (2 BP) 6,4 cm x 7,6 cm (2 AP)	0,0017 cu - m	4	3,8 L	ISO 100 (SAE 30)	106,6 (5Z405E) 122,5 (4B248C)	12,1 bar

Rendimiento

Modelos	Presión de salida	HP del Motor	Desplazamiento CFM (pies ³ /min)	Suministro CFM (pies ³ /min)	RPM del cabezal	D.E. aproximado de la polea	Diám. primitivo aproximado de la polea (•)
5Z405E	6,90 bar	10	49,8	40,0	808	19,7	18,8
	8,62 bar	10	46,8	37,0	760	18,7	17,8
	10,34 bar	10	44,4	35,0	720	17,7	16,8
	12,07 bar	10	42,2	34,2	685	17,2	16,3
4B248C	6,90 bar	15	62,8	52,0	1020	28,9	27,9
	9,65 bar	15	62,8	51,5	1020	28,9	27,9
	12,07 bar	15	62,8	51,0	1020	28,9	27,9

Los valores presentados están basados en motores eléctricos de 1725 RPM con un factor de servicio de 1.15.

NOTA: El flujo se calculó según los códigos para pruebas de potencia de la organización norteamericana ASME.

(•) Basado en bandas y poleas del corte B. Para el uso continuo debe reducir la polea del motor al tamaño inmediatamente inferior.

PRECAUCION

Nunca exceda el número de RPM indicado en la tabla.

**Para Obtener Partes de Reparación en México Llame al 001-800-527-2331
en EE.UU. Llame al 1-800-323-0620**

Servicio permanente – 24 horas al día al año

Por favor proporciónenos la siguiente información:

- Número de modelo
- Número de serie (si lo tiene)
- Descripción de la parte y número que le corresponde en la lista de partes

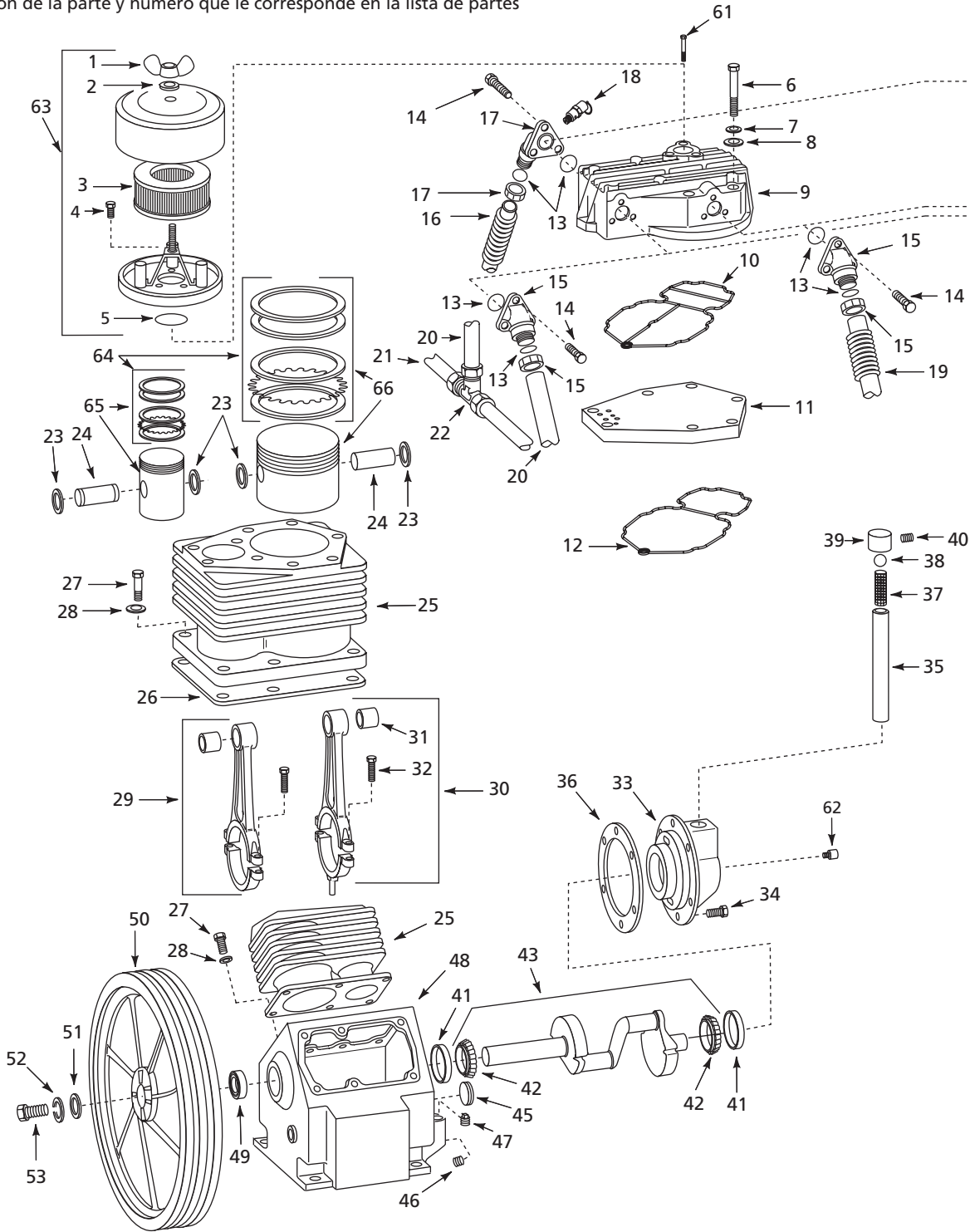


Figura 1 – Ilustración de los partes de reparación, Modelos 4B248C y 5Z405E

Modelos 4B248C y 5Z405E

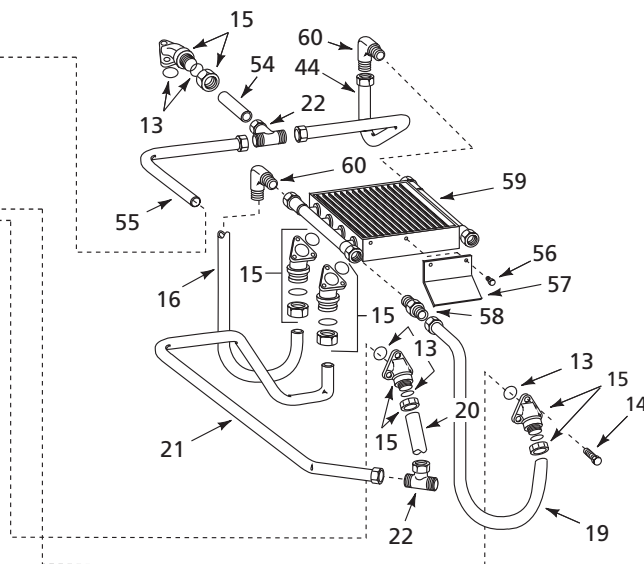


Figura 1 – Ilustración de los partes de reparación, Modelo 4B248C solamente

Lista de Partes de Reparación para las Cabezas Para Compresores de Aire de Dos Etapas

No. de Ref.	Descripción	Para los Modelos: 4B248C	5Z405E	Ctd.
1	Tuerca de aletas de 1/4-20	*	*	1
2	Arandela de 6,4 mm (1/4 inch)	*	*	1
3	Elemento del filtro	TF060504AV	1R416	1
4	Tornillo de 1/4-20 x 12,7 mm (1/2 inch)	TF004801AV	TF004801AV	3
5	Anillo en O (Incluido en Ref. #63)	—	—	1
6	Tornillo de 3/8-16 x 8,89 cm (3-1/2 inch)	*	*	18
7	Arandela Tipo Bellville de 9,5 mm (3/8 inch)	*	*	18
8	Arandela plana de 9,5 mm (3/8 inch)	ST057700AV	ST057700AV	18
9	Culata del cilindro	TF066202AV	TF066202AV	2
10	▲ Anillo "O", placa culata-a-válvula	TF066800AV	TF066800AV	2
11	Ensamblaje de placas de válvulas	TF066300AJ	TF066300AJ	2
12	▲ Anillo en O, entre el cilindro y la placa de la válvula	TF067000AV	TF067000AV	2
13	▲ Anillo en O	ST070186AV	ST070186AV	12
14	Tornillo de 1/4-20 x 19,1 mm (3/4 inch)	ST120200AV	ST120200AV	24
15	Ensamblaje de los conectores de tubos	TF060402AJ	TF060402AJ	4
16	Interenfriamiento, cilindro derecho (desde el frente del volante)	TX033700AP	TX000900BH	1
17	Ensamblaje de los conectores de tubos	TF060403AJ	TF060403AJ	2
18	Válvula de seguridad	V-208900AV	V-208900AV	2
19	Interenfriamiento, cilindro izquierdo (desde el frente del volante)	TX033600AP	TX000800BH	1
20	Tubo de descarga	TX032000AP	TX032000AP	1

Cabezales Para Compresores de Aire de Dos Etapas Speedaire®

Lista de Partes de Reparación para las Cabezales Para Compresores de Aire de Dos Etapas

No. de Ref.	Descripción	Para los Modelos:		Ctd.
		4B248C	5Z405E	
21	Tubo de empalme	TX031600AP	TX031600AP	1
22	19,1 mm (3/4 inch) Compression tee	ST072110AV	ST072110AV	2
23	Anillo de retención	ST059400AV	ST059400AV	8
24	Pasador del pistón	TF000500AV	TF000500AV	4
25	Cilindro	TF058000AG	TF058000AG	2
26 ▲	Empaque, entre el cilindro y la caja del cigüeñal	XA006200AV	XA006200AV	2
27	Tornillo Hex de 3/8-24 x 2,54 cm (1 inch)	ST067200AV	ST067200AV	12
28	Arandela de 9,5 mm (3/8 inch)	ST077802AV	ST077802AV	12
29	Ensamblaje de la biela sin el cucharón	TF057802AJ	TF057802AJ	2
30	Ensamblaje de la biela con el cucharón	TF057801AJ	TF057801AJ	2
31	Cojinete de agujas	ST051100AV	ST051100AV	4
32	Tornillo de cabeza tubular de 5/16 - 18 x 3,81 cm (1-1/2 inch)	*	*	8
33	Tapa de los cojinetes	TF060901AV	TF060901AV	1
34	Tornillo de 5/16-18 x 19,1 mm (3/4 inch)	*	*	6
35	Tubo del respiradero	TW003600AV	TW003600AV	1
36 ▲	Empaque de 0.015 inch	XA006102AV	XA006102AV	1
	Empaque de 0.024 inch (no se muestra)	XA006103AV	XA006103AV	1
37	Rejilla del respiradero	TF064501AV	TF064501AV	1
38	Bola del respiradero	ST094700AV	ST094700AV	1
39	Tapa del respiradero	TW003800AG	TW003800AG	1
40	Tornillo de 1/4-20 x 9,5 mm (3/8 inch)	*	*	1
41	Taza de cojinetes	ST066200AV	ST066200AV	2
42	Cono de los cojinetes	ST067000AV	ST067000AV	2
43	Caja del cigüeñal con conos de los cojinetes	TX034400AJ	TX034400AJ	1
44	Tubo de descarga	TX033800AP	—	1
45	Medidor de aceite	TF050101AV	TF050101AV	1
46	Tapón del orificio de drenaje de 1/4-18 NPT	ST072917AV	ST072917AV	1
47	Tapón de 1/2-14 NPT (orificio de lubricación)	ST066400AV	ST066400AV	1
48	Caja del cigüeñal con cojinetes	TX028000AJ	TX028000AJ	1
49	Sello del sistema de lubricación	ST066901AV	ST066901AV	1
50	Volante	TX034800AV	PU016700AV	1
51	Arandela	TX034600AV	TX034600AV	1
52	Arandela de seguridad	ST071015AV	ST071015AV	1
53	Tornillo de torque	TX034700AV	TX034700AV	1
54	Tubo de descarga	TX032001AP	—	1
55	Tubo de descarga	TX033500AP	—	1
56	Tornillo de 1/4-20 x 5/8 inch	*	—	4
57	Abrazadera	TX033100AV	—	2
58	Conector recto de compresión	ST072024AV	—	1

Modelos 4B248C y 5Z405E

Lista de Partes de Reparación para las Cabezas Para Compresores de Aire de Dos Etapas

No. de Ref.	Descripción	Para los Modelos:		Ctd.
		4B248C	5Z405E	
59	Sistema de interenfriamiento	TX032700AV	—	1
60	Codo de 90°	ST072231AV	—	2
61	Tornillo de placa culata-a-válvula	ST074423AV	ST074423AV	2
62	Empalme reductor para filtro de aceite	TW013200AV	TW013200AV	1

JUEGOS DE REPARACIÓN Y ACCESORIOS

63	Juego de filtros (Incl. # de Ref. 1-5)	TF060503AV	TF060500AV	2
64	Juego de anillos	TF006900AJ	TF006900AJ	2
65	Ensamblaje de los pistones de alta presión	TF002300AJ	TF002300AJ	2
66	Ensamblaje de los pistones de baja presión	TF002400AJ	TF002400AJ	2
▲	Juego de empaque y anillo "O"	TF061601AJ	TF061601AJ	2
■ †	Adaptador con roscas de la entrada de aire	TF060502AV	TF060502AV	2
● †	Juego de filtro de aire con roscas	4Z680	4Z680	2
◆ †	Descargador para uso continuo (Genie)	4TK14	4TK14	1

* Disponible en cualquier ferretería.

(■) El adaptador opcional le provee roscas de 2,54 cm (1 inch) NPT en la culata del cabezal. Requiere tuberías entre el cabezal y el juego de filtros 4Z680.

(●) Juego de filtros requerido para el adaptador opcional TF060502AV.

(†) Opcional.

JUEGO DE REPARACIÓN/ PIEZAS DE MANTENIMIENTO

5Z707 (Sólo para el 5Z405E) Este juego para mantenimiento trimestral incluye aceite para el compresor, filtro de aires y una guía para el mantenimiento e inspección.

VALORES DE LOS TORQUES

No. de Ref	Descripción	Torque
6	Tornillo de 3/8-16 , culata	42 ft. lb.
27	Tornillo de 3/8-24, cilindro	15 ft. lb.
32	Tornillo de 5/16-18 , biela	14 ft. lb.
34	Tornillo de 5/16-18, tapa de cojinetes	14 ft. lb.
53	Tornillo de torque de 1/2 inch, volante	50 ft. lb.
61	Tornillo de placa culata-a-válvula	100 in. lb.

Secuencia de torsión: Ajuste el perno del cabezal (Ref. N° 6) en un diseño en cruz comenzando en el centro. Vuelva a verificar el momento de torsión cada 3 meses.

Cabezales Para Compresores de Aire de Dos Etapas Speedaire®

GARANTIA LIMITADA

GARANTIA LIMITADA DE DAYTON POR DOS AÑOS. DAYTON ELECTRIC MFG. CO. (DAYTON) LE GARANTIZA AL USUARIO ORIGINAL QUE LOS MODELOS TRATADOS EN ESTE MANUAL LAS CABEZALES PARA COMPRESORES DE AIRE DE DOS ETAPAS SPEEDAIRE® ESTAN LIBRES DE DEFECTOS EN LA MANO DE OBRA O EL MATERIAL, CUANDO SE LES SOMETE A USO NORMAL, POR DOS AÑOS A PARTIR DE LA FECHA DE COMPRA. CUALQUIER PARTE QUE SE HALLE DEFECTUOSA, YA SEA EN EL MATERIAL O EN LA MANO DE OBRA, Y SEA DEVUELTA (CON LOS COSTOS DE ENVIO PAGADOS POR ADELANTADO) A UN CENTRO DE SERVICIO AUTORIZADO DESIGNADO POR DAYTON, SERA REPARADA O REEMPLAZADA (NO EXISTE OTRA POSIBILIDAD) SEGUN LO DETERMINE DAYTON. PARA OBTENER INFORMACION SOBRE LOS PROCEDIMIENTOS DE RECLAMO CUBIERTOS EN LA GARANTIA LIMITADA, VEA LA SECCION "ATENCION OPORTUNA" QUE APARECE MAS ADELANTE. ESTA GARANTIA LIMITADA CONFIERE AL COMPRADOR DERECHOS LEGALES ESPECIFICOS QUE VARIAN DE JURISDICCION A JURISDICCION.

LIMITES DE RESPONSABILIDAD. EN LA MEDIDA EN QUE LAS LEYES APLICABLES LO PERMITAN, LA RESPONSABILIDAD DE DAYTON POR LOS DAÑOS EMERGENTES O INCIDENTALES ESTA EXPRESAMENTE EXCLUIDA. LA RESPONSABILIDAD DE DAYTON EXPRESAMENTE ESTA LIMITADA Y NO PUEDE EXCEDER EL PRECIO DE COMPRA PAGADO POR EL ARTICULO.

EXCLUSION DE RESPONSABILIDAD DE LA GARANTIA. SE HAN HECHO ESFUERZOS DILIGENTES PARA PROPORCIONAR INFORMACION E ILUSTRACIONES APROPIADAS SOBRE EL PRODUCTO EN ESTE MANUAL; SIN EMBARGO, ESTA INFORMACION Y LAS ILUSTRACIONES TIENEN COMO UNICO PROPOSITO LA IDENTIFICACION DEL PRODUCTO Y NO EXPRESAN NI IMPLICAN GARANTIA DE QUE LOS PRODUCTOS SEAN VENDIBLES O ADECUADOS PARA UN PROPOSITO EN PARTICULAR NI QUE SE AJUSTAN NECESARIAMENTE A LAS ILUSTRACIONES O DESCRIPCIONES. CON EXCEPCION DE LO QUE SE ESTABLECE A CONTINUACION, DAYTON NO HACE NI AUTORIZA NINGUNA GARANTIA O AFIRMACION DE HECHO, EXPRESA O IMPLICITA, QUE NO SEA ESTIPULADA EN LA "GARANTIA LIMITADA" ANTERIOR.

Consejo Técnico y Recomendaciones, Exclusiones de Responsabilidad. A pesar de las prácticas, negociaciones o usos comerciales realizados previamente, las ventas no deberán incluir el suministro de consejo técnico o asistencia o diseño del sistema. Dayton no asume ninguna obligación o responsabilidad por recomendaciones, opiniones o consejos no autorizados sobre la elección, instalación o uso de los productos.

Adaptación del Producto. Muchas jurisdicciones tienen códigos o regulaciones que rigen la venta, la construcción, la instalación y/o el uso de productos para ciertos propósitos que pueden variar con respecto a los aplicables a las zonas vecinas. Si bien se trata de que los productos Dayton cumplan con dichos códigos, no se puede garantizar su conformidad y no se puede hacer responsable por la forma en que se instale o use su producto. Antes de comprar y usar el producto, revise su aplicación y todos los códigos y regulaciones nacionales y locales aplicables y asegúrese de que el producto, la instalación y el uso los cumplan.

Ciertos aspectos de limitación de responsabilidad no se aplican a productos al consumidor; es decir (a) algunas jurisdicciones no permiten la exclusión ni limitación de daños incidentales o consecuentes, de modo que las limitaciones o exclusiones anteriores quizás no apliquen en su caso; (b) asimismo, algunas jurisdicciones no permiten limitar el plazo de una garantía implícita, por lo tanto, la limitación anterior quizás no aplique en su caso; y (c) por ley, mientras la Garantía Limitada esté vigente no podrán excluirse ni limitarse en modo alguno ninguna garantía implícita de comercialización o de idoneidad para un propósito en particular aplicables a los productos al consumidor adquiridos por éste.

Atención Oportuna. Se hará un esfuerzo de buena fe para corregir puntualmente, o hacer otros ajustes, con respecto a cualquier producto que resulte defectuoso dentro de los términos de esta garantía limitada. En el caso de que encuentre un producto defectuoso y que esté cubierto dentro de los límites de esta garantía haga el favor de escribir primero, o llame, al distribuidor a quien le compró el producto. El distribuidor le dará las instrucciones adicionales. Si no puede resolver el problema en forma satisfactoria, escriba a Dayton a la dirección a continuación, dando el nombre del distribuidor, su dirección, la fecha y el número de la factura del distribuidor y describa la naturaleza del defecto. La propiedad del artículo y el riesgo de pérdida pasan al comprador en el momento de la entrega del artículo a la compañía de transporte. Si el producto se daña durante el transporte, debe presentar su reclamo a la compañía transportista.

Fabricado para Dayton Electric Mfg. Co., 5959 W. Howard St., Niles, Illinois 60714-4014 EE.UU.

**Fabricado para la compañía Dayton Electric Mfg. Co.
Niles, Illinois 60714 U.S.A.**

SPEEDAIRE®
//

Veillez lire et conserver ces instructions. Lire attentivement avant de commencer à assembler, installer, faire fonctionner ou entretenir l'appareil décrit. Protégez-vous et les autres en observant toutes les informations sur la sécurité. Négliger d'appliquer ces instructions peut résulter en des blessures corporelles et/ou en des dommages matériels ! Conserver ces instructions pour références ultérieures.

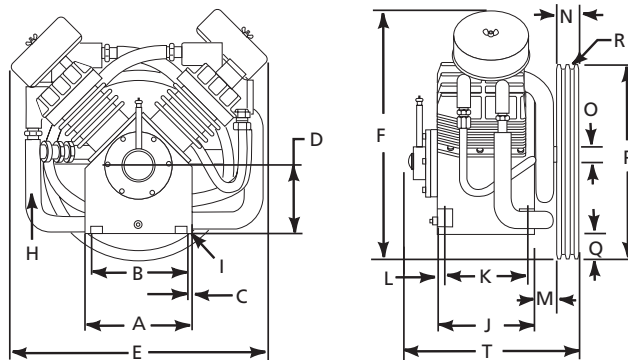
Speedaire® Pompe pour Compresseur d'Air À Deux Étages

Se référer au Formulaire 5S5979 pour les Instructions d'Utilisation et de Sécurité Générales

Pour garantie et service 1-888-606-5587

Ne pas retourner à la succursale

ROTATION DU VOLANT
À LA GAUCHE SI EN
FACE DU VOLANT



Série En Fonte

Dimensions

Réf.	Article	Dim. (cm)	
		4B248C	5Z405E
A	Base-largeur	28,9	28,9
B	Largeur de boulonnage	24,5	24,5
C	Du boulon au bord	2,2	2,2
D	Base à manivelle CTR	17,8	17,8
E	Largeur générale	72,4	63,5
F	Hauteur générale	66,0	54,6
H	Ouverture d'échap. HP (collecteur)	1,9	1,9
I	Dia. du trou de boulonnage	1,4	1,4
J	Base-profondeur	25,7	25,7

Réf.	Article	Dim. (cm)	
		4B248C	5Z405E
K	Boulonnage-profondeur	20,5	20,5
L	Boulonnage au bord	2,5	2,5
M	Boulon au volant (max.) en bas	9,9	9,9
N	Largeur du volant	7,0	5,1
O	Diamètre de manivelle	3,5	3,5
P	Diamètre du volant	49,2	41,9
Q	Abaissement du volant	4,3	3,2
R	Rainures du volant	2 VB	2 VB
T	Prof. générale	49,5	47,0

Spécifications

Alésage et Coup (cm)	Déplacement / Coup	Cylindres	Capacité D'huile	Type D'huile	Poids (Kg)	kPa Max.
12,1 x 7,6 (2 LP) 6,4 x 7,6 (2 HP)	0,0017 cu - m	4	3,8 L	ISO 100 (SAE 30)	106,6 (5Z405E) 122,5 (4B248C)	1207 kPa

Rendement

Modèles	Pression de Décharge	HP du Moteur	Déplacement pi³/min	Débit pi³/min	Pompe trs/min.	Diamètre extérieur approx. de la Poulie	Diamètre approx. d'incl. de poulie (•)
5Z405E	690 kPa	10	49,8	40,0	808	19,7	18,8
	862 kPa	10	46,8	37,0	760	18,7	17,8
	1034 kPa	10	44,4	35,0	720	17,7	16,8
	1207 kPa	10	42,2	34,2	685	17,2	16,3
4B248C	690 kPa	15	62,8	52,0	1020	28,9	27,9
	965 kPa	15	62,8	51,5	1020	28,9	27,9
	1207 kPa	15	62,8	51,0	1020	28,9	27,9

Toutes les données sont basées sur un moteur électrique 1725 tr/min avec un facteur de service 1.15.

REMARQUE: Le taux de débit est déterminé conformément aux codes d'essai de puissance ASME des États-Unis.

(•) Données basées sur des courroies et poulies section B. Pour un fonctionnement continu, réduire la poulie de moteur par une taille.

ATTENTION

Ne pas dépasser les trs/min. indiqués sur le tableau

Commandez les pièces détachées en appelant gratuitement 1 800 323-0620

24 heures par jour – 365 jours par an

S'il vous plaît fournir l'information suivante :

- Numéro de modèle
- Numéro de série (s'il y en a un)
- Description de la pièce et son numéro comme montré sur la liste de pièces

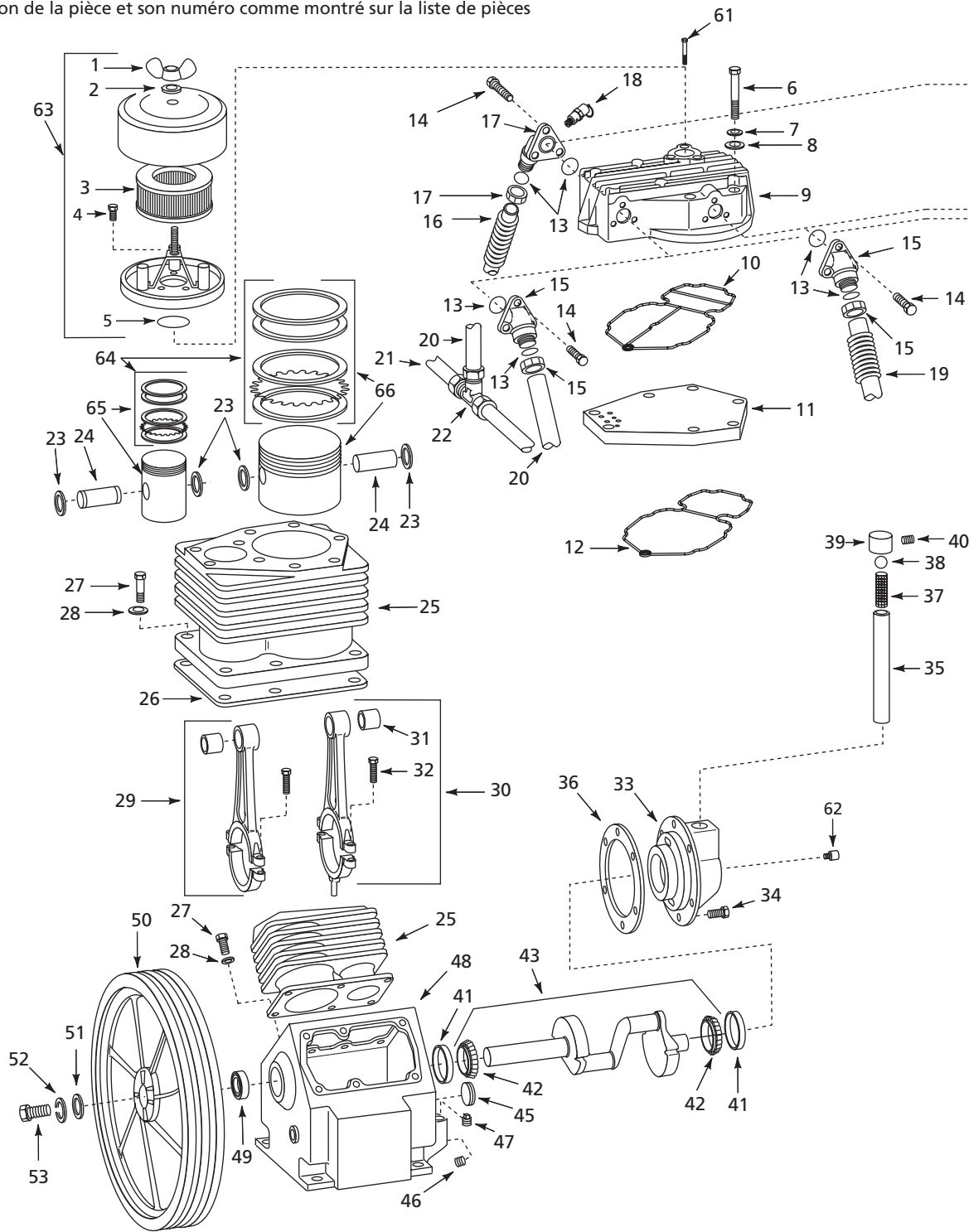


Figure 1 – Illustration De Pièces Détachées pour Modèles 4B248C et 5Z405E

FRANÇAIS

Modèles 4B248C et 5Z405E

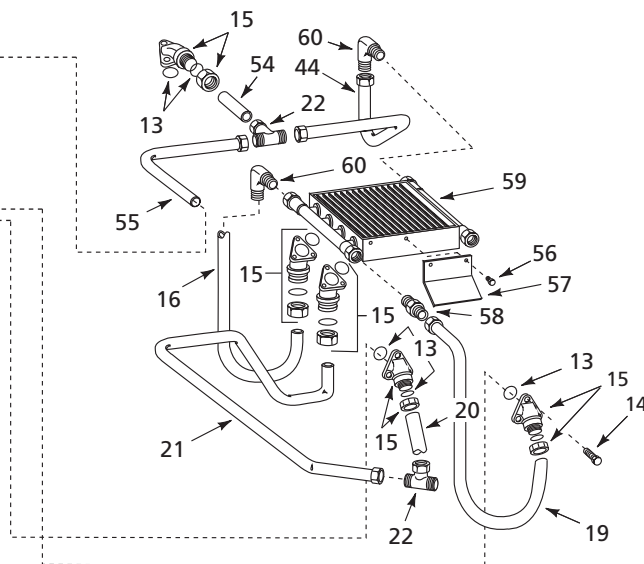


Figure 1 – Illustration De Pièces Détachées pour Modèle 4B248C seulement

Liste des pièces détachées pour Pompe pour Compresseur d’Air À Deux Étages

N° de réf.	Description	Numéro de Pièce pour Modèles:		Qté
		4B248C	5Z405E	
1	Écrou à oreilles 1/4-20	*	*	1
2	Rondelle 1/4 po	*	*	1
3	Cartouche filtrante	TF060504AV	1R416	1
4	Vis 1/4-20 x 1/2 po	TF004801AV	TF004801AV	3
5	Joint d’étanchéité (Inclus avec Réf. #63)	—	—	1
6	Vis 3/8-16 x 3 1/2 po	*	*	18
7	Rondelle de Bellville 3/8 po	*	*	18
8	Rondelle ordinaire 3/8 po	ST057700AV	ST057700AV	18
9	Culasse	TF066202AV	TF066202AV	2
10	▲ Joint torique, culasse à plaque de soupape	TF066800AV	TF066800AV	2
11	Assemblage de plaque de soupape	TF066300AJ	TF066300AJ	2
12	▲ Joint torique., cylindre à plaque de soupape	TF067000AV	TF067000AV	2
13	▲ Joint torique	ST070186AV	ST070186AV	12
14	Vis 1/4-20 x 3/4 po	ST120200AV	ST120200AV	24
15	Assemblage de raccords de tuyauterie	TF060402AJ	TF060402AJ	4
16	Refroidisseur interne, cyl. droit (face au volant)	TX033700AP	TX000900BH	1
17	Assemblage de raccords de tuyauterie	TF060403AJ	TF060403AJ	2
18	Soupape de sûreté	V-208900AV	V-208900AV	2
19	Refroidisseur int., cyl. gauche (face au volant)	TX033600AP	TX000800BH	1
20	Tuyau flexible de refoulement	TX032000AP	TX032000AP	1
21	Tuyau transversal	TX031600AP	TX031600AP	1
22	Té de compression 3/4 po	ST072110AV	ST072110AV	2
23	Bague de retenue	ST059400AV	ST059400AV	8
24	Axe de piston	TF000500AV	TF000500AV	4

FRANÇAIS

Speedaire® Pompes pour Compresseur d'Air À Deux Étages

Liste des pièces détachées pour Pompe pour Compresseur d'Air À Deux Étages (Suite)

N° de réf.	Description	Numéro de Pièce pour Modèles:		Qté
		4B248C	5Z405E	
25	Cylindre	TF058000AG	TF058000AG	2
26 ▲	Joint d'étanchéité, cyl. au carter	XA006200AV	XA006200AV	2
27	Vis à tête hexagonale 3/8-24 x 1 po	ST067200AV	ST067200AV	12
28	Rondelle 3/8 po	ST077802AV	ST077802AV	12
29	Assemblage de bielle sans plongeur	TF057802AJ	TF057802AJ	2
30	Assemblage de bielle avec plongeur	TF057801AJ	TF057801AJ	2
31	Roulement à aiguilles	ST051100AV	ST051100AV	4
32	Vis à tête creuse 5/16-18 x 11/2 po	*	*	8
33	Chapeau de palier	TF060901AV	TF060901AV	1
34	Vis d'arrêt 5/16-18 x 3/4 po	*	*	6
35	Tube de reniflard	TW003600AV	TW003600AV	1
36 ▲	Joint d'étanchéité 0.015 po	XA006102AV	XA006102AV	1
	Joint d'étanchéité 0.024 po (pas indiqué)	XA006103AV	XA006103AV	1
37	Engrènement de reniflard	TF064501AV	TF064501AV	1
38	Bille de reniflard	ST094700AV	ST094700AV	1
39	Capuchon de reniflard	TW003800AG	TW003800AG	1
40	Vis de pression 1/4-20 x 3/8 po	*	*	1
41	Cuvette de roulement	ST066200AV	ST066200AV	2
42	Cône de roulement	ST067000AV	ST067000AV	2
43	Vilebrequin avec cônes de roulement	TX034400AJ	TX034400AJ	1
44	Tuyau flexible de refoulement	TX033800AP	—	1
45	Indicateur de niveau d'huile	TF050101AV	TF050101AV	1
46	Bouchon de vidange 1/4-18 NPT	ST072917AV	ST072917AV	1
47	Bouchon de remplissage 1/2-14 NPT	ST066400AV	ST066400AV	1
48	Assemblage de carter avec roulements	TX028000AJ	TX028000AJ	1
49	Bague d'étanchéité	ST066901AV	ST066901AV	1
50	Volant	TX034800AV	PU016700AV	1
51	Rondelle	TX034600AV	TX034600AV	1
52	Rondelle-frein	ST071015AV	ST071015AV	1
53	Vis de torsion	TX034700AV	TX034700AV	1
54	Tuyau flexible de refoulement	TX032001AP	—	1
55	Tuyau flexible de refoulement	TX033500AP	—	1
56	Vis 1/4-20 x 5/8 po	*	—	4
57	Support	TX033100AV	—	2
58	Raccord de compression droit	ST072024AV	—	1
59	Refroidisseur interne	TX032700AV	—	1
60	Coude 90°	ST072231AV	—	2
61	Vis, culasse à plaque de soupape	ST074423AV	ST074423AV	2
62	Raccord réducteur de filtre d'huile	TW013200AV	TW013200AV	1

Modèles 4B248C et 5Z405E

Liste des pièces détachées pour Pompe pour Compresseur d'Air À Deux Étages (Suite)

N° de réf.	Description	Numéro de Pièce pour Modèles:		Qté
		4B248C	5Z405E	
NÉCESSAIRES DE REMPLACEMENT ET ACCESSOIRES				
63	Nécessaire de filtre (# Réf 1-5 compris)	TF060503AV	TF060500AV	2
64	Nécessaire de bagues	TF006900AJ	TF006900AJ	2
65	Assemblage de piston de haute pression	TF002300AJ	TF002300AJ	2
66	Assemblage de piston de basse pression	TF002400AJ	TF002400AJ	2
▲	Kit de joint d'étanchéité et joint torique	TF061601AJ	TF061601AJ	2
■ †	Adaptateur de prise à air fileté	TF060502AV	TF060502AV	2
● †	Nécessaire de filtre à air fileté	4Z680	4Z680	2
◆ †	Déchargeur de fonct. continu (Load Genie)	4TK14	4TK14	1
*	Objet de quincaillerie ordinaire, disponible sur place.			
(■)	Nécessaire d'adaptateur en option fournit des filets 1 po NPT à la tête de la pompe. Requiert la tuyauterie entre la pompe et le nécessaire de filtre 4Z680.			
(●)	Nécessaire de filtre requiert pour le nécessaire d'adaptateur en option TF060502AV.			
(†)	En option.			

NÉCESSAIRES DE PIÈCES DÉTACHÉES ET D'ENTRETIEN

5Z707 (5Z405E seulement) Nécessaire d'entretien 90-jours comprend l'huile pour compresseur, filtre à air et guide d'inspection et entretien.

VALEUR DE TORSION

No. de Réf.	Description	Torsion
6	Vis, culasse 3/8-16	42 lb-pi
27	Vis, cylindre 3/8-24	15 lb-pi
32	Vis, bielle 5/16-18	14 lb-pi
34	Vis, chapeau de palier 5/16-18	14 lb-pi
53	Vis de torsion, volant 1/2 po	50 lb-pi
61	Vis, culasse à plaque de soupape	100 lb-pi

Séquence de mise au couple : Resserrer le boulon de tête (réf. No 6) dans un motif croisé en commençant au centre. Revérifier le couple tous les 3 mois.

Speedaire® Pompe pour Compresseur d'Air À Deux Étages

GARANTIE LIMITÉE

GARANTIE LIMITÉE DE DEUX ANS DE DAYTON. LES MODÈLES POMPE POUR COMPRESSEUR D'AIR À DEUX ÉTAGES DE SPEEDAIRE® COUVERTS DANS CE MANUEL SONT GARANTIS À L'UTILISATEUR D'ORIGINE PAR DAYTON ELECTRIC MFG. CO. (DAYTON), CONTRE TOUT DÉFAUT DE FABRICATION OU DE MATÉRIAUX, LORS D'UNE UTILISATION NORMALE, ET CELA PENDANT DEUX ANS APRÈS LA DATE D'ACHAT. TOUTE PIÈCE, DONT LES MATÉRIAUX OU LA MAIN D'OUVRE SERONT JUGÉS DÉFECTUEUX, ET QUI SERA RENVOYÉE PORT PAYÉ, À UN CENTRE DE RÉPARATION AUTORISÉ PAR DAYTON, SERA, À TITRE DE SOLUTION EXCLUSIVE, SOIT RÉPARÉE, SOIT REMPLACÉE PAR DAYTON. POUR LE PROCÉDÉ DE RÉCLAMATION SOUS GARANTIE LIMITÉE, REPORTEZ-VOUS À LA CLAUSE DE « DISPOSITION PROMPTE » CI-DESSOUS. CETTE GARANTIE LIMITÉE DONNE AUX ACHETEURS DES DROITS LÉGAUX SPÉCIFIQUES QUI VARIENT DE JURIDICTION À JURIDICTION.

LIMITES DE RESPONSABILITÉ. LA RESPONSABILITÉ DE DAYTON, DANS LES LIMITES PERMISES PAR LA LOI, POUR LES DOMMAGES INDIRECTS OU FORTUITS EST EXPRESSEMENT DÉNIÉE. DANS TOUS LES CAS LA RESPONSABILITÉ DE DAYTON EST LIMITÉE ET NE DÉPASSERA PAS LA VALEUR DU PRIX D'ACHAT PAYÉ.

DÉSISTEMENT DE GARANTIE. DE DILIGENTS EFFORTS SONT FAITS POUR FOURNIR AVEC PRÉCISION LES INFORMATIONS ET ILLUSTRATIONS DES PRODUITS DÉCRITS DANS CETTE BROCHURE; CEPENDANT, DE TELLES INFORMATIONS ET ILLUSTRATIONS SONT POUR LA SEULE RAISON D'IDENTIFICATION, ET N'EXPRIMENT NI N'IMPLIQUENT QUE LES PRODUITS SONT COMMERCIALISABLES, OU ADAPTABLES À UN BESOIN PARTICULIER, NI QUE CES PRODUITS SONT NÉCESSAIREMENT CONFORMES AUX ILLUSTRATIONS OU DESCRIPTIONS. SAUF POUR CE QUI SUIT, AUCUNE GARANTIE OU AFFIRMATION DE FAIT, ÉNONCÉE OU IMPLICITE, AUTRE QUE CE QUI EST ÉNONCÉ DANS LA « GARANTIE LIMITÉE » CI-DESSUS N'EST FAITE OU AUTORISÉE PAR DAYTON.

Désistement sur les conseils techniques et les recommandations. Peu importe les pratiques ou négociations antérieures ou les usages commerciaux, les ventes n'incluent pas l'offre de conseils techniques ou d'assistance ou encore de conception de système. Dayton n'a aucune obligation ou responsabilité quant aux recommandations non autorisées, aux opinions et aux suggestions relatives au choix, à l'installation ou à l'utilisation des produits.

Conformité du produit. De nombreuses juridictions ont des codes et règlements qui gouvernent les ventes, constructions, installations et/ou utilisations de produits pour certains usages qui peuvent varier par rapport à ceux d'une zone voisine. Bien que Dayton essaie de s'assurer que ses produits s'accordent avec ces codes, Dayton ne peut garantir cet accord, et ne peut être jugée responsable pour la façon dont le produit est installé ou utilisé. Avant l'achat et l'usage d'un produit, revoir les applications de ce produit, ainsi que tous les codes et règlements nationaux et locaux applicables, et s'assurer que le produit, son installation et son usage sont en accord avec eux.

Certains aspects de désistement ne sont pas applicables aux produits pour consommateur; ex : (a) certaines juridictions ne permettent pas l'exclusion ou la limitation des dommages indirects ou fortuits et donc la limitation ou exclusion ci-dessus peut ne pas s'appliquer dans le cas présent; (b) également, certaines juridictions n'autorisent pas de limitations de durée de la garantie implicite, en conséquence, la limitation ci-dessus peut ne pas s'appliquer dans le cas présent; et (c) par force de loi, pendant la période de cette Garantie Limitée, toutes garanties impliquées de commerciabilité ou d'adaptabilité à un besoin particulier applicables aux produits de consommateurs achetés par des consommateurs, peuvent ne pas être exclues ni autrement désistées.

Disposition prompte. Un effort de bonne foi sera fait pour corriger ou ajuster rapidement tout produit prouvé défectueux pendant la période de la garantie limitée. Pour tout produit considéré défectueux pendant la période de garantie limitée, contacter tout d'abord le concessionnaire où l'appareil a été acheté. Le concessionnaire doit donner des instructions supplémentaires. S'il est impossible de résoudre le problème de façon satisfaisante, écrire à Dayton à l'adresse ci-dessous, en indiquant le nom et l'adresse du concessionnaire, la date et le numéro de la facture du concessionnaire, et en décrivant la nature du défaut. Le titre et le risque de perte passent à l'acheteur au moment de la livraison par le transporteur. Si le produit a été endommagé pendant le transport, une réclamation doit être faite auprès du transporteur.

Fabriqué pour Dayton Electric Mfg. Co., 5959 W. Howard St., Niles, Illinois 60714-4014 États-Unis

