



120-Volt Inflator **Gonfleur De** **120-Volts** **Inflador de 120-Volt**

Operating Instructions
Instructions d'Utilisation
Manual de Instrucciones

RP4200



FRANÇAISE: Page 8
ESPAÑOL: Página 14

IN728400AV 9/09

Table of Contents

Description.....	3
Unpacking	3
Specifications.....	3
Safety Guidelines	4
Safety Symbols	4
Important Safety Information.....	4
Instructions Pertaining to a Risk of Fire, Electric Shock, or Injury to Persons	4
California Proposition 65	4
General Safety.....	4
Preparation	5
Grounding Instructions	5
Extension Cords	5
Instructions for Mounting Wall Hanger	5
Grounded Extension Cords for 120V / 3 Amp Unit	5
Operation	6
For Low Pressure Inflation - Inflation Of Items That Require Less Than 20 psi	6
For Standard Tire Inflation - Inflation Of Tires Between 20 psi and 99 psi.....	6
Maintenance	6
Instructions for Replacing Fuse	6
Troubleshooting Chart	7
Limited Warranty	7
Notes	20

For parts, product and service information

Visit: www.chpower.com

Call: Customer Service at 1-800-543-6400

Address any correspondence to:

Campbell Hausfeld
Attn: Customer Service
100 Production Drive
Harrison, OH 45030 U.S.A.



120-Volt Inflator



Description

The 120-volt inflator comes with 2 inflation needles. The inflator can be used for inflating car and bike tires, soccer balls, beach balls and other sporting equipment.

Unpacking

When unpacking this product, carefully inspect for any damage that may have occurred during transit.

Specifications

Model RP4200

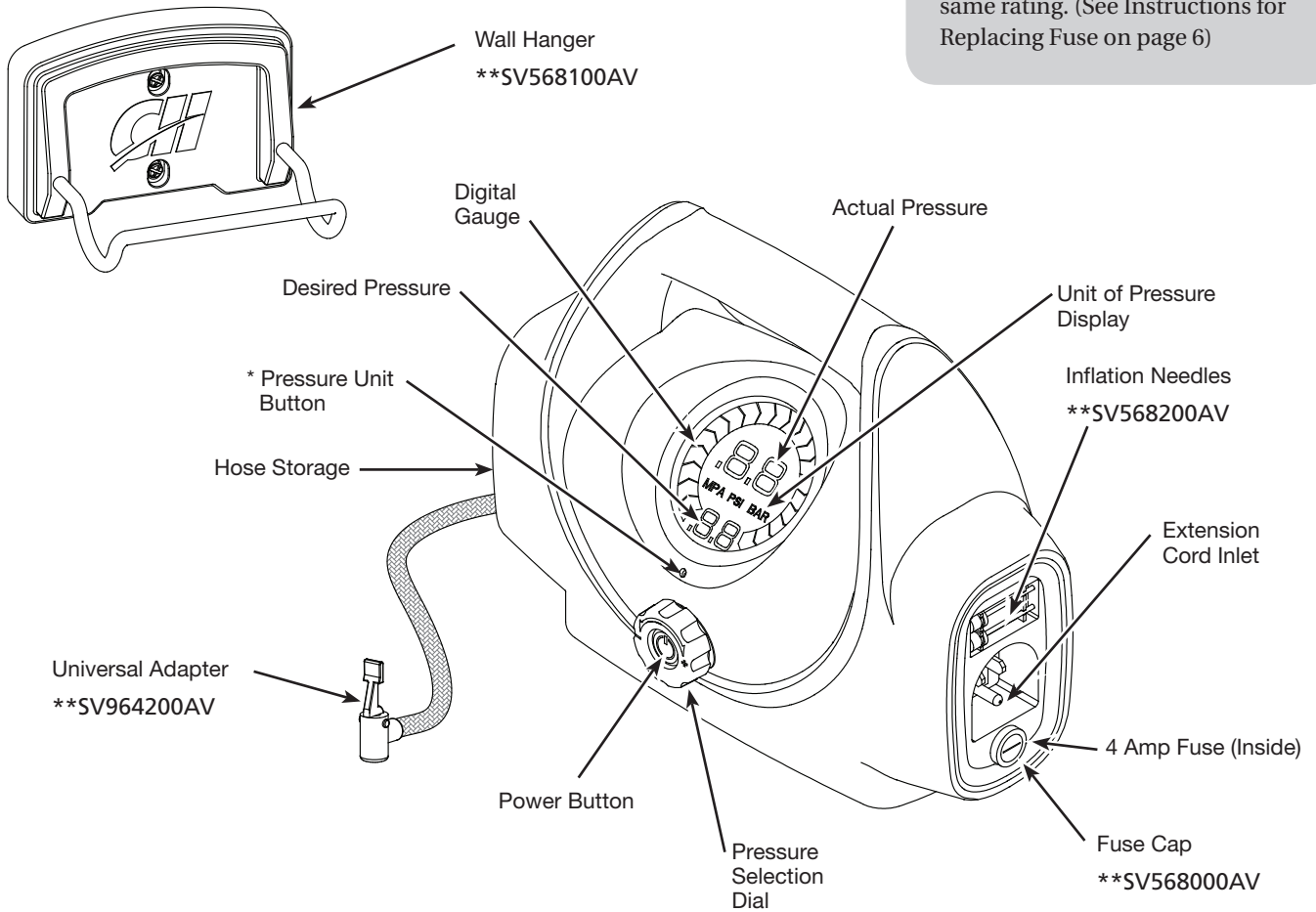
Pressure Range: 0 psi to 99 psi

Weight: 4.5 lbs

Input Rating: 120 Volt~, 60 Hz, 3 A

Hose Length: 24 inches

Fuse: UL recognized or listed 0.25 x 1.23 inch. Replace only with fuse with same rating. (See Instructions for Replacing Fuse on page 6)



* Use a pin size object to select the pressure unit desired (psi, kPa, or bar).
** Replacement Part Numbers

Figure 1 - RP4200

NOTE: Extension cord required for use with this unit.

Safety Guidelines

This manual contains information that is very important to know and understand. This information is provided for SAFETY and to PREVENT EQUIPMENT PROBLEMS. To help recognize this information, observe the following symbols.

▲ DANGER Danger indicates an imminently hazardous situation which, if not avoided, WILL result in death or serious injury.

▲ WARNING Warning indicates a potentially hazardous situation which, if not avoided, COULD result in death or serious injury.

▲ CAUTION Caution indicates a potentially hazardous situation which, if not avoided, MAY result in minor or moderate injury.

NOTICE Notice indicates important information, that if not followed, may cause damage to equipment.

IMPORTANT: Information that requires special attention.

Safety Symbols

The following Safety Symbols appear throughout this manual to alert you to important safety hazards and precautions.



Read manual first



Risk of overinflation



Risk of electrical shock

Important Safety Information

INSTRUCTIONS PERTAINING TO A RISK OF FIRE, ELECTRIC SHOCK, OR INJURY TO PERSONS

This manual contains important safety, operational and maintenance information. If you have any questions, please call 1-800-543-6400 for customer assistance.

▲ WARNING When using tools, basic precautions should always be followed, including the following:

CALIFORNIA PROPOSITION 65

▲ WARNING This product or its power cord may contain chemicals, including lead, known to the State of California to cause cancer and birth defects or other reproductive harm. Wash hands after handling.

GENERAL SAFETY

Completely read the manual included with this product carefully. Be thoroughly familiar with the proper use of the unit.



Any misuse of unit could cause property or equipment damage and/or personal injury.

▲ WARNING Do not leave the inflator unattended while the unit is running.

▲ WARNING Unit must be securely and adequately grounded. See grounding instructions and extension cord information in this manual.

▲ WARNING Never exceed the recommended pressure for any inflatable object. Do not over inflate objects. Over inflation could cause property damage and/or personal injury.



▲ WARNING Risk of bursting. Do not adjust regulator (pressure select dial) to result in output pressure greater than marked maximum pressure of attachment.

▲ WARNING Do not allow inflator to run unattended while in "LO" setting.

▲ WARNING The universal adapter must be locked to secure the inflation accessories. Use extreme caution when using inflation accessories.

▲ CAUTION Always use a separate pressure gauge to check the actual pressure in tires and in low pressure inflatable objects.

NOTICE Do not use inflator on high pressure tires used on large trucks such as tractor trailers. The inflator is not designed to operate for the length of time necessary to inflate these tires.

NOTICE Make sure the universal adapter touches the core or tire valve stem.

NOTICE This inflator is for household use only.

**SAVE THESE INSTRUCTIONS
DO NOT DISCARD**

Preparation

GROUNDING INSTRUCTIONS

1. **THIS UNIT REQUIRES THE USE OF AN EXTENSION CORD TO OPERATE.**
2. This product must be grounded. In the event of an electrical short circuit, grounding reduces risk of electrical shock by providing an escape wire for electric current. This product is intended for use with a grounded extension cord with an appropriate grounding plug. Plug must be plugged into an outlet that is properly installed and grounded in accordance with all local codes and ordinances.

⚠ DANGER *Improper use of grounding plug can result in a possible risk of electrical shock!*



NOTE: Do not use grounding adapter.

3. Check with a qualified electrician or serviceman to ensure product is properly grounded. Do not modify plug provided; if plug will not fit outlet, have proper outlet installed by a qualified electrician.

⚠ WARNING *Never connect green (or green and yellow) wire to a live terminal.*

EXTENSION CORDS

1. An extension cord is required to supply power to the inflator.
2. Use only a 3-wire extension cord that has a 3-blade grounding plug, and a 3-slot receptacle that will accept plug on product. Cord should be at least SJT, SJTW, SJ, or SJO type. 18 AWG with NEMA 5-15P 125V/15A male and female plug.
3. Make sure extension cord is in good condition, and heavy enough to carry the current the product will draw. An undersized cord will cause a drop in line voltage resulting in loss of power and overheating.
4. The chart below shows correct size to use depending on cord length. If in doubt, use next heavier gauge.

NOTE: The smaller the gauge number, the heavier the cord.

INSTRUCTIONS FOR MOUNTING WALL HANGER

1. Remove wall hanger from box and packaging.
2. Remove 2 screws that are located in plastic bag containing manual and quick start guide.
3. Using a stud finder, locate a stud in wall to mount the hanger to. If stud cannot be located, use 2 hollow wall anchors (found at your local hardware store).
4. Once stud is located, mark both holes on the wall, using the wall hanger (1-5/8 inch center on center). See Figure 3.
5. Pre-drill holes with a 3/32 inch drill bit.
6. Fasten the wall hanger to the wall using the screws provided.

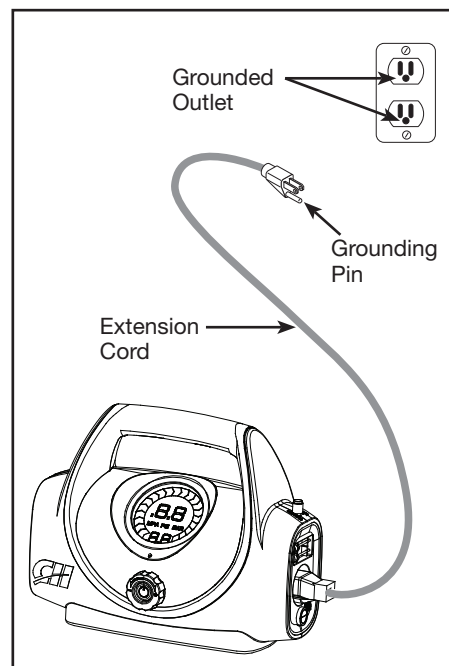


Figure 2 - Grounding

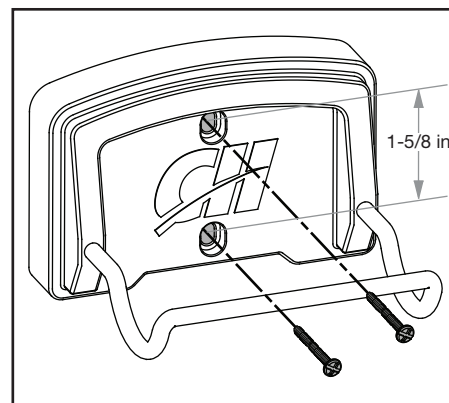


Figure 3 - Mount to wall with screws

Grounded Extension Cords for 120V / 3 Amp Unit									
Length of Cord (ft)	25	50	100	150	200	250	300	400	500
Gauge of Cord	18	18	16	14	12	12	10	10	8

Operation

THIS UNIT REQUIRES THE USE OF AN EXTENSION CORD TO OPERATE.

FOR LOW PRESSURE INFLATION - INFLATION OF ITEMS THAT REQUIRE LESS THAN 20 PSI

1. Plug a standard extension cord into the inflator's extension cord inlet.
- 2a. If inflating a low pressure **tire**, attach universal adapter to valve stem with the locking lever in the open/up position. Be sure to press the universal adapter onto the valve stem thread completely. Failure to do so could lead to loss of tire pressure during this process.
- b. If inflating a **sports ball**, insert a metal inflation needle into the universal adapter. Make sure the needle is secure in the adapter.
3. When the universal adapter is firmly in place, press the locking lever down (see Figure 4).
4. Turn pressure selector dial until the desired pressure field reads "LO" (LO setting is just below 20 psi setting). See Figure 5.
5. Press power button (see Figure 6).
6. When item reaches desired firmness, press power button again to stop inflation (see Figure 6). The actual pressure will then read on digital gauge.
7. If more inflation is needed, repeat steps 5 and 6.
8. Remove metal inflation needle and store, or raise universal adapter's locking lever and remove from valve stem.

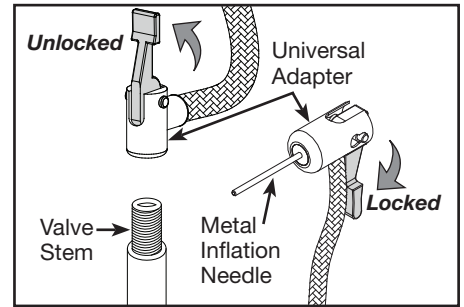


Figure 4 - Lock Universal Adapter Securely

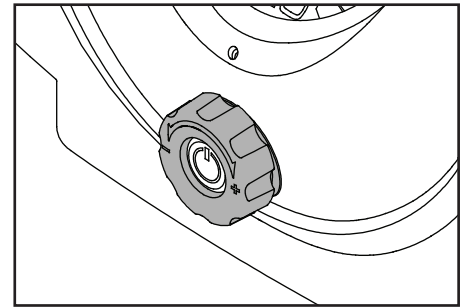


Figure 5 - Pressure Selector Dial

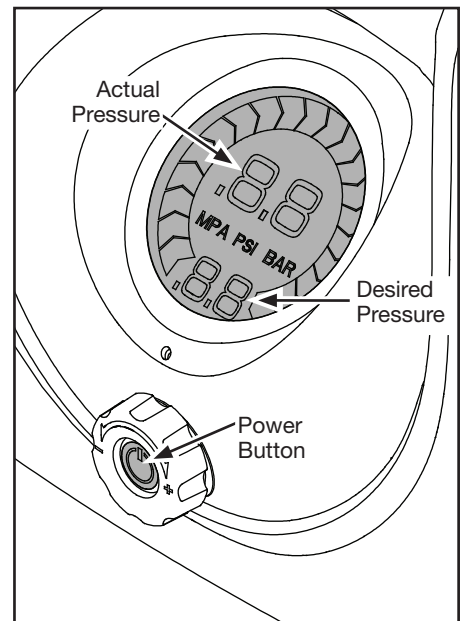


Figure 6 - Digital Pressure Gauge and Power Button

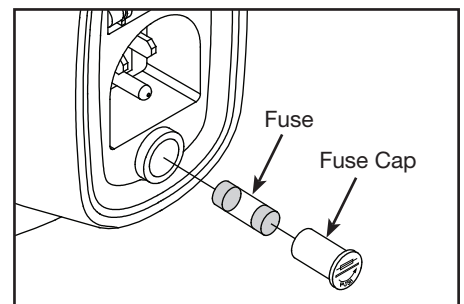


Figure 7 - Replace Fuse

⚠ WARNING *Overinflation can be dangerous. Pay attention while inflating low pressure items to prevent overinflation.*

⚠ WARNING *Do not allow inflator to run unattended while in "LO" setting.*

FOR STANDARD TIRE INFLATION - INFLATION OF TIRES BETWEEN 20 PSI AND 99 PSI

1. Plug a standard extension cord into the inflator's extension cord inlet.
2. Attach universal adapter to valve stem with the locking lever in the open/ up position. Be sure to press the universal adapter onto the valve stem thread completely. Failure to do so could lead to loss of tire pressure during this process.
3. When the universal adapter is firmly in place, press the locking lever down (see Figure 4).
4. Turn the pressure selector dial until desired pressure is reached (see Figure 5).
5. Press power button (see Figure 6). Unit will turn off automatically when set pressure is reached.
6. Raise the universal adapter's locking lever and remove from valve stem.

Maintenance

1. This product has no user serviceable parts and does not require lubrication.
2. Do not store outdoors. When not in use, store in a cool dry place.

INSTRUCTIONS FOR REPLACING FUSE

1. Shut off power to the unit.
2. Use a flathead screwdriver to turn fuse cap **counterclockwise**.
3. Replace old fuse with a 4A, 125V glass fuse.
4. Reinsert fuse cap so that the word PUSH is on top and the image (—≡—) is on the bottom.
5. Use a flathead screwdriver to turn fuse cap **clockwise**.

TECHNICAL SERVICE

For information regarding the operation or repair of this product, please call 1-800-543-6400.

Troubleshooting Chart

Symptom	Possible Cause(s)	Corrective Action
Gauge is not on	1. Defective extension cord or extension cord not plugged in 2. Home circuit breaker tripped 3. Inflator’s fuse is blown	1. Check extension cord 2. Reset home circuit breaker 3. Replace fuse (see page 6)
Inflator will not start	1. Red power button not pressed 2. Pressure in tire may be greater than the desired pressure setting	1. Press red power button 2. Release some pressure from the tire or reset desired pressure to a higher setting
Desired pressure unit not shown	Desired pressure not selected	Use a pin size object to change the desired pressure unit (psi, kPa, or bar) while inflator is connected to a power source. See page 3.
Inflator does not shut off	1. Faulty power connection 2. Item you are inflating has a hole or leaks 3. Inflator is not working properly	1. Disconnect extension cord. Reconnect. 2. Patch hole or leak 3. Call Customer Service at 1-800-543-6400

If problem can not be resolved, call 1-800-543-6400

Limited Warranty

1. DURATION: From the date of purchase by the original purchaser as follows: One Year.
2. WHO GIVES THIS WARRANTY (WARRANTOR): Campbell Hausfeld / Scott Fetzer Company, 100 Production Drive, Harrison, Ohio, 45030, Telephone: (800) 543-6400
3. WHO RECEIVES THIS WARRANTY (PURCHASER): The original purchaser (other than for purposes of resale) of the Campbell Hausfeld product.
4. WHAT PRODUCTS ARE COVERED BY THIS WARRANTY: Any Campbell Hausfeld nailer, stapler, air tool, spray gun, inflator or air accessory supplied or manufactured by Warrantor.
5. WHAT IS COVERED UNDER THIS WARRANTY: Substantial defects in material and workmanship which occur within the duration of the warranty period.
6. WHAT IS NOT COVERED UNDER THIS WARRANTY:
 - A. Implied warranties, including those of merchantability and FITNESS FOR A PARTICULAR PURPOSE ARE LIMITED FROM THE DATE OF ORIGINAL PURCHASE AS STATED IN THE DURATION. If this product is used for commercial, industrial or rental purposes, the warranty will apply for ninety (90) days from the date of purchase. Some States do not allow limitation on how long an implied warranty lasts, so the above limitations may not apply to you.
 - B. ANY INCIDENTAL, INDIRECT, OR CONSEQUENTIAL LOSS, DAMAGE, OR EXPENSE THAT MAY RESULT FROM ANY DEFECT, FAILURE, OR MALFUNCTION OF THE CAMPBELL HAUSFELD PRODUCT. Some States do not allow the exclusion or limitation of incidental or consequential damages, so the above limitation or exclusion may not apply to you.
 - C. Any failure that results from an accident, purchaser’s abuse, neglect or failure to operate products in accordance with instructions provided in the owner’s manual(s) supplied with product. Accident, purchaser’s abuse, neglect or failure to operate products in accordance with instructions shall also include the removal or alteration of any safety devices. If such safety devices are removed or altered, this warranty is void.
 - D. Normal adjustments which are explained in the owner’s manual(s) provided with the product.
 - E. Items or service that are normally required to maintain the product.
7. RESPONSIBILITIES OF WARRANTOR UNDER THIS WARRANTY: Repair or replace, at Warrantor’s option, products or components which are defective, have malfunctioned and/or failed to conform within duration of the warranty period.
8. RESPONSIBILITIES OF PURCHASER UNDER THIS WARRANTY:
 - A. Provide dated proof of purchase and maintenance records.
 - B. Call Campbell Hausfeld (800-543-6400) to obtain your warranty service options. Freight costs, if any, must be borne by the purchaser.
 - C. Use reasonable care in the operation and maintenance of the products as described in the owner’s manual(s).
9. WHEN WARRANTOR WILL PERFORM REPAIR OR REPLACEMENT UNDER THIS WARRANTY: Repair or replacement will be scheduled and serviced according to the normal work flow at the servicing location, and depending on the availability of replacement parts.

This Limited Warranty applies in the United States, Canada and Mexico only and gives you specific legal rights. You may also have other rights which vary from state to state or country to country.

Table des Matières

Description.....	F9
Déballage	F9
Spécifications.....	F9
Directives de Sécurité	F10
Symboles de Sécurité.....	F10
Importantes Instructions De Sécurité	F10
Instructions Portant Sur Un Risque d'Incendie, Un Choc Électrique Ou Des Blessures Aux Personnes.....	F10
Proposition 65 de Californie	F10
Généralités Sur La Sécurité	F10
Préparation	F11
Instructions de Mise à la Terre	F11
Cordons Prolongateurs.....	F11
Instructions Pour Un Support Mural De Montage.....	F11
Rallonges Mises À La Terre Pour Modèles 120V/3 A	F11
Pour Un Gonflement À Basse Pression — Gonflement Des Articles Qui Exigent Moins De 138 kPa (20 lb/po ²).....	F12
Pour Un Gonflement De Pneu Standard - Gonflement De Pneus Entre 138 kPa et 682 kPa (20 et 99 lb/po ²)	F12
Entretien	F12
Instructions pour Remplacer leFusible	F12
Service Technique	F12
Tableau de dépannage	F13
Garantie Limitée.....	F13
Notes	20

Pour de renseignements sur pièces de rechange, produits et entretien

APPELER : Service à la clientèle
au 1-800-543-6400

ADRESSER TOUTE CORRESPONDANCE À : Campbell Hausfeld
Attn: Customer Service
100 Production Drive
Harrison, OH 45030 U.S.A.



Gonfleur De 120-Volts



Description

Le gonfleur de 120 volts est fourni avec deux aiguilles de gonflage. Utilisez le gonfleur pour gonfler les pneus d'automobiles et de vélos, les ballons de football et de plage, et autre équipement sportif.

Déballage

Lors du déballage de ce produit, l'examiner soigneusement pour rechercher toute trace de dommage susceptible de s'être produit en cours de transport.

Spécifications

Modèle RP4200

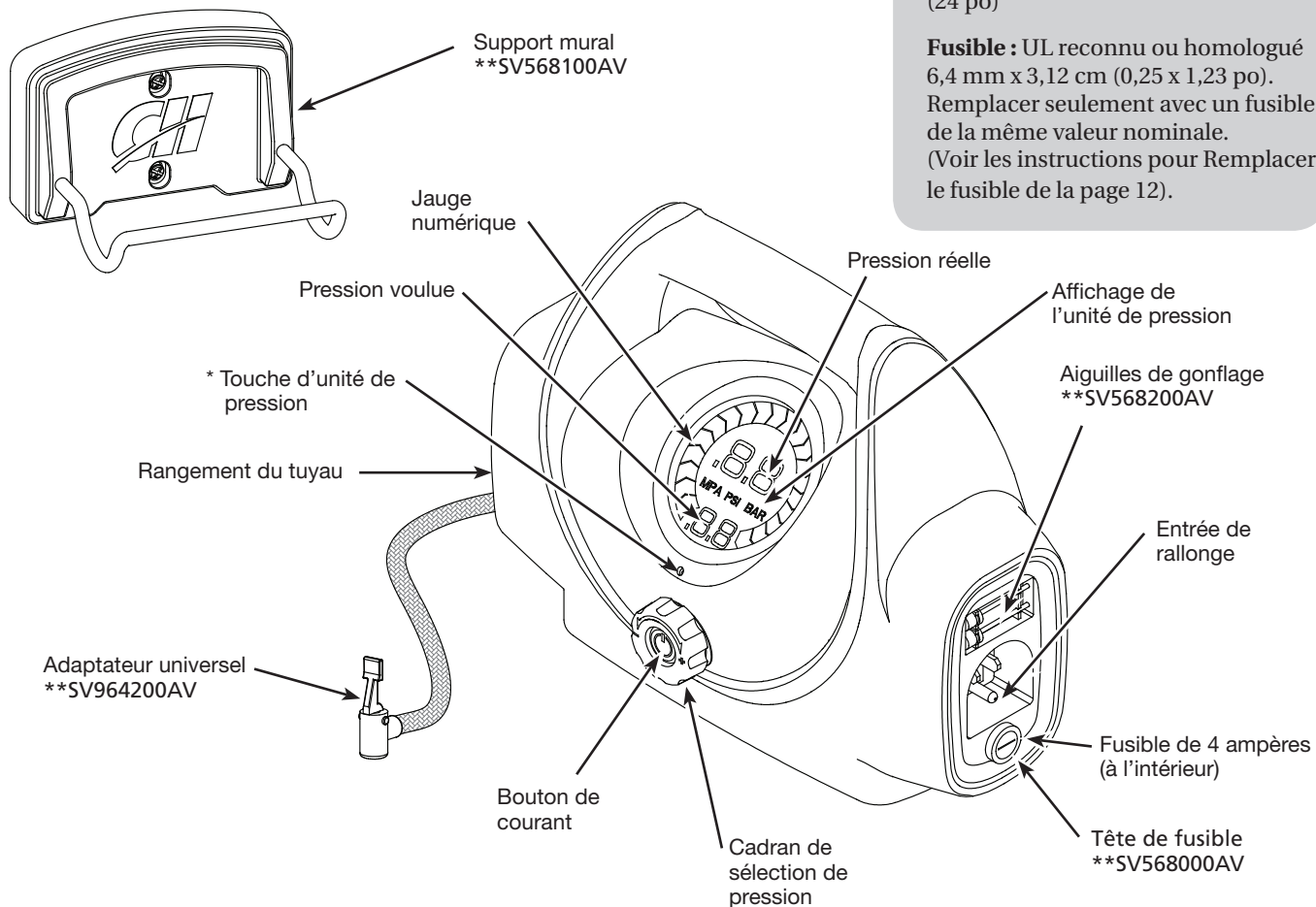
Plage de pression : 0 à 682 kPa
(0 à 99 lb/po²)

Poids : 2,04 kg (4,5 lb)

Valeur nominale d'entrée : 120 volts,
60 Hz, 3 A

Longueur de flexible : 60,96 cm
(24 po)

Fusible : UL reconnu ou homologué
6,4 mm x 3,12 cm (0,25 x 1,23 po).
Remplacer seulement avec un fusible
de la même valeur nominale.
(Voir les instructions pour Remplacer
le fusible de la page 12).



* Utiliser un objet de la taille d'une aiguille pour choisir l'unité de pression voulue (lb/po², kPa ou bar).

** Numéros de pièces de rechange

REMARQUE: Rallonge requise pour utiliser avec cette unité.

Figure 1 - RP4200

Directives de Sécurité

Ce manuel contient de l'information très importante qui est fournie pour la SÉCURITÉ et pour ÉVITER LES PROBLÈMES D'ÉQUIPEMENT. Rechercher les symboles suivants pour cette information.

▲ DANGER *Danger indique une situation dangereuse imminente qui MÈNERA à la mort ou à des blessures graves si elle n'est pas évitée.*

▲ AVERTISSEMENT *Avertissement indique une situation potentiellement dangereuse qui, si elle n'est pas évitée, POURRAIT mener à la mort ou à de graves blessures.*

▲ ATTENTION *Attention indique une situation potentiellement dangereuse qui, si elle n'est pas évitée, PEUT mener à des blessures mineures ou modérées.*

AVIS *Avis indique de l'information importante qui pourrait endommager l'équipement si elle n'est pas respectée.*

IMPORTANT : Information qui exige une attention spéciale.

Symboles de Sécurité

Les symboles de sécurité suivants apparaissent dans l'ensemble de ce manuel pour vous aviser des dangers et précautions importants de sécurité.



Lire le manuel d'abord



Risque de surgonflage



Risque de choc électrique

Importantes Instructions De Sécurité

Instructions Portant Sur Un Risque d'Incendie, Un Choc Électrique Ou Des Blessures Aux Personnes

Ce manuel contient des informations concernant la sécurité, le fonctionnement et l'entretien. Si vous avez des questions, appeler le 1-800-543-6400 pour le service à la clientèle.

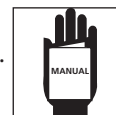
▲ AVERTISSEMENT *En utilisant les outils, il faut suivre les précautions de base, y compris ce qui suit :*

PROPOSITION 65 DE CALIFORNIE

▲ AVERTISSEMENT *Ce produit ou son cordon peuvent contenir des produits chimiques, y compris du plomb, relevés par l'État de Californie comme cause de cancer, d'anomalies congénitales ou d'autres problèmes reproductifs. Lavez-vous les mains après toute manipulation.*

GÉNÉRALITÉS SUR LA SÉCURITÉ

Lire attentivement et en entier le mode d'emploi qui accompagne ce produit. S'assurer de bien maîtriser les règles d'utilisation du compresseur.



Toute utilisation incorrecte de l'unité peut causer des dommages à la propriété ou à l'équipement ou encore des blessures.

▲ AVERTISSEMENT *Ne pas laisser le gonfleur en marche sans surveillance.*

▲ AVERTISSEMENT *Le modèle doit être mis à la terre correctement et avec sûreté. Voir les instructions de mise à la terre et l'information concernant l'utilisation de cordons prolongateurs dans ce manuel.*

▲ AVERTISSEMENT *Ne jamais dépasser la pression recommandée d'un objet gonflable. Ne pas sur-gonfler les objets. Le sur gonflage peut causer des dégâts matériels et/ou des blessures personnelles.*



▲ AVERTISSEMENT *Risque d'éclatement. Ne pas ajuster le régulateur (cadran de sélection de pression) peut mener à une pression de sortie dépassant la pression maximale indiquée de l'accessoire.*

▲ AVERTISSEMENT *Ne laissez pas le gonfleur fonctionner sans supervision au réglage « LO » (bas).*

▲ AVERTISSEMENT *Le raccord universel doit être barré pour maintenir les accessoires de gonflage en place solidement. Les accessoires de gonflage doivent être utilisés avec la plus grande*

▲ ATTENTION *Toujours utiliser un autre manomètre pour vérifier la pression actuelle dans les pneus et dans les objets gonflables de pression basse.*

AVIS *N'utilisez pas le gonfleur sur les pneus à haute pression utilisés sur les gros camions, comme les semi-remorques. Le gonfleur n'est pas fabriqué pour fonctionner la durée de temps nécessaire pour gonfler ces pneus.*

AVIS *S'assurer que l'adaptateur universel touche le noyau de la tige de soupape de pneu*

AVIS *Ce gonfleur est réservé à l'utilisation résidentielle.*

**CONSERVER CES INSTRUCTIONS
NE LES JETEZ PAS**

Préparation

INSTRUCTIONS DE MISE À LA TERRE

1. **CETTE UNITÉ DOIT AVOIR UNE RALLONGE POUR FONCTIONNER.**
2. Ce produit doit être mis à la terre. Dans l'événement d'un court-circuit, la mise à la terre diminue le risque de secousse électrique en fournissant un fil d'échappement pour le courant électrique. Ce produit est pour une utilisation avec une rallonge mise à la terre avec une fiche appropriée de mise à la terre. La fiche doit être branchée dans une prise de courant qui a été installée et mise à la terre correctement en respectant tous les codes et règlements locaux.

⚠ DANGER *L'usage incorrect d'une fiche mise à la terre peut résulter en secousse électrique!*



REMARQUE : Ne pas utiliser un adaptateur de mise à la terre.

3. Vérifier avec un électricien ou une personne qualifiée pour s'assurer que le modèle soit mis à la terre correctement. Ne pas modifier la fiche fournie; si la fiche n'est pas la bonne taille pour la prise de courant, contacter un électricien qualifié pour l'installation d'une nouvelle prise de courant.

⚠ AVERTISSEMENT *Ne jamais connecter le fil vert (ou vert et jaune) à une borne électrisé.*

CORDONS PROLONGATEURS

1. Il faut une rallonge pour alimenter le gonfleur.
2. Utiliser seulement un cordon prolongateur à 3-fils qui a une fiche mise à la terre à 3-broches, et une prise de courant à 3-encoches qui accepte la fiche du produit. Le cordon doit être de type d'au moins SJT, SJTW, SJ ou SJO. 18 AWG avec fiche mâle et femelle NEMA 5-15P 125V/15A.
3. S'assurer que la rallonge soit en bon état et suffisamment lourde pour transporter le courant que le produit débite. Un cordon trop petit causera une perte de tension dans la ligne ce qui causera une perte de puissance et le surchauffage.
4. Le tableau plus bas indique la bonne taille à utiliser selon la longueur du cordon. Si vous avez des doutes, utilisez le calibre plus lourd.

REMARQUE : Le plus petit le numéro du calibre, le plus lourd le cordon.

INSTRUCTIONS POUR UN SUPPORT MURAL DE MONTAGE

1. Retirer le support mural de la boîte et l'emballage.
2. Retirer 2 vis qui se trouvent dans le sac de plastique contenant le manuel et le guide de démarrage rapide.
3. Utilisez un localisateur de poteaux et trouvez un poteau dans le mur où monter le support. Si le montant est introuvable, utiliser 2 ancrés de mur creux (disponible à votre quincaillerie locale).
4. Après avoir trouvé le poteau, marquez les deux trous sur le mur avec le support mural (41,3 mm (1 5/8 po) d'axe en axe). Voir la figure 3.
5. Prépercez des trous avec un foret de perceuse de 2,4 mm (3/32 po).
6. Attachez le support mural au mur avec les vis fournies.

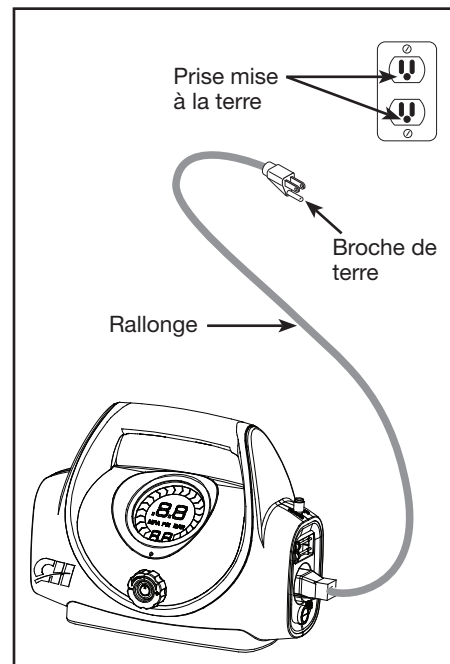


Figure 2 - Mise à la terre

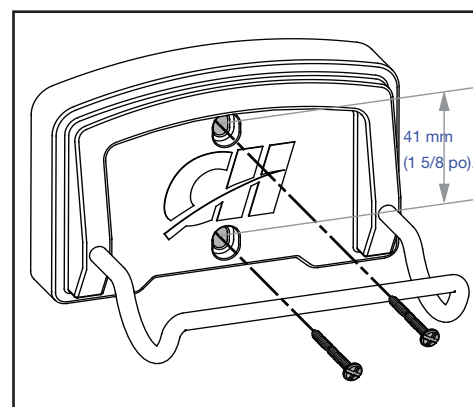


Figure 3 - Montage à parois

Rallonges Mises À La Terre Pour Modèles 120V/3 A

Longueur de cordon (m)	7,62	15,24	30,48	45,72	60,96	76,2	91,44	121,92	152,4
Calibre de cordon	18	18	16	14	12	12	10	10	8

Fonctionnement

CETTE UNITÉ DOIT AVOIR UNE RALLONGE POUR FONCTIONNER.

POUR UN GONFLEMENT À BASSE PRESSION – GONFLEMENT DES ARTICLES QUI EXIGENT MOINS DE 138 KPA (20 LB/PO²)

1. Branchez une rallonge standard dans l'entrée de rallonge du gonfleur.
- 2a. Si l'on gonfle un pneu à basse pression, installer un adaptateur universel à la tige de la soupape avec le levier de verrouillage en position ouverte/vers le haut. S'assurer de presser complètement l'adaptateur universel sur les filets de la tige de la soupape. Ceci pourrait mener à une perte de pression du pneu durant ce processus.
 - b. Si l'on gonfle une **balle de sport**, insérer une aiguille de gonflement de métal dans l'adaptateur universel. S'assurer que l'aiguille est bien installée dans l'adaptateur.
3. Lorsque l'adaptateur universel est bien fermement en place, enfoncer le levier de verrouillage (voir les figure 4).
4. Tournez le cadran de sélecteur de pression jusqu'à ce que le champ de pression désiré indique « LO » (BAS) (Le réglage LO est juste sous le réglage de 138 kPa (20 lb/po²)). Voir la figure 5.
5. Enfoncer le bouton de courant (voir la figure 6).
6. Lorsque l'article atteint la fermeté voulue, enfoncer le bouton de courant à nouveau pour arrêter le gonflement (voir la figure 6). La pression réelle apparaîtra alors sur la jauge numérique.
7. S'il faut gonfler plus, répéter les étapes 5 et 6.
8. Retirez l'aiguille de gonflement de métal et ranger, ou relevez le levier de verrouillage de l'adaptateur universel et retirez de la tige de soupape.

⚠ AVERTISSEMENT

Un surgonflage peut être dangereux. Attention en gonflant les articles à basse pression pour éviter de trop gonfler.

⚠ AVERTISSEMENT

Ne laissez pas le gonfleur fonctionner sans supervision au réglage « LO » (bas)

POUR UN GONFLEMENT DE PNEU STANDARD - GONFLEMENT DE PNEUS ENTRE 138 KPA ET 682 KPA (20 ET 99 LB/PO²)

1. Branchez une rallonge standard dans l'entrée de rallonge du gonfleur.
2. Installer un adaptateur universel à la tige de la soupape avec le levier de verrouillage en position ouverte/vers le haut. S'assurer de presser complètement l'adaptateur universel sur les filets de la tige de la soupape. Ceci pourrait mener à une perte de pression du pneu durant ce processus.
3. Lorsque l'adaptateur universel est bien fermement en place, enfoncer le levier de verrouillage (voir la figure 4).
4. Tourner le cadran du sélecteur de pression jusqu'à la pression voulue (voir la figure 5).
5. Enfoncer le bouton de courant (voir la figure 6). L'appareil s'éteindra automatiquement lorsqu'on atteint la pression réglée.
6. Relevez le levier de verrouillage de l'adaptateur universel et retirez de la tige de soupape.

Entretien

1. Ce produit n'a aucune pièce à réparer par l'utilisateur et n'exige aucune lubrification.
2. Ne pas ranger à l'extérieur. Lorsque l'appareil n'est pas utilisé, le ranger dans un endroit frais et sec.

INSTRUCTIONS POUR REMPLACER LE FUSIBLE

1. Couper le courant à l'appareil.
2. Utiliser un tournevis à tête plate pour tourner la tête de fusible dans le **sens antihoraire**.
3. Remplacer le vieux fusible par un fusible de verre de 4 A, 125 V.
4. Réinsérer la tête de fusible pour que le mot PUSH (POUSSER) soit sur le dessus et l'image (→) au bas.
5. Utiliser un tournevis à tête plate pour tourner la tête de fusible dans le **sens horaire**.

SERVICE TECHNIQUE

Pour des informations concernant le fonctionnement ou la réparation de ce produit, composer le 1-800-543-6400.

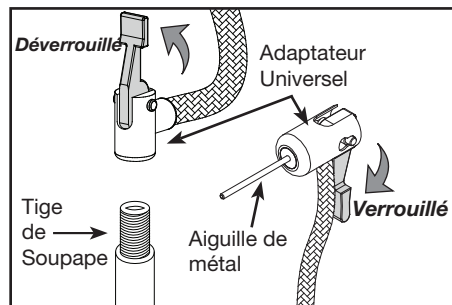


Figure 4 - Verrouiller bien l'adaptateur universel

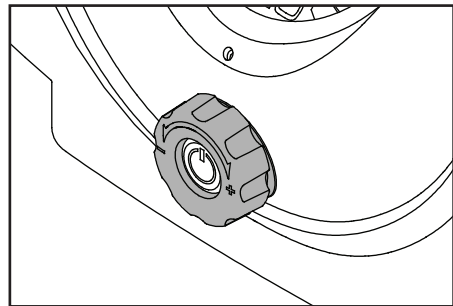


Figure 5 - Cadran de sélection de pression

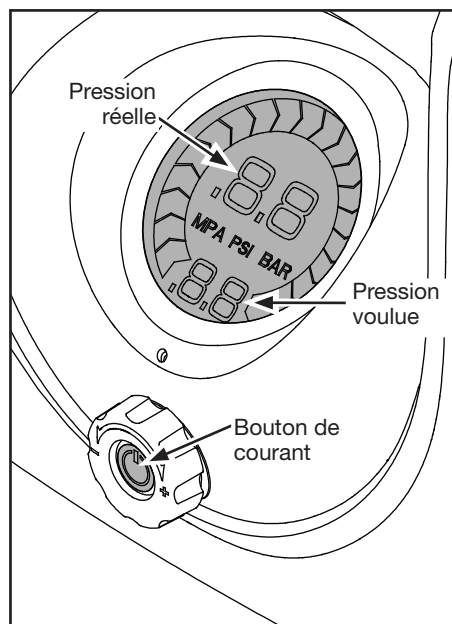


Figure 6 - Manomètre numérique et Bouton de courant

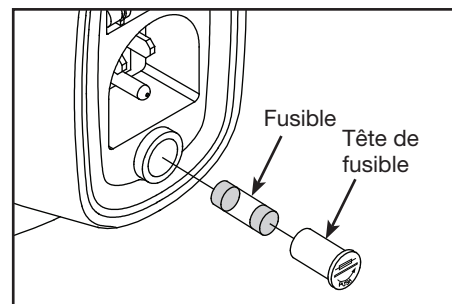


Figure 7 - Remplacer le fusible

Tableau de dépannage

Symptôme	Cause(s) possible(s)	Mesure(s) corrective(s)
La jauge n'est pas en marche	<ol style="list-style-type: none"> 1. Rallonge défectueuse ou rallonge non branchée 2. Disjoncteur résidentiel déclenché 3. Le fusible du gonfleur est grillé 	<ol style="list-style-type: none"> 1. Vérifiez la rallonge 2. Réinitialisez le disjoncteur résidentiel 3. Remplacez le fusible (voir page)
Le gonfleur ne démarre pas	<ol style="list-style-type: none"> 1. Le bouton de courant rouge non enfoncé 2. La pression du pneu peut dépasser le réglage de pression voulu 	<ol style="list-style-type: none"> 1. Enfoncez le bouton de courant rouge 2. Dégagez de la pression du pneu ou réinitialisez la pression voulue à un réglage plus élevé
L'unité de pression voulue non illustré	La pression voulue non choisie	Utilisez un objet de la taille d'une aiguille pour changer l'unité de pression voulue (lb/po ² , kPa ou bar) tandis que le gonfleur est branché à une source de courant. Voir page 3.
Le gonfleur ne s'arrête pas	<ol style="list-style-type: none"> 1. Connexion de courant défectueuse 2. L'article qu'on gonfle a un trou ou des fuites 3. Le gonfleur ne fonctionne pas correctement 	<ol style="list-style-type: none"> 1. Débranchez la rallonge. Rebranchez. 2. Réparez le trou ou la fuite 3. Appelez le Service à la clientèle au 1-800-543-6400

If problem can not be resolved, call 1-800-543-6400

Garantie Limitée

1. DURÉE: À partir de la date d'achat par l'acheteur original comme suit - Un An.
2. GARANTIE ACCORDÉE PAR (GARANT): Campbell Hausfeld/Scott Fetzer Company, 100 Production Drive, Harrison, Ohio, 45030, Téléphone: (800) 543-6400
3. BÉNÉFICIAIRE DE CETTE GARANTIE (ACHETEUR): L'acheteur original (sauf en cas de revente) du produit Campbell Hausfeld.
4. PRODUITS COUVERTS PAR CETTE GARANTIE: Tous les outils de fixation (clouuses et agrafeuses), outils pneumatiques, pistolets vapoiseurs, gonfleurs ou accessoires pneumatiques Campbell Hausfeld qui sont fournis par ou fabriqués par le Garant.
5. COUVERTURE DE LA PRÉSENTE GARANTIE: Défauts de matière et de fabrication considérables qui se révèlent pendant la période de validité de la garantie.
6. LA PRÉSENTE GARANTIE NE COUVRE PAS:
 - A. Les garanties implicites, y compris celles de commercialisabilité et D'ADAPTION À UNE FONCTION PARTICULIÈRE SONT LIMITÉES À PARTIR DE LA DATE D'ACHAT INITIALE TELLE QU'INDIQUÉE DANS LA SECTION DURÉE. Si ce produit est utilisé pour une fonction commerciale, industrielle ou pour la location, la durée de la garantie sera quatre-vingt-dix (90) jours à compter de la date d'achat. Quelques Provinces (États) n'autorisent pas de limitations de durée pour les garanties implicites. Les limitations précédentes peuvent donc ne pas s'appliquer.
 - B. TOUT DOMMAGE, PERTE OU DÉPENSE FORTUIT OU INDIRECT POUVANT RÉSULTER DE TOUT DÉFAUT, PANNE OU MAUVAIS FONCTIONNEMENT DU PRODUIT CAMPBELL HAUSFELD. Quelques Provinces (États) n'autorisent pas l'exclusion ni la limitation des dommages fortuits ou indirects. La limitation ou exclusion précédente peut donc ne pas s'appliquer.
 - C. Toute panne résultant d'un accident, d'une utilisation abusive, de la négligence ou d'une utilisation ne respectant pas les instructions données dans le(s) manuel(s) accompagnant le produit. Un accident, l'utilisation abusive par l'acheteur, la négligence ou le manque de faire fonctionner les produits selon les instructions comprend aussi l'enlèvement ou la modification de n'importe quel appareil de sûreté. Si ces appareils de sûreté sont enlevés ou modifiés, la garantie sera annulée.
 - D. Réglages normaux qui sont expliqués dans le(s) manuel(s) d'utilisation accompagnant le produit.
 - E. Articles ou services qui sont exigés pour l'entretien du produit.
7. RESPONSABILITÉS DU GARANT AUX TERMES DE CETTE GARANTIE: Réparation ou remplacement, au choix du Garant, des produits ou pièces qui se sont révélés défectueux pendant la durée de validité de la garantie.
8. RESPONSABILITÉS DE L'ACHETEUR AUX TERMES DE CETTE GARANTIE:
 - A. Fournir une preuve d'achat datée et un état d'entretien.
 - B. Appeler Campbell Hausfeld (800-543-6400) pour obtenir vos options de service sous garantie. Taux de frais, si applicables, sont la responsabilité de l'acheteur.
 - C. Utilisation et entretien du produit avec un soin raisonnable, ainsi que le décrit le(s) manuel(s) d'utilisation.
9. RÉPARATION OU REMPLACEMENT EFFECTUÉ PAR LE GARANT AUX TERMES DE LA PRÉSENTE GARANTIE: La réparation ou le remplacement sera prévu et exécuté en fonction de la charge de travail dans le centre de service et dépendra de la disponibilité des pièces de rechange.

Cette Garantie Limitée s'applique aux É.-U., au Canada et au Mexique seulement et vous donne des droits juridiques précis. L'acheteur peut également jouir d'autres droits qui varient d'une Province, d'un État ou d'un Pays à l'autre.

Índice

Descripción	S15
Para Desempacar	S15
Especificaciones	S15
Medidas de Seguridad	S16
Símbolos de Seguridad	S16
Importantes Instrucciones	
De Seguridad	S16
Instrucciones En Referencia Al	
Peligro De Incendios, Choque	
Eléctrico O Lesiones Personales ...	S16
Proposición 65 de California	S16
Seguridad General	S16
Preparación	S17
Instrucciones Para Conexión	
A Tierra	S17
Cordones De Extensión	S17
Instrucciones Para Instalar El	
Soporte De Pared	S17
Cables De Extensión Con	
Conexión A Tierra Para Las	
Unidades De 120V/3 Amp	S17
Para Inflado De Presión Baja -	
Inflado De Artículos Que Requieren	
Menos De 1,38 bar (20 psi)	S18
Para Inflado De Neumáticos	
Normales – Inflado De Neumáticos	
Entre 1,38 y 6,83 bar (20 - 99 psi) ..	S18
Mantenimiento	S18
Instrucciones Para Reemplazar	
El Fusible	S18
Servicio Técnico	S18
Guía de diagnóstico de problemas..	S19
Garantía Limitada	S19
Notas	20

Por información sobre piezas, productos y servicios

LLAME: Atención al cliente
al 1-800-543-6400

DIRIJA TODA LA CORRESPONDENCIA A: Campbell Hausfeld
Attn: Customer Service
100 Production Drive
Harrison, OH 45030 U.S.A.



Inflador de 120-Volt



Descripción

El inflador de 120 voltios viene con 2 agujas para inflar. El inflador puede usarse para inflar llantas de automóviles y bicicletas, balones de fútbol, balones para jugar en la playa y otros equipos deportivos.

Para Desempacar

Al desempacar este producto, revíselo con cuidado para cerciorarse de que esté en perfecto estado.

Especificaciones

Modelo RP4200

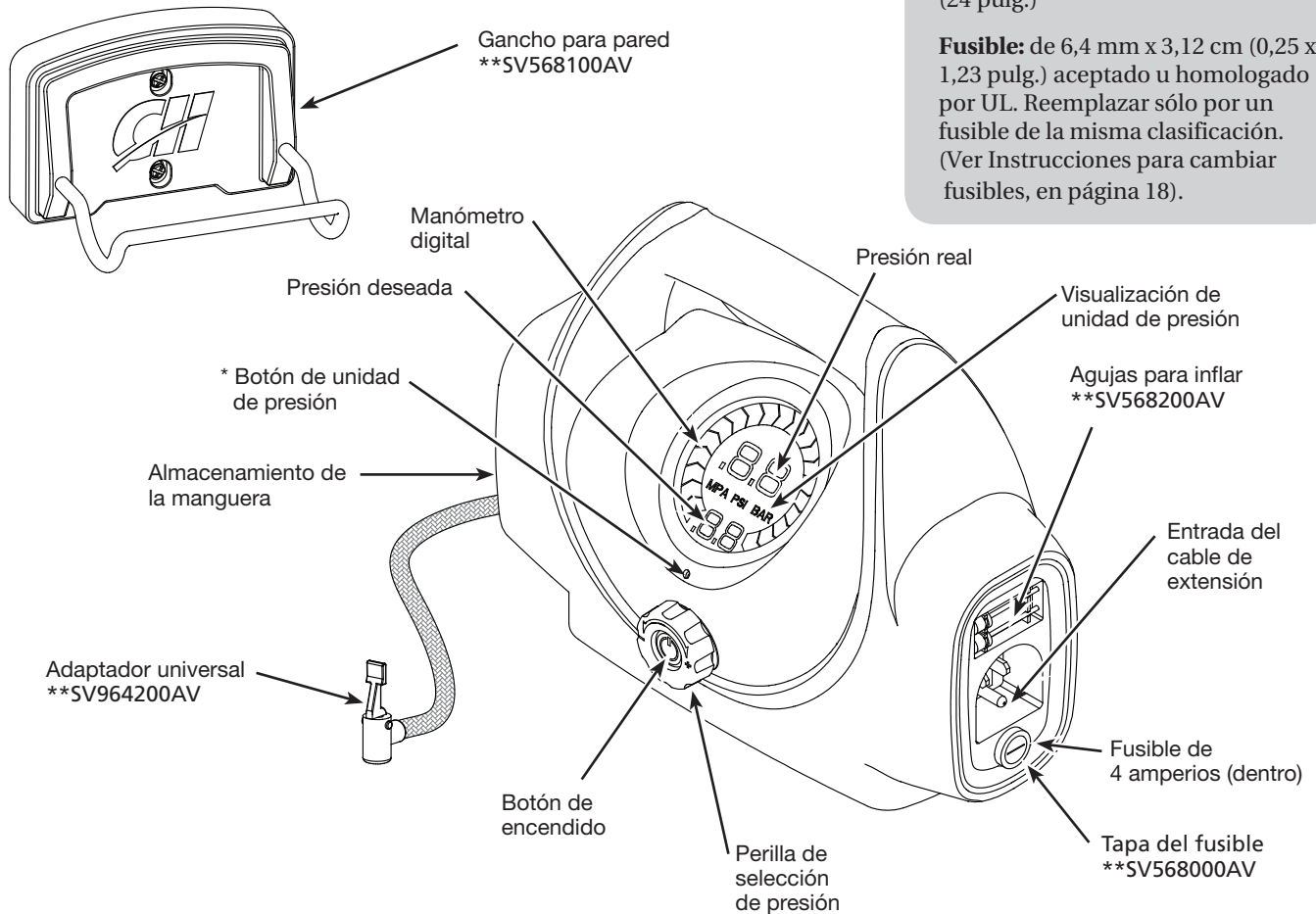
Rango de presión: 0 a 6,83 bar
(0 a 99 psi)

Peso: 2,04 kg (4,5 lb.)

Clasificación de corriente: 120 Volt~, 60 Hz, 3 A

Largo de la manguera: 60,96 cm
(24 pulg.)

Fusible: de 6,4 mm x 3,12 cm (0,25 x 1,23 pulg.) aceptado u homologado por UL. Reemplazar sólo por un fusible de la misma clasificación. (Ver Instrucciones para cambiar fusibles, en página 18).



* Use un objeto del tamaño de un alfiler para seleccionar la unidad de presión deseada (psi, kPa, o bar).

** Números de pieza de repuesto

NOTA: se necesita un cable de extensión para usar esta unidad.

Figura 1 - RP4200

Medidas de Seguridad

Este manual contiene información que es muy importante que se conozca y comprenda. Esta información se proporciona con fines de SEGURIDAD y para EVITAR PROBLEMAS CON EL EQUIPO. Para ayudar a reconocer esta información, observe los siguientes símbolos.

▲ PELIGRO Peligro indica una situación inminentemente peligrosa, que si no se evita, dará como resultado la muerte o lesiones graves.

▲ ADVERTENCIA Advertencia indica una situación potencialmente peligrosa, que si no se evita, PODRÍA ocasionar la muerte o lesiones graves.

▲ PRECAUCION Precaución indica una situación potencialmente peligrosa, que si no se evita, PUEDE dar como resultado lesiones leves o moderadas.

AVISO Aviso indica una información importante, que de no seguirla, le podría ocasionar daños al equipo.

IMPORTANTE: información que requiere atención especial.

Símbolos de Seguridad

Los siguientes símbolos de seguridad aparecen a lo largo de este manual para advertirle de importantes peligros y precauciones de seguridad.



Lea primero el manual



Riesgo de inflado excesivo



Riesgo de choque eléctrico

Importantes Instrucciones De Seguridad

INSTRUCCIONES EN REFERENCIA AL PELIGRO DE INCENDIOS, CHOQUE ELÉCTRICO O LESIONES PERSONALES

Este manual contiene información sobre seguridad, funcionamiento y mantenimiento. Si tiene preguntas, llame al 1-800-543-6400 para obtener asistencia al cliente.

▲ ADVERTENCIA Cuando se usen herramientas, siempre se deberán seguir precauciones básicas, incluyendo las siguientes:

PROPOSICIÓN 65 DE CALIFORNIA

▲ ADVERTENCIA Este producto o su cable de corriente pueden contener químicos, incluido plomo, que es conocido por el Estado de California como causante de cáncer y defectos de nacimiento u otros daños reproductivos. Lávese las manos después de manipularlo.

SEGURIDAD GENERAL

Lea completamente el manual incluido con este producto. Familiarícese con el uso apropiado de la unidad.



Cualquier uso incorrecto de la unidad puede causar daños materiales o daños al equipo y/o lesiones personales.

▲ ADVERTENCIA No deje el inflador sin vigilar mientras la unidad esté funcionando.

▲ ADVERTENCIA Cerciórese de que la a unidad esté conectada a tierra adecuadamente. Vea las instrucciones sobre conexión a tierra y cordones de extensión en este manual.

▲ ADVERTENCIA Nunca exceda la presión recomendada para cualquier objeto inflable. No infle demasiado los objetos. El inflar con exceso podría causar daños a la propiedad y/o heridas personales.



▲ AVERTISSEMENT Riesgo de explosión. No ajuste el regulador (dial de selección de presión) de forma que la presión de salida sea mayor que la presión marcada como máxima en el accesorio.

No deje el inflador funcionando sin supervisión mientras se encuentra en la configuración "LO" (bajo).

▲ AVERTISSEMENT El adaptador universal debe estar cerrado para asegurar los accesorios del inflador. Tenga extrema precaución cuando use accesorios de inflar.

▲ PRECAUCION Siempre use un manómetro aparte para revisar la presión de las llantas y objetos inflamables a baja presión.

AVISO No use el inflador para neumáticos de alta presión usados en camiones grandes como remolques. El inflador no está diseñado para funcionar por el tiempo necesario para inflar estas llantas.

AVISO Asegúrese de que el adaptador universal toque el núcleo del vástago de la válvula de la llanta.

AVISO Este inflador es sólo para uso doméstico.

GUARDE ESTAS INSTRUCCIONES – NO LAS DESECHE

Preparación

INSTRUCCIONES PARA CONEXION A TIERRA

1. **ESTA UNIDAD REQUIERE EL USO DE UN CABLE DE EXTENSION PARA SU FUNCIONAMIENTO.**
2. Este producto se debe conectar a tierra. En caso de que ocurra un cortocircuito, ésto evitaría el riesgo de choque eléctrico al ofrecerle un cable de desvío a la corriente eléctrica. Este producto está diseñado para uso con un cable de extensión con descarga a tierra con un enchufe de conexión a tierra apropiado. Debe conectarlo a un tomacorrientes que esté instalado adecuadamente según los códigos y ordenanzas locales.

⚠ PELIGRO *El uso inadecuado del enchufe con conexión a tierra podría ocasionarle choques eléctricos.*



NOTA: No use un adaptador para conexión a tierra con este producto.

3. Consúltele a un electricista calificado o a un técnico de reparación, en caso de que no comprenda bien las instrucciones o si tiene dudas de que esté conectado a tierra adecuadamente. No modifique el enchufe, si éste no entra en el tomacorrientes, mande a instalar un tomacorrientes adecuado con un electricista calificado.

⚠ ADVERTENCIA *Nunca conecte los cables verdes o verde con rayas amarillas, a un terminal con tensión.*

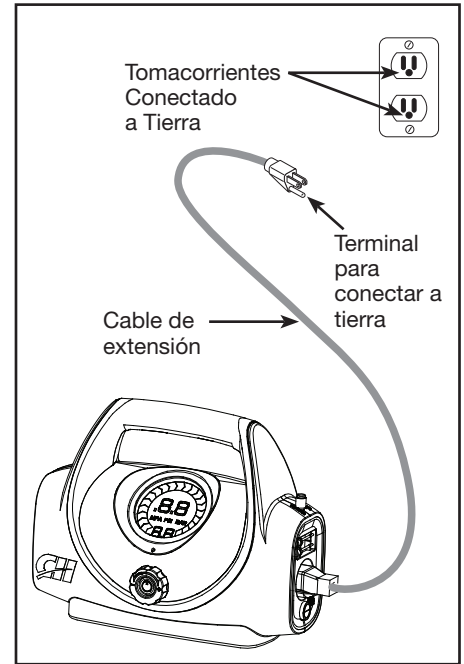


Figura 2 - Conexión a tierra

CORDONES DE EXTENSION

1. Se necesita un cable de extensión para suministrar energía al inflador.
2. Use sólo cordones de extensión con 3-cables que tengan 3 terminales para conexión a tierra y tomacorrientes con 3 orificios adecuados para conectar este producto. El cable debe ser al menos del tipo SJT, SJTW, SJ o SJO, 18 AWG con enchufe macho y hembra NEMA de 125V/15A 5-15P.
3. Asegúrese de que el cable de extensión esté en buenas condiciones, y de que sea lo suficientemente pesado como para transportar la corriente que el producto va a exigir. De lo contrario, habría una baja de voltaje, pérdida de potencia y el compresor se sobrecalentaría.
4. La tabla a continuación muestra el tamaño correcto a usar según el largo del cable. Si tiene dudas, use un cordón más resistente.

NOTA: Los cordones de calibre más bajo son más resistentes.

INSTRUCCIONES PARA INSTALAR EL SOPORTE DE PARED

1. Retire el soporte de pared de la caja y embalaje.
2. Retire los 2 tornillos ubicados en la bolsa de plástico que contiene el manual y la guía de inicio rápido.
3. Usando un detector de montantes, ubique un montante en una pared para montar el gancho en el mismo. Si no puede ubicar un montante, use 2 anclajes de pared huecos (se encuentran en su ferretería local).
4. Una vez ubicado el montante, marque ambos orificios en la pared, usando el gancho para pared (4,1 cm [1-5/8 pulg.] centro sobre centro). Vea la figura 3.
5. Taladre los orificios previamente con una broca de taladro de 2,4 mm (3/32 pulg.).
6. Ajuste el gancho de pared a la pared usando los tornillos que se proporcionan.

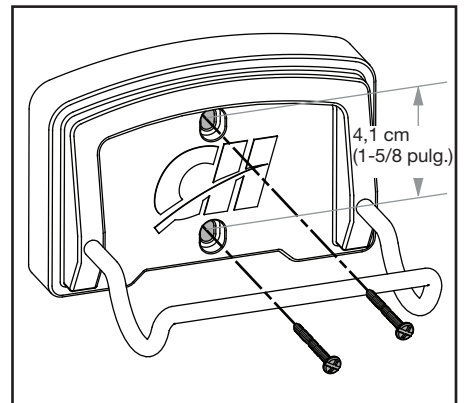


Figura 3 - Montaje de pared

Cables De Extensión Con Conexión A Tierra Para Las Unidades De 120V/3 Amp

Longitud del Cordón (m)	25	50	100	150	200	250	300	400	500
Calibre del Cordón	18	18	16	14	12	12	10	10	8

Funcionamiento

ESTA UNIDAD REQUIERE EL USO DE UN CABLE DE EXTENSIÓN PARA SU FUNCIONAMIENTO.

PARA INFLADO DE PRESIÓN BAJA - INFLADO DE ARTÍCULOS QUE REQUIEREN MENOS DE 1,38 BAR (20 PSI)

1. Enchufe un cable de extensión estándar en la entrada para el cable de extensión del inflador.
- 2a. Para inflar un **neumático** de presión baja, conecte el adaptador universal al vástago de la válvula con la palanca de cierre en la posición abierta/arriba. Asegúrese de presionar completamente el adaptador universal sobre la rosca del vástago de la válvula. El no hacerlo podría causar pérdida de presión del neumático durante este proceso.
- b. Para inflar una **pelota de deporte**, inserte una aguja para inflar metálica en el adaptador universal. Asegúrese de que la aguja esté firme en el adaptador.
3. Cuando el adaptador universal esté firme en su lugar, presione la palanca de cierre hacia abajo (vea la Figura 4).
4. Gire el dial de selección de presión hasta que el campo de la presión marque "LO" (bajo; esta configuración está justo por debajo del valor de 1,39 bar [20 psi]). Vea la Figura 5.
5. Presione el botón de encendido (vea la Figura 6).
6. Cuando el artículo alcanza la firmeza deseada, presione el botón de encendido otra vez para parar el inflado (vea la Figura 6). Se puede leer entonces la presión actual en el manómetro digital.
7. Si es necesario inflar más, repita los pasos 5 y 6.
8. Retire el pincho de inflado de metal y guárdelo o levante la palanca de bloqueo del adaptador universal y retírelo del vástago de la válvula.

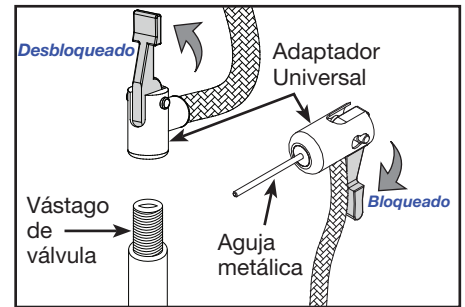


Figura 4 - Cierre firmemente el adaptador universal

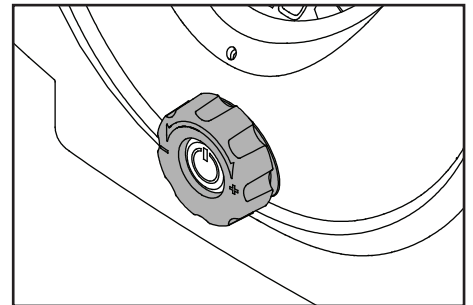


Figura 5 - Perilla de selección de presión

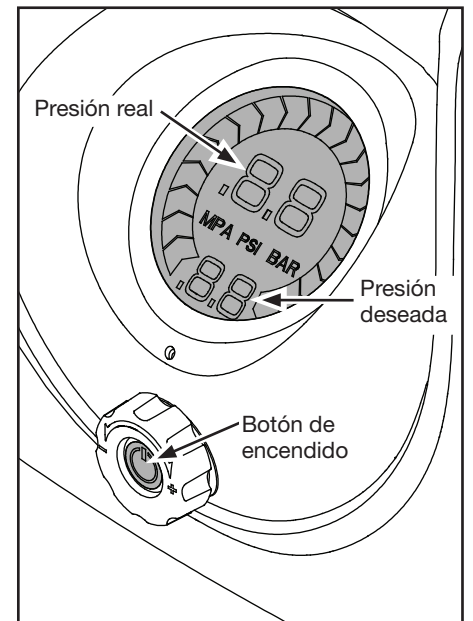


Figura 6 - Manómetro digital y Botón de encendido

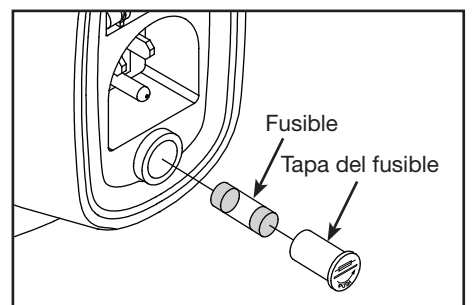


Figura 7 - Cambie el fusible

ADVERTENCIA *Inflar en exceso puede ser peligroso. Preste atención mientras infla artículos de baja presión para evitar inflar en exceso.*

ADVERTENCIA *No deje el inflador funcionando sin supervisión mientras se encuentra en la configuración "LO" (bajo).*

PARA INFLADO DE NEUMÁTICOS NORMALES - INFLADO DE NEUMÁTICOS ENTRE 1,38 Y 6,83 BAR (20 - 99 PSI)

1. Enchufe un cable de extensión estándar en la entrada para el cable de extensión del inflador.
2. Conecte el adaptador universal al vástago de la válvula con la palanca de cierre en la posición abierta/arriba. Asegúrese de presionar completamente el adaptador universal sobre la rosca del vástago de la válvula. El no hacerlo podría causar pérdida de presión del neumático durante este proceso.
3. Cuando el adaptador universal esté firme en su lugar, presione la palanca de cierre hacia abajo (vea la Figura 4).
4. Gire la perilla reguladora hasta alcanzar la presión deseada (vea la Figura 5).
5. Presione el botón de encendido (vea la Figura 6). La unidad se apaga automáticamente cuando se alcance la presión deseada.
6. Levante la palanca de bloqueo del adaptador universal y retire del vástago de la válvula.

Mantenimiento

1. Este producto no tiene piezas que necesiten servicio por parte del usuario y no necesita lubricación.
2. No guarde a la intemperie. Cuando no esté en uso, guárdelo en un lugar fresco y seco.

INSTRUCCIONES PARA REEMPLAZAR EL FUSIBLE

1. Corte el suministro de energía a la unidad.
2. Use un destornillador plano para girar la tapa del fusible en sentido **antihorario**.
3. Sustituya el fusible viejo por un fusible de vidrio de 4A, 125V.
4. Vuelva a colocar la tapa del fusible de modo que la palabra PUSH quede hacia arriba y la imagen (→) quede hacia abajo.
5. Use un destornillador plano para girar la tapa del fusible en sentido **horario**.

SERVICIO TÉCNICO

Para mayor información en relación al funcionamiento o reparación de este producto, comuníquese con el concesionario de Campbell Hausfeld más cercano a su domicilio.

Guía de diagnóstico de problemas

Síntoma	Causa(s) posible(s)	Acciones a tomar
El manómetro no está encendido	<ol style="list-style-type: none"> 1. El cable de extensión está defectuoso o no se encuentra enchufado 2. El disyuntor doméstico está disparado 3. El fusible del inflador está quemado 	<ol style="list-style-type: none"> 1. Verifique el cable de extensión 2. Reponga el disyuntor doméstico 3. Cambie el fusible (ver página 6)
El inflador no enciende	<ol style="list-style-type: none"> 1. El botón de corriente roja no está presionado 2. La presión en el neumático puede ser mayor que configuración de presión deseada 	<ol style="list-style-type: none"> 1. Presione el botón de corriente roja 2. Libere algo de presión del neumático o vuelva a colocar la presión deseada en una configuración más alta
No se muestra la unidad de presión deseada	No se seleccionó la unidad de presión deseada	Use un objeto con el tamaño de un alfiler para cambiar la unidad de presión deseada (psi, kPa o bar) mientras el inflador está conectado a una fuente de energía. Vea la página 3.
El inflador no se apaga	<ol style="list-style-type: none"> 1. Conexión de energía dañada 2. El artículo que está inflando tiene un orificio o pérdidas 3. El inflador no está funcionando correctamente 	<ol style="list-style-type: none"> 1. Desconecte el cable de extensión. Vuelva a conectar. 2. Coloque un parche en el orificio o pérdida 3. Llame a nuestro servicio de atención al cliente al 1-800-543-6400

Si no puede resolver el problema, llame al 1-800-543-6400

Garantía Limitada

1. DURACION: A partir de la fecha de compra por el comprador original tal como se especifica a continuación: Un año.
2. QUIEN OTORGA ESTA GARANTIA (EL GARANTE: Campbell Hausfeld / The Scott Fetzer Company 100 Production Drive, Harrison, Ohio 45030 Teléfono: (800) 543-6400
3. QUIEN RECIBE ESTA GARANTIA (EL COMPRADOR): El comprador original (que no sea un revendedor) del producto Campbell Hausfeld.
4. PRODUCTOS CUBIERTOS POR ESTA GARANTIA: Cualquier clavadora, grapadora, herramienta neumática, pistola pulverizadora, inflador o accesorio neumático suministrado o fabricado por el Garante.
5. COBERTURA DE LA GARANTIA: Los defectos substanciales de material y fabricación que ocurran dentro del período de validez de la garantía.
6. LO QUE NO ESTA CUBIERTO POR ESTA GARANTIA:
 - A. Las garantías implícitas, incluyendo aquellas de comercialidad E IDONEIDAD PARA FINES PARTICULARES, ESTAN LIMITADOS A LO ESPECIFICADO EN EL PARRAFO DE DURACION. Si este producto es empleado para uso comercial, industrial o para renta, la garantía será aplicable por noventa (90) días a partir de la fecha de compra. En algunos estados no se permiten limitaciones a la duración de las garantías implícitas, por lo tanto, en tales casos esta limitación no es aplicable.
 - B. CUALQUIER PERDIDA DAÑO INCIDENTAL, INDIRECTO O CONSECUENTE QUE PUEDA RESULTAR DE UN DEFECTO, FALLA O MALFUNCIONAMIENTO DEL PRODUCTO CAMPBELL HAUSFELD. En algunos estados no se permite la exclusión o limitación de daños incidentales o consecuentes, por lo tanto, en tales casos esta limitación o exclusión no es aplicable
 - C. Cualquier falla que resulte de un accidente, abuso, negligencia o incumplimiento de las instrucciones de funcionamiento y uso indicadas en el (los) manual(es) que se adjunta(n) al producto. Dichos accidentes, abusos por parte del comprador, o falta de operar el producto siguiendo las instrucciones del manual de instrucciones suministrado también debe incluir la desconexión o modificación de los instrumentos de seguridad. Si dichos instrumentos de seguridad son desconectados, la garantía quedaría cancelada.
 - D. Los ajustes normales explicados en el(los) manual(es) suministrado(s) con el producto.
 - E. Artículos o servicios normalmente requeridos para el mantenimiento del producto, tales como.
7. RESPONSABILIDADES DEL GARANTE BAJO ESTA GARANTIA: Reparar o reemplazar, como lo decida el Garante, los productos o componentes que estén defectuosos, se hayan dañado o hayan dejado de funcionar adecuadamente, durante el período de validez de la garantía
8. RESPONSABILIDADES DEL COMPRADOR BAJO ESTA GARANTIA:
 - A. Suministrar prueba fechada de compra y la historia de mantenimiento del producto.
 - B. Llame a Campbell Hausfeld (800-543-6400) por sus opciones de servicio incluidas en la garantía. Los gastos de flete, de haberlos, deben ser pagados por el comprador.
 - C. Seguir las instrucciones sobre operación y mantenimiento del producto, tal como se indica(n) en el (los) manual(es) del propietario
9. CUANDO EFECTUARA EL GARANTE LA REPARACION O REEMPLAZO CUBIERTO BAJO ESTA GARANTIA: La reparación o reemplazo dependerá del flujo normal de trabajo del centro de servicio y de la disponibilidad de repuestos.

Esta garantía limitada es válida sólo en los EE.UU., Canadá y México y otorga derechos legales específicos. Usted también puede tener otros derechos que varían de un Estado a otro. o de un país a otro.

