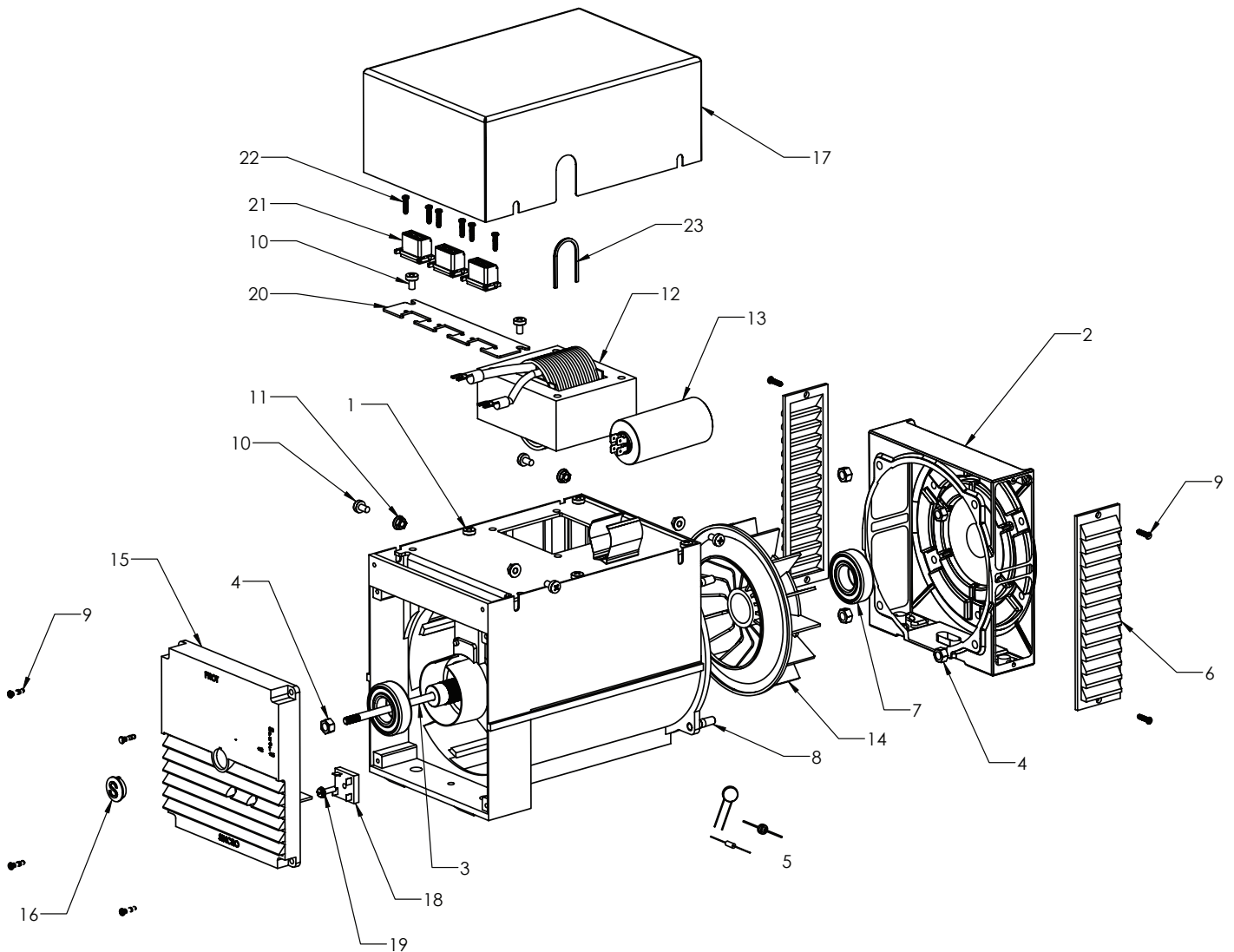


# Power Pack Alternator



## Alternator Replacement Parts List for Model GR3000



**REGISTER YOUR PRODUCT ONLINE NOW!**  
<http://www.campbellhausfeld.com>

---

**For Replacement Parts or Technical Assistance, Call 1-800-746-5641**

Please provide following information:

- Model number
- Serial number
- Part description and number as shown in parts list

Address any correspondence to:

Campbell Hausfeld  
 Attn: Customer Service  
 100 Mundy Memorial Drive  
 Mt. Juliet, TN 37122 U.S.A.

**Replacement Parts List**

Ref. No.	Description	Part Number	Qty
1	Alternator - 4kW, 140A AC (includes items 2 thru 23)	GW004990SJ	1
2	Front guard	GW004993SV	1
3	Rotor tie rod	GN002304SV	1
4	Nyloc nut, M8 - 1.25	--	5
5	Diode, suppressor, capacitor kit (2 each)	GN002337SJ	1
6	Air outlet guard	GW004992SV	2
7	Bearing	GN002312SV	2
8	Stud - M8 - 1.25 x 30 mm	--	4
9	Phillips head screw - M5 - 0.8 x 10 mm	--	8
10	Phillips head screw - M6 - 1.0 x 10 mm	--	10
11	Serrated flange nut - M6 - 1.0	--	4
12	Inductor	GW001050SV	1
13	Capacitor - 40 $\mu$ F, 450V	GW004991SV	1
14	Fan	GW001020SV	1
15	Air inlet guard	GN002303SV	1
16	Nut cover	GN002329SV	1
17	Top cover	GW004200KK	1
18	Bridge Rectifier	GN006650AV	1
19	Bolt - #10-32 x 5/8 inch	--	1
20	Alternator connector plate	GW004205AD	1
21	Connector housing	GN003745AV	3
22	Pan head sheet metal screw - #8 x 1/2 inch	--	6
23	Sheet metal edge guard 4 inch long	MJ110203SV	1
--	Standard hardware item		