



Gasoline Powered Pressure Washers

Product Manual

PW2770, PW3270 and PW4070

Please record Model No. and Serial No. for use when contacting the manufacturer:

Model No. _____ Purchase date _____

Serial No. _____ Purchase place _____

For Information About This Product, call 1-800-330-0712



Model PW2770



Model PW3270



Model PW4070

Contents	Page
Frequently Asked Questions	2
Getting to Know Your Pressure Washer	3
Safety and Warning Information	4
Assembly and Pre-Operation	5 - 6
Startup, Operation, Shutdown, and Storage	6 - 9
Maintenance and Technical Information	9 - 10
Service Record	10
Replacement Parts Lists	11
Troubleshooting Chart	12 - 13
Warranty	14

Carefully read and understand these instructions before operating your pressure washer.

REMINDER: Keep your dated proof of purchase for warranty purposes! Attach it to this manual or file it for safekeeping.

Frequently Asked Questions

How do I start my pressure washer?

1. Make sure you have gas and oil in the engine. The engine does not come with oil.
2. Turn the water on, then squeeze the trigger on the gun to make sure the water will flow smoothly out of the tip.
3. Put the engine throttle control fully to the left, in the "Fast/Start" position. Set the shut off switch to "ON."
4. Set the choke fully to the left. Set the fuel valve lever fully to the right in the "ON" position.
5. Pull the trigger (to relieve any back pressure in the pump) while pulling the starter cord.

What type of oil do I use?

Engine: The engine DOES NOT COME FILLED WITH OIL. See Page 10 for engine oil types and quantities.

Pump: The pump comes filled with the correct amount of oil and should not need changing or filling. Refer to Pages 9 and 10 of this manual for oil changing instructions, oil types and quantities.

Why don't I have any water pressure?

- Is the water hose attached to the pressure washer?
- Is the water turned on?
- Check for any kinks, leaks, or blockage in the hoses, fittings, or the nozzle.
- Is the quick connect tip in place? (See Page 5 and 6).
- Is the inlet filter screen free of debris? Check and remove debris if needed.

How do I get high pressure?

- Use any color tip except black. The black tip is only used for low pressure detergent application.

How do I get the soap suction to work?

1. Connect the clear plastic chemical suction tube to the plastic hose barb on pump, insert the other end into your detergent.
2. Install the black spray tip to apply low pressure detergent.

Why doesn't the pressure washer apply detergents with high pressure?

Detergents "bounce" off cleaning surfaces as fast as they are applied. The pressure washer's features allow for a detergent to be drawn while in low pressure mode only. By applying detergent at low pressure, the effect of "bouncing" is reduced. Also, detergents are only effective when time is allowed for them to work on the surface of whatever is being cleaned. After applying the detergent, wait 1-3 minutes while it works, and then proceed to rinse the surface with high pressure.

What maintenance do I need to perform on my pressure washer?

1. After turning off the pressure washer and the water, depressurize the hose by triggering the gun.
2. Remove the garden hose and high pressure hose from the pump.
3. Pull the start rope slowly five times to purge water from the pump. This will help protect the pump from damage.
4. Do not store your pressure washer in an area where the temperature will drop below 32° F.
5. Follow proper storage and winterizing instructions found on pages 8 and 9.

What do I do if I'm missing a part?

Call Campbell Hausfeld at 1-800-330-0712 and we will promptly replace your missing parts. **DO NOT RETURN THE PRESSURE WASHER TO THE RETAILER!**

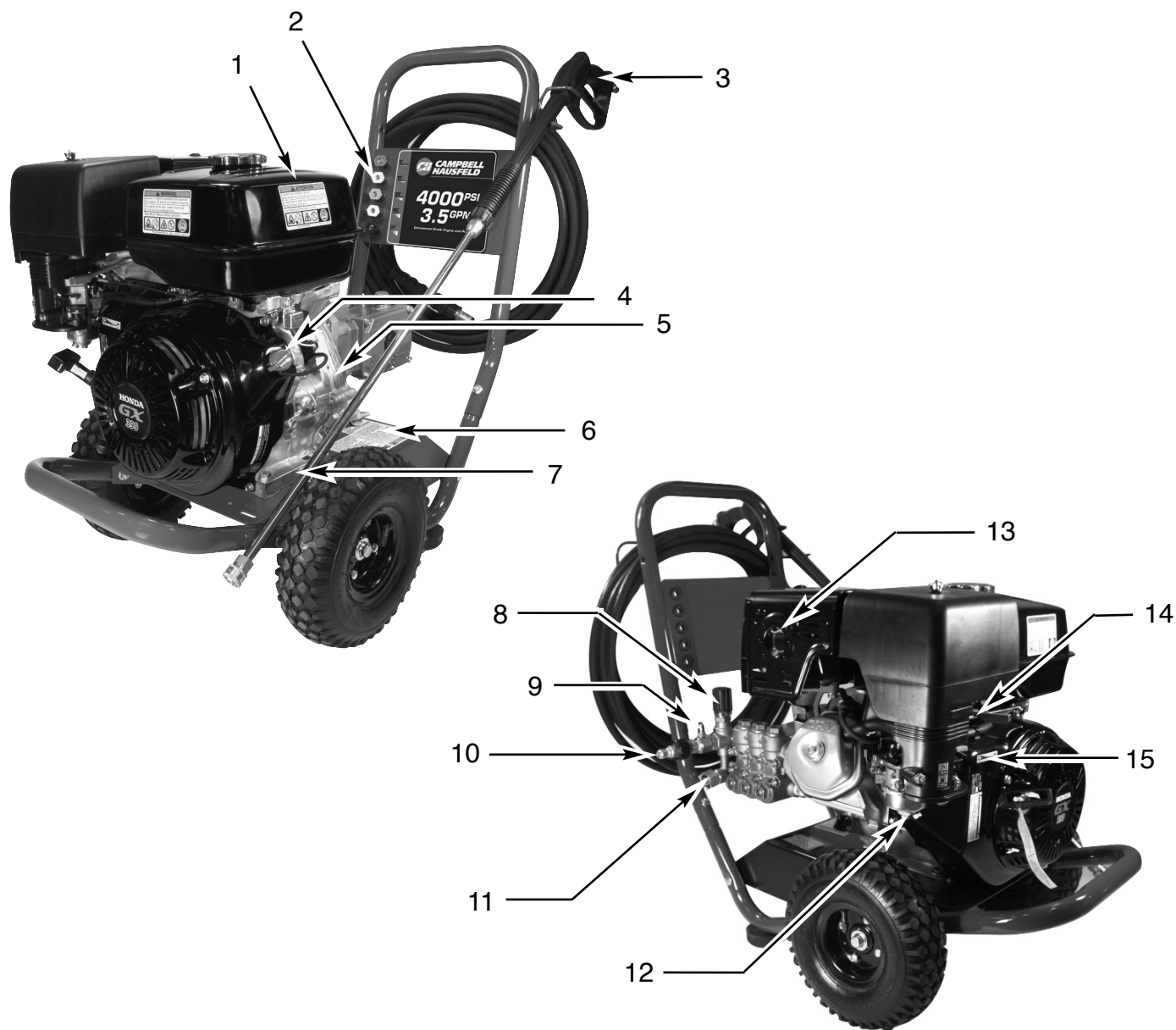
Where can I buy accessories for my pressure washer?

- If you can't find accessories at the store where you purchased your pressure washer, call Campbell Hausfeld 1-800-330-0712 or visit our website at www.chpower.com.

Who do I call if I have questions or problems?

Call Campbell Hausfeld 1-800-330-0712 (U.S.A.)

Getting to Know Your Pressure Washer



- | | |
|-------------------------------|--------------------------------------|
| 1 Fuel Tank | 9 Injection Tube |
| 2 Tip Holder with Spray Tips | 10 Connection for High Pressure Hose |
| 3 Gun with Trigger | 11 Inlet Connection for Garden Hose |
| 4 Engine switch - On/Off | 12 Fuel Valve - On/Off |
| 5 Engine Oil Fill | 13 Muffler |
| 6 Serial Number/Product Decal | 14 Throttle Control |
| 7 Lance | 15 Choke |
| 8 Pressure Adjusting Knob | |

Safety and Warning Information

Safety Guidelines

This manual contains information that is very important to know and understand. This information is provided for SAFETY and to PREVENT EQUIPMENT PROBLEMS. To help recognize this information, observe the following symbols.

⚠ DANGER *Danger indicates an imminent hazardous situation which, if not avoided, WILL result in death or serious injury.*

⚠ WARNING *Warning indicates a potentially hazardous situation which, if not avoided, COULD result in death or serious injury.*

⚠ CAUTION *Caution indicates a potentially hazardous situation which, if not avoided, MAY result in minor or moderate injury.*

NOTICE *Notice indicates important information, that if not followed, may cause damage to equipment.*

NOTE: Information that requires special attention.

Important Safety Instructions

SAVE THESE INSTRUCTIONS

CALIFORNIA PROPOSITION 65

⚠ WARNING *This product or its power cord may contain chemicals known to the State of California to cause cancer and birth defects or other reproductive harm. Wash hands after handling.*

⚠ WARNING

When using this product, basic precautions should always be followed, including the following:

1. Read all instructions before using the product.
2. To reduce the risk of injury, close supervision is necessary when the product is used near children.
3. Follow all safety codes as well as the Occupational Safety and Health Act (OSHA).
4. Ensure safety devices are operating properly before each use. DO NOT remove or modify any part of the gun or unit.

5. Know how to stop this product and bleed pressure quickly. Be thoroughly familiar with the controls.
6. Stay alert – watch what you are doing.
7. Do not operate the product when fatigued or under the influence of alcohol or drugs.
8. Keep operation area clear of all persons.
9. Do not overreach or stand on unstable support. Keep good footing and balance at all times.
10. Follow the maintenance instructions specified in the manual.

⚠ WARNING *Risk of injection or severe injury. Keep clear of nozzle. Do not discharge streams at persons. This product is to be used only by trained operators. Always remove lance from gun before cleaning debris from tip.*

- Keep clear of nozzle. NEVER direct high pressure spray at a person, animal, or yourself.
- Always wear safety glasses or goggles and protective equipment (hearing protection, gloves, rubber boots, protective clothing) when operating or performing maintenance.
- Never put hand or fingers over the spray tip while operating the unit.
- Never try to stop or deflect leaks with any body part.
- Always engage the trigger safety latch in the safe position when spraying is stopped even if only for a few moments.
- Always follow detergent manufacturer's label recommendations for proper use of detergents. Always protect eyes, skin, and respiratory system from detergent use.

⚠ WARNING *Do not use pressure that exceeds the operating pressure of any of the parts (hoses, fittings, etc.) in the pressurized system. Ensure all equipment and accessories are rated to withstand the maximum working pressure of the unit.*

⚠ WARNING *Explosion hazard.*

- NEVER spray flammable liquids or use pressure washer in areas containing combustible dust, liquids, or vapors.

- Never operate this machine in a closed building or in or near an explosive environment.
- Do not remove fuel tank cap or fill fuel tank while engine is hot or running (allow engine to cool two minutes before refueling). Always fill the tank slowly.
- Never disconnect the high pressure discharge hose from the machine while the system is pressurized. To depressurize machine, turn power and water supply off, then press the gun trigger 2-3 times.
- Never permanently engage the trigger mechanism on the gun.
- Never operate the machine without all components properly connected to the machine (handle, gun/wand assembly, nozzle, etc.).

NOTICE *Equipment damage.*

- ALWAYS turn water supply "ON" before turning pressure washer "ON." Running pump dry causes serious damage.
- Do not operate the pressure washer with the inlet water screen removed. Keep screen clear of debris and sediment.
- NEVER operate pressure washer with broken or missing parts. Check equipment regularly and repair or replace worn or damaged parts immediately.
- Use only the nozzle supplied with this machine.
- Never leave the wand unattended while the machine is running.
- Never tamper with the engine governor or attempt to alter factory settings. Altering factory settings could damage the unit and will void the warranty.
- Always hold gun and wand firmly when starting and operating the machine.
- NEVER allow the unit to run with the trigger released (off) for more than one minute. Resulting heat buildup will damage the pump.
- NEVER store the pressure washer outdoors or where it could freeze. Freezing temperatures can seriously damage the pump.
- Release the trigger when changing from high to low pressure modes. Failure to do so could result in damage to the nozzle.

Pre-Operation

CAUTION *Keep hose away from sharp objects. Bursting hoses may cause injury. Examine hoses regularly and replace if damaged. Do not attempt to mend a damaged hose.*

UNPACKING

Remove the equipment and all parts from the carton. The carton should contain the following.

- One pressure washer (pump, engine, cart base)
- One cart handle assembly
- One spray gun and quick connect lance
- Five spray tips
- One high pressure hose
- One pack of nuts, bolts, and manuals

If any parts are missing, **DO NOT RETURN THE UNIT TO THE RETAILER.** Know the unit's model number (located on the serial number tag on the pressure washer frame) and call 1-800-330-0712 for replacement parts.

After unpacking the product, inspect it carefully for any damage that may have occurred during transit. Make sure to tighten fittings and bolts before using the pressure washer.

WARNING *Do not operate the unit if it's damaged during shipping, handling, or use. Damage could result in bursting and cause injury or property damage.*

ASSEMBLY

Use 1/2 in. wrench to assemble the pressure washer.

1. Slide the handle assembly over the lower legs of the cart base. Use the (supplied) standard nuts and bolts to secure the handle to the legs (See Figure 1).



Figure 1 - Assemble Handle

2. Slide clear plastic detergent hose onto brass hose barb (See Figure 2).

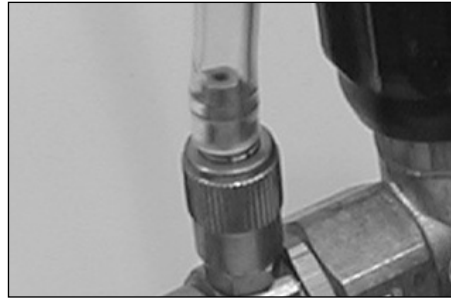


Figure 2 - Attach suction tube to barb fitting

3. Insert quick connect spray tips into rubber holders on front of the placard. (See Figure 3).



Figure 3 - Insert spray tips into the holder

4. Secure garden hose (not included) to the inlet connection on pump (See Figure 4).

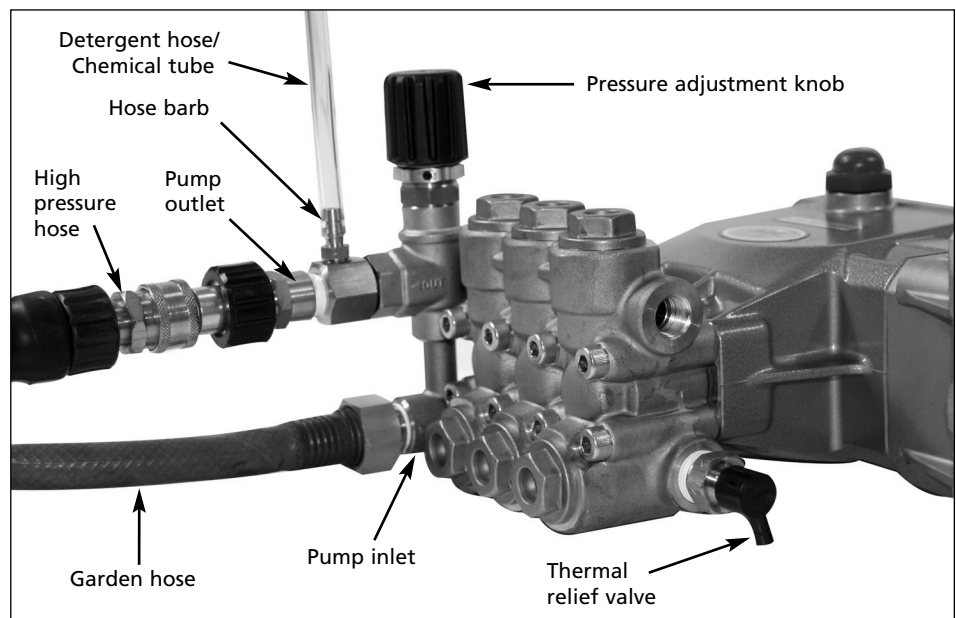


Figure 4 - Pump hook up

5. Connect the high pressure hose to the pump outlet (See Figures 4 and 5).

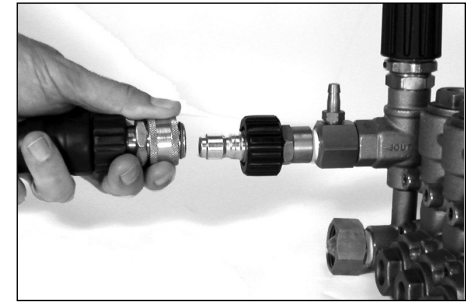


Figure 5 - Connect High pressure hose to pump

6. Attach the lance to the gun (See Figure 6).



Figure 6 - Attach lance to gun

Pre-Operation (Continued)

7. Install quick connect tip (See Figure 7).

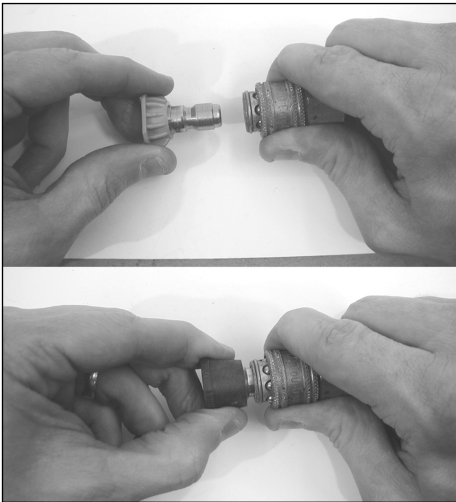


Figure 7 - Quick Connect Tip

TRIGGER SAFETY LATCH

In the engaged position, the trigger safety latch prevents the gun from being triggered accidentally. Push the latch fully

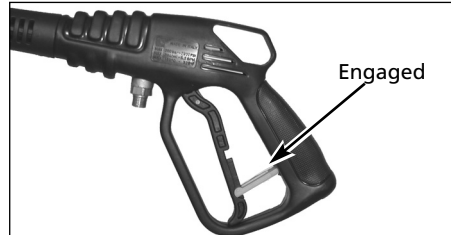


Figure 8 - Trigger locked

up to engage it (See Figure 8 and 9). Always engage the trigger safety latch when the unit is not in use.

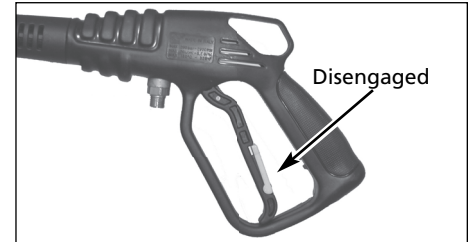


Figure 9 - Trigger unlocked

Operation

1. Surface Preparation

The following cleaning procedure will help you organize your cleaning task and ensures that you will achieve the best results in the shortest amount of time. Remember to use the spraying / cleaning techniques mentioned in the following section.

Before starting a pressure washer cleaning job, prepare the surface you intend to clean. Clear furniture from the area and make sure that all windows and doors are closed tightly. Also, protect all plants and trees near the cleaning area with a drop cloth. A covering ensures that your plants won't be sprayed by the detergents.

2. Start Up

ALWAYS use this start up procedure to ensure that the unit is started safely and properly.

NOTICE *If water has frozen in the pressure washer, thaw the pressure washer in a warm room before starting. DO NOT pour hot water on or into the pump; internal parts will be damaged.*

1. Check engine oil levels. Add oil as necessary.
2. Check fuel level. Add unleaded gasoline (rated 86 octane or higher) as required.

WARNING *DO NOT refuel a hot engine. Refueling a hot engine could cause a fire. Use only fresh, clean regular or unleaded gasoline. Close the fuel shutoff valve during refueling.*

3. Attach a garden hose to the inlet side of the pump and connect it to the water supply. Use a hose with an internal diameter (I.D.) of 5/8 in. (1.58 cm) and a length of 50 ft. (15 m) or less.

NOTICE *Some local plumbing codes require backflow prevention when connecting to a fresh water supply. Install a backflow preventer upstream from the pump if necessary.*

- a. If inlet water pressure is over 100 psi, install a regulating water valve at the garden hose connection.
- b. Do not exceed 100° F (38° C) inlet water temperature.

NOTE: The inlet water supply must have a minimum flow rate of 5 gpm (19 lpm).

4. Turn the water supply ON.

NOTICE *Never run the unit dry. Be sure the water supply is completely turned on before operating the unit.*

5. Trigger the gun until water sprays from the tip indicating that all air is purged from the system. Set the trigger safety latch.
6. Open the fuel shutoff valve by turning the lever to the right/"ON" position. Close the choke (if the engine is cold) by moving the choke lever fully to the left. Move the throttle fully to the left to the "Run" or "Rabbit" position. Turn the ON/OFF switch to the "ON" position.



Figure 10 - Throttle

Operation (Continued)

7. Start the engine: Unlock the trigger safety latch on the gun. Grasp the starter rope and brace one foot on the chassis. While squeezing the trigger on the gun, pull the starter rope rapidly and firmly. Continue holding the rope as it returns. Repeat these steps until the engine starts.

CAUTION *When pulling the starter rope, make sure to keep your hand and arm clear of the engine and cart components.*

NOTICE *Never let the starter rope return by itself. Doing so could jam the recoil system.*

8. If the engine does not start after two or three pulls or if the rope is hard to pull, squeeze the gun trigger to release the pressure that has built up in the high pressure hose. Repeat Steps 7 and 8 until the engine starts.

3. Initial High Pressure Rinse

Spray the cleaning surface with water to clear off any dirt or grime that may have collected on the surface. Doing so allows the detergent to attack the deep down dirt that has worked its way into the cleaning surface.

After the engine starts, trigger the gun 3 to 5 times to get any trapped air out of the system. After the spray becomes constant, you may need to adjust the pressure.

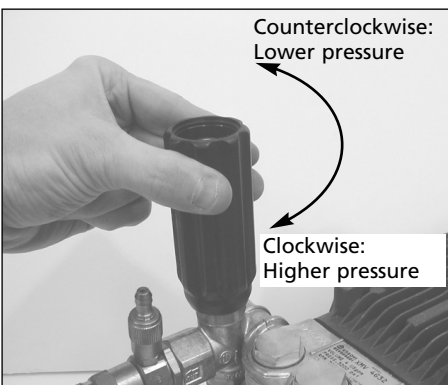


Figure 11 - Camshaft pump pressure adjustment

PRESSURE ADJUSTMENT

Please refer to your CAT pump manual for specific pressure adjustment details.

ADJUSTING THE SPRAY FAN ANGLE

Five quick connect tips are included with this pressure washer. The tips have a range of spray fan angles, ranging from 0°, narrow high impact, to a 65° wide fan spray.

Pressure can also be adjusted by moving closer or further away from the cleaning surface and by adjusting the spray fan angle as shown.

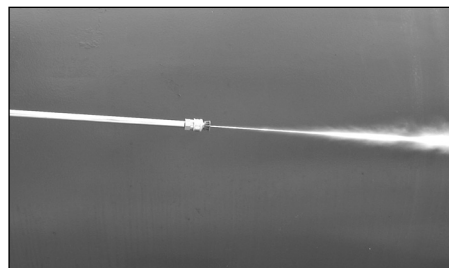


Figure 12 - Narrow high impact stream

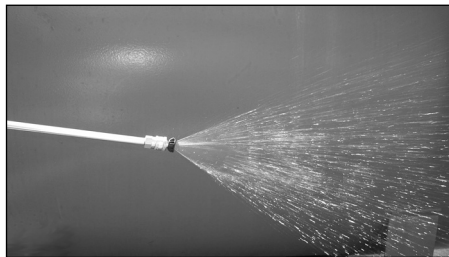


Figure 13 - Wide fan pattern

ANGLE TO THE CLEANING SURFACE

When spraying water against a surface, you can generate maximum impact by striking the surface head on. However, this type of impact can cause dirt particles to embed in the surface and can prevent the desired cleaning action.

The optimum angle for spraying water against a cleaning surface is 45 degrees.

Spray water against a surface at a 45 degree angle to achieve the most beneficial impact force and to efficiently remove debris.

DISTANCE FROM CLEANING SURFACE

The distance between the spray tip and the cleaning surface is another factor that affects the impact force of the water. The impact force of the water increases as the tip is moved closer to the surface.



Figure 14 - Optimum angle to cleaning surface

HOW TO AVOID DAMAGING SURFACES

Damage to cleaning surfaces occurs because the impact force of the water exceeds the durability of the surface. You can vary the impact force by controlling the spray tip angle to the cleaning surface and the distance from the cleaning surface and by changing the spray tip. NEVER use a narrow high impact stream on a surface that is susceptible to damage. Avoid spraying windows with a narrow high impact stream. Doing so may break the window. The most sure way to avoid damaging surfaces is to follow these steps:

1. Before triggering the gun, make sure the quick connect tip you are using is appropriate for the application.
2. Place the spray tip approximately 4-5 feet (1,22-1,52 m) away from the cleaning surface. Then hold the lance and spray tip at a 45 degree angle to the cleaning surface. Trigger the gun.
3. Vary the fan pattern spray angle and the distance to the cleaning surface until optimum cleaning efficiency is achieved without damaging the surface.

Operation (Continued)

4. Detergent Application

NOTE: Use only detergents formulated for pressure washers. Test detergent in an inconspicuous area before use.

DETERGENTS

The use of detergents can dramatically reduce cleaning time and assist in the removal of difficult stains. Many detergents are customized for pressure washer use on specific cleaning tasks. Pressure washer detergents are as thick as water. Using thicker detergents – like dish soap – will clog the chemical injection system and prevent the application of the detergent.

Once applied to a cleaning surface, detergents take time to break down dirt and grime. Detergents work best when applied at low pressure.

You can effectively clean surfaces by combining the chemical action of detergents with high pressure rinses. On vertical surfaces, apply the detergent starting at the bottom and work your way upward. This method prevents the detergent from sliding down and causing streaks. Begin high pressure rinsing at the bottom and work your way upward. On particularly tough stains, use a brush in combination with detergents and high pressure rinsing.

1. Follow manufacturer's label directions for mixing correct concentrations of soap/detergents. The soap detergent to water ration through the pump is approximately 10% (1 to 10).
2. Insert the filter end of the clear plastic detergent tube into the detergent container.
3. Use the BLACK 65° quick connect spray tip.
4. Adjust the detergent injection flow by turning the collar of the injector. Turning collar clockwise increases detergent flow.

GENERAL CLEANING TIPS

1. Apply the detergent so that it thoroughly covers the cleaning surface. Apply the detergent from bottom to top to prevent the detergent from sliding down and streaking. Wait a couple of minutes for the detergent to break down

the dirt and grime. Use a brush to lightly scrub heavily soiled areas. NEVER allow the detergent to dry on the cleaning surface.

2. To rinse: replace black 65° spray tip with another color tip.

⚠ WARNING *Never replace quick connect tip when gun is triggered. Always engage trigger lock on gun before removing or installing quick connect tips.*

3. After using detergents, flush the suction system by placing the detergent suction tube into a bucket of clean water and spraying with the black spray tip.

5. Cleaning Power

The easiest way to regulate the cleaning power of your pressure washer is by changing the distance from the surface you are cleaning. Begin spraying with a wide fan pattern while standing several feet from the surface. Slowly move closer to the object you are cleaning, adjusting the spray pattern as necessary, until you find the most effective cleaning technique.

NOTE: The unit also has a pressure adjustment knob on the pump that can adjust the pressure.

6. Final Rinse

The final rinse should start at the bottom and work upward. Make sure that you thoroughly rinse the surface and that you remove all detergent.

7. Pressure Relief Procedure

To reduce the risk of bodily injury or property damage, always follow this procedure whenever spraying is stopped, when work is completed, and before checking or repairing any part of the system.

1. Engage the trigger safety latch.
2. Turn the unit off.
3. Shut off the water supply.
4. Disengage the trigger safety latch and trigger the gun to relieve pressure.
5. Re-engage the trigger safety latch.
6. When checking or repairing unit, remove the ignition cable from the spark plug.

7. Before overnight storage, long term storage, or transporting unit, disconnect the water supply and turn off the fuel supply valve.

8. Shutdown

1. Be sure all detergent is flushed from system.
2. Turn the engine OFF.
3. Turn the water supply OFF.
4. After the engine and water supply are turned off, trigger the gun to depressurize the system.

NOTICE *NEVER turn the water supply off before turning the enginemotor off. Serious damage could occur to the pump and/or enginemotor.*

⚠ CAUTION *NEVER disconnect the high pressure discharge hose from the machine while the system is pressurized. To depressurize, turn enginemotor off, turn water supply off and squeeze gun trigger 2-3 times.*

5. After each use, wipe all surfaces of the pressure washer with a clean, damp cloth.

9. Storage

- Do not store the pressure washer outdoors.
- Do not store the pressure washer where it might freeze unless it has been properly winterized.

LONG TERM STORAGE INSTRUCTIONS (MORE THAN 30 DAYS IN STORAGE)

1. Remove fuel from the tank and run the pressure washer in a normal operating mode until the engine stops from a lack of fuel. Normal operating mode means actually spraying water from the gun while the engine is running.
Alternate method – Add fuel stabilizer to gas in the tank and run in normal operating mode for at least five minutes.
2. Stop the engine, turn off the water supply, and trigger the gun to release pressure in the high-pressure hose.
3. Disconnect the water supply and high pressure hose from the pump.
4. Allow the engine to cool.

Operation (Continued)

5. Disconnect the spark plug wire and remove the spark plug.
6. Pour 1/2 oz. of engine oil into the spark plug hole.

⚠ WARNING *Never pull the starter rope on the engine when the spark plug is removed unless the spark plug hole is covered. Fuel vapor from the hole can ignite by a spark.*

7. Place a rag over the spark plug hole and slowly pull the starter rope several times to distribute the oil.

WINTERIZING INSTRUCTIONS

1. Follow and complete the Long Term Storage Instructions above.
2. Disconnect the spark plug wire.
3. Disconnect the high pressure hose from the pump.

4. Insert a 12 in. to 14 in. piece of garden hose into the pump inlet.
5. Place a funnel in the other end of the garden hose.

NOTICE *Read the manufacturer's instructions for safe handling and disposal of RV antifreeze.*

6. Pour approximately 6 oz. of RV antifreeze into the funnel.
7. Pull the starter rope several times until the RV antifreeze comes out of the pump outlet.
8. Disconnect the high pressure hose from the gun and drain the hose. Hold the gun and lance in a vertical position and squeeze the trigger to drain the water out.

TIPS FOR EXTENDING THE LIFE OF YOUR PRESSURE WASHER

1. Never operate the unit without water.
2. Your pressure washer is not meant to pump hot water. Never connect your pressure washer to a hot water supply as it will significantly reduce the life of the pump.
3. Running the unit for more than one minute without spraying water causes heat to build up in the pump. Running the unit without spraying water can damage pump components.

Maintenance

Observe regular maintenance intervals to ensure maximum performance and life from the pressure washer. Refer to the schedule for recommended maintenance. If you operate the pressure washer in dusty conditions, perform maintenance checks more often.

ENGINE OIL CHANGING INSTRUCTIONS

⚠ CAUTION *Before tipping the engine or equipment to drain oil, drain fuel from the fuel tank.*

NOTE: Change oil while the engine is cool.

1. Disconnect the spark plug wire from the spark plug.
2. Locate and remove the engine oil drain plug (See Figure 15).

3. Drain old oil.
4. Replace the drain plug and set the unit upright.
5. Refill the unit with new oil of a recommended type and quantity. Fill the unit to the bottom edge of the oil fill neck.

PUMP OIL CHECKING/ CHANGING INSTRUCTIONS

Please refer to provided CAT Pump Specification page provided with your Pressure Washer for details.

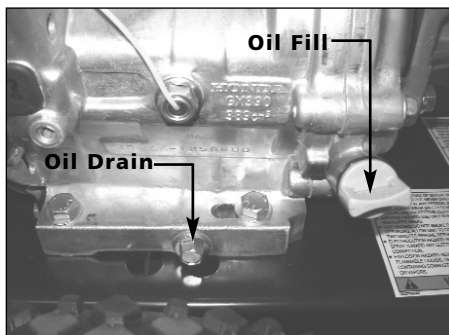


Figure 15 - Oil drain and fill locations

Maintenance (Continued)

Maintenance Schedule

Maintenance Schedule	Action needed
Daily	<ul style="list-style-type: none"> • Check water inlet screen and filter. • Check engine oil levels. Fill as necessary. • Check gasoline level. Fill as necessary.
After first 5 hours of operation	<ul style="list-style-type: none"> • Change engine break-in oil. Use 10W-30 automotive detergent oil. See your Honda Owner’s manual for specific information.
Every 25 hours of operation	<ul style="list-style-type: none"> • Change oil if operating under heavy load or high ambient temperature. • Clean or replace paper air cleaner cartridge. Tap gently to remove dirt.
Every 50 hours of operation	<ul style="list-style-type: none"> • Change oil. • Replace spark plug.
Each 100 hours of operation or every 3 months	<ul style="list-style-type: none"> • Replace paper air cleaner cartridge. • Change engine oil.

Technical and Consumer Information

Horizontal Oriented Pressure Washers	
Engine Oil Type	SAE 10W-30 (See Honda’s Owner Manual)
Engine Oil Capacity	
Honda GX160	20 fl. oz.
Honda GX270	37 fl. oz.
Honda GX390	37 fl. oz.
Engine Fuel Capacity	
Honda GX160	3.3 US quarts (3.1 L)
Honda GX270	5.6 US quarts (5.3 L)
Honda GX390	6.4 US quarts (6.1 L)
Pump Oil Type	CAT pump oil
Pump Oil Capacity	
CAT Pumps	
3DNX25	8.5 fl. oz.
3SPX30	10.15 fl. oz.
66DX35	18 fl. oz.
Pump Detergent Suction	
Water to detergent ratio	10 to 1 (10% detergent)
Water Supply Requirements	
Minimum inlet pressure	20 psi
Maximum inlet pressure	100 psi
Maximum inlet temperature	100° F
Minimum inlet flow rate	5 gpm
Inlet garden hose size	5/8 in. I.D.
Maximum inlet garden hose length	50 ft

Service Record

Date	Maintenance performed	Replacement components required
_____	_____	_____
_____	_____	_____
_____	_____	_____
_____	_____	_____
_____	_____	_____
_____	_____	_____
_____	_____	_____
_____	_____	_____
_____	_____	_____
_____	_____	_____
_____	_____	_____
_____	_____	_____
_____	_____	_____
_____	_____	_____
_____	_____	_____
_____	_____	_____
_____	_____	_____

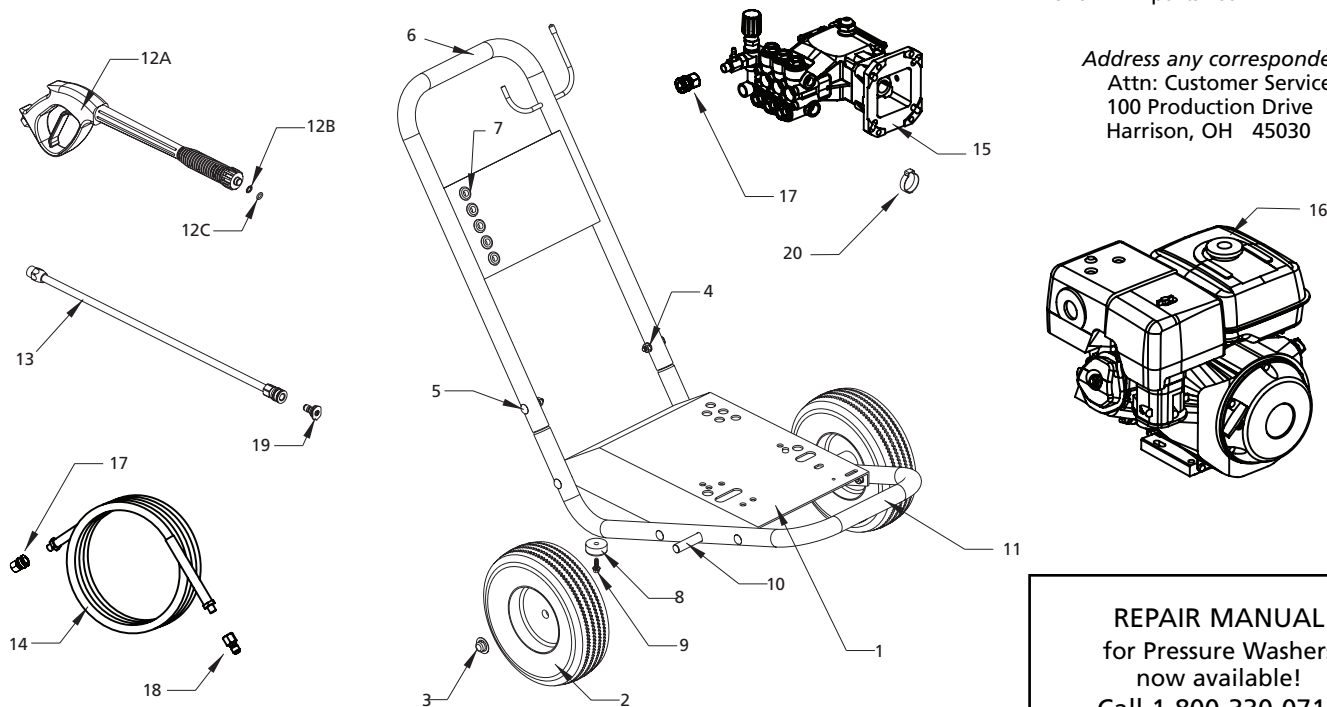
Replacement Parts List

**For replacement parts or technical assistance,
call 1-800-330-0712**

Please provide following information:

- Model number
- Serial number (if any)
- Part description and number as shown in parts list

Address any correspondence to:
Attn: Customer Service
100 Production Drive
Harrison, OH 45030 U.S.A.



REPAIR MANUAL
for Pressure Washers
now available!
Call 1-800-330-0712

Replacement Parts List

Ref. No.	Description	Part Numbers			Qty.
		PW2770	PW3270	PW4070	
1	Base Plate	PM237600SJ	PM237600SJ	PM237600SJ	1
2	Pneumatic Wheel	WA005620AV	WA005620AV	WA005620AV	2
3	Pushnut	AL066300AV	AL066300AV	AL066300AV	2
4	5/16 in. -18 Nut	PM031100AV	PM031100AV	PM031100AV	8
5	5/16 in. -18 Rounded square neck bolt	MJ101206AV	MJ101206AV	MJ101206AV	8
6	Handle	PM344845AJ	PM344845AJ	PM344845AJ	1
7	Quick Connect Tip Grommet	MJ110200AV	MJ110200AV	MJ110200AV	5
8	Rubber Bumper	AL062300AV	AL062300AV	AL062300AV	2
9	1/4 in. -20 x 3/4 in. Self-tapping screw	MJ102100AV	MJ102100AV	MJ102100AV	2
10	Axle rod	PM090010AV	PM090010AV	PM090010AV	1
11	Frame	PM343705AV	PM343705AV	PM343705AV	1
12a	Gun	PM005133AV	PM005133AV	PM005133AV	1
12b	Gun o-ring	PM345402SV	PM345402SV	PM345402SV	2
12c	Gun back-up o-ring	PM232211SV	PM232211SV	PM232211SV	1
13	Lance	PM035120AV	PM035120AV	PM035120AV	1
14	High pressure hose	PM005010AV	PM005012AV	PM005012AV	1
15	Pump Assembly	PM347000SJ	PM347100SJ	PM347200SJ	1
16	Engine	See note below	See note below	See note below	1
17	Socket - Quick connect	PM068070AV	PM068070AV	PM068070AV	2
18	Plug - Quick connect	PM068066AV	PM068066AV		1
19	Quick Connect Tips				
	0 (Red)	PM039870AV	PM039700AV	PM039700AV	1
	15 (Yellow)	PM039880AV	PM039710AV	PM039710AV	1
	25 (Green)	PM039890AV	PM039720AV	PM039720AV	1
	40 (White)	PM039900AV	PM039730AV	PM039730AV	1
	Detergent (Black)	PM039820AV	PM039820AV	PM039820AV	1
20	1 in. Hose clamp	▲	▲	▲	1

▲ Standard hardware item

Note: For engine service or replacement parts, call Honda at 1-800-426-7701

Troubleshooting Chart - Gasoline Powered Pressure Washers Only

Symptom	Possible Cause(s)	Corrective Action(s)
Engine will not start or is hard to start	<ol style="list-style-type: none"> 1. No gasoline in fuel tank or carburetor 2. Low oil 3. Start/Stop switch in stop position 4. Water in gasoline or old fuel 5. Dirty air cleaner filter 6. Spark plug dirty, wrong gap or wrong type 7. Spray gun closed 8. Other causes 	<ol style="list-style-type: none"> 1. Fill the tank with gasoline, open fuel shut off valve. Check fuel line and carburetor 2. Check oil level. Fill if necessary 3. Move switch to start position 4. Drain fuel tank and carburetor. Use new fuel and dry spark plug 5. Remove and clean or replace 6. Clean, adjust the gap, or replace 7. Trigger spray gun 8. See engine owner's manual
Engine misses or lacks power	<ol style="list-style-type: none"> 1. Partially plugged air cleaner filter 2. Spark plug dirty, wrong gap or wrong type 	<ol style="list-style-type: none"> 1. Remove and clean or replace 2. Clean, adjust the gap, or replace
Low pressure and/or pump runs rough	<ol style="list-style-type: none"> 1. Worn or wrong size tip 2. Inlet filter on pump clogged 3. Worn water seals, abrasives in water, or natural wear 4. Fouled or dirty inlet or discharge valves 5. Restricted inlet 6. Worn inlet or discharge valves 7. Leaking high pressure hose 8. Pump drawing in air 9. Unloader valve seat faulty or worn 	<ol style="list-style-type: none"> 1. Replace with tip of proper size 2. Clean. Check more frequently 3. Check filter. Replace water seals. See service center 4. Clean inlet and discharge valve assemblies. Check filter 5. Check garden hose, may be collapsed or kinked. Check inlet water flow 6. Replace worn valves 7. Replace high pressure hose 8. Ensure hoses and fittings are tight 9. Check and replace
Water leakage from under pump manifold	Worn water seals	Install new water seals. See service center
Water in pump crankcase (milky oil)	<ol style="list-style-type: none"> 1. Humid air condensing inside crankcase 2. Oil seals leaking 	<ol style="list-style-type: none"> 1. Change oil as specified in maintenance schedule 2. Install new oil seals. See service center
Frequent or premature failure of the pump water seals	<ol style="list-style-type: none"> 1. Scored damaged or worn plungers 2. Abrasive material in the fluid 3. Inlet water temperature too high 4. Overpressurizing pump 5. Excessive pressure due to partially plugged or damaged tip 6. Pump running too long without spraying 7. Pump running dry 	<ol style="list-style-type: none"> 1. Install new plungers. See service center 2. Install proper filtration on pump inlet plumbing 3. Check water temperature; may not exceed 100° F. 4. Do not modify any factory set adjustments. 5. Clean or replace tip. 6. Never run pump more than 2 minutes without spraying 7. Do not run pump without water
Strong surging at the inlet and low pressure	Foreign particles in the inlet or discharge valve or worn inlet and/or discharge valves	Clean or replace valves. See service center
Oil leakage between the engine and the pump	Worn oil seals and/or o-ring	Replace oil seals and/or o-ring. See service center
Fluctuating pressure	<ol style="list-style-type: none"> 1. Valve worn, dirty or stuck 2. Pump drawing in air 3. Tip clogged 	<ol style="list-style-type: none"> 1. Check and replace 2. Ensure hoses and fittings are tight. Purge air from garden hose 3. Check or replace
Pressure drops after period of normal use	<ol style="list-style-type: none"> 1. Worn pump water seals 2. Nozzle worn 3. Valve worn, dirty or stuck 4. Unloader valve seat worn or dirty 5. Nozzle in low psi position 	<ol style="list-style-type: none"> 1. Check and replace 2. Check and replace 3. Check, clean or replace 4. Check, clean or replace 5. Pull back nozzle to high pressure position

Troubleshooting Chart - Gasoline Powered Pressure Washers Only

Symptom	Possible Cause(s)	Corrective Action(s)
Pump noisy / pump runs rough	<ul style="list-style-type: none"> 1. Pump drawing in air/low water supply 2. Valves dirty or worn 3. Worn bearings 4. Water too hot 	<ul style="list-style-type: none"> 1. Ensure fittings are tight. Increase water pressure 2. Check, clean or replace 3. Check and replace 4. Reduce temperature below 100° F
Pressure washer will not spray detergent	<ul style="list-style-type: none"> 1. Not using soap tip 2. Clog, kink, or hole in detergent suction hose 3. Hose length too long 4. Lance not functioning properly 	<ul style="list-style-type: none"> 1. Install 65 degree (black) soap tip 2. If clean, unkink or replace hose. 3. Use only hose length provided with initial purchase of pressure washer. Detergent suction will not function if more than one section of hose is attached to unit. 4. Remove lance from gun. If detergent is dispensed through gun, the lance must be replaced. If no detergent is dispensed through gun, remove 1" tapered detergent barb from pump. Clean the barb, and make sure that ball and spring are properly aligned with tapered portion of the spring facing the ball. The ball should be on top of the spring.

Notes

Limited Warranty

1. **DURATION:** From the date of purchase by the original purchaser as follows: Three Years
2. **WHO GIVES THIS WARRANTY (WARRANTOR):** Campbell Hausfeld / Scott Fetzer Company, 100 Production Drive, Harrison, OH 45030, Telephone: 1-800-330-0712
3. **WHO RECEIVES THIS WARRANTY (PURCHASER):** The original purchaser (other than for purposes of resale) of the Campbell Hausfeld pressure washer.
4. **WHAT PRODUCTS ARE COVERED UNDER THIS WARRANTY:** Any Campbell Hausfeld Pressure Washer supplied or manufactured by the Warrantor.
5. **WHAT IS COVERED UNDER THIS WARRANTY:** Substantial defects on material and workmanship which occur within the duration of the warranty period with the exceptions noted below.
6. **WHAT IS NOT COVERED UNDER THIS WARRANTY:**
 - A. Implied warranties, including those of merchantability and FITNESS FOR A PARTICULAR PURPOSE ARE LIMITED FROM THE DATE OF ORIGINAL PURCHASE AS STATED IN THE DURATION. Some states do not allow limitation on how long an implied warranty lasts, so the above limitations may not apply to you.
 - B. ANY INCIDENTAL, INDIRECT, OR CONSEQUENTIAL LOSS, DAMAGE, OR EXPENSE THAT MAY RESULT FROM ANY DEFECT, FAILURE, OR MALFUNCTION OF THE CAMPBELL HAUSFELD PRESSURE WASHER. Some States do not allow the exclusion or limitation of incidental or consequential damages, so the above limitation or exclusion may not apply to you.
 - C. Any failure that results from shipping damage, accident, purchaser's abuse, neglect or failure to install and operate pressure washer in accordance with instructions provided in the owner's manual(s) supplied with product.
 - D. Pre-delivery service, i.e. assembly, oil or lubricants and adjustment.
 - E. Items or service normally required to maintain the pressure washer.
 - F. Gasoline engine and components are expressly excluded from coverage under this limited warranty. Such components should be returned by the purchaser to the original manufacturer or to its authorized repair stations for service.
 - G. Additional items not covered under the warranty:
 1. Normal wear items such as high pressure hoses, water and oil seals, o-rings, valves, lances and spray tips.
 2. Motor brushes (Electric models only).
 3. Cosmetic defects that do not interfere with functionality.
 4. Rusted components.
 5. Pump wear or valve damage caused by using improper oil, oil contamination or by failure to follow proper oil maintenance guidelines.
7. **RESPONSIBILITIES OF WARRANTOR UNDER THIS WARRANTY:** Repair or replace, at Warrantor's option, pressure washer or component which is defective, has malfunctioned and/or failed to conform within duration of the warranty period.
8. **RESPONSIBILITIES OF PURCHASER UNDER THIS WARRANTY:**
 - A. Provide dated proof of purchase and maintenance records.
 - B. Deliver or ship the Campbell Hausfeld pressure washer or component to nearest Campbell Hausfeld Authorized Service Center. Freight costs, if any, must be borne by the purchaser.
 - C. Use reasonable care in the operation and maintenance of the pressure washer as described in the owner's manual(s).
9. **WHEN WARRANTOR WILL PERFORM REPAIR OR REPLACEMENT UNDER THIS WARRANTY:** Repair or replacement will be scheduled and serviced according to the normal work flow at the servicing location, and depending on the availability of replacement parts.

This Limited Warranty applies in the U.S., Canada and Mexico only and gives you specific legal rights. You may also have other rights which vary from state to state or country to country.

Sírvase registrar el N° de modelo y el N° de serie para usarlos cuando se ponga en contacto con el fabricante:

N° de modelo _____ Fecha de compra _____

N° de serie _____ Lugar de compra _____

Para obtener información sobre este producto, llame al 1-800-330-0712



Model PW2770



Model PW3270



Model PW4070

Índice

Página

Preguntas Frecuentes	16
Conozca su Lavadora a presión	17
Advertencias e Información de Seguridad	18
Ensamblaje y Previo al Funcionamiento	19 - 20
Encendido, Funcionamiento, Apagado y Almacenamiento	20 - 23
Mantenimiento e Información Técnica	23 - 24
Registro de Servicio	24
Lista de Piezas de Repuesto	25
Tabla de Diagnóstico de Problemas	26 - 27
Garantía	28

Lea cuidadosamente y entienda estas instrucciones antes de poner en funcionamiento su lavadora a presión.

RECUERDE: ¡mantenga su comprobante de compra fechado para la garantía! Adjúntelo a este manual o archívalo para mantenerlo seguro.

Preguntas Frecuentes

Para encender la lavadora a presión

1. Asegúrese de que el motor tenga gasolina y aceite. El motor se entrega sin aceite.
2. Abra el pase de agua, luego presione el gatillo de la pistola para asegurarse de que el agua fluya con facilidad desde la boquilla.
3. Ponga el obturador completamente a la izquierda, en la posición "Fast/Start" (arranque/rápido). Coloque la válvula de cierre de combustible en "ON" (abierto).
4. Mueva la toma de aire completamente a la izquierda. Coloque la palanca de la válvula de combustible completamente a la derecha, en la posición "ON" (abierto).
5. Hale el gatillo (para aliviar toda retropresión de la bomba) mientras hala del cordón de arranque.

¿Qué tipo de aceite debo usar?

Motor: El motor **SE ENTREGA SIN ACEITE**. Vea la página 38 para los tipos y cantidades de aceite.

Bomba: La bomba se entrega con la cantidad correcta de aceite y no debe necesitar cambios o cantidades adicionales. Refiérase a las páginas 23 y 24 de este manual para las instrucciones del cambio de aceite, los tipos y cantidades de aceite.

¿Por qué el agua no tiene ninguna presión?

- ¿La manguera de agua está conectada a la lavadora a presión?
- ¿Está abierta el agua?
- Verifique que no haya codos o obstrucciones en las mangueras, los acoples o en la boquilla.
- ¿Está en su lugar la boquilla de conexión rápida? (Vea la página 19 y 20).
- ¿La rejilla interna del filtro está libre de residuos? Verifique y quite los residuos si es necesario.

¿Cómo puedo lograr alta presión?

- Use cualquier boquilla de color menos la negra. La boquilla negra se usa sólo para la aplicación de detergente a baja presión.

¿Cómo puedo activar la succión de jabón?

1. Conecte el tubo de plástico transparente de succión de productos químicos al conector plástico dentado de la bomba para la manguera, introduzca el otro extremo en el detergente.
2. Instale la boquilla de pulverización negra para aplicar detergente a baja presión.

¿Por qué la lavadora a presión no aplica el jabón a alta presión?

Los detergentes "resbalan" de las superficies de limpieza tan pronto como se apliquen. Las características de la lavadora a presión permiten que el detergente se succione sólo en el modo de presión baja. Aplicando el detergente en baja presión, se reduce el efecto de "resbalamiento". Además, los detergentes son eficaces cuando se permite un tiempo de contacto para que trabajen en la superficie de lo que se quiera limpiar. Después de aplicar el detergente, deje que trabaje de 1 a 3 minutos, y luego proceda a enjuagar la superficie con alta presión.

¿Qué mantenimiento debo darle a mi lavadora a presión?

1. Después de apagar la lavadora a presión y el agua, alivie la presión de la manguera halando el gatillo de la pistola.
2. Desconecte la manguera de jardín y la manguera de alta presión de la bomba.
3. Hale lentamente del cordón de arranque cinco veces para sacar el agua de la bomba. Esto ayuda a proteger la bomba de posibles daños.
4. No almacene su lavadora a presión en un lugar donde la temperatura puede bajar por debajo de 32°F (0°C).
5. Siga las instrucciones para el almacenamiento y preparación invernal adecuados, en pág. 22 - 23.

¿Qué hago si me falta una pieza?

Llame a Campbell Hausfeld al 1-800-330-0712 y reemplazaremos rápidamente las piezas faltantes. **¡NO DEVUELVA LA LAVADORA A PRESIÓN AL COMERCIANTE!**

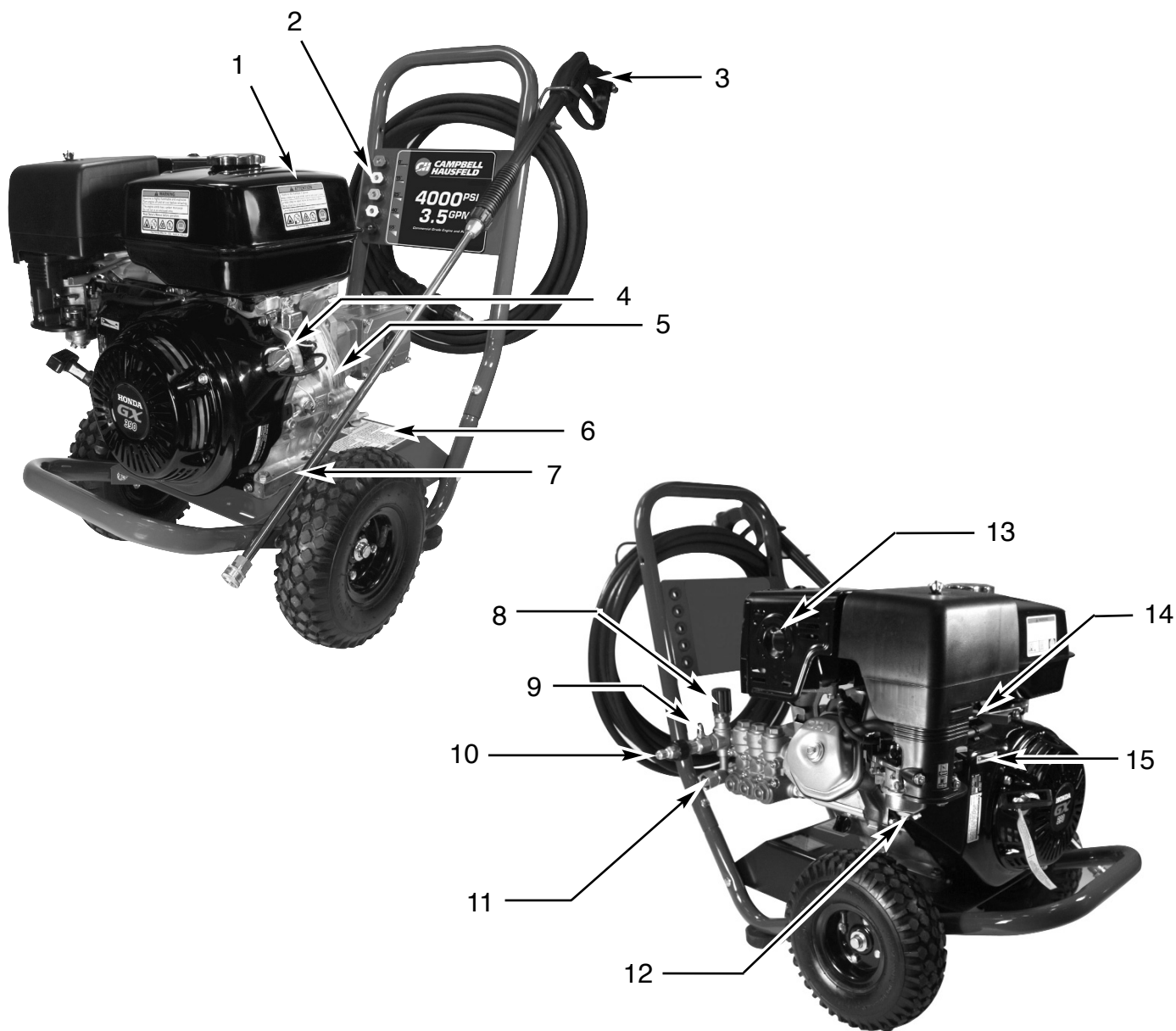
¿Dónde puedo comprar accesorios para mi lavadora a presión?

- Si no puede conseguir accesorios en el almacén donde ha comprado su lavadora a presión, llame a Campbell Hausfeld al 1-800-330-0712 o visite nuestro sitio web: www.chpower.com.

¿A quién llamo si tengo preguntas o problemas?

Llame a Campbell Hausfeld al 1-800-330-0712 (U.S.A.)

Conozca su Lavadora a presión



- | | | | |
|---|---|----|--|
| 1 | Tanque de combustible | 8 | Ajuste de presión |
| 2 | Soporte para boquillas con boquillas de pulverización | 9 | Tubo de inyección |
| 3 | Pistola con gatillo | 10 | Conexión para la manguera de alta presión |
| 4 | Interruptor de encendido/apagado (on/off) del motor | 11 | Conexión de entrada para la manguera de jardín |
| 5 | Orificio de llenado del aceite del motor | 12 | Válvula del combustible – On/Off (abierto/cerrado) |
| 6 | Número de serie/Etiqueta adhesiva del producto | 13 | Silenciador |
| 7 | Perilla de ajuste de presión | 14 | Control del obturador |
| | | 15 | Toma de aire |

Advertencias e Información de Seguridad

Guías de seguridad

Este manual contiene información que es muy importante que se conozca y comprenda. Esta información se proporciona con fines de SEGURIDAD y para EVITAR PROBLEMAS CON EL EQUIPO. Para ayudar a reconocer esta información, observe los siguientes símbolos.

▲ PELIGRO Peligro indica una situación inminentemente peligrosa, que si no se evita, OCASIONARÁ la muerte o lesiones graves.

▲ ADVERTENCIA Advertencia indica una situación potencialmente peligrosa, que si no se evita, PODRÍA ocasionar la muerte o lesiones graves.

▲ PRECAUCION Precaución indica una situación potencialmente peligrosa, que si no se evita, PUEDE dar como resultado lesiones leves o moderadas.

AVISO Aviso indica información importante que, si no se cumple, puede causar daños al equipo.

NOTA: Información que requiere atención especial.

Instrucciones de seguridad importantes

GUARDE ESTAS INSTRUCCIONES

PROPOSICIÓN 65 DE CALIFORNIA

▲ ADVERTENCIA Este producto, o su cordón eléctrico, puede contener productos químicos conocidos por el estado de California como causantes de cáncer y defectos de nacimiento u otros daños reproductivos. Lave sus manos después de usar.

▲ ADVERTENCIA

Cuando use este producto, siempre se deberán seguir precauciones básicas, incluyendo las siguientes:

1. Lea todas las instrucciones antes de usar el producto.
2. Para reducir el riesgo de lesiones, se deberá supervisar muy de cerca cuando un producto se usa cerca de niños.
3. Cumpla con todos los códigos de seguridad así como también con la Ley de salud y seguridad ocupacional (OSHA).
4. Asegúrese de que los dispositivos de seguridad estén funcionando correctamente antes de cada uso. NO quite ni modifique ninguna pieza de la pistola o la unidad.
5. Aprenda cómo detener este producto y liberar la presión rápidamente. Familiarícese bien con los controles.
6. Manténgase alerta y mire lo que está haciendo.

7. No haga funcionar el producto cuando esté fatigado o bajo la influencia de drogas o alcohol.
8. Mantenga a todas las personas alejadas del área de funcionamiento.
9. No se estire ni se pare sobre un apoyo inestable. Mantenga un buen soporte y equilibrio en todo momento.
10. Siga las instrucciones de mantenimiento que se especifican en el manual.

▲ ADVERTENCIA Riesgo de inyección o lesiones graves.

Manténgase alejado de la boquilla. No descargue chorros hacia las personas. Este producto está diseñado para que lo usen únicamente operadores capacitados. Siempre retire la lanza de la pistola antes de limpiar los residuos de la boquilla.

- Manténgase alejado de la boquilla. NUNCA dirija el rociado de alta presión a ninguna persona, animal ni a usted mismo.
- Use siempre gafas de seguridad y equipo de protección (protección de oídos, guantes, botas de caucho, vestimenta de protección) cuando usa este aparato o le da mantenimiento.
- Nunca coloque la mano ni los dedos sobre la boquilla de rociado mientras opera la unidad.
- Nunca intente detener ni desviar las pérdidas con partes de su cuerpo.
- Siempre enganche el pasador de seguridad del gatillo en la posición segura cuando detiene el rociado, aunque sea solamente por algunos minutos.
- Siempre siga las recomendaciones que se encuentran en la etiqueta del fabricante para el uso adecuado de detergentes. Siempre protéjase los ojos, la piel y las vías respiratorias del uso de detergentes.

▲ ADVERTENCIA

No ejerza presión que exceda la presión de funcionamiento de cualquiera de las piezas (mangueras, accesorios, etc.) en el sistema presurizado. Asegúrese de que todo el equipo y los accesorios estén clasificados para soportar la máxima presión de funcionamiento de la unidad.

▲ ADVERTENCIA Peligro de explosión.

- NUNCA rocíe líquidos inflamables ni use la lavadora a presión en áreas que contengan polvo, líquidos o vapores combustibles.
- Nunca ponga esta máquina en funcionamiento en un edificio cerrado o dentro o cerca de un entorno explosivo.
- No quite la tapa del tanque de combustible mientras el motor esté caliente o funcionando (deje que el motor se enfríe un par de minutos antes de añadir combustible). Llene siempre lentamente el tanque de combustible.

- Nunca desconecte la manguera de descarga de alta presión de la máquina mientras el sistema esté presurizado. Para despresurizar la máquina, apague la corriente eléctrica y el suministro de agua, luego presione el gatillo de la pistola 2 ó 3 veces.
- Nunca enganche el mecanismo del gatillo en forma permanente en la pistola.
- Nunca ponga la máquina en funcionamiento sin que los componentes estén debidamente conectados a la máquina (mango, pistola/ensamble de la varilla, boquilla, etc.).

AVISO

Daño al equipo.

- SIEMPRE encienda el suministro de agua antes de encender la lavadora a presión. El poner la bomba seca en funcionamiento provoca graves daños.
- No ponga en funcionamiento la lavadora a presión si se ha quitado la rejilla de la entrada de agua. Mantenga la rejilla libre de residuos y sedimentos.
- NUNCA opere la lavadora a presión si tiene piezas rotas o si le faltan piezas. Verifique el equipo periódicamente y repare o reemplace las piezas desgastadas o dañadas inmediatamente.
- Use únicamente la boquilla que viene con esta máquina.
- Nunca deje la varilla de pulverización sin supervisión mientras la máquina está en funcionamiento.
- No altere nunca el regulador del motor ni trate de cambiar las configuraciones de fábrica. El modificar configuraciones de fábrica podría dañar la unidad y anulará la garantía.
- Siempre sostenga la pistola y la varilla de pulverización con firmeza cuando encienda y opere la máquina.
- NUNCA permita que la unidad funcione durante más de un (1) minuto sin apretar el gatillo (desactivado). La acumulación de calor producida dañará la bomba.
- NUNCA guarde la lavadora a presión a la intemperie o donde pudiera congelarse. Las temperaturas de congelación pueden dañar seriamente la bomba.
- Suelte el gatillo cuando cambia de modos de alta presión a baja presión. El no hacerlo puede causar daños a la boquilla.

▲ PRECAUCION

Mantenga la manguera alejada de objetos afilados. Si la manguera explota puede causar lesiones. Examine las mangueras regularmente y reemplácelas si están dañadas. No intente reparar una manguera dañada.

Previo al funcionamiento

DESEMPAQUE

Retire el equipo y todas las piezas de la caja. La caja debe contener lo siguiente.

- Una lavadora a presión (bomba, motor, base del carro)
- Un conjunto del mango del carro
- Una pistola de pulverización y una lanza de conexión rápida
- Cinco boquillas de pulverización
- Una manguera de alta presión
- Un paquete con tuercas, pernos y manuales

Si faltara cualquier pieza, **NO DEVUELVA LA UNIDAD AL COMERCIANTE.**

Conozca el número del modelo de su unidad (ubicado en la placa con número de serie en el marco de la lavadora a presión) y llame al 1-800-330-0712 para repuestos.

Al desempacar este producto, revíselo con cuidado para cerciorarse de que esté en perfecto estado. Asegúrese de apretar los accesorios y los pernos antes de usar la lavadora a presión.

⚠ ADVERTENCIA

No haga funcionar la unidad si se ha dañado durante el transporte, el manejo o el uso. Los daños podrían ocasionar una explosión y ocasionarle lesiones o daños a la propiedad.

ENSAMBLAJE

Use una llave de 12,7 mm (1/2 in.) para ensamblar la lavadora a presión.

1. Deslice el ensamblaje del mango sobre las patas inferiores de la base del carro. Utilice las tuercas y pernos estándar (incluidos) para asegurar el mango a las patas (Ver Figura 1).

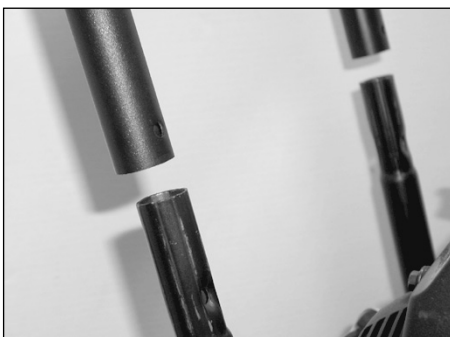


Figura 1 - Ensamblaje del mango

2. Presione la manguera plástica para detergente sobre el conector dentado (Ver Figura 2).



Figura 2 - Conecte el tubo de succión al conector dentado

3. Inserte las boquillas de pulverización de conexión rápida en los soportes de caucho en la parte delantera del letrero. (Vea la Figura 3).



Figura 3 - Inserte las boquillas de pulverización en el soporte

4. Asegure la manguera de jardín (no se incluye) a la conexión de entrada de la bomba (Ver Figura 4).

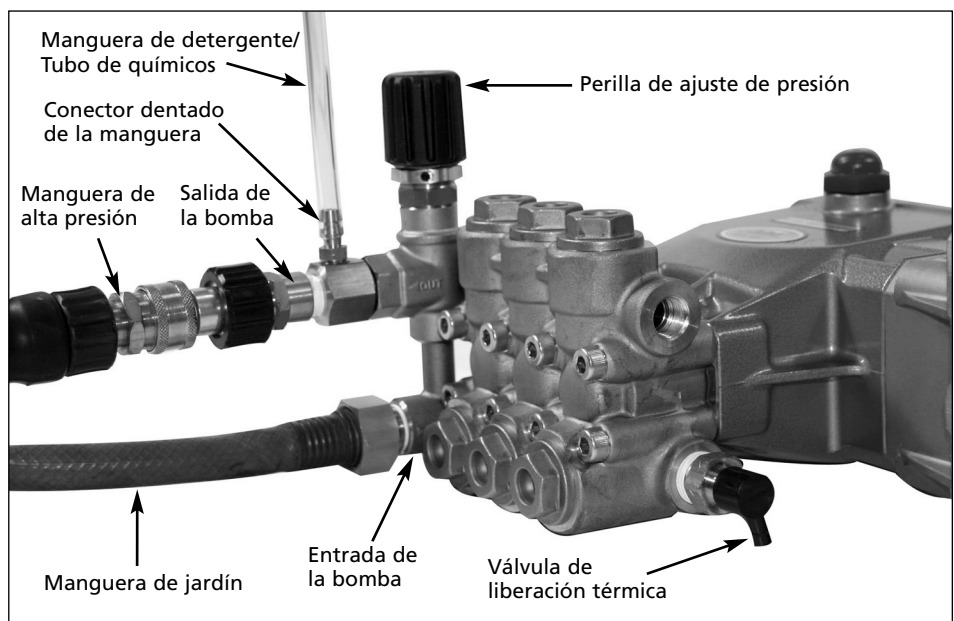


Figura 4 - Conexión de la bomba

5. Conecte la manguera de alta presión a la salida de la bomba (Ver Figuras 4 y 5).

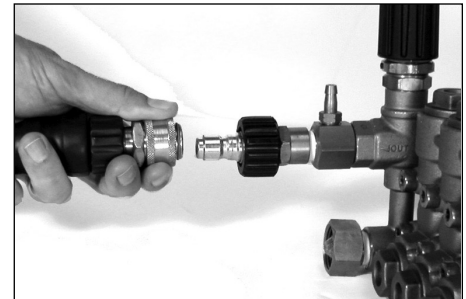


Figura 5 - Conecte la manguera de alta presión a la bomba

6. Conecte la lanza a la pistola (Vea la Figura 6).

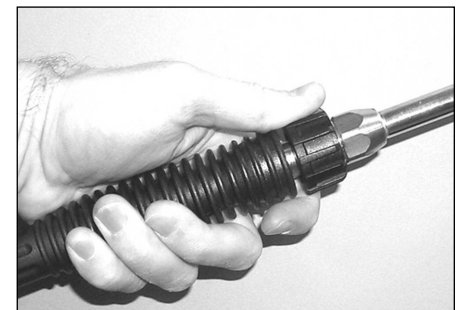


Figura 6 - Conecte la lanza a la pistola

Pre-Funcionamiento (Cont.)

7. Instale la boquilla de conexión rápida (Ver Figura 7).

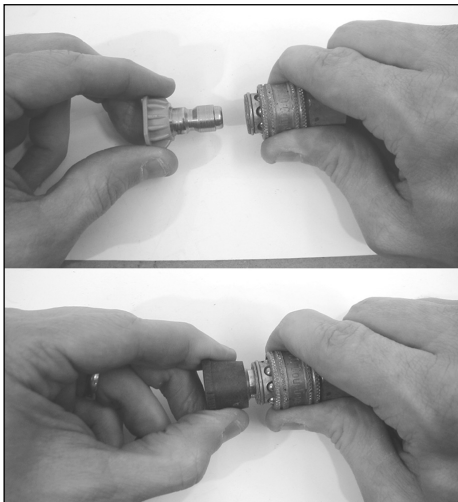


Figura 7 - Boquilla de conexión rápida

SEGURO DEL GATILLO

En la posición trabada, el seguro del gatillo impide que el gatillo sea accionado accidentalmente. Empuje el seguro completamente hacia arriba para que quede trabado (Ver Figura 8 y 9).

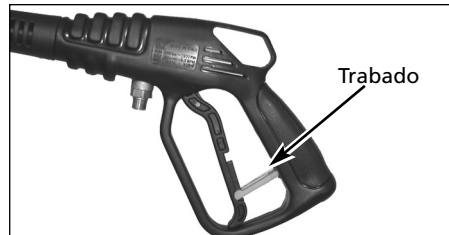


Figura 8 - Gatillo trabado

Cuando la unidad no está en uso, mantenga siempre trabado el seguro del gatillo.

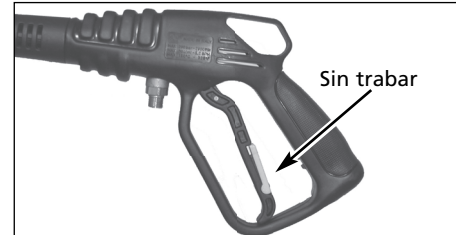


Figura 9 - Gatillo sin seguro

Funcionamiento

1. Preparación de la superficie

El siguiente procedimiento de limpieza lo ayudará a organizar su tarea de limpieza y asegurará que logre los resultados más beneficiosos en la menor cantidad de tiempo. Recuerde usar las técnicas de rociado/limpieza que se mencionan en la sección siguiente.

Antes de empezar su trabajo de limpieza con la lavadora a presión, prepare la superficie que desea limpiar. Retire los muebles del área y asegúrese de que todas las ventanas estén firmemente cerradas. También proteja con paños cobertores las plantas y los árboles cerca del área de limpieza. El cubrirlos asegura de que las plantas no quedarán rociadas de detergente.

2. Encendido

SIEMPRE use este procedimiento de encendido para asegurar que la unidad arranque apropiadamente y sin peligros.

AVISO

Si el agua se ha congelado dentro de la lavadora a presión, descongele la lavadora en una habitación tibia antes de arrancar. NO vierta agua caliente sobre o dentro de la bomba; eso daña las partes al interior.

1. Verifique los niveles de aceite del motor. Agregue aceite si es necesario.

2. Revise el nivel de combustible. Añada gasolina sin plomo (de 86 octanos o más) si necesario.

⚠ ADVERTENCIA

NO llene el tanque de combustible con el motor caliente. Añadir combustible con el motor caliente puede causar un incendio. Use sólo gasolina regular o sin plomo, limpia y reciente. Mientras añade combustible, cierre la válvula de cierre del combustible.

3. Conecte una manguera de jardín a la entrada de la bomba, y conéctela al suministro de agua. Use una manguera con diámetro interno (I.D.) de 15,9 mm (5/8 in.) y 15 m (50 pies) o menos de largo.

AVISO

Algunos códigos de plomería locales exigen una prevención del retroceso del flujo cuando se haga una conexión al suministro de agua. Instale un dispositivo que impida el retroceso del flujo antes de la bomba si fuera necesario.

- a. Si la presión de agua en entrada supera las 100 psi, instale una válvula de regulación de agua en la conexión de la manguera de jardín.
- b. La temperatura del agua en entrada no debe exceder los 100°F (38°C).

NOTA: El suministro de agua en entrada debe tener un caudal mínimo de 5 gpm (19 lpm).

4. Abra el suministro de agua.

AVISO

No haga funcionar nunca la unidad en seco. Asegúrese de que el suministro de agua esté completamente abierto antes de hacer funcionar la unidad.

5. Hale el gatillo de la pistola hasta que pulverice el agua de la boquilla indicando que todo el aire ha sido purgado del sistema. Trabe el seguro del gatillo.
6. Abra la válvula de cierre de combustible moviendo la palanca a la derecha en la posición "ON". Cierre la toma de aire (si el motor está frío) moviendo la palanca de la toma de aire totalmente a la izquierda. Mueva el obturador totalmente a la izquierda a la posición de "Run" o "Rabbit". Gire el interruptor de encendido/apagado (ON/OFF) en la posición de encendido (ON).



Figura 10 - Obturador

Funcionamiento (continuación)

7. Arranque el motor: Destabe el seguro del gatillo de la pistola. Agarre el cordón de arranque y coloque un pie en el marco. Mientras oprime el gatillo de la pistola, hale del cordón de arranque con rapidez y firmemente. Siga manteniendo el cordón mientras lo devuelve. Repita estos pasos hasta que el motor arranque.

PRECAUCIÓN

Cuando hale del cordón de arranque, asegúrese de que su mano y brazo no queden enredados con el motor o los componentes del carro.

AVISO

No deje nunca que el condón de arranque se devuelva solo. El hacerlo así puede trabar el sistema de retroceso.

8. Si el motor no arranca después de dos o tres jalones, o si el cordón es muy duro para halar, presione el gatillo de la pistola para aliviar la presión que se haya acumulado en la manguera de presión. Repita los pasos 7 y 8 hasta que el motor arranque.

3. Enjuague inicial de alta presión

Rocíe la superficie que desea limpiar con agua para retirar toda suciedad o patina que pueda haberse acumulado en la superficie. Esto permitirá que el detergente actúe sobre la suciedad más profunda que se haya introducido dentro de la superficie de limpieza.

Después de que se encienda el motor, apriete el gatillo de la pistola entre 3 y 5 veces para eliminar cualquier resto de aire que haya quedado en el sistema. Después de que el rociado sea constante, puede necesitar un ajuste de presión.



Figura 11 - Ajuste de la presión de la bomba de árbol de distribución

AJUSTE DE LA PRESIÓN

Refiérase por favor al manual de su bomba CAT para los detalles específicos de ajuste de presión.

AJUSTE DEL ÁNGULO DEL ABANICO DE ROCIADO

Esta lavadora a presión incluye cinco boquillas de conexión rápida. Las boquillas tienen un rango de ángulos del abanico de rociado que va de 0°, angosto para gran impacto, a 65° para un abanico ancho.

La presión puede ajustarse también acercándose o alejándose de la superficie a limpiar y cambiando el ángulo del abanico de rociado como se muestra.

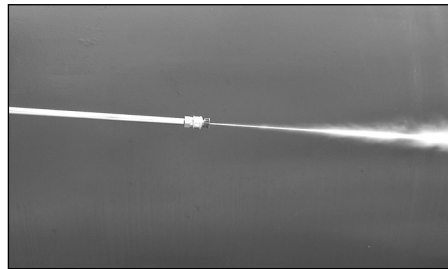


Figura 12 – Chorro angosto de gran impacto

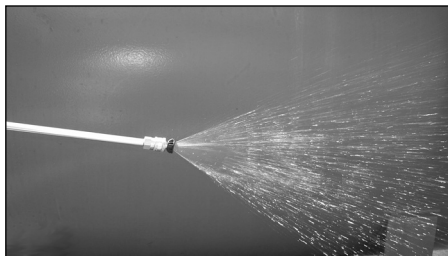


Figura 13 – Patrón de abanico ancho

ÁNGULO CON LA SUPERFICIE DE LIMPIEZA

Cuando pulverice agua contra una superficie, puede generar el mayor impacto golpeando derecho sobre la superficie. Sin embargo, este tipo de impacto puede causar que las partículas de suciedad queden incrustadas en la superficie previniendo la acción limpiadora deseada.

El ángulo mejor para pulverizar agua contra una superficie de limpieza es de 45 grados.

Pulverice agua contra una superficie a 45 grados para lograr la fuerza de impacto más eficiente y quitar la suciedad eficazmente.



Figura 14 - Ángulo mejor para limpiar una superficie

DISTANCIA DE LA SUPERFICIE A LIMPIAR

La distancia entre la superficie y la boquilla de pulverización es otro factor que afecta la fuerza de impacto del agua. La fuerza de impacto del agua aumenta al acercarse la boquilla a la superficie.

CÓMO EVITAR EL DAÑO A LAS SUPERFICIES

El daño a las superficies de limpieza ocurre porque la fuerza de impacto del agua supera la durabilidad de la superficie. Puede variar la fuerza de impacto variando el ángulo de la boquilla de pulverización con la superficie de limpieza, la distancia de la superficie, y cambiando la boquilla. NUNCA utilice un chorro angosto de alto impacto sobre una superficie propensa a ser dañada. Evite rociar las ventanas con un chorro angosto de alto impacto. Hacer esto puede quebrar la ventana. La forma más segura de evitar dañar las superficies es seguir estos pasos:

1. Antes de halar el gatillo de la pistola, asegúrese de que la boquilla que está usando es apropiada para el uso.
2. Coloque la boquilla aproximadamente a 4-5 pies (1,22 – 1,52 m) de distancia de la superficie de limpieza. Luego sostenga la boquilla en un ángulo de 45 grados con respecto a la superficie de limpieza. Hale el gatillo.
3. Varíe el ángulo de rociado del patrón en abanico y la distancia a la superficie de limpieza hasta lograr una óptima eficiencia de limpieza sin dañar la superficie.

Funcionamiento (continuación)

4. Aplicación de detergente

NOTA: Use sólo detergentes formulados para lavadoras a presión. Pruebe el detergente en un área poco visible antes de usar.

DETERGENTES

El uso de detergentes puede reducir radicalmente el tiempo de limpieza y ayudar a eliminar las manchas resistentes. Muchos detergentes han sido diseñados específicamente para usar con lavadoras a presión en tareas de limpieza específicas. Los detergentes para lavadoras a presión tienen la misma densidad del agua. El uso de detergentes más densos – como el jabón para los platos – obstruye el sistema de inyección química y previene la aplicación del detergente.

Una vez aplicados a la superficie de limpieza, los detergentes toman un tiempo para disolver la suciedad y el tizne. Los detergentes funcionan mejor cuando se aplican a baja presión.

Puede limpiar eficazmente las superficies combinando la acción química del detergente con enjuagues de alta presión. En superficies verticales, aplique el detergente comenzando desde abajo y avanzando hacia arriba. Este método evita que el detergente se escurra hacia abajo dejando marcas. Empiece el enjuague de alta presión desde el fondo y proceda hacia arriba. Para manchas especialmente persistentes, use un cepillo en combinación con detergentes y enjuagues de alta presión.

1. Siga las indicaciones del fabricante que aparecen en la etiqueta para utilizar las concentraciones de mezcla correctas de los jabones/detergentes. La proporción de jabón/detergente con respecto al agua para la bomba es de aproximadamente 10% (1 a 10).
2. Introduzca el extremo del filtro del tubo de detergente de plástico transparente dentro del recipiente de detergente.
3. Use la boquilla negra de conexión rápida de 65°.
4. Ajuste el flujo de inyección de detergente girando el anillo del inyector. El girar el anillo a la derecha aumenta el flujo de detergente.

CONSEJOS GENERALES DE LIMPIEZA

1. Aplique el detergente en forma que cubra completamente la superficie de limpieza. Aplique el detergente desde abajo hacia arriba para evitar que el detergente se escurra y deje marcas. Espere un par de minutos para que el detergente actúe sobre la suciedad y el tizne. Use un cepillo para cepillar suavemente las áreas muy sucias. Nunca deje secar el detergente sobre la superficie de limpieza.

2. Para enjuagar: Reemplace la boquilla negra de 65° por otra boquilla de otro color.

⚠ ADVERTENCIA

Nunca reemplace una boquilla de conexión rápida cuando el gatillo de la pistola esté presionado. Siempre trabe el seguro del gatillo de la pistola antes de quitar o instalar las boquillas de conexión rápida.

3. Después de usar detergentes, enjuague el sistema de succión colocando el tubo de succión de detergente dentro de un cubo de agua limpia y rociando con la boquilla negra.

5. Poder de limpieza

La forma más fácil de regular el poder de limpieza de su lavadora a presión es cambiando la distancia a la superficie que está limpiando. Comience a rociar con un patrón de abanico amplio mientras se para a varios pies de la superficie. Acérquese lentamente al objeto que está limpiando, mientras ajusta el patrón de rociado según sea necesario, hasta que encuentre la técnica de limpieza más eficaz.

NOTA: La unidad también tiene una perilla de ajuste de presión en la bomba, que puede regular la presión.

6. Enjuague final

El enjuague final debería empezar por el fondo y desplazarse hacia arriba. Asegúrese de enjuagar la superficie por completo y de quitar todo el detergente.

7. Procedimiento para aliviar la presión

Para reducir el riesgo de lesiones personales o daños a la propiedad, siga siempre este procedimiento cuando deje de pulverizar, cuando termine el trabajo, y antes de revisar o reparar cualquier parte del sistema.

1. Trabe el seguro del gatillo.
2. Apague la unidad.
3. Cierre el suministro de agua.
4. Suelte el seguro del gatillo y presione el gatillo de la pistola para aliviar la presión.
5. Vuelva a trabar el seguro del gatillo.
6. Cuando revise o repare la unidad, retire de la bujía el cable de ignición.

7. Antes de guardar la unidad por la noche, o de almacenarla por largo tiempo, o para transportarla, desconecte el suministro de agua y cierre la válvula de suministro del combustible.

8. Apagado

1. Asegúrese de enjuagar todo el detergente del sistema.
2. Apague el motor (OFF).
3. Cierre el suministro de agua (OFF).
4. Después de apagar el motor y cerrar el suministro de agua, apriete el gatillo para aliviar la presión del sistema.

AVISO

NUNCA cierre el suministro de agua antes de haber apagado el motor. La bomba y/o el motor pueden sufrir daños graves.

⚠ PRECAUCION

NUNCA desconecte la manguera de descarga de alta presión de la máquina mientras el sistema esté presurizado.

Para despresurizar, apague el motor, cierre el suministro de agua y apriete el gatillo 2 ó 3 veces.

5. Después de cada uso, limpie todas las superficies de la lavadora a presión con un paño limpio y húmedo.

9. Almacenaje

- No guarde la lavadora a presión al aire libre.
- No almacene la lavadora a presión donde puede estar sujeta a congelación a menos de que no haya sido debidamente condicionada para el invierno.

INSTRUCCIONES PARA EL ALMACENAMIENTO A LARGO PLAZO (MÁS DE 30 DÍAS)

1. Retire el detergente del tanque y haga funcionar la lavadora en modo normal hasta que el motor pare por falta de combustible. El modo de funcionamiento normal significa pulverizar agua de la pistola mientras el motor está funcionando.
Método alternativo – Añada un estabilizador de combustible a la gasolina en el tanque y haga funcionar el motor in modo normal por no menos de cinco minutos.
2. Apague el motor, cierre el suministro de agua y hale el gatillo para aliviar la presión en la manguera de alta presión.
3. Desconecte el suministro de agua y la manguera de alta presión de la bomba.
4. Deje que el motor se enfríe.
5. Desconecte el cable de la bujía y quite

Funcionamiento (continuación)

la bujía.

6. Vierta 1/2 oz. de aceite de motor en el orificio de la bujía.

⚠ ADVERTENCIA

Nunca hale del cordón de arranque después de haber quitado la bujía a menos de que haya cubierto el orificio de la bujía. La chispa puede encender el vapor del combustible.

7. Coloque un trapo sobre el orificio de la bujía y hale lentamente y varias veces del cordón de arranque para distribuir el aceite.

INSTRUCCIONES PARA LA PREPARACIÓN INVERNAL

1. Siga y complete las Instrucciones para el almacenamiento a largo plazo de arriba.
2. Desconecte el cable de la bujía.
3. Desconecte la manguera de alta presión de la bomba.

4. Inserte un tramo de manguera de alta presión de 30 a 35 cm (12 in. -14 in.) en el orificio de entrada de la bomba.
5. Coloque un embudo en el otro extremo de la manguera de jardín.

AVISO

Lea las instrucciones del fabricante para el manejo sin peligros del anticongelante RV.

6. Vierta aproximadamente 6 oz. de anticongelante RV en el embudo.
7. Hale del cordón de arranque varias veces hasta que el anticongelante RV salga del orificio de salida de la bomba.
8. Desconecte la manguera de alta presión de la pistola y drene la manguera. Sostenga la pistola y la lanza en posición vertical y hale el gatillo para drenar el agua.

SUGERENCIAS PARA EXTENDER LA VIDA ÚTIL DE SU LAVADORA A PRESIÓN

1. Nunca haga funcionar la unidad sin agua.
2. Su lavadora a presión no está diseñada para bombear agua caliente. Nunca la conecte a un suministro de agua caliente ya que reducirá en forma significativa la vida útil de la bomba.
3. Hacer funcionar la unidad por más de un minuto sin rociar el agua causa un recalentamiento de la bomba. Hacer funcionar la unidad sin rociar el agua puede dañar los componentes de la bomba.

Mantenimiento

Observe los intervalos regulares del mantenimiento para asegurar la máxima eficiencia y vida útil de la lavadora a presión. Refiérase al programa para el mantenimiento recomendado. Si hace funcionar la lavadora a presión en un ambiente muy polvoroso, haga los controles del mantenimiento con más frecuencia.

INSTRUCCIONES PARA EL CAMBIO DE ACEITE DEL MOTOR

⚠ PRECAUCION

Antes de inclinar el motor o el aparato para drenar el aceite, drene el combustible del tanque de combustible.

NOTA: : Cambie el aceite con el motor frío.

1. Desconecte de la bujía el cable de la bujía.
2. Localice y retire el tapón de drenaje de aceite del motor (vea la figura 15).

3. Drene el aceite viejo.
4. Vuelva a colocar el tapón de drenaje del aceite y ponga la unidad en posición derecha.
5. Vuelva a llenar la unidad con aceite nuevo del tipo y cantidad recomendados. Llene la unidad hasta el borde inferior del cuello de llenado del aceite.

INSTRUCCIONES PARA VERIFICAR/CAMBIAR EL ACEITE DE LA BOMBA

Por más detalles, refiérase por favor a la página de las Especificaciones de la bomba CAT proporcionadas con su Lavadora de Presión.

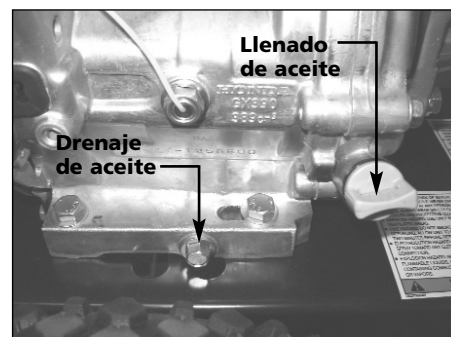


Figura 15 - Puntos de drenaje y llenado

Mantenimiento (continúa)

Programa de mantenimiento

Programa de mantenimiento	Acción necesaria
A diario	<ul style="list-style-type: none">• Verificar la rejilla y el filtro de la entrada de agua.• Verificar los niveles de aceite del motor. Llenar según sea necesario.• Verificar el nivel de gasolina. Llenar según sea necesario.
Después de las primeras 5 horas de funcionamiento	<ul style="list-style-type: none">• Cambiar el aceite de ablande del motor. Use aceite detergente 10W-30. Vea su manual de usuario Honda para la información específica
Cada 25 horas de funcionamiento	<ul style="list-style-type: none">• Cambiar el aceite si está funcionando con una carga pesada o a una temperatura ambiente elevada.• Limpiar o reemplazar el cartucho de papel del filtro de aire. Golpear suavemente para quitar la suciedad.
Cada 50 horas de funcionamiento	<ul style="list-style-type: none">• Cambiar el aceite• Reemplazar la bujía.
Cada 100 horas de funcionamiento o cada 3 meses	<ul style="list-style-type: none">• Reemplazar el cartucho de papel del filtro de aire.• Cambiar el aceite del motor.

Información técnica y para el consumidor

Lavadoras a presión horizontal	
Tipo de aceite para el motor	SAE 10W-30
Capacidad del aceite para el motor	
Honda GX160	0,59 L (20 fl. oz.)
Honda GX270	1,0 L (37 fl. oz.)
Honda GX390	1,0 L (37 fl. oz.)
Capacidad de combustible del motor	
Honda GX160	3,1 L (0,82 gal)
Honda GX270	5,3 L (1,4 gal)
Honda GX390	6,1 L (1,61 gal)
Tipo de aceite para la bomba	Aceite para bomba CAT
Capacidad de aceite de la bomba	
Bombas CAT	
3DNX25	251 ml (8.5 fl. oz.)
3SPX30	300 ml (10.15 fl. oz.)
66DX35	532 ml (18 fl. oz.)
Succión de detergente de la bomba	
Relación agua/detergente	10 a 1 (10% de detergente)
Requisitos del suministro de agua	
Presión mínima en entrada	1,38 bar
Presión máxima en entrada	6,90 bar
Temperatura máxima en entrada	37°C (100°F)
Caudal mínimo en entrada	19 L/min (5 gpm)
Tamaño de la manguera de jardín en entrada	(D.I. 16 mm - 5/8 in.)
Largo máximo de la manguera de jardín en entrada	15 m (50 pies)

Registro de servicio

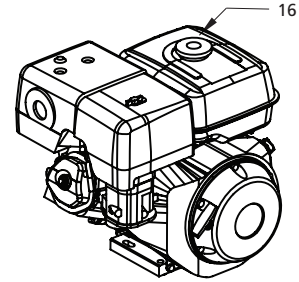
Fecha	Mantenimiento realizado	Repuestos requeridos

Lista de Repuestos

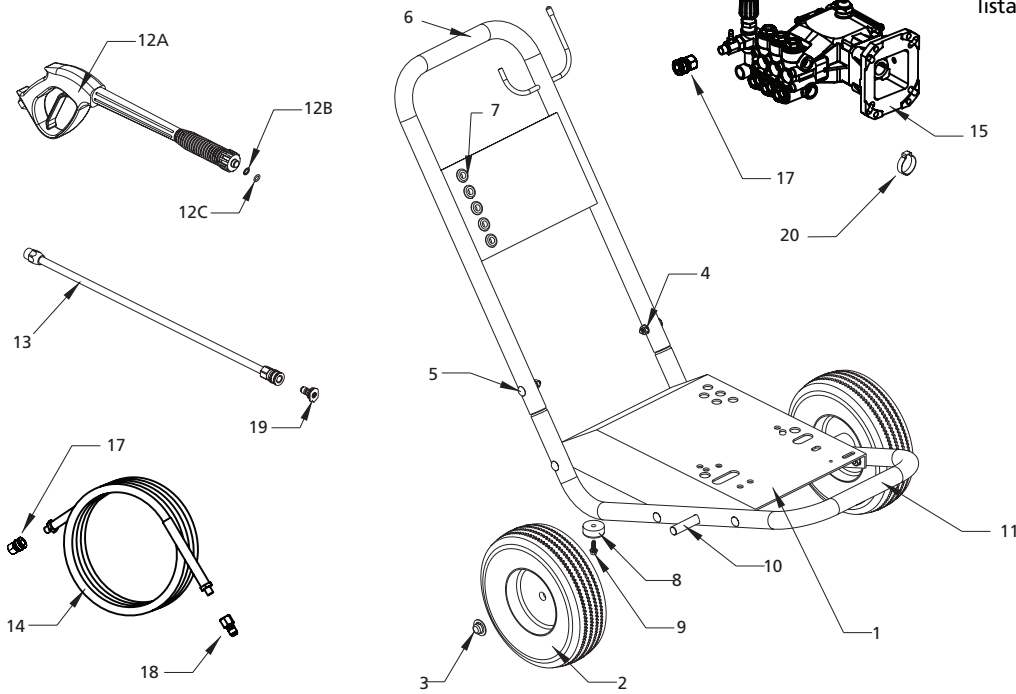
**Para Ordenar Repuestos o Asistencia Técnica,
Llame al Teléfono 1-800-330-0712**

Sírvase proporcionar la siguiente información:
 - Número de modelo
 - Número de Serie (de haberlo)
 - Descripción y número del repuesto según la lista de repuestos

Dirija toda la correspondencia a:
 Attn: Customer Service
 100 Production Drive
 Harrison, OH 45030 U.S.A.



¡Disponible ahora el
**MANUAL DE
 REPARACIONES**
 de la lavadora a presión!
 Llame al 1-800-330-0712



Lista de Repuestos

Ref. N°	Descripción	Número de pieza			Ctd.
		PW2770	PW3270	PW4070	
1	Placa base	PM237600SJ	PM237600SJ	PM237600SJ	1
2	Rueda neumática	WA005620AV	WA005620AV	WA005620AV	2
3	Tuerca de presión	AL066300AV	AL066300AV	AL066300AV	2
4	Tuerca, 7,9 mm (5/16") - 18	PM031100AV	PM031100AV	PM031100AV	8
5	Perno redondo de cuello cuadrado de 7,9 mm (5/16") - 18	MJ101206AV	MJ101206AV	MJ101206AV	8
6	Mango	PM344845AJ	PM344845AJ	PM344845AJ	1
7	Ojal de boquilla de conexión rápida	MJ110200AV	MJ110200AV	MJ110200AV	5
8	Parachoques de caucho	AL062300AV	AL062300AV	AL062300AV	2
9	Tornillo autorroscante 6,4 mm (1/4") - 20 x 19,1 mm (3/4")	MJ102100AV	MJ102100AV	MJ102100AV	2
10	Eje	PM090010AV	PM090010AV	PM090010AV	1
11	Marco	PM343705AV	PM343705AV	PM343705AV	1
12a	Pistola	PM343705AV	PM343705AV	PM343705AV	1
12b	Anillo-O de pistola	PM345402SV	PM345402SV	PM345402SV	2
12c	Anillo-O de respaldo para pistola	PM232211SV	PM232211SV	PM232211SV	1
13	Lanza	PM035120AV	PM035120AV	PM035120AV	1
14	Manguera de alta presión	PM005010AV	PM005012AV	PM005012AV	1
15	Ensamble de la bomba	PM347000SJ	PM347100SJ	PM347200SJ	1
16	Motor	Ver la nota abajo	Ver la nota abajo	Ver la nota abajo	1
17	Casquillo - Conexión rápida	PM068070AV	PM068070AV	PM068070AV	2
18	Tapón - Conexión rápida	PM068066AV	PM068066AV		1
19	Boquillas de conexión rápida				
	0 (rojo)	PM039870AV	PM039700AV	PM039700AV	1
	15 (amarillo)	PM039880AV	PM039710AV	PM039710AV	1
	25 (verde)	PM039890AV	PM039720AV	PM039720AV	1
	40 (blanco)	PM039900AV	PM039730AV	PM039730AV	1
	Detergente (negro)	PM039820AV	PM039820AV	PM039820AV	1
20	Abrazadera de manguera de 2,54 cm (1")	▲	▲	▲	1

▲ Standard hardware item

Nota: Para mantenimiento del motor o repuestos, llame a Honda al 1-800-426-7701

Tabla de solución de problemas – Sólo para lavadoras a presión a gasolina

Síntoma	Causa(s) posible(s)	Acción(es) a tomar
El motor no arranca o arranca con dificultad	<ol style="list-style-type: none"> No hay gasolina en el tanque de combustible o en el carburador Bajo nivel de aceite Interruptor de arranque/apagado (Start/Stop) en posición de apagado Agua en la gasolina o combustible viejo Filtro de aire sucio Bujía sucia, luz de electrodos equivocada, o tipo equivocado Pistola de pulverización cerrada Otras causas 	<ol style="list-style-type: none"> Llene el tanque de gasolina, abra la válvula de cierre del combustible. Revise la tubería del combustible y el carburador Verifique el nivel de aceite. Llene si fuese necesario Mueva el interruptor a la posición de arranque (start) Drene el tanque de combustible y el carburador. Use combustible nuevo y una bujía seca Quite y limpie o reemplace Limpie, ajuste la luz, o reemplace Hale el gatillo de la pistola Consulte el manual del propietario del motor.
El motor pierde o no tiene fuerza	<ol style="list-style-type: none"> Filtro de aire parcialmente atorado Bujía sucia, luz de electrodos equivocada o tipo equivocado 	<ol style="list-style-type: none"> Quite y limpie o reemplace Limpie, ajuste la luz o reemplace
La baja presión o la bomba funcionan con dificultad	<ol style="list-style-type: none"> Boquilla desgastada o del tipo equivocado Filtro de entrada de la bomba atorado Sellos de agua gastados, abrasivos en el agua, o desgaste natural Válvulas de entrada o de descarga bloqueadas o sucias Capacidad insuficiente en entrada Válvulas de entrada o de descarga gastadas Pérdida en la manguera de alta presión La bomba succiona aire Asiento de la válvula del descargador dañado o gastado 	<ol style="list-style-type: none"> Reemplace con una boquilla del tamaño adecuado Límpielo. Verifique con más frecuencia Verifique el filtro. Reemplace los sellos de agua. Consulte al centro de servicio Limpie el conjunto de la válvula de entrada y de descarga. Verifique el filtro Verifique la manguera de jardín, puede estar aplastada o tener un codo. Verifique el caudal de agua en entrada Reemplace las válvulas desgastadas Reemplace la manguera de alta presión Asegúrese de que las mangueras y los empalmes no tengan pérdidas Verifique y reemplace
Pérdida de agua debajo del colector de la bomba	Sellos de agua gastados	Instale nuevos sellos de agua. Consulte al centro de servicio
Agua en el cárter de la bomba (aceite lechoso)	<ol style="list-style-type: none"> Condensación de humedad del aire dentro de la caja del cigüeñal Pérdida de los sellos de aceite 	<ol style="list-style-type: none"> Cambie el aceite como se indica en el programa de mantenimiento Instale nuevos sellos de aceite. Consulte al centro de servicio
Falla frecuente o anticipada de los sellos de la bomba	<ol style="list-style-type: none"> Émbolos rayados, dañados o gastados Material abrasivo en el fluido Temperatura del agua en entrada demasiado elevada Exceso de presión en la bomba Exceso de presión debido a boquilla parcialmente atorada o dañada La bomba ha trabajado demasiado tiempo sin rociar La bomba ha trabajado en seco 	<ol style="list-style-type: none"> Instale nuevos émbolos. Consulte al centro de servicio Instale un sistema de filtración apropiado en la tubería de entrada Verifique la temperatura del agua; no debe exceder los 100°F (38°C). No altere ningún ajuste de fábrica. Limpie o reemplace la boquilla. No haga funcionar nunca la bomba por más de 2 minutos sin rociar agua No haga funcionar la bomba en seco
Sobrepresión en entrada y baja presión	Partículas extrañas en la válvula de entrada o de descarga, o válvulas de entrada o de descarga desgastadas	Limpie o reemplace las válvulas. Consulte al centro de servicio

Tabla de solución de problemas – Sólo para lavadoras a presión a gasolina (continuación)

Síntoma	Causa(s) posible(s)	Acción(es) a tomar
Pérdida de aceite entre el motor y la bomba	Sellos o anillo-O del aceite gastados	Reemplace los sellos de aceite o los anillos-O. Consulte al centro de servicio
Presión fluctuante	<ol style="list-style-type: none"> 1. Las válvulas están sucias, gastadas o trabadas 2. La bomba succiona aire 3. Boquilla atorada 	<ol style="list-style-type: none"> 1. Verifique y reemplace 2. Asegúrese de que las mangueras y los empalmes no tengan pérdidas. Purgue el aire de la manguera de jardín 3. Verifique o reemplace
La presión disminuye después de un período de uso normal	<ol style="list-style-type: none"> 1. Sellos de la bomba de agua gastados 2. Boquilla gastada 3. La válvula está sucia, gastada o trabada 4. Asiento de la válvula del descargador gastado o sucio 5. Boquilla en posición de baja presión bar 	<ol style="list-style-type: none"> 1. Verifique y reemplace 2. Verifique y reemplace 3. Verifique, limpie o reemplace 4. Verifique, limpie o reemplace 5. Hale hacia atrás la boquilla a la posición de alta presión
La bomba hace ruido / funciona con dificultad	<ol style="list-style-type: none"> 1. La bomba succiona aire/suministro de agua insuficiente 2. Las válvulas están obstruidas o gastadas 3. Rodamientos gastados 4. El agua es demasiado caliente 	<ol style="list-style-type: none"> 1. Asegúrese de que los empalmes estén bien ajustados. Aumente la presión de agua 2. Verifique, limpie o reemplace 3. Verifique y reemplace 4. Reduzca la temperatura por debajo de 100°F (38°C)
La lavadora a presión no pulveriza detergente	<ol style="list-style-type: none"> 1. No se está usando la boquilla para jabón 2. Hay una obstrucción, pliegue o perforación en la manguera de succión de detergente 3. La manguera es demasiado larga 4. La lanza no está funcionando adecuadamente 	<ol style="list-style-type: none"> 1. Instale una boquilla para jabón de 65 grados (negra) 2. Si está limpia, elimine los pliegues o cambie la manguera. 3. Utilice únicamente el largo de manguera que se proporcionó con la compra inicial de la lavadora a presión. La succión del detergente no funciona si se conecta más de una sección de manguera a la unidad. 4. Quite la lanza de la pistola. Si se pasa detergente a través de la pistola, la lanza se debe reemplazar. Si no pasa detergente a través de la pistola, quite el conector de detergente ahusado de 2,54 cm (1 in.) de la bomba. Limpie el conector, y asegúrese de que la bola y el resorte estén alineados adecuadamente con la porción ahusada del resorte que está frente a la bola. La bola debe estar encima del resorte.

Garantía Limitada

1. Duracion: De la fecha de compra por el comprador original y de acuerdo a las siguientes clasificaciones: Normas (Standard Duty) – Tres Años
2. QUIEN OTORGA DA ÉSTA GARANTÍA (EL GARANTE): Campbell Hausfeld / Scott Fetzer Company, 100 Production Drive, Harrison, OH 45030, Teléfono: 1-800-330-0712
3. QUIEN RECIBE ÉSTA GARANTÍA (EL COMPRADOR): El comprador original (que no sea revendedor) de la Lavadora de Presión Campbell Hausfeld.
4. PRODUCTOS CUBIERTOS POR ESTA GARANTÍA: Cualquier Lavadora de Presión Campbell Hausfeld fabricada o distribuida por el garante.
5. LO QUÉ ÉSTA CUBIERTO POR ESTA GARANTÍA: Los defectos de material y/o de manufactura que ocurran dentro del periodo de garantía con las excepciones anotadas abajo.
6. LO QUÉ NO ÉSTA CUBIERTO POR ESTA GARANTÍA:
 - A. Las garantías implícitas, incluyendo las garantías de comercialización y ADECUACIÓN PARA UN FIN PARTICULAR, SON LIMITADAS A PARTIR DE LA FECHA DE COMPRA COMO SE INDICA EN EL PARRAFO DURACIÓN. En algunos estados no se permiten limitaciones a la duración de las garantías, en tal caso esta limitacion no es aplicable.
 - B. CUALQUIER PERDIDA, DANO INCIDENTAL INDIRECTO O CONSECUENTE QUE PUEDE RESULTAR DE UN DEFECTO, FALLA, O MALFUNCIONAMIENTO DE LA LAVADORA DE PRESIÓN CAMPBELL HAUSFELD. En algunos estados no se permiten la exclusión o limitación de daños incidentales o consecuentes y en tal caso esta limitacion o exclusión no es aplicable.
 - C. Cualquier falla que resulte por daños en la transportación, accidente, abuso, negligencia o incumplimiento de las instrucciones de funcionamiento e instalacion indicadas en el manual suministrado con el producto.
 - D. El servicio al producto antes de la venta. Ejemplo ensamblaje, aceites o lubricantes, ajustes, etc.
 - E. Partes o ajustes requeridos normalmente en el mantenimiento de la lavadora de presión.
 - F. El motor de gasolina y sus componentes están expresamente excluidos de ésta garantía limitada. Estos componentes deben de ser devueltos por el comprador al fabricante original o a su taller de reparación autorizado.
 - G. Partes adicionales no cubiertos en ésta garantía:
 1. Desgaste normal en partes tales como mangueras de alta presión, sellos de agua o aceite, anillos, válvulas y boquillas de spray.
 2. Escobillas del motor (modelos eléctricos solamente).
 3. Defectos externos que no interfieren con su funcionamiento.
 4. Componentes oxidados.
 5. Desgaste de la bomba o daño de la válvula causado por uso de aceite inapropiado, contaminación del aceite o por no seguir adecuadamente las recomendaciones de mantenimiento.
7. RESPONSABILIDADES DEL GARANTE BAJO ÉSTA GARANTÍA: Repare o reemplazar, como lo decida el garante, ya sea la lavadora de presión o alguna de sus partes que se encuentre defectuoso, no funcione adecuadamente y/o no cumpla de conformidad dentro del periodo de duración de la garantía.
8. RESPONSABILIDADES DEL COMPRADOR BAJO ESTA GARANTÍA:
 - A. Proporcionar prueba de la fecha de compra y registros de mantenimiento.
 - B. Entregar o enviar la lavadora de presión o su componente al centro de servicio autorizado Campbell Hausfeld más cercano. Los costos de embarque, si son aplicables, serán pagados por el comprador.
 - C. Ser cuidadoso con el funcionamiento y mantenimiento de la lavadora de presión de acuerdo al manual(s) del propietario.
9. CUANDO EFECTUARA EL GARANTE LA REPARACION O REEMPLAZO CUBIERTO POR ESTA GARANTÍA: La reparación o reemplazo del equipo tomara el tiempo normal y de acuerdo a la carga de trabajo en ese momento el el centro de servicio y de acuerdo a la disponibilidad de refacciones.

Esta garantía limitada es válida sólo en los EE.UU., Canadá y México y otorga derechos legales específicos. También usted podría tener otros derechos los cuales varían de estado a estado o de país a país.