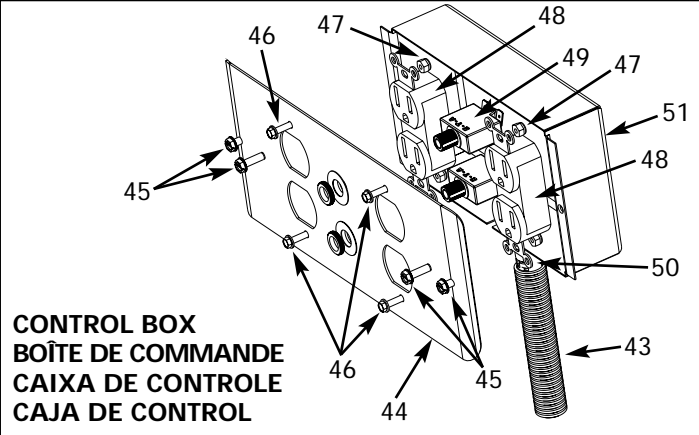
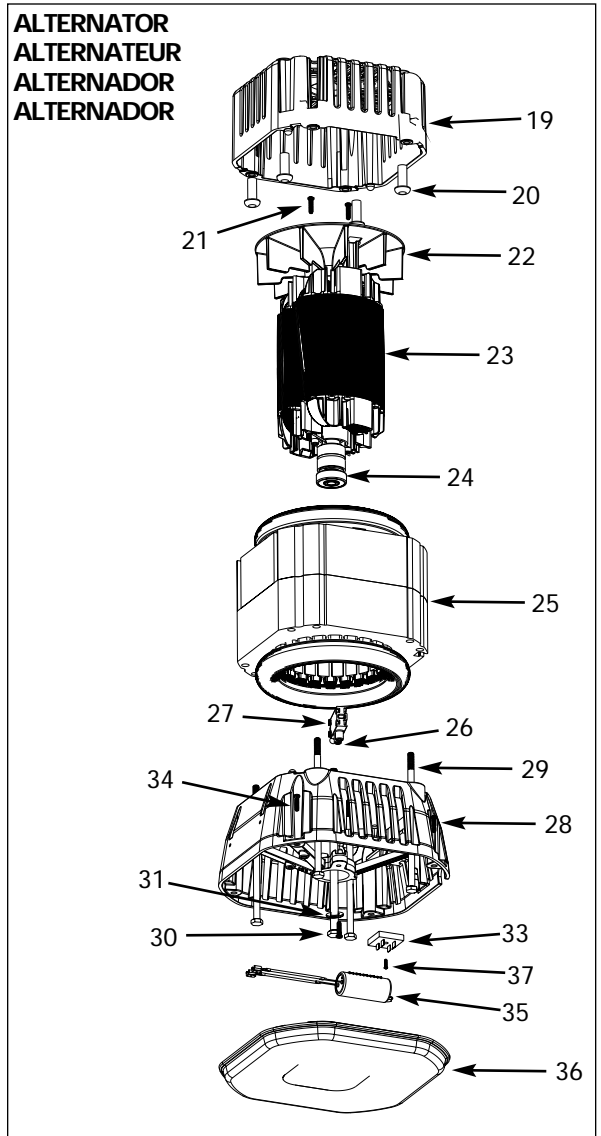
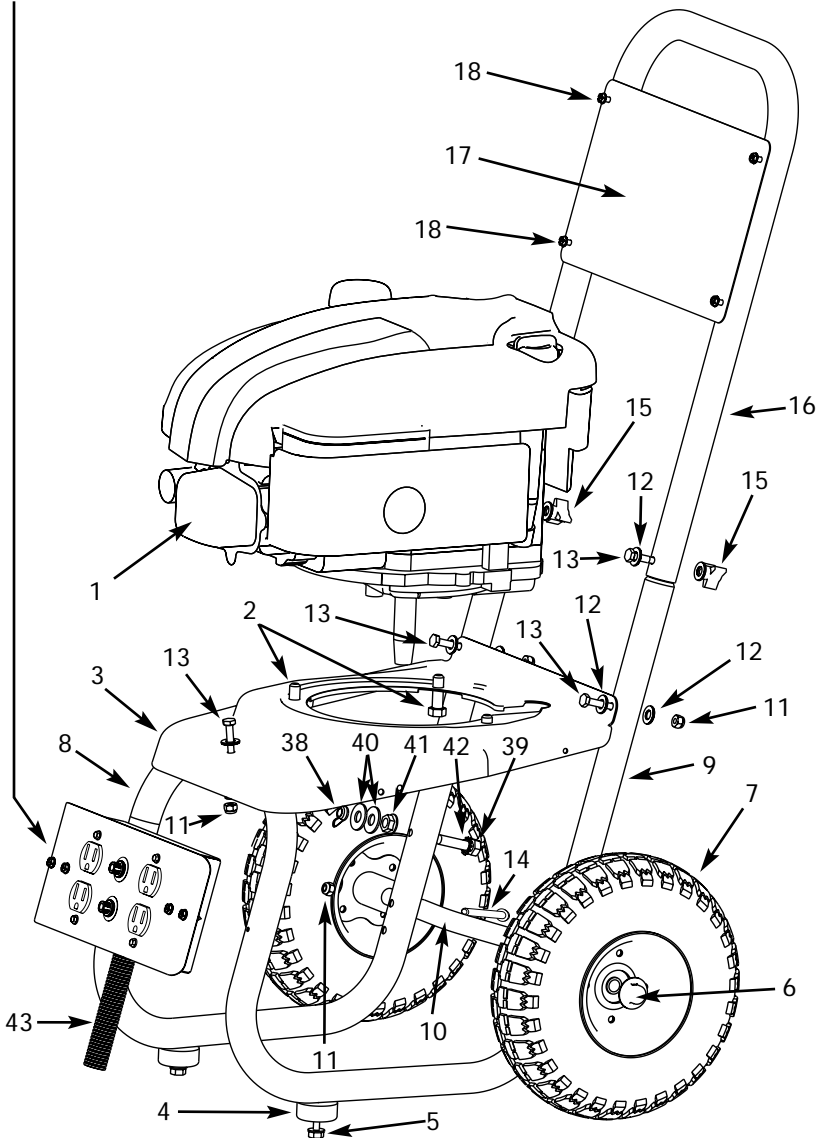




Generators • Génératrices
 Geradores • Generadores



CONTROL BOX
 BOÎTE DE COMMANDE
 CAIXA DE CONTROL
 CAJA DE CONTROL



ALTERNATOR
 ALTERNATEUR
 ALTERNADOR
 ALTERNADOR

For Replacement Parts, Call 1-800-803-1436

Please provide following information:

- Model number
- Serial number (if any)
- Part description and number as shown in parts list

Address parts correspondence to:

The Campbell Group / Attn: Parts Department
100 Production Drive
Harrison, OH 45030 U.S.A.

Replacement Parts List

Ref.	Description	GN356402AC	GN356502AC	Qty.
1	Gasoline engine	NG002950AV	NG002950AV	1
2	3/8" -16 x 1-1/4" Self-tapping screw	MJ101301AV	MJ101301AV	3
3	Baseplate	GN004530AV	GN004530AV	1
4	Vibration isolator foot	AL062300AV	AL062300AV	2
5	1/4" -20 Self-tapping screw	MJ102100AV	MJ102100AV	2
6	Pal nut	AL066300AV	AL066300AV	2
7	Wheel	WA004900AV	WA004900AV	2
8	Left frame support leg	GN004035AV	GN004035AV	1
9	Right frame support leg	GN004036AV	GN004036AV	1
10	Vertical cart axle	GN005506AV	GN005506AV	1
11	1/4" -20 Nyloc hex nut	*	*	5
12	1/4" Flatwasher	*	*	13
13	1/4" -20 x 1-1/2" Hex bolt	*	*	5
14	1/4" -20 x 2" Hex bolt	*	*	2
15	1/4" -20 Thumb nut	GN000600AV	GN000600AV	2
16	Vertical cart handle	GN004037AV	GN004037AV	1
17	Vertical handle placard	GN004024AV	GN004024AV	1
18	3/16" Rivet	*	*	4
19	Engine adapter	GN006440AG	GN006440AG	1
20	5/16" -24 x 3/4" Hex bolt	*	*	4
21	8-18 x 5/8" Screw	*	*	7
22	Rotor fan	GN006430AV	GN006430AV	1
23	Rotor assembly	GN006701SJ	GN006701SJ	1
24	Rotor bearing	GN007200AV	GN007200AV	1
25	Stator assembly	GN006501SJ	GN006501SJ	1
26	Brush kit	GN006630SJ	GN006630SJ	1
27	Brush holder	GN006620AV	GN006620AV	1
28	Bearing endbell	GN006460AG	GN006460AG	1
29	1/4" -20 x 4-1/4" Hex stator bolt	GN006601AV	GN006601AV	4
30	5/16" - 24 x 7" Hex rotor bolt	GN006451AV	GN006451AV	1
31	5/16" Flatwasher	*	*	1
32	Brushes wiring kit (not shown)	GN003892SJ	GN003892SJ	1
33	200V 8A Rectifier	GN006650AV	GN006650AV	1
34	#8 Hi-Lo screw	HP007110AV	HP007110AV	4
35	200uF Capacitor assembly	GN006640AJ	GN006640AJ	1
36	End cover	GN006482AV	GN006482AV	1
37	#10 Self-tapping type "F" screw	HP007117AV	HP007117AV	2
38	5/16" -18 Wing nut	*	*	1
39	5/16" -18 x 2" tap bolt screw	*	*	1
40	5/16" Flat washer	*	*	2
41	5/16" -18 Serrated flange nut	*	*	1
42	5/16" External tooth washer	*	*	1
43	Loom tubing	GN005302AV	GN005302AV	1
44	Electrical power panel	GN005622AV	GN005622AV	1
45	#10 Self-tapping type "AB" screw	MJ100304AV	MJ100304AV	4
46	#8-32 Hex screw	*	*	4
47	#8-32 Nyloc nut	*	*	4
48	120V, 15A Duplex receptacle	GN003400AV	GN003400AV	2
49	Circuit breaker	GN003603AV	GN003601AV	2
50	Snap-in connector	GN003301AV	GN003301AV	1
51	Electrical panel back cover	GN005806AV	GN005806AV	1
52	Electrical wiring harness (not shown)	GN005714AJ	GN005714AJ	1

* Standard hardware item, available locally

Pour Pièces de Rechange, Appeler 1-800-803-1436

S'il vous plaît fournir l'information suivante:

- Numéro du modèle
- Numéro de série (si applicable)
- Description de la pièce et son numéro sur la liste de pièces

Correspondance concernant les pièces:

The Campbell Group / Attn: Parts Department
 100 Production Drive
 Harrison, OH 45030 U.S.A.

Liste de Pièces de Rechange

N° Réf.	Description	GN356402AC	GN356502AC	Qté.
1	Moteur à essence	NG002950AV	NG002950AV	1
2	Vis à tôle, 3/8 po-16 x 1-1/4 po	MJ101301AV	MJ101301AV	3
3	Plaque de base	GN004530AV	GN004530AV	1
4	Pied d'isolation de vibration	AL062300AV	AL062300AV	2
5	Vis à tôle, 1/4 po-20	MJ102100AV	MJ102100AV	2
6	Écrou	AL066300AV	AL066300AV	2
7	Roue	WA004900AV	WA004900AV	2
8	Jambe de support de bâti gauche	GN004035AV	GN004035AV	1
9	Jambe de support de bâti droit	GN004036AV	GN004036AV	1
10	Arbre de chariot vertical	GN005506AV	GN005506AV	1
11	Écrou hexagonal Nyloc 1/4 po-20	*	*	5
12	Rondelle plate, 1/4 po	*	*	13
13	Boulon hexagonal, 1/4 po-20 x 1-1/2 po	*	*	5
14	Boulon hexagonal, 1/4 po-20 x 2 po	*	*	2
15	Écrou à oreilles, 1/4 po-20	GN000600AV	GN000600AV	2
16	Manche de chariot vertical	GN004037AV	GN004037AV	1
17	Écriteau de manche vertical	GN004024AV	GN004024AV	1
18	Rivet de 3/16 po	*	*	4
19	Montage de moteur	GN006440AG	GN006440AG	1
20	Boulon hexagonal, 5/16 po-24 x 3/4 po	*	*	4
21	Vis, 8-18 x 5/8 po	*	*	7
22	Ventilateur de rotor	GN006430AV	GN006430AV	1
23	Rotor équipé	GN006701SJ	GN006701SJ	1
24	Roulement de rotor	GN007200AV	GN007200AV	1
25	Stator équipé	GN006501SJ	GN006501SJ	1
26	Nécessaire de balais	GN006630SJ	GN006630SJ	1
27	Porte-balais	GN006620AV	GN006620AV	1
28	Embout de roulement	GN006460AG	GN006460AG	1
29	Boulon hexagonal de stator, 1/4 po-20 x 4-1/4 po	GN006601AV	GN006601AV	4
30	Boulon hexagonal de rotor, 5/16 po - 24 x 7 po	GN006451AV	GN006451AV	1
31	Rondelle plate de 5/16 po	*	*	1
32	Jeu d'installation de fils de balais (pas indiqué)	GN003892SJ	GN003892SJ	1
33	Redresseur, 200V 8A	GN006650AV	GN006650AV	1
34	Vis hi-low #8	HP007110AV	HP007110AV	4
35	Condensateur équipé, 200uF	GN006640AJ	GN006640AJ	1
36	Couvercle d'extrémité	GN006482AV	GN006482AV	1
37	Vis à tôle type "F" #10	HP007117AV	HP007117AV	2
38	Écrou à oreilles, 5/16 po-18	*	*	1
39	Vis taraud de boulonnage, 5/16 po-18 x 2 po	*	*	1
40	Rondelle plate de 5/16 po	*	*	2
41	Écrou à collerette cannelé, 5/16 po-18	*	*	1
42	Rondelle à dents extérieures de 5/16 po	*	*	1
43	Tuyauterie tissée	GN005302AV	GN005302AV	1
44	Tableau de commande électrique	GN005622AV	GN005622AV	1
45	Vis à tôle type "AB" #10	MJ100304AV	MJ100304AV	4
46	Vis hexagonale #8-32	*	*	4
47	Écrou Nyloc #8-32	*	*	4
48	Prise de courant double 120V, 15A	GN003400AV	GN003400AV	2
49	Disjoncteur	GN003603AV	GN003601AV	2
50	Raccord à enclenchement	GN003301AV	GN003301AV	1
51	Couvercle arrière de panneau de commande électrique	GN005806AV	GN005806AV	1
52	Harnais de canalisation électrique (pas indiqué)	GN005714AJ	GN005714AJ	1

* Objet de quincaillerie ordinaire, disponible sur place

Para Peças de Reposição, ligue para seu revendedor

Favor fornecer as seguintes informações:

- Número do modelo
- Número de série (caso haja algum)
- Descrição da peça e número conforme mostrado na lista de peças

Envie correspondência sobre peças para:

The Campbell Group / Attn: Parts Department
100 Production Drive
Harrison, OH 45030 U.S.A.

Lista de Peças de Reposição

Ref. No.	Descrição	GN356402AC	GN356502AC	Qua.
1	Motor a gasolina	NG002950AV	NG002950AV	1
2	Parafuso auto-roscante de 3/8 pol. - 16 x 1-1/4 pol.	MJ101301AV	MJ101301AV	3
3	Placa de base	GN004530AV	GN004530AV	1
4	Base isoladora de vibração	AL062300AV	AL062300AV	2
5	Parafuso auto-roscante de 1/4 pol. - 20	MJ102100AV	MJ102100AV	2
6	Porca de chapa estampada	AL066300AV	AL066300AV	2
7	Roda	WA004900AV	WA004900AV	2
8	Pé de apoio da armação esquerda	GN004035AV	GN004035AV	1
9	Pé de apoio da armação direita	GN004036AV	GN004036AV	1
10	Eixo vertical da carreta	GN005506AV	GN005506AV	1
11	Porca sextavada autoblocante Nyloc de 1/4 pol. - 20	*	*	5
12	Arruela chata de 1/4 pol.	*	*	13
13	Parafuso sextavado de 1/4 pol. - 20 x 1-1/2 pol.	*	*	5
14	Parafuso sextavado de 1/4 pol. - 20 x 2 pol.	*	*	2
15	Porca borboleta de 1/4 pol. - 20	GN000600AV	GN000600AV	2
16	Alça vertical da carreta	GN004037AV	GN004037AV	1
17	Chapa da alça vertical	GN004024AV	GN004024AV	1
18	Rebite de 3/16 pol.	*	*	4
19	Adaptador do motor	GN006440AG	GN006440AG	1
20	Parafuso sextavado de 5/16 pol.-24 x 3/4 pol.	*	*	4
21	Parafuso 8-18 x 5/8 pol.	*	*	7
22	Ventilador do rotor	GN006430AV	GN006430AV	1
23	Conjunto do rotor	GN006701SJ	GN006701SJ	1
24	Mancal do rotor	GN007200AV	GN007200AV	1
25	Conjunto do estator	GN006501SJ	GN006501SJ	1
26	Kit da coroa	GN006630SJ	GN006630SJ	1
27	Porta-coroa	GN006620AV	GN006620AV	1
28	Terminal do cabo do mancal	GN006460AG	GN006460AG	1
29	Parafuso do estator sextavado de 1/4 pol. - 20 x 4-1/4 pol.	GN006601AV	GN006601AV	4
30	Parafuso do rotor sextavado de 5/16 pol. - 24 x 7 pol.	GN006451AV	GN006451AV	1
31	Arruela chata de 5/16 pol.	*	*	1
32	Kit de fiação da coroa (não mostrado)	GN003892SJ	GN003892SJ	1
33	Retificador de 200V 8A	GN006650AV	GN006650AV	1
34	Parafuso Alto-baixo No. 8	HP007110AV	HP007110AV	4
35	Conjunto do capacitor 200uF	GN006640AJ	GN006640AJ	1
36	Tampa final	GN006482AV	GN006482AV	1
37	Parafuso tipo "F" auto-roscante No. 10	HP007117AV	HP007117AV	2
38	Porca borboleta de 5/16 pol. - 18	*	*	1
39	Parafuso de cavilha cônica de 5/16 pol. - 18 x 2 pol.	*	*	1
40	Arruela chata de 5/16 pol.	*	*	2
41	Porca de flange de 5/16 pol. - 18	*	*	1
42	Arruela dentada externa de 5/16 pol.	*	*	1
43	Tubo isolador	GN005302AV	GN005302AV	1
44	Painel de controle	GN005622AV	GN005622AV	1
45	Parafuso tipo "AB" auto-roscante No. 10	MJ100304AV	MJ100304AV	4
46	Parafuso sextavado No. 8-32	*	*	4
47	Porca autoblocante Nyloc No. 8-32	*	*	4
48	Receptáculo Duplex 15A de 120V	GN003400AV	GN003400AV	2
49	Disjuntor	GN003603AV	GN003601AV	2
50	Conector de encaixe	GN003301AV	GN003301AV	1
51	Tampa traseira do painel de controle	GN005806AV	GN005806AV	1
52	Cabos da fiação elétrica (não mostrados)	GN005714AJ	GN005714AJ	1

* Item de ferragens padrão, disponível em casas de ferragens

Para Ordenar Repuestos, Sírvase Llamar al Concesionario más Cercano a su Domicilio

Sírvase darnos la siguiente información:

- Número del modelo
- Número de Serie (de haberlo)
- Descripción y número del repuesto según la lista de repuestos

Puede escribirnos a:

The Campbell Group / Attn: Parts Department
 100 Production Drive
 Harrison, OH 45030 U.S.A.

Lista de Repuestos				
No. Ref	Descripción	GN356402AC	GN356502AC	Ctd.
1	Motor de gasolina	NG002950AV	NG002950AV	1
2	Tornillo autorroscante de 9,5 mm (3/8" -16) x 1-1/4"	MJ101301AV	MJ101301AV	3
3	Base	GN004530AV	GN004530AV	1
4	Pata, aislante de vibración	AL062300AV	AL062300AV	2
5	Tornillo autorroscante de 6,4mm (1/4" -20)	MJ102100AV	MJ102100AV	2
6	Tuerca	AL066300AV	AL066300AV	2
7	Rueda	WA004900AV	WA004900AV	2
8	Pata izquierda	GN004035AV	GN004035AV	1
9	Pata derecha	GN004036AV	GN004036AV	1
10	Eje vertical de la carretilla	GN005506AV	GN005506AV	1
11	Tuerca Hex. Nyloc de 6,4 mm (1/4" -20)	*	*	5
12	Arandela plana de 6,4mm (1/4")	*	*	13
13	Perno Hex. de 6,4mm (1/4" -20) x 3,81cm (1-1/2")	*	*	5
14	Perno Hex. de 6,4mm (1/4" -20) x 5,08cm (2")	*	*	2
15	Tuerca manual de 6,4mm (1/4" -20)	GN000600AV	GN000600AV	2
16	Mango vertical de la carretilla	GN004037AV	GN004037AV	1
17	Placa del mango vertical	GN004024AV	GN004024AV	1
18	Remache de 4,8mm (3/16")	*	*	4
19	Adaptador del motor	GN006440AG	GN006440AG	1
20	Perno Hex. de 7,9 mm (5/16" -24) x 19,1 mm (3/4")	*	*	4
21	Tornillo 8-18 x 15,9mm (5/8")	*	*	7
22	Ventilador del rotor	GN006430AV	GN006430AV	1
23	Ensamblaje del rotor	GN006701SJ	GN006701SJ	1
24	Cojinete del rotor	GN007200AV	GN007200AV	1
25	Ensamblaje del estator	GN006501SJ	GN006501SJ	1
26	Juego de escobillas	GN006630SJ	GN006630SJ	1
27	Porta-escobillas	GN006620AV	GN006620AV	1
28	Tapa de los cojinetes	GN006460AG	GN006460AG	1
29	Perno Hex. de 6,4mm (1/4" -20) x 10,8cm (4-1/4") (estator)	GN006601AV	GN006601AV	4
30	Perno Hex. de 7,9mm (5/16" - 24) x 17,78cm (7") (rotor)	GN006451AV	GN006451AV	1
31	Arandela plana de 7,9mm (5/16")	*	*	1
32	Juego de cordones (escobillas) (no se muestra)	GN003892SJ	GN003892SJ	1
33	Rectificador de 200V 8A	GN006650AV	GN006650AV	1
34	Tornillo Hi-Lo #8	HP007110AV	HP007110AV	4
35	Ensamblaje del capacitador de 200uF	GN006640AJ	GN006640AJ	1
36	Tapa	GN006482AV	GN006482AV	1
37	Tornillo autorroscante tipo "F" #10	HP007117AV	HP007117AV	2
38	Tuerca de aletas de 5/16" -18	*	*	1
39	Tornillo opresor de 7,9mm (5/16" -18) x 5,08cm (2")	*	*	1
40	Arandela plana de 7,9mm (5/16")	*	*	2
41	Tuerca de reborde adentado de 7,9mm (5/16" -18)	*	*	1
42	Arandela de dientes externos de 7,9mm (5/16")	*	*	1
43	Tubo flexible	GN005302AV	GN005302AV	1
44	Tablero eléctrico	GN005622AV	GN005622AV	1
45	Tornillo autorroscante tipo "AB" #10	MJ100304AV	MJ100304AV	4
46	Tornillo Hex. #8-32	*	*	4
47	Tuerca Nyloc #8-32	*	*	4
48	Tomacorrientes Duplex de 120V, 15A	GN003400AV	GN003400AV	2
49	Cortacircuito	GN003603AV	GN003601AV	2
50	Conector a presión	GN003301AV	GN003601AV	1
51	Tapa posterior del tablero eléctrico	GN005806AV	GN005806AV	1
52	Cables eléctricos (no se muestra)	GN005714AJ	GN005714AJ	1

* Artículo estándar disponible en cualquier ferretería

