

Vertical Air Compressors

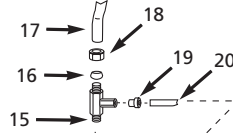
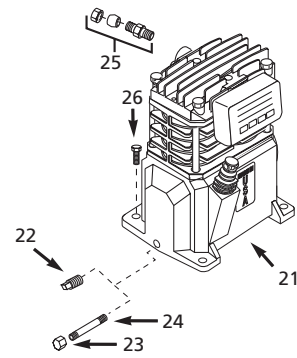
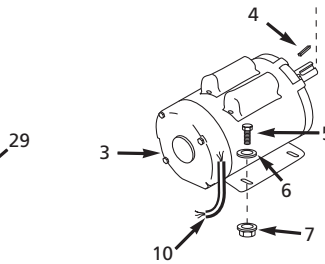
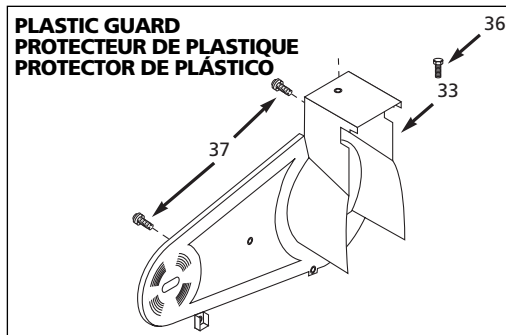
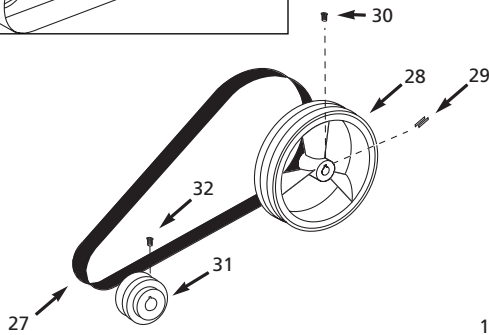
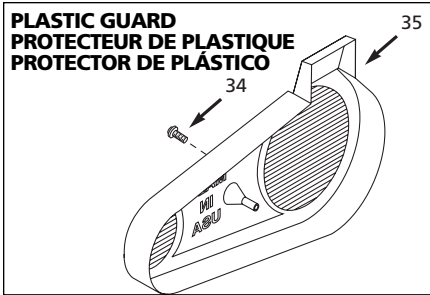
Compresseurs d'Air Verticaux

Compressores de Aire Verticals

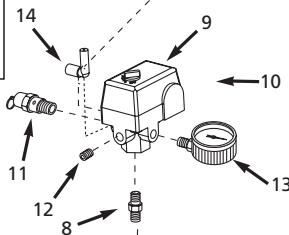
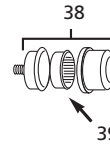
Replacement Parts List
 Liste de Pièces de Rechange
 Lista de Repuestos

VT619504, VT627505, EX840100, EX840500

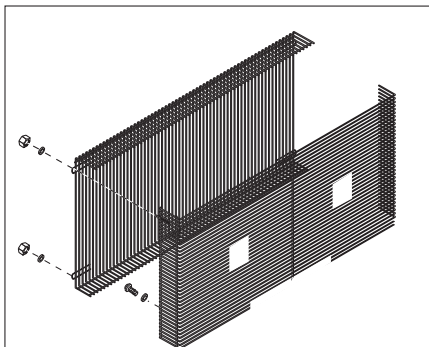
For parts, products & service information visit
POWER XPERT
 www.chpower.com



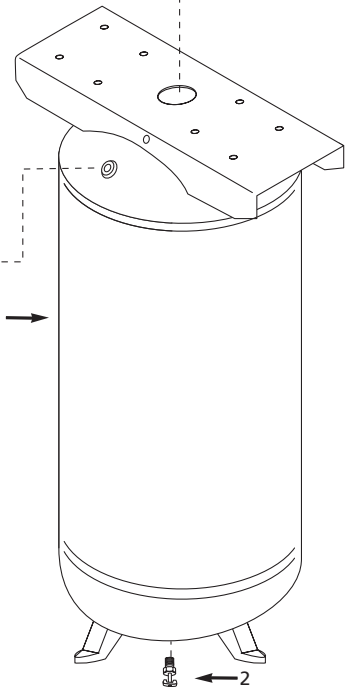
ALTERNATE FILTER
FILTRE DE REMPLACEMENT
FILTRO ALTERNANTE



46



1



Model No.: _____
Numéro du modèle: _____
Número del modelo: _____

Serial No.: _____
Numéro de Série: _____
Número de Serie: _____

Date of purchase: _____
Date d'achat: _____
Fecha de compra: _____

For Replacement Parts or Technical Service, Call 1-800-543-6400

Please provide following information:

- Model number
- Serial number (if any)
- Part description and number as shown in parts list

Address parts correspondence to:

Campbell Hausfeld / Attn: Customer Service
 100 Production Drive
 Harrison, OH 45030

Ref. No.	Description	Part Number for Models:			Qty.
		VT627505	EX840100 VT619504	EX840500	
1	Tank	AR060300CG	AR040000CG	AR040000CG	1
2	Drain cock	D-1403	D-1403	D-1403	1
3	Electric motor	MC015403SJ	MC015403SJ	MC015403SJ	1
4	Key	KE000903AV	KE000903AV	KE000903AV	1
5	Hex head screw	ST016000AV	ST016000AV	ST016000AV	4
6	Washer	ST011200AV	ST011200AV	ST011200AV	4
7	Locknut	ST146001AV	ST146001AV	ST146001AV	4
8	Nipple	HF002401AV	HF002401AV	ST070387AV	1
9	Pressure switch	CW209300AV	CW209300AV	CW209300AV	1
10	Motor cord	EC012800AV	EC012800AV	EC012800AV	1
11	ASME Safety valve	V-215105AV	V-215105AV	V-215105AV	1
12	Plug	ST022500AV	ST022500AV	ST022500AV	1
13	Gauge	GA031900AV	GA031900AV	—	1
14	Unloader valve	CW210001AV	CW210001AV	CW210001AV	1
15	Check valve	CV221502AJ	CV221502AJ	CV221502AJ	1
16	Ferrule	ST085200AV	ST085200AV	ST085200AV	1
17	Exhaust tube	VT046900AP	VT043300AP	VT043300AP	1
18	Compression nut	ST033001AV	ST033001AV	ST033001AV	1
19	Push-in fitting	ST081301AV	ST081301AV	ST081301AV	1
20	Unloader tube	ST117802AV	ST117802AV	ST117802AV	1
21	Pump	VT470000AV	VT470000KB	VT470000KB	1
22	Oil drain plug	ST022300AV	ST022300AV	ST022300AV	1
23	Oil drain cap	ST150100AV	ST150100AV	ST150100AV	1
24	Oil drain extension	ST083800AV	ST083800AV	ST083800AV	1
25	Compression assembly	ST018300AV	ST018300AV	ST018300AV	1
26	Self-tapping screw	ST016500AV	ST016500AV	ST016500AV	4
27	Belt	BT013000AV	BT020400AV	BT020400AV	1
28	Flywheel	PU015900AV	PU015900AV	PU015900AV	1
29	Key	KE000900AV	KE000900AV	KE000900AV	1
30	Setscrew	ST026200AV	ST026200AV	ST026200AV	1
31	Pulley	PU012600AV	PU012600AV	PU012600AV	1
32	Square hd set screw	ST012200AV	ST012200AV	ST012200AV	1
33	Plastic belt guard (back)	BG222300AV	BG217902AV	—	1
34	Plascrew	ST058502AV	ST058502AV	—	1
35	Plastic belt guard (front)	BG222200AV	BG217800AV	—	1
36	Self-tapping screw	ST073269AV	ST073269AV	—	1
37	Self-tapping screw	ST073277AV	ST073277AV	—	3
38	Alternate filter - 2 inch diameter	WL012000AV	WL012000AV	WL012000AV	1
	Alternate filter - 3 inch diameter	ST073915AV	ST073915AV	ST073915AV	1
	Alternate filter - 4 inch diameter	VH901700AV	ST073920AV	ST073920AV	1
39	Alternate filter element - 2 inch diameter	WL012300AV	WL012300AV	WL012300AV	1
	Alternate filter element - 3 inch diameter	ST073916AV	ST073916AV	ST073916AV	1
	Alternate filter element - 4 inch diameter	VH901800AV	ST073921AV	ST073921AV	1
40	▲ General warning decal set	DK747600AV	DK747600AV	DK747600AV	1
41	▲ Moving and mounting warning decal	DK364601AV	DK364601AV	DK364601AV	1
42	▲ Inspection port reducer 2 inch x 3/4 inch	PG201002AV	PG201002AV	PG201002AV	1
	▲ Inspection port reducer 2 inch x 1/4 inch	PG201004AV	PG201004AV	PG201004AV	1
43	▲ Strain relief screw	ST209800AV	ST209800AV	ST209800AV	1
44	▲ Strain relief	CW209700AV	CW209700AV	CW209700AV	1
45	▲ Inspection port o-ring	ST070190AV	ST070190AV	ST070190AV	2
46	Beltguard assembly	—	—	ZV007005SJ	1
▲	Not shown				

Pour les Pièces de Rechange ou l'assistance technique, appeler 1-800-543-6400

S'il vous plaît fournir l'information suivant:

- Numéro du modèle
- Numéro de série (s'il y en a un)
- Description de la pièce et son numéro sur la liste

Correspondance:

Campbell Hausfeld / Attn: Customer Service
 100 Production Drive
 Harrison, OH 45030 USA

N°. Ref.	Description	Numéro de Piece pour Modèles:			Qté.
		VT627505	EX840100 VT619504	EX840500	
1	Réservoir	AR060300CG	AR040000CG	AR040000CG	1
2	Robinet de vidange	D-1403	D-1403	D-1403	1
3	Moteur électrique	MC015403SJ	MC015403SJ	MC015403SJ	1
4	Clavette	KE000903AV	KE000903AV	KE000903AV	1
5	Vis à tête hexagonale	ST016000AV	ST016000AV	ST016000AV	4
6	Rondelle	ST011200AV	ST011200AV	ST011200AV	4
7	Écrou de serrage	ST146001AV	ST146001AV	ST146001AV	4
8	Raccord	HF002401AV	HF002401AV	ST070387AV	1
9	Manostat	CW209300AV	CW209300AV	CW209300AV	1
10	Cordon du moteur	EC012800AV	EC012800AV	EC012800AV	1
11	Soupape de sûreté ASME	V-215105AV	V-215105AV	V-215105AV	1
12	Bouchon	ST022500AV	ST022500AV	ST022500AV	1
13	Jauge	GA031900AV	GA031900AV	—	1
14	Soupape de déchargement	CW210001AV	CW210001AV	CW210001AV	1
15	Clapet	CV221502AJ	CV221502AJ	CV221502AJ	1
16	Virole	ST085200AV	ST085200AV	ST085200AV	1
17	Tuyau d'échappement	VT046900AP	VT043300AP	VT043300AP	1
18	Écrou de compression	ST033001AV	ST033001AV	ST033001AV	1
19	Raccord enfichable	ST081301AV	ST081301AV	ST081301AV	1
20	Tuyau de déchargement	ST117802AV	ST117802AV	ST117802AV	1
21	Pompe	VT470000AV	VT470000KB	VT470000KB	1
22	Bouchon de vidage d'huile	ST022300AV	ST022300AV	ST022300AV	1
23	Capuchon de vidange d'huile	ST150100AV	ST150100AV	ST150100AV	1
24	Rallonge de vidage d'huile	ST083800AV	ST083800AV	ST083800AV	1
25	Assemblage de compression	ST018300AV	ST018300AV	ST018300AV	1
26	Vis autoforeuse	ST016500AV	ST016500AV	ST016500AV	4
27	Courroie	BT013000AV	BT020400AV	BT020400AV	1
28	Volant	PU015900AV	PU015900AV	PU015900AV	1
29	Clavette	KE000900AV	KE000900AV	KE000900AV	1
30	Vis de pression	ST026200AV	ST026200AV	ST026200AV	1
31	Poulie	PU012600AV	PU012600AV	PU012600AV	1
32	Vis de pression a tête carré	ST012200AV	ST012200AV	ST012200AV	1
33	Protège-courroie de plastique (arrière)	BG222300AV	BG217902AV	—	1
34	Vis	ST058502AV	ST058502AV	—	1
35	Protège-courroie de plastique (avant)	BG222200AV	BG217800AV	—	1
36	Vis autoforeuse	ST073269AV	ST073269AV	—	1
37	Vis autoforeuse	ST073277AV	ST073277AV	—	3
38	Filtre de remplacement - diamètre de 2 po	WL012000AV	WL012000AV	WL012000AV	1
	Filtre de remplacement - diamètre de 3 po	ST073915AV	ST073915AV	ST073915AV	1
	Filtre de remplacement - diamètre de 4 po	VH901700AV	ST073920AV	ST073920AV	1
39	Élément du filtre de remplacement - diamètre de 2 po	WL012300AV	WL012300AV	WL012300AV	1
	Élément du filtre de remplacement - diamètre de 3 po	ST073916AV	ST073916AV	ST073916AV	1
	Élément du filtre de remplacement - diamètre de 4 po	VH901800AV	ST073921AV	ST073921AV	1
40	▲ Ensemble de décalcomanies d'avertissement générales	DK747600AV	DK747600AV	DK747600AV	1
41	▲ Decalcomanie d'avertissement de deplacement et de montage	DK364601AV	DK364601AV	DK364601AV	1
42	▲ Raccord de reduction de porte inspection 2 po x 3/4 po	PG201002AV	PG201002AV	PG201002AV	1
	▲ Raccord de reduction de porte inspection 2 po x 1/4 po	PG201004AV	PG201004AV	PG201004AV	1
43	▲ Vis de soulagement de fatigue	ST209800AV	ST209800AV	ST209800AV	1
44	▲ Soulagement de fatigue	CW209700AV	CW209700AV	CW209700AV	1
45	▲ Joint torique de porte de inspection	ST070190AV	ST070190AV	ST070190AV	2
46	Montage du dispositif de protection de la courroie	—	—	ZV007005SJ	1
▲	Pas indiquée				

Para Ordenar Repuestos o Asistencia Técnica, Sírvase Llamar al Distribuidor Más Cercano a Su Domicilio

Sírvase darnos la siguiente información:

- Número del modelo
- Número de serie (de haberlo)
- Descripción y número del repuesto según la lista de repuestos

Puede escribirnos a:

Campbell Hausfeld / Attn: Customer Service
100 Production Drive
Harrison, OH 45030 USA

Nú. Ref.	Descripción	Repuestos para los Modelos:			Ctd.
		VT627505	EX840100 VT619504	EX840500	
1	Tanque	AR060300CG	AR040000CG	AR040000CG	1
2	Llave de salida	D-1403	D-1403	D-1403	1
3	Motor eléctrico	MC015403SJ	MC015403SJ	MC015403SJ	1
4	Chaveta	KE000903AV	KE000903AV	KE000903AV	1
5	Tornillo de cabeza hex	ST016000AV	ST016000AV	ST016000AV	4
6	Arandela	ST011200AV	ST011200AV	ST011200AV	4
7	Tuerca de seguridad	ST146001AV	ST146001AV	ST146001AV	4
8	Niple	HF002401AV	HF002401AV	ST070387AV	1
9	Presostato	CW209300AV	CW209300AV	CW209300AV	1
10	Cordón del motor	EC012800AV	EC012800AV	EC012800AV	1
11	Válvula de seguridad ASME	V-215105AV	V-215105AV	V-215105AV	1
12	Enchufe	ST022500AV	ST022500AV	ST022500AV	1
13	Manómetro	GA031900AV	GA031900AV	—	1
14	Válvula de desfogue	CW210001AV	CW210001AV	CW210001AV	1
15	Válvula de chequeo	CV221502AJ	CV221502AJ	CV221502AJ	1
16	Tapa de contacto	ST085200AV	ST085200AV	ST085200AV	1
17	Tubo de escape	VT046900AP	VT043300AP	VT043300AP	1
18	Tuerca de compresión	ST033001AV	ST033001AV	ST033001AV	1
19	Ajuste de empuje	ST081301AV	ST081301AV	ST081301AV	1
20	Tubo de salida	ST117802AV	ST117802AV	ST117802AV	1
21	Cabezal	VT470000AV	VT470000KB	VT470000KB	1
22	Tapón del drenaje de aceite	ST022300AV	ST022300AV	ST022300AV	1
23	Tapa del drenaje de aceite	ST150100AV	ST150100AV	ST150100AV	1
24	Extensión del drenaje de aceite	ST083800AV	ST083800AV	ST083800AV	1
25	Ensamblaje de compresión	ST018300AV	ST018300AV	ST018300AV	1
26	Tornillo autorroscante	ST016500AV	ST016500AV	ST016500AV	4
27	Banda	BT013000AV	BT020400AV	BT020400AV	1
28	Volante	PU015900AV	PU015900AV	PU015900AV	1
29	Chaveta	KE000900AV	KE000900AV	KE000900AV	1
30	Tornillo	ST026200AV	ST026200AV	ST026200AV	1
31	Polea	PU012600AV	PU012600AV	PU012600AV	1
32	Tornillo de cabeza cuadrada	ST012200AV	ST012200AV	ST012200AV	1
33	Guardacorrea plástico (atrás)	BG222300AV	BG217902AV	—	1
34	Tornillo	ST058502AV	ST058502AV	—	1
35	Guardacorrea plástico (frente)	BG222200AV	BG217800AV	—	1
36	Tornillo autorroscante	ST073269AV	ST073269AV	—	1
37	Tornillo autorroscante	ST073277AV	ST073277AV	—	3
38	Filtro alternante -diámetro del 5,08 cm (2 inch)	WL012000AV	WL012000AV	WL012000AV	1
	Filtro alternante -diámetro del 7,62 cm (3 inch)	ST073915AV	ST073915AV	ST073915AV	1
	Filtro alternante -diámetro del 10,16 cm (4 inch)	VH901700AV	ST073920AV	ST073920AV	1
39	Elemento del filtro alternante -diámetro del 5,08 cm (2 inch)	WL012300AV	WL012300AV	WL012300AV	1
	Elemento del filtro alternante -diámetro del 7,62 cm (3 inch)	ST073916AV	ST073916AV	ST073916AV	1
	Elemento del filtro alternante -diámetro del 10,16 cm (4 inch)	VH901800AV	ST073921AV	ST073921AV	1
40	▲ Juego de etiquetas de advertencias generales	DK747600AV	DK747600AV	DK747600AV	1
41	▲ Etiqueta de advertencias para mover e instalar la unidad	DK364601AV	DK364601AV	DK364601AV	1
42	▲ Reductor de orificio de inspección 5,08 cm x 19,1 mm (2 inch x 3/4 inch)	PG201002AV	PG201002AV	PG201002AV	1
	▲ Reductor de orificio de inspección 5,08 cm x 6,4 mm (2 inch x 1/4 inch)	PG201004AV	PG201004AV	PG201004AV	1
43	▲ Tornillo del relieve de tensión	ST209800AV	ST209800AV	ST209800AV	1
44	▲ Relieve de tensión	CW209700AV	CW209700AV	CW209700AV	1
45	▲ Anillo en o para el orificio de inspección	ST070190AV	ST070190AV	ST070190AV	2
46	Ensamblaje de la guarda de la correa	—	—	ZV007005SJ	1
▲	No su muestra				