

Para Ordenar Repuestos o Asistencia Técnica, Sírvase Llamar al Distribuidor Más Cercano a Su Domicilio

Sírvase darnos la siguiente información
 -Número del modelo
 -Código de fecha (de haberlo)
 -Descripción y número del repuesto según la lista de repuestos

Dirija toda la correspondencia a:
 Campbell Hausfeld / Attn: Customer Service
 100 Production Drive
 Harrison, OH 45030

| No. de Ref | Descripción | Número de Repuesto | Ctd |
|------------|-------------------------------------|--------------------|-----|
| 1 | Perno, M5 x 0.8 x 20 | ◆ Δ | 1 |
| 2 | Accesorio de la tapa de salida | ◆ | 1 |
| 3 | Anillo en O | ◆◆ | 1 |
| 4 | Tapa de salida | ◆ | 1 |
| 5 | Perno, M5 x 0.8 x 25 | Δ | 1 |
| 6 | Arandela de resorte, M5 bolt | Δ | 5 |
| 7 | Sombrerete | SV060100AV | 1 |
| 8 | Empaque | SV060200AV | 1 |
| 9 | Retén del pistón | ▼ | 1 |
| 10 | Resorte | ▼ | 1 |
| 11 | Anillo en O | ●▼ | 1 |
| 12 | Válvula del pistón | ▼ | 1 |
| 13 | Anillo en O | ●▼ | 2 |
| 14 | Separador del cilindro | SV060800AV | 1 |
| 15 | Sello del cilindro | SV060900AV | 1 |
| 16 | Anillo en O | ● | 1 |
| 17 | Sello | SV061100AV | 1 |
| 18 | Anillo en O | ▲ | 1 |
| 19 | Pistón principal | ▲ | 1 |
| 20 | Pasador de resorte | ▲ | 1 |
| 21 | Álabe del impulsor | ▲ | 1 |
| 22 | Cilindro | SV061600AV | 1 |
| 23 | Anillo en O | ● | 1 |
| 24 | Defensa | SV061800AV | 1 |
| 25 | Guía del impulsor | SV061900AV | 1 |
| 26 | Caja del cuerpo | - | 1 |
| 27 | Cubierta de la boquilla | - | 1 |
| 28 | Asa de caucho | - | 1 |
| 29 | Anillo en O | ● | 1 |
| 30 | Tapa trasera del cuerpo | SV062400AV | 1 |
| 31 | Resorte del gatillo | □ | 1 |
| 32 | Gatillo secundario | □ | 1 |
| 33 | Gatillo principal | □ | 1 |
| 34 | Pasador de resorte | □ | 1 |
| 35 | Anillo en O | Δ | 3 |
| 36 | Pasador del gatillo | SV063000AV | 3 |
| 37 | Guía de trayect. de contacto | SV063100AV | 1 |
| 38 | Resorte | SV063200AV | 1 |
| 39 | Anillo en E | SV063300AV | 1 |
| 40 | Trayect. de contacto superior | SV063400AV | 1 |
| 41 | Rueda ajustable | SV063500AV | 1 |
| 42 | Perno ajustable | SV063600AV | 1 |
| 43 | Bille d'acier | SV063700AV | 2 |
| 44 | Ressort | SV063800AV | 1 |
| 45 | Empaque | ■ | 1 |
| 46 | Separador de la válvula del gatillo | ■ | 1 |
| 47 | Resorte | ■ | 1 |
| 48 | Anillo en O | ■ | 2 |
| 49 | Vástago de la válvula del gatillo | ■ | 1 |
| 50 | Anillo en O | ■● | 1 |

| No. de Ref | Descripción | Número de Repuesto | Ctd |
|------------|--|--------------------|-----|
| 51 | Cubierta del interruptor neumático | ■ | 1 |
| 52 | Cubierta de protección | - | 1 |
| 53 | Anillo en O | ● | 1 |
| 54 | Accesorio de etiqueta (izq.) | - | 1 |
| 55 | Accesorio de etiqueta (der.) | - | 1 |
| 56 | Tuerca, M5 x 0.8 | Δ | 1 |
| 57 | Tuerca, M4 x 0.7 | Δ | 1 |
| 58 | Arandela, M5 bolt | Δ | 1 |
| 61 | Perno, M5 x 0.8 x 22 | Δ | 2 |
| 62 | Guía de la broca principal superior | SV065100AV | 1 |
| 63 | Anillo en O | SV065200AV | 1 |
| 64 | Puerta | SV065300AV | 1 |
| 65 | Pasador | SV065400AV | 1 |
| 66 | Elemento de contacto | SV065500AV | 1 |
| 67 | Punta de protección | SV065600AV | 1 |
| 68 | Nez | SV065700AV | 1 |
| 69 | Perno 4 x 12, M4 x 0.7 x 12 | Δ | 1 |
| 70 | Resorte | SV065900AV | 1 |
| 71 | Anillo lateral | SV066000AV | 1 |
| 72 | Pasador de la boquilla | SV066100AV | 1 |
| 73 | Almohadilla del pasador de la boquilla | SV066200AV | 1 |
| 74 | Arandela, M4 bolt | Δ | 1 |
| 75 | Perno, M4 x 0.7 x 22 | Δ | 1 |
| 76 | Cubierta plástica lateral | - | 1 |
| 77 | Perno, M4 x 0.7 x 8 | Δ | 1 |
| 78 | Guía del disparador | ▽ | 1 |
| 79 | Impulsor | ▽ | 1 |
| 80 | Eje | ▽ | 1 |
| 81 | Resorte | ▽ | 1 |
| 82 | Anillo en E | ▽ | 1 |
| 83 | Almohadilla de impulsión | ▽ | 1 |
| 84 | Resorte | ▽ | 1 |
| 85 | Entretoise | ▽ | 1 |
| 86 | Pasador | ▽ | 1 |
| 87 | Cubierta del cargador | SV067600AV | 1 |
| 88 | Calce de guía para clavos | SV067700AV | 1 |
| 89 | Cargador | SV067800AV | 1 |
| 90 | Extremo del cargador | SV067900AV | 1 |
| 91 | Perno, M5 x 0.8 x 16 | Δ | 1 |
| 92 | Perno, M4 x 0.7 x 10 | Δ | 2 |

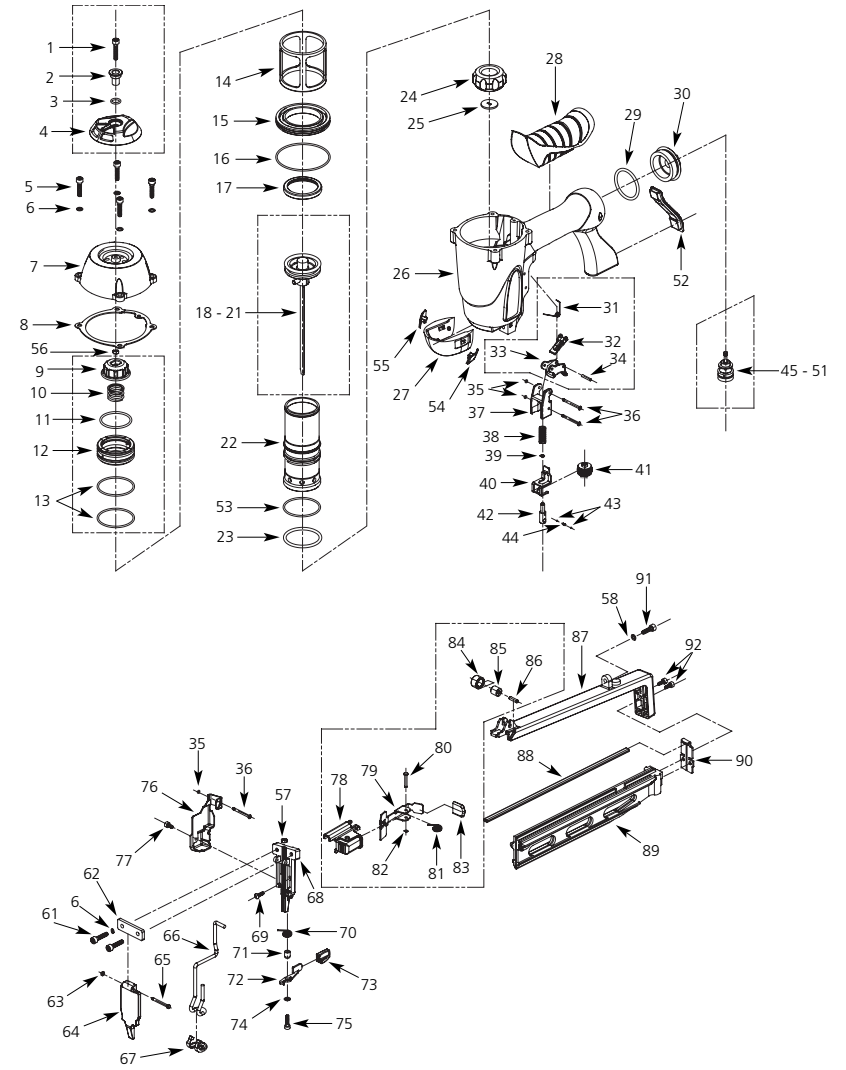
JUEGOS DE REPUESTOS

| | | |
|---|---|------------|
| ▲ | Ensamble de la paleta de impulsión | SKN02000AV |
| ■ | Ensamble de la válvula del gatillo | SKN02100AV |
| ● | Juego completo de anillos en O | SKN02200AV |
| ◆ | Juego de ensamble del deflector | SKN02300AV |
| ▼ | Juego de la válvula de la culata del pistón | SKN02400AV |
| □ | Juego de ensamble del gatillo | SKN02500AV |
| ▽ | Juego de impulsión | SKN02600AV |
| Δ | Artículo estándar de ferretería | |



**2 1/2" Finish Nailer
 6,4 cm Cloveuse Pour Finition
 6,4 cm Clavadora Para Acabado**

Replacement Parts List, Liste de Pièces de Rechange, Lista de Repuestos CHN20100



For Replacement Parts or Technical Assistance, Call 1-800-543-6400

Please provide following information:
 -Model number
 -Date code (if any)
 -Part descriptions and number as shown in parts list

Address any correspondence to:
 Campbell Hausfeld / Attn: Customer Service
 100 Production Drive
 Harrison, OH 45030

| Ref. No. | Description | Part Number | Qty |
|----------|------------------------|-------------|-----|
| 1 | Bolt, M5 x 0.8 x 20 | ◆ Δ | 1 |
| 2 | Exhaust cap attachment | ◆ | 1 |
| 3 | O-ring | ◆◆ | 1 |
| 4 | Exhaust cap | ◆ | 1 |
| 5 | Bolt, M5 x 0.8 x 25 | Δ | 1 |
| 6 | Spring washer, M5 bolt | Δ | 5 |
| 7 | Head cap | SV060100AV | 1 |
| 8 | Gasket | SV060200AV | 1 |
| 9 | Piston stopper | ▼ | 1 |
| 10 | Spring | ▼ | 1 |
| 11 | O-ring | ●▼ | 1 |
| 12 | Valve piston | ▼ | 1 |
| 13 | O-ring | ●▼ | 2 |
| 14 | Cylinder spacer | SV060800AV | 1 |
| 15 | Cylinder seal | SV060900AV | 1 |
| 16 | O-ring | ● | 1 |
| 17 | Seal | SV061100AV | 1 |
| 18 | O-ring | ▲● | 1 |
| 19 | Main piston | ▲ | 1 |
| 20 | Spring pin | ▲ | 1 |
| 21 | Driver blade | ▲ | 1 |
| 22 | Cylinder | SV061600AV | 1 |
| 23 | O-ring | ● | 1 |
| 24 | Bumper | SV061800AV | 1 |
| 25 | Driver guide | SV061900AV | 1 |
| 26 | Body housing | - | 1 |
| 27 | Nozzle shield | - | 1 |
| 28 | Rubber grip | - | 1 |
| 29 | O-ring | ● | 1 |
| 30 | Rear body cap | SV062400AV | 1 |
| 31 | Trigger spring | □ | 1 |
| 32 | Secondary trigger | □ | 1 |
| 33 | Main trigger | □ | 1 |
| 34 | Spring pin | □ | 1 |
| 35 | O-ring | Δ | 3 |
| 36 | Trigger pin | SV063000AV | 3 |
| 37 | Contact trip guide | SV063100AV | 1 |
| 38 | Spring | SV063200AV | 1 |
| 39 | E-ring | SV063300AV | 1 |
| 40 | Upper contact trip | SV063400AV | 1 |
| 41 | Adjustable wheel | SV063500AV | 1 |
| 42 | Adjustable bolt | SV063600AV | 1 |
| 43 | Steel ball | SV063700AV | 2 |
| 44 | Spring | SV063800AV | 1 |
| 45 | Gasket | ■ | 1 |
| 46 | Trigger valve cage | ■ | 1 |
| 47 | Spring | ■ | 1 |
| 48 | O-ring | ■ | 2 |
| 49 | Trigger valve stem | ■ | 1 |
| 50 | O-ring | ■● | 1 |

| Ref. No. | Description | Part Number | Qty |
|-------------------------------|----------------------------|-------------|-----|
| 51 | Air switch cover | ■ | 1 |
| 52 | Guard cover | - | 1 |
| 53 | O-ring | ● | 1 |
| 54 | Decal insert (left) | - | 1 |
| 55 | Decal insert (right) | - | 1 |
| 56 | Nut, M5 x 0.8 | Δ | 1 |
| 57 | Nut, M4 x 0.7 | SV060100AV | 1 |
| 58 | Washer, M5 bolt | Δ | 1 |
| 61 | Bolt, M5 x 0.8 x 22 | Δ | 2 |
| 62 | Upper main bit guide | SV065100AV | 1 |
| 63 | O-ring | SV065200AV | 1 |
| 64 | Door | SV065300AV | 1 |
| 65 | Pin | SV065400AV | 1 |
| 66 | Work contact element (WCE) | SV065500AV | 1 |
| 67 | No-mar tip | SV065600AV | 1 |
| 68 | Nose | SV065700AV | 1 |
| 69 | Bolt 4 x 12, M4 x 0.7 x 12 | Δ | 1 |
| 70 | Spring | SV065900AV | 1 |
| 71 | Side ring | SV066000AV | 1 |
| 72 | Nose latch | SV066100AV | 1 |
| 73 | Nose latch pad | SV066200AV | 1 |
| 74 | Washer, M4 bolt | Δ | 1 |
| 75 | Bolt, M4 x 0.7 x 22 | Δ | 1 |
| 76 | Side plastic cover | - | 1 |
| 77 | Bolt, M4 x 0.7 x 8 | Δ | 1 |
| 78 | Pusher guide | ▽ | 1 |
| 79 | Pusher | ▽ | 1 |
| 80 | Shaft | ▽ | 1 |
| 81 | Spring | ▽ | 1 |
| 82 | E-ring | ▽ | 1 |
| 83 | Pusher pad | ▽ | 1 |
| 84 | Spring | ▽ | 1 |
| 85 | Spacer | ▽ | 1 |
| 86 | Pin | ▽ | 1 |
| 87 | Magazine cover | SV067600AV | 1 |
| 88 | Nail guide liner | SV067700AV | 1 |
| 89 | Magazine | SV067800AV | 1 |
| 90 | Magazine end | SV067900AV | 1 |
| 91 | Bolt, M5 x 0.8 x 16 | Δ | 1 |
| 92 | Bolt, M4 x 0.7 x 10 | Δ | 2 |
| REPLACEMENT PARTS KITS | | | |
| ▲ | Driver blade assembly | SKN02000AV | |
| ■ | Trigger valve assembly | SKN02100AV | |
| ● | Complete o-ring kit | SKN02200AV | |
| ◆ | Deflector assembly kit | SKN02300AV | |
| ▼ | Head valve piston kit | SKN02400AV | |
| □ | Trigger assembly kit | SKN02500AV | |
| ▽ | Pusher kit | SKN02600AV | |
| Δ | Standard hardware item | | |

Pour Pièces de Rechange ou assistance technique, appeler 1-800-543-6400

S'il vous plaît fournir l'information suivant:
 -Numéro du modèle
 -Code de date (si présent)
 -Description de la pièce et son numéro sur la liste

Adresser toute correspondance à :
 Campbell Hausfeld / Attn: Customer Service
 100 Production Drive
 Harrison, OH 45030

| N° de Réf | Description | Número De Pièce | Qté |
|-----------|-------------------------------------|-----------------|-----|
| 1 | Boulon, M5 x 0.8 x 20 | ◆ Δ | 1 |
| 2 | Accessoire de chapeau d'échappement | ◆ | 1 |
| 3 | Joint torique | ◆◆ | 1 |
| 4 | Chapeau d'échappement | ◆ | 1 |
| 5 | Boulon, M5 x 0.8 x 25 | Δ | 1 |
| 6 | Rondelle élastique, M5 bolt | Δ | 5 |
| 7 | Chapeau de tête | SV060100AV | 1 |
| 8 | Joint d'étanchéité | SV060200AV | 1 |
| 9 | Butée de piston | ▼ | 1 |
| 10 | Ressort | ▼ | 1 |
| 11 | Joint torique | ●▼ | 1 |
| 12 | Soupape à piston | ▼ | 1 |
| 13 | Joint torique | ●▼ | 2 |
| 14 | Entretoise de cylindre | SV060800AV | 1 |
| 15 | Joint de cylindre | SV060900AV | 1 |
| 16 | Joint torique | ● | 1 |
| 17 | Joint | SV061100AV | 1 |
| 18 | Joint torique | ▲● | 1 |
| 19 | Piston principal | ▲ | 1 |
| 20 | Goupille à ressort | ▲ | 1 |
| 21 | Lame d'entraînement | ▲ | 1 |
| 22 | Cylindre | SV061600AV | 1 |
| 23 | Joint torique | ● | 1 |
| 24 | Pare-chocs | SV061800AV | 1 |
| 25 | Guide de chasse | SV061900AV | 1 |
| 26 | Bâti du moteur | - | 1 |
| 27 | Écran de buse | - | 1 |
| 28 | Poignée en caoutchouc | - | 1 |
| 29 | Joint torique | ● | 1 |
| 30 | Capuchon du corps arrière | SV062400AV | 1 |
| 31 | Ressort de gâchette | □ | 1 |
| 32 | Gâchette secondaire | □ | 1 |
| 33 | Pistón principal | □ | 1 |
| 34 | Goupille à ressort | □ | 1 |
| 35 | Joint torique | Δ | 3 |
| 36 | Goupille de gâchette | SV063000AV | 3 |
| 37 | Guide de déclencheur contact | SV063100AV | 1 |
| 38 | Ressort | SV063200AV | 1 |
| 39 | Bague en E | SV063300AV | 1 |
| 40 | Déclencheur à contact supérieur | SV063400AV | 1 |
| 41 | Roue ajustable | SV063500AV | 1 |
| 42 | Boulon ajustable | SV063600AV | 1 |
| 43 | Bille d'acier | SV063700AV | 2 |
| 44 | Ressort | SV063800AV | 1 |
| 45 | Joint d'étanchéité | ■ | 1 |
| 46 | Lanterne de soupape de gâchette | ■ | 1 |
| 47 | Ressort | ■ | 1 |
| 48 | Joint torique | ■ | 2 |
| 49 | Tige de soupape de gâchette | ■ | 1 |
| 50 | Joint torique | ■● | 1 |

| N° de Réf | Description | Número De Pièce | Qté |
|--|---|-----------------|-----|
| 51 | Couvercle d'interrupteur de débit d'air | ■ | 1 |
| 52 | Couvercle protecteur | - | 1 |
| 53 | Joint torique | ● | 1 |
| 54 | Garniture de décalque (gauche) | - | 1 |
| 55 | Garniture de décalque (droite) | - | 1 |
| 56 | Écrou, M5 x 0.8 | Δ | 1 |
| 57 | Écrou, M4 x 0.7 | Δ | 1 |
| 58 | Rondelle, M5 bolt | Δ | 1 |
| 61 | Boulon, M5 x 0.8 x 22 | Δ | 2 |
| 62 | Guide de foret principal supérieur | SV065100AV | 1 |
| 63 | Joint torique | SV065200AV | 1 |
| 64 | Porte | SV065300AV | 1 |
| 65 | Goupille | SV065400AV | 1 |
| 66 | Pointe de contact | SV065500AV | 1 |
| 67 | Embout anti-marque | SV065600AV | 1 |
| 68 | Nez | SV065700AV | 1 |
| 69 | Boulon 4 x 12, M4 x 0.7 x 12 | Δ | 1 |
| 70 | Ressort | SV065900AV | 1 |
| 71 | Bague latérale | SV066000AV | 1 |
| 72 | Verrou de la buse | SV066100AV | 1 |
| 73 | Tampon du verrou de la buse | SV066200AV | 1 |
| 74 | Rondelle, M4 bolt | Δ | 1 |
| 75 | Boulon, M4 x 0.7 x 22 | Δ | 1 |
| 76 | Couvercle de plastique latéral | - | 1 |
| 77 | Boulon, M4 x 0.7 x 8 | Δ | 1 |
| 78 | Guide de poussoir | ▽ | 1 |
| 79 | Poussoir | ▽ | 1 |
| 80 | Arbre | ▽ | 1 |
| 81 | Ressort | ▽ | 1 |
| 82 | Bague en E | ▽ | 1 |
| 83 | Tampon poussoir | ▽ | 1 |
| 84 | Ressort | ▽ | 1 |
| 85 | Entretoise | ▽ | 1 |
| 86 | Goupille | ▽ | 1 |
| 87 | Couvercle de chargeur | SV067600AV | 1 |
| 88 | Garniture guide de clou | SV067700AV | 1 |
| 89 | Chargeur | SV067800AV | 1 |
| 90 | Extrémité du chargeur | SV067900AV | 1 |
| 91 | Boulon, M5 x 0.8 x 16 | Δ | 1 |
| 92 | Boulon, M4 x 0.7 x 10 | Δ | 2 |
| NECESSAIRES DE PIÈCES DE RECHANGE | | | |
| ▲ | Assemblage de la lame d'entraînement | SKN02000AV | |
| ■ | Assemblage de la soupape de gâchette | SKN02100AV | |
| ● | Nécessaire complet de joints toriques | SKN02200AV | |
| ◆ | Trousse d'assemblage du déflecteur | SKN02300AV | |
| ▼ | Nécessaire de soupape de tête de piston | SKN02400AV | |
| □ | Trousse d'assemblage de la gâchette | SKN02500AV | |
| ▽ | Trousse du poussoir | SKN02600AV | |
| Δ | Article normal de quincaillerie | | |