



# ***Air Powered Flooring Nailer / Stapler***

Operating Instructions and Parts Manual

**CHN50300**



FRANÇAISE: Page 19

ESPAÑOL: Página 37

IN715201AV 8/08



**MAKES IT EASY TO DO IT LIKE A PRO**

[chpower.com](http://chpower.com)

## Table of Contents

---

Description .....	3	Set-Up .....	10
Specifications .....	3	Lubrication .....	10
Safety Guidelines .....	4	Minimum Components Required For Hook-up .....	11
Safety Symbols .....	4	Hook-up Instructions For Nailer to Air Supply.....	11
Important Safety Information .....	4	Air Hose Requirements.....	11
Instructions Pertaining to a Risk of Fire, Electric Shock, or Injury to Persons .....	4	Fastener Interchange Information ...	12
California Proposition 65 .....	4	Loading/Unloading The Nailer. ....	12
General .....	4	Loading the Staples .....	12
Work Area.....	4	Loading the L-Cleats .....	12
Personal Safety .....	5	Operation .....	13
Tool Use and Care .....	5	Project Materials List: .....	13
Service.....	6	Project Tools List:.....	13
Air Source.....	6	Racking the Flooring .....	13
Unpacking.....	7	Firing the Nailer .....	13
Contents in the Plastic Carrying Case .....	7	Fastener Depth & Placement. ....	14
Additional Items Not Included .....	7	Storage .....	14
Glossary .....	8	Maintenance.....	14
Getting To Know Your Flooring Nailer/ Stapler Like A Pro.....	9	Clearing A Jam From The Nailer ...	14
Recommended Uses for this Flooring Nailer/Stapler .....	9	Nailer Repair .....	14
Assembly .....	9	Replacement Parts.....	15
Shoe Plate Sizes .....	10	Assembly Procedure For Seals .....	15
Tools Required for Changing Shoe Plates.....	10	Technical Service .....	15
Changing Shoe Plates .....	10	Troubleshooting Guide .....	15
		Replacement Parts List for Flooring Nailer/Stapler.....	17
		Warranty .....	18

---

### For parts, product and service information

**Visit:** [www.chpower.com](http://www.chpower.com)

**Call :** Customer Service at 1-800-543-6400

**Address any correspondence to:**

Campbell Hausfeld  
Attn: Customer Service  
100 Production Drive  
Harrison, OH 45030 U.S.A.

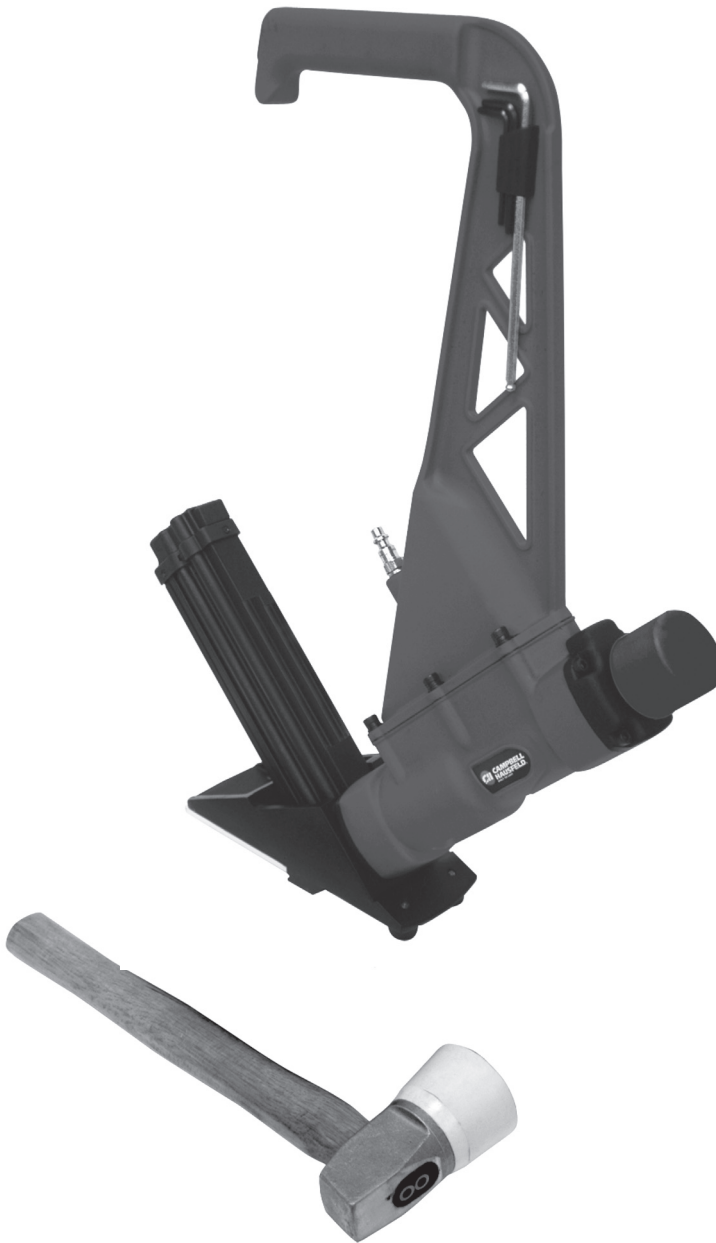


# Flooring Nailer/Stapler



## Description

This flooring nailer/stapler is designed for use in installing 1/2 inch to 3/4 inch thick unfinished and prefinished hardwood flooring. Caution must be used so the finish is not damaged by the tool.



**Figure 1 - CHN50300 Flooring Nailer/Stapler**

## Specifications

**Model CHN50300**

**Requires:** 0.7 Avg SCFM using 10 fasteners per minute at 90 psi

**Air Inlet:** 1/4 inch NPT

**Fastener Size Range:**

- 1-1/2 in. to 2 in.,  
16 gauge L-Cleats
- 1-1/2 in. to 2 in.,  
15.5 gauge 1/2 in. Crown  
Flooring Staples

**Magazine Capacity:** 110 fasteners

**Weight:** 10 lbs.

**Length:** 16-1/2 inches

**Height:** 23 inches

**Maximum Pressure:** 90 psi

**Pressure Range:** 70 psi to 90 psi

Locate model number on magazine and date code on tool body. Record below:

Model #: \_\_\_\_\_

Date Code: \_\_\_\_\_

Retain these numbers for future reference.

## Safety Guidelines

This manual contains information that is very important to know and understand. This information is provided for SAFETY and to PREVENT EQUIPMENT PROBLEMS. To help recognize this information, observe the following symbols.

**▲ DANGER** Danger indicates an imminently hazardous situation which, if not avoided, WILL result in death or serious injury.

**▲ WARNING** Warning indicates a potentially hazardous situation which, if not avoided, COULD result in death or serious injury.

**▲ CAUTION** Caution indicates a potentially hazardous situation which, if not avoided, MAY result in minor or moderate injury.

**NOTICE** Notice indicates important information, that if not followed, may cause damage to equipment.

**IMPORTANT:** Information that requires special attention.

## Safety Symbols

The following Safety Symbols appear throughout this manual to alert you to important safety hazards and precautions.



Wear Eye and Mask Protection



Read Manual First



Risk of Explosion



Risk of Falling



Wear Eye Protection



Wear Hearing Protection



Risk of Personal Injury

## Important Safety Information

### INSTRUCTIONS PERTAINING TO A RISK OF FIRE, ELECTRIC SHOCK, OR INJURY TO PERSONS

This manual contains important safety, operational and maintenance information. If you have any questions, please call 1-800-543-6400 for customer assistance.

**▲ WARNING** When using tools, basic precautions should always be followed, including the following:

#### CALIFORNIA PROPOSITION 65

**▲ WARNING** This product or its power cord may contain chemicals known to the State of California to cause cancer and birth defects or other reproductive harm. Wash hands after handling.

**▲ WARNING** You can create dust when you cut, sand, drill or grind materials such as wood, paint, metal, concrete, cement, or other masonry. This dust often contains chemicals known to cause cancer, birth defects, or other reproductive harm. Wear protective gear.



#### GENERAL

- To reduce the risks of electric shock, fire, and injury to persons, read all the instructions before using the tool. Failure to follow warnings, dangers, and cautions could result in DEATH or SERIOUS INJURY.
- Be thoroughly familiar with the controls and the proper use of the equipment. Follow all instructions. Contact your Campbell Hausfeld representative if you have any questions.
- Only persons well acquainted with these rules of safe operation should be allowed to use the unit.



**▲ WARNING** Do not operate or allow anyone else to operate the nailer if any warnings or warning labels are not legible. Warnings or warning labels are located on the nailer magazine and body.

**▲ WARNING** Always assume the nailer contains nails. Respect the tool as a working implement; no horseplay. Always keep others at a safe distance from the work area in case of accidental discharge of nails. Do not point the tool toward yourself or anyone whether it contains fasteners or not. Accidental triggering of the nailer could result in death or serious personal injury.

**▲ CAUTION** Do not make any modifications to the tool without first obtaining written approval from Campbell Hausfeld. Do not use the nailer if any shields or guards are removed or altered. Do not use the nailer as a hammer. Personal injury or tool damage may occur.

**NOTICE** Clean and check all air supply hoses and fittings before connecting the nailer to an air supply. Replace any damaged or worn hoses or fittings. Tool performance or durability may be reduced.

#### WORK AREA

- Keep the work area clean and well lighted. Cluttered benches and dark areas increase the risks of electric shock, fire, and injury to persons.
- Do not operate the tool in explosive atmospheres, such as in the presence of flammable liquids, gases, or dust. The tool is able to create sparks resulting in the ignition of the dust or fumes.
- Keep bystanders, children, and visitors away while operating the tool. Distractions are able to result in the loss of control of the tool.



## Important Safety Information (Continued)

### PERSONAL SAFETY

- Stay alert. Watch what you are doing and use common sense when operating the tool. Do not use the tool while tired or under the influence of drugs, alcohol, or medication.** A moment of inattention while operating the tool increases the risk of injury to persons.
- Dress properly. Do not wear loose clothing or jewelry. Contain long hair. Keep hair, clothing, and gloves away from moving parts.** Loose clothes, jewelry, or long hair increases the risk of injury to persons as a result of being caught in moving parts.
- Avoid unintentional starting. Be sure rubber bumper is up before connecting to the air supply.**
- Do not overreach. Keep proper footing and balance at all times.** Proper footing and balance enables better control of the tool in unexpected situations.
- Use safety equipment.** A dust mask, non-skid safety shoes and a hard hat must be used for the applicable conditions.



**▲ WARNING** Ensuring that the tool is used only when the operator and all other personnel in the work area are wearing ANSI Z87 eye protection equipment, and when required, other appropriate protection equipment such as head, hearing and foot protection equipment. Serious eye or permanent hearing loss could result.



- Always wear hearing protection when using the tool.** Prolonged exposure to high intensity noise is able to cause hearing loss.
- Do not attach the hose or tool to your body.** Attach the hose to the structure to reduce the risk of loss of balance if the hose shifts.
- Always assume that the tool contains fasteners.** Do not point the tool toward yourself or anyone whether it contains fasteners or not.



**▲ WARNING** Do not drop or throw the tool. Dropping or throwing the tool can result in damage that will make the tool unusable or unsafe. If the tool has been dropped or thrown, examine the tool closely for bent, cracked or broken parts and air leaks. STOP and repair before using or serious injury could occur.

**▲ CAUTION** Avoid long extended periods of work with the nailer. Stop using the nailer if you feel pain in hands or arms.

### TOOL USE AND CARE

- Do not force the tool.** Use the correct tool for the application. The correct tool will do the job better and safer at the rate for which the tool is designed.
- Store the tool when it is idle out of reach of children and other untrained persons.** A tool is dangerous in the hands of untrained users.
- Maintain the tool with care.** A properly maintained tool reduces the risk of problems and is easier to control.
- Use only those fasteners listed in the “Fastener Interchange Information” section on page 12 of this manual.** Fasteners not identified for use with this tool by the tool manufacturer are able to result in a risk of injury to persons or tool damage when used in this tool.

**▲ WARNING** Disconnect the tool from the air source before making adjustments, doing tool maintenance, clearing jams, touching the safety yoke, leaving work area, loading, or unloading the tool. Such precautionary measures reduce the risk of injury to persons.

**▲ DANGER** Make sure tool is securely placed before firing (see Operation section, page 13). If tool is not securely placed, there is a risk of flying fasteners that may cause death or serious injury.

**▲ DANGER** Make sure mallet head is secure to mallet handle. Do not use if head is not secure. A non-secure head may fly off and cause death or severe personal injury.

**▲ WARNING** Always disconnect the tool from the power source when unattended, performing any maintenance or repair, clearing a jam, loading, unloading, or moving the tool to a new location.

**▲ WARNING** Always fit tool with a fitting or hose coupling on or near the tool in such a manner that all compressed air in the tool is discharged at the time the fitting or hose coupling is disconnected. Do not use a check valve or any other fitting which allows air to remain in the nailer. Death or serious personal injury could occur. See Figure 2 on page 6.

**▲ WARNING** Never carry the nailer by the air hose or pull the hose to move the nailer or a compressor. Keep hoses away from heat, oil and sharp edges. Replace any hose that is damaged, weak or worn. Personal injury or tool damage could occur. See Figure 3.

**▲ WARNING** Do not drive a nail on top of other nails. The nail could glance and cause death or a serious puncture wound. See Figure 4.



## Important Safety Information (Continued)

**CAUTION** Do not place tool on pre-finished flooring in an abusive manner. Careless placement of the tool may mar or damage the flooring.

**NOTICE** Always use the rubber end of the mallet only for striking the rubber bumper. Damage to the tool may occur if you use the metal end. The metal end is only to be used for racking the flooring boards.

**NOTICE** Avoid using the nailer when the magazine is empty. Accelerated wear on the nailer may occur.

### SERVICE

- Tool service must be performed only by qualified repair personnel.
- When servicing a tool, use only identical replacement parts. Use only authorized parts.
- Use only the lubricants supplied with the tool or specified by the manufacturer.

### AIR SOURCE

- Never connect to an air source that is capable of exceeding 200 psi. Over pressurizing the tool is able to result in bursting, abnormal operation, breakage of the tool or serious injury to persons. Use only clean, dry, regulated compressed air at the rated pressure or within the rated pressure range as marked on the tool. Always verify prior to using the tool that the air source has been adjusted to the rated air pressure or within the rated air-pressure range.
- Never use oxygen, carbon dioxide, combustible gases or any bottled gas as an air source for the tool. Such gases are capable of explosion and serious injury to persons.

**NOTICE** Air compressors providing air to the nailer should follow the requirements established by the American National Standards Institute Standard B19.3-1991; Safety Standard for Compressors for Process Industries. Contact your air compressor manufacturer for information.

**NOTICE** Read all flooring manufacturer warnings, procedures, and instructions before using this tool. The information provided by the flooring manufacturer must be followed.

**SAVE THESE INSTRUCTIONS  
DO NOT DISCARD**

The **DANGER**, **WARNING**, **CAUTION**, and **NOTICE** notifications and instructions in this manual cannot cover all possible conditions and situations that may occur. It must be understood by the operator that common sense and caution are factors which cannot be built into this product, but must be supplied by the operator.

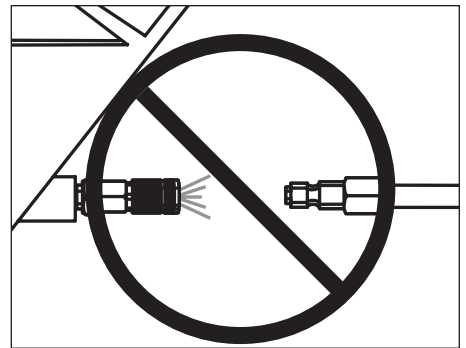


Figure 2

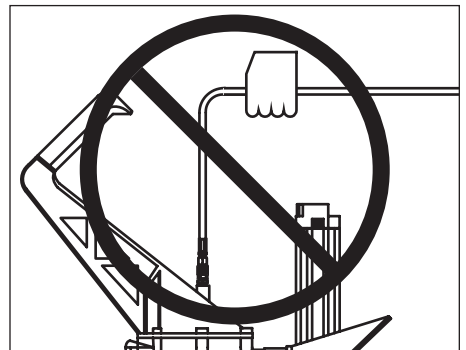


Figure 3 - Do not carry the nailer by the air hose

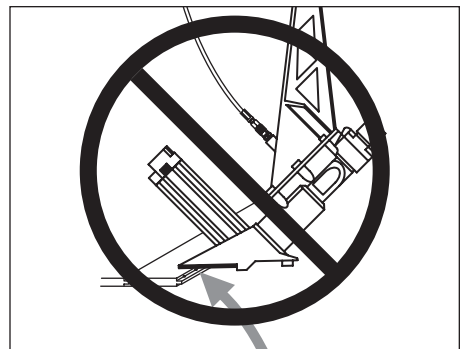


Figure 4

## Unpacking

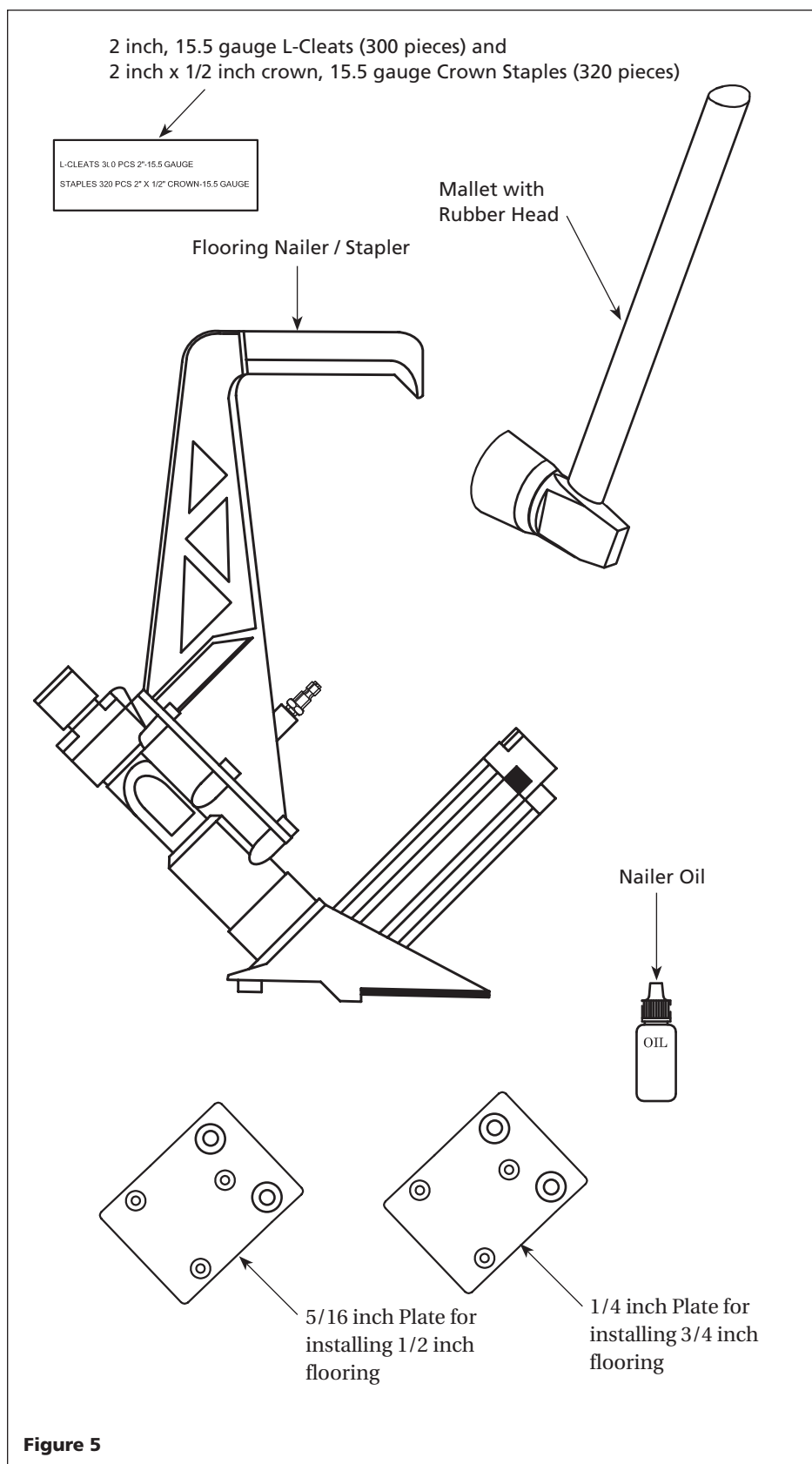


Figure 5

After unpacking the unit, inspect carefully for any damage that may have occurred during transit. Check for loose, missing or damaged parts. Make sure to tighten fittings, bolts, etc., before putting unit into service. Check to be sure all supplied accessories are enclosed with the unit. In case of questions, damaged or missing parts, please call 1-800-543-6400 for customer assistance.

### CONTENTS IN THE PLASTIC CARRYING CASE

- ◆ Flooring Nailer/Stapler
- ◆ Mallet with Rubber Head
- ◆ 2 in., 15.5 gauge L-Cleats (300 pieces)
- ◆ 2 in. x 1/2 in., 15.5 gauge Crown Staples (320 pieces)
- ◆ 3 mm, 4 mm, and 5 mm Hex Wrenches
- ◆ Nailer Oil
- ◆ 5/16 inch Plate for installing 1/2 inch flooring
- ◆ (3) Screws for installing 5/16 inch shoe plate
- ◆ Operating Instructions and Parts Manual
- ◆ Warranty Card

### ADDITIONAL ITEMS NOT INCLUDED

- ◆ Compressor (must be able to maintain a minimum of 70 psi when the nailer is being used)
- ◆ Air hose
- ◆ Small tool for clearing jams
- ◆ Threadlock glue
- ◆ 30 W Non-detergent oil
- ◆ ANSI Z87 eye protection
- ◆ Small needle nose pliers

**Read & Follow All Instructions**  
**Save These Instructions**  
**Do Not Discard**

## Glossary

Become familiar with these terms before operating the unit.

**ACTUATE (TOOL)** — To cause movement to the tool's component(s) intended to drive the fastener.

**ACTUATION SYSTEM** — The use of a trigger, work contact element (WCE) and/or other operating control, separately or in combination or sequence, to actuate the tool.

**AIR INLET** — The opening in which the compressed air supply is connected, usually by means of a threaded fitting.

**L-CLEATS** — A type of fastener used to fasten tongue and groove hardwood flooring (see Figure 8).

**MAGAZINE** — The part of the nailer that holds the L-Cleats and staples (see Figure 10).

**MAXIMUM AIR PRESSURE** — The maximum allowable pressure of compressed air, as specified by the manufacture, for operating the tool.

**PRESSURE REGULATOR** — a valve that automatically cuts off the flow of a liquid or gas at a certain pressure, usually for the purpose of preventing damage to the tool.

**psi (POUNDS PER SQUARE INCH)** —Measurement of the pressure exerted by the force of the air. The actual psi output is measured by a pressure gauge on the compressor.

**QUICK COUPLER** — A quick coupler is designed to work in combination with a quick plug to quickly and easily join a pneumatic tool to an air hose (see Figure 6).

**QUICK PLUG** — A quick plug is designed to work in combination with a quick coupler to quickly and easily join a pneumatic tool to an air hose (see Figure 7).

**RACKING** — Racking is the process of laying out the floor before it is nailed or stapled.

**REGULATOR** — A device used to control air pressure to an air operated tool

**STAPLES** — A type of fastener used to fasten tongue and groove hardwood flooring (see Figure 9).

**THREAD LOCK GLUE** — A locking glue that is applied to the screw threads before installing. Prevents the screws from working loose during tool operation.

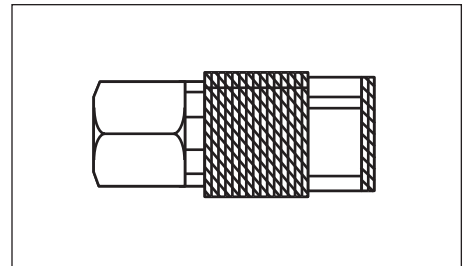


Figure 6 - Quick Coupler

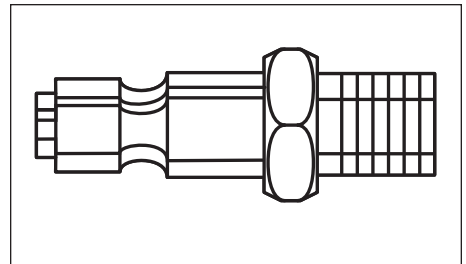


Figure 7 - Quick Plug

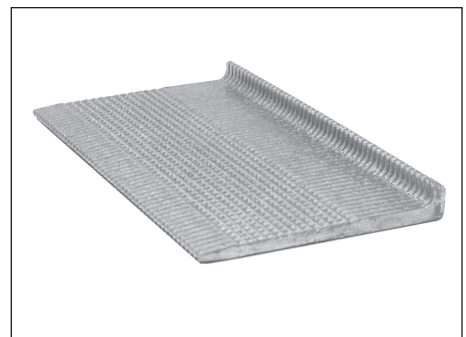


Figure 8 - L-Cleats

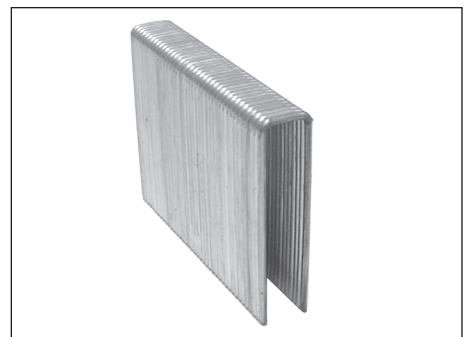


Figure 9 - Staples



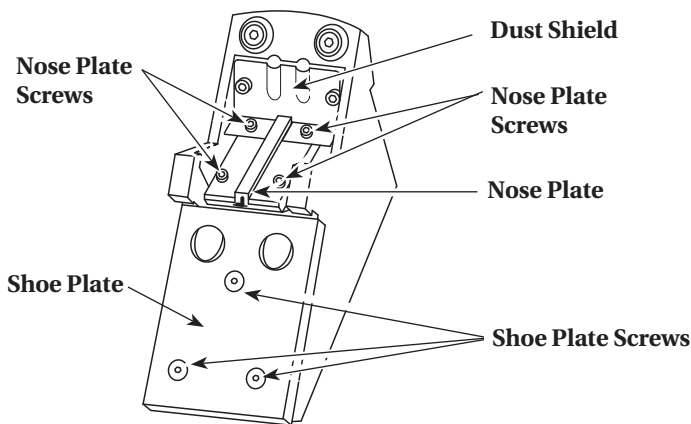
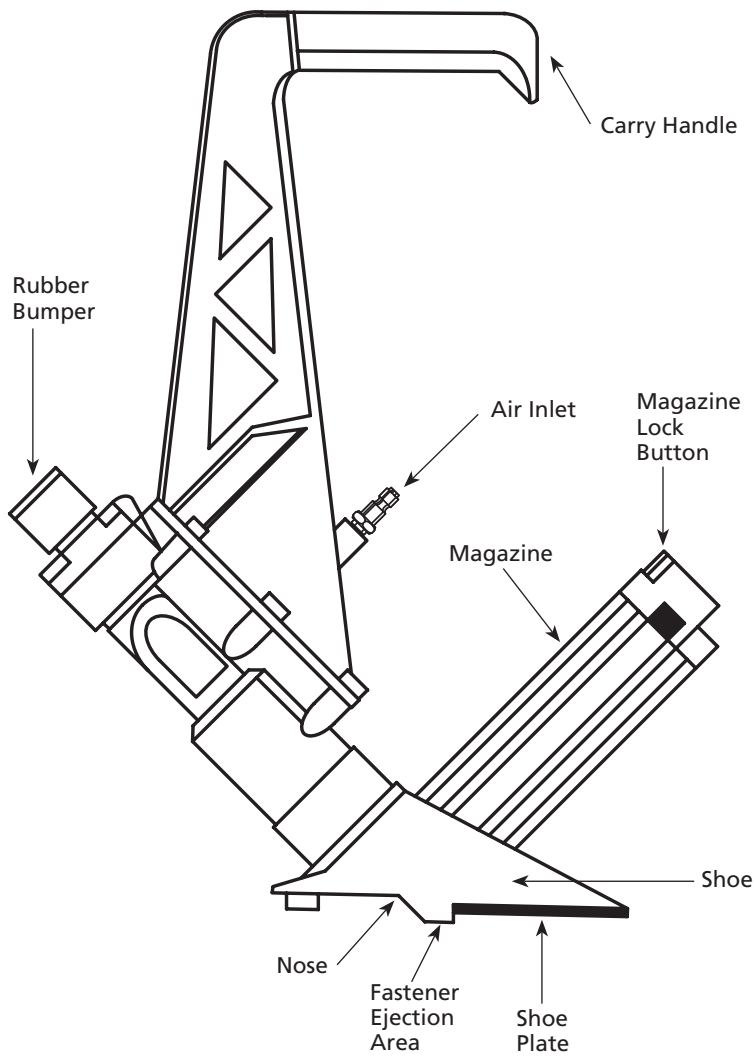
**Getting To Know Your Flooring Nailer/Stapler Like A Pro**

**RECOMMENDED USES FOR THIS FLOORING NAILER/STAPLER**

- ◆ Installing 1/2 inch hardwood flooring
- ◆ Installing 5/8 inch bamboo flooring
- ◆ Installing 3/4 inch hardwood flooring

**Assembly**

This tool comes fully assembled with the 1/4 inch thin shoe plate installed and is ready for use in installing 3/4 inch hardwood flooring. Refer to “Changing Shoe Plates” on page 10 for detailed instructions on how to change the shoe plate.



**Figure 10 - Components of the Flooring Nailer/Stapler**

**Assembly (Continued)**

**SHOE PLATE SIZES**

There are two shoe plates included with this tool. The thin plate (1/4 inch) is for use on 3/4 inch thick hardwood flooring. The thick plate (5/16 inch) is for use on 1/2 inch thick hardwood flooring and 5/8 inch bamboo flooring.

**NOTICE** To prevent damage to the flooring, use the correct shoe for the flooring being installed. See Chart 1.

**TOOLS REQUIRED FOR CHANGING SHOE PLATES**

- ◆ 4 mm Hex Wrench (supplied)
- ◆ Threadlock Glue

**CHANGING SHOE PLATES**

1. Disconnect the air supply from nailer.
2. Using provided 4 mm wrench, remove the three shoe screws (see Figure 11).
3. Remove shoe plate; place new or alternate shoe. Make sure shoe is in the "UP" position when attaching.
4. Reattach screws, applying a good quantity of threadlock glue on screw threads before installing. Tighten firmly.

Plate Thickness	Flooring Thickness
1/4 inch	3/4 inch
5/16 inch	1/2 inch and 5/8 inch

Chart 1

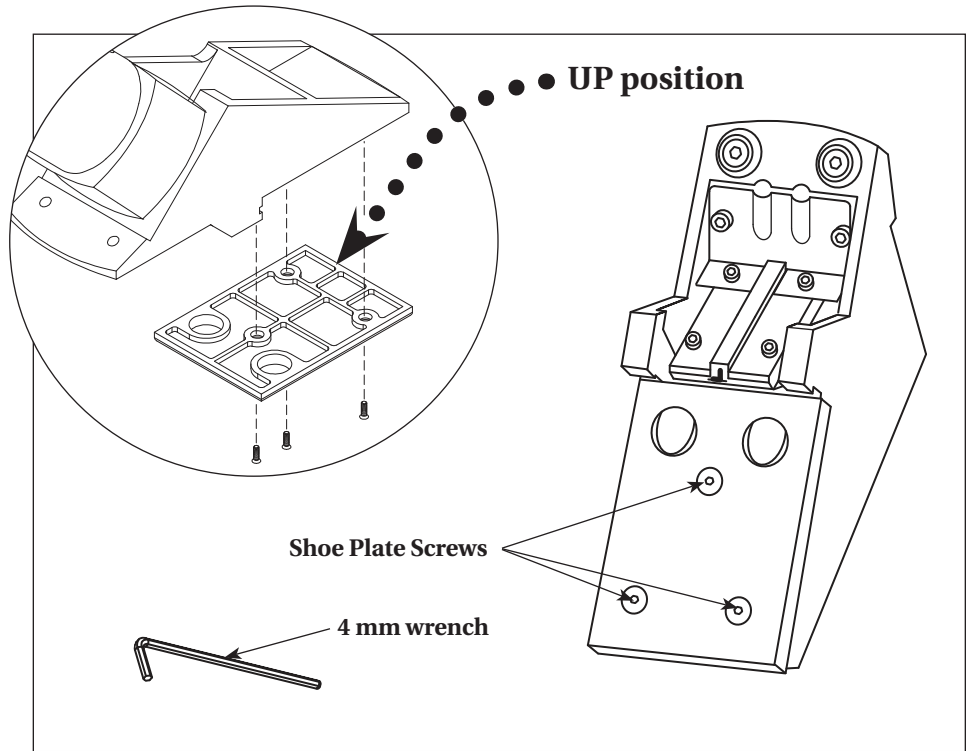


Figure 11 - UP position of shoe plate

**Set-Up**

**LUBRICATION**

This nailer requires lubrication before using the nailer for the first time and before each use. If an inline oiler is used, manual lubrication through the air inlet is NOT required on a daily basis.

**NOTICE** The work surface can become damaged by excessive lubrication. Proper lubrication is the owner's responsibility. Failure to lubricate the nailer properly will dramatically shorten the life of the nailer and void your warranty.

1. Disconnect the air supply from nailer.
2. Turn the nailer so the air inlet is facing up. Place 4-5 drops of 30 W non-detergent oil into air inlet (see Figure 12). Do NOT use detergent oils, oil additives, or air tool oils which contain solvents. This will damage the nailer's internal components.

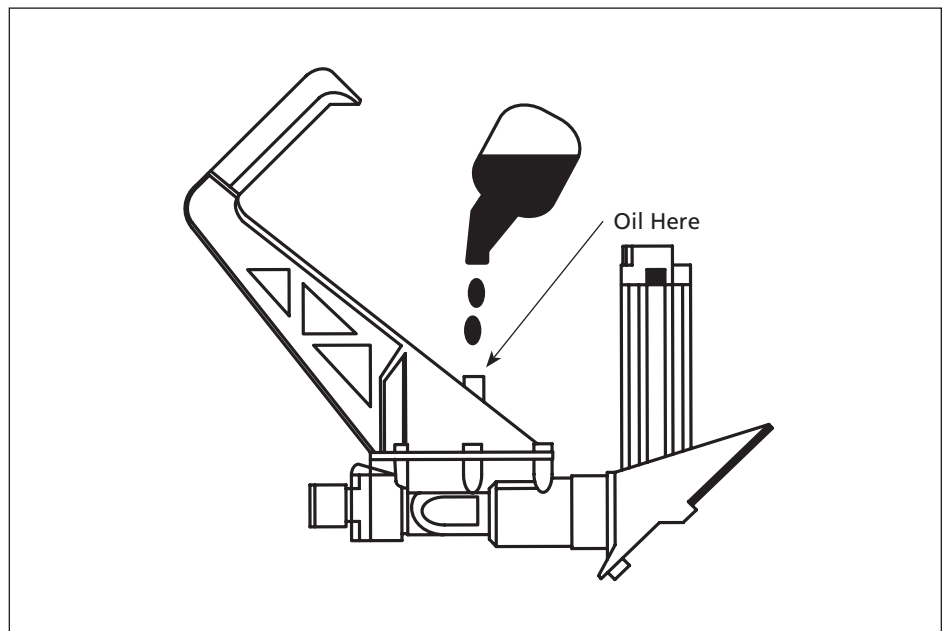


Figure 12 - Tip nailer to add oil

## Set-Up (Continued)

### MINIMUM COMPONENTS REQUIRED FOR HOOK-UP

**AIR COMPRESSOR:** The air compressor must be able to maintain a minimum of 70 psi when the nailer is being used. An inadequate air supply can cause a loss of power and inconsistent driving. See Chart 2.

**PRESSURE REGULATOR:** A pressure regulator is required to control the operating pressure of the nailer between 70 psi and 90 psi.

**AIR SUPPLY HOSE:** ALWAYS use air supply hoses with a minimum working pressure rating equal to or greater than the pressure from the power source, or 150 psi, whichever is greater. Use 1/4 inch air hose for runs up to 50 feet. Use 3/8 inch air hoses for 50 ft. run or longer (see Figure 14 and Chart 3).

### HOOK-UP INSTRUCTIONS FOR NAILER TO AIR SUPPLY

Figure 13 shows the recommended hookup for the nailer.

**NOTE:** For better performance, install a 3/8 inch quick plug (1/4 inch NPT threads) with an inside diameter of .315 inch (8 mm) on the nailer and a 3/8 inch quick coupler on the air hose.

1. With ON/OFF switch in OFF position, plug compressor into electrical outlet.
2. Close pressure regulator by turning all the way to the left. Turn compressor ON and let it pump all the way up to automatic shut-off pressure.
3. Attach air hose to regulator outlet. Adjust pressure regulator by turning to the right so that outlet pressure is between 70 psi to 90 psi.
4. Nailer requires lubrication before each use. Place 4-5 drops of 30 weight non-detergent oil in nailer at air inlet. It helps to tip nailer back in order to add oil (See Lubrication section on page 10).
5. Pull rubber bumper on nailer into UP position (see Figure 15).
6. Load fasteners into nailer (See Loading/Unloading the Nailer section on page 12). Follow flooring manufacturer's recommendation regarding length and type of fastener.
7. Point the nailer in a safe direction while attaching to air hose.
8. Nailer is ready for use. May need to adjust outlet pressure to achieve proper fastener depth. See page 14 for Fastener Depth and Placement.


	70 psi Minimum
	90 psi Maximum

Chart 2

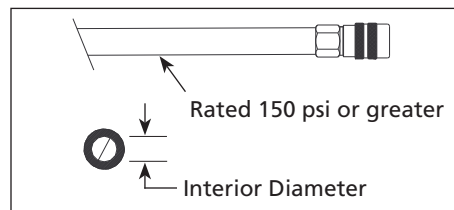


Figure 14 - Air Hose Requirements

AIR HOSE REQUIREMENTS	
DIAMETER	LENGTH OF RUN
1/4 inch	Less than 50 feet
3/8 inch	Greater than or equal to 50 feet

Chart 3

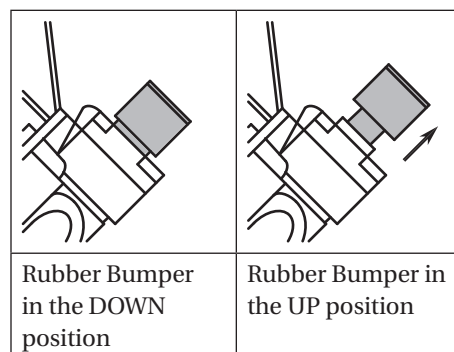


Figure 15 - Attach air hose with Rubber Bumper in UP position

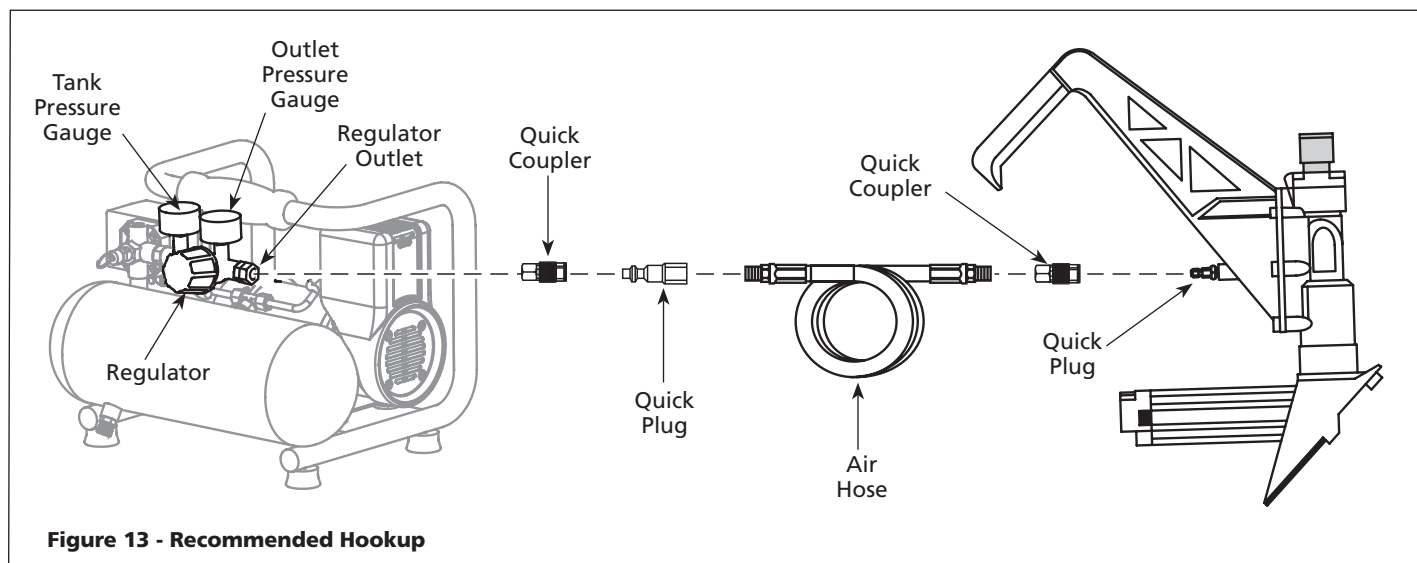


Figure 13 - Recommended Hookup

## Set-Up (Continued)

### Fastener Interchange Information

Fasteners used in the Campbell Hausfeld CHN50300 Flooring Nailer / Stapler will also work in the following brand units: Bostich, Porter Cable, Porta-nails, Primattech, Senco, Power Nail, Grip Rite, High Pro, B&C Eagle, Grizzly, and Craftsman.



Figure 16 - Press the lock and pull the magazine door



Figure 17 - Place STAPLES straddling the top of the magazine

### LOADING/UNLOADING THE NAILER

Always connect the tool to the air supply **before** loading fasteners. Choose which type of fastener you want to use for your project. Additional fasteners can be found at major home centers.

#### Loading the Staples

1. Hold the tool firmly, press the lock and pull the magazine (see Figure 16).
2. Place the staples straddling the top of the magazine (see Figure 17).
3. Push and lock the magazine door back in place (see Figure 18).

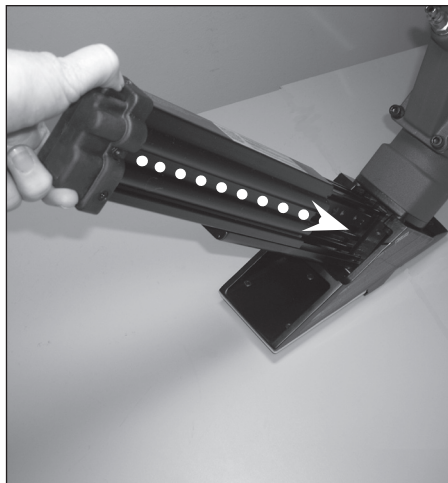


Figure 18 - Push the magazine closed

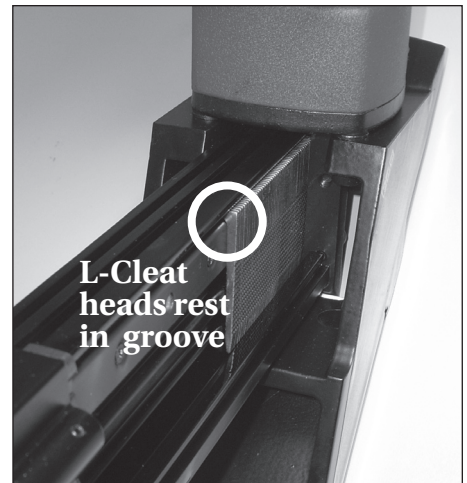


Figure 19 - The head of the L-CLEAT should rest on the groove of the fixed magazine

#### Loading the L-Cleats

1. Hold the tool firmly, press the lock and pull the magazine (see Figure 16).
2. Place the specified type and size of L-Cleats in the magazine from side. The head of the L-Cleats should be inserted into the notch on the fixed magazine (see Figure 19).
3. Push and lock the magazine door back in place (see Figure 18).

## Operation

### PROJECT MATERIALS LIST:

- ◆ Wood Flooring
- ◆ Flooring Fasteners (L-Cleats or staples)
- ◆ Finish Nails
- ◆ Underlayment
- ◆ Tape

### PROJECT TOOLS LIST:

- ◆ Flooring Nailer
- ◆ Finish Nailer
- ◆ Circular / Miter Saw
- ◆ Jig Saw
- ◆ Air Compressor
- ◆ Air Hose
- ◆ Drill
- ◆ Drill Bits
- ◆ 30 W Non-Detergent Oil
- ◆ Tack Hammer
- ◆ Pry Bar
- ◆ Utility Knife
- ◆ Tape Measure
- ◆ Tooth Hand Saw
- ◆ Carpenter's Square
- ◆ Pencil
- ◆ Chalk Line
- ◆ ANSI Z87 Eye Protection
- ◆ Small Tool For Clearing Jams
- ◆ Removeable Threadlock Glue

### RACKING THE FLOORING

(SEE FIGURES 20 AND 21)

Refer to flooring manufacturer's preparation procedures regarding moisture content and floor preparation before laying the flooring boards.

First refer to flooring manufacturer's preparation procedures regarding moisture content and floor preparation before laying the flooring boards.

To correctly install hardwood flooring, it must be properly racked before being nailed into place. After placing the first board, follow these instructions to rack the flooring:

1. Place flooring groove onto the tongue of previously installed board.
2. Use the rubber end of the mallet to "pop" the tongue into the groove (see Figure 20).
3. Use the metal end of the mallet to rack the board tightly against adjacent board. The metal end is tapered away from top of flooring to prevent unwanted damage to top surface (see Figure 21).

### FIRING THE NAILER

**NOTE:** Make sure the rubber bumper on the flooring nailer is in the up position before adding the air hose, if not, the nailer may cycle (see Figure 15).

1. Connect the air supply to the nailer.
2. Load fasteners (see Loading/Unloading the Nailer section).

**▲ DANGER** Do NOT fire the tool unless it is securely placed. If tool is not securely placed, there is a risk of flying fasteners that may cause death or serious injury.

**▲ WARNING** An improperly functioning tool must not be used. Do not actuate the tool unless the tool is placed firmly against the work piece.

3. Place the tool on the floor (see Figure 22) with the shoe plate resting on the racked floor board. Make sure the fastener ejection nozzle is firmly placed against the board tongue.

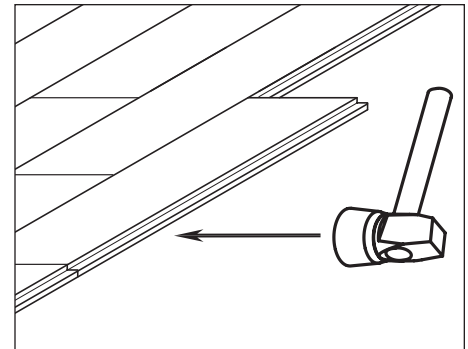


Figure 20 - "Pop" the tongue into the groove

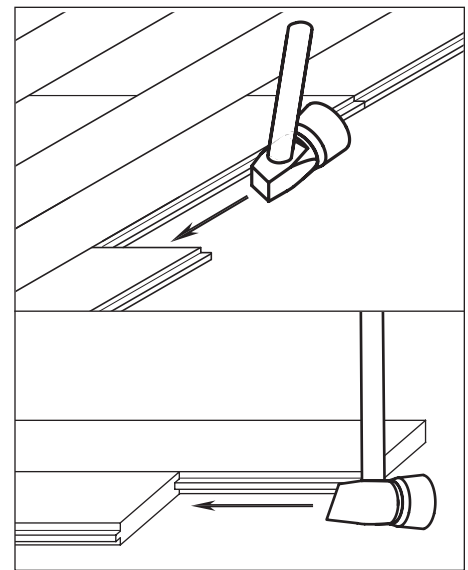


Figure 21 - Rack the board tightly against adjacent board

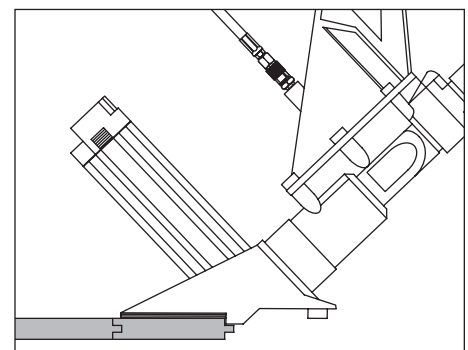


Figure 22 - Rest shoe plate on floor board



## Operation (Continued)

- Strike the tools rubber bumper firmly with the rubber end of the mallet. The tool should cycle and drive fastener into floor board.

### FASTENER DEPTH & PLACEMENT

Refer to *Figure 23* for correct depth placement of fasteners in hardwood tongue. Use a scrap piece of the flooring to help determine correct air pressure settings. Damage to the tongue upon installation will make remaining project difficult.

## Storage

The flooring nailer/stapler should be stored in a cool dry location.

## Maintenance

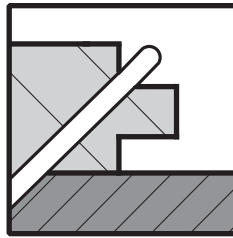
### CLEARING A JAM FROM THE NAILER (SEE FIGURE 24)

- Disconnect the air supply from the nailer.
- Remove staples or L-Cleats from magazine.
- Using provided 4 mm wrench, remove the four nose plate screws, washers, nose plate, and dust shield.
- Using a small tool, pick out the jammed fastener.
- Reattach all hardware (apply a good quantity of threadlock glue on screw threads before installing; tighten firmly).

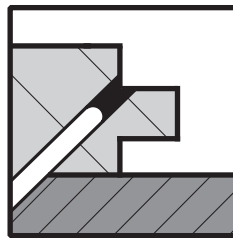
### NAILER REPAIR

Only qualified personnel should repair the tool and they should use genuine Campbell Hausfeld replacement parts and accessories, or parts and accessories which perform equivalently.

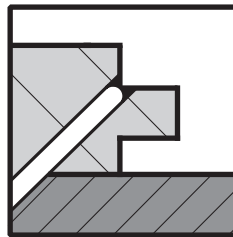
## Use A Scrap Piece Of Flooring To Determine Correct Air Pressure Settings.



Fastener seated High.  
Air Pressure set too LOW.



Fastener seated Low.  
Air Pressure set too HIGH.



Fastener seated Correctly.  
Air Pressure set CORRECTLY.

Figure 23 - Fastener depth

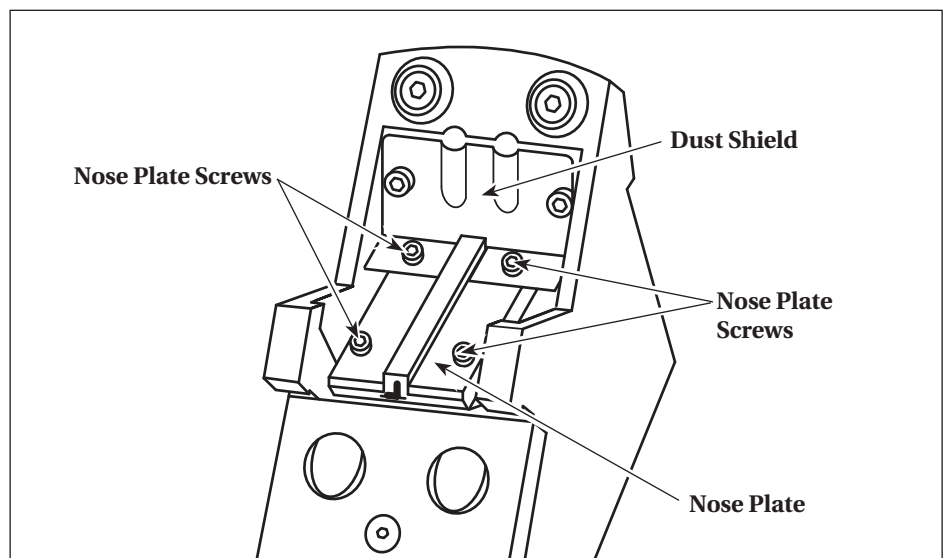


Figure 24 - The underside of the flooring nailer

## Maintenance (Continued)

### REPLACEMENT PARTS

**▲ WARNING** *Use only genuine Campbell Hausfeld service parts. Tool performance, safety and durability could be reduced if improper parts are used. When ordering replacement parts, specify by part number.*

### ASSEMBLY PROCEDURE FOR SEALS

When repairing a nailer, the internal parts must be cleaned and lubricated. Parker O-lube or equivalent must be used on all o-rings. Each o-ring must be coated with O-lube before assembling. A small amount of oil must be used on all moving

surfaces and pivots. After reassembling, a few drops of 30W non-detergent oil or equivalent, must be added through the air line before testing.

### TECHNICAL SERVICE

For information regarding the operation or repair of this product, please call 1-800-543-6400.

## Troubleshooting Guide

**▲ WARNING** *Stop using nailer immediately if any of the following problems occur. Serious personal injury could result. Any repairs or replacements must be done by a Qualified Service Person or Authorized Service Center.*

SYMPTOM	CAUSE	SOLUTION
Lack of power; slow to cycle.	<ol style="list-style-type: none"> <li>1. Tool is too dry</li> <li>2. Air pressure is low</li> <li>3. Exhaust is blocked</li> </ol>	<ol style="list-style-type: none"> <li>1. Add lubricant</li> <li>2. Check air supply equipment</li> <li>3. Clean exhaust</li> </ol>
Shooting no fastener or intermittent feeding	<ol style="list-style-type: none"> <li>1. Damaged pusher spring</li> <li>2. Wrong size fastener is being used</li> <li>3. Magazine or wear plate is dirty</li> </ol>	<ol style="list-style-type: none"> <li>1. Replace spring</li> <li>2. Use standard fasteners</li> <li>3. Clean magazine and nose</li> </ol>
Fastener jammed in tool	<ol style="list-style-type: none"> <li>1. Driver channel is worn</li> <li>2. Driver is broken or worn</li> <li>3. Fasteners are bent</li> </ol>	<ol style="list-style-type: none"> <li>1. Replace wear plate</li> <li>2. Replace driver</li> <li>3. Use standard fasteners</li> </ol>

## For Replacement Parts or Technical Assistance, Call 1-800-543-6400

Please provide following information:

- Model number
- Serial number (if any)
- Part description and number as shown in parts list

Address any correspondence to:

Campbell Hausfeld  
Attn: Customer Service  
100 Production Drive  
Harrison, OH 45030 U.S.A.

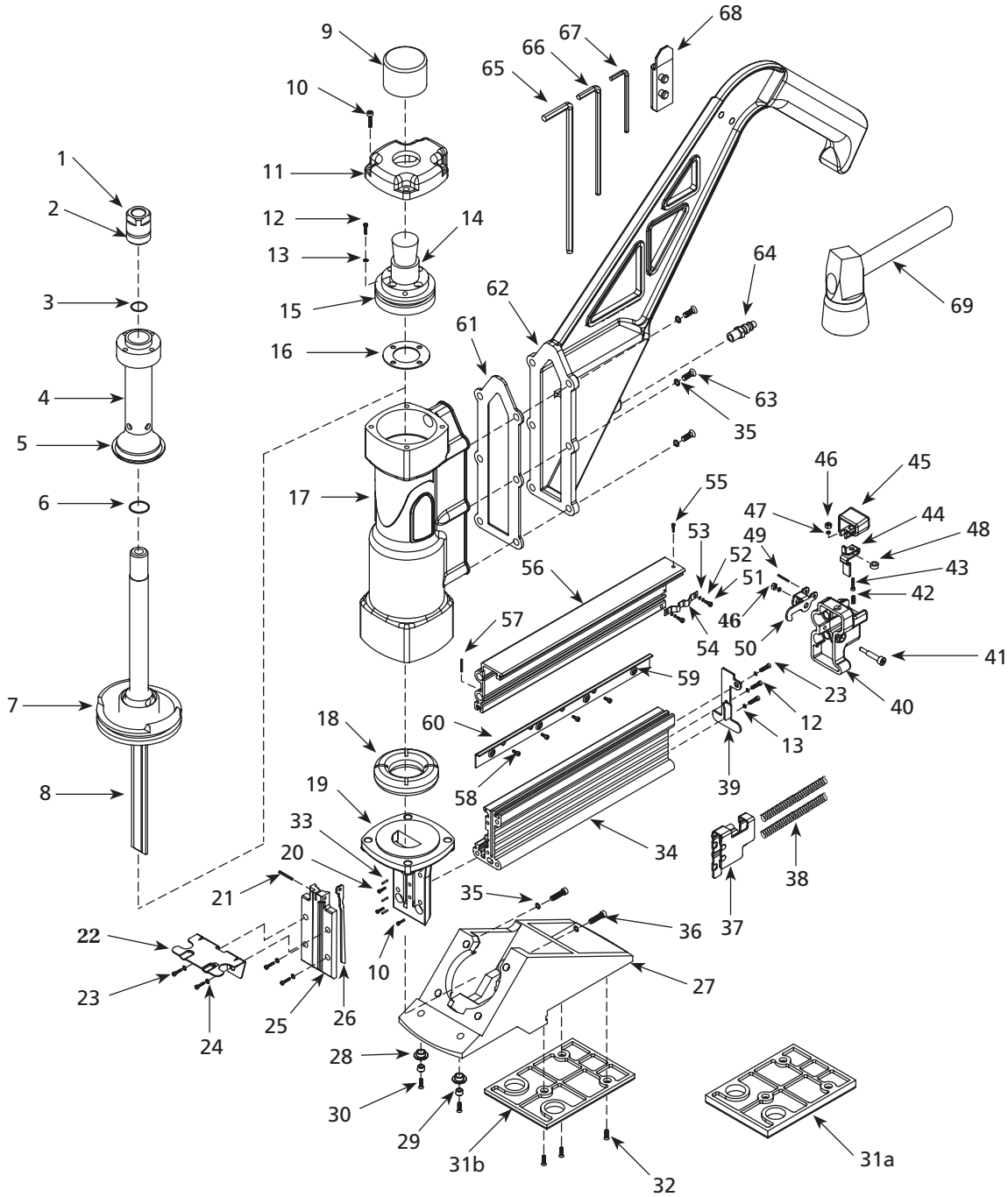


Figure 25 – Repair Parts Illustration for Air Powered Flooring Nailer / Stapler, model CHN50300AV

## Replacement Parts List for Flooring Nailer/Stapler

Ref. No.	Description	Part No.	Qty.	Ref. No.	Description	Part No.	Qty.
1	Piston head	SX140100AV	1	40	Magazine end cap	SX144100AV	1
2	O-ring - 19.2 x 1.8	▲	1	41	Screw	★	1
3	O-ring - 15.9 x 1.8	▲	1	42	Spring	SX144300AV	1
4	Valve cylinder	SX140400AV	1	43	Screw - M4 x 16	★	1
5	O-ring - 42.5 x 5.4	▲	1	44	Limiter plate	SX144500AV	1
6	O-ring - 17.5 x 2.6	▲	1	45	Magazine latch button	SX144600AV	1
7	O-ring - 57.4 x 3.5	▲	1	46	Nut - M4	★	1
8	Piston assembly	SX140800AV	1	47	Washer	★	1
9	Rubber head	SX140900AV	1	48	Bushing	SX144900AV	1
10	Screw - M5 x 20	★	1	49	Spring pin - 3 x 12	★	1
11	Head cap	SX141100AV	1	50	Magazine latch hook	SX145100AV	1
12	Screw - M4 x 20	★	1	51	Screw - M3 x 5	★	1
13	Spring washer	★	1	52	Washer	★	1
14	Actuator	SX141400AV	1	53	Spring washer	★	1
15	O-ring - 54.2 x 3.5	▲	1	54	Leaf spring	SX145500AV	1
16	Seal	▲	1	55	Screw - M3 x 8	★	1
17	Body	--	1	56	Magazine door	SX145700AV	1
18	Bumper	SX141800AV	1	57	Spring pin - 2.5 x 10	★	1
19	Nose	SX141900AV	1	58	Screw - M3 x 6	★	1
20	Screw - M3 x 20	★	1	59	Magnet	SX146000AV	3
21	Spring pin - 3 x 14	★	1	60	Rail	SX146100AV	1
22	Dust shield	SX142200AV	1	61	Gasket	SX146200AV	1
23	Screw - M5 x 14	★	1	62	Arm	--	1
24	Spring washer	★	1	63	Screw - M6 x 25	★	1
25	Blade guide	SX142500AV	1	64	Air plug	★	1
26	Cleat guide	SX142600AV	1	65	5 mm Wrench	■	1
27	Shoe	--	1	66	4 mm Wrench	■	1
28	Rubber foot	SX142800AV	2	67	3 mm Wrench	■	1
29	Bushing	SX142900AV	1	68	Wrench holder	■	1
30	Screw - M6 x 16	★	1	69	Hammer	SX147000AV	1
31a	Shoe plate (thick) 5/16 inch	SX143100AV	1	<b>REPLACEMENT PARTS KITS</b>			
31b	Shoe plate (thin) 1/4 inch	SX143200AV	1	▲	Complete o-ring kit	SKN09100AV	
32	Screw - M6 x 12	★	1	■	Wrench kit	SKN09200AV	
33	Spring pin - 2 x 14	★	1	★	Standard hardware item - available at your local hardware store		
34	Magazine	SX143500AV	1				
35	Spring washer	★	1				
36	Screw - M6 x 35	★	1				
37	Pusher	SX143800AV	1				
38	Pusher spring	SX143900AV	2				
39	Magazine end plate	SX144000AV	1				

**Reminder:** *Keep your dated proof of purchase for warranty purposes! Attach it to this manual or file it for safekeeping.*

---

## Warranty

1. **DURATION:** From the date of purchase by the original purchaser as follows: Standard Duty Products - One Year, Serious Duty Products - Two Years, Extreme Duty Products - Three Years.
2. **WHO GIVES THIS WARRANTY (WARRANTOR):** Campbell Hausfeld / Scott Fetzer Company, 100 Production Drive, Harrison, Ohio, 45030, Telephone: (800) 543-6400
3. **WHO RECEIVES THIS WARRANTY (PURCHASER):** The original purchaser (other than for purposes of resale) of the Campbell Hausfeld product.
4. **WHAT PRODUCTS ARE COVERED BY THIS WARRANTY:** Any Campbell Hausfeld nailer, stapler, air tool, spray gun, inflator or air accessory supplied or manufactured by Warrantor.
5. **WHAT IS COVERED UNDER THIS WARRANTY:** Substantial defects in material and workmanship which occur within the duration of the warranty period.
6. **WHAT IS NOT COVERED UNDER THIS WARRANTY:**
  - A. Implied warranties, including those of merchantability and FITNESS FOR A PARTICULAR PURPOSE ARE LIMITED FROM THE DATE OF ORIGINAL PURCHASE AS STATED IN THE DURATION. If this product is used for commercial, industrial or rental purposes, the warranty will apply for ninety (90) days from the date of purchase. Some States do not allow limitation on how long an implied warranty lasts, so the above limitations may not apply to you.
  - B. ANY INCIDENTAL, INDIRECT, OR CONSEQUENTIAL LOSS, DAMAGE, OR EXPENSE THAT MAY RESULT FROM ANY DEFECT, FAILURE, OR MALFUNCTION OF THE CAMPBELL HAUSFELD PRODUCT. Some States do not allow the exclusion or limitation of incidental or consequential damages, so the above limitation or exclusion may not apply to you.
  - C. Any failure that results from an accident, purchaser's abuse, neglect or failure to operate products in accordance with instructions provided in the owner's manual(s) supplied with product. Accident, purchaser's abuse, neglect or failure to operate products in accordance with instructions shall also include the removal or alteration of any safety devices. If such safety devices are removed or altered, this warranty is void.
  - D. Normal adjustments which are explained in the owner's manual(s) provided with the product.
  - E. Items or service that are normally required to maintain the product, i.e. o-rings, springs, bumpers, debris shields, driver blades, fuses, batteries, gaskets, packings or seals, fluid nozzles, needles, sandblast nozzles, lubricants, material hoses, filter elements, motor vanes, abrasives, blades, cut-off wheels, chisels, chisel retainers, cutters, collets, chucks, rivet jaws, screw driver bits, sanding pads, back-up pads, impact mechanism, or any other expendable part not specifically listed. These items will only be covered for ninety (90) days from date of original purchase. Underlined items are warranted for defects in material and workmanship only.
7. **RESPONSIBILITIES OF WARRANTOR UNDER THIS WARRANTY:** Repair or replace, at Warrantor's option, products or components which are defective, have malfunctioned and/or failed to conform within duration of the warranty period.
8. **RESPONSIBILITIES OF PURCHASER UNDER THIS WARRANTY:**
  - A. Provide dated proof of purchase and maintenance records.
  - B. Deliver or ship the Campbell Hausfeld product or component to the nearest Campbell Hausfeld Authorized Service Center. Freight costs, if any, must be borne by the purchaser.
  - C. Use reasonable care in the operation and maintenance of the products as described in the owner's manual(s).
9. **WHEN WARRANTOR WILL PERFORM REPAIR OR REPLACEMENT UNDER THIS WARRANTY:** Repair or replacement will be scheduled and serviced according to the normal work flow at the servicing location, and depending on the availability of replacement parts.

This Limited Warranty applies in the United States, Canada and Mexico only and gives you specific legal rights. You may also have other rights which vary from state to state or country to country.





# *Cloueuse/ agrafeuse de plancher pneumatique*

Instructions d'Utilisation et Manual de Pièces

**CHN50300**



ENGLISH: Page 1  
ESPAÑOL: Página 37

IN715201AV 8/08

## Table des Matières

---

Description . . . . .	F-21	Set-Up . . . . .	F-28
Spécifications . . . . .	F-21	Graissage . . . . .	F-28
Directives de Sécurité . . . . .	F-22	Minimum Components Required For Hook-up . . . . .	F-29
Safety Symbols . . . . .	F-22	Hook-up Instructions For Nailer To Air Supply . . . . .	F-29
Importantes Instructions De Sécurité . . . . .	F-22	Air Hose Requirements . . . . .	F-29
Instructions Portant Sur Un Risque d'Incendie, Un Choc Électrique Ou Des Blessures Aux Personnes . . . . .	F-22	Chargement/Déchargement de la Cloueuse . . . . .	F-30
Proposition 65 de Californie . . . . .	F-22	Chargement des Agrafes . . . . .	F-30
Généralité : . . . . .	F-22	Chargement des Clous Barbelés en L . . . . .	F-30
Aire de travail . . . . .	F-22	Fonctionnement . . . . .	F-31
Sécurité personnelle . . . . .	F-23	Project Materials List: . . . . .	F-31
Utilisation et entretien de l'outil . . . . .	F-23	Project Tools List: . . . . .	F-31
Service . . . . .	F-24	Monter le Parquet . . . . .	F-31
Source d'air . . . . .	F-24	Utiliser la Cloueuse . . . . .	F-31
Déballage . . . . .	F-25	Profondeur et Placement des Attaches . . . . .	F-32
Contents in the Plastic Carrying Case . . . . .	F-25	Entreposage . . . . .	F-32
Additional Items Not Included . . . . .	F-25	Entretien . . . . .	F-32
Glossary . . . . .	F-26	Déblocage de la Cloueuse . . . . .	F-32
Getting To Know Your Flooring Nailer/Stapler Like A Pro . . . . .	F-27	Réparation de la Cloueuse . . . . .	F-33
Recommended Uses for this Flooring Nailer/Stapler . . . . .	F-27	Pièces de Rechange . . . . .	F-33
Assembly . . . . .	F-27	Procédure d'Assemblage pour les Joints . . . . .	F-33
Tailles de Plaques de Semelles . . . . .	F-28	Service Technique . . . . .	F-33
Tools Required for Changing Shoe Plates . . . . .	F-28	Troubleshooting Guide . . . . .	F-33
Changer les Plaques de Semelles . . . . .	F-28	Replacement Parts List for Flooring Nailer/Stapler . . . . .	F-35
		Garantie Limitée . . . . .	F-36

---

### For parts, product and service information

**APPELER:** Service à la clientèle au 1-800-543-6400

**ADRESSER TOUTE CORRESPONDANCE À :** Campbell Hausfeld  
Attn: Customer Service  
100 Production Drive  
Harrison, OH 45030 U.S.A.

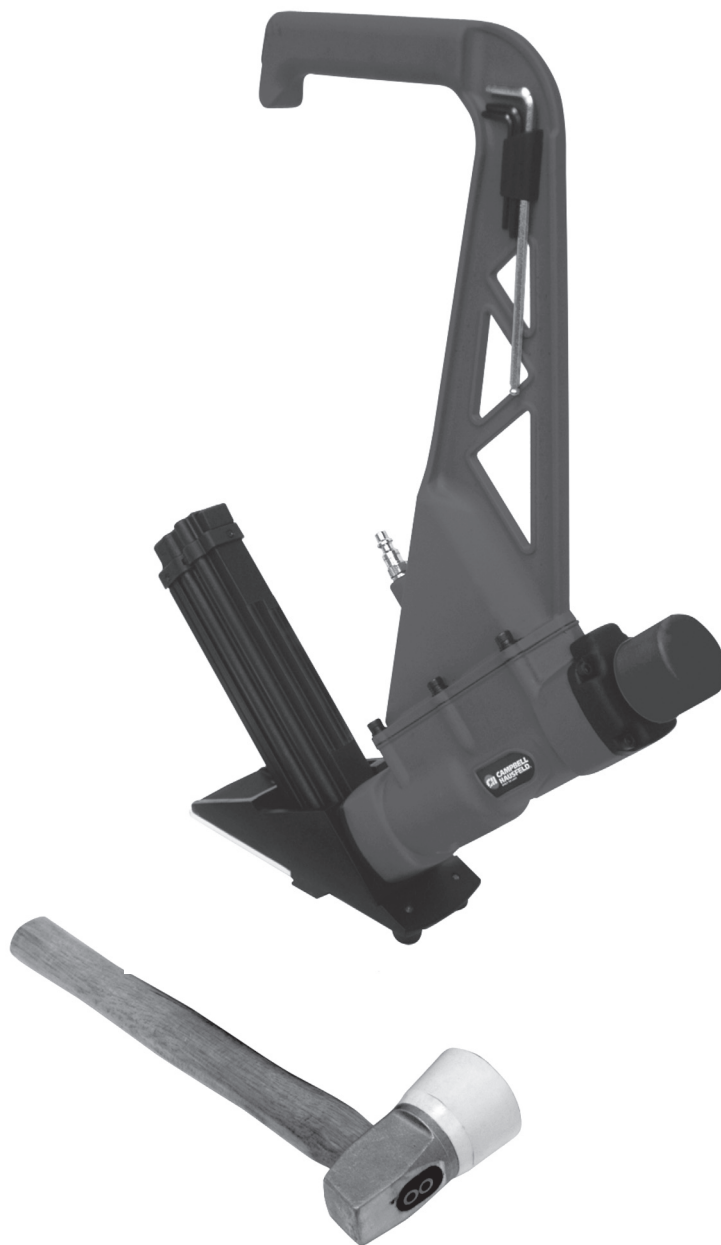


# Cloueuse / agrafeuse de parquet



## Description

Cette cloueuse/agrafeuse de plancher est conçue pour l'installation de parquet de bois dur non fini et préfini de 1/2 po à de 3/4 po d'épaisseur. Il faut être prudent pour ne pas endommager le fini avec l'outil..



## Spécifications

### Modèle CHN50300

**Exigences :** 0,7 PCNM en moyenne utilisant 10 attaches à la minute à 621 kPa

**Prise d'air :** 1/4 po NPT

### Tailles de clous :

- Clous barbelés en L de 1 1/2 à 2 po, calibre 16
- Agrafes à couronne de parquet de 1 1/2 à 2 po, 12 mm

**Capacité du chargeur :** 100 attaches

**Poids :** 4,54 kg

**Longueur :** 41,91 cm (16,5 po)

**Hauteur :** 58,42 cm (23 po)

**Pression Maximale :** 620 kPa

### Gamme de Pression :

482 kPa - 620 kPa

Trouver le numéro de modèle sur le chargeur et le code de date sur le corps de l'outil et les inscrire plus bas.

N° du Modèle : \_\_\_\_\_

Code Date : \_\_\_\_\_

Conserver ces numéros comme référence.

Figure 1 - CHN50300 Cloueuse / agrafeuse de parquet

## Directives de Sécurité

Ce manuel contient de l'information très importante qui est fournie pour la SÉCURITÉ et pour ÉVITER LES PROBLÈMES D'ÉQUIPEMENT. Rechercher les symboles suivants pour cette information.

**▲ DANGER** Danger indique une situation dangereuse imminente qui MÈNERA à la mort ou à des blessures graves si elle n'est pas évitée.

**▲ AVERTISSEMENT** Avertissement indique une situation potentiellement dangereuse qui, si elle n'est pas évitée, POURRAIT mener à la mort ou à de graves blessures.

**▲ ATTENTION** Attention indique une situation potentiellement dangereuse qui, si elle n'est pas évitée, PEUT mener à des blessures mineures ou modérées.

**AVIS** Avis indique de l'information importante qui pourrait endommager l'équipement si elle n'est pas respectée.

**IMPORTANT :** Information qui exige une attention spéciale.

## Symboles de sécurité

Les symboles de sécurité suivants apparaissent dans l'ensemble de ce manuel pour vous aviser des dangers et précautions importants de sécurité.



Porter une protection oculaire et un masque.



Lire le manuel d'abord



Risque d'explosion



Risque de tomber



Porter une protection oculaire.



Porter une protection auditive



Risque de blessure

## Importantes Instructions De Sécurité

### Instructions Portant Sur Un Risque d'Incendie, Un Choc Électrique Ou Des Blessures Aux Personnes

Ce manuel contient des informations concernant la sécurité, le fonctionnement et l'entretien. Si vous avez des questions, appeler le 1-800-543-6400 pour le service à la clientèle.

**▲ AVERTISSEMENT**

En utilisant les outils, il faut suivre les précautions de base, y compris ce qui suit :

### PROPOSITION 65 DE CALIFORNIE

**▲ AVERTISSEMENT**

Ce produit ou son cordon peuvent contenir des produits chimiques qui, de l'avis de l'État de Californie, causent le cancer et des anomalies congénitales ou autres problèmes de reproduction. Lavez-vous les mains après la manipulation.

**▲ AVERTISSEMENT**

Vous pouvez créer de la poussière en coupant, ponçant, perçant ou meulant les matériaux tels que le bois, la peinture, le métal, le béton, le ciment ou autre maçonnerie. Cette poussière contient souvent des produits chimiques reconnus pour causer le cancer, les déformations congénitales



### GÉNÉRALITÉ :

- Pour réduire les risques de chocs électriques, d'incendie ou de blessures aux personnes, lire toutes les instructions avant d'utiliser l'outil. Ne pas suivre les avertissements, les dangers et les mises en garde pourrait causer la MORT ou de GRAVES BLESSURES.
- Se familiariser avec ce produit, ses commandes et son utilisation. Suivez toutes les instructions. Contacter votre représentant Campbell Hausfeld si vous avez des questions.
- Seules les personnes familières avec ces règles d'utilisation sans danger devraient utiliser cette unité.



**▲ AVERTISSEMENT**

Ne pas utiliser la cloueuse ni permettre qu'une autre personne l'utilise si les avertissements ou les étiquettes d'avertissement situés sur le chargeur et corps de la cloueuse ne sont pas lisibles.

**▲ AVERTISSEMENT**

Toujours prendre pour acquis que la cloueuse contient des clous. Respecter l'outil comme accessoire de travail non pas un jouet. Donc aucun jeu brutal. Toujours garder les autres personnes à une distance de sécurité de l'aire de travail en cas de décharge accidentelle des clous. Ne pas pointer l'outil vers vous ou vers quelqu'un d'autre qu'il y ait ou non des attaches dans la cloueuse. Le déclenchement accidentel de la cloueuse pourrait causer la mort ou de graves blessures.

**▲ ATTENTION**

Ne pas apporter de modifications à l'outil sans d'abord obtenir une approbation écrite de Campbell Hausfeld. N'utilisez pas une cloueuse si les écrans ou protecteurs ont été enlevés ou altérés. Ne pas utiliser la cloueuse comme un marteau. Cela peut entraîner des blessures ou endommager l'appareil.

**AVIS**

Nettoyer et vérifier tous les tuyaux et raccords avant de brancher la cloueuse au compresseur d'air. Remplacer les tuyaux ou les raccords endommagés ou usés, sinon, le rendement et la durabilité de l'outil seront affectés.

### AIRE DE TRAVAIL

- Garder l'aire de travail propre et bien éclairée. Les établis encombrés et les coins sombres augmentent les risques de chocs électriques, d'incendie et de blessures aux personnes.
- Ne pas faire fonctionner l'outil dans une atmosphère explosive comme en présence de liquides, gaz ou poussières inflammables. L'outil peut produire des étincelles menant à une inflammation de poussières ou de fumées.
- Garder les spectateurs, les enfants et les visiteurs loin en utilisant l'outil. Les distractions peuvent faire perdre le contrôle de l'outil.





## Importantes Instructions De Sécurité (Suite)

### SÉCURITÉ PERSONNELLE

a. **Rester vigilant. Il faut regarder ce que vous faites et utiliser son sens commun en faisant fonctionner un outil. Ne pas faire fonctionner l'appareil si vous êtes fatigué ou sous l'influence de drogues, d'alcool ou de médicaments.** Un moment d'inattention en faisant fonctionner l'outil augmente le risque de blessures.

b. **Il faut s'habiller correctement. Ne pas porter de bijoux ou de vêtements amples. Attacher les cheveux longs. Garder les cheveux, les vêtements et les gants loin des pièces mobiles.** Les vêtements amples, les bijoux ou les cheveux longs augmentent le risque de blessures si quelque chose se prend dans les pièces mobiles.

c. **Éviter tout démarrage accidentel. S'assurer que le butoir de caoutchouc est relevé avant de brancher l'alimentation d'air.**

d. **Ne pas trop se pencher. Garder bon pied et bon équilibre en tout temps.** Ceci permet d'avoir un meilleur contrôle de l'outil dans les situations imprévues.



e. **Utiliser l'équipement de sécurité.** Il faut utiliser un masque antipoussières, des souliers de sécurité antidérapants et un casque de protection appropriés pour les conditions en cours.

#### ⚠ AVERTISSEMENT

*S'assurer que l'outil est utilisé seulement lorsque l'opérateur et tout autre personnel dans l'aire de travail portent un équipement de protection oculaire ANSI Z87 et, s'il y a lieu, d'autre équipement de protection approprié tel que de l'équipement de protection pour la tête, les oreilles et les pieds. Il pourrait y avoir de graves lésions oculaires ou perte auditive.*



f. **Toujours porter une protection auditive en utilisant l'outil.** Toute exposition prolongée à des bruits de forte intensité pourrait provoquer une perte auditive.



g. **Ne pas attacher le boyau d'air ou l'outil à votre corps.** Fixer le boyau à la structure pour réduire le risque de perte d'équilibre si le boyau se déplace.



h. **Toujours assumer que l'outil contient des attaches.** Ne pas pointer l'outil vers soi ou vers quelqu'un d'autre qu'il y ait des attaches ou non.

#### ⚠ AVERTISSEMENT

*Ne pas échapper ni jeter l'outil car ceci peut causer du dommage le rendant dangereux à utiliser. Si l'outil s'est fait échappé ou jeté, l'examiner soigneusement afin de déterminer s'il est courbé, fendu ou s'il y a des fuites ou pièces détachées endommagées. ARRÊTER et réparer avant d'utiliser, sinon, il y a risque de blessures graves.*

#### ⚠ ATTENTION

*Éviter d'utiliser la cloueuse pour une période de temps prolongée. Cesser d'utiliser la cloueuse si l'on ressent des douleurs dans les mains ou dans les bras.*

### UTILISATION ET ENTRETIEN DE L'OUTIL

a. **Ne pas forcer l'outil. Utiliser le bon outil pour l'application.** Le bon outil effectuera le meilleur travail sécuritaire au rythme pour lequel il a été conçu.

#### ⚠ AVERTISSEMENT

*Débrancher l'outil de la source d'air avant tout ajustement, entretien de l'outil, déblocages, avant de toucher l'étrier de sécurité, avant de quitter l'aire de travail, de charger ou de décharger l'outil. De telles mesures de précautions réduisent le risque de blessures.*

b. **Ranger l'outil lorsqu'il n'est pas utilisé hors de portée des enfants et autres personnes non formées.** Un outil est dangereux dans les mains d'utilisateurs non formés.

c. **Il faut entretenir l'outil avec soin.** Un outil bien entretenu réduit le risque de problèmes et est plus facile à contrôler.

d. **Utiliser seulement les attaches indiquées dans la section « Information sur les attaches interchangeables » de la page 30.** Les attaches non identifiées pour une utilisation avec cet outil par le fabricant de l'outil pourraient mener à des risques de blessures pour les personnes ou des dommages à l'outil si utilisées dans cet outil.

#### ⚠ DANGER

*S'assurer que l'outil est bien positionné avant le dégagement (voir la section Fonctionnement, page 31.) Si l'outil n'est pas bien positionné, il y a le risque que l'éjection accidentelle des attaches puisse causer la mort ou de blessures graves.*

#### ⚠ DANGER

*S'assurer que la tête du maillet soit bien installée sur le manche. Ne pas utiliser si la tête n'est pas bien installée. Une tête non sécuritaire pourrait s'envoler et mener à des blessures graves ou à la mort.*

#### ⚠ AVERTISSEMENT

*Toujours débrancher l'outil de la source de courant lorsqu'il est sans supervision, pour effectuer son entretien ou des réparations, pour débloquer, charger, décharger ou déplacer l'outil vers un nouvel endroit.*

#### ⚠ AVERTISSEMENT

*Toujours installer un raccord ou un tuyau de raccord sur ou près de l'outil afin que tout air comprimé de l'outil soit déchargé au moment où l'on débranche le raccord ou le boyau. Ne pas utiliser un clapet ni autre raccord qui permet que l'air reste dans la cloueuse. Cela peut entraîner des blessures graves ou mortelles. Voir Figure 2.*

#### ⚠ AVERTISSEMENT

*Ne jamais transporter la cloueuse par le tuyau à air. Ne jamais tirer sur le tuyau pour déplacer la cloueuse ou le compresseur. Garder le tuyau à air à l'écart de la chaleur, l'huile et les objets pointus. Remplacer les tuyaux endommagés, faibles ou usés. Sinon, il y a risque de blessures personnelles ou de dommage à l'outil. Voir Figure 3.*

#### ⚠ AVERTISSEMENT

*Ne jamais enfoncer les clous un pardessus l'autre. Le clou pourrait ricocher et causer la mort ou une blessure grave de perforation. Voir Figure 4.*



## Importantes Instructions De Sécurité (Suite)

### ATTENTION

*Ne pas placer l'outil sur le parquet préfini d'une manière inappropriée. Mal placer l'outil pourrait marquer ou endommager le parquet.*

### AVIS

*Toujours utiliser l'extrémité de caoutchouc du maillet seulement pour frapper le butoir de caoutchouc. Utiliser l'extrémité de métal pourrait endommager l'outil. Cette extrémité ne doit être utilisée que pour monter les lames de parquet.*

### AVIS

*Éviter d'utiliser la cloueuse lorsque le chargeur est vide. Sinon, il y a risque d'usure accélérée de l'outil.*

### SERVICE

- Tout le travail d'entretien et de réparation doit être effectué seulement par un personnel de réparation qualifié.**
- En réparant ou faisant l'entretien d'un outil, utiliser seulement des pièces de rechange identiques. Utiliser seulement des pièces autorisées.**
- Utiliser seulement les lubrifiants fournis avec l'outil ou spécifiés par le fabricant.**

### SOURCE D'AIR

- Ne jamais brancher à une source d'air pouvant dépasser 1379 kPa.** Une surpression de l'outil peut mener à un éclatement, une opération anormale, un bris de l'outil ou de graves blessures. Utiliser seulement de l'air comprimé propre, sec, contrôlé à une pression nominale ou dans la plage de pression nominale tel qu'indiqué sur l'outil. Toujours vérifier avant d'utiliser l'outil que la source d'air est ajustée à la pression d'air nominale ou dans la plage de pression d'air nominale.
- Ne jamais utiliser d'oxygène, de dioxyde de carbone, de gaz combustible ou tout gaz en bouteille comme source d'air de l'outil.** De tels gaz peuvent exploser et provoquer de graves blessures.

### AVIS

*Le compresseur d'air utilisé avec cette cloueuse doit conformer aux exigences établies par l'American National Standards Institute Standard B19.3-1991; Safety Standard for Compressors for Process Industries. Contacter le fabricant du compresseur pour plus d'informations.*

### AVIS

*Il faut lire tous les avertissements, les procédures et les instructions du FABRICANT DU parquet avant d'utiliser cet outil. il faut suivre d'abord l'information fournie par le fabricant du parquet*

**CONSERVER CES INSTRUCTIONS  
NE LES JETEZ PAS**

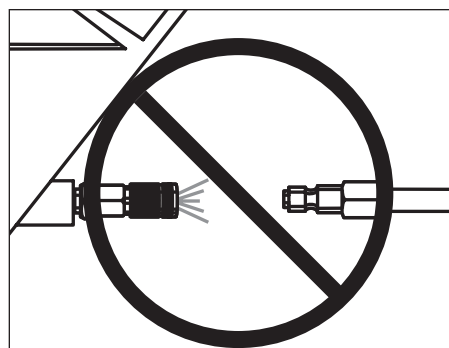


Figure 2

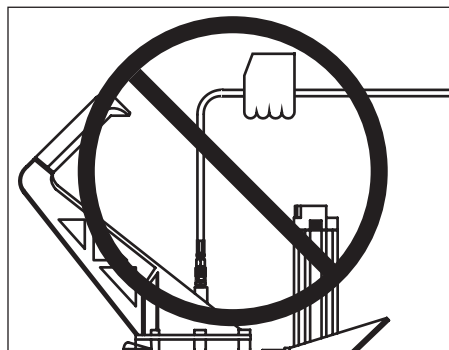


Figure 3 - Ne pas transporter la cloueuse par le tuyau à air

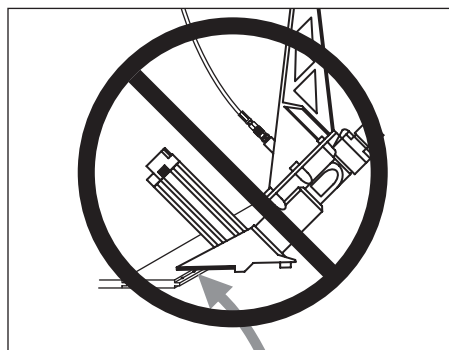


Figure 4

Les symboles **DANGER**, **AVERTISSEMENT**, **ATTENTION** ET **AVIS** ainsi que les instructions de ce manuel ne peuvent pas couvrir toutes les conditions et situations qui pourraient se produire. L'opérateur doit comprendre que le bon sens et des précautions sont des facteurs qui ne peuvent pas être inclus dans ces produits, mais doivent être fournis par l'opérateur.

## Déballage

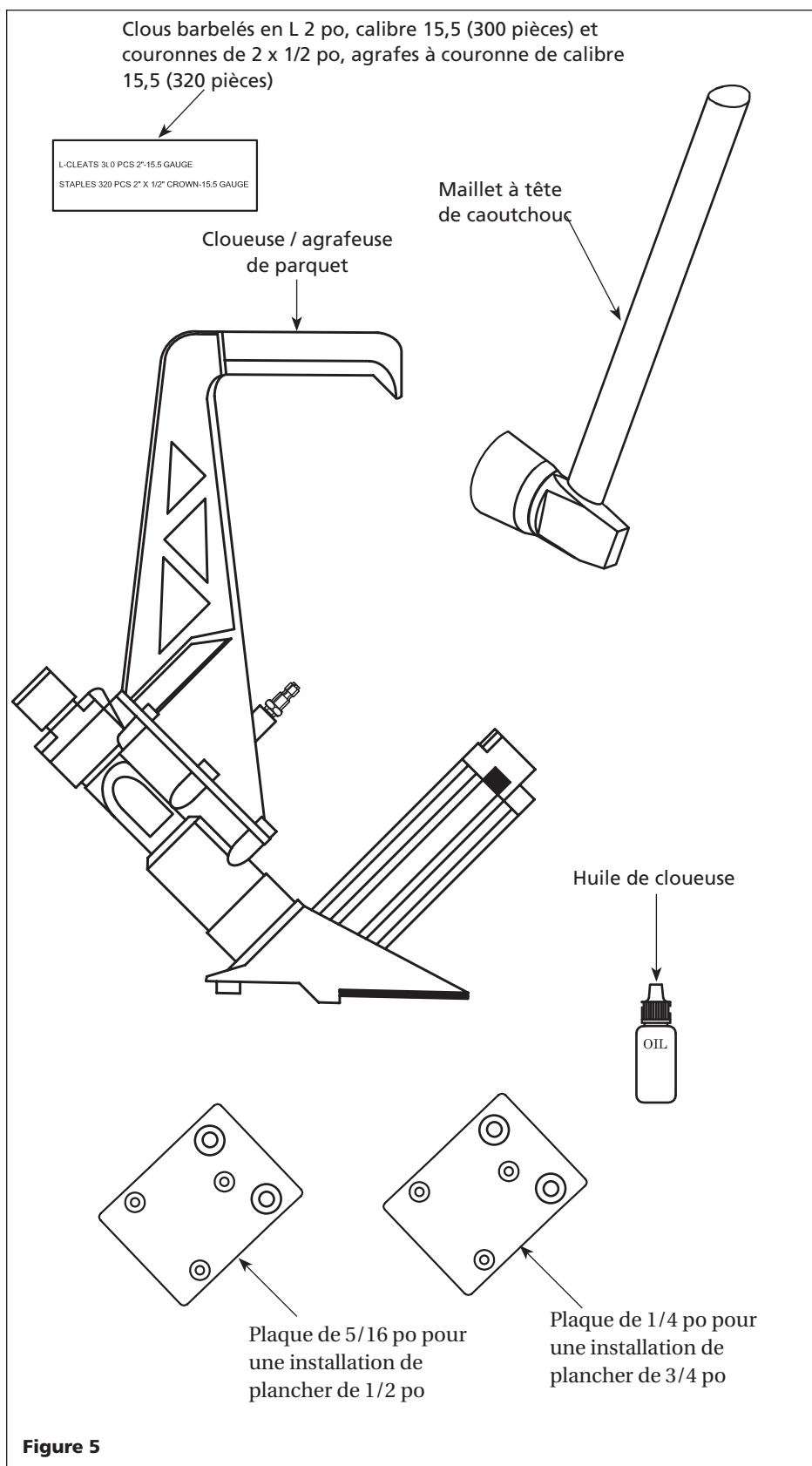


Figure 5

Dès que l'appareil est déballé, l'inspecter attentivement pour tout signe de dommages en transit. Vérifier s'il y a des pièces desserrées, manquantes ou endommagées. S'assurer de resserrer tous les raccords, boulons, etc. avant de le mettre en service. Vérifier pour s'assurer que tous les accessoires fournis sont inclus avec l'appareil. Pour toutes questions, pièces endommagées ou manquantes, appeler le 1-800-543-6400 pour le service à la clientèle.

### CONTENU DANS UN BOÎTIER DE TRANSPORT DE PLASTIQUE

- ◆ Cloueuse / agrafeuse de parquet
- ◆ Maillet à tête de caoutchouc
- ◆ Clous barbelés en L 2 po, calibre 15,5 (300 pièces)
- ◆ Clous barbelés en L 2 po, calibre 15,5 (300 pièces)
- ◆ Clés hexagonales des 3 mm, 4 mm, et 5 mm
- ◆ Huile de cloueuse
- ◆ Plaque de 5/16 po pour une installation de plancher de 1/2 po
- ◆ (3) vis pour une installation de plaque de semelle de 5/16 po
- ◆ Instructions d'Utilisation et Manual de Pièces
- ◆ Carte de garantie

### AUTRES ARTICLES NON INCLUS

- ◆ Compresseur (doit pouvoir maintenir au moins 483 kPa lorsqu'on utilise la cloueuse)
- ◆ Tuyau à Air
- ◆ Petit outil pour débloquer
- ◆ Colle de frein-filet
- ◆ Huile non-détergente, poids 30
- ◆ ANSI Z87 Protection oculaire
- ◆ Petite pince à becs effilés

**LIRE ET SUIVRE TOUTES LES INSTRUCTIONS.**

**Conserver ces instructions ne pas les jeter**

## Glossaire

Familiarisez-vous avec ces termes avant d'utiliser l'appareil.

**ACTIVER (OUTIL)** — Provoquer le déplacement du(des) composant(s) de l'outil pour enfoncer l'attache.

**SYSTÈME D'ACTIVATION** — L'utilisation d'une gâchette, pointe de contact et/ou autre contrôle d'utilisation, séparément ou en combinaison ou séquence, pour activer l'outil.

**ARRIVÉE D'AIR** — L'ouverture de branchement d'alimentation d'air comprimé, normalement par un raccord fileté.

**CLOUS BARBELÉS EN L** — Un type d'attaches utilisé pour l'attache de planchers de bois dur à rainure et languette (*Voir Figure 8*).

**CHARGEUR** — La partie de la cloueuse qui contient les clous barbelés en L et les agrafes (*Voir Figure 10*).

**PRESSION D'AIR MAXIMALE** — La pression d'air comprimé maximale permise, tel qu'indiqué par le fabricant pour utiliser l'outil.

**RÉGULATEUR DE PRESSION** — une soupape qui coupe automatiquement l'écoulement d'un liquide ou de gaz à une certaine pression, normalement pour éviter d'endommager l'outil.

**kPa** — Mesure de la pression de la force de l'air. La sortie réelle en kPa se mesure par un manomètre sur le compresseur.

**RACCORD RAPIDE** — Un coupleur rapide conçu pour fonctionner en combinaison avec un bouchon rapide pour joindre facilement et rapidement un outil pneumatique en tuyau à air (*Voir Figure 6*).

**BOUCHON RAPIDE** — Un bouchon rapide conçu pour fonctionner en combinaison avec un coupleur rapide pour joindre facilement et rapidement un outil pneumatique en tuyau à air (*Voir Figure 7*).

**MONTAGE** — Le montage est le processus lorsqu'on place le plancher avant de le clouer ou de l'agrafer.

**RÉGULATEUR** — Un dispositif utilisé pour contrôler la pression d'air à un outil à air.

**AGRAFES** — Un type d'attaches utilisé pour l'attache de planchers de bois dur à rainure et languette (*Voir Figure 9*).

**COLLE DE FREIN-FILET** — Une colle de frein-filet appliquée aux filets des vis avant l'installation. Empêche les vis de se desserrer en utilisant l'outil.

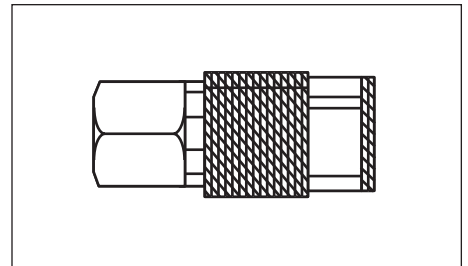


Figure 6 - Raccord Rapide

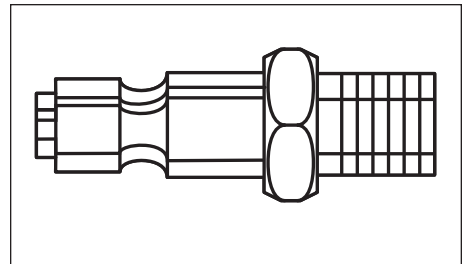


Figure 7 - Bouchon Rapide

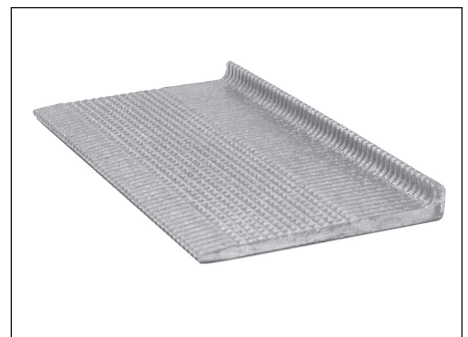


Figure 8 - Clous barbelés en L

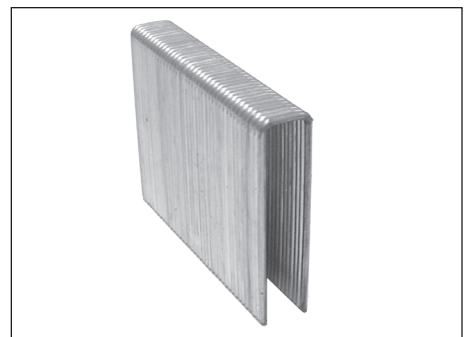


Figure 9 - Agrafes

## Apprendre à connaître votre cloueuse/agrafeuse de plancher comme un professionnel

### UTILISATIONS RECOMMANDÉES POUR CETTE CLOUEUSE/AGRAFEUSE DE PLANCHER

- ◆ Installation de parquets de bois dur de 1/2 po
- ◆ Installation de parquets de bambou de 5/8 po
- ◆ Installation de parquets de bois dur de 3/4 po

### Assemblage

L'outil est fourni entièrement assemblé avec la plaque de semelle mince de 1/4 po installée et prête à utiliser pour l'installation du plancher de bois dur de 3/4 po. Reportez-vous à « Changer les plaques de semelles » de la page 28 pour des instructions détaillées sur le changement de plaques de semelles.

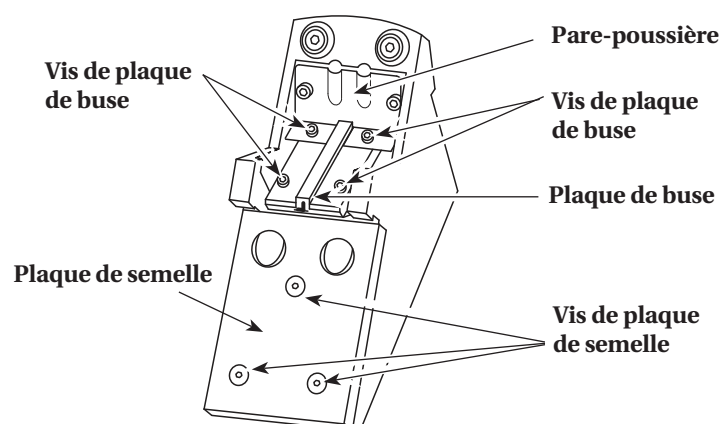
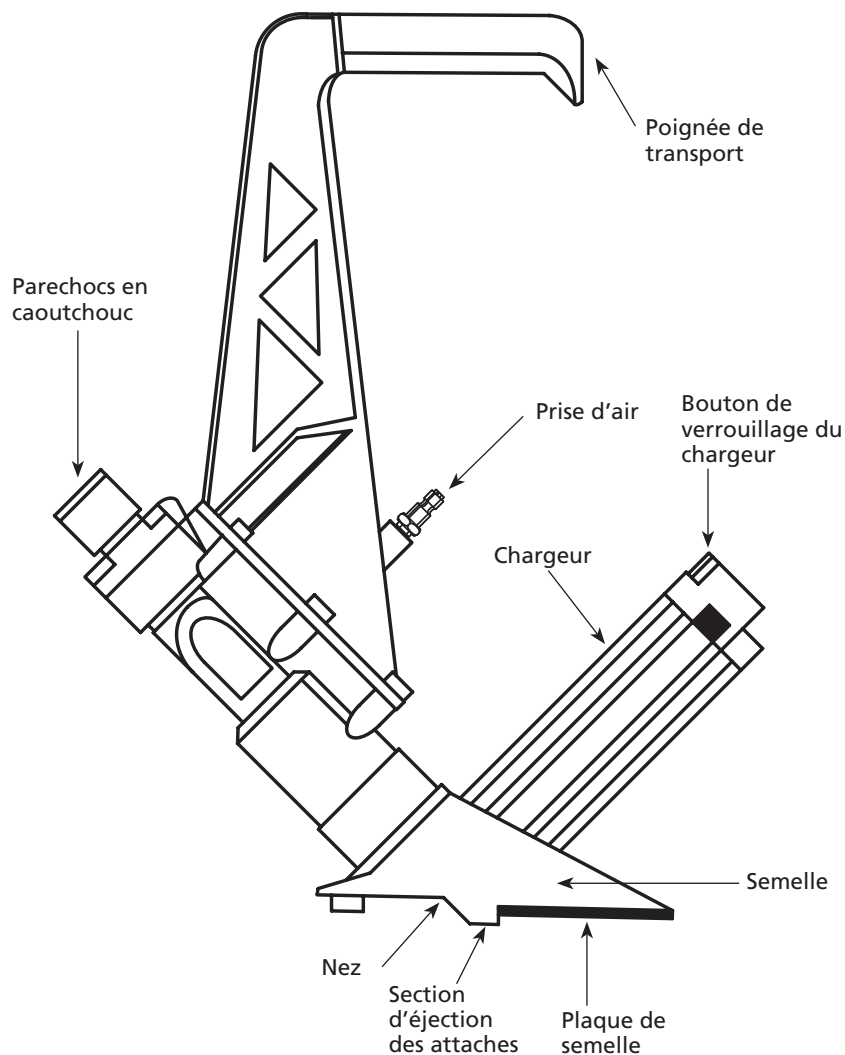


Figure 10 - Composants de cloueuse/agrafeuse de plancher

## Assemblage (Suite)

### TAILLES DE PLAQUES DE SEMELLES

Il y a deux plaques de semelles incluses avec cet outil. La plaque mince de 1/4 po doit être utilisée sur un parquet de bois dur de 3/4 po d'épaisseur. La plaque épaisse de 5/16 po doit être utilisée sur un parquet de bois dur de 1/2 po d'épaisseur et un parquet de bambou de 5/8 po.

#### AVIS

*Pour éviter tout dommage au parquet, utiliser la bonne semelle pour le parquet à installer. Voir le tableau 1.*

### OUTILS REQUIS POUR CHANGER LES PLAQUES DE SEMELLES

- ◆ Clé hexagonale de 4 mm (fournie)
- ◆ Colle de frein-filet

### CHANGER LES PLAQUES DE SEMELLES

1. Débrancher l'alimentation d'air de la cloueuse.
2. Utiliser la clé de 4 mm (fournie) et retirer les trois vis de la semelle (voir Figure 11).
3. Retirer la plaque de semelle, placer une nouvelle ou une autre semelle alternative. S'assurer que la semelle est en position vers le « haut » (up).
4. Réinstaller les vis en appliquant une bonne quantité de colle de frein-filet sur les filets de vis avant l'installation. Bien resserrer.

## Installation

### GRAISSAGE

Cette cloueuse exige le graissage avant son usage initial et avant chaque usage. Si vous utilisez un graisseur en canalisation, le graissage manuel à travers la prise d'air N'EST PAS exigé quotidiennement.

**⚠ DANGER** *La surface de travail peut être endommagée par le graissage excessif. Le graissage correct est la responsabilité de l'utilisateur. Manque de graisser la cloueuse correctement peut raccourcir la durée de la cloueuse et peut annuler votre garantie.*

1. Débrancher l'alimentation d'air de la cloueuse.
2. Tourner la cloueuse de manière à ce que la prise d'air comprimé soit dirigée vers le haut. Introduire 4 ou 5 gouttes d'huile non-détergente dans la prise d'air comprimé. (voir Figure

Épaisseur de plaque	Épaisseur de parquet de bois dur
1/4 po	3/4 po
5/16 po	1/2 po et 5/8 po

Chart 1

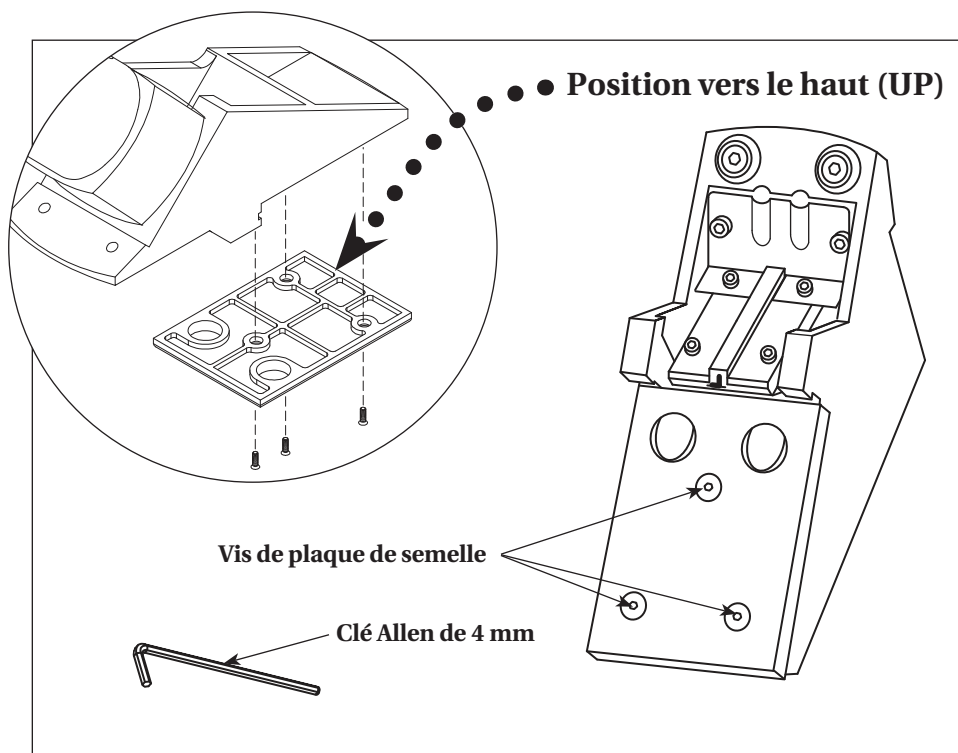


Figure 11 - Position vers le haut de la plaque de semelle

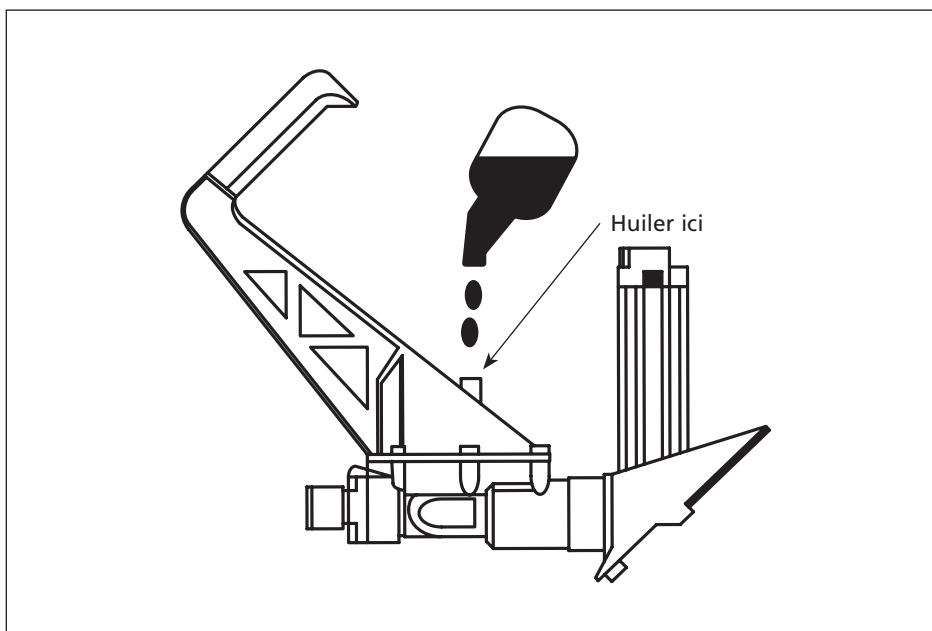


Figure 12 - Pencher la cloueuse pour ajouter de l'huile

## Installation (Suite)

12). Ne pas utiliser d'huile détergente, d'additif à huile ni d'huile pour outils à air comprimé. Ces dernières contiennent des solvants qui peuvent endommager les pièces intérieures de la cloueuse.

### COMPOSANTS MINIMAUX REQUIS POUR LE RACCORD

**COMPRESSEUR D'AIR :** Le compresseur d'air doit conserver un minimum de 483 kPa pendant l'utilisation de la cloueuse. L'alimentation d'air insuffisante peut réduire la puissance de la cloueuse et peut affecter l'efficacité de l'enfoncement. Voir le tableau 2.

**RÉGULATEUR DE PRESSION :** Un régulateur de pression est indispensable pour maintenir la pression de service de la cloueuse entre 482 kPa et 620 kPa.

**BOYAU D'ALIMENTATION D'AIR :** Utilisez TOUJOURS les boyaux d'alimentation d'air avec une pression de service minimale égale à ou supérieure à la pression de la source de courant, ou 1 034 kPa, selon la valeur la plus élevée. Utiliser un tuyau d'air de 6,4 mm (1/4 po) pour les longueurs jusqu'à 15 m (50 pieds). Utiliser les tuyaux d'air de 9,5mm (3/8 po) pour 15 m ou plus (voir la figure 14 et le tableau 3).

### INSTRUCTIONS DE BRANCHEMENT DE LA CLOUEUSE À L'ALIMENTATION D'AIR

La figure 13 montre le branchement recommandé pour la cloueuse.

**NOTE:** Pour un meilleur rendement, installer un bouchon rapide de 9,5 mm (3/8 po) avec (filets d'1/4 po NPT) un diamètre intérieur de 8 mm (0.315 po) sur la cloueuse et un raccord rapide de 9,5 mm (3/8 po) sur le tuyau.

1. Avec l'interrupteur MARCHE/ARRÊT à la position d'ARRÊT (OFF), brancher le compresseur dans la prise de courant.
2. Fermer le régulateur de pression en tournant jusqu'au bout à gauche. Mettre l'interrupteur du compresseur à la position de MARCHE (ON) et laisser pomper jusqu'à la pression d'arrêt automatique.
3. Brancher le tuyau à air à la sortie du régulateur. Ajuster le régulateur de pression en tournant vers la droite pour que la pression de sortie soit entre 484 kPa à 621 kPa.
4. La cloueuse doit être lubrifiée avant chaque utilisation. Placer 4 à 5 gouttes d'huile sans détergent de poids 30 dans la cloueuse à l'entrée d'air. Cela aide de pencher la cloueuse vers l'arrière pour ajouter de l'huile (voir la section de lubrification de la page 28).
5. Tirer le butoir de caoutchouc de la cloueuse en position vers le « haut » (up) (voir la figure 15).


	482 kPa Min
	620 kPa Max.

Tableau 2

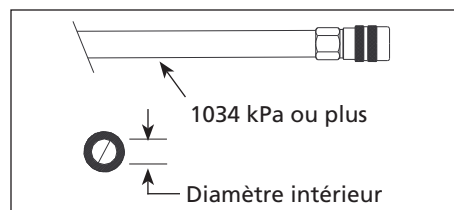


Figure 14 - Exigences du tuyau à air

EXIGENCES DU TUYAU À AIR	
DIAMÈTRE	LONGUEUR D'ACHEMINEMENT
1/4 po	Moins de 15,24 m (50 pi)
3/8 po	Plus de ou égale à 15,24 m (50 pi)

Tableau 3

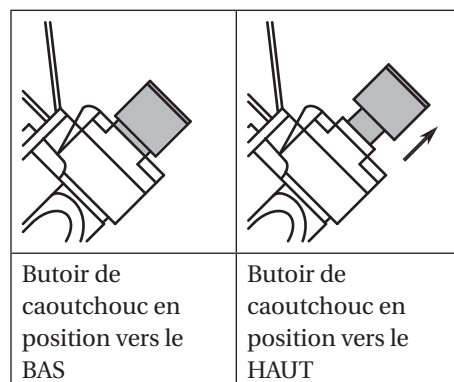


Figure 15 - Installer le tuyau à air avec le butoir de caoutchouc en position vers le HAUT

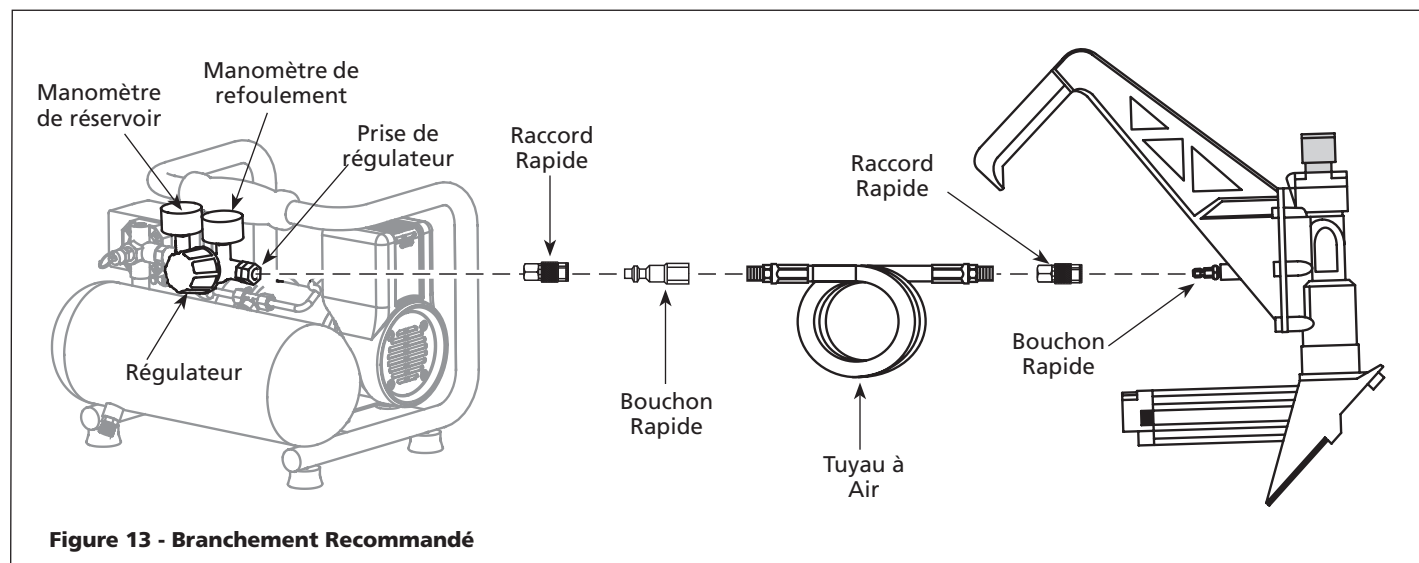


Figure 13 - Branchement Recommandé



## Installation (Suite)

- Charger les attaches dans la cloueuse (voir la section Charger/décharger la cloueuse). Suivre la recommandation du fabricant de parquet au sujet de la longueur et du type d'attaches.
- Pointer la cloueuse dans une direction sans danger tout en installant au tuyau à air.
- La cloueuse est prête à utiliser. Pourrait devoir ajuster la pression de sortie pour atteindre la profondeur d'attaches appropriée. Voir page 32 pour le placement et la profondeur d'attaches.



Figure 16 - Enfoncer le verrou et tirer la porte du chargeur



Figure 17 - Placer les agrafes pour chevaucher le dessus du chargeur.

### Interchangeabilité

Les attaches utilisées dans la cloueuse / agrafeuse de parquet Campbell Hausfeld CHN50300 fonctionneront aussi dans les marques suivantes : Bostich, Porter Cable, Porta-nails, Primatex, Senco, Power Nail, Grip Rite, High Pro, B&C Eagle, Grizzly, et Craftsman.

### CHARGEMENT/DÉCHARGEMENT DE LA CLOUEUSE

Toujours brancher l'outil à l'alimentation d'air **avant** d'ajouter les attaches. Choose which type of fastener you want to use for you project. Additional fasteners can be found at major home centers.

#### Chargement des Agrafes

- Tenir l'outil fermement, presser le verrou et tirer la porte du chargeur (voir Figure 16).
- Placer les agrafes en chevauchant la partie supérieure du chargeur (voir Figure 17).
- Pousser et reverrouiller la porte du chargeur (voir Figure 18).

#### Chargement des Clous Barbelés en L

- Tenir l'outil fermement, presser le verrou et tirer le chargeur (voir Figure 16).

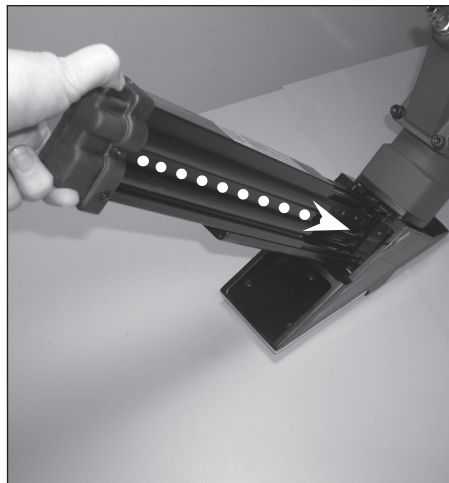


Figure 18 - Pousser le chargeur pour fermer



Figure 19 - La tête des clous barbelés en L doit reposer sur la rainure du chargeur fixe

- Placer le type et la taille spécifiés de clous en L dans le chargeur à partir du côté. La tête des clous en L doit être insérée dans l'encoche sur le chargeur fixe (voir Figure 19).
- Pousser et reverrouiller la porte du chargeur (voir Figure 18).

## Fonctionnement

### LISTE DE MATÉRIAUX DES PROJETS

- ◆ Plancher de bois
- ◆ Clous de finition
- ◆ Attaches de plancher (clous barbelés en L ou agrafes)
- ◆ Sous-couche
- ◆ Ruban

### LISTE D'OUTILS DES PROJETS

- ◆ Cloueuse de plancher
- ◆ Scie sauteuse
- ◆ Perceuse
- ◆ Marteau de pointe
- ◆ Ruban à mesurer
- ◆ Crayon
- ◆ Petit outil à débloquer
- ◆ Cloueuse de finition
- ◆ Compresseur d'air
- ◆ Forets de perceuse
- ◆ Levier
- ◆ Scie à main à dents
- ◆ Cordeau à tracer
- ◆ Colle de frein-filet retirable
- ◆ Scie circulaire / à onglets
- ◆ Tuyau à air
- ◆ Huile sans détergent de poids 30
- ◆ Couteau tout usage
- ◆ Équerre de charpente
- ◆ ANSI Z87 Protection oculaire

### MONTER LE PARQUET (VOIR FIGURES 20 ET 21)

**Se reporter d'abord aux procédures de préparation du fabricant du parquet au sujet du contenu d'humidité et la préparation du parquet avant de déposer les planches de parquet.**

Se reporter d'abord aux procédures de préparation du fabricant du parquet au sujet du contenu d'humidité et la préparation du parquet avant de déposer les planches de parquet.

Pour installer correctement le parquet de bois dur, il doit être bien monté avant d'être cloué en place. Après avoir placé la première lame, suivre ces instructions pour monter le parquet :

- Placer la rainure sur la languette de la lame installée précédemment.
- Utiliser l'extrémité de caoutchouc du maillet pour « sortir » la languette dans la rainure (voir Figure 20).
- Utiliser l'extrémité de métal du maillet pour placer la lame bien rapprochée de la lame adjacente. L'extérieur de métal est effilé en s'éloignant du dessus du plancher pour éviter tout dommage indésirable sur la surface supérieure (voir Figure 21).

### UTILISER LA CLOUEUSE

**NOTE :** S'assurer que le butoir de caoutchouc de la cloueuse de parquet est en position relevée avant d'ajouter le boyau d'air, sinon la cloueuse pourrait cycler (voir Figure 15).

- Brancher l'alimentation d'air de la cloueuse.
- Charger les attaches (voir la section Charger/décharger la cloueuse).

**▲ DANGER** NE PAS utiliser l'outil à moins qu'il soit bien placé. Si ce n'est pas le cas, il pourrait y avoir des blessures à cause d'attaches éjectées qui pourraient mener à des blessures graves et même le mort.

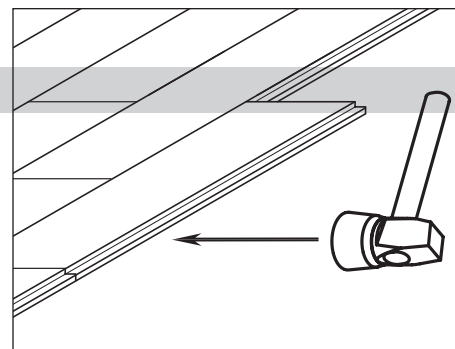


Figure 20 - « Enlancher » la languette dans la rainure.

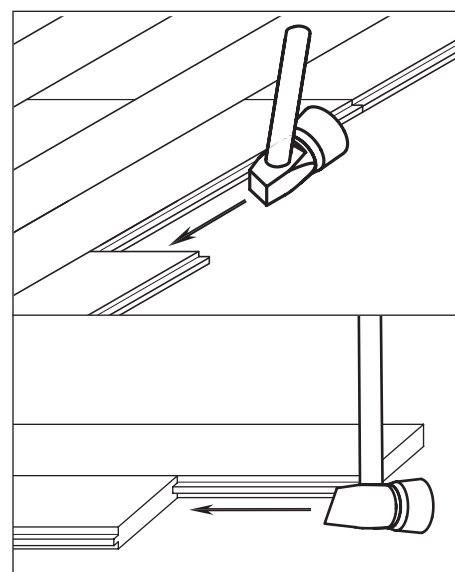


Figure 21 - Monter la lame bien serrée contre la planche adjacente.

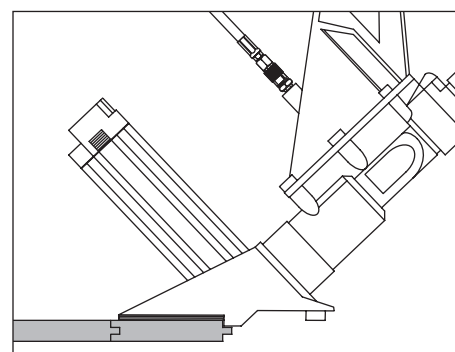


Figure 22 - Déposer la plaque de semelle sur la lame de plancher.

## Fonctionnement (Suite)

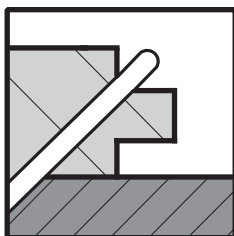
**AVERTISSEMENT** *Un outil qui ne fonctionne pas correctement ne doit pas être utilisé. Ne pas activer l'outil à moins qu'il soit placé bien fermement sur la pièce.*

- Placer l'outil sur le plancher tel qu'indiqué à la *Figure 22* avec la plaque de semelle reposant sur la lame de plancher montée. S'assurer que l'embout d'éjection des attaches soit bien en place contre la languette de la lame.
- Frapper fermement les outils du butoir de caoutchouc avec l'extrémité de caoutchouc du maillet. L'outil devrait cycler et enfoncer l'attache dans la lame.

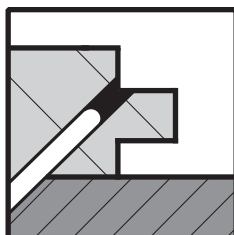
### PROFONDEUR ET PLACEMENT DES ATTACHES

Se reporter à la *Figure 23* pour le bon placement et la bonne profondeur des attaches dans la languette du bois dur. Utiliser une retailles de plancher pour aider à déterminer les réglages de pression d'air appropriés. Si la languette est endommagée à l'installation, le reste du projet sera difficile à exécuter.

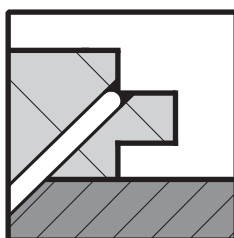
Utiliser une retailles de plancher pour aider à déterminer les réglages de pression d'air appropriés.



Agrafe réglée à un niveau de pression élevée d'air trop BAS



Agrafe réglée à un niveau de pression basse d'air trop HAUTE



Agrafe réglée au bon niveau de pression installée correctement

## Entreposage

La cloueuse/agrafeuse de plancher doit être rangée dans un endroit frais et sec.

## Entretien

### DÉBLOCAGE DE LA CLOUEUSE (VOIR FIGURE 24)

- Débrancher l'alimentation d'air de la cloueuse.
- Retirer les agrafes ou les clous barbelés en L du chargeur.
- Utiliser la clé de 4 mm (fournie), retirer les quatre vis de la plaque de buse, les rondelles, la plaque de buse et le pare-poussières.
- Utiliser un petit outil et sortir l'attache bloquée.
- Réinstaller toute la quincaillerie (appliquer une bonne quantité de colle

Figure 23 - Profondeur d'attache

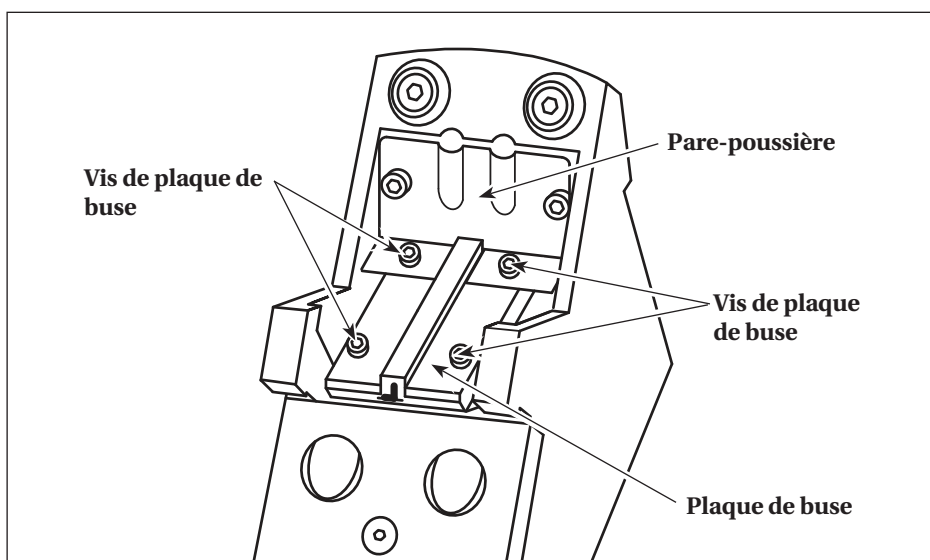


Figure 24 - Le dessous de la cloueuse de parquet

## Entretien (Suite)

de frein-filet sur les filets de vis avant d'installer, bien resserrer).

### RÉPARATION DE LA CLOUEUSE

Seul un personnel qualifié doit réparer l'outil et il doit utiliser des pièces de rechange et des accessoires authentiques de Campbell Hausfeld, ou des pièces et accessoires d'une performance équivalente.

### PIÈCES DE RECHANGE

#### **▲ AVERTISSEMENT**

*Utiliser seulement des pièces de*

*rechange de Campbell Hausfeld. La performance de l'outil, la sécurité et la durabilité pourraient être réduites avec des pièces inappropriées. En commandant des pièces, spécifier le numéro de pièce.*

### PROCÉDURE D'ASSEMBLAGE POUR LES JOINTS

En réparant une cloueuse, les pièces internes doivent être nettoyées et lubrifiées. Il faut utiliser le Parker O-lube ou un produit équivalent sur tous les joints toriques. Chaque joint torique doit être recouvert de O-lube avant l'assemblage. Il faut utiliser une petite quantité d'huile sur toutes les surfaces et pivots mobiles. Après avoir réassemblé, il faut ajouter quelques gouttes d'huile sans détergent 30W ou l'équivalent à travers le conduit d'air avant de tester.

### SERVICE TECHNIQUE

Pour obtenir de l'information sur le fonctionnement ou la réparation de ce produit, appeler le 1-800-543-6400.

## Guide de dépannage

#### **▲ AVERTISSEMENT**

Cessez l'utilisation de la cloueuse immédiatement en cas des problèmes suivants, car il risque de blessures graves. Toutes réparations doivent être effectuées par un Technicien Qualifié ou par un Centre De Service Autorisé.

SYMPTÔME	CAUSE(S) POSSIBLE(S)	ACTION CORRECTIVE
Manque de courant, cycle lent.	<ol style="list-style-type: none"> <li>1. L'outil est trop sec</li> <li>2. La pression d'air est faible</li> <li>3. L'échappement est bloqué</li> </ol>	<ol style="list-style-type: none"> <li>1. Ajouter du lubrifiant</li> <li>2. Vérifier l'équipement d'alimentation d'air</li> <li>3. Nettoyer l'échappement</li> </ol>
Ne tire aucune attache ou alimentation intermittent	<ol style="list-style-type: none"> <li>1. Ressort de poussoir endommagé</li> <li>2. La mauvaise taille d'attache est utilisée</li> <li>3. Le chargeur ou la plaque d'usure est sale</li> </ol>	<ol style="list-style-type: none"> <li>1. Remplacer le ressort</li> <li>2. Utiliser des attaches courantes</li> <li>3. Nettoyer le chargeur et la buse</li> </ol>
Attache bloquée dans l'outil	<ol style="list-style-type: none"> <li>1. La voie d'entraînement est usée</li> <li>2. L'entraîneur est brisé ou usé</li> <li>3. Les attaches sont pliés</li> </ol>	<ol style="list-style-type: none"> <li>1. Remplacer la plaque d'usure</li> <li>2. Remplacer l'entraînement</li> <li>3. Utiliser des attaches courantes</li> </ol>

## Pour pièces de rechange ou assistance technique, appeler 1-800-543-6400

*S'il vous plaît fournir l'information suivante :*

- Numéro de modèle
- Code imprimé sur l'outil
- Description de la pièce et son numéro

*Adresser toute correspondance à :*

Campbell Hausfeld  
Attn: Customer Service  
100 Production Drive  
Harrison, OH 45030 U.S.A.

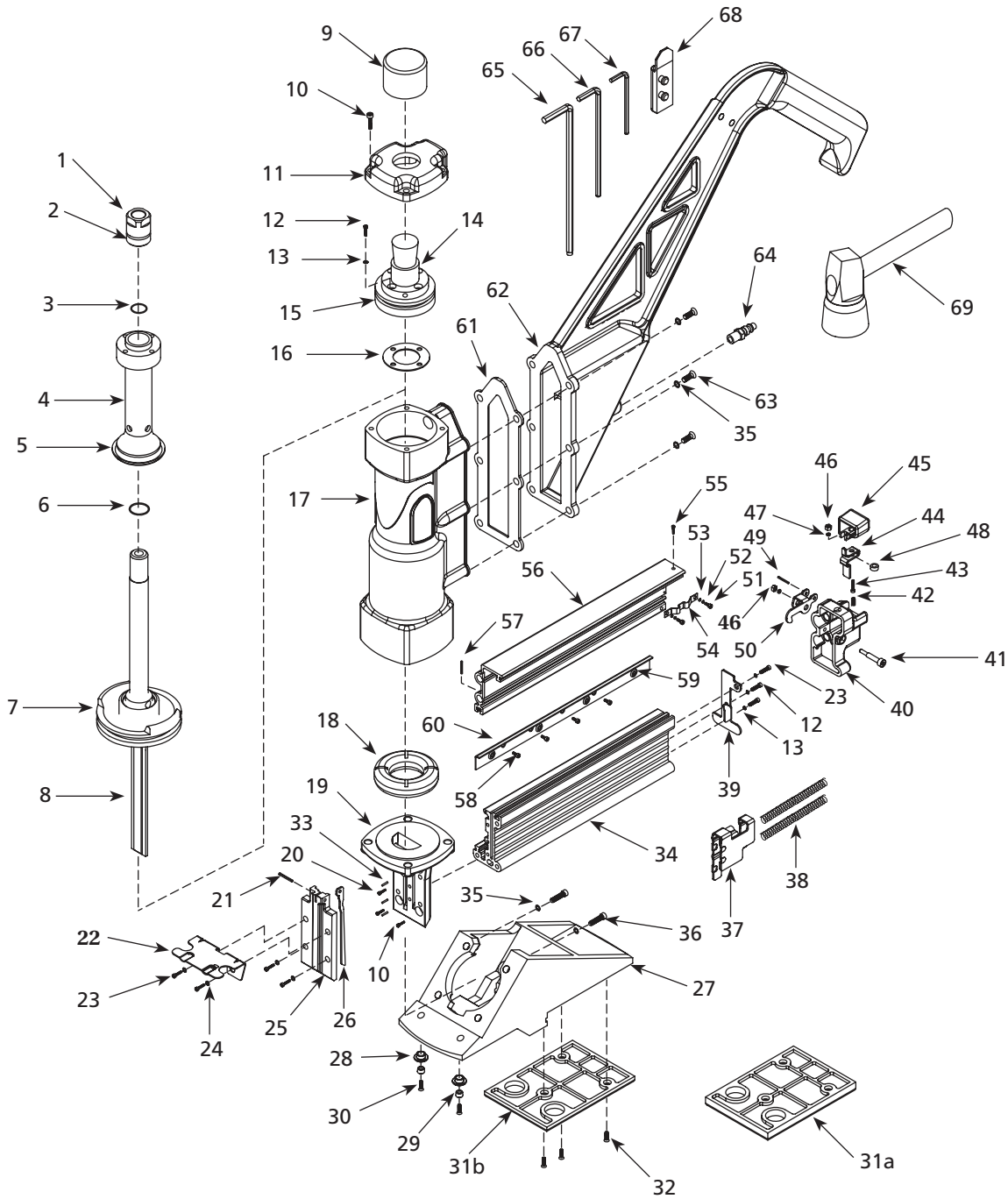


Figure 25 - Illustration des pièces de réparation pour la cloueuse/agrafeuse de plancher pneumatique, modèle CHN50300AV



## Liste de pièces de rechange pour la cloueuse/agrafeuse de plancher

No. de Réf.	Description	Numéro de Pièce	Qté.	No. de Réf.	Description	Numéro de Pièce	Qté.
1	Tête de piston	SX140100AV	1	40	Chapeau d'extrémité du chargeur	SX144100AV	1
2	Joint torique - 19.2 x 1.8	▲	1	41	Vis	★	1
3	Joint torique - 15.9 x 1.8	▲	1	42	Ressort	SX144300AV	1
4	Cylindre de soupape	SX140400AV	1	43	Vis - M4 x 16	★	1
5	Joint torique - 42.5 x 5.4	▲	1	44	Plaque de limiteur	SX144500AV	1
6	Joint torique - 17.5 x 2.6	▲	1	45	Bouton de verrou du chargeur	SX144600AV	1
7	Joint torique - 57.4 x 3.5	▲	1	46	Ecrou - M4	★	1
8	Piston équipé	SX140800AV	1	47	Rondelle	★	1
9	Tête de caoutchouc	SX140900AV	1	48	Douille	SX144900AV	1
10	Vis - M5 x 20	★	1	49	Goupille à ressort - 3 x 12	★	1
11	Chapeau de tête	SX141100AV	1	50	Crochet de verrou du chargeur	SX145100AV	1
12	Vis - M4 x 20	★	1	51	Vis - M3 x 5	★	1
13	Rondelle à ressort	★	1	52	Rondelle	★	1
14	Déclancheur	SX141400AV	1	53	Goupille à ressort	★	1
15	Joint torique - 54.2 x 3.5	▲	1	54	Ressort à lame	SX145500AV	1
16	Joint	▲	1	55	Vis - M3 x 8	★	1
17	Corps	--	1	56	Porte du chargeur	SX145700AV	1
18	Pare-chocs	SX141800AV	1	57	Goupille à ressort - 2.5 x 10	★	1
19	Nez	SX141900AV	1	58	Vis - M3 x 6	★	1
20	Vis - M3 x 20	★	1	59	Aimant	SX146000AV	3
21	Goupille à ressort - 3 x 14	★	1	60	Rail	SX146100AV	1
22	Pare-poussière	SX142200AV	1	61	Joint d'étanchéité	SX146200AV	1
23	Vis - M5 x 14	★	1	62	Bras	--	1
24	Rondelle élastique	★	1	63	Vis - M6 x 25	★	1
25	Guide de lame	SX142500AV	1	64	Bouchon d'air	★	1
26	Guide de clous barbelés	SX142600AV	1	65	Clé 5 mm	■	1
27	Semelle		-- 1	66	Clé 4 mm	■	1
28	Pied de caoutchouc	SX142800AV	2	67	Clé 3 mm	■	1
29	Douille	SX142900AV	1	68	Porte-clé	■	1
30	Vis - M6 x 16	★	1	69	Marteau	SX147000AV	1
31a	Plaque de semelle (épaisse) 8 mm (5/16 po)	SX143100AV	1	<b>NÉCESSAIRES DE PIÈCES DE RECHANGE</b>			
31b	Plaque de semelle (mince) 6 mm (1/4 po)	SX143200AV	1	▲	Trousse complète de joints toriques	SKN09100AV	
32	Vis - M6 x 12	★	1	■	Trousse de clés	SKN09200AV	
33	Goupille à ressort - 2 x 14	★	1	★	Article normal de quincaillerie - disponible à votre quincaillerie locale		
34	Chargeur	SX143500AV	1				
35	Rondelle élastique	★	1				
36	Vis - M6 x 35	★	1				
37	Poussoir	SX143800AV	1				
38	Ressort de poussoir	SX143900AV	2				
39	Plaque d'extrémité du chargeur	SX144000AV	1				

**Mémento:** *Gardez votre preuve datée d'achat à fin de la garantie! Joignez-la à ce manuel ou classez-la dans un dossier pour plus de sécurité.*

---

## Garantie Limitée

1. DURÉE: À partir de la date d'achat par l'acheteur original comme suit - Produits À Service Standard (Standard Duty) - Un An, Produits À Service Sérieux (Serious Duty) - Deux Ans, Produits À Service Extrême (Extreme Duty) - Trois Ans.
2. GARANTIE ACCORDÉE PAR (GARANT): Campbell Hausfeld/Scott Fetzer Company, 100 Production Drive, Harrison, Ohio, 45030, Téléphone: (800) 543-6400
3. BÉNÉFICIAIRE DE CETTE GARANTIE (ACHETEUR): L'acheteur original (sauf en cas de revente) du produit Campbell Hausfeld.
4. PRODUITS COUVERTS PAR CETTE GARANTIE: Tous les outils de fixation (cloueuses et agrafeuses), outils pneumatiques, pistolets vaporisateurs, gonfleurs ou accessoires pneumatiques Campbell Hausfeld qui sont fournis par ou fabriqués par le Garant.
5. COUVERTURE DE LA PRÉSENTE GARANTIE: Défauts de matière et de fabrication considérables qui se révèlent pendant la période de validité de la garantie.
6. LA PRÉSENTE GARANTIE NE COUVRE PAS:
  - A. Les garanties implicites, y compris celles de commercialisabilité et D'ADAPTION À UNE FONCTION PARTICULIÈRE SONT LIMITÉES À PARTIR DE LA DATE D'ACHAT INITIALE TELLE QU'INDIQUÉE DANS LA SECTION DURÉE. Si ce produit est utilisé pour une fonction commerciale, industrielle ou pour la location, la durée de la garantie sera quatre-vingt-dix (90) jours à compter de la date d'achat. Quelques Provinces (États) n'autorisent pas de limitations de durée pour les garanties implicites. Les limitations précédentes peuvent donc ne pas s'appliquer.
  - B. TOUT DOMMAGE, PERTE OU DÉPENSE FORTUIT OU INDIRECT POUVANT RÉSULTER DE TOUT DÉFAUT, PANNE OU MAUVAIS FONCTIONNEMENT DU PRODUIT CAMPBELL HAUSFELD. Quelques Provinces (États) n'autorisent pas l'exclusion ni la limitation des dommages fortuits ou indirects. La limitation ou exclusion précédente peut donc ne pas s'appliquer.
  - C. Toute panne résultant d'un accident, d'une utilisation abusive, de la négligence ou d'une utilisation ne respectant pas les instructions données dans le(s) manuel(s) accompagnant le produit. Un accident, l'utilisation abusive par l'acheteur, la négligence ou le manque de faire fonctionner les produits selon les instructions comprend aussi l'enlèvement ou la modification de n'importe quel appareil de sûreté. Si ces appareils de sûreté sont enlevés ou modifiés, la garantie sera annulée.
  - D. Réglages normaux qui sont expliqués dans le(s) manuel(s) d'utilisation accompagnant le produit.
  - E. Articles ou services qui sont exigés pour l'entretien du produit; Joints torique, ressorts, amortisseurs, écrans de débris, lames d'entraînement, fusibles, batteries, joints d'étanchéité, garnitures ou joints, buses de fluide, aiguilles, buses de sablage, graisses, tuyaux de matériaux, cartouches filtrantes, pales de moteur, abrasifs, lames, meules de coupe, burins, fixe-burins, coupeuses, douilles de serrage, mandrins, mâchoires de rivet, lames de tournevis, tampons de sablage, tampons de sauvegarde, mécanisme de percussion ou toute pièce qui n'est pas indispensable et qui n'est pas indiquée. Ces articles seront couverts pour quatre-vingt-dix (90) jours à partir de la date d'achat original. Les articles soulignés sont garanties pour défauts de matière et de fabrication seulement.
7. RESPONSABILITÉS DU GARANT AUX TERMES DE CETTE GARANTIE: Réparation ou remplacement, au choix du Garant, des produits ou pièces qui se sont révélés défectueux pendant la durée de validité de la garantie.
8. RESPONSABILITÉS DE L'ACHETEUR AUX TERMES DE CETTE GARANTIE:
  - A. Fournir une preuve d'achat datée et un état d'entretien.
  - B. Livraison ou expédition du produit ou de la pièce Campbell Hausfeld au Centre De Service Autorisé Campbell Hausfeld. Taux de frais, si applicables, sont la responsabilité de l'acheteur.
  - C. Utilisation et entretien du produit avec un soin raisonnable, ainsi que le décrit le(s) manuel(s) d'utilisation.
9. RÉPARATION OU REMPLACEMENT EFFECTUÉ PAR LE GARANT AUX TERMES DE LA PRÉSENTE GARANTIE: La réparation ou le remplacement sera prévu et exécuté en fonction de la charge de travail dans le centre de service et dépendra de la disponibilité des pièces de rechange.

Cette Garantie Limitée s'applique aux É.-U., au Canada et au Mexique seulement et vous donne des droits juridiques précis. L'acheteur peut également jouir d'autres droits qui varient d'une Province, d'un État ou d'un Pays à l'autre.



# *Clavadora/ Agrapadora neumática para pisos*

Manual de Instrucciones y Lista de Piezas

**CHN50300**



ENGLISH: Page 1  
FRANÇAISE: Page 19

IN715201AV 8/08



MAKES IT EASY TO DO IT LIKE A PRO

chpower.com

## Índice

---

Descripción.....	S-39	Set-Up .....	S-46
Especificaciones .....	S-39	Lubricacion .....	S-46
Medidas de Seguridad .....	S-40	Minimum Components Required for Hook-up.....	S-47
Safety Symbols.....	S-40	Hook-up Instructions for Nailer to Air Supply .....	S-47
Importantes Instrucciones De Seguridad.....	S-40	Air Hose Requirements.....	S-47
Instrucciones En Referencia Al Peligro De Incendios, Choque Eléctrico O Lesiones Personales ..	S-40	Para Cargar y Descargar la Clavadora .....	S-48
Proposición 65 de California .....	S-40	Para Cargar Grapas.....	S-48
General .....	S-40	Para Cargar Puntillas Dentadas en L .....	S-48
Área de Trabajo.....	S-40	Información de Intercambio de Sujetadores .....	S-48
Seguridad Personal .....	S-41	Funcionamiento .....	S-49
Uso y Cuidado de la Herramienta .....	S-41	Project Materials List: .....	S-49
Servicio .....	S-42	Project Tools List:.....	S-49
Suministro de Aire .....	S-42	Ajuste de los Listones del Piso ...	S-49
Desempaque.....	S-43	Para Disparar la Clavadora .....	S-49
Contents in the Plastic Carrying Case .....	S-43	Posición y Profundidad del Sujetador .....	S-50
Additional Items Not Included ...	S-43	Almacenamiento.....	S-50
Glossary.....	S-44	Mantenimiento .....	S-50
Getting To Know Your Flooring Nailer/Stapler Like A Pro .....	S-45	Cómo Desatascar la Clavadora ..	S-50
Recommended Uses for this Flooring Nailer/Stapler.....	S-45	Para Reparar la Clavadora .....	S-50
Assembly .....	S-45	Repuestos.....	S-51
Tamaños de la Placa de la Zapata.....	S-46	Para Colocarle los Sellos.....	S-51
Tools Required for Changing Shoe Plates.....	S-46	Servicio Técnico .....	S-51
Para Cambiar la Placa de la Zapata.....	S-46	Troubleshooting Guide .....	S-51
		Replacement Parts List for Flooring Nailer/Stapler .....	S-53
		Garantía Limitada .....	S-54

---

### Por información sobre piezas, productos y servicios

**LLAME:** Atención al cliente al 1-800-543-6400

**DIRIJA TODA LA CORRESPONDENCIA A:** Campbell Hausfeld  
Attn: Customer Service  
100 Production Drive  
Harrison, OH 45030 U.S.A.



# Clavadora / Agrapadora para Pisos



## Descripción

Esta clavadora/agrapadora para pisos está diseñada para ser usada en la instalación de pisos de madera dura sin acabado y precabados de 12,7 mm (1/2 pulg.) a 19,1 mm (3/4 pulg.) de espesor. Se debe tener cuidado para no dañar el acabado con la herramienta.

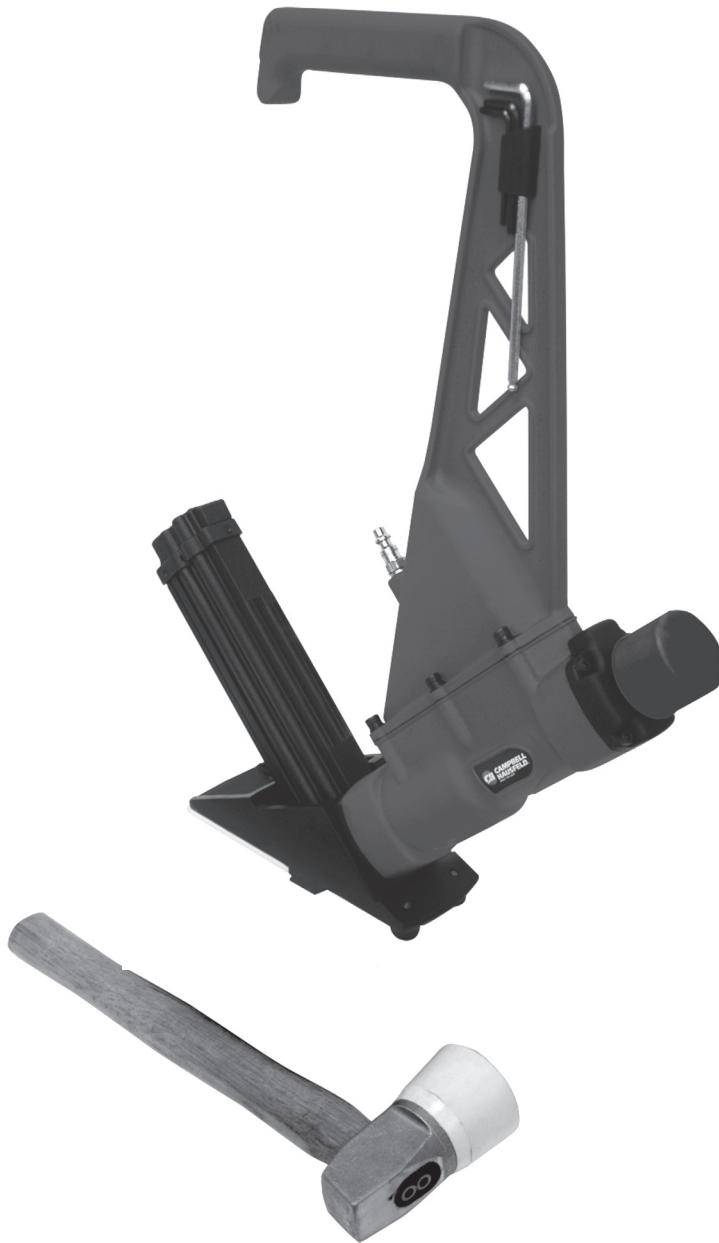


Figura 1 - CHN50300 Clavadora / Agrapadora para Pisos

## Especificaciones

### Modelo CHN50300

**Requiere:** 0,7 SCFM prom. con 10 sujetadores por minuto a 6,21 bar

**Entrada de Aire:** 6.4 mm (1/4") NPT

### Rango de los Clavos:

- Clavos en "L" calibre 16 de 3,81 cm a 5,08 cm (1-1/2 pulg. a 2 pulg.)
- Grapas para piso de 12,7 mm (1/2 pulg.) de ancho calibre 15,5 de 3,81 cm a 5,08 cm (1-1/2 pulg. a 2 pulg.)

### Capacidad del Cargador:

110 sujetadores

**Peso:** 4,54 kg (10 lb)

**Longitud:** 41,91 cm (16-1/2 pulg.)

**Altura:** 58,42 cm (23 pulg.)

**Presion Maxima:** 6,21 bar

### Rango de la Presion:

4,83 bar - 6,21 bar

Ubique el número del modelo en el cargador y el código de la fecha en el cuerpo de la herramienta; anótelos abajo:

Nº de modelo: \_\_\_\_\_

Código de fecha: \_\_\_\_\_

Guarde estos números para referencia futura.



## Medidas de Seguridad

Este manual contiene información que es muy importante que se conozca y comprenda. Esta información se proporciona con fines de SEGURIDAD y para EVITAR PROBLEMAS CON EL EQUIPO. Para ayudar a reconocer esta información, observe los siguientes símbolos.

**▲ PELIGRO** Peligro indica una situación inminentemente peligrosa, que si no se evita, dará como resultado la muerte o lesiones graves.

**▲ ADVERTENCIA** Advertencia indica una situación potencialmente peligrosa, que si no se evita, PODRÍA ocasionar la muerte o lesiones graves.

**▲ PRECAUCION** Precaución indica una situación potencialmente peligrosa, que si no se evita, PUEDE dar como resultado lesiones leves o moderadas.

**AVISO** Aviso indica una información importante, que de no seguirla, le podría ocasionar daños al equipo.

**IMPORTANTE:** información que requiere atención especial.

## Símbolos de seguridad

Los siguientes símbolos de seguridad aparecen a lo largo de este manual para advertirle de importantes peligros y precauciones de seguridad.



Use protección para los ojos y máscara



Lea primero el manual



Riesgo de explosión



Riesgo de caída



Use protección para los ojos



Use protección para los oídos



Riesgo de lesiones personales

## Importantes Instrucciones De Seguridad

### INSTRUCCIONES EN REFERENCIA AL PELIGRO DE INCENDIOS, CHOQUE ELÉCTRICO O LESIONES PERSONALES

Este manual contiene información sobre seguridad, funcionamiento y mantenimiento. Si tiene preguntas, llame al 1-800-543-6400 para obtener asistencia al cliente.

**▲ ADVERTENCIA** Cuando se usen herramientas, siempre se deberán seguir precauciones básicas, incluyendo las siguientes:

#### PROPOSICIÓN 65 DE CALIFORNIA

**▲ ADVERTENCIA** Este producto, o su cordón eléctrico, puede contener productos químicos conocidos por el estado de California como causantes de cáncer y defectos de nacimiento u otros daños reproductivos. Lave sus manos después de usar.

**▲ ADVERTENCIA** Cuando corta lija, taladra o pule materiales como por ejemplo madera, pintura, metal, hormigón, cemento, u otro tipo de mampostería se puede producir polvo. Con frecuencia este polvo contiene productos químicos que se conocen como causantes de cáncer, defectos congénitos u otros daños reproductivos. Use equipo de protección.



#### GENERAL

a. Para reducir el riesgo de choque eléctrico, incendio y lesiones personales, lea todas las instrucciones antes de usar la herramienta. Si no respeta las advertencias, los riesgos y las recomendaciones, eso podría resultar en la MUERTE o en LESIONES GRAVES.



b. Familiarícese con los controles y el uso adecuado del equipo. Siga todas las instrucciones. Póngase en contacto con su representante Campbell Hausfeld si tiene alguna pregunta.

c. Sólo se les debe permitir usar esta unidad a aquellas personas bien familiarizadas con estas reglas de manejo seguro.

**▲ ADVERTENCIA** No opere la clavadora ni permita que otros la operen si las etiquetas de advertencia están ilegibles. Éstas se encuentran en el cargador o el cuerpo de la clavadora.

**▲ ADVERTENCIA** Siempre asuma que la clavadora tiene clavos. Respete la herramienta como un implemento de trabajo; no juegue con ella. Siempre mantenga a los demás a una distancia segura del área de trabajo, en caso de una descarga accidental de clavos. No apunte con la herramienta hacia usted o hacia otra persona, ya sea que contenga o no clavos. El disparo accidental de la clavadora podría resultar en la muerte o en graves lesiones personales.

**▲ PRECAUCION** No haga ninguna modificación a la herramienta sin obtener primero la aprobación por escrito de Campbell Hausfeld. No use la clavadora si le faltan alguna de las tapas protectoras o si éstas han sido modificadas. No use la clavadora como un martillo. Se pueden producir lesiones personales o daños a la herramienta.

**AVISO** Limpie y cheque todas las mangueras de suministro de aire y conexiones antes de conectar la clavadora al compresor. Reemplace las mangueras y conexiones que estén dañadas o desgastadas. El rendimiento de la herramienta o su durabilidad podrían reducirse.

#### ÁREA DE TRABAJO

a. Mantenga el área de trabajo limpia y bien iluminada. Los bancos desordenados y las áreas oscuras aumentan el riesgo de choque eléctrico, incendio y lesiones personales.

b. No haga funcionar la herramienta en entornos explosivos, como por ejemplo cuando haya polvo, líquidos o gases inflamables. La herramienta puede crear chispas y provocar la ignición de polvo o vapores.



c. Mantenga alejados a los observadores, niños y visitantes mientras hace funcionar la herramienta. Las distracciones pueden dar como resultado la pérdida del control de la herramienta.

## Importantes Instrucciones De Seguridad (Continuación)

### SEGURIDAD PERSONAL

- Manténgase alerta. Mire lo que está haciendo y use el sentido común cuando haga funcionar la herramienta. No use la herramienta si está cansado o bajo la influencia de drogas, alcohol o medicamentos.** Un momento de desatención mientras hace funcionar la herramienta aumenta el riesgo de lesiones personales.
- Vístase adecuadamente. No use alhajas ni vestimenta suelta. Sujétese el cabello largo. Mantenga el cabello, vestimenta y guantes alejados de las piezas móviles.** La vestimenta suelta, las alhajas o el cabello largo aumentan el riesgo de lesiones personales como resultado de quedar atrapados en las piezas móviles.
- Evite que se encienda accidentalmente. Asegúrese de que la defensa de caucho esté hacia arriba antes de conectar el suministro de aire.**
- No intente alcanzar lugares alejados. Mantenga un buen soporte y equilibrio en todo momento.** Un soporte y equilibrio adecuados permiten un mejor control de la herramienta en situaciones inesperadas.
- Use equipo de seguridad.** Se debe usar una máscara para polvo, calzado de seguridad antideslizante y casco para las condiciones que se apliquen.



#### ADVERTENCIA

*Asegurarse de que la herramienta se use únicamente cuando el operador y todo el resto del personal en el área de trabajo estén usando equipo de protección ocular ANSI Z87 y demás equipo de protección de cabeza, oídos y pies. Pueden ocasionarse lesiones graves o permanentes de ojos y oídos.*



- Use siempre una protección para el oído cuando use la herramienta.** La exposición prolongada a ruido de alta intensidad puede causar pérdida de audición.



- No ate la manguera ni la herramienta a su cuerpo.** Adjunte la manguera a la estructura para reducir el riesgo de pérdida de equilibrio si la manguera se cambia de posición.



- Siempre asuma que la herramienta contiene clavos.** No apunte con la herramienta hacia usted o hacia otra persona, ya sea que contenga clavos o no.

#### ADVERTENCIA

*No deje que la herramienta se caiga ni la tire. Ésto podría dañarla o convertirla en algo peligroso de usar. En caso de que la herramienta se haya caído o la hayan tirado, revísela con cuidado a ver si está doblada o rota, si tiene alguna pieza dañada o tiene fugas de aire. DEJE de trabajar y repárela antes de usarla o podría ocasionarle heridas graves.*

#### PRECAUCION

*Evite trabajar con esta clavadora por largos periodos. Deje de usar la clavadora si siente dolor en las manos o en los brazos.*

### USO Y CUIDADO DE LA HERRAMIENTA

- No fuerce la herramienta.** Use la herramienta correcta para la aplicación. La herramienta correcta hará el trabajo mejor y en forma más segura a la velocidad para la cual fue diseñada.

#### AVERTISSEMENT

*Desconecte la herramienta del suministro de aire antes de hacer cualquier ajuste, realizar el mantenimiento de la herramienta, eliminar obstrucciones, tocar la horquilla de seguridad, dejar el área de trabajo, cargar o descargar la herramienta. Estas medidas de precaución reducen el riesgo de lesiones a las personas.*

- Cuando no esté en uso, guarde la herramienta fuera del alcance de los niños y otras personas no capacitadas.** Una herramienta es peligrosa cuando está en manos de usuarios inexpertos.
- Cuide su herramienta. Una herramienta mantenida adecuadamente reduce el riesgo de problemas y es más fácil de controlar.**
- Use solo los sujetadores que se enumeran en la sección "Información de intercambio de sujetadores" en la página 48.** Los sujetadores no identificados por el fabricante de la herramienta para ser usados con esta herramienta pueden resultar en un riesgo de lesiones personales o daño a la herramienta cuando se usen en esta herramienta.

#### PELIGRO

*Asegúrese de que la herramienta esté colocada correctamente antes de disparar (ver la sección Funcionamiento, página 49). Si la herramienta no está firmemente posicionada, hay riesgo de que unos sujetadores disparados causen muerte o lesiones graves.*

#### PELIGRO

*Asegúrese de que la cabeza del mazo esté bien sujeta al mango del mazo. No lo use si la cabeza no está bien sujeta. Una cabeza no bien sujeta puede desprenderse y causar la muerte o lesiones personales graves.*

#### ADVERTENCIA

*Desconecte siempre la herramienta de la fuente de energía cuando no la esté atendiendo, cuando le esté realizando mantenimiento o reparaciones, desobstruyéndola, cargándola, descargándola, o moviéndola a un nuevo sitio.*

#### ADVERTENCIA

*Siempre ajuste la herramienta con un conector o acoplador de mangueras colocado en o cerca de la herramienta de un modo tal que se descargue todo el aire comprimido en la herramienta en el momento en que se desconecte el conector o acoplador. No use una válvula de chequeo o ninguna conexión que permita que el aire permanezca en la clavadora. Se puede producir la muerte o lesiones personales graves. Ver Figura 2 en la página 42.*

#### ADVERTENCIA

*Nunca cargue la clavadora por la manguera de aire ni hale la manguera para mover la clavadora o el compresor de aire. Mantenga las mangueras alejadas del calor, aceite y objetos puntiagudos. Reemplace cualquier manguera que esté dañada, débil o desgastada. Ésto podría ocasionar heridas o daños a la herramienta. Ver Figura 3.*

#### ADVERTENCIA

*No clave un clavo encima de otro. El clavo podría saltar y ocasionarle la muerte o heridas graves. Ver Figura 4.*

## Importantes Instrucciones De Seguridad (Continuación)

### ⚠ PRECAUCION

No coloque bruscamente la herramienta sobre pisos preacabados. El colocar la herramienta sin cuidado puede marcar o dañar el piso.

### AVISO

Para golpear la defensa de caucho, use siempre el extremo de caucho del mazo. El usar el extremo de metal puede dañar la herramienta. El extremo de metal puede usarse sólo para ajustar los listones del piso.

### AVISO

Evite usar la clavadora cuando el cargador está vacío. Ésto podría acelerar su desgaste.

### SERVICIO

- El servicio de la herramienta debe ser realizado sólo por personal de reparaciones calificado.
- Al realizarle un servicio a la herramienta, utilice únicamente piezas de repuesto idénticas. Use sólo piezas autorizadas.
- Use sólo los lubricantes que el fabricante proporciona con la herramienta.

### SUMINISTRO DE AIRE

- Nunca conecte a un suministro de aire capaz de exceder las 13,79 bar. Someter la herramienta a presión excesiva puede resultar en una explosión, funcionamiento anormal, daños a la herramienta o graves lesiones personales. Use sólo aire comprimido limpio, seco y regulado a la presión de funcionamiento o dentro del rango de presiones indicado en la herramienta. Antes de usar la herramienta, verifique siempre que el suministro de aire haya sido regulado a la presión de funcionamiento o esté dentro del rango de presiones indicadas.
- No use nunca oxígeno, dióxido de carbono, gases combustibles o ningún gas en botellas como suministro de aire para la herramienta. Tales gases pueden explotar y causar graves lesiones personales.

### AVISO

Los compresores de aire usados para suministrarle aire a la clavadora deben cumplir los requerimientos establecidos por la organización norteamericana ANSI en el código B19.3-1991; sobre seguridad y estándares para compresores de aire industriales. Contacte al fabricante de su compresor de aire para mayor información.

### AVISO

Lea todas las advertencias, procedimientos e instrucciones del fabricante del piso antes de usar esta herramienta. La información proporcionada por el fabricante del piso debe aplicarse.

**GUARDE ESTAS INSTRUCCIONES –  
NO LAS DESECHE**

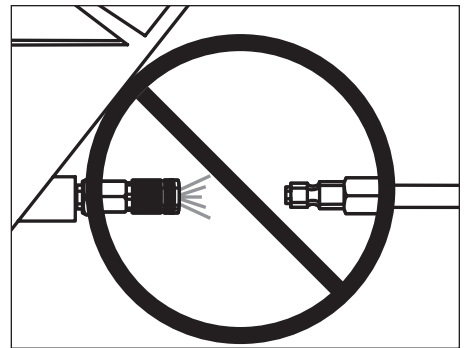


Figura 2

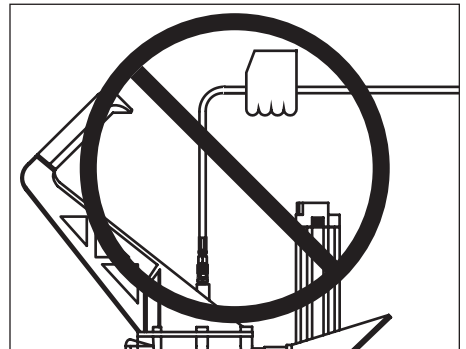


Figura 3 - No transporte la clavadora sosteniéndola por la manguera

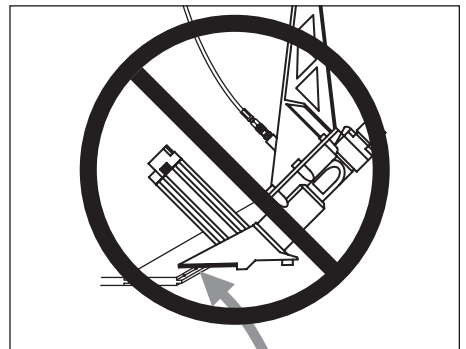


Figura 4

Los símbolos de PELIGRO, ADVERTENCIA, PRECAUCIÓN, y AVISO y las instrucciones en este manual no pueden posiblemente cubrir todas las condiciones y situaciones posibles que puedan presentarse. El usuario debe entender que las precauciones y el sentido común son factores que no pueden incorporarse en este producto: es el usuario mismo quien debe contribuirlos.

## Desempaque

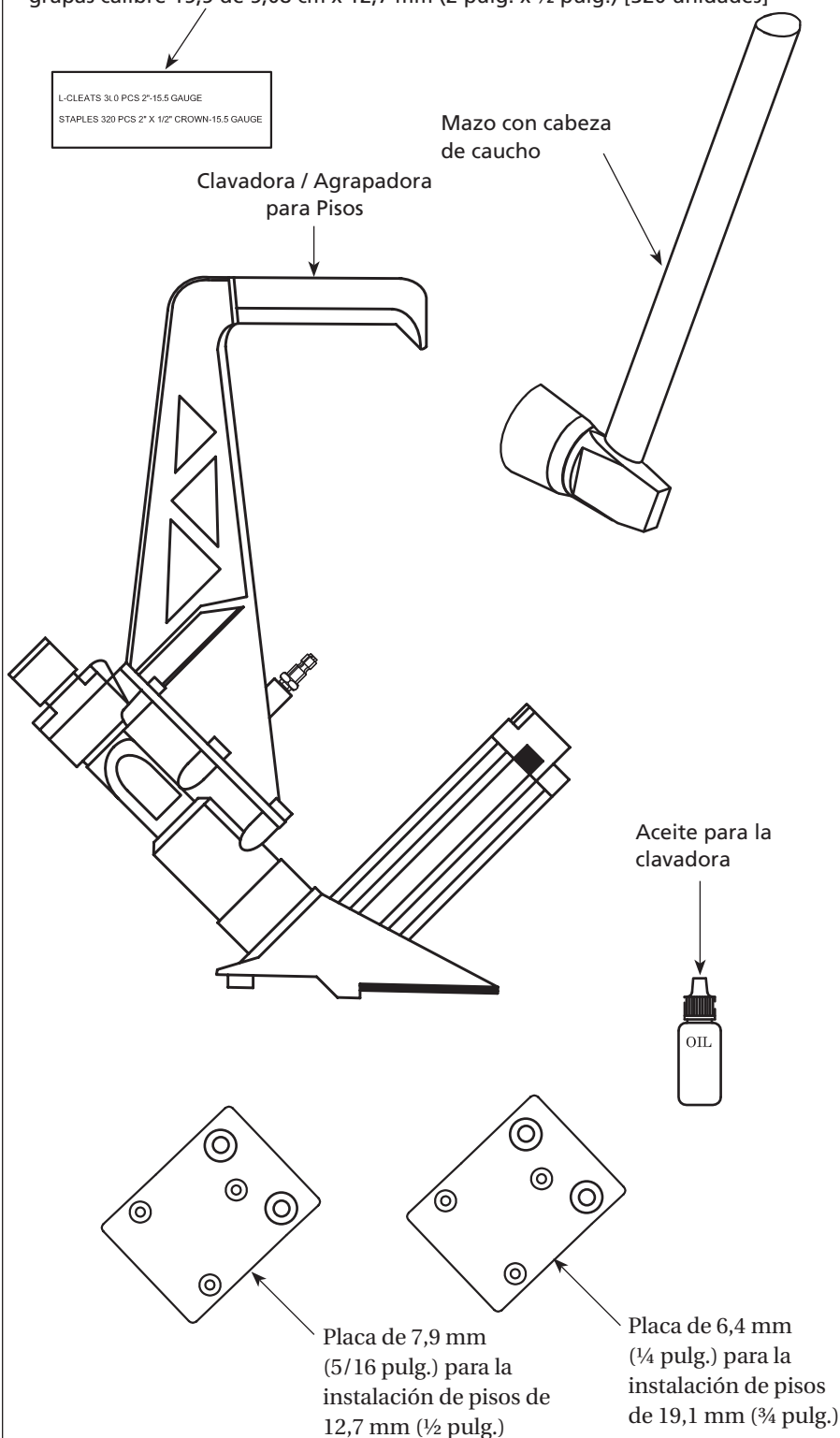
Clavos en "L" calibre 15,5 de 5,08 cm (2 pulg.) [300 unidades] y  
grapas calibre 15,5 de 5,08 cm x 12,7 mm (2 pulg. x ½ pulg.) [320 unidades]

L-CLEATS 3x0 PCS 2"-15.5 GAUGE  
STAPLES 320 PCS 2" X 1/2" CROWN-15.5 GAUGE

Clavadora / Agrapadora  
para Pisos

Mazo con cabeza  
de caucho

Aceite para la  
clavadora



Placa de 7,9 mm  
(5/16 pulg.) para la  
instalación de pisos de  
12,7 mm (½ pulg.)

Placa de 6,4 mm  
(¼ pulg.) para la  
instalación de pisos  
de 19,1 mm (¾ pulg.)

Al desempacar este producto, revíselo con cuidado para cerciorarse de que esté en perfecto estado. Cerciórese de apretar todas las conexiones, pernos, etc. antes de comenzar a utilizar la unidad. Asegúrese de que todos los accesorios proporcionados vengan con la unidad. En caso de que tenga preguntas, o de que haya piezas dañadas o faltantes, llame a 1-800-543-6400 para obtener asistencia al cliente.

#### CONTENIDO DEL ESTUCHE DE PLÁSTICO

- ◆ Clavadora / Agrapadora para Pisos
- ◆ Mazo con cabeza de caucho
- ◆ Clavos en "L" calibre 15,5 de 5,08 cm (2 pulg.) [300 unidades]
- ◆ Grapas calibre 15,5 de 5,08 cm x 12,7 mm (2 pulg. x ½ pulg.) [320 unidades]
- ◆ Llaves hexagonales de 3 mm, 4 mm y 5 mm
- ◆ Aceite para la clavadora
- ◆ Placa de 7,9 mm (5/16 pulg.) para la instalación de pisos de 12,7 mm (½ pulg.)
- ◆ Tornillos para la instalación de la placa de zapata de 7,9 mm (5/16 pulg.)
- ◆ Manual de Instrucciones y Lista de Piezas
- ◆ Tarjeta de garantía

#### ARTÍCULOS ADICIONALES NO INCLUIDOS

- ◆ Compresor (debe ser capaz de mantener un mínimo de 4,83 bar (70 psi) cuando se usa la clavadora)
- ◆ Manguera de aire
- ◆ Herramienta pequeña para eliminar obstrucciones
- ◆ Pegamento fijador de roscas
- ◆ Aceite sin detergente de grado de viscosidad 30
- ◆ Protección para los ojos ANSI Z87
- ◆ Pinzas de punta de aguja pequeñas

**Lea y Siga Todas Las Instrucciones**  
**Guarde estas instrucciones**  
**No las deseche**

Figura 5

## Glosario

Familiarícese con estos términos antes de poner la unidad en funcionamiento.

**ACTIVAR (HERRAMIENTA)** — Producir el movimiento del (de los) componente(s) de la herramienta diseñado(s) para impulsar el sujetador.

**SISTEMA DE ACTIVACIÓN** — El uso de un gatillo, elemento de contacto de trabajo (WCE) y/o otro control de funcionamiento, de modo independiente, en combinación o en secuencia, para activar la herramienta.

**ENTRADA DE AIRE** — La abertura en que se conecta el suministro de aire comprimido, por lo general a través de una conexión roscada.

**CLAVOS EN “L”** — Un tipo de sujetador que se usa para ajustar pisos de madera dura machihembrados (Ver Figura 8).

**CARGADOR** — La parte de la clavadora en que se guardan las grapas y los clavos en “L” (Ver Figura 10).

**PRESIÓN DE AIRE MÁXIMA** — La presión máxima de aire comprimido permisible, según lo especificado por el fabricante, para el funcionamiento de la herramienta.

**REGULADOR DE PRESIÓN** — Una válvula que detiene automáticamente el flujo de un líquido o gas a cierta presión, por lo general con el fin de evitar daños en la herramienta.

**BAR/PSI (LIBRAS POR PULGADA CUADRADA)** — Unidades de medida de la presión ejercida por la fuerza del aire. La salida real en bar/psi se mide con un manómetro en el compresor.

**ACOPLADOR RÁPIDO** — Un acoplador rápido está diseñado para trabajar en combinación con un conector rápido para unir rápida y fácilmente una herramienta neumática con una manguera de aire (Ver Figura 6).

**CONECTOR RÁPIDO** — Un conector rápido está diseñado para trabajar en combinación con un acoplador rápido para unir rápida y fácilmente una herramienta neumática con una manguera de aire (Ver Figura 7).

**COLOCACIÓN** — La colocación es el proceso de ubicar el piso antes de que sea clavado o grapado.

**REGULADOR** — Un dispositivo usado para controlar la presión del aire que pasa a una herramienta neumática

**GRAPAS** — Un tipo de sujetador que se usa para ajustar pisos de madera dura machihembrados (Ver Figura 9).

**PEGAMENTO FIJADOR DE ROSCAS** — Un pegamento para fijar que se aplica a las roscas de los tornillos antes de instalarlos. Evita que los tornillos se aflojen durante el funcionamiento de la herramienta.

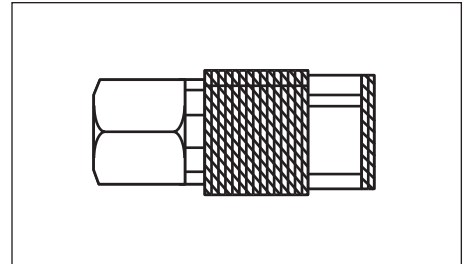


Figura 6 - Acoplador rápido

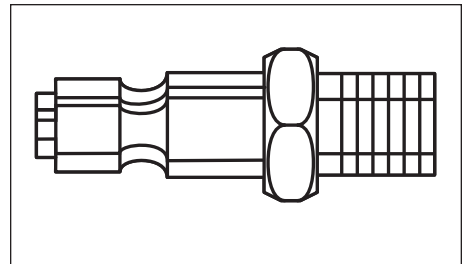


Figura 7 - Conector rápido

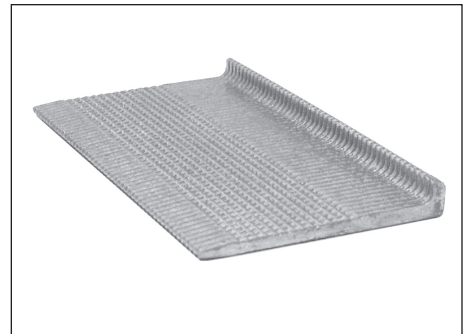


Figura 8 - Clavos en “L”

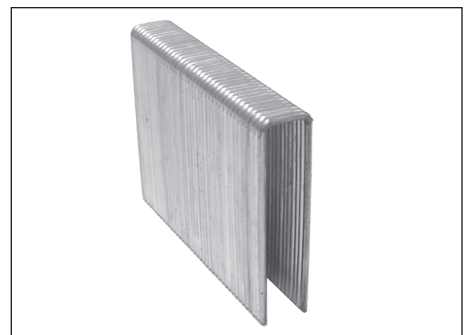
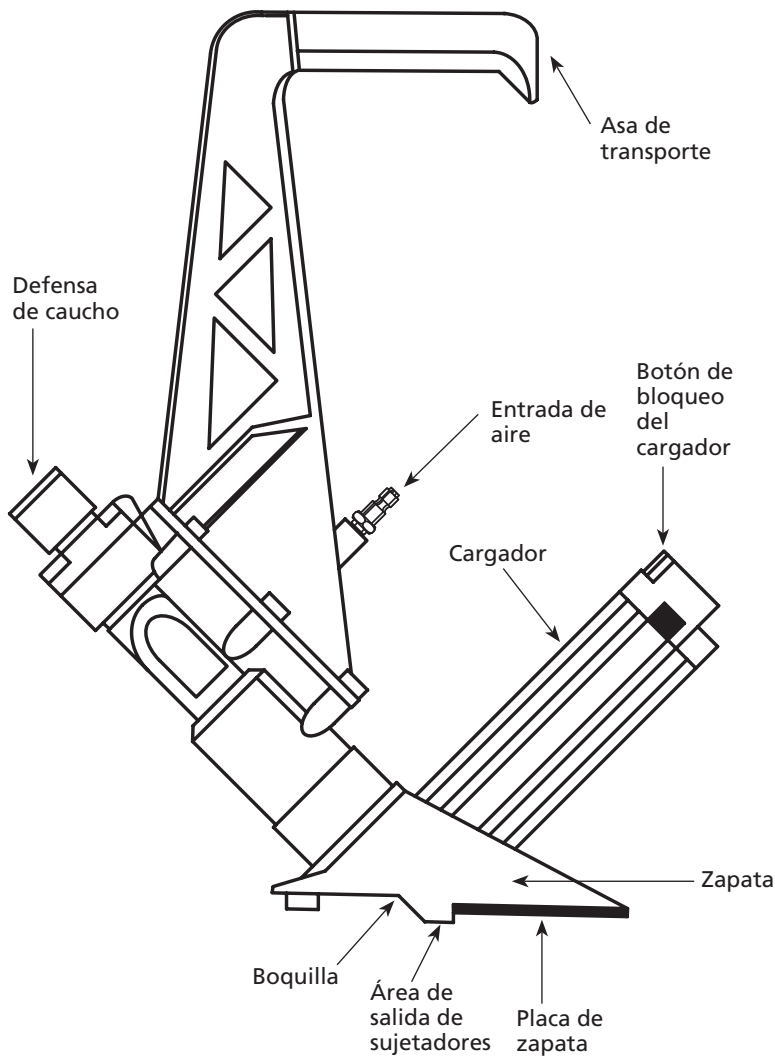


Figura 9 - Grapas



## Conozca su clavadora/agrapadora para pisos como un profesional



### USOS RECOMENDADOS PARA ESTA CLAVADORA/AGRAPADORA PARA PISOS

- ◆ Instalación de pisos de madera dura de 12,7 mm (½ pulg.)
- ◆ Instalación de pisos de bambú de 15,9 mm (5/8 pulg.)
- ◆ Instalación de pisos de madera dura de 19,1 mm (¾ pulg.)

### Ensamblaje

Esta herramienta viene completamente ensamblada con la placa de zapata fina de 6,4 mm (¼ pulg.) instalada y está lista para su uso en la instalación de pisos de madera dura de 19,1 mm (¾ pulg.). Consulte "Para cambiar la placa de la zapata" en la página S-46 para obtener instrucciones detalladas sobre cómo cambiar la placa de zapata.

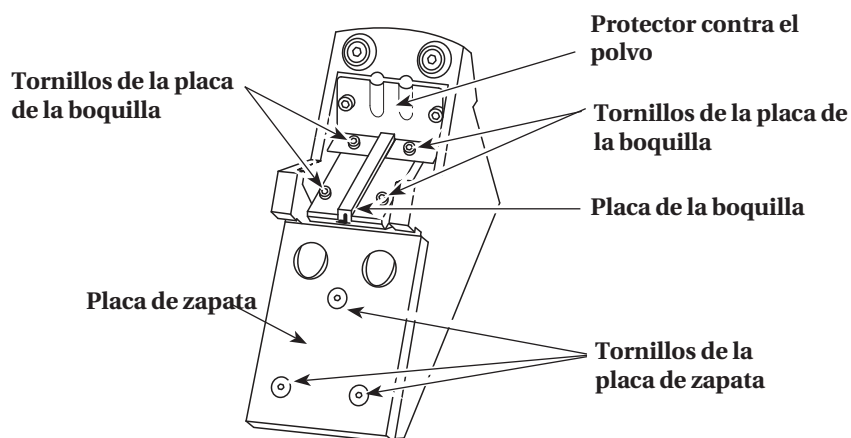


Figura 10 - Componentes de la clavadora/agrapadora para pisos

## Ensamblaje (Continuación)

### Tamaños de la Placa de la Zapata

Esta herramienta viene con dos placas para la zapata. La placa fina [6,4 mm (1/4")] está destinada al uso en la colocación de pisos de madera dura de 19,1 mm (3/4") de espesor. La placa gruesa [7,9 mm (5/16")] está destinada al uso en la colocación de pisos de madera dura de 12,7 mm (1/2") de espesor y pisos de bambú de 15,9 mm (5/8").

#### AVISO

*Para prevenir daños al piso, use la zapata correcta para el piso que va a instalar. Ver la Tabla 1.*

### TOOLS REQUIRED FOR CHANGING SHOE PLATES

- ◆ Llave hexagonal de 4 mm (incluida)
- ◆ Pegamento fijador de roscas

### PARA CAMBIAR LA PLACA DE LA ZAPATA

1. Desconecte la clavadora del suministro de aire.
2. Con la llave de 4 mm incluida, retire los tres tornillos de la zapata (*ver Figura 11*).
3. Retire la placa de la zapata; coloque la zapata nueva o la alternativa. Asegúrese de que la zapata se encuentre en la posición **SUPERIOR** cuando la sujete.
4. Vuelva a colocar los tornillos, aplicando una buena cantidad de pegamento fijador de roscas antes de instalarlos. Apriete con firmeza.

## Instalación

### LUBRICACION

Esta clavadora requiere lubricación antes de usarse por primera vez y antes de cada uso. Si utiliza un lubricador incorporado a la línea, **NO TENDRÁ** que lubricarla manualmente a diario.

#### AVISO

*La superficie de trabajo se podría dañar debido a la lubricación excesiva. La lubricación adecuada es la responsabilidad del propietario. Si no lubrica la clavadora adecuadamente, ésta se dañará rápidamente y la garantía se cancelaría.*

1. Desconecte el suministro de aire de la clavadora.

Esesor de la placa	Esesor del piso de madera dura
6,4 mm (1/4 inch)	19,1 mm (3/4 inch)
7/9 mm (5/16 inch)	12,7 mm y 15,9 mm (1/2 inch y 5/8 inch)

Chart 1

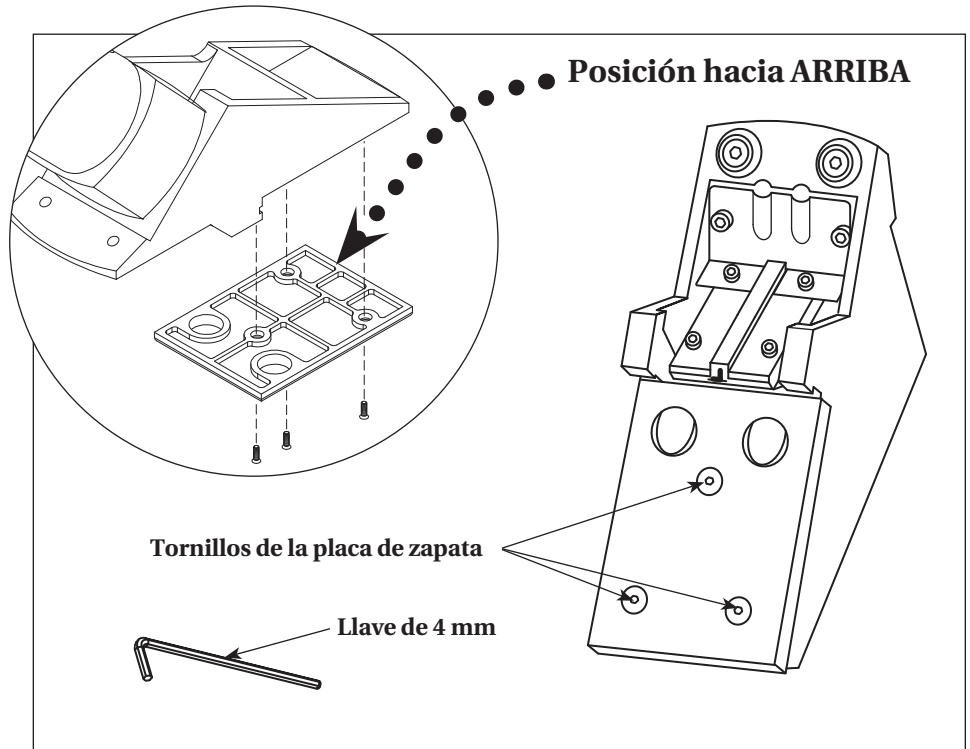


Figura 11 - Posición hacia ARRIBA de la placa de la zapata

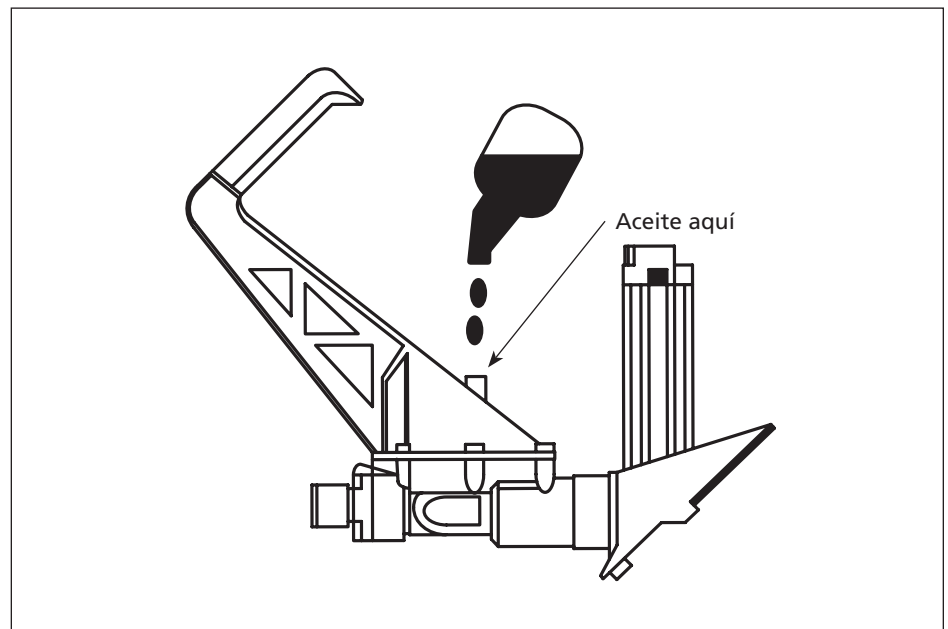


Figura 12 - Incline la clavadora para agregar el aceite

## Instalación (Continuación)

- Gire la clavadora de modo que la entrada de aire quede mirando hacia arriba. Agregue de 4 a 5 gotas de aceite sin detergente 30W en la entrada de aire (ver Figura 12). **NO USE** aceites con detergentes, aditivos de aceite, ni aceites para herramientas neumáticas. Los aceites para herramientas neumáticas contienen solventes que pueden averiar los componentes int

### COMPONENTES MÍNIMOS NECESARIOS PARA LA CONEXIÓN

**COMPRESOR DE AIRE:** El compresor de aire debe tener la capacidad de suministrar un mínimo de 4,83 bar cuando la clavadora esté en uso. Si el suministro de aire es inadecuado podría haber pérdida de potencia y falta de consistencia en el funcionamiento. Ver la Tabla 2.

**REGULADOR DE PRESIÓN:** Se necesita un regulador de presión para controlar la presión de operación de la clavadora entre 4,83 bar y 6,21 bar.

**MANGUERA DE SUMINISTRO DE AIRE:** Use SIEMPRE mangueras de suministro de aire con una clasificación de presión mínima de funcionamiento igual o mayor que la presión de la fuente de energía, o 10,3 bar (150 psi), lo que sea mayor. Use una manguera de aire de 6,4 mm 1/4 pulg. para recorridos de hasta 15,2 m (50 pies). Use mangueras de aire de 9,5 mm (3/8 pulg.) para recorridos de 15,2 m (50 pies) o más (ver Figura 14 y Tabla 3).

### Instrucciones para la conexión de la clavadora al suministro de aire

La Figura 13 muestra la conexión recomendada para la clavadora.

**NOTA:** Para un mejor rendimiento, instálele a la clavadora un conector rápido de 9,5 mm (3/8") (con roscas de 6,4 mm 1/4"-NPT) cuyo diámetro interno sea de 8 mm (0,315") y un acoplador rápido de 9,5 mm (3/8") a la manguera de aire.

- Con el interruptor de accionamiento en la posición de apagado, enchufe el compresor en el tomacorriente.
- Cierre el regulador de presión girándolo totalmente hacia la izquierda. Encienda el compresor y deje que bombee hasta alcanzar la presión en que se apaga automáticamente.
- Conecte la manguera de aire a la salida del regulador. Ajuste el regulador de presión girándolo hacia la derecha para que la presión de salida sea entre 4,8 bar y 6,2 bar (70 psi y 90 psi).
- La clavadora requiere lubricación antes de cada uso. Aplique de 4 a 5 gotas de aceite sin detergente de grado de viscosidad 30 en la entrada de aire de la clavadora. Ayuda inclinar la clavadora hacia atrás para poder verter el aceite (Ver la sección de Lubricación en la página 46).
- Tire de la defensa de caucho de la clavadora para ponerla hacia ARRIBA (ver Figura 15).

	4,83 bar Min.
	6,21 bar Max.

Tabla 2

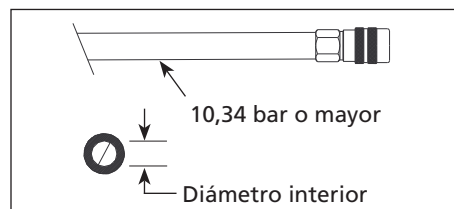


Figura 14 - Requerimientos para la manguera de aire

REQUERIMIENTOS PARA LA MANGUERA DE AIRE	
DIÁMETRO	LARGO DEL RECORRIDO
6,4 mm (1/4")	Menos de 15,2 m (50 pies)
9,5 mm (3/8")	Mayor o igual a 15,2 m (50 pies)

Tabla 3

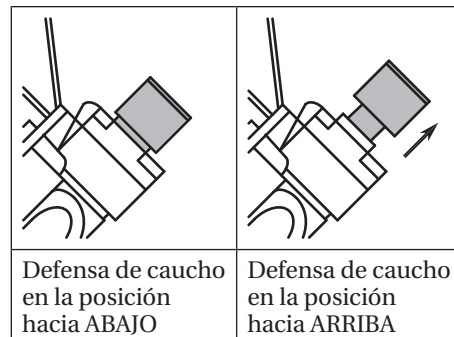


Figura 15 - Coloque la manguera de aire con la defensa de caucho en la posición hacia ARRIBA

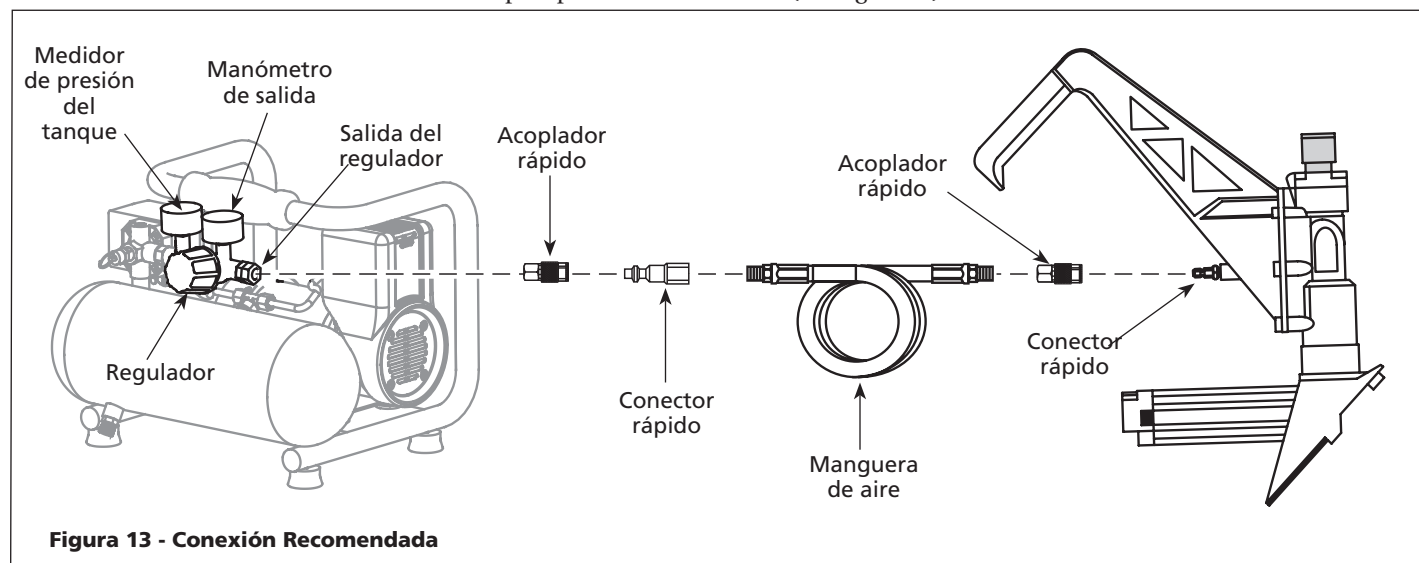


Figura 13 - Conexión Recomendada

## Instalación (Continuación)

6. Cargue los sujetadores en la clavadora (Vea la sección Para cargar y descargar la clavadora). Siga las recomendaciones del fabricante sobre la colocación de los pisos con respecto a la longitud y el tipo de sujetador.
7. Apunte la clavadora hacia una dirección segura mientras coloca la manguera de aire.
8. La clavadora está lista para usar. Puede ser necesario ajustar la presión de salida para lograr una profundidad de sujetador adecuada. Vea la página S-50 para obtener información sobre la Posición y profundidad del sujetador.



Figura 16 - Presione el botón de bloqueo y tire de la puerta del cargador



Figura 17 - Coloque las grapas montadas en la parte superior del cargador

## Información de Intercambio de Sujetadores

Los sujetadores usados en la Clavadora/Agrapadora para Pisos CHN50300 de Campbell-Hausfeld sirven también para las siguientes marcas: Bostich, Porter Cable, Porta-nails, Primatch, Senco, Power Nail, Grip Rite, High Pro, B&C Eagle, Grizzly, y Craftsman.

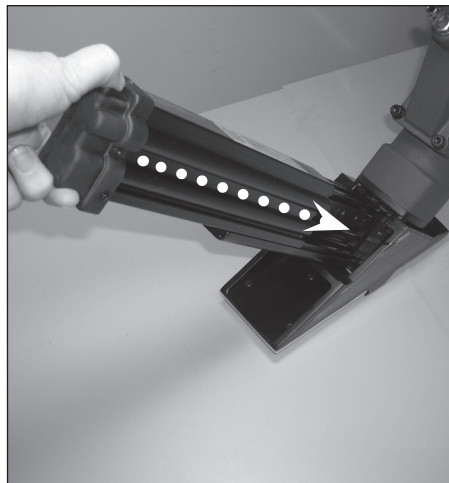


Figura 18 - Empuje el cargador para cerrarlo



Figura 19 - La cabeza del clavo en "L" debe calzar en la ranura del cargador fijo

## PARA CARGAR Y DESCARGAR LA CLAVADORA

Siempre conecte la herramienta a la fuente de suministro de aire **antes** de colocarle los clavos.

### Para Cargar Grapas

1. Sostenga firmemente la herramienta, presione la traba y hale la puerta del cargador (ver *Figure 16*).
2. Coloque las grapas a horcahadas en la parte superior del cargador (ver *Figura 17*).
3. Cierre y trabe la puerta del cargador en su lugar (ver *Figure 18*).

### Para Cargar Puntillas Dentadas en L

1. Sostenga firmemente la herramienta, presione la traba y hale la puerta del cargador (ver *Figure 16*).
2. Coloque en el cargador puntillas dentadas en L del tipo y tamaño indicados, desde el lado. La cabeza

de las puntillas dentadas en L debe insertarse en la ranura en la parte fija del cargador (ver *Figure 19*).

3. Cierre y trabe la puerta del cargador en su lugar (ver *Figure 18*).

## Funcionamiento

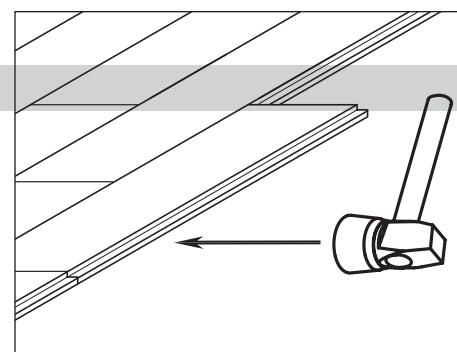
### LISTA DE MATERIALES PARA EL PROYECTO:

- ◆ Tablas de madera para piso
- ◆ Sujetadores para piso (grapas o clavos en "L")
- ◆ Clavos para acabados
- ◆ Contrapiso
- ◆ Cinta

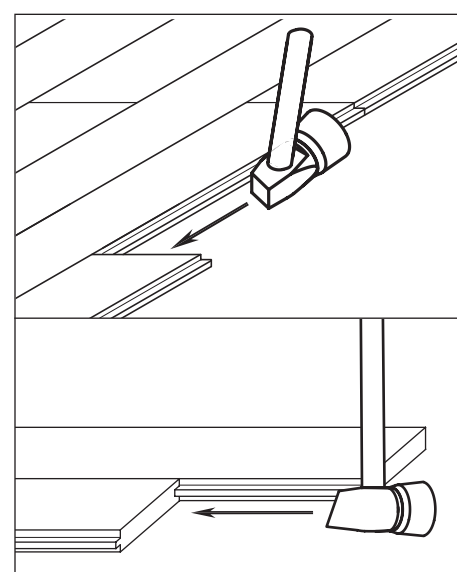
### LISTA DE HERRAMIENTAS PARA EL PROYECTO:

- ◆ Clavadora para pisos
- ◆ Clavadora para acabados
- ◆ Sierra circular/de inglete
- ◆ Sierra vertical
- ◆ Compresor de aire
- ◆ Manguera de aire
- ◆ Taladro
- ◆ Brocas de taladro
- ◆ Aceite sin detergente 30W
- ◆ Martillo de tachuelas
- ◆ Palanca
- ◆ Cuchillo para uso general
- ◆ Cinta métrica
- ◆ Sierra de dientes manual
- ◆ Escuadra de carpintero
- ◆ Lápiz
- ◆ Línea de tiza
- ◆ Protección para los ojos ANSI Z87
- ◆ Pequeña herramienta para obstrucciones
- ◆ Pegamento de roscas removible

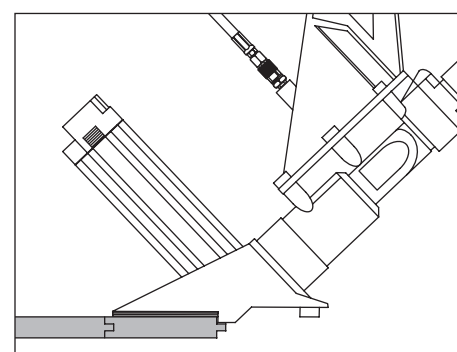
**Refiérase a las instrucciones de preparación del fabricante del piso sobre el contenido de humedad y la preparación del piso antes de colocar los listones.**



**Figura 20 - Encaje la lengüeta en la ranura**



**Figura 21 - Coloque la tabla firmemente contra la tabla adyacente**



**Figura 22 - Apoye la placa de zapata sobre la tabla del piso**

### AJUSTE DE LOS LISTONES DEL PISO (VER FIGURAS 20 Y 21)

Primero refiérase a las instrucciones de preparación del fabricante del piso sobre el contenido de humedad y la preparación del piso antes de colocar los listones.

Para instalar correctamente el piso de madera, es necesario ajustar correctamente los listones antes de clavarlos definitivamente. Después de colocar el primer listón, siga estas instrucciones para realizar el ajuste:

1. Encaje la ranura del listón sobre la lengüeta del listón anterior.
2. Use el extremo de caucho del mazo para "insertar" la lengüeta en la ranura (ver *Figure 20*).
3. Use el extremo de metal del mazo para ajustar firmemente el listón contra el listón adyacente. El extremo de metal está ahuecado en la parte superior de las maderas para piso para evitar daños no deseados a la superficie superior (ver *Figure 21*).

### PARA DISPARAR LA CLAVADORA

**NOTA:** Asegúrese de que la defensa de caucho de la clavadora se encuentre en la posición arriba antes de conectar la manguera de aire; de lo contrario, la clavadora puede realizar un ciclo (see *Figure 15*).

1. Conecte la clavadora a la fuente de suministro de aire.
2. Cargue los sujetadores (ver la sección Para cargar y descargar la clavadora).

**▲ PELIGRO** NO dispare la herramienta si no está firmemente posicionada. Si la herramienta no está firmemente posicionada, hay riesgo de que unos sujetadores disparados causen muerte o lesiones graves.

**▲ ADVERTENCIA** Una herramienta que funciona de manera inadecuada no debe usarse. No active la herramienta a menos que esté colocada firmemente contra la pieza de trabajo.



## Funcionamiento (Continuación)

3. Coloque la herramienta contra el listón como se indica en la Figura 22, con la placa de la zapata sobre el listón ya ajustado. Asegúrese de que la boquilla de salida del sujetador esté colocada firmemente contra la lengüeta del listón.
4. Golpee firmemente la defensa de caucho de la herramienta con el extremo de caucho del mazo. La herramienta debe hacer un ciclo e insertar el sujetador en el listón.

### POSICIÓN Y PROFUNDIDAD DEL SUJETADOR

Refiérase a la *Figura 23* para la profundidad y el posicionamiento correcto del sujetador en la lengüeta de madera. Use un pedazo de madera de rechazo del piso para ayudarse a determinar el ajuste correcto de la presión de aire. Un daño a la lengüeta en la instalación complicará lo que quede del proyecto.

## Almacenamiento

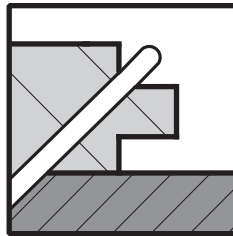
La clavadora/agrapadora debe guardarse en un lugar fresco y seco.

## Mantenimiento

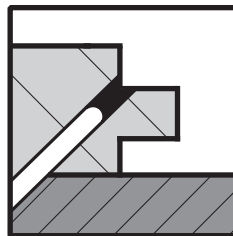
### Cómo Desatascar la Clavadora (VER FIGURA 24)

1. Desconecte la clavadora del suministro de aire.
2. Retire las grapas o puntillas dentadas en L del cargador.
3. Con la llave de 4 mm incluida, retire los cuatro tornillos de la placa de la boquilla, las arandelas, la placa de la boquilla y el protector contra el polvo.
4. Con una herramienta pequeña, saque el sujetador atascado.
5. Vuelva a colocar todas las piezas (aplique una buena cantidad de pegante para roscas en la rosca de los tornillos antes de instalar; apriete firmemente).

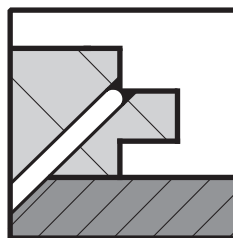
Use un pedazo de madera de rechazo del piso para ayudarse a determinar el ajuste correcto de la presión de aire.



Sujetador demasiado afuera  
Presión de aire: BAJA



Sujetador demasiado adentro  
Presión de aire: EXCESIVA



Sujetador colocado correctamente  
Presión de aire: CORRECTA

Figura 23 - Profundidad del sujetador

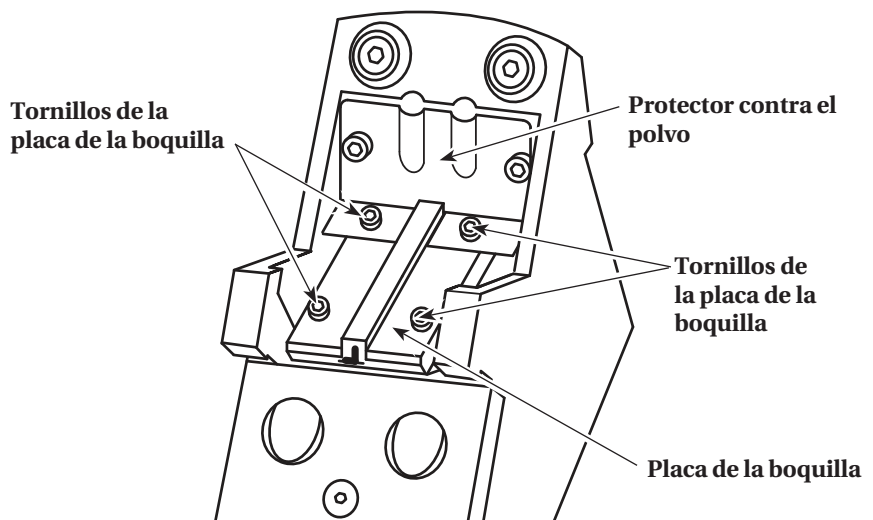


Figura 24 - La parte inferior de la clavadora para pisos

## Maintenance (Continuación)

### PARA REPARAR LA CLAVADORA

La herramienta deberá ser reparada únicamente por personal calificado, y deberán usar piezas de repuesto y accesorios originales Campbell Hausfeld, o piezas y accesorios que funcionen de manera equivalente.

### REPUESTOS

**▲ ADVERTENCIA** Use sólo repuestos originales Campbell Hausfeld. El desempeño de las herramientas, la seguridad y la duración pueden disminuir si no se utilizan los repuestos adecuados. Cuando ordene repuestos, especifique el número del repuesto.

### PARA COLOCARLE LOS SELLOS

Cada vez que repare una clavadora deberá limpiarle y lubricarle las partes internas. Le recomendamos que use Parker O-lube o un lubricante equivalente en todos los anillos en O. A cada anillo en O se le debe dar un baño de lubricante para anillos antes de instalarlos. Igualmente, deberá ponerle un poco de aceite a todas las superficies y pivotes que se mueven. Finalmente, después de haberla ensamblado y antes de probar la herramienta, deberá ponerle unas cuantas gotas de aceite sin detergente 30W u otro aceite similar, en las líneas de aire.

### SERVICIO TÉCNICO

Para obtener información con relación al funcionamiento o reparación de este producto, sírvase llamar al 1-800-543-6400.

## Guía de resolución de problemas

**▲ ADVERTENCIA** Deje de usar la clavadora inmediatamente si alguno de los siguientes problemas ocurre. Podría resultar en heridas graves. Cualquier reparación o reemplazo de piezas los debe hacer un técnico calificado personal de un centro autorizado de servicio.

PROBLEMA	CAUSA	SOLUCIÓN
Fuerza insuficiente; ciclo lento	<ol style="list-style-type: none"> <li>1. La herramienta está demasiado seca</li> <li>2. La presión de aire es insuficiente</li> <li>3. El escape está bloqueado</li> </ol>	<ol style="list-style-type: none"> <li>1. Añada lubricante</li> <li>2. Verifique el equipo de suministro de aire</li> <li>3. Limpie el escape</li> </ol>
No dispara el sujetador o alimentación intermitente	<ol style="list-style-type: none"> <li>1. El resorte del mecanismo de impulso está dañado</li> <li>2. Se está usando un sujetador de tamaño inapropiado</li> <li>3. El cargador o la placa de desgaste están sucios</li> </ol>	<ol style="list-style-type: none"> <li>1. Reemplace el resorte</li> <li>2. Use sujetadores estándar</li> <li>3. Limpie el cargador y la boquilla</li> </ol>
Sujetador atascado en la herramienta	<ol style="list-style-type: none"> <li>1. El canal del mecanismo de impulso está desgastado</li> <li>2. El mecanismo de impulso está dañado o desgastado</li> <li>3. Los sujetadores están doblados</li> </ol>	<ol style="list-style-type: none"> <li>1. Reemplace la placa de desgaste</li> <li>2. Reemplace el mecanismo de impulso</li> <li>3. Use sujetadores estándar</li> </ol>

## Para Ordenar Repuestos o Asistencia Técnica, Sírvese Llamar al Distribuidor Más Cercano a Su Domicilio

Sírvese proporcionar la siguiente información:

- Número de modelo
- Número de serie (si tiene)
- Descripción y número de la pieza como se muestra en la lista de repuestos

Dirija toda la correspondencia a:

Campbell Hausfeld  
Attn: Customer Service  
100 Production Drive  
Harrison, OH 45030 U.S.A.

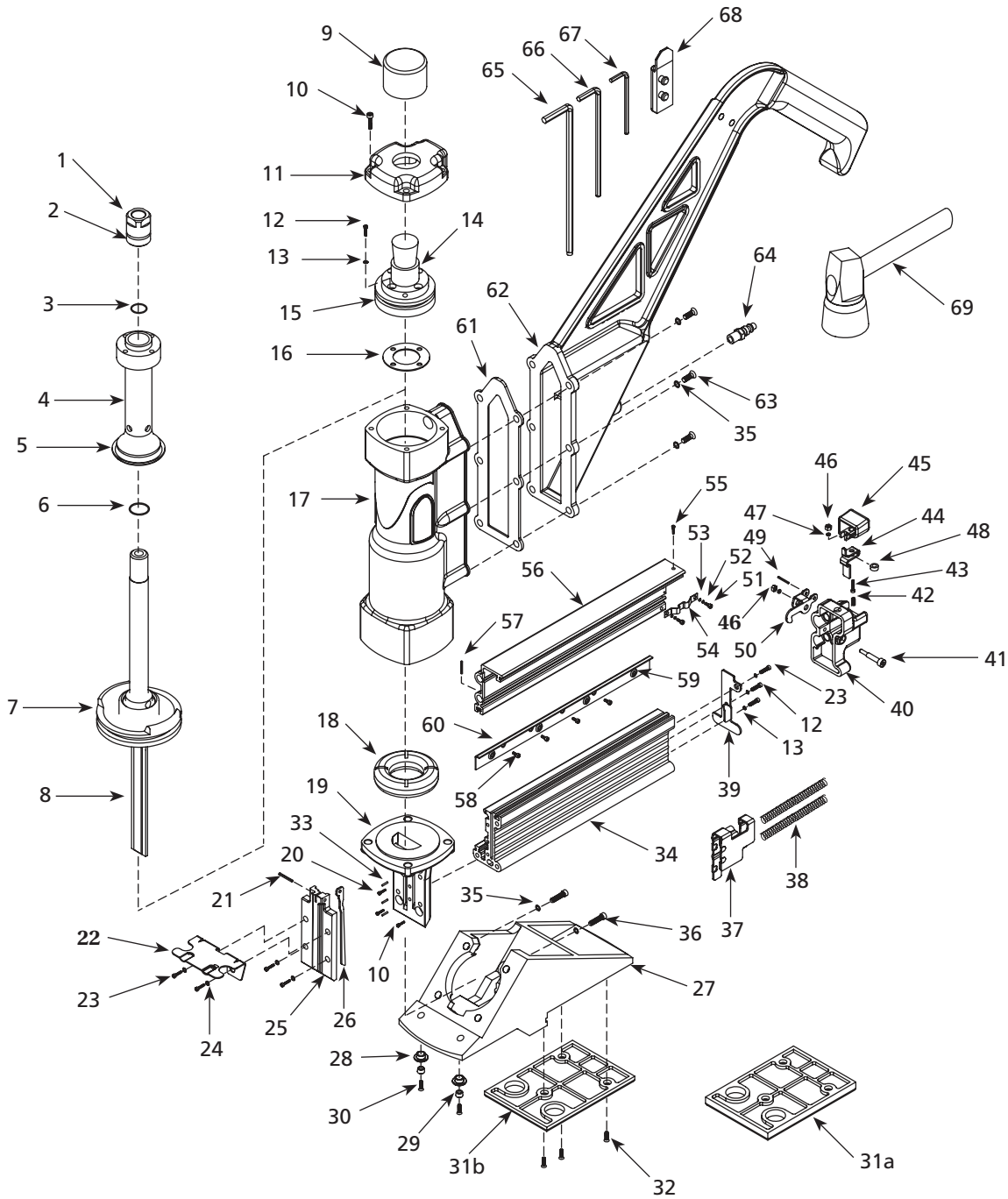


Figura 25 – Ilustración de las piezas de repuesto para la Clavadora/Agrapadora neumática par pisos, modelo CHN50300AV

## Lista de piezas de repuesto para la clavadora/agrapadora para pisos

No. de Ref.	Descripción	Número de Repuesto	Ctd.	No. de Ref.	Descripción	Número de Repuesto	Ctd.
1	Cabeza del pistón	SX140100AV	1	40	Tapa del extremo del cargador	SX144100AV	1
2	Anillo en O - 19.2 x 1.8	▲	1	41	Tornillo	★	1
3	Anillo en O - 15.9 x 1.8	▲	1	42	Resorte	SX144300AV	1
4	Cilindro de válvula	SX140400AV	1	43	Tornillo - M4 x 16	★	1
5	Anillo en O - 42.5 x 5.4	▲	1	44	Placa tope	SX144500AV	1
6	Anillo en O - 17.5 x 2.6	▲	1	45	Botón de seguro del cargador	SX144600AV	1
7	Anillo en O - 57.4 x 3.5	▲	1	46	Tuerca - M4	★	1
8	Ensamblaje del pistón	SX140800AV	1	47	Arandela	★	1
9	Defensa de caucho	SX140900AV	1	48	Buje	SX144900AV	1
10	Tornillo - M5 x 20	★	1	49	Pasador de resorte - 3 x 12	★	1
11	Sombrerete	SX141100AV	1	50	Gancho de seguro del cargador	SX145100AV	1
12	Tornillo - M4 x 20	★	1	51	Tornillo - M3 x 5	★	1
13	Arandela de resorte	★	1	52	Arandela	★	1
14	Actuador	SX141400AV	1	53	Arandela de resorte	★	1
15	Anillo en O - 54.2 x 3.5	▲	1	54	Resorte de hoja	SX145500AV	1
16	Sello	▲	1	55	Tornillo - M3 x 8	★	1
17	Cuerpo	--	1	56	Puerta del cargador	SX145700AV	1
18	Defensa	SX141800AV	1	57	Pasador de resorte - 2.5 x 10	★	1
19	Boquilla	SX141900AV	1	58	Tornillo - M3 x 6	★	1
20	Tornillo - M3 x 20	★	1	59	Magneto	SX146000AV	3
21	Pasador de resorte - 3 x 14	★	1	60	Riel	SX146100AV	1
22	Protector contra el polvo	SX142200AV	1	61	Empaque	SX146200AV	1
23	Tornillo - M5 x 14	★	1	62	Brazo	--	1
24	Arandela de resorte	★	1	63	Tornillo - M6 x 25	★	1
25	Guía de la cuchilla	SX142500AV	1	64	Tapón de aire	★	1
26	Guía de puntillas dentadas	SX142600AV	1	65	Llave 5 mm	■	1
27	Zapata		-- 1	66	Llave 4 mm	■	1
28	Pata de goma	SX142800AV	2	67	Llave 3 mm	■	1
29	Casquillo	SX142900AV	1	68	Soporte de llaves	■	1
30	Tornillo - M6 x 16	★	1	69	Martillo	SX147000AV	1
31a	Placa de zapata gruesa, 7,9 mm (5/16")	SX143100AV	1	<b>JUEGOS DE REPUESTOS</b>			
31b	Placa de zapata delgada, 6,4 mm (1/4")	SX143200AV	1	▲	Juego completo de anillos en O	SKN09100AV	
32	Tornillo - M6 x 12	★	1	■	Juego de llaves	SKN09200AV	
33	Pasador de resorte - 2 x 14	★	1	★	Artículo estándar de ferretería - disponible en su ferretería local		
34	Cargador	SX143500AV	1				
35	Arandela de resorte	★	1				
36	Tornillo - M6 x 35	★	1				
37	Impulsor	SX143800AV	1				
38	Resorte de empuje	SX143900AV	2				
39	Placa terminal del cargador	SX144000AV	1				

**Recordatorio:** ¡Guarde su comprobante de compra con fecha para fines de la garantía! Adjúntela a este manual o archívela en lugar seguro.

---

## Garantía Limitada

1. DURACION: A partir de la fecha de compra por el comprador original tal como se especifica a continuación: Productos Estándar (Standard Duty) - Un año, Productos Resistentes (Serious Duty) - Dos años, Productos Robustos (Extreme Duty) - Tres años.
2. QUIEN OTORGA ESTA GARANTIA (EL GARANTE: Campbell Hausfeld / The Scott Fetzer Company 100 Production Drive, Harrison, Ohio 45030 Teléfono: (800) 543-6400
3. QUIEN RECIBE ESTA GARANTIA (EL COMPRADOR): El comprador original (que no sea un revendedor) del producto Campbell Hausfeld.
4. PRODUCTOS CUBIERTOS POR ESTA GARANTIA: Cualquier clavadora, grapadora, herramienta neumática, pistola pulverizadora, inflador o accesorio neumático suministrado o fabricado por el Garante.
5. COBERTURA DE LA GARANTIA: Los defectos substanciales de material y fabricación que ocurran dentro del período de validez de la garantía.
6. LO QUE NO ESTA CUBIERTO POR ESTA GARANTIA:
  - A. Las garantías implícitas, incluyendo aquellas de comercialidad E IDONEIDAD PARA FINES PARTICULARES, ESTAN LIMITADOS A LO ESPECIFICADO EN EL PARRAFO DE DURACION. Si este producto es empleado para uso comercial, industrial o para renta, la garantía será aplicable por noventa (90) días a partir de la fecha de compra. En algunos estados no se permiten limitaciones a la duración de las garantías implícitas, por lo tanto, en tales casos esta limitación no es aplicable.
  - B. CUALQUIER PERDIDA DAÑO INCIDENTAL, INDIRECTO O CONSECUENTE QUE PUEDA RESULTAR DE UN DEFECTO, FALLA O MALFUNCIONAMIENTO DEL PRODUCTO CAMPBELL HAUSFELD. En algunos estados no se permite la exclusión o limitación de daños incidentales o consecuentes, por lo tanto, en tales casos esta limitación o exclusión no es aplicable
  - C. Cualquier falla que resulte de un accidente, abuso, negligencia o incumplimiento de las instrucciones de funcionamiento y uso indicadas en el (los) manual(es) que se adjunta(n) al producto. Dichos accidentes, abusos por parte del comprador, o falta de operar el producto siguiendo las instrucciones del manual de instrucciones suministrado también debe incluir la desconexión o modificación de los instrumentos de seguridad. Si dichos instrumentos de seguridad son desconectados, la garantía quedaría cancelada.
  - D. Los ajustes normales explicados en el(los) manual(es) suministrado(s) con el producto.
  - E. Artículos o servicios normalmente requeridos para el mantenimiento del producto, tales como: anillos en O, resortes, amortiguadores, defensas, hojas de impulsor, fusibles, baterías, empaques, almohadillas o sellos, boquillas de fluido, agujas, boquillas para rociar arena, lubricantes, mangueras de material, elementos filtrantes, álabes de motores, abrasivos, hojillas, discos para cortar, cinceles, retenes para cinceles, cortadores, collarines, mandriles, mordazas para remachadoras, brocas para desarmadores, almohadillas para lijar, soportes de almohadillas, mecanismo de impacto o cualquier otro artículo desgastable que no se haya enumerado específicamente. Estos artículos sólo estarán cubiertos bajo esta garantía por noventa (90) días a partir de la fecha de compra original. Los artículos subrayados sólo están garantizados por defectos de material o fabricación.
7. RESPONSABILIDADES DEL GARANTE BAJO ESTA GARANTIA: Reparar o reemplazar, como lo decida el Garante, los productos o componentes que estén defectuosos, se hayan dañado o hayan dejado de funcionar adecuadamente, durante el período de validez de la garantía
8. RESPONSABILIDADES DEL COMPRADOR BAJO ESTA GARANTIA:
  - A. Suministrar prueba fechada de compra y la historia de mantenimiento del producto.
  - B. Entregar o enviar el producto o componente Campbell Hausfeld al Centro de Servicio autorizado Campbell Hausfeld más cercano. Los gastos de flete, de haberlos, deben ser pagados por el comprador.
  - C. Seguir las instrucciones sobre operación y mantenimiento del producto, tal como se indica(n) en el (los) manual(es) del propietario
9. CUANDO EFECTUARA EL GARANTE LA REPARACION O REEMPLAZO CUBIERTO BAJO ESTA GARANTIA: La reparación o reemplazo dependerá del flujo normal de trabajo del centro de servicio y de la disponibilidad de repuestos.

Esta garantía limitada es válida sólo en los EE.UU., Canadá y México y otorga derechos legales específicos. Usted también puede tener otros derechos que varían de un Estado a otro. o de un país a otro.

---





