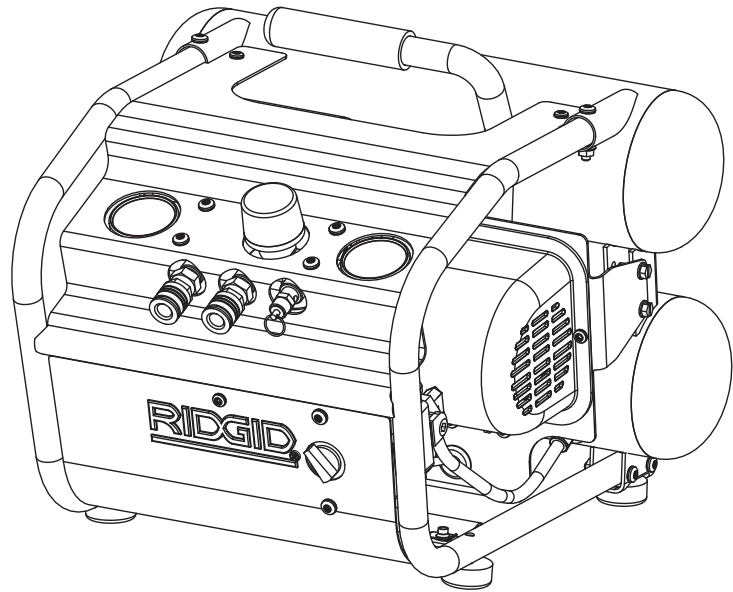




OF25150A OPERATOR'S MANUAL



2.5 GALLON TWIN STACK PORTABLE AIR COMPRESSOR

▲WARNING:

To reduce the risk of injury, the user must read and understand the Operator's Manual before using this product.

Table of Contents

Section	Page	Section	Page
Safety Instructions	3 - 5	Installation	7
Safety Signal Words	3	Getting to Know Your Air Compressor ...	8 - 9
Before Using the Air Compressor	3	Operating Your Air Compressor	10
Spraying Precautions	4	Moisture in Compressed Air	10
Warning Labels	5	Operating Your Air Compressor	10
Motor Specifications and Electrical		Trouble-Free Operation	10
Requirements	5 - 6	Maintenance	11
Power Supply	5	Maintenance Schedule	11
General Electrical Connections	6	Troubleshooting	12 - 13
110-120 volt, 60Hz Tool Information	6	Repair Parts	14 - 17
Extension Cords	6	Warranty	18
Thermal Overload Protector	6		
Glossary of Terms	7		
Unpacking and Checking Contents	7		

Safety Instructions

This manual contains information that is very important to know and understand. This information is provided for SAFETY and to PREVENT EQUIPMENT PROBLEMS. To help recognize this information, observe the following symbols.

Safety Signal Words

▲ DANGER: Danger indicates an imminently hazardous situation which, if not avoided, will result in death or serious injury.

▲ WARNING: Warning indicates a potentially hazardous situation which, if not avoided, could result in death or serious injury.

▲ CAUTION: Caution indicates a potentially hazardous situation which, if not avoided, may result in minor or moderate injury.

NOTICE: Notice indicates important information, that if not followed, may cause damage to equipment.

Before Using the Air Compressor

CALIFORNIA PROPOSITION 65

▲ WARNING:

This product or its power cord may contain chemicals, including lead, known to the State of California to cause cancer and birth defects or other reproductive harm. Wash hands after handling.

▲ WARNING:

You can create dust when you cut, sand, drill or grind materials such as wood, paint, metal, concrete, cement, or other masonry. This dust often contains chemicals known to cause cancer, birth defects, or other reproductive harm. Wear protective gear.



Air compressors are utilized in a variety of air system applications. Because air compressors and other components (material pump, spray gun, filters, lubrications, hoses, etc.) used make up a high pressure pumping system, the following safety precautions should be observed at all times. Only persons well acquainted with these rules of safe operation should be allowed to use the air compressor.

▲ WARNING:

All electrical work should be done by a qualified (licensed or certified) electrician. On a properly wired circuit, the black wires supply a voltage potential even when the unit is off.

1. Read instruction manuals for each component carefully, before attempting to assemble, disassemble or operate your particular system.
2. Wear safety glasses (meeting ANSI Z87.1 or in Canada CSA Z94.3-99) and use hearing protection when operating the pump or unit. Everyday glasses are not safety glasses.

3. Do not exceed pressure rating of any component in system.
4. Protect material lines and air lines from damage or puncture. Keep hose and power cable away from sharp objects, chemical spills, oil, solvents, and wet floors.
5. Never point a spray gun at oneself or any other person. Accidental discharge may result in serious injury.
6. Check hoses for weak or worn condition, before each use, making certain all connections are secure; do not use if fault is found. Contact an authorized service facility for examination or repair.
7. Release all pressures within system slowly; dust and debris may be harmful.
8. Follow all local electrical and safety codes, as well as the National Electrical Code (NEC) and the Occupational Safety and Health Act (OSHA).

▲ WARNING:

Disconnect power and depressurize system before servicing air compressor! (Turn pressure regulator knob fully clockwise after shutting off compressor.)

9. Wiring and fuses should follow electrical codes, current capacity, and be properly grounded.
10. Electric motors must be securely and adequately grounded. See grounding instructions and extension cord information in this manual.
11. Always disconnect power source before working on or near a motor, or its connected load. If power disconnect point is out-of-sight, lock it in the open position and tag to prevent unexpected application of power.
12. Guard all moving parts; keep visitors away. Never allow children in work area.

Safety Instructions (Continued)

13. Use only a properly grounded outlet that will accept a three pronged plug, and wear shoes to prevent shock hazards.
14. Be careful when touching exterior of operating motor; it may be hot enough to cause injury.
15. Protect power cable from coming in contact with sharp objects.
16. Clean electrical or electronic equipment with an approved cleaning agent, such as dry, nonflammable cleaning solvent.
17. To avoid spontaneous combustion, discard waste rags into approved metal waste cans.
18. Never store flammable liquids or gases in vicinity of compressor.
19. When spraying with solvent or toxic chemicals, follow instructions provided by the chemical manufacturer.
20. Spray in a well ventilated area, to keep fumes from collecting and causing health and fire hazards.
21. Do not spray in vicinity of open flames or other places where a spark can cause ignition. Do not smoke when spraying paint, insecticides, or other flammable substances.
22. Use a respirator when spraying.
23. NEVER tamper with safety valve or pressure switch. Keep safety valve free from paint and other accumulations. This provides safety against over pressure.
24. Do regular maintenance; keep all nuts, bolts, and screws tight, to be sure equipment is in safe working condition.
25. Keep cleaning rags and other flammable waste materials in a tightly closed metal container and dispose of later in the proper fashion.
26. Drain tanks of moisture after each day's use. If unit will not be used for a while, it is best to leave drain cock open until such time as it is to be used. This will allow moisture to completely drain out and help prevent corrosion of inside of tanks.
27. Inspect tanks yearly for pin holes or any other imperfections that could cause it to become unsafe. NEVER weld or drill holes in air tanks.
28. This product is not intended for installation or use in a commercial garage or the like.

Spraying Precautions

▲WARNING:

Do not spray flammable materials in vicinity of open flame or near ignition sources including the compressor unit.



1. Do not smoke when spraying paint, insecticides, or other flammable substances.
2. Use a face mask / respirator when spraying and spray in a well ventilated area to prevent health and fire hazards.



3. Do not direct paint or other sprayed material at the compressor. Locate compressor as far away from the spraying area as possible to minimize overspray accumulation on the compressor.
4. When spraying or cleaning with solvents or toxic chemicals, follow the instructions provided by the chemical manufacturer.

▲DANGER:

Breathable Air Warning

This compressor / pump is not equipped and should not be used "as is" to supply breathing quality air. For any application of air for human consumption, the air compressor/pump will need to be fitted with suitable in-line safety and alarm equipment. This additional equipment is necessary to properly filter and purify the air to meet minimal specifications for Grade D breathing as described in Compressed Gas Association Commodity Specification G 7.1 - 1966, OSHA 29 CFR 1910. 134, and/or Canadian Standards Associations (CSA).

DISCLAIMER OF WARRANTIES

In the event the compressor is used for the purpose of breathing air application and proper in-line safety and alarm equipment is not simultaneously used, existing warranties shall be voided, and Campbell Hausfeld disclaims any liability whatsoever for any loss, personal injury or damage.

Safety Instructions (Continued)

Warning Labels

Find and read all warning labels found on the air compressor.

⚠ WARNING	⚠ AVERTISSEMENT	⚠ ADVERTENCIA
• READ INSTRUCTION MANUAL BEFORE OPERATING.	• LIRE LE MANUEL D'UTILISATION AVANT DE FAIRE FONCTIONNER LE MODÈLE.	• LEA EL MANUAL DE INSTRUCCIONES ANTE OPERAR.
• RISK OF FIRE OR EXPLOSION - DO NOT SPRAY COMBUSTIBLE/FLAMMABLE LIQUID IN A CONFINED AREA. SPRAY AREA MUST BE WELL VENTILATED. DO NOT SMOKE WHILE SPRAYING OR APRAY WHERE SPARK OR FLAME IS PRESENT. ARCING PARTS - KEEP COMPRESSOR AT LEAST 20 FEET AWAY FROM SPRAYING AREA AND ALL EXPLOSIVE VAPORS. DO NOT CARRY WHILE PAINTING.	• RISQUE D'INCENDIE OU D'EXPLOSION - NE PAS PULVÉRISER LES LIQUIDES COMBUSTIBLES/INFLAMMABLES DANS UN ENDROIT CLOS. L'ENDROIT DE PULVÉRISATION DOIT ÊTRE BIEN VENTILÉ. NE PAS FUMER PENDANT LA PULVÉRISATION NI PULVÉRISER DANS L'ENDROIT D'UNE FLAMME OU D'UNE ÉTINCELLE. PIÈCES QUI PROJettent DES ÉTINCELLES - GARDER LE COMPRESSEUR AU MOINS 6.1 M DE L'ENDROIT DE PULVÉRISATION ET TOUTES VAPEURS EXPLOSIVES. NE PORTEZ PAS TOUT EN PEIGNANT.	• RIESGO DE INCENDIO O EXPLOSIÓN - NO ROCÍE LÍQUIDOS COMBUSTIBLES/INFLAMMABLES EN UN ÁREA ENCERRADA. EL ÁREA DE TRABAJO DEBE ESTAR BIEN VENTILADA. NO FUME MIENTRAS ESTE ROCIANDO NI ROCIE CERCA DE CHISPAS O LLAMAS, PIEZAS QUE PRODUCEN ARCOS ELÉCTRICOS-MANTENGA EL COMPRESOR AL MENOS A 6.1 M DE DISTANCIA DEL ÁREA DONDE ESTE ROCIANDO O DE DONDE HAYA CUALQUIER TIPO DE VAPORES EXPLOSIVOS. NO LLEVE MIENTRAS QUE PINTA.
• RISK OF INJURY - DO NOT DIRECT AIR SYSTEM AT BODY. USE EYE PROTECTION. COMPRESSOR STARTS AUTOMATICALLY. MOVING PARTS. DO NOT TOUCH. KEEP GUARDS IN PLACE. COMPRESSOR DOES NOT SUPPLY BREATHABLE AIR.	• RISQUE DE BLESSURE - NE PAS DIRIGER LE JET D'AIR VERS VOTRE CORPS. UTILISER LA PROTECTION OCULAIRE. LE COMPRESSEUR SE DEMARRE AUTOMATIQUEMENT. PIÈCES MOBILES N'Y TOUCHEZ PAS. GARDER LES APPAREILS PROTECTEURS EN PLACE. LE COMPRESSEUR NE FOURNIT PAS DE L'AIR RESPIRABLE.	• RIESGO DE HERIDAS - NO DIRIJA EL FLUJO DE AIRE DIRECTAMENTE AL CUERPO. PROTEJASE LA VISTA. EL COMPRESOR SE ENCIENDE AUTOMÁTICAMENTE. PIEZAS QUE SE MUEVEN. NO LAS TOQUE. MANTÉNGALAS PROTEGIDAS. EL COMPRESOR NO LE SUMINISTRA AIRE RESPIRABLE.
• RISK OF BURSTING - DO NOT ADJUST REGULATOR TO RESULT IN OUTPUT PRESSURE GREATER THAN MARKED MAXIMUM PRESSURE OR ATTACHMENT. IF A REGULATOR HAS NOT BEEN INSTALLED, USE ONLY ATTACHMENT RATED AT 200 PSI OR HIGHER. DO NOT WELD ON OR REPAIR TANK - REPLACE. DO NOT OPERATE WITHOUT PROPER ASME SAFETY VALVE IN PLACE.	• RISQUE D'ÉCLATEMENT - NE PAS AJUSTER LE RÉGULATEUR AFIN D'OBTENIR UNE PRESSION DE DÉCHARGE PLUS ÉLEVÉE QUE LA PRESSION MAXIMUM DE L'ACCESSOIRE. S'IL N'Y A PAS DE RÉGULATEUR, UTILISER SEULEMENT LES ACCESSOIRES QUI SONT CLASSIFIÉS À 1379 kPa OU PLUS. NE PAS SOUDER SUR NI RÉPARER LE RÉSERVOIR - LE REMPLACER. NE PAS FAIRE FONCTIONNER SANS QU'IL Y AIT UNE SOUPAPE DE SÛRETÉ ASME EN PLACE.	• RIESGO DE EXPLOSIÓN - NO AJUSTE EL REGULADOR PARA OBTENER UNA PRSIÓN DE SALIDA SUPERIOR A LA INDICADA COMO PRESIÓN MÁXIMA DEL ACCESORIO. SI NO HA INSTALADO UN REGULADOR, USE SÓLO ACCESORIOS DISEÑADOS PARA PRESIONES DE 13.8 BAR O MÁS. NO SUELDE NI REPARE EL TANQUE - REEMPLÁCELO. NO LO OPERE SIN HABERLE INSTALADO UNA VALVULA DE SEGURIDAD ASME ADECUADA.
• RISK OR ELECTRICAL SHOCK - HAZARDOUS VOLTAGE: DISCONNECT FROM POWER SOURCE BEFORE SERVICING. COMPRESSOR MUST BE GROUNDED. DO NOT USE GROUNDING ADAPTORS. DO NOT EXPOSE TO RAIN. INDOOR USE ONLY.	• RISQUE DE SECOURSSE ÉLECTRIQUE - TENSION HASARDEUSE: DÉBRANCHER DE LA SOURCE DE PUISSANCE AVANT DE PROCÉDER À L'ENTRETIEN. LE COMPRESSEUR DOIT ÊTRE MIS À LA TERRE. NE PAS UTILISER DES ADAPTATEURS DE MISE À LA TERRE. NE PAS EXPOSER À LA PLUIE. UTILISATION D'INTERIEUR SEULEMENT.	• RIESGO DE CHOQUE ELÉCTRICO - VOLTAJE PELIGROSO: DESCONECTELO DEL TOMACORRIENTES ANTES DE DARLE SERVICIO. EL COMPRESOR SE DEBE CONECTAR A TIERRA. NO USE ADAPTADORES PARA CONECTARLO A TIERRA. NO LO DEJE A LA INTemperIE, USO DE INTERIOR SOLAMENTE.
• IF CONNECTED TO A CIRCUIT PROTECTED BY FUSES, USE TIME-DELAYED FUSE MARKED "D".	• SI BRANCHÉ À UN CIRCUIT PROTÉGÉ PAR DES FUSIBLES, UTILISER UNE FUSIBLE À RETARDEMENT MARQUÉE "D".	• SI LO CONECTA A UN CIRCUITO PROTEGIDO CON FUSIBLES, USE FUSIBLES DE ACCIÓN RETARDADA TIPO "D".
COMPLIES WITH CCR462 (L)(2).	SE CONFORME AU CCR462 (L)(2).	CUMPLE CON LAS ESPECIFICACIONES CCR462 (L)(2). <small>CCR462SOCAV 1/00</small>



Motor Specifications and Electrical Requirements

Power Supply and Motor Specifications

⚠ WARNING:

To reduce the risk of electrical hazards, fire hazards or damage to the tool, use proper circuit protection. Your tool is wired at the factory for operation using the voltage shown. Connect tool to a power line with the appropriate voltage and a 15-amp branch circuit. Use a 15-amp time delay type fuse or circuit breaker. To reduce the risk of shock or fire, if power cord is worn or cut, or damaged in any way, have it replaced immediately.

The AC motor on this unit is a universal type, having the following specifications.

Voltage	110 - 120
Amperes	15.0
Hertz	60
Phase	Single
RPM	17,500

It is wired at the factory for operation on 110 - 120V AC, 60 Hz service.

Motor Specifications and Electrical Requirements (Continued)

General Electrical Connections

⚠ DANGER:

To reduce the risk of electrocution:

1. Use only identical replacement parts when servicing. Servicing should be performed by a qualified technician.
2. Do not use in rain or where floor is wet. This tool is intended for indoor residential use only.

⚠ WARNING:

Do not permit fingers to touch the terminals of plug when installing or removing the plug to or from the outlet.

110-120 volt, 60Hz Tool Information

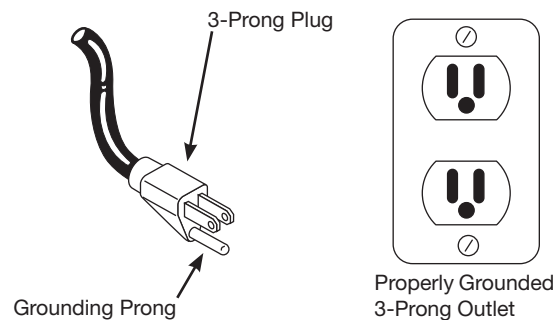
The plug supplied on your tool may not fit into the outlet you are planning to use. Your local electrical code may require slightly different power cord plug connections. If these differences exist refer to and make the proper adjustments per you local code before your tool is plugged in and turned on.

In the event of an electrical short circuit, grounding provides a path of least resistance for electrical current to reduce the risk of electric shock. This tool is equipped with an electric cord having an equipment-grounding conductor and a grounding plug, as shown. The plug must be plugged into a matching outlet that is properly installed and grounded in accordance with all local codes and ordinances.

Do not modify the plug provided. If it will not fit the outlet, have the proper outlet installed by a qualified electrician.

Improper connection of the equipment-grounding conductor can result in a risk of electric shock. The conductor with insulation having an outer surface that is green with or without yellow stripes is the equipment-grounding conductor. If repair or replacement of the electric cord or plug is necessary, do not connect the equipment-grounding conductor to a live terminal.

This product is for use on a nominal 120-Volt circuit and has a grounding plug similar to the plug illustrated below. Only connect the product to an outlet having the same configuration as the plug. Do not use an adapter with this product.



If the grounding instructions are not completely understood, or if you are in doubt as to whether the tool is properly grounded check with a qualified electrician or service personnel.

⚠ WARNING:

If not properly grounded, this tool can cause an electrical shock, particularly when used in damp locations, in proximity of plumbing, or out of doors.

Extension Cords

1. The air compressor should be located where it can be directly plugged into an outlet. An extension cord should not be used with this unit.
2. To avoid loss of power and overheating, additional air hose must be used to reach work area instead of extension cords.

Thermal Overload Protector

⚠ CAUTION:

This compressor is equipped with an automatic reset overload protector which will shut off motor if it becomes overloaded.

If overload protector shuts motor OFF frequently, look for the following causes.

1. Low voltage.

2. Clogged air filter.
3. Lack of proper ventilation.

See Troubleshooting Chart for corrective action.

⚠ CAUTION:

If the overload protector is actuated, the motor must be unplugged and allowed to cool down for 30 minutes before reuse.

Glossary of Terms

ASME Safety Valve

A safety valve that automatically releases the air if the tanks' pressure exceeds the preset maximum.

PSI (Pounds per Square Inch)

Measurement of the pressure exerted by the force of the air. The actual psi output is measured by a pressure gauge on the compressor

SCFM (Standard Cubic Feet per Minute)

Sometimes called CFM (Cubic Feet per Minute). Measurement of air volume delivered by the compressor.

Air Delivery

A combination of psi and SCFM. The air delivery required by a tool is stated as (number) SCFM at (number) psi. The combination of these figures determines what size unit is needed.

Air Tank Capacity

The volume of air stored in the tanks and available for immediate use. Large tanks allow the intermittent use of an air tool with an air requirement higher than the compressor's rated delivery.

Volts or Voltage

A measurement of the force of an electrical current.

Amps or Amperage

A measure of the electrical force minus the resistance on an electrical line. Ridgid air compressors require 15 amps for operation. Be sure the compressor will operate on an electrical line with the proper amps. If other appliances operate on the same line, they will reduce the available amps. If the amperage is not adequate, the result will be blown fuses or tripped circuits.

Regulator

A control that adjusts the line pressure to the proper amount needed to operate spray guns and air tools.

Tanks Pressure Gauge

Indicates pressure of the air tanks in psi.

Regulated Outlet Gauge

Displays the current line pressures. It is regulated by the regulator knob.

Cut-in/Cut-off Pressure

Specific psi at which a compressor starts and stops while refilling the air tanks.

Universal Motor

A lightweight AC single phase brush-type motor that rotates at high RPMs.

Unpacking and Checking Contents

1. Remove the air compressor from the carton.
2. Place the compressor on a secure, level, and stationary work surface and look it over carefully.

▲WARNING:

For your own safety, never operate unit until all assembly steps are complete and until you have read and understood the entire operator's manual.

▲WARNING:

To reduce the risk of injury, if any parts are missing, do not attempt to operate the air compressor until the missing parts are obtained and installed correctly.

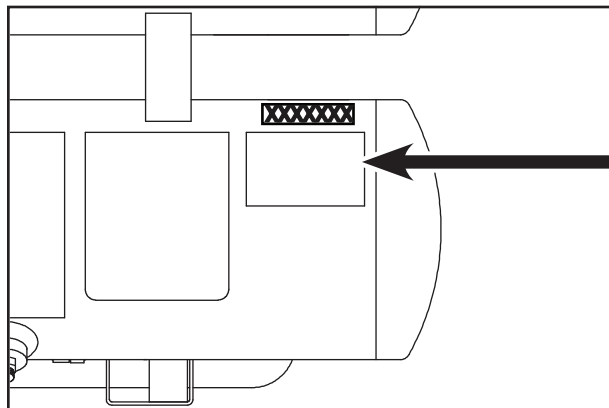
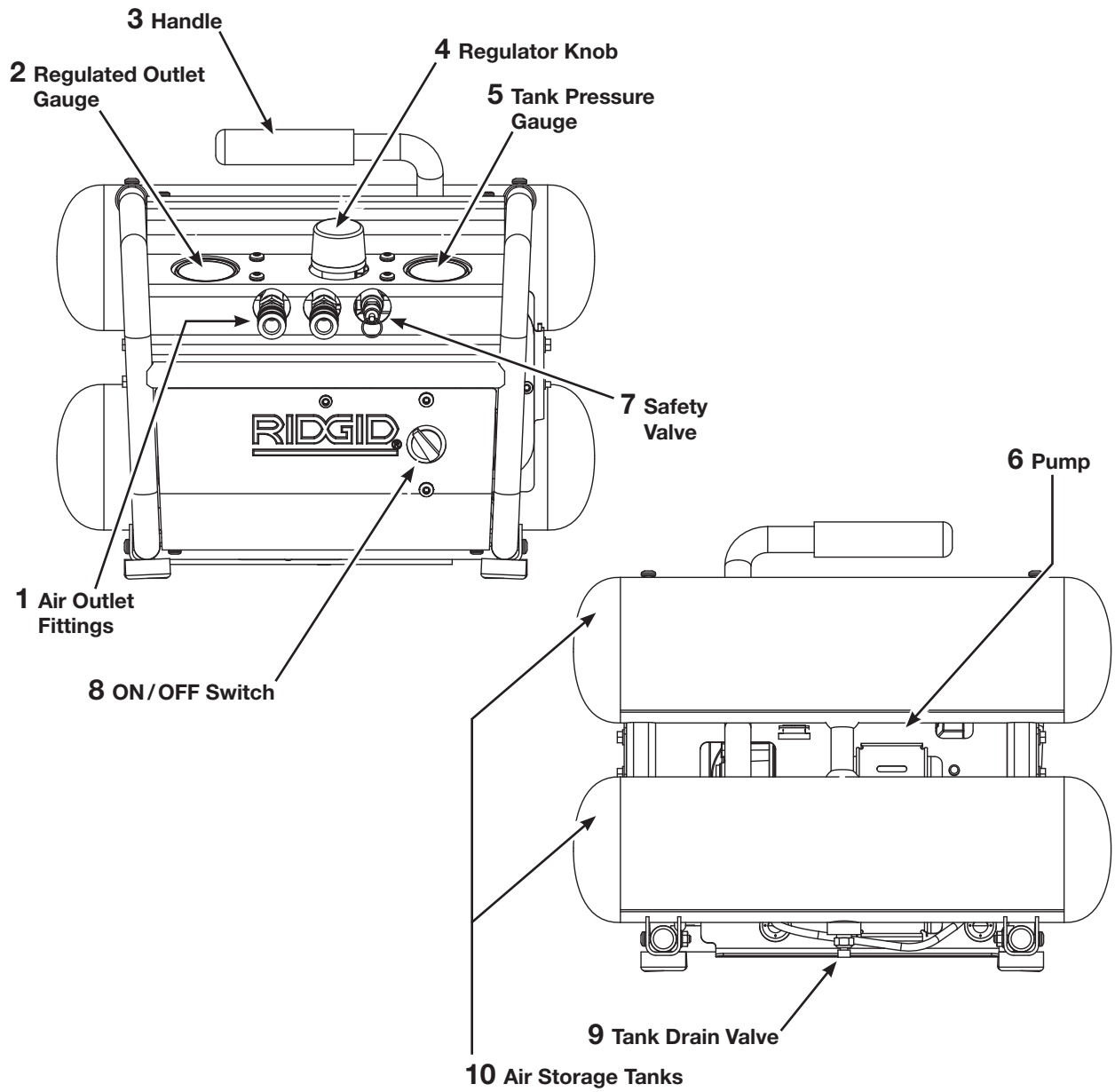
▲WARNING:

Do not operate unit if damaged during shipping, handling or use. Damage may result in bursting and cause injury or property damage.

Installation

1. Check and tighten all bolts, fittings, etc., before operating compressor.
2. Operate compressor in a ventilated area so that compressor may be properly cooled.
3. Compressor should be located where it can be directly plugged into an outlet. An extension cord should not be used with this unit.
4. To avoid loss of power and overheating, additional air hose must be used to reach work area instead of extension cords.

Getting to Know Your Air Compressor



Model Number Decal

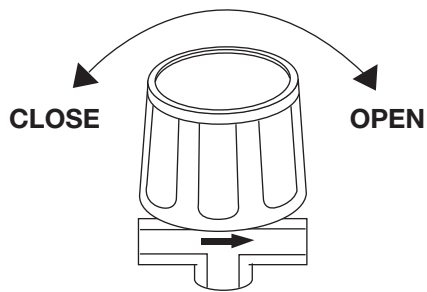
Getting to Know Your Air Compressor (Continued)

1. Air Outlet Fittings. These fittings are 1/4 inch universal-style quick connect fittings and allow rapid tool changes.

2. Regulated Outlet Gauge. This gauge shows at-a-glance, air pressure at outlet. Air pressure is measured in pounds per square inch (PSI). Most tools have maximum pressure ratings. Never exceed the maximum pressure rating of the tool you are using. Be sure this gauge reads ZERO before changing air tools or disconnecting hose from outlet.

3. Handle. Used to move the compressor.

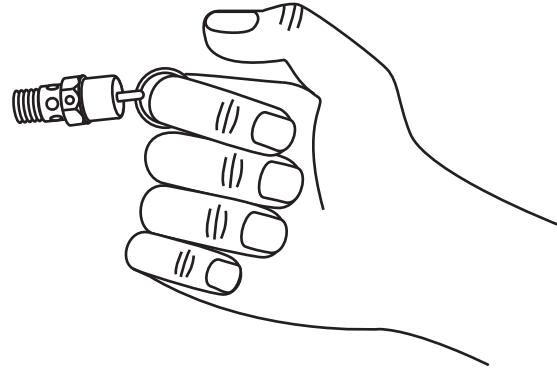
4. Regulator Knob. This knob controls air pressure to an air operated tool or paint spray gun. Turning the knob clockwise increases air pressure at the outlet. Turning counterclockwise will lower air pressure at the outlet. Fully counterclockwise will shut off the flow of air completely.



5. Tank Pressure Gauge. Gauge shows pressure in tank indicating compressor is building pressure properly.

6. Pump. The pump takes in air and generates the pressurized air in the air storage tanks.

7. ASME Safety Valve. This valve automatically releases air if the tank pressure exceeds the preset maximum.



8. On/Off Switch. This switch allows manual control of the compressor. Note that when the switch is turned on, the compressor will automatically start and stop depending on tank pressure.

9. Tank Drain Valve. The tank drain valve allows moisture to be removed from the tanks.

10. Air Storage Tanks. The tanks store air for later use.

Operating Your Air Compressor

Moisture in Compressed Air

Moisture in compressed air will form into droplets as it comes from an air compressor pump. When humidity is high or when a compressor is in continuous use for an extended period of time, this moisture will collect in the tanks. When using a paint spray or sandblast gun, this water will be carried from the tanks through the hose, and out of the gun as droplets mixed with the spray material.

IMPORTANT: This condensation will cause water spots in a paint job, especially when spraying other than water based paints. If sandblasting, it will cause the sand to cake and clog the gun, rendering it ineffective.

A filter in the air line, located as near to the gun as possible, will help eliminate this moisture.

Operating Your Air Compressor

Make sure the tank drain valve is closed, the regulator knob is turned fully counterclockwise, and the On/Off switch is in the Off position.

Plug compressor into a dedicated 15 Amp (minimum) circuit.

Turn On/Off switch to the On position. The compressor will now start building pressure.

After compressor reaches cut-off pressure, install a hose (with the desired air tool attached) into the outlet fitting.

Adjust the regulator knob to the desired pressure.

The compressor is now ready to operate.

▲WARNING:

Do not over-pressurize any air tool. Consult air tool instructions for proper air tool pressure.

For Trouble-Free Operation

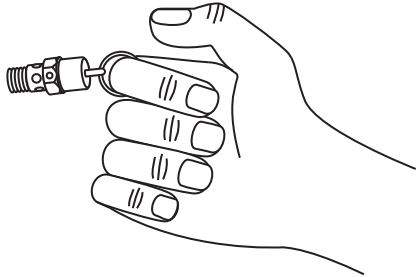
1. Read instructions: Carefully read through this operator's manual BEFORE OPERATING the new air compressor. It contains information about operation and maintenance of the unit.
2. Drain tanks daily: Depressurize system prior to draining tanks by manually releasing air from the safety valve. Open tank drain valve and drain moisture from tank. This helps keep oil and moisture out of the compressed air system. Be sure to close tank drain valve tightly before operating compressor.

Maintenance

⚠ WARNING:

Release all pressure and disconnect power before making any repair.

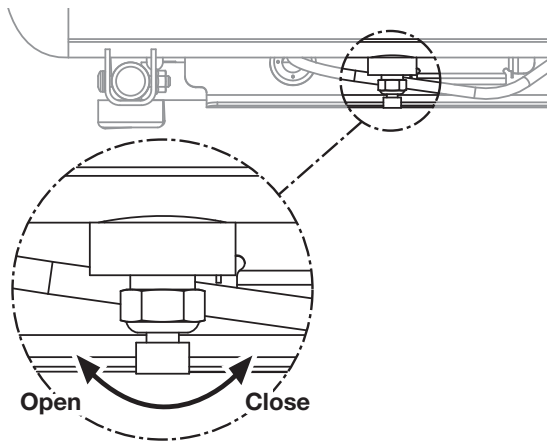
1. Check compressor for any visible problems, especially check air filter to be sure it is clean.
2. Pull ring on safety valve and allow it to snap back to normal position.



⚠ WARNING:

Safety valve must be replaced if it cannot be actuated or it leaks air after ring is released.

3. Drain moisture from tanks daily. Shut compressor off. Depressurize system prior to draining tanks. Drain moisture from tanks by opening the tank drain valve underneath the tanks.



4. Turn power OFF and clean dust and dirt from motor, tank, air lines and pump cooling fins.

IMPORTANT: Unit should be located as far from spraying area as hose will allow to prevent over-spray from clogging filter.

TANK

⚠ DANGER:

Never attempt to repair or modify a tank! Welding, drilling or any other modification will weaken the tank resulting in damage from rupture or explosion. Always replace worn, cracked or damaged tanks.

NOTICE:

Drain liquid from tanks daily.

The tanks should be carefully inspected at a minimum of once a year. Look for cracks forming near the welds. If a crack is detected, remove pressure from tank immediately and replace.

STORAGE

1. When not in use, compressor should be stored in a cool dry place.
2. Tanks should be drained of moisture.
3. Hose should be disconnected and hung open ends down to allow any moisture to drain.

Maintenance Schedule

Operation	Daily	Weekly
Drain tanks	●	
Check Safety Valve		●
Blow Dirt from Inside Motor		●

Troubleshooting

⚠ WARNING:

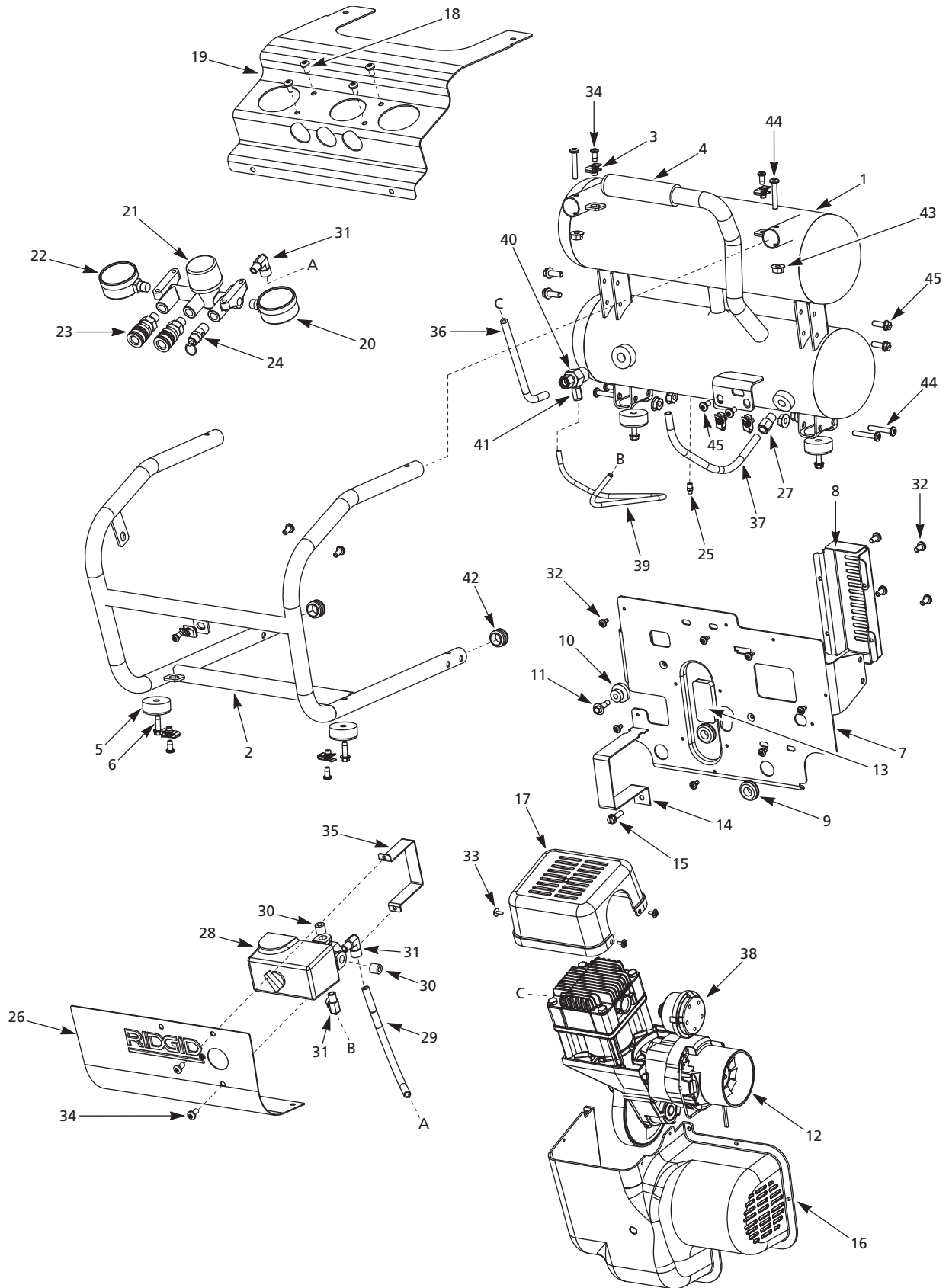
For your own safety do not try to run the air compressor while troubleshooting.

TROUBLE	PROBABLE CAUSE	REMEDY
Compressor will not run	<ol style="list-style-type: none"> 1. Unit is plugged into extension cord 2. No electrical power, blown fuse, or tripped circuit breaker at electrical panel 3. Motor overheated / thermal overload open 4. Loose electrical connection 5. ON/OFF Switch bad 6. Pressure switch bad 7. Defective motor 	<ol style="list-style-type: none"> 1. Remove extension cord 2. Replace fuse or reset breaker, determine cause of problem 3. Unplug and allow motor to cool for 30 minutes. 4. Check all electrical connections 5. Replace ON/OFF Switch 6. Replace 7. Replace motor assembly
Motor hums but cannot run or runs slowly	<ol style="list-style-type: none"> 1. Low voltage 2. Unit is plugged into extension cord 3. Defective motor 4. Defective check valve or unloader valve (on pressure switch) 	<ol style="list-style-type: none"> 1. Check with voltmeter 2. Remove extension cord 3. Replace motor assembly 4. Replace
Fuses blow/circuit breaker trips repeatedly	<ol style="list-style-type: none"> 1. Incorrect size fuse, circuit overloaded 2. Unit is plugged into extension cord 3. Defective check valve or unloader valve (on pressure switch) 	<ol style="list-style-type: none"> 1. Check for proper fuse, use time-delay fuse. Disconnect other electrical appliances from circuit or operate compressor on its own branch circuit 2. Remove extension cord 3. Replace
Thermal overload protector cuts out repeatedly	<ol style="list-style-type: none"> 1. Low voltage 2. Clogged air filter 3. Lack of proper ventilation / room temperature too high 4. Unit is plugged into extension cord 	<ol style="list-style-type: none"> 1. Check with voltmeter 2. Clean filter (see Maintenance section) 3. Move compressor to well ventilated area 4. Remove extension cord
Tank pressure drops when compressor shuts off	<ol style="list-style-type: none"> 1. Loose connections (fittings, tubing, etc.) 2. Open tank drain valve 	<ol style="list-style-type: none"> 1. Check all connections with soap and water solution and tighten or remove and apply sealant to threads, then reassemble 2. Close tank drain valve
Excessive moisture in discharge air	<ol style="list-style-type: none"> 1. Excessive water in air tanks 2. High humidity 	<ol style="list-style-type: none"> 1. Drain tanks 2. Move to area of less humidity; use air line filter
Compressor runs continuously	<ol style="list-style-type: none"> 1. Defective pressure switch 2. Excessive air usage 	<ol style="list-style-type: none"> 1. Replace switch 2. Decrease air usage; compressor not large enough for a requirement

Troubleshooting (Continued)

TROUBLE	PROBABLE CAUSE	REMEDY
Compressor vibrates	1. Loose rubber feet on tank 2. Loose pump / motor mounting bolts	1. Tighten screw holding rubber feet 2. Tighten pump / motor mounting bolts
Air output lower than normal	1. Broken inlet valves 2. Connections leaking	1. Have authorized service representative repair unit 2. Tighten connections
Motor runs but no air output	Belt worn / broken	Replace belt (and other parts in belt kit)

Repair Parts



Repair Parts

For Repair Parts, Call 1-800-4-RIDGID

Please provide following information:

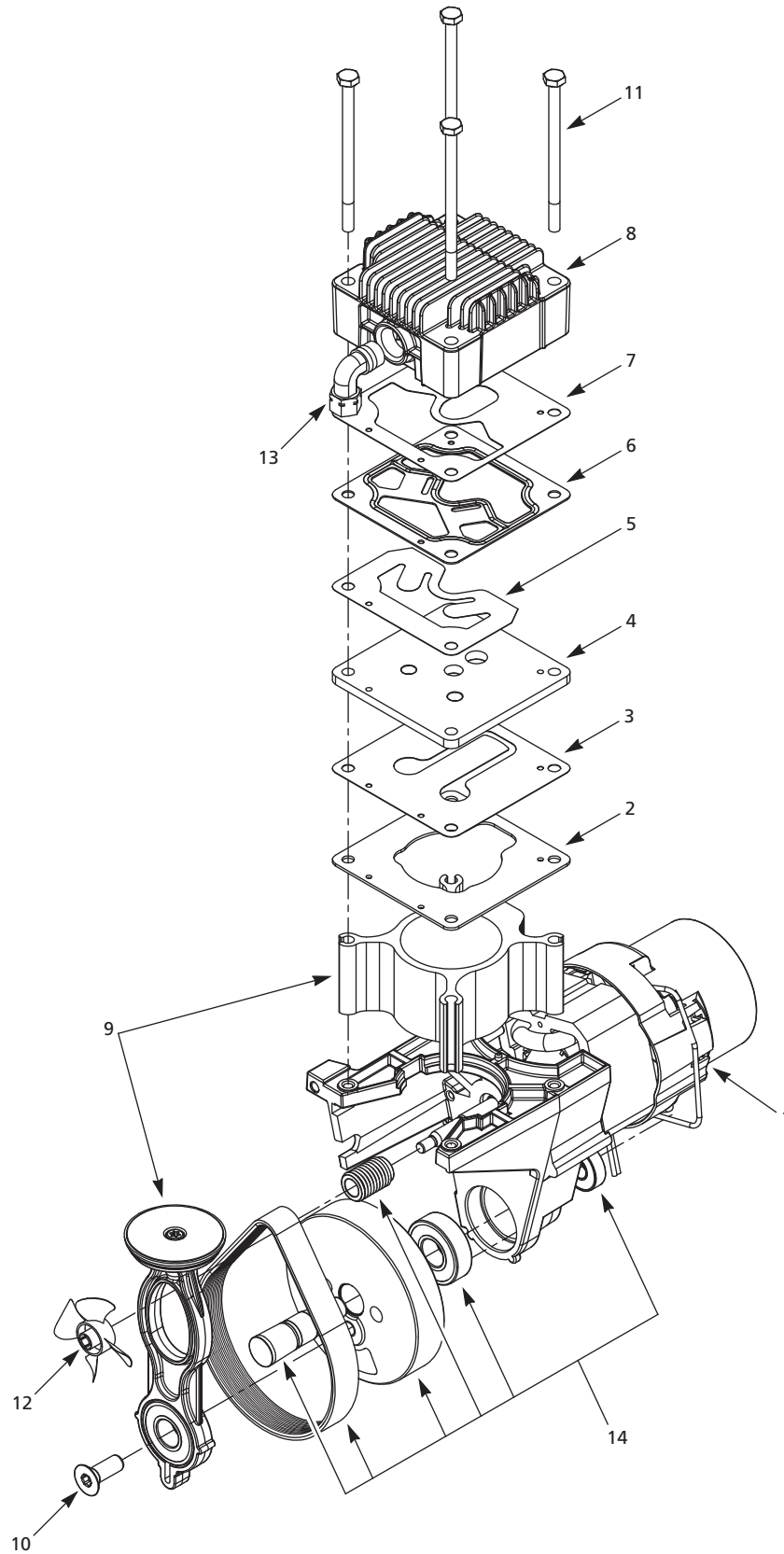
- Model number
- Serial number (if any)
- Part description and number as shown in parts list

Ref. No.	Catalogue Number	Part Number	Description	Qty.
1	33383	AR060701AV	Tank Assembly	1
2	--	--	Rollbar Frame Assembly	1
3	--	--	Lug - Palnut Multi-Thread Clip Nut	7
4	18028	ST160002AV	Handle Grip *	1
5	17853	ST158300AV	Rubber Feet	4
6	17848	ST073276AV	Self-tapping Screw 5/16 inch - 12	4
7	--	--	Baseplate	1
8	--	--	Eccentric Cover	1
9	33388	WL008000AV	7/8 inch Rubber Grommet *	2
10	33393	WL003204AV	Rubber Motor Mount	1
11	17713	ST158000AV	Shoulder Bolt 1/4 inch - 28	1
12	33398	WL390300AJ	Pump Motor Assembly *	1
13	33403	WL007802AV	Rubber Motor Isolation Pad	1
14	33408	BA018300AV	Motor Strap	1
15	33413	ST073236AV	Self-tapping Screw 1/4 inch - 20	1
16	--	WL040400AV	Motor Shroud Bottom	1
17	--	WL040500AV	Motor Shroud Top	1
18	17783	ST071626AV	Torx Button Head Screw 1/4 inch - 20	4
19	--	--	Top Manifold Cover	1
20	17773	GA016709AV	Pressure Gauge (0 psi - 250 psi) 1/4 inch NPT *	1
21	35023	WL022500AV	Manifold Body with Knob *	1
22	17878	GA016705AV	Pressure Gauge (0 psi - 250 psi) 1/4 inch NPT *	1
23	17873	HF203300AV	Coupler *	2
24	17798	V-215106AV	Safety Valve	1
25	17913	D-1403	Drain Valve *	1
26	--	--	Front Cover	1
27	17893	ST119305AV	Push-to-Fit Straight Tube Fitting 3/8 inch Tube	1
28	17908	CW211300AV	Pressure switch (includes pressure switch cover and unloader valve) *	1
29	18023	WL021402AV	Flexible Nylon Tube (7 inch length)	1
30	17888	ST022500AV	Plug 1/4 inch NPT	2
31	17868	ST119704AV	Push-to-Fit 90° Tube Fitting 3/8 inch Tube	3
32	--	--	Torx Pan Head Screw	11
33	33493	ST058501AV	Plascrew Hex Head with Washer	3
34	--	--	Torx Pan Head Screw 1/4 inch - 20 x 5/8 inch	7
35	--	--	Pressure Switch Strap	1
36	33423	WL046000SJ	Exhaust Tube * [Includes Nuts (2) and Ferules (2)]	1
37	33428	WL021409AV	Flexible Nylon Tube (11-3/4 inch length)	1
38	17703	WL026100AV	Filter	1
39	33443	ST117803AV	Flexible Tube (19 inch length)	1
40	33448	CV221513AV	Check Valve	1
41	20378	ST081301AV	Push-to-Fit Straight Tube Fitting 1/4 inch Tube	1
42	17918	ST073612AV	Tube Plug	2
43	--	†	Hex. Flange Nut 1/4 inch - 20	6
44	--	--	Torx Truss Head Screw 1/4 inch - 20 x 1-1/2 inch	6
45	17863	ST074415AV	Selftap Screw 1/4 inch - 20 x 3/4 inch	8
46	17883	CW210001AV	Unloader valve (Not Shown)	1
47	--	CW217800AV	Pressure switch cover (Not Shown)	1

REPAIR PARTS KITS

▲	17793	WL024501AV	Manifold kit (Includes #20-23)	1
---	-------	------------	--------------------------------	---

† = Standard Hardware Item -- = Not Available * = Considered wear items



Repair Parts

For Repair Parts, Call 1-800-4-RIDGID

Please provide following information:

- Model number
- Serial number (if any)
- Part description and number as shown in parts list

Ref. No.	Catalogue Number	Part Number	Description	Qty.
1	33463	WL019100SJ	Motor assembly kit (Includes #2, 3, 6, 7, 10, 12, & 14) *	1
2	--	▲	Cylinder gasket	1
3		▲	Intake valve *	1
4	--	▲	Valve plate *	1
5	--	▲	Exhaust valve *	1
6	--	▲	Exhaust valve gasket	1
7	--	▲	Head gasket	1
8	17948	WL010500AV	Head	1
9	33468	WL211000SJ	Piston / cylinder assembly (Includes #10) *	1
10	33473	ST071804AV	3/8 inch Flat head screw *	1
11	--	●	1/4 inch-20 x 4 inch Hex. head cap screw	4
12	33478	WL008400AV	Fan *	1
13	17943	ST072224AV	3/8 inch Compression Elbow	1
14	--	WL015304SJ	Belt kit (Includes #10, 12, check valve, & ferrules) *	1
REPAIR PARTS KITS				
▲	--	WL211201SJ	Valve plate kit (Includes #2-7)	1
●	--	WL211100AJ	Head bolt kit (Set of 4 ea., part #11)	1
† = Standard Hardware Item -- = Not Available * = Considered wear items				

RIDGID® AIR COMPRESSOR LIMITED THREE YEAR WARRANTY

This product is manufactured by Campbell Hausfeld. The trademark is licensed from Ridgid, Inc. All warranty communications should be directed to RIDGID air compressor technical service at (toll free) 1-800-4-RIDGID.

WHAT IS COVERED UNDER THE LIMITED THREE YEAR WARRANTY

This warranty covers all defects in workmanship or materials in this RIDGID air compressor for the three-year period from the date of purchase. This warranty is specific to this air compressor. Warranties for other RIDGID products may vary.

HOW TO OBTAIN SERVICE

To obtain service for this RIDGID air compressor you must return it, freight prepaid, to a service center authorized to repair RIDGID air compressors. You may obtain the location of the service center nearest you by calling (toll free) 1-800-4-RIDGID or by logging on to the RIDGID website at www.ridgid.com. When requesting warranty service, you must present the proof of purchase documentation, which includes a date of purchase. The authorized service center will repair any faulty workmanship, and either repair or replace any defective part, at Campbell Hausfeld's option at no charge to you.

WHAT IS NOT COVERED

This warranty applies only to the original purchaser at retail and may not be transferred. This warranty does not cover normal wear and tear components (see repair parts) or any malfunction, failure or defect resulting from misuse, abuse, neglect, alteration, modification or repair by other than a service center authorized to repair RIDGID branded air compressors. Expendable materials, such as oil, filters, etc. are not covered by this warranty. Gasoline engines and components are expressly excluded from coverage and you must comply with the warranty given by the engine manufacturer, which is supplied with the product. **CAMPBELL HAUSFELD MAKES NO WARRANTIES, REPRESENTATIONS OR PROMISES AS TO THE QUALITY OR PERFORMANCE OF ITS AIR COMPRESSORS OTHER THAN THOSE SPECIFICALLY STATED IN THIS WARRANTY. RIDGID, INC. MAKES NO WARRANTIES OR REPRESENTATIONS, EXPRESS OR IMPLIED, INCLUDING AS NOTED BELOW.**

ADDITIONAL LIMITATIONS

To the extent permitted by applicable law, all implied warranties, including warranties of MERCHANTABILITY or FITNESS FOR A PARTICULAR PURPOSE, are disclaimed. Any implied warranties, including warranties of merchantability or fitness for a particular purpose, that cannot be disclaimed under state law are limited to three years from the date of purchase. Campbell Hausfeld is not responsible for direct, indirect, incidental, special or consequential damages. Some states do not allow limitations on how long an implied warranty lasts and/or do not allow the exclusion or limitation of incidental or consequential damages, so the above limitations may not apply to you. This warranty gives you specific legal rights, and you may also have other rights, which vary from state to state.

QUESTIONS OR COMMENTS

CALL 1-800-4-RIDGID

www.ridgid.com

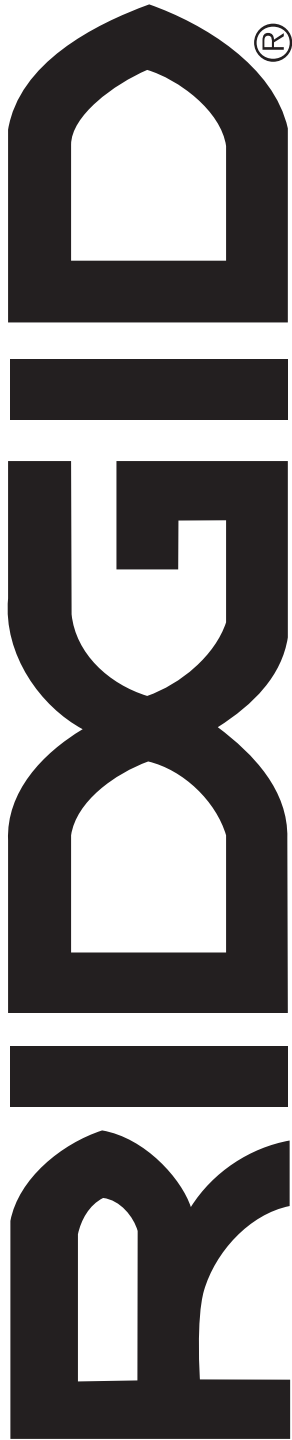
Please have your Model Number and Serial Number on hand when calling.

Catalog No. OF25150A

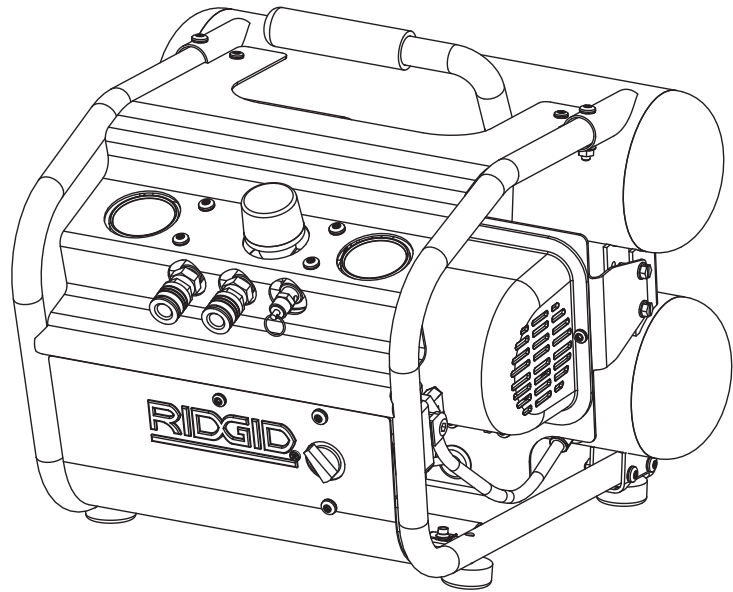
Model No. OF25150A

Serial No. _____

The model and serial numbers may be found on your unit. You should record both model and serial number in a safe place for future use.



OF25150A MANUAL DEL OPERADOR



COMPRESOR DE AIRE PORTÁTIL DE 9,46 L (2,5 GALONES) CON TANQUES GEMELOS

▲ ADVERTENCIA:

Para reducir el riesgo de lesiones, el usuario debe leer y comprender el Manual del Operador antes de usar este producto.

Índice

Sección	Página	Sección	Página
Instrucciones de seguridad	21 - 23	Desempaque y verificación del contenido	25
Palabras de señal de seguridad	21	Instalación	25
Antes de usar el compresor de aire	21	Conozca su compresor de aire	26 - 27
Precauciones Para Rociar	22	Funcionamiento del compresor de aire	28
Etiquetas de advertencia	23	Humedad en el Aire Comprimido	28
Especificaciones del motor y requisitos eléctricos	23 - 24	Funcionamiento del compresor de aire	28
Especificaciones del suministro de energía y del motor	23	Para Evitar Problemas	28
Conexiones eléctricas generales	24	Mantenimiento	29
Información de la herramienta de 110-120 V, 60 Hz	24	Planificación del mantenimiento	29
Cordones de extensión	24	Diagnóstico de problemas	30 - 31
Protector Térmico	24	Piezas de repuesto	32 - 35
Glosario	25	Garantía	36

Instrucciones de seguridad

Este manual contiene información que es muy importante que sepa y comprenda. Esta información se la suministramos como medida de SEGURIDAD y para EVITAR PROBLEMAS CON EL EQUIPO. Debe reconocer los siguientes símbolos.

Palabras de señal de seguridad

▲ PELIGRO: Ésto le indica que hay una situación inmediata que, si no se evita, LE OCASIONARIA la muerte o heridas de gravedad.

▲ ADVERTENCIA: Ésto le indica que hay una situación que, si no se evita, PODRIA ocasionarle la muerte o heridas de gravedad.

▲ PRECAUCION: Ésto le indica que hay una situación que, si no se evita, PODRIA ocasionarle heridas no muy graves.

▲ AVISO: Ésto le indica una información importante, que de no seguirla, le podría ocasionar daños al equipo.

Antes de usar el compresor de aire

PROPOSICIÓN 65 DE CALIFORNIA

▲ ADVERTENCIA:

Este producto o su cable de corriente pueden contener químicos, incluido plomo, que es conocido por el Estado de California como causante de cáncer y defectos de nacimiento u otros daños reproductivos. Lávese las manos después de manipularlo.

▲ ADVERTENCIA:

Cuando corta lija, taladra o pule materiales como por ejemplo madera, pintura, metal, hormigón, cemento, u otro tipo de mampostería se puede producir polvo. Con frecuencia este polvo contiene productos químicos que se conocen como causantes de cáncer, defectos congénitos u otros daños reproductivos. Use equipo de protección.



Los compresores de aire se utilizan en una variedad de aplicaciones. Como el compresor de aire y otros componentes usados (bomba de material, pistolas pulverizadoras, filtros, lubricadores, mangueras, etc.) integran un sistema de alta presión, en todo momento deberá seguir las siguientes medidas de seguridad. Sólo las personas que conocen muy bien las reglas de seguridad para el funcionamiento deben estar autorizadas a usar el compresor de aire.

▲ ADVERTENCIA:

Todos los trabajos de electricidad los debe hacer un electricista calificado (con licencia o certificación). En los circuitos conectados adecuadamente los cables negros podrían suministrar tensión inclusive cuando la unidad esté desconectada.

1. Lea con cuidado todos los manuales incluidos con este producto antes de tratar de ensamblar, desmantelar o utilizar el sistema.
2. Use gafas de seguridad (aprobadas por ANSI Z87.1 o en Canadá CSA Z94.3-99) y protecciones para los oídos cuando opera la bomba o la unidad. Las gafas diarias no son gafas de seguridad.

3. No exceda la presión máxima de ninguno de los componentes del sistema.
4. Proteja las líneas de material y de aire contra daños y roturas. Mantenga las mangueras y cordones alejados de objetos afilados, derrames químicos, solventes de aceite y pisos húmedos.
5. Nunca apunte la pistola pulverizadora hacia nadie. Una descarga accidental puede ocasionarle heridas de gravedad.
6. Revise las mangueras para detectar posibles debilitamientos o desgaste antes de cada uso, asegurándose de que todas las conexiones estén seguras; no las use si encuentra fallas. Contacte un centro de servicio autorizado para una revisión o reparación.
7. Libere el aire lentamente; de lo contrario éste podría levantar polvo y desperdicios que podrían ocasionarle daños.
8. Siga todos los códigos de electricidad y seguridad locales y nacionales al igual que las medidas de seguridad laboral.
9. Las conexiones eléctricas y fusibles deben estar conectadas a tierra adecuadamente, seguir los

▲ ADVERTENCIA:

¡Desconecte la unidad y libere la presión del sistema antes de darle servicio al compresor! (Gire la perilla del regulador completamente en el mismo sentido de las agujas del reloj después de apagar el compresor).

- códigos locales de electricidad y no sobrepasar las capacidades.
10. Los motores eléctricos deben asegurarse bien y estar conectados a tierra adecuadamente. Vea las instrucciones para conectar a tierra y la información sobre cordones de extensión en este manual.
 11. Siempre desconecte la unidad antes de hacer trabajos en el motor o áreas cercanas. Si el interruptor se encuentra fuera de su alcance, bloquéelo y póngale una etiqueta para que no se encienda accidentalmente.

Instrucciones de seguridad (Continuación)

- Proteja todas las piezas en movimiento y mantenga a los visitantes alejados. Nunca permita la presencia de niños en el área de trabajo.
- Sólo use tomacorrientes adecuados que estén conectados a tierra y use zapatos aislantes para evitar electrocutamiento.
- Tenga cuidado al tocar la parte externa del motor encendido; éste podría estar muy caliente y ocasionarle heridas.
- Evite que el cordón eléctrico tenga contacto con objetos afilados.
- Limpie los equipos eléctricos o electrónicos con agentes aprobados tales como solventes secos no inflamables.
- Para evitar la combustión espontánea tire los trapos que usó para limpiar en envases de metal aprobados para este tipo de desperdicios.
- Nunca almacene líquidos inflamables o gases cerca del compresor.
- Cuando pulverice con solventes o productos químicos tóxicos, siga las instrucciones proporcionadas por el fabricante del producto.
- Rocie en áreas bien ventiladas para evitar la acumulación de humos nocivos a la salud y evitar peligro de incendio.
- No rocíe cerca de llamas al descubierto o en otros sitios donde chispas puedan ocasionar incendios. No fume al rociar pinturas, insecticidas u otras sustancias inflamables.
- Use un respirador para rociar.
- NUNCA altere la válvula de seguridad o el interruptor de presión. Evite la acumulación de pintura u otras sustancias en la válvula de seguridad. Ésto evita el peligro de exceso de presión.
- Siempre debe darle el mantenimiento necesario; mantenga todas las tuercas, pernos y tornillos bien apretados para cerciorarse de que el equipo esté en buenas condiciones de funcionamiento.
- Mantenga los trapos para limpiar y otros desperdicios inflamables en envases de metal cerrados herméticamente y posteriormente tire la basura adecuadamente.
- Drene los tanques diariamente. Si no piensa usar el compresor por un tiempo, es preferible que deje la llave de salida abierta hasta que lo vaya a usar una vez más. Ésto permitirá que los tanques se drene completamente y ayudará a evitar que se oxide por dentro.
- Anualmente inspeccione los tanques para ver si tiene agujeros u otros defectos que podrían hacerlo inseguro. NUNCA solde o le abra agujeros al tanques.
- Este producto no ha sido diseñado para ser instalado o usado en un garaje comercial o instalaciones similares.

Precauciones Para Rociar

⚠ ADVERTENCIA:

Nunca rocíe materiales inflamables cerca de llamas al descubierto o fuentes de ignición, incluyendo el compresor.



- No fume mientras esté rociando pintura, insecticidas u otras sustancias inflamables.
- Use una máscara / respirador cuando vaya a rociar y siempre rocíe en un área bien ventilada, para evitar peligros de salud e incendios.



- Nunca rocíe la pintura y otros materiales, directamente hacia el compresor. Coloque el compresor lo más lejos posible del área de trabajo, para minimizar la acumulación de residuos en el compresor.
- Al rociar o limpiar con solventes o químicos tóxicos, siga las instrucciones del fabricante de dichos químicos.

⚠ PELIGRO:

Advertencia Sobre el Aire Respirable

Este compresor/cabezal no viene listo de fábrica para suministrarle aire respirable. Antes de utilizarlos con este fin deberá instalarle un sistema de seguridad y alarma incorporado a la línea. Este sistema adicional es necesario para filtrar y purificar el aire adecuadamente para cumplir con las especificaciones mínimas sobre aire respirable de Grado D descritas en la Especificación de Productos G 7.1 - 1966 de la Asociación de Aire Comprimido. Igualmente, deberá cumplir los requisitos establecidos por el Artículo 29 CFR 1910. 134 de la Organización norteamericana OSHA y/o la Canadian Standards Associations (CSA).

RENUNCIA A LAS GARANTÍAS

Si el compresor se utiliza para producir aire respirable SIN haberle instalado el sistema de seguridad y alarma, todas la garantías se anularán y la compañía Campbell Hausfeld no asumirá NINGUNA responsabilidad por pérdidas, heridas personales o daños.

Instrucciones de seguridad (Continuación)

Etiquetas de advertencia

Busque y lea todas las etiquetas de advertencia que se encuentran en el compresor de aire.

⚠ WARNING	⚠ AVERTISSEMENT	⚠ ADVERTENCIA
• READ INSTRUCTION MANUAL BEFORE OPERATING.	• LIRE LE MANUEL D'UTILISATION AVANT DE FAIRE FONCTIONNER LE MODÈLE.	• LEA EL MANUAL DE INSTRUCCIONES ANTE OPERAR.
• RISK OF FIRE OR EXPLOSION - DON NOT SPRAY COMBUSTIBLE/FIAMMABLE LIQUID IN A CONFINED AREA. SPRAY AREA MUST BE WELL VENTILATED. DO NOT SMOKE WHILE SPRAYING OR SPRAY WHERE SPARK OR FLAME IS PRESENT. ARCING PARTS - KEEP COMPRESSOR AT LEAST 20 FEET AWAY FROM SPRAYING AREA AND ALL EXPLOSIVE VAPORS. DO NOT CARRY WHILE PAINTING.	• RISQUE D'INCENDIE OU D'EXPLOSION - NE PAS PULVÉRISER LES LIQUIDES COMBUSTIBLES/INFLAMMABLES DANS UN ENDROIT CLOS. L'ENDROIT DE PULVÉRISATION DOIT ÊTRE BIEN VENTILÉ. NE PAS FUMER PENDANT LA PULVÉRISATION NI PULVÉRISER DANS L'ENDROIT D'UNE FLAMME OU D'UNE ÉTINCELLE. PIÈCES QUI PROJettent DES ÉTINCELLES - GARDER LE COMPRESSEUR AU MOINS 6.1 M DE L'ENDROIT DE PULVÉRISATION ET TOUTES VAPEURS EXPLOSIVES. NE PORTEZ PAS TOUT EN PEIGNANT.	• RIESGO DE INCENDIO O EXPLOSIÓN - NO ROCÍE LÍQUIDOS COMBUSTIBLES/INFLAMMABLES EN UN ÁREA ENCERRADA. EL ÁREA DE TRABAJO DEBE ESTAR BIEN VENTILADA. NO FUME MIENTRAS ESTE ROCIANDO NI ROCÍE CERCA DE CHISPAS O LLAMAS. PIEZAS QUE PRODUCEN ARCOS ELÉCTRICOS-MANTENGA EL COMPRESOR AL MENOS A 6.1 M DE DISTANCIA DEL ÁREA DONDE ESTE ROCIANDO O DE DONDE HAYA CUALQUIER TIPO DE VAPORES EXPLOSIVOS. NO LLEVE MIENTRAS QUE PINTA.
• RISK OF INJURY - DO NOT DIRECT AIR SYSTEM AT BODY. USE EYE PROTECTION. COMPRESSOR STARTS AUTOMATICALLY. MOVING PARTS. DO NOT TOUCH. KEEP GUARDS IN PLACE. COMPRESSOR DOES NOT SUPPLY BREATHABLE AIR.	• RISQUE DE BLESSURE - NE PAS DIRIGER LE JET D'AIR VERS VOTRE CORPS. UTILISER LA PROTECTION OCULAIRE. LE COMPRESSEUR SE DÉMARRE AUTOMATIQUÉMENT. PIÈCES MOBILES N'Y TOUCHEZ PAS. GARDER LES APPARELS PROTÉCTEURS EN PLACE. LE COMPRESSEUR NE FOURNIT PAS DE L'AIR RESPIRABLE.	• RIESGO DE HERIDAS - NO DIRIJA EL FLUJO DE AIRE DIRECTAMENTE AL CUERPO. PROTEJASE LA VISTA. EL COMPRESOR SE ENCIENDE AUTOMÁTICAMENTE. PIEZAS QUE SE MUEVEN. NO LAS TOQUE. MANTÉNGALAS PROTEGIDAS. EL COMPRESOR NO LE SUMINISTRA AIRE RESPIRABLE.
• RISK OR BURSTING - DO NOT ADJUST REGULATOR TO RESULT IN OUTPUT PRESSURE GREATER THAN MARKED MAXIMUM PRESSURE OR ATTACHMENT. IF A REGULATOR HAS NOT BEEN INSTALLED, USE ONLY ATTACHMENT RATED AT 200 PSI OR HIGHER. DO NOT WELD ON OR REPAIR TANK - REPLACE. DO NOT OPERATE WITHOUT PROPER ASME SAFETY VALVE IN PLACE.	• RISQUE D'ÉCLATEMENT - NE PAS AJUSTER LE RÉGULATEUR AFIN D'OBTENIR UNE PRESSION DE DÉCHARGE PLUS ÉLEVÉE QUE LA PRESSION MAXIMUM DE L'ACCESSOIRE. S'IL N'Y A PAS DE RÉGULATEUR, UTILISER SEULEMENT LES ACCESSOIRES QUI SONT CLASSIFIÉS À 1379 kPa OU PLUS. NE PAS SOUDER SUR/NI RÉPARER LE RÉSERVOIR - LE REMPLACER. NE PAS FAIRE FONCTIONNER SANS QUIL Y AIT UNE SOUPEPE DE SÛRETÉ ASME EN PLACE.	• RIESGO DE EXPLOSIÓN - NO AJUSTE EL REGULADOR PARA OBTENER UNA PRESIÓN DE SALIDA SUPERIOR A LA INDICADA COMO PRESIÓN MÁXIMA DEL ACCESORIO. SI NO HA INSTALADO UN REGULADOR, USE SOLO ACCESORIOS DISEÑADOS PARA PRESIONES DE 13.8 BAR O MÁS. NO SUELDE NI REPARE EL TANQUE - REEMPLÁZALO. NO LO OPERE SIN HABERLE INSTALADO UNA VALVULA DE SEGURIDAD ASME ADECUADA.
• RISK OR ELECTRICAL SHOCK - HAZARDOUS VOLTAGE: DISCONNECT FROM POWER SOURCE BEFORE SERVICING. COMPRESSOR MUST BE GROUNDED. DO NOT USE GROUNDING ADAPTORS. DO NOT EXPOSE TO RAIN. INDOOR USE ONLY.	• RISQUE DE SECOURSÉ ÉLECTRIQUE - TENSION HASARDEUSE: DÉBRANCHER DE LA SOURCE DE PUISSANCE AVANT DE PROCÉDER À L'ENTRETIEN. LE COMPRESSEUR DOIT ÊTRE MIS À LA TERRE. NE PAS UTILISER DES ADAPTATEURS DE MISE À LA TERRE. NE PAS EXPOSER À LA PLUIE. UTILISATION D'INTERIEUR SEULEMENT.	• RIESGO DE CHOQUE ELÉCTRICO - VOLTAJE PELIGROSO: DESCONÉCTELO DEL TOMACORRIENTES ANTES DE DARLE SERVICIO. EL COMPRESOR SE DEBE CONECTAR A TIERRA. NO USE ADAPTADORES PARA CONECTARLO A TIERRA. NO LO DEJE A LA INTemperIE. USO DE INTERIOR SOLAMENTE.
IF CONNECTED TO A CIRCUIT PROTECTED BY FUSES, USE TIME-DELAYED FUSE MARKED "D".	SI BRANCHÉ À UN CIRCUIT PROTÉGÉ PAR DES FUSIBLES, UTILISER UNE FUSIBLE À RETARDÉMENT MARQUÉE "D".	SI LO CONECTA A UN CIRCUITO PROTEGIDO CON FUSIBLES, USE FUSIBLES DE ACCIÓN RETARDADA TIPO "D".
COMPLIES WITH CCR462 (L1/2).	SE CONFORME AU CCR462 (L1/2).	CUMPLE CON LAS ESPECIFICACIONES CCR462 (L1/2) <small>GR88800AV 1/209</small>



Especificaciones del motor y requisitos eléctricos

Especificaciones del suministro de energía y del motor

⚠ ADVERTENCIA:

Para reducir los riesgos eléctricos, de incendio o daño a las herramientas, use la protección del circuito adecuada. El cableado de su herramienta se realiza en fábrica para que funcione con el voltaje que se muestra. Conecte la herramienta a una línea de energía con el voltaje apropiado y un circuito derivado de 15 amperios. Utilice un disyuntor o fusible de tiempo de retardo de 15 amperios. Para reducir el riesgo de choque eléctrico o incendio, si el cable de corriente está gastado o cortado, o dañado de cualquier modo, haga que lo reemplacen inmediatamente.

El motor de corriente alterna en esta unidad es de tipo universal, con las especificaciones siguientes.

Voltaje	110 - 120
Amperios	15.0
Hertzios	60
Fase	Monofásico
RPM	17,500

El cableado se realizó en fábrica para funcionar con un servicio de 110-120 V CA, 60 Hz.

Especificaciones del motor y requisitos eléctricos (Continuación)

Conexiones eléctricas generales

⚠ PELIGRO:

Para reducir el riesgo de electrocución:

1. Utilice solamente piezas de repuesto idénticas cuando se realiza el servicio. El servicio lo debe realizar un técnico calificado.
2. No utilice bajo la lluvia o donde el piso esté húmedo. Esta herramienta está diseñada para usarse en interiores residenciales solamente.

⚠ ADVERTENCIA:

No permite que los dedos toquen los bornes del enchufe cuando enchufa o retira el enchufe en el tomacorrientes.

Información de la herramienta de 110-120 V, 60 Hz

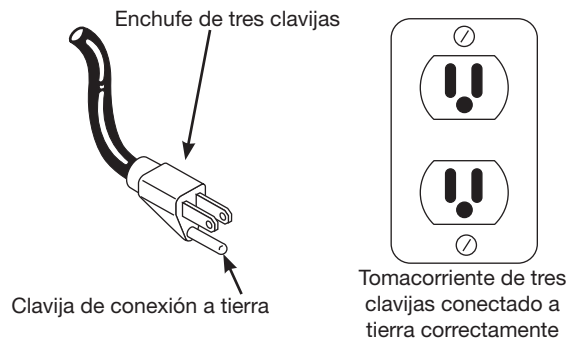
El enchufe que se proporciona con la herramienta puede no calzar en el tomacorrientes que planea usar. El código eléctrico local puede requerir pequeños cambios en la conexión del cable de corriente. Si existen estas diferencias, refiérase a su código local y realice los cambios adecuados de acuerdo al mismo antes de enchufar y encender la herramienta.

En la eventualidad de un corto circuito eléctrico, la conexión a tierra proporciona la ruta de menor resistencia a la corriente eléctrica para reducir el riesgo de choques eléctricos. Esta herramienta está equipada con un cable de corriente que tiene un conductor de puesta a tierra del equipo y un enchufe con conexión a tierra, como se muestra. El enchufe debe estar enchufado a un tomacorrientes que coincida, que esté correctamente instalado y con conexión a tierra de acuerdo a todos los códigos y ordenanzas locales.

No modifique el enchufe que se proporciona. Si no calza en el tomacorrientes, haga que un electricista calificado instale el tomacorrientes adecuado.

La conexión incorrecta del conductor de descarga a tierra del equipo puede dar como resultado un riesgo de choque eléctrico. El conductor con aislante que tiene una superficie exterior de color verde con o sin bandas amarillas es el conductor de conexión a tierra del equipo. Si es necesario reparar o reemplazar el cable de corriente, no conecte el conductor de conexión a tierra del equipo a una terminal con corriente.

Este producto está diseñado para funcionar en un circuito con una carga nominal de 120 V y tiene un enchufe de conexión a tierra similar al enchufe ilustrado abajo. Conecte el producto únicamente a un tomacorriente que tenga la misma configuración que el enchufe. No utilice un adaptador con este producto.



Verifique con una persona de servicio o electricista calificado si no comprende totalmente las instrucciones de conexión de descarga a tierra o si tiene alguna duda sobre si el equipo está conectado a tierra de forma adecuada.

⚠ ADVERTENCIA:

Si no tiene una conexión de descarga a tierra adecuada esta herramienta puede provocar un choque eléctrico, particularmente cuando se usa en lugares húmedos, próximo a tuberías de agua o en espacios exteriores.

Cordones de extensión

1. El compresor de aire debe ubicarse donde pueda enchufarse directamente a un tomacorrientes. No se deberá usar un cordón de extensión con esta unidad.

2. Para evitar la pérdida de energía o el sobrecalentamiento, se deberá usar una manguera de aire adicional que llegue al área de trabajo, en lugar de utilizar cordones de extensión.

Protector Térmico

⚠ PRECAUCION:

Este compresor está equipado con un protector de sobrecarga automático que apaga el motor si se recalienta.

Si el protector apaga el motor con mucha frecuencia puede ser por lo siguiente:

1. Voltaje bajo.
2. El filtro de aire está atascado.

Especificaciones del motor y requisitos eléctricos (Continuación)

Protector Termico (Continuación)

3. La ventilación es inadecuada.

Consulte la tabla de diagnóstico de problemas para ver las acciones de corrección.

⚠PRECAUCION:

Si se dispara el protector de sobrecarga, se debe desconectar el motor y dejarlo enfriar durante 30 minutos antes de volver a usarlo.

Glosario

Válvula de seguridad ASME

Esta válvula libera automáticamente el exceso de aire cuando la presión ha alcanzado la presión máxima fijada.

PSI (libras por pulgada cuadrada)

Unidad de medida de la presión ejercida por la fuerza del aire. La salida real en psi se mide con un manómetro en el compresor

SCFM (pies cúbicos estándar por minuto)

A veces llamado CFM (pies cúbicos por minuto). Unidad de medida del volumen de aire entregado por el compresor.

Entrega de aire

Una combinación de psi y SCFM. La entrega de aire que necesita una herramienta está dada por (número) SCFM a (número) psi. La combinación de estas cifras determina el tamaño de unidad que se necesita.

Capacidad del tanque de aire

El volumen de aire almacenado en los tanques y disponible para su uso inmediato. Un tanques grande permite el uso intermitente de una herramienta neumática con un requisito de aire mayor que la entrega promedio del compresor.

Voltios o Voltaje

La medida de la fuerza de una corriente eléctrica.

Amperios o amperaje

Una medida de la fuerza eléctrica menos la resistencia en una línea eléctrica. Los compresores de aire rígidos necesitan 15 amperios para funcionar. Asegúrese que el compresor funcionará en una línea eléctrica con el amperaje correcto. Si tiene otros artefactos domésticos funcionando en la misma línea, éstos reducirán el amperaje disponible. Si el amperaje no es adecuado, el resultado serán fusibles quemados o que se corten los circuitos.

Regulador

Un control que ajusta la presión de la línea a la cantidad adecuada necesaria para hacer funcionar pistolas de rociado y herramientas neumáticas.

Manómetro del depósito

Indica la presión del tanque de aire en psi.

Manómetro de salida regulado

Muestra la presión actual de la línea. Se regula con la perilla reguladora.

Presión de conexión / desconexión

PSI específico al que un compresor se enciende o se detiene mientras se rellena los tanques de aire.

Motor Universal

Un motor monofásico liviano, de tipo con escobillas, de corriente alterna, con altas RPM.

Desempaque y verificación del contenido

1. Retire el compresor de aire de la caja.
2. Coloque el compresor en una superficie de trabajo segura, nivelada y fija, y examínelo cuidadosamente.

⚠ADVERTENCIA:

Para su propia seguridad, nunca haga funcionar la unidad hasta que todos los pasos de ensamblaje estén completos y hasta que haya leído y entendido todo el manual del operador.

⚠ADVERTENCIA:

Para reducir el riesgo de lesiones, si falta alguna pieza, no intente hacer funcionar el compresor de aire hasta obtener e instalar correctamente las piezas faltantes.

⚠ADVERTENCIA:

No haga funcionar la unidad si se dañó durante el envío, el manejo o el uso. Los daños pueden provocar una explosión y causar lesiones o daño a la propiedad.

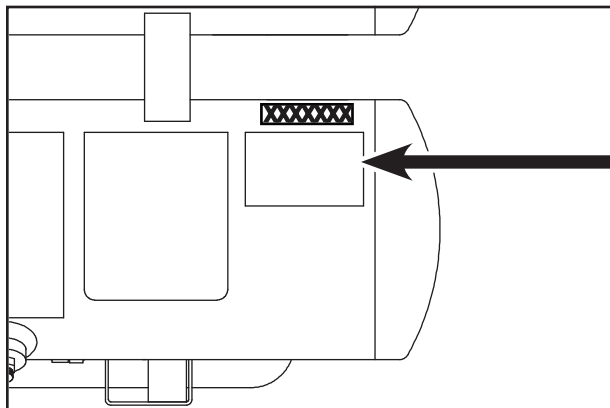
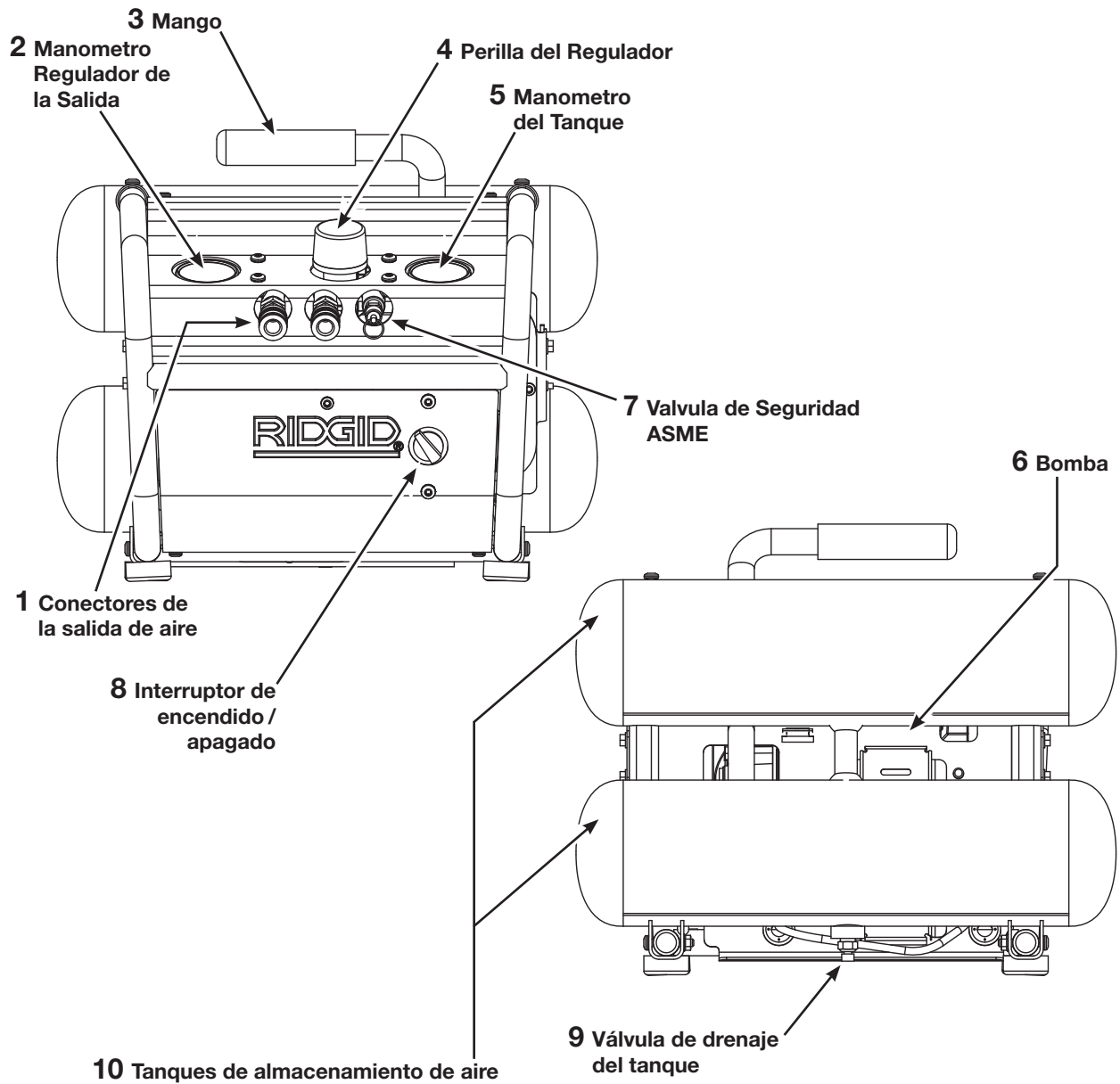
Instalación

1. Chequee y apriete todos los pernos, conexiones, etc., antes de utilizar el compresor.
2. Utilice el compresor en un área bien ventilada para que éste se pueda enfriar adecuadamente.
3. El compresor debe ubicarse donde pueda enchufarse directamente a un tomacorrientes.

No se deberá usar un cordón de extensión con esta unidad.

4. Para evitar la pérdida de energía o el sobrecalentamiento, se deberá usar una manguera de aire adicional que llegue al área de trabajo, en lugar de utilizar cordones de extensión.

Conozca su compresor de aire



Etiqueta adhesiva con modelo

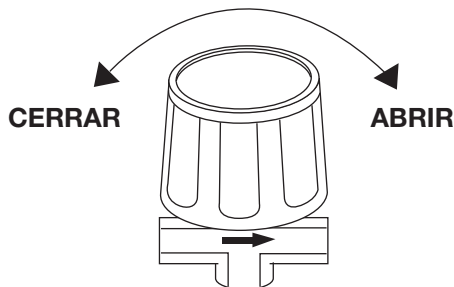
Conozca su compresor de aire (Continuación)

1. Conectores de la salida de aire. Estos conectores son de conexión rápida y estilo universal de 6,4 mm (1/4 inch) y permiten cambios de herramienta rápidos.

2. Manómetro Regulador de la Salida. Este manómetro le permite verificar la presión de salida muy fácilmente. Dicha presión se mide en libras por pulgadas al cuadrado (bar). La mayoría de las herramientas tienen una clasificación máxima de presión. Nunca exceda la clasificación máxima de presión de la herramienta que está usando. Cerciórese de que el manómetro esté en ZERO antes de cambiar de herramientas neumáticas o desconectar la manguera.

3. Mango. Se usan para mover el compresor.

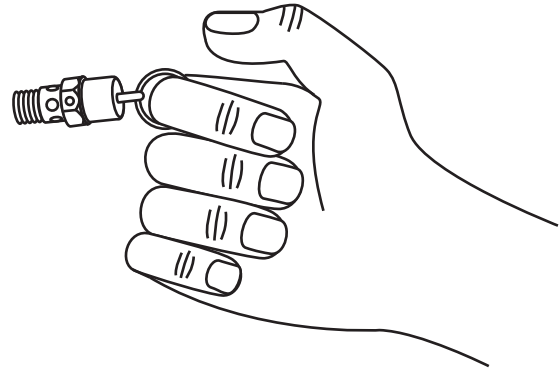
4. Perilla del Regulador. Esta perilla controla la presión de aire hacia una herramienta neumática o una pistola pulverizadora de pintura. Al girar la perilla hacia la derecha aumenta la presión de aire en la salida. Al girar la perilla hacia la izquierda disminuye la presión de aire en la salida. Al poner la perilla totalmente hacia la izquierda se cerrará el flujo de aire por completo.



5. Manómetro del Tanque. Mide la presión del tanques para verificar que está funcionando adecuadamente.

6. Bomba. La bomba aspira aire y genera aire comprimido en los tanques de almacenamiento de aire.

7. Válvula de Seguridad ASME. Esta válvula libera el aire automáticamente si la presión del tanque supera el máximo preestablecido.



8. Interruptor de encendido / apagado. Este interruptor permite el control manual del compresor. Tenga en cuenta que cuando el interruptor esté en encendido, el compresor se encenderá o apagará automáticamente según la presión del tanque.

9. Válvula de drenaje del tanque. La válvula de drenaje del tanque permite que la humedad salga del tanques.

10. Tanques de almacenamiento de aire. Los tanques almacenan aire para usarlo más tarde.

Funcionamiento del compresor de aire

Humedad en el Aire Comprimido

La humedad que se acumula en el aire comprimido se convierte en gotas a medida que sale del cabezal del compresor de aire. Cuando el nivel de humedad es muy alto o cuando el compresor ha estado en uso continuo por mucho tiempo, ésta se acumulará en los tanques. Al usar una pistola pulverizadora de pintura o una rociadora de arena, la misma saldrá a través de la manguera mezclada con el material que esté rociando.

IMPORTANTE: Esta condensación ocasionará manchas en la superficie pintada, especialmente cuando este pulverizando pinturas que no sean a base de agua. Al rociar arena ésta ocasionará que la arena se aglutine y obstruya la pistola, reduciendo su eficacia.

Para eliminar este problema, coloque un filtro en la línea de aire, lo más cerca posible de la pistola.

Funcionamiento del compresor de aire

Asegúrese que la válvula de drenaje del tanque esté cerrada, que la perilla reguladora esté totalmente hacia la izquierda, y que el interruptor de encendido/apagado esté apagado (Off).

Conecte el compresor a un circuito dedicado de 15 amperios (mínimo).

Ponga el interruptor de encendido/apagado en la posición de encendido (On). El compresor empezará a acumular presión.

Después que el compresor alcance la presión de desconexión, instale una manguera (con la herramienta neumática deseada conectada a la misma) en la salida del conector.

Ajuste la perilla reguladora en la presión deseada.

Ahora el compresor está listo para funcionar.

⚠ ADVERTENCIA:

No presurice excesivamente ninguna herramienta neumática. Consulte las instrucciones de la herramienta neumática para ver la presión correcta.

Para Evitar Problemas

1. Lea las instrucciones: Lea atentamente este manual del operador ANTES DE HACER FUNCIONAR este nuevo compresor de aire. En el manual encontrará información sobre el funcionamiento y mantenimiento de la unidad.

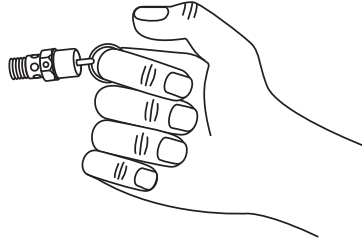
2. Drene los tanques diariamente: Descargue la presión del sistema antes de drenar los tanques dejando salir el aire manualmente por la válvula de seguridad. Abra la válvula de drenaje del tanque y drene la humedad del tanque. Esto ayuda a mantener el aceite y la humedad fuera del sistema de aire comprimido. Asegúrese de cerrar la válvula de drenaje del tanque firmemente antes de hacer funcionar el compresor.

Mantenimiento

⚠ ADVERTENCIA:

Libere toda la presión y desconecte la unidad antes de hacer cualquier tipo de reparación.

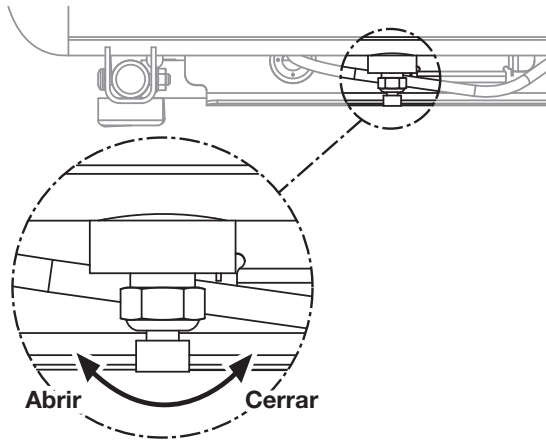
1. Chequee el compresor a ver si tiene algún problema visible, especialmente chequee el filtro de aire para cerciorarse de que esté limpio.
2. Hale el anillo de la válvula de seguridad y deje que calce en su posición normal.



⚠ ADVERTENCIA:

Debe reemplazar la válvula de seguridad si no la puede activar o si hay fugas de aire una vez que haya soltado el anillo.

3. Drene la humedad del tanques a diario. Apague el compresor. Despresurice el sistema antes de drenar los tanques. Drene la humedad del tanques abriendo la válvula de drenaje debajo del tanques.



4. Apague el compresor (póngalo en OFF) y limpie completamente el motor, tanque, líneas de aire y las aletas de enfriamiento del cabezal.

IMPORTANTE: Debe ubicar la unidad lo más lejos posible del área de trabajo para evitar que el filtro se atasque.

TANQUE

⚠ PELIGRO:

¡Nunca trate de reparar o modificar el tanque! Si lo suelda, taladra o modifica de cualquier otra manera, el tanque se debilitará y podría romperse o explotar. Siempre reemplace los tanques desgastados o dañados.

AVISO:

Drene el líquido del tanques diariamente.

Los tanques se debe inspeccionar por lo menos una vez al año. Chequee a ver si hay grietas en las soldaduras. De haberlas, libere la presión del tanques inmediatamente y reemplácelo.

ALMACENAMIENTO

1. Mientras no lo esté usando debe almacenar el compresor en un sitio seco y frío.
2. Debe drenar los tanques.
3. Debe desconectar las mangueras y colgarlas con los extremos hacia abajo para que se drenen.

Planificación del mantenimiento

Servicio Necesario	Diariamente	Semanalmente
Drene los tanques	●	
Chequee la válvula de seguridad		●
Limpie el interior del motor con aire		●

Diagnóstico de Problemas

▲ ADVERTENCIA:

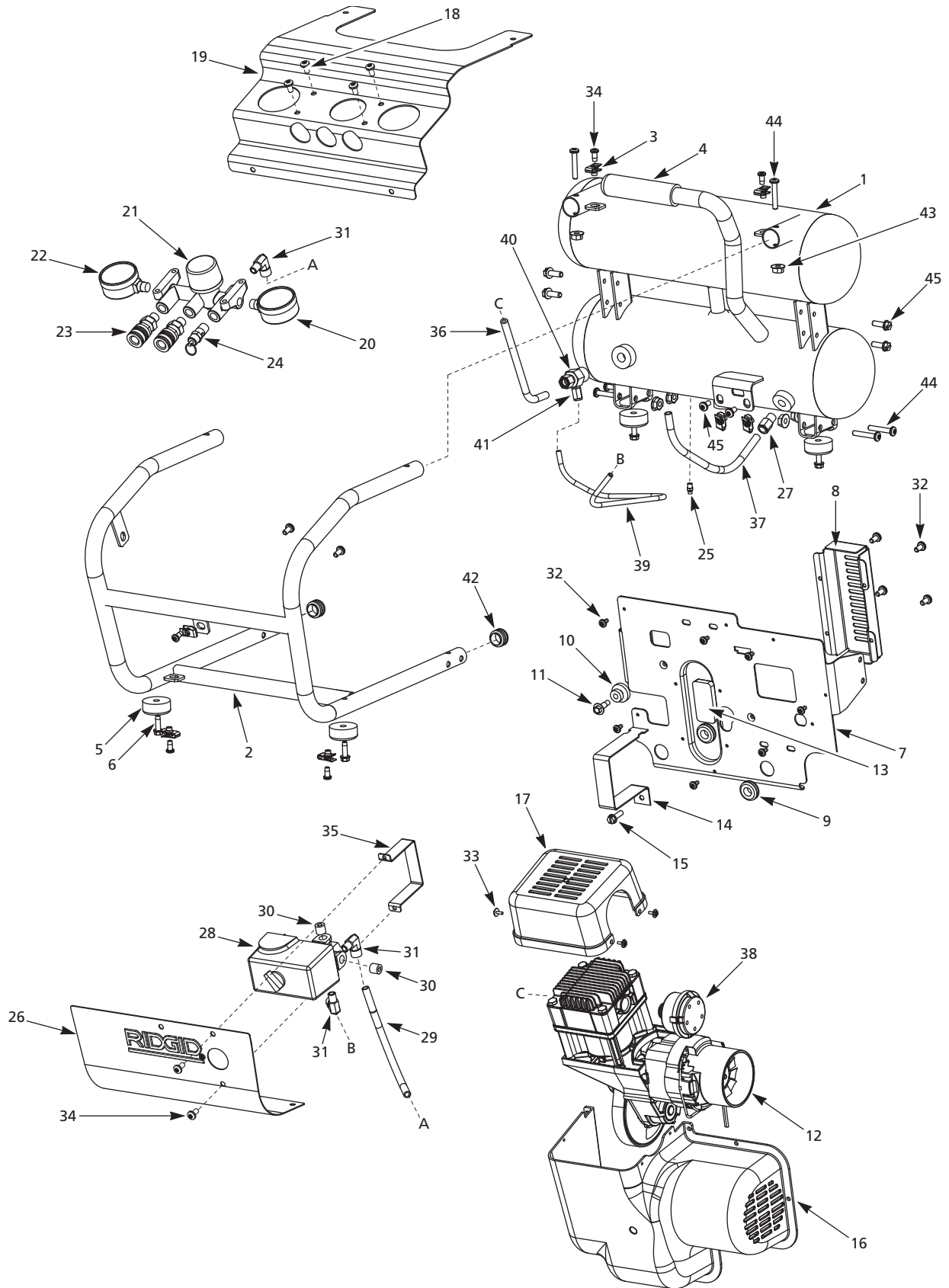
Para su propia seguridad, no pruebe ni haga funcionar el compresor de aire mientras realiza el diagnóstico de problemas.

PROBLEMA	CAUSA PROBABLE	SOLUCIÓN
Compresor no funciona	<ol style="list-style-type: none"> 1. Unidad conectada a un cordón de extensión 2. No hay energía eléctrica, fusible quemado o disyuntor disparado en el panel eléctrico 3. Motor recalentado/sobrecarga térmica abierta 4. Conexiones eléctricas sueltas 5. Interruptor de encendido/apagado (ON/OFF) defectuoso 6. Presostato dañado 7. Motor defectuoso 	<ol style="list-style-type: none"> 1. Chequee el cordón de extensión adecuado 2. Cambie el fusible o reajuste el disyuntor, determine la causa del problema 3. Reemplace el fusible quemado 4. Verifique todas las conexiones eléctricas. 5. Cambie el interruptor de encendido/apagado (ON/OFF) 6. Reemplácelo 7. Cambie el ensamble del motor
Motor hace ruido pero no funciona o funciona lentamente	<ol style="list-style-type: none"> 1. Voltaje bajo 2. Unidad conectada a un cordón de extensión 3. Defecto de la bobina del motor 4. Válvula de chequeo defectuosa o válvula de descarga defectuosa (en el interruptor de presión) 	<ol style="list-style-type: none"> 1. Chequee con un voltímetro 2. Retire el cordón 3. Cambie el ensamble del motor 4. Reemplace o repare
Fusibles / cortacircuito se dispara con frecuencia	<ol style="list-style-type: none"> 1. Fusible inadecuado, circuito sobrecargado 2. Unidad conectada a un cordón de extensión 3. Válvula de chequeo defectuosa o válvula de descarga defectuosa (en el interruptor de presión) 	<ol style="list-style-type: none"> 1. Cerciérese de que está usando el fusible adecuado, use un fusible diferido. Desconecte los otros artefactos del circuito o conecte el compresor a su propio circuito 2. Chequee la tabla en la sección de funcionamiento 3. Reemplace
El protector de sobrecarga térmica se dispara constantemente	<ol style="list-style-type: none"> 1. Voltaje bajo 2. Filtro de aire está atascado 3. Poca ventilación/ temperatura ambiental muy alta 4. Unidad conectada a un cordón de extensión 	<ol style="list-style-type: none"> 1. Chequee con un voltímetro 2. Limpie el filtro (vea la sección de Mantenimiento) 3. Mueva el compresor a un área bien ventilada 4. Retire el cordón de extensión
La presión del tanque disminuye cuando se apaga el compresor	<ol style="list-style-type: none"> 1. Conexiones flojas (conexiones, tuberías, etc.) 2. Abra la válvula de drenaje del tanque 	<ol style="list-style-type: none"> 1. Verifique todas las conexiones con una solución de agua y jabón y ajuste o quite y aplique sellador a las roscas, después vuelva a ensamblar 2. Cierre la válvula de drenaje del tanque

Diagnóstico de Problemas (Continuación)

PROBLEMA	CAUSA PROBABLE	SOLUCIÓN
Exceso de humedad en el aire de salida	<ol style="list-style-type: none">1. Exceso de agua en los tanques2. Humedad alta	<ol style="list-style-type: none">1. Drene los tanques2. Mueva el compresor a un área menos húmeda; use un filtro de línea
Compresor funciona constantemente	<ol style="list-style-type: none">1. Presostato está dañado2. Uso excesivo de aire	<ol style="list-style-type: none">1. Reemplácelo2. Disminuya el uso de aire; el compresor no tiene la capacidad de suministro necesaria
Compresor vibra	<ol style="list-style-type: none">1. Afloje las patas de goma del tanque2. Afloje los pernos de montaje de la bomba/el motor	<ol style="list-style-type: none">1. Ajuste el tornillo que sostiene las patas de goma2. Ajuste los pernos de montaje de la bomba/el motor
El suministro de aire es menos de lo normal	<ol style="list-style-type: none">1. Válvulas de entrada están rotas2. Fugas en las conexiones	<ol style="list-style-type: none">1. Un técnico autorizado de servicio debe repararlo2. Apriete las conexiones
El motor funciona pero no hay salida de aire	Correa gastada/rota	Cambie la correa (y otras piezas del juego de correas)

Piezas de Repuesto



Piezas de Repuesto

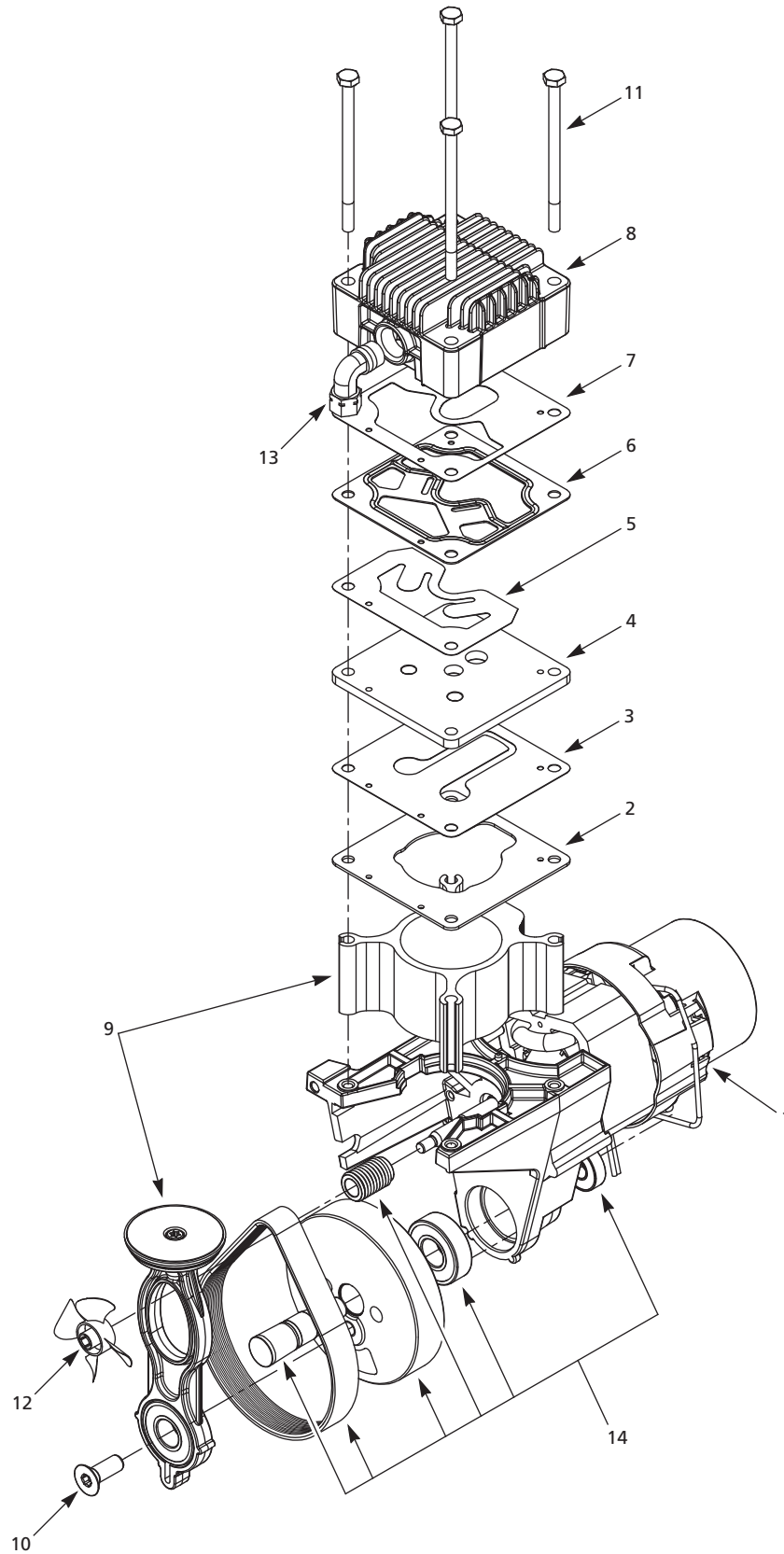
Por piezas de repuesto, llame al 1-800-4-RIDGID

Sírvase darnos la siguiente información:

- Número del modelo
- Número de Serie (de haberlo)
- Descripción y número del repuesto según la lista de repuestos

No. Clave	No de catálogo	Número de pieza	Descripción	Ctd.
1	33383	AR060701AV	Ensamble del tanque	1
2	--	--	Ensamble del marco de tubo	1
3	--	--	Tuerca de sujeción multirroscas para perno - contratuerca	7
4	18028	ST160002AV	Mango *	1
5	17853	ST158300AV	Patatas de caucho	4
6	17848	ST073276AV	Tornillo autorroscante de 7,9 mm (5/16 pulg.) - 12	4
7	--	--	Placa de base	1
8	--	--	Tapa de la excéntrica	1
9	33388	WL008000AV	Ojal de goma de 22,2 mm (7/8 pulg.) *	2
10	33393	WL003204AV	Soporte de caucho del motor	1
11	17713	ST158000AV	Perno de 6,3 mm (1/4 pulg.) - 28	1
12	33398	WL390300AJ	Ensamble de bomba del motor *	1
13	33403	WL007802AV	Almohadilla de goma de aislamiento del motor	1
14	33408	BA018300AV	Correa del motor	1
15	33413	ST073236AV	Tornillo autorroscante de 6,3 mm (1/4 pulg.) - 20	1
16	--	WL040400AV	Cubierta del motor (inferior)	1
17	--	WL040500AV	Cubierta del motor (superior)	1
18	17783	ST071626AV	Tornillo Torx de cabeza redonda de 6,3 mm (1/4 pulg.) - 20	4
19	--	--	Tapa del colector superior	1
20	17773	GA016709AV	Manómetro (0 bar - 17,24 bar) NPT de 6,4 mm (1/4 inch) *	1
21	35023	WL022500AV	Cuerpo del colector con perilla *	1
22	17878	GA016705AV	Manómetro (0 bar - 17,24 bar) NPT de 6,4 mm (1/4 inch) *	1
23	17873	HF203300AV	Acople *	2
24	17798	V-215106AV	Válvula de seguridad	1
25	17913	D-1403	Válvula de drenaje *	1
26	--	--	Cubierta delantera	1
27	17893	ST119305AV	Empalme de presión, derecho, para tubo de 9,5 mm (3/8 pulg.)	1
28	17908	CW211300AV	Interruptor de presión (incluye tapa del interruptor de presión y válvula de descarga) *	1
29	18023	WL021402AV	Tubo flexible de nylon [17,78 cm (7 inch) de largo]	1
30	17888	ST022500AV	Tapón NPT de 6,4 mm (1/4 inch)	2
31	17868	ST119704AV	Empalme de presión, a 90 °, para tubo de 9,5 mm (3/8 pulg.)	3
32	--	--	Tornillo Torx de cabeza plana	11
33	33493	ST058501AV	Tornillo para plástico de cabeza hexagonal con arandela	3
34	--	--	Tornillo Torx de cabeza plana de 6,3 mm (1/4 pulg.) - 20 x 15,9 mm (5/8 pulg.) de largo	7
35	--	--	Correa del interruptor de presión	1
36	33423	WL046000SJ	Tubo de escape * [inclut écrou (2) et virole (2)]	1
37	33428	WL021409AV	Tubo flexible de nylon [29,85 cm (11-3/4 inch) de largo]	1
38	17703	WL026100AV	Filtro	1
39	33443	ST117803AV	Tubo flexible [48,26 cm (19 inch) de largo]	1
40	33448	CV221513AV	Válvula de chequeo	1
41	20378	ST081301AV	Empalme de presión, derecho, para tubo de 6,3 mm (1/4 pulg.)	1
42	17918	ST073612AV	Tapón del tubo	2
43	--	†	Tuerca hexagonal de reborde de 6,3 mm (1/4 pulg.) - 20	6
44	--	--	Tornillo Torx Truss de cabeza ovalada de 6,3 mm (1/4 pulg.) - 20 x 38,1 mm (1-1/2 pulg.) de largo	6
45	17863	ST074415AV	Tornillo autorroscante de 6,3 mm (1/4 pulg.) - 20 x 19 mm (3/4 pulg.) de largo	8
46	17883	CW210001AV	Válvula de descarga (No se muestra)	1
47	--	CW217800AV	Tapa del interruptor de presión (No se muestra)	1
JUEGO DE PIEZAS DE REPUESTO				
▲	17793	WL024501AV	Juego de colector (incluye #20-23)	1
† = Artículo estándar de ferretería -- = No disponible * = Se consideran artículos con desgaste normal				

Piezas de Repuesto



Piezas de Repuesto

Por piezas de repuesto, llame al 1-800-4-RIDGID

Sírvase darnos la siguiente información:

- Número del modelo
- Número de Serie (de haberlo)
- Descripción y número del repuesto según la lista de repuestos

No. Clave	No de catálogo	Número de pieza	Descripción	Ctd.
1	33463	WL019100SJ	Kit de ensamblaje del motor (Incluye #2, 3, 6, 7, 10, 12, & 14) *	1
2	--	▲	Empaque del cilindro	1
3		▲	Válvula de entrada *	1
4	--	▲	Placa de la válvula *	1
5	--	▲	Válvula de salida *	1
6	--	▲	Empaque de la válvula de salida	1
7	--	▲	Empaque de la culata	1
8	17948	WL010500AV	Culata	1
9	33468	WL211000SJ	Ensamblaje de pistón / cilindro (Incluye #10) *	1
10	33473	ST071804AV	Tornillo de cabeza plana de 9,5 mm (3/8 inch) *	1
11	--	●	Tornillo hex. de 6,4 mm (1/4 inch)-20 x 10,16 cm (4 inch)	4
12	33478	WL008400AV	Ventilador *	1
13	17943	ST072224AV	Codo de compresión de 9,5 mm (3/8 inch)	1
14	--	WL015304SJ	Juego de correa (Incluye #10, 12, válvula de chequeo y manga) *	1
JUEGO DE PIEZAS DE REPUESTO				
▲	--	WL211201SJ	Kit de placa de válvula (Incluye #2-7)	1
●	--	WL211100AJ	Kit de prisioneros (Juego de 4 cada uno., pieza #11)	1
† = Artículo estándar de ferretería -- = No disponible * = Se consideran artículos con desgaste normal				

GARANTÍA LIMITADA DE TRES AÑOS PARA EL COMPRESOR DE AIRE RIDGID®

Este producto es fabricado por Campbell Hausfeld. Su marca es una marca registrada con licencia de Ridgid, Inc. Todas las comunicaciones referentes a la garantía deben dirigirse al servicio técnico de compresores de aire RIDGID al número de llamada gratuita 1-800-4-RIDGID.

QUÉ ESTÁ CUBIERTO BAJO LA GARANTÍA LIMITADA DE TRES AÑOS

Esta garantía cubre todos los defectos de mano de obra o materiales de este compresor de aire RIDGID durante un período de tres años a partir de la fecha de compra. Esta garantía es específica para este compresor de aire. Las garantías para otros productos RIDGID pueden variar.

CÓMO OBTENER EL SERVICIO

Para obtener servicio para este compresor de aire RIDGID debe enviarlo, con el flete pagado, a un centro de servicio autorizado para la reparación de compresores de aire RIDGID. Puede obtener la ubicación del centro de servicio más próximo llamando por el número de llamada gratuita 1-800-4-RIDGID o conectándose al sitio Web de RIDGID en www.ridgid.com. Cuando solicite un servicio cubierto por la garantía, debe presentar documentación de prueba de compra, que incluya la fecha de compra. El centro de servicio autorizado reparará cualquier defecto de mano de obra y reparará o reemplazará cualquier pieza defectuosa, según lo decida Campbell Hausfeld sin que esto presente un costo para usted.

QUÉ NO ESTÁ CUBIERTO

Esta garantía se aplica sólo al comprador original en el momento de la venta al por menor y no puede ser transferida. Esta garantía no cubre el uso y desgaste normales de los componentes (consulte piezas de repuesto) ni ningún malfuncionamiento, falla o defecto que sea el resultado de un uso incorrecto, abuso, negligencia, alteración, modificación o reparación por otro que no sea un centro de servicio autorizado para reparar compresores de aire de marca RIDGID. Los materiales fungibles, tales como el aceite, los filtros, etc. no están cubiertos por esta garantía. Los motores a gasolina y sus componentes están expresamente excluidos de esta cobertura y usted debe cumplir con la garantía proporcionada por el fabricante del motor, la cual se proporciona con el producto. **CAMPBELL HAUSFELD NO PROPORCIONA NINGUNA GARANTÍA, REPRESENTACIÓN NI PROMESA SOBRE LA CALIDAD O EL FUNCIONAMIENTO DE SUS COMPRESORES DE AIRE EXCEPTO POR AQUELLAS QUE SE MENCIONAN ESPECÍFICAMENTE EN ESTA GARANTÍA. RIDGID, INC. NO PROPORCIONA NINGUNA GARANTÍA NI REPRESENTACIÓN, EXPRESA O IMPLÍCITA INCLUYENDO LAS QUE SE DETALLAN A CONTINUACIÓN.**

LIMITACIONES ADICIONALES

Hasta donde está permitido por las leyes que se aplican, se niega toda responsabilidad por garantías implícitas, incluyendo las garantías de COMERCIALIZACIÓN o IDONEIDAD PARA USOS ESPECÍFICOS. Las responsabilidades de cualquier garantía implícita, incluyendo las garantías de comerciabilidad o idoneidad para usos específicos, que no puedan ser denegadas de acuerdo a las leyes estatales estarán limitadas a tres años a partir de la fecha de compra. Campbell Hausfeld no es responsable por daños directos, indirectos, incidentales, especiales o consecuentes. Algunos estados no permiten limitaciones sobre la duración de las garantías implícitas y/o no permiten la exclusión ni la limitación de daños incidentales o consecuentes, por lo tanto es posible que las limitaciones anteriores no se apliquen en su caso. Esta garantía le proporciona derechos legales específicos, y también puede tener otros derechos que varían de un estado a otro.

PREGUNTAS O COMENTARIOS

LLAME A 1-800-4-RIDGID

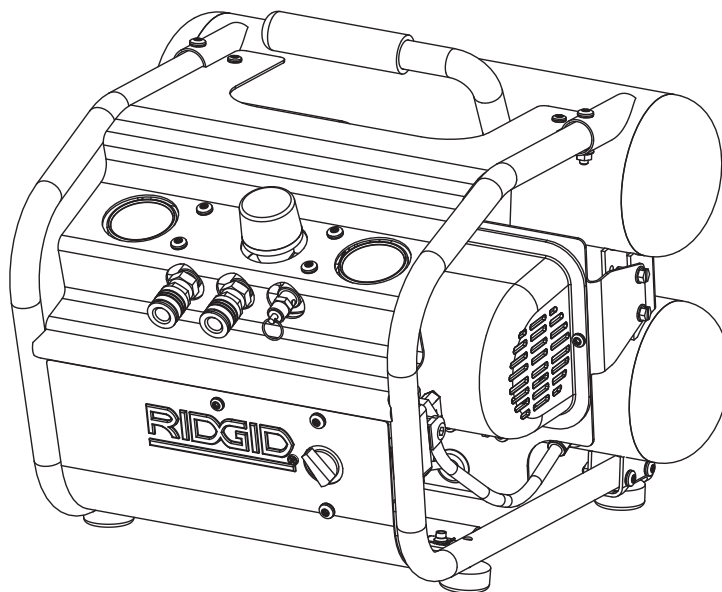
www.ridgid.com

Sírvase tener a mano el número de modelo y el número de serie cuando llame.

N° de catálogo OF25150A
N° de modelo OF25150A
N° de serie
El número de modelo y el número de serie se pueden encontrar en su unidad. Debe registrar tanto el número de modelo como el número de serie en un lugar seguro para su uso futuro.



OF25150A MANUEL D'OPÉRATEUR



COMPRESSEUR D'AIR PORTABLE DE 9,46 L (2,5 GALLONS) À DEUX COLONNES

⚠ AVERTISSEMENT:

Pour réduire les risques de blessures, l'utilisateur doit lire et comprendre le manuel d'opérateur avant d'utiliser ce produit.

Table des matières

Section	Page	Section	Page
Instructions de sécurité	39 - 41	Installation	43
Mot signal de sécurité.....	39	Apprendre à connaître votre	
Avant d'utiliser le compresseur d'air.....	39	compresseur d'air	44 - 45
Précautions de pulvérisation.....	40	Fonctionnement de votre	
Étiquettes d'avertissement.....	41	compresseur d'air	46
Spécifications du moteur et		L'Humidité dans l'Air Comprimé.....	46
exigences électriques	41 - 42	Fonctionnement de votre	
Alimentation électrique et spécifications		compresseur d'air.....	46
du moteur.....	41	Pour un Fonctionnement sans Problème ..	46
Connexions électriques générales.....	42	Entretien	47
110-120 volts, 60Hz Information		Horaire d'entretien	47
sur l'outil.....	42	Dépannage	48 - 49
Rallonges.....	42	Pièces de rechange	50 - 53
Protecteur de Surcharge Thermique.....	42	Garantie	54
Glossaire des termes	43		
Déballer et vérifier le contenu	43		

Instructions de sécurité

Ce manuel contient de l'information très importante qui est fournie pour la SÉCURITÉ et pour ÉVITER LES PROBLÈMES D'ÉQUIPEMENT. Rechercher les symboles suivants pour cette information.

Mot signal de sécurité

▲ DANGER: Danger indique une situation hasardeuse imminente qui, si pas évitée, RÉSULTERA en perte de vie ou blessures graves.

▲ AVERTISSEMENT: Avertissement indique une situation hasardeuse potentielle qui, si pas évitée, PEUT résulter en perte de vie ou blessures graves.

▲ ATTENTION: Attention indique une situation hasardeuse potentielle qui, si pas évitée, PEUT résulter en blessures modérées.

AVIS: Avis indique l'information importante pour éviter le dommage de l'équipement.

Avant d'utiliser le compresseur d'air

PROPOSITION 65 DE CALIFORNIE

▲ AVERTISSEMENT:

Ce produit ou son cordon peuvent contenir des produits chimiques, y compris du plomb, relevés par l'État de Californie comme cause de cancer, d'anomalies congénitales ou d'autres problèmes reproductifs. Lavez-vous les mains après toute manipulation.

▲ AVERTISSEMENT:

Vous pouvez créer de la poussière en coupant, ponçant, perçant ou meulant les matériaux tels que le bois, la peinture, le métal, le béton, le ciment ou autre maçonnerie. Cette poussière contient souvent des produits chimiques reconnus pour causer le cancer, les déformations congénitales ou autres problèmes de la reproduction. Porter de l'équipement de protection.



Les compresseurs d'air sont utilisés dans une variété d'applications. Puisque les compresseurs d'air et autres pièces détachées (pompe, pistolets, filtres, graisseurs, tuyaux, etc.) forment un système de pompage de haute pression, observez les précautions de sécurité suivantes. Seules les personnes bien familiarisés avec ces règles de sécurité doivent être autorisés à se servir du compresseur.

▲ AVERTISSEMENT:

Seul un électricien qualifié (autorisé ou diplômé) doit effectuer les travaux électriques. Sur un circuit installé correctement, les fils noirs fournissent une tension même si le modèle est hors circuit (OFF).

1. Lire attentivement tous les manuels d'instructions pour chaque pièce détachée avant d'essayer de monter, démonter ou de faire fonctionner votre système.
2. Porter des lunettes de sécurité (répondant à la norme ANSI Z87.1 ou au Canada CSA Z94.3-99) et

utiliser une protection auditive en faisant fonctionner la pompe ou l'appareil. Les lunettes courantes ne sont pas des lunettes de sécurité.

3. Ne pas dépasser l'évaluation de pression de n'importe quelle pièce détachée du système.
4. Protéger la tuyauterie et canalisations d'air contre le dommage ou la perforation. Garder les tuyaux et câbles de transport d'énergie à l'écart des objets pointus, déversements chimiques, huile, solvants et planchers trempés.
5. Ne jamais pointer un pistolet vers soi-même ni vers une autre personne. Le décharge accidentel peut causer des blessures graves.
6. Inspecter les tuyaux pour la faiblesse ou l'usure avant chaque utilisation et assurer que les raccords soient sûrs; ne pas les utiliser si défectueux. Contacter un centre de service autorisé pour une inspection ou réparation.
7. Dissiper toute la pression du système lentement; la poussière et le débris peuvent être dangereux.
8. Suivre toutes les codes locaux d'électricité et de sécurité, ainsi que le National Electrical Code (NEC) et le Occupational Safety and Health Act (OSHA).

▲ AVERTISSEMENT:

Débrancher et dissiper toute la pression du système avant de procéder à l'entretien du compresseur! (Mettre le compresseur hors circuit et tourner le bouton de réglage de pression complètement au sens des aiguilles d'une montre.)

9. L'installation des fils et fusibles devraient suivre les codes électriques, capacité du courant, et doivent être mis à la terre correctement.
10. Les moteurs électriques doivent être mis à la terre correctement. Voir les instructions de mise à la terre et l'information concernant les cordons prolongateurs dans ce manuel.
11. Toujours débrancher la source d'énergie avant de travailler sur ou près d'un moteur, ou son charge branché. Si l'endroit de débranchement est hors vue, le serrer dans la position ouverte et l'étiquetter pour éviter une application de puissance inattendue.

Instructions de sécurité (suite)

- Protéger contre les pièces mobiles; garder les visiteurs à l'écart de l'endroit de travail. Ne jamais permettre les enfants dans l'endroit de travail.
- Utiliser seulement une prise de courant mise à la terre qui acceptera une fiche à trois broches, et portez des chaussures pour éviter le risque de secousse électrique.
- Prendre précaution de ne pas toucher l'extérieur du moteur car il peut être assez chaud pour causer des blessures.
- Protéger le câble électrique contre les objets pointus.
- Nettoyer l'équipement électrique ou électronique avec un produit approuvé tel qu'un solvant de nettoyage sèche qui n'est pas inflammable.
- Mettre au rebut les torchons usés dans les récipients en métal approuvés pour éviter la combustion spontanée.
- Ne jamais entreposer les liquides inflammables ou gaz dans l'endroit du compresseur.
- En pulvérisant avec des solvants ou des produits chimiques toxiques, suivre les instructions fournies par le fabricant des produits chimiques.
- Pour éviter la collection des vapeurs et les risques de santé ou d'incendie, pulvériser dans un endroit bien ventilé.
- Ne pas pulvériser dans l'endroit d'une flamme ni dans un endroit où une étincelle peut précipiter l'allumage. Ne pas fumer pendant la pulvérisation de la peinture, d'insecticides ou autres produits inflammables.
- Utiliser un respirateur pendant la pulvérisation.
- NE JAMAIS altérer la soupape de sécurité ou le manostat. Garder la soupape de sûreté libre de peinture et autres accumulations. Ceci sert à éviter la sur-pression.
- Suivre l'entretien ordinaire; garder tous les écrous, boulons et vis serrés pour assurer un bon état de marche de l'équipement.
- Garder tous les torchons de nettoyage et autres produits inflammables dans un récipient en métal fermé et mettre au rebut de manière responsable.
- Faire couler l'humidité du réservoirs quotidiennement. Si le modèle n'est pas en service pour quelque temps, laisser le robinet de vidange ouvert. Ceci permet que l'humidité se vide complètement et aide à empêcher la corrosion.
- Vérifier les réservoirs quotidiennement pour la trous d'épingle ou autres imperfections qui peuvent avoir un effet sur la sécurité. NE JAMAIS souder ou percer les réservoirs à air.
- Ce produit n'est pas conçu pour être installé ou utilisé dans un garage commercial ou installations similaires.

Précautions de pulvérisation

⚠ AVERTISSEMENT:

Ne pas pulvériser des matériaux inflammables près d'une flamme ni près d'une source d'ignition y inclus le compresseur.



- No fume mientras esté rociando pintura, insecticidas u otras substancias inflamables.
- Use una máscara / respirador cuando vaya a rociar y siempre rocíe en un área bien ventilada, para evitar peligros de salud e incendios.



- Nunca rocíe la pintura y otros materiales, directamente hacia el compresor. Coloque el compresor lo más lejos posible del área de trabajo, para minimizar la acumulación de residuos en el compresor.
- Al rociar o limpiar con solventes o químicos tóxicos, siga las instrucciones del fabricante de dichos químicos.

⚠ DANGER:

Avertissement D'Air Respirable

Ce compresseur n'est pas équipé pour et ne devrait pas être utilisé "comme soi" pour fournir de l'air respirable. Pour les applications d'air pour la consommation humaine, il est nécessaire d'équiper le compresseur d'air/pompe avec de l'équipement de sécurité en canalisation et d'alarme. Cet équipement additionnel est nécessaire pour filtrer et purifier l'air afin d'atteindre les spécifications minimales pour la respiration Grade D décrit dans le Compressed Gas Association Commodity Specification G 7.1 - 1966, OSHA 29 CFR 1910. 134, et/ou Canadian Standards Associations (CSA).

DÉNÉGATION DES GARANTIES

Si le compresseur est utilisé pour les applications d'air respirable et l'équipement de sécurité en canalisation et d'alarme n'est pas utilisé simultanément, les garanties en existence seront annulées, et Campbell Hausfeld nie toute responsabilité pour n'importe quelle perte, blessure personnelle ou dommage.

Instructions de sécurité (suite)

Étiquettes d'avertissement

Trouver et lire toutes les étiquettes d'avertissement qui se trouvent sur le compresseur d'air.

⚠ WARNING	⚠ AVERTISSEMENT	⚠ ADVERTENCIA
• READ INSTRUCTION MANUAL BEFORE OPERATING.	• LIRE LE MANUEL D'UTILISATION AVANT DE FAIRE FONCTIONNER LE MODÈLE.	• LEA EL MANUAL DE INSTRUCCIONES ANTE OPERAR.
• RISK OF FIRE OR EXPLOSION - DON NOT SPRAY COMBUSTIBLE/FLAMMABLE LIQUID IN A CONFINED AREA. SPRAY AREA MUST BE WELL VENTILATED. DO NOT SMOKE WHILE SPRAYING OR SPRAY WHERE SPARK OR FLAME IS PRESENT. ARCING PARTS - KEEP COMPRESSOR AT LEAST 20 FEET AWAY FROM SPRAYING AREA AND ALL EXPLOSIVE VAPORS. DO NOT CARRY WHILE PAINTING.	• RISQUE D'INCENDIE OU D'EXPLOSION - NE PAS PULVÉRISER LES LIQUIDES COMBUSTIBLES/INFLAMMABLES DANS UN ENDROIT CLOS. L'ENDROIT DE PULVÉRISATION DOIT ÊTRE BIEN VENTILÉ. NE PAS FUMER PENDANT LA PULVÉRISATION NI PULVÉRISER DANS L'ENDROIT D'UNE FLAMME OU D'UNE ÉTINCELLE. PIÈCES QUI PROJettent DES ÉTINCELLES - GARDER LE COMPRESSEUR AU MOINS 6,1 M DE L'ENDROIT DE PULVÉRISATION ET TOUTES VAPEURS EXPLOSIVES. NE PORTEZ PAS TOUT EN PEIGNANT.	• RIESGO DE INCENDIO O EXPLOSIÓN - NO ROCÍE LÍQUIDOS COMBUSTIBLES/INFLAMMABLES EN UN ÁREA ENCERRADA. EL ÁREA DE TRABAJO DEBE ESTAR BIEN VENTILADA. NO FUME MIENTRAS ESTE ROCIANDO NI ROCÍE CERCA DE CHISPAS O LLAMAS. PIEZAS QUE PRODUCEN ARCOS ELÉCTRICOS-MANTENGA EL COMPRESOR AL MENOS A 6,1 M DE DISTANCIA DEL ÁREA DONDE ESTE ROCIANDO O DE DONDE HAYA CUALQUIER TIPO DE VAPORES EXPLOSIVOS. NO LLEVE MIENTRAS QUE PINTA.
• RISK OF INJURY - DO NOT DIRECT AIR SYSTEM AT BODY. USE EYE PROTECTION. COMPRESSOR STARTS AUTOMATICALLY. MOVING PARTS. DO NOT TOUCH. KEEP GUARDS IN PLACE. COMPRESSOR DOES NOT SUPPLY BREATHABLE AIR.	• RISQUE DE BLESSURE - NE PAS DIRIGER LE JET D'AIR VERS VOTRE CORPS. UTILISER LA PROTECTION OCULAIRE. LE COMPRESSEUR SE DÉMARRE AUTOMATIQUement. PIÈCES MOBILES N'Y TOUCHEZ PAS. GARDER LES APPARELS PROTÈCTEURS EN PLACE. LE COMPRESSEUR NE FOURNIT PAS DE L'AIR RESPIRABLE.	• RIESGO DE HERIDAS - NO DIRIJA EL FLUJO DE AIRE DIRECTAMENTE AL CUERPO. PROTEJASE LA VISTA. EL COMPRESOR SE ENCIENDE AUTOMÁTICAMENTE. PIEZAS QUE SE MUEVEN. NO LAS TOQUE. MANTÉNGALAS PROTEGIDAS. EL COMPRESOR NO LE SUMINISTRA AIRE RESPIRABLE.
• RISK OR BURSTING - DO NOT ADJUST REGULATOR TO RESULT IN OUTPUT PRESSURE GREATER THAN MARKED MAXIMUM PRESSURE OR ATTACHMENT. IF A REGULATOR HAS NOT BEEN INSTALLED, USE ONLY ATTACHMENT RATED AT 200 PSI OR HIGHER. DO NOT WELD ON OR REPAIR TANK - REPLACE. DO NOT OPERATE WITHOUT PROPER ASME SAFETY VALVE IN PLACE.	• RISQUE D'ÉCLATEMENT - NE PAS AJUSTER LE RÉGULATEUR AFIN D'OBTENIR UNE PRESSION DE DÉCHARGE PLUS ÉLEVÉE QUE LA PRESSION MAXIMUM DE L'ACCESSOIRE. S'IL N'Y A PAS DE RÉGULATEUR, UTILISER SEULEMENT LES ACCESSOIRES QUI SONT CLASSIFIÉS À 1379 kPa OU PLUS. NE PAS SOUDER SUR/NI RÉPARER LE RÉSERVOIR - LE REMPLACER. NE PAS FAIRE FONCTIONNER SANS QUIL Y AIT UNE SOUPAPE DE SÛRETÉ ASME EN PLACE.	• RIESGO DE EXPLOSIÓN - NO AJUSTE EL REGULADOR PARA OBTENER UNA PRESIÓN DE SALIDA SUPERIOR A LA INDICADA COMO PRESIÓN MÁXIMA DEL ACCESORIO. SI NO HA INSTALADO UN REGULADOR, USE SOLO ACCESORIOS DISEÑADOS PARA PRESIONES DE 138 BAR O MÁS. NO SUELDE NI REPARE EL TANQUE - REEMPLÁCELO. NO LO OPERE SIN HABERLE INSTALADO UNA VALVULA DE SEGURIDAD ASME ADECUADA.
• RISK OR ELECTRICAL SHOCK - HAZARDOUS VOLTAGE: DISCONNECT FROM POWER SOURCE BEFORE SERVICING. COMPRESSOR MUST BE GROUNDED. DO NOT USE GROUNDING ADAPTORS. DO NOT EXPOSE TO RAIN. INDOOR USE ONLY.	• RISQUE DE SECOURSÉ ÉLECTRIQUE - TENSION HASARDEUSE: DÉBRANCHER DE LA SOURCE DE PUISSANCE AVANT DE PROCÉDER À L'ENTRETIEN. LE COMPRESSEUR DOIT ÊTRE MIS À LA TERRE. NE PAS UTILISER DES ADAPTATEURS DE MISE À LA TERRE. NE PAS EXPOSER À LA PLUIE. UTILISATION D'INTERIEUR SEULEMENT.	• RIESGO DE CHOQUE ELÉCTRICO - VOLTAGE PELIGROSO: DESCONÉCTELO DEL TOMACORRIENTES ANTES DE DARLE SERVICIO. EL COMPRESOR SE DEBE CONECTAR A TIERRA. NO USE ADAPTADORES PARA CONECTARLO A TIERRA. NO LO DEJE A LA INTemperIE. USO DE INTERIOR SOLAMENTE.
IF CONNECTED TO A CIRCUIT PROTECTED BY FUSES, USE TIME-DELAYED FUSE MARKED "D".	SI BRANCHÉ À UN CIRCUIT PROTÉGÉ PAR DES FUSIBLES, UTILISER UNE FUSIBLE À RETARDÉMENT MARQUÉE "D".	SI LO CONECTA A UN CIRCUITO PROTEGIDO CON FUSIBLES, USE FUSIBLES DE ACCIÓN RETARDADA TIPO "D".
COMPLIES WITH CCR462 (L1)2.	SE CONFORME AU CCR462 (L1)2.	CUMPLE CON LAS ESPECIFICACIONES CCR462 (L1)2. <small>GR88800AV 1/209</small>



Spécifications du moteur et exigences électriques

Alimentation électrique et spécifications du moteur

⚠ AVERTISSEMENT:

Pour réduire le risque d'incendie, de choc électrique ou de dommages aux outils, utiliser la bonne protection de circuit. Votre outil est câblé à l'usine pour fonctionner à l'aide de la tension indiquée. Connecter l'outil à une ligne de courant avec une tension appropriée et un circuit de dérivation de 15 ampères. Utiliser un disjoncteurs ou un fusible de type de surcharge de 15 ampères. Pour réduire les risques d'incendie et de chocs électriques, si le cordon est usé ou coupé ou endommagé de quelque façon que ce soit, le remplacer immédiatement.

Le moteur c.a. de cet appareil est un type universel aux spécifications suivantes :

Tension	110 - 120
Ampères	15.0
Hertz	60
Phase	Monophase
tr/min	17,500

Il est câblé à l'usine pour fonctionner sous 110 - 120 V c.a., 60 Hz.

Spécifications du moteur et exigences électriques (suite)

Connexions électriques générales

⚠ DANGER:

Pour réduire les risques d'électrocution :

1. Utiliser seulement des pièces de rechange identiques pour les réparations. Ces dernières doivent être effectuées par un technicien qualifié.
2. Ne pas utiliser sous la pluie ou lorsque le sol est humide. L'appareil est prévu seulement pour une utilisation résidentielle intérieure.

⚠ AVERTISSEMENT:

Ne pas laisser les doigts toucher les bornes de la prise en installant ou retirant la fiche de la prise.

110-120 volts, 60Hz Information sur l'outil

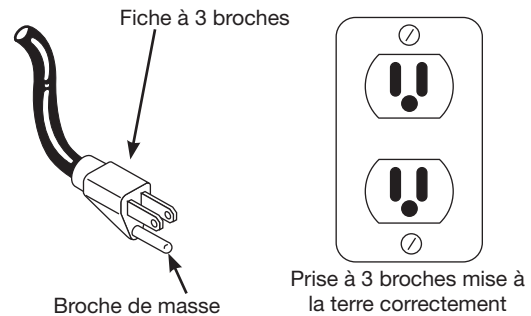
La fiche fournie avec votre outil pourrait ne pas s'ajuster dans la prise que vous prévoyez utiliser. Votre code d'électricité local pourrait exiger des connexions de fiche de cordon d'alimentation un peu différentes. Si c'est le cas, se reporter et effectuer les ajustements appropriés selon votre code local avant de brancher et de mettre l'outil en marche.

Dans le cas d'un court-circuit, la mise à la terre donne une voie de moindre résistance au courant électrique, ce qui réduit les risques de choc électrique. Cet outil est doté d'un cordon électrique à conducteur de mise à la terre de l'équipement et une fiche de masse, tel qu'illustré. La fiche doit être branchée dans une prise de courant assortie installée et mise à la terre correctement conformément à tous les codes et ordonnances locaux.

Ne modifiez pas la fiche fournie. Si elle n'entre pas correctement dans la prise, faire installer une prise convenable par un électricien qualifié.

Une mauvaise connexion du conducteur de terre de l'équipement peut créer des risques de chocs électriques. Le conducteur à l'isolant vert à l'extérieur (avec ou sans rayures jaunes) est le conducteur de terre. S'il faut remplacer ou réparer le cordon électrique ou la fiche, ne pas brancher le conducteur de terre à une borne sous tension.

Ce produit est conçu pour l'utilisation sur un circuit de 120 volts et a une fiche de mise à la terre comme celle indiquée ci-dessous. Brancher ce produit seulement à une prise avec la même configuration de la fiche. Ne pas utiliser un adaptateur avec ce produit.



Si l'on ne comprend pas entièrement les instructions de mise à la terre ou s'il y a des doutes quant à la mise à la terre appropriée, vérifier auprès d'un électricien qualifié ou du personnel de service.

⚠ AVERTISSEMENT:

Cet outil pourrait provoquer un choc électrique s'il n'est pas mis à terre correctement, tout particulièrement quand utilisé dans des emplacements humides, près de la plomberie ou à l'extérieur.

Rallonges

1. Le compresseur d'air doit être placé à un endroit permettant de le brancher directement dans une prise. Il ne faut pas utiliser de rallonge avec cet appareil.
2. Pour éviter toute perte de courant et toute surchauffe, il est recommandé d'utiliser un tuyau à air supplémentaire plutôt qu'une rallonge.

Protecteur de Surcharge Thermique

⚠ ATTENTION:

Ce compresseur est doté d'un protecteur de surcharge à réarmement automatique qui coupera le moteur s'il surchauffe.

Si le protecteur coupe fréquemment le moteur, rechercher les causes suivantes.

1. Basse tension.

2. Filtre d'air bloqué.

3. Manque de ventilation appropriée.

Voir le tableau de dépannage pour la mesure corrective.

⚠ ATTENTION:

Si le protecteur de surchauffe est activé, le moteur doit être débranché et il faut le laisser refroidir pendant 30 minutes avant de le réutiliser.

Glossaire des termes

Soupape De Sûreté ASME

Cette soupape relâche l'air automatiquement si la pression du réservoirs dépasse la pression maximum réglé d'avance.

PSI (libres pour pouce carré)

Mesure la pression exercée par la force de l'air. La sortie réelle en lb/po² se mesure par un manomètre sur le compresseur.

PCNM (pied cube normal par minute)

pi³/min (pied cube par minute) Mesure du volume d'air livré par le compresseur

Soufflage d'air

Une combinaison de psi et PCNM. Le soufflage d'air requis par un outil est indiqué sous forme de (nombre) PCNM à (nombre) psi. Le mélange de ces chiffres détermine la taille d'appareil nécessaire.

Capacité de réservoir à air

Le volume d'air stocké dans les réservoirs et disponible pour une utilisation immédiate. Un large réservoirs permet l'utilisation intermittente d'un outil pneumatique exigeant de l'air à un niveau plus élevé que la valeur nominale du compresseur.

Volts ou tension

Une mesure de la force d'un courant électrique.

A ou ampères

Une mesure de la force électrique moins la résistance sur une ligne électrique. Les compresseurs RIDGID exigent 15 ampères pour fonctionner. S'assurer que le compresseur fonctionnera sur une ligne électrique aux bons ampères. Si d'autres appareils ménagers fonctionnent sur la même ligne, ils réduiront les ampères disponibles. Si l'ampérage n'est pas adéquat, le résultat sera des fusibles grillés ou des disjoncteurs déclenchés.

Régulateur

Un contrôle qui ajuste la pression de fluide à la quantité appropriée nécessaire pour faire fonctionner les pistolets de pulvérisation et les outils pneumatiques.

Manomètre des réservoirs

Indique la pression d'air dans le réservoirs en psi.

Jauge de sortie régulée

Affiche les pressions de canalisation actuelles. Il est réglé par le bouton du régulateur.

Pression de fermeture/d'ouverture

PSI précis lorsque le compresseur démarre et s'arrête en remplissant les réservoirs d'air.

Moteur universel

Un moteur léger monophasé de c.a. de type à balais qui tourne à un niveau élevé de tr/min.

Déballer et vérifier le contenu

1. Retirez le compresseur d'air du carton.
2. Placez le compresseur sur une surface de travail fixe, sécurisée et à niveau et vérifiez attentivement.

⚠ AVERTISSEMENT:

Pour votre propre sécurité, ne jamais faire fonctionner l'appareil avant de terminer toutes les étapes d'assemblage et d'avoir lu et compris tout le manuel de l'opérateur.

⚠ AVERTISSEMENT:

Pour réduire les risques de blessure, s'ils manquent des pièces, ne pas essayer de faire fonctionner le compresseur d'air avant d'avoir obtenu les pièces manquantes et de les avoir installées correctement.

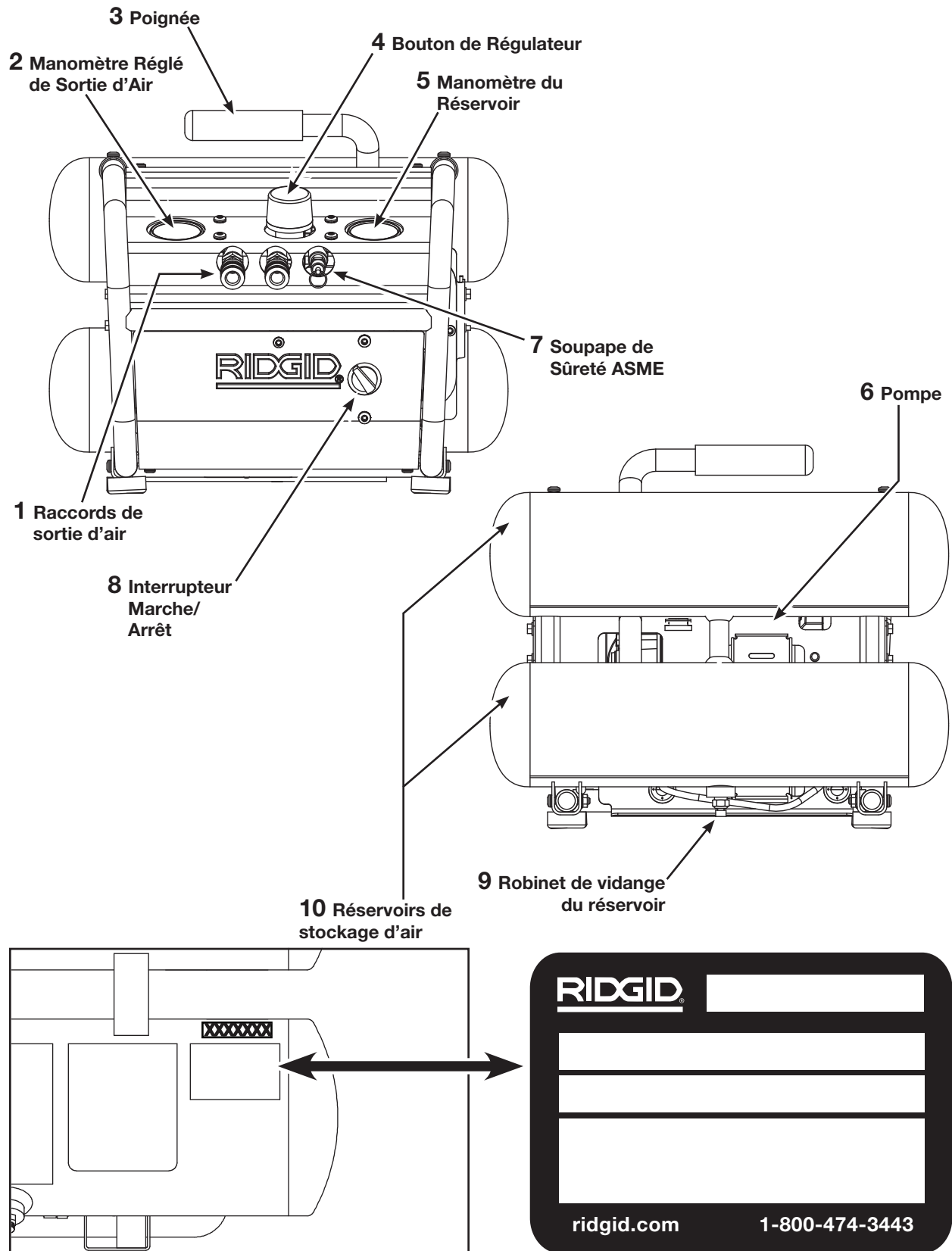
⚠ AVERTISSEMENT:

Ne pas faire fonctionner l'appareil s'il est endommagé pendant l'expédition, la manipulation ou l'utilisation. Des dommages peuvent mener à l'éclatement et provoquer des blessures ou des dommages à la propriété.

Installation

1. Vérifier et serrer tous les boulons, raccords, etc., avant d'utiliser le compresseur.
2. Utiliser le compresseur dans un endroit bien ventilé afin de le refroidir.
3. Le compresseur d'air doit être placé à un endroit permettant de le brancher directement dans une prise. Il ne faut pas utiliser de rallonge avec cet appareil.
4. Pour éviter toute perte de courant et tout surchauffe, il est recommandé d'utiliser un tuyau à air supplémentaire plutôt qu'une rallonge.

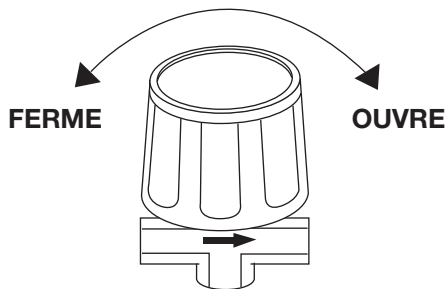
Apprendre à connaître votre compresseur d'air



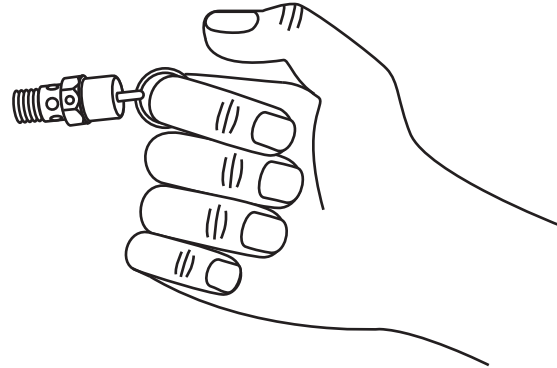
Décalque de modèle

Apprendre à connaître votre compresseur d'air (suite)

- 1. Raccords de sortie d'air.** Ces raccords sont des raccords universels rapides de 1/4 po et permettent des changements d'outils rapides.
- 2. Manomètre Réglé de Sortie d'Air.** Ce manomètre indique la pression d'air de sortie. La pression d'air est mesurée en livres par pouce carré - (kPa). La plupart des outils ont des capacités de pression maximum. Ne pas dépasser la capacité de pression maximum de l'outil utilisé. S'assurer que le manomètre est à ZERO avant de changer les outils pneumatiques ou avant de débrancher le tuyau.
- 3. Poignée.** Utilisé pour déplacer le compresseur.
- 4. Bouton de Régulateur.** Ce bouton contrôle la pression d'air vers un outil pneumatique ou un pistolet de pulvérisation de peinture. Tourner le bouton dans le sens des aiguilles d'une montre augmente la pression d'air à la sortie. Tourner dans le sens contraire des aiguilles d'une montre réduit la pression d'air à la sortie. Tourner entièrement dans le sens contraire des aiguilles coupera entièrement le débit d'air.



- 5. Manomètre du Réservoir.** Le manomètre indique la pression dans les réservoirs ce qui indique que le compresseur fonctionne bien.
- 6. Pompe.** La pompe aspire l'air et produit l'air comprimé dans les réservoirs de stockage d'air.
- 7. Soupape de Sûreté ASME.** Cette soupape dégage automatiquement l'air si la pression du réservoir dépasse le maximum préétabli.



- 8. Interrupteur Marche/Arrêt.** Ce commutateur permet un contrôle manuel du compresseur. Noter que lorsque le commutateur est en marche, le compresseur démarrera et s'arrêtera automatiquement selon la pression du réservoir.
- 9. Robinet de vidange du réservoir.** Le robinet de vidange du réservoir permet de retirer l'humidité du réservoirs.
- 10. Réservoirs de stockage d'air** Le réservoir stocke de l'air à utiliser plus tard.

Fonctionnement de votre compresseur d'air

L'Humidité dans l'Air Comprimé

L'humidité dans l'air comprimé forme des gouttelettes en arrivant de la pompe du compresseur. Si l'humidité est élevée ou si le compresseur est utilisé continuellement, cette humidité s'accumulera dans les réservoirs. En utilisant un pistolet à peinture ou un pistolet pour décapage au sable, cette eau sera transportée du réservoir par moyen du tuyau, et en forme de gouttelettes hors du tuyau, mélangée avec le matériel utilisé.

IMPORTANT: Cette condensation peut avoir comme résultat des tâches d'eau sur votre travail de peinture, surtout en pulvérisant la peinture qui n'a pas de base d'eau. Pendant le décapage au sable, cette eau servira à tenir le sable ensemble et à causer une obstruction dans le pistolet.

Fonctionnement de votre compresseur d'air

S'assurer de fermer le robinet de vidange du réservoir, que le bouton du régulateur est entièrement tourné dans le sens contraire des aiguilles d'une montre et que l'interrupteur marche/arrêt est en position d'arrêt.

Brancher le compresseur dans un circuit réservé de 15 ampères (au moins).

Mettre l'interrupteur MARCHE/ARRÊT à la position MARCHE. Le compresseur commencera alors à accumuler de la pression.

Lorsqu'il atteint la pression de coupure, installer un tuyau (à l'accessoire voulu installé) sur le raccord de sortie.

Ajuster le bouton du régulateur à la pression voulue.

Le compresseur est maintenant prêt à être utilisé.

⚠ AVERTISSEMENT:

**Ne pas surpressuriser tout outil pneumatique.
Consulter les instructions de l'outil pneumatique
pour connaître la bonne pression pour l'outil.**

Pour un Fonctionnement sans Problème

1. Lire les instructions: Lire attentivement ce manuel de l'opérateur AVANT DE FAIRE FONCTIONNER le nouveau compresseur d'air. Il contient de l'information concernant l'utilisation et l'entretien du modèle.

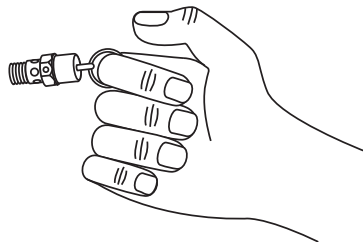
2. Purger les réservoirs quotidiennement: Dépressuriser le système avant de drainer les réservoirs en dégageant l'air à la main par la soupape de sécurité. Ouvrir le robinet de vidange du réservoir et drainer l'humidité du réservoir. Ceci aide à garder l'huile et l'humidité hors du système d'air comprimé. S'assurer de fermer le robinet fermement avant de faire fonctionner le compresseur.

Entretien

⚠ AVERTISSEMENT:

Dissiper toute la pression et débrancher avant d'effectuer n'importe quelle réparation.

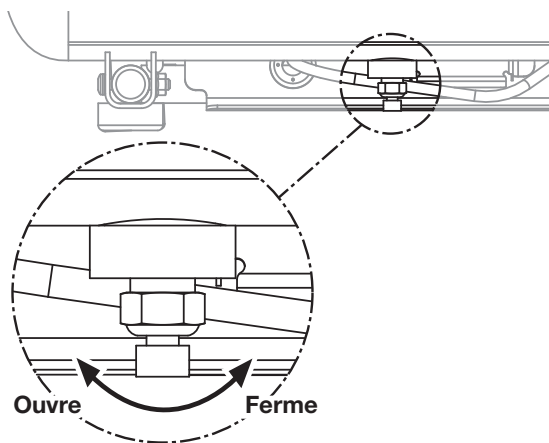
1. Inspecter le compresseur et vérifier que le filtre d'air soit propre.
2. Tirer la bague sur la soupape de sûreté et la permettre de retourner à la position normale.



⚠ AVERTISSEMENT:

Si la soupape de sûreté ne fonctionne pas ou s'il y a une fuite d'air après le relachement de la bague, elle doit être remplacée.

3. Vidanger chaque jour l'humidité du réservoirs. Éteindre le compresseur. Dépressuriser le système avant de drainer les réservoirs. Drainer l'humidité du réservoirs en ouvrant le robinet de vidange sous les réservoirs.



4. Mettre le modèle hors circuit (OFF) et nettoyer la poussière et la saleté du moteur, du réservoir, des canalisations d'air et des ailettes de refroidissement de la pompe.

IMPORTANT: Le modèle doit être situé aussi loin que possible de l'endroit de pulvérisation afin d'éviter l'obstruction du filtre par la sur-pulvérisation.

RÉSERVOIR

⚠ DANGER:

Ne jamais essayer de réparer ni de modifier un réservoir! Le soudage, perçage ou autre modifications peuvent affaiblir le réservoir et peuvent résulter en dommage de rupture ou d'explosion. Toujours remplacer un réservoir usé, fendu ou endommagé.

AVIS:

Purger le liquide du réservoirs quotidiennement.

Inspecter les réservoirs au minimum une fois par année. Rechercher les fissures près des soudures. Si une fissure est visible, dissiper la pression du réservoirs immédiatement et le remplacer.

ENTREPOSAGE

1. Entreposer les tuyaux et le compresseur dans un endroit frais et sec.
2. Les réservoirs doit être purgé d'humidité.
3. Le tuyau doit être débranché et accroché avec les bouts ouverts face en bas afin de faire écouler toute l'humidité.

Horaire d'entretien

Opération	Quotidien	Hebdomadaire
Purger les réservoirs	●	
Vérifier la soupape de sûreté		●
Souffler la saleté de l'intérieur du moteur		●

▲ AVERTISSEMENT:

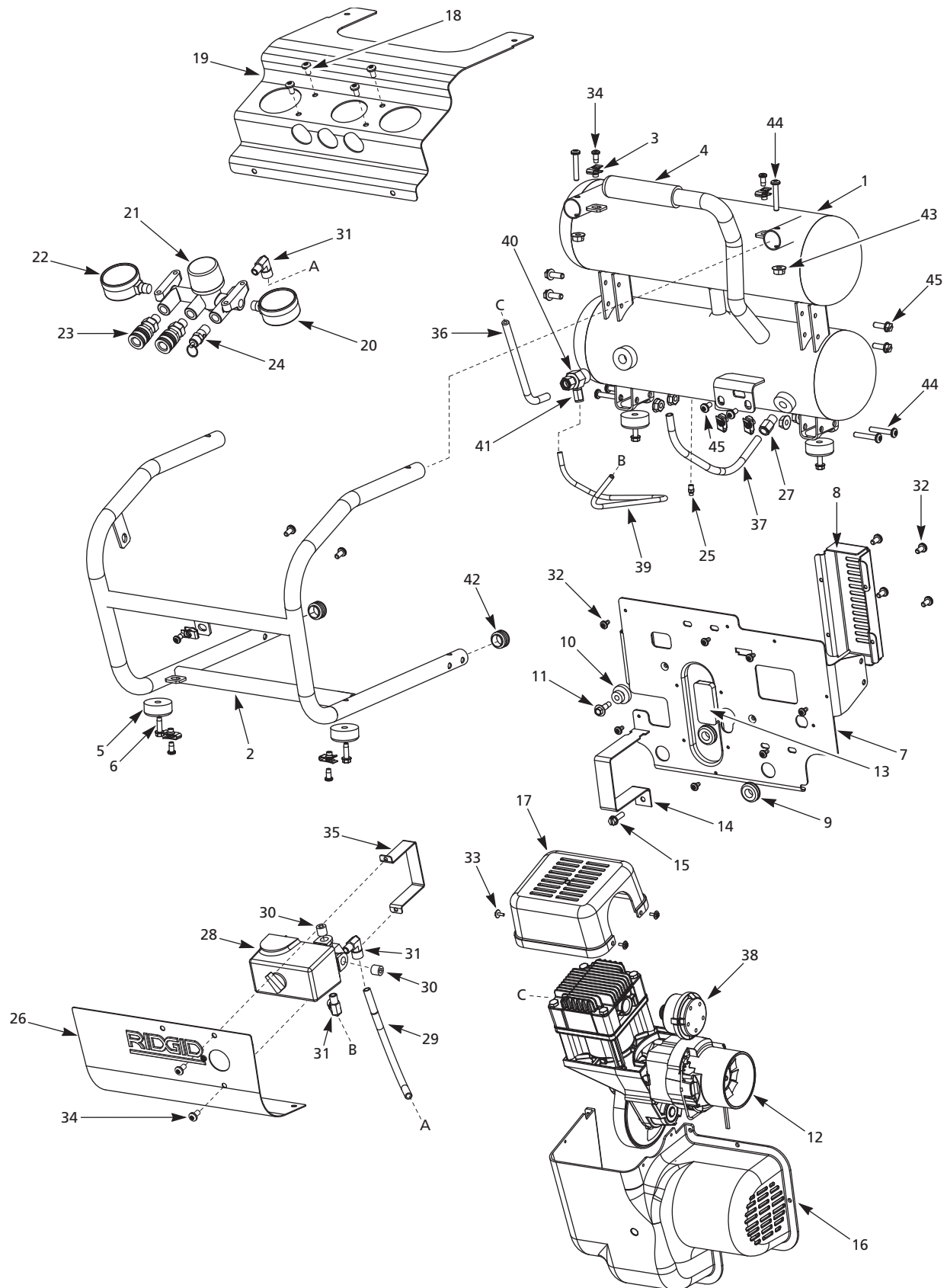
Pour votre propre sécurité ne pas essayer et faire fonctionner le compresseur d'air pendant le dépannage.

PROBLÈME	CAUSE PROBABLES	SOLUTION
Compresseur ne fonctionne pas	<ol style="list-style-type: none"> 1. L'unité est branchée à un cordon prolongateur 2. Aucun courant, fusible grillé ou disjoncteur déclenché au panneau électrique 3. Moteur a surchauffé / surcharge thermique ouverte 4. Connexions électriques desserrées. 5. Mauvais interrupteur MARCHE/ARRÊT 6. Manostat en panne 7. Moteur défectueux 	<ol style="list-style-type: none"> 1. Quitter le cordon 2. Remplacer le fusible ou réinitialiser le disjoncteur, déterminer la cause du problème 3. Remplacer le fusible sauté 4. Vérifier toutes les connexions électriques. 5. Remplacer l'interrupteur MARCHE/ARRÊT 6. Remplacer 7. Remplacer l'assemblage du moteur
Le moteur ronronne mais ne peut pas fonctionner ou fonctionne lentement	<ol style="list-style-type: none"> 1. Tension basse 2. L'unité est branchée à un cordon prolongateur 3. Bobinage du moteur court-circuité ou ouvert 4. Clapet défectueux ou soupape de décharge défectueux (sur le manostat) 	<ol style="list-style-type: none"> 1. Vérifier avec un voltmètre 2. Quitter le cordon 3. Remplacer l'assemblage du moteur. 4. Remplacer ou réparer
La pression du réservoir tombe lorsque le compresseur est éteint	<ol style="list-style-type: none"> 1. Taille de fusible incorrect, surcharge 2. L'unité est branchée à un cordon prolongateur 3. Clapet défectueux ou soupape de décharge défectueux (sur le manostat) 	<ol style="list-style-type: none"> 1. Vérifier toutes les connexions avec une solution d'eau et savon et resserrer ou retirer et appliquer un mastic de jointement aux filets, puis remonter 2. Quitter le cordon 3. Remplacer
Le protecteur de surcharge thermique se déclenche souvent	<ol style="list-style-type: none"> 1. Tension basse 2. Filtre d'air obstrué 3. Ventilation insuffisante/température de l'endroit trop haute 4. L'unité est branchée à un cordon prolongateur 	<ol style="list-style-type: none"> 1. Vérifier avec un voltmètre 2. Nettoyer le filtre (voir la section d'Entretien) 3. Déménager le compresseur à un endroit bien ventilé 4. L'unité est branchée à un cordon prolongateur
La presión del tanque disminuye cuando se apaga el compresor	<ol style="list-style-type: none"> 1. Raccordements dégagés (raccords, tuyaux, etc.) 2. Ouvrir le robinet de vidange du réservoir 	<ol style="list-style-type: none"> 1. Verifique todas las conexiones con una solución de agua y jabón y ajuste o quite y aplique sellador a las roscas, después vuelva a ensamblar 2. Fermer le robinet de vidange du réservoir
Humidité excessive dans l'air de décharge	<ol style="list-style-type: none"> 1. Eau excessive dans les réservoirs à air 2. Humidité élevée 	<ol style="list-style-type: none"> 1. Purger les réservoirs à air 2. Déménager à un endroit moins humide; utiliser un filtre en canalisation d'air

Dépannage (Suite)

PROBLÈME	CAUSE PROBABLES	SOLUTION
Le compresseur fonctionne continuellement	<ol style="list-style-type: none">1. Manostat défectueux2. Utilisation d'air excessif	<ol style="list-style-type: none">1. Remplacer le manostat2. Diminuer l'utilisation d'air; le compresseur n'est pas assez puissant pour la demande
Le compresseur vibre	<ol style="list-style-type: none">1. Desserrer les pieds de caoutchouc sur le réservoir2. Desserrer les boulons de montage de la pompe / du moteur	<ol style="list-style-type: none">1. Resserrer la vis retenant les pieds de caoutchouc2. Resserrer les boulons de montage de la pompe / du moteur
Débit d'air plus bas que normal	<ol style="list-style-type: none">1. Soupape d'admission en panne2. Fuites de raccordements	<ol style="list-style-type: none">1. Faire réparer le modèle par un agent autorisé2. Serrer les raccordements
Moteur tourne, mais aucune sortie d'air	Courroie usée / brisée	Remplacer la courroie (et d'autres pièces de la trousse de courroie)

Pièces de rechange



Pièces de rechange

Pour les pièces de rechange, appeler le 1-800-4-RIDGID

S'il vous plaît fournir l'information suivante:

- Numéro du modèle
- Numéro de série (si applicable)
- Description de la pièce et son numéro sur la liste de pièces

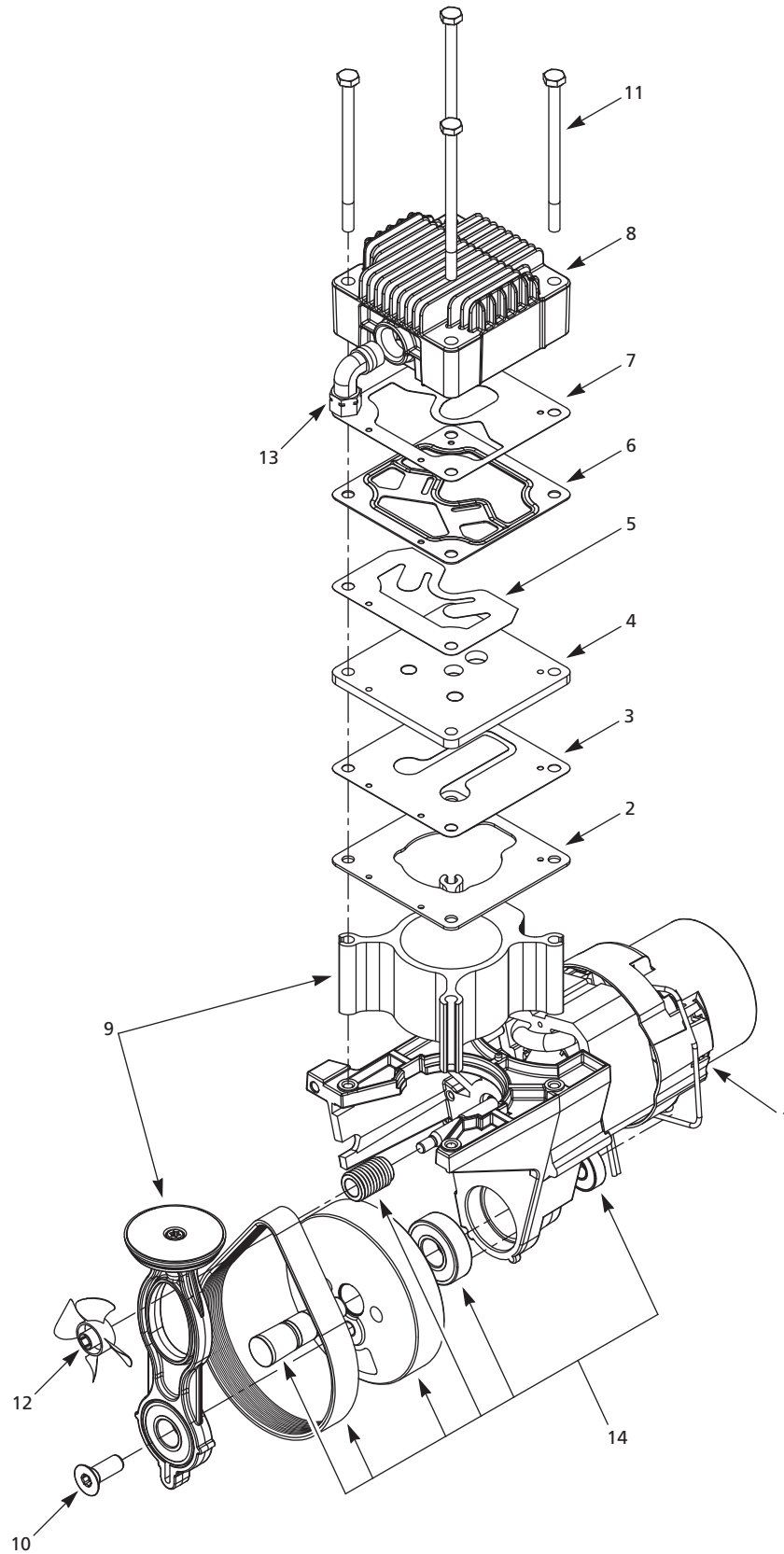
No de clé	No de catalogue	Numéro de pièce	Description	Qte.
1	33383	AR060701AV	Assemblage du réservoir	1
2	--	--	Assemblage d'armature à rouleau	1
3	--	--	Cosse - Écrou à pince à multiples filets Pal	7
4	18028	ST160002AV	Poignée *	1
5	17853	ST158300AV	Pieds en caoutchouc	4
6	17848	ST073276AV	Vis autotaraudeuse de 7,9 mm (5/16 po) - 12	4
7	--	--	Plaque de base	1
8	--	--	Couvercle excentrique	1
9	33388	WL008000AV	Passe-fil en caoutchouc de 22,2 mm (7/8 po) *	2
10	33393	WL003204AV	Montage de moteur en caoutchouc	1
11	17713	ST158000AV	Boulon l'épaulement de 1/4 po (6,3 mm) - 28	1
12	33398	WL390300AJ	Assemblage de moteur de pompe *	1
13	33403	WL007802AV	Coussinet isolant du moteur en caoutchouc	1
14	33408	BA018300AV	Sangle du moteur	1
15	33413	ST073236AV	Vis autotaraudeuse de 1/4 po (6,3 mm) - 20	1
16	--	WL040400AV	Carter de moteur (inférieure)	1
17	--	WL040500AV	Carter de moteur (supérieure)	1
18	17783	ST071626AV	Vis à six lobes à tête ronde de 1/4 po (6,3 mm) - 20	4
19	--	--	Couvercle de collecteur supérieur	1
20	17773	GA016709AV	Manomètre (0 kPa - 1723,75 kPa) 1/4 po NPT *	1
21	35023	WL022500AV	Corps de collecteur avec bouton *	1
22	17878	GA016705AV	Manomètre (0 kPa - 1723,75 kPa) 1/4 po NPT *	1
23	17873	HF203300AV	Raccord *	2
24	17798	V-215106AV	Soupape de sûreté	1
25	17913	D-1403	Robinet de purge *	1
26	--	--	Couvercle avant	1
27	17893	ST119305AV	Raccord de tube droit à ajustement correct Tube de 3/8 po (9,5 mm)	1
28	17908	CW211300AV	Pressostat (inclut un couvercle de pressostat et une soupape de déchargement) *	1
29	18023	WL021402AV	Tuyau flexible de nylon [7 po (17,78 cm) de long]	1
30	17888	ST022500AV	Bouchon de 1/4 po (6,4 mm) NPT	2
31	17868	ST119704AV	Raccord de tube à ajustement correct de 90 ° Tube de 3/8 po (9,5 mm)	3
32	--	--	Vis à six lobes à tête cylindrique	11
33	33493	ST058501AV	Tête hexagonale plascrew avec rondelle	3
34	--	--	Vis à six lobes à tête cylindrique de 1/4 po (6,3 mm) - 20 x 5/8 po (15,9 mm)	7
35	--	--	Sangle de pressostat	1
36	33423	WL046000SJ	Tuyau d'échappement * [incluye tuerca (2) y casquillo (2)]	1
37	33428	WL021409AV	Tuyau flexible de nylon [11-3/4 po (29,85 cm) de long]	1
38	33438	WL021411AV	Tuyau flexible de nylon [16-1/2 po (41,91 cm) de long]	1
39	33443	ST117803AV	Tuyau flexible [19 po (48,26 cm) de long]	1
40	33448	CV221513AV	Soupape de retenue	1
41	20378	ST081301AV	Raccord de tube droit à ajustement correct Tube de 1/4 po (6,3 mm)	1
42	17918	ST073612AV	Bouchon de tube	2
43	--	†	Écrou hexagonal à embase de 1/4 po (6,3 mm) - 20	6
44	17943	ST072224AV	Coude de tube de 3/8 po (9,5 mm) 1/4 po (6,3 mm) NPT	6
45	17863	ST074415AV	Vis autotaraudeuse de 1/4 po (6,3 mm) - 20 x 3/4 po (19 mm)	8
46	17883	CW210001AV	Soupape de déchargement (Pas indiqué)	1
47	--	CW217800AV	Couvercle de pressostat (Pas indiqué)	1

TROUSSES DE PIÈCES DE RÉPARATION

▲	17793	WL024501AV	Trousse de collecteur (inclut n° 20-23)	1
---	-------	------------	---	---

† = Article normal de quincaillerie -- = Pas disponible * = Considérés des articles d'usure normale

Pièces de rechange



Pièces de rechange

Pour les pièces de rechange, appeler le 1-800-4-RIDGID

S'il vous plaît fournir l'information suivante:

- Numéro du modèle
- Numéro de série (si applicable)
- Description de la pièce et son numéro sur la liste de pièces

No de clé	No de catalogue	Numéro de pièce	Description	Qte.
1	33463	WL019100SJ	Jeu de moteur équipé (#2, 3, 6, 7, 10, 12, & 14 compris) *	1
2	--	▲	Joint d'étanchéité de cylindre	1
3		▲	Soupape d'admission *	1
4	--	▲	Plaque de soupape *	1
5	--	▲	Soupape d'échappement *	1
6	--	▲	Joint de soupape d'échappement	1
7	--	▲	Joint d'étanchéité de culasse	1
8	17948	WL010500AV	Culasse	1
9	33468	WL211000SJ	Montage de piston / cylindre (#10 compris) *	1
10	33473	ST071804AV	Vis à tête plate de 3/8 po *	1
11	--	●	Vis a tete hex. de 1/4 po-20 x 4 pov	4
12	33478	WL008400AV	Ventilateur *	1
13	17943	ST072224AV	Coude de compression de 3/8 po (9,5 mm)	1
14	--	WL015304SJ	Jeu de courroie (#10, 12, soupape de retenue et viroles compris) *	1
TROUSSES DE PIÈCES DE RÉPARATION				
▲	--	WL211201SJ	Jeu de plaque de soupape (#2-7 compris)	1
●	--	WL211100AJ	Jeu de boulons à tête (4 chaque, pièce #11)	1
† = Article normal de quincaillerie -- = Pas disponible * = Considérés des articles d'usure normale				

GARANTIE LIMITÉE DE TROIS ANS DE COMPRESSEUR D'AIR RIDGID®

Ce produit est fabriqué par Campbell Hausfeld. La marque de commerce et sous licence de Ridgid, Inc. Toutes les communications sous garantie doivent être adressées au service technique du compresseur d'air RIDGID au (numéro sans frais) 1-800-4-RIDGID.

CE QUI EST COUVERT SOUS LA GARANTIE LIMITÉE DE TROIS ANS

Cette garantie couvre tous les défauts de main d'œuvre ou de matériaux dans ce compresseur d'air RIDGID pour une période de trois ans à partir de la date d'achat. Cette garantie est pour ce compresseur d'air précis. Les garanties d'autres produits RIDGID peuvent varier.

COMMENT OBTENIR LE SERVICE

Pour obtenir le service pour ce compresseur d'air RIDGID, vous devez le retourner, frais de transport prépayés, à un centre de service autorisé pour effectuer les réparations de compresseurs d'air RIDGID. Vous pouvez obtenir l'information sur le centre de service le plus près de vous en appelant le (numéro sans frais) 1-800-4-RIDGID ou en visitant le site Web www.ridgid.com. Pour toute demande de service sous garantie, vous devez présenter la documentation de preuve d'achat qui inclut une date d'achat. Le centre de service autorisé réparera tout problème de main d'œuvre et réparera ou remplacera toute pièce défectueuse, à la discrétion de Campbell Hausfeld sans frais pour vous.

CE QUI N'EST PAS COUVERT

Cette garantie est offerte seulement à l'acheteur original au détail et ne peut pas être transférée. Cette garantie ne couvre pas les composants à usure normale (voir les pièces de réparation) ou toute défaillance, mauvais fonctionnement ou défaut suite à une mauvaise utilisation, un abus, de la négligence, des modifications, des altérations ou des réparations par tout autre qu'un centre de service autorisé à réparer les compresseurs d'air de marque RIDGID. Les matériaux courants tels qu'huile, filtres, etc. ne sont pas couverts sous cette garantie. Les composants et moteurs à essence sont expressément exclus de la couverture et vous devez vous conformer à la garantie du fabricant du moteur qui est fournie avec le produit. **CAMPBELL HAUSFELD N'OFFRE AUCUNE GARANTIE, DÉCLARATION OU PROMESSE QUANT À LA QUALITÉ OU LA PERFORMANCE DE SES COMPRESSEURS D'AIR AUTRES QUE CEUX INDIQUÉS SPÉCIFIQUEMENT DANS CETTE GARANTIE. RIDGID INC N'OFFRE AUCUNE GARANTIE OU DÉCLARATION, EXPRESSE OU IMPLICITE Y COMPRIS CE QUI EST INDIQUÉ PLUS BAS.**

LIMITES SUPPLÉMENTAIRES

Dans la mesure permise par la loi applicable, toutes les garanties implicites, y compris les garanties DE COMMERCIALITÉ et D'ADAPTATION À UN USAGE PARTICULIER, sont déclinées. Toutes les garanties implicites, y compris les garanties de commercialité ou d'adaptation à un usage particulier, qui ne peuvent pas être déclinées sous la loi de l'État sont limitées à trois ans à partir de la date d'achat. Campbell Hausfeld n'est pas responsable des dommages directs, indirects, accidentels, spéciaux ou consécutifs. Certains États ou certaines Provinces n'autorisent pas de limitations de durée pour les garanties implicites, ni l'exclusion ni la limitation des dommages fortuits ou indirects. Les limitations précédentes peuvent donc ne pas s'appliquer. Cette garantie vous donne des droits juridiques spécifiques et vous pouvez aussi avoir d'autres droits qui peuvent varier d'une juridiction à l'autre.

QUESTIONS OU COMMENTAIRES

APPELER LE 1-800-4-RIDGID

www.ridgid.com

En appelant, veuillez avoir à portée de la main votre numéro de modèle et votre numéro de série.

Catalogue numéro OF25150A

No de modèle OF25150A No de série _____

Les numéros de modèle et de série se trouvent sur votre appareil. Vous devriez enregistrer les numéros de série et de modèle dans un endroit sûr à titre de référence future.

