

Please read and save these instructions. Read carefully before attempting to assemble, install, operate or maintain the product described. Protect yourself and others by observing all safety information. Failure to comply with instructions could result in personal injury and/or property damage! Retain instructions for future reference.



# Wire Feed Arc Welder



## Description

These Campbell Hausfeld wire feed welders are designed to be used on standard 120V outlets. The welder is equipped with infinite wire speed control to accurately select the proper wire feed rate needed for various welding conditions. Internal components are thermostatically protected. The WF2150 and WF2154 are designed for use with the Flux Cored Arc Welding (FCAW) process. The WG2160 and WG2164 are designed for use with the Flux Cored Arc Welding (FCAW) or the Gas Metal Arc Welding (GMAW) process. As delivered from the factory, this welder can weld with .030 in. (0.8mm) diameter flux core wire. A starter spool of .030 in.

(0.8 mm) flux cored wire is included.

To use the GMAW process with the WG2160 or WG2164, it is necessary to purchase shielding gas and MIG wire only.

### Unpacking

When unpacking, inspect carefully for any damage that may have occurred during transit. Make sure any loose fittings and screws, etc., are tightened before putting unit into service. **Report any missing or damaged items by calling 1-800-746-5641.**

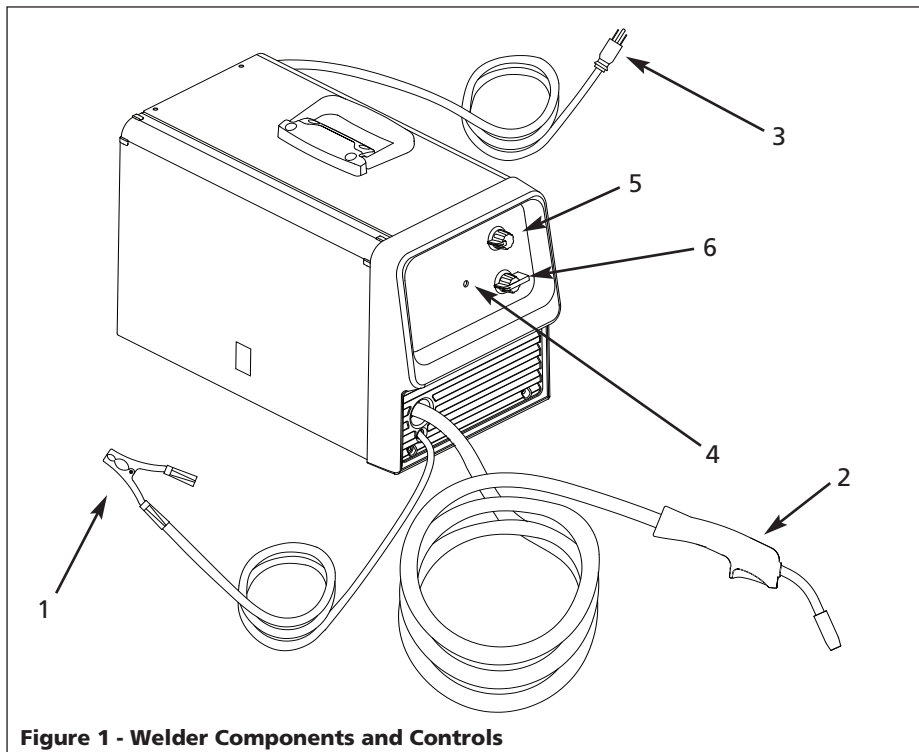
## CIRCUIT REQUIREMENTS

### ⚠ CAUTION

**This equipment requires a dedicated 120 volts. Refer to the following chart for correct circuit breaker or fuse rating for 120 volt models. Do not run other appliances, lights or tools on this circuit while operating this equipment. Extension cords are not recommended. Blown fuses and tripped circuit breakers can result from failure to comply with this recommendation.**

## COMPONENTS AND CONTROLS (FIGURE 1)

1. Work Clamp – connects to work piece.
2. Torch with .030 in. tip.
3. Power Cord – plug into 120 volt outlet.
4. Light – illuminates if thermostat has automatically shut welder off.
5. Infinite Wire Speed Control – turn clockwise to increase wire speed and counterclockwise to decrease wire speed.
6. Off/Heat Selector - Selects welding power and turns welder on. Four selections are possible: 1 – 2 – 3 – 4.



Heat Selector	Circuit Breaker or Slow Blow Fuse for 120V Models	
1-2-3	15 amp	
4	20 amp	

See page 8 for supply cable replacement instructions.

Figure 1 - Welder Components and Controls

**REMINDER: Keep your dated proof of purchase for warranty purposes! Attach it to this manual or file it for safekeeping.**

# Wire Feed Arc Welder

## General Safety

### **⚠ DANGER**

*Danger indicates*

*an imminently hazardous situation which, if not avoided, will result in death or serious injury.*

### **⚠ WARNING**

*Warning indicates*

*a potentially hazardous situation which, if not avoided, COULD result in death or serious injury.*

### **⚠ CAUTION**

*Caution indicates*

*a potentially hazardous situation which, if not avoided, MAY result in minor or moderate injury.*

**NOTE:** Note means any additional information pertaining to the product or its proper usage.

### CALIFORNIA PROPOSITION 65

### **⚠ WARNING**

*This product*

*or its power cord may contain chemicals known to the State of California to cause cancer and birth defects or other reproductive harm. Wash hands after handling.*

### **⚠ WARNING**

*Always keep a fire extinguisher accessible while performing arc welding operations.*



- Before starting or servicing any electric arc welder, read and understand all instructions. Failure to follow safety precautions or instructions can cause equipment damage and/or serious personal injury or death.
- All installation, maintenance, repair and operation of this equipment should be performed by qualified persons only in accordance with national, state, and local codes.



### **⚠ WARNING**

*Improper use of electric arc welders can cause electric shock, injury, and death! Take all precautions described in this manual to reduce the possibility of electric shock.*



- Verify all components of the arc welder are clean and in good condition prior to operating welder. Be sure insulation on all cables,

torch and power cord is not damaged. Always repair or replace damaged components before operating the welder. Always keep welder panels, shields, etc. in place when operating welder.

- Always wear dry, protective clothing, welding gloves and insulated footwear when operating unit.
- Always operate welder in a clean, dry, well ventilated area. Do not operate welder in humid, wet, rainy or poorly ventilated areas.
- Be sure work piece is properly supported and grounded prior to beginning any electric arc welding operation.
- Spread out coiled welding cable before use to avoid overheating and damage to insulation.

### **⚠ DANGER**

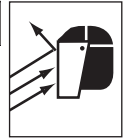
*Never immerse*

*wire or torch in water. If welder becomes wet for any reason, be absolutely certain it is completely clean and dry before use!*

- Always shut equipment off and unplug power cord prior to moving the unit.
- Always attach the work lead first.
- Verify work piece is securely grounded.
- Always shut off electric arc welding equipment when not in use and cut off any excess wire from torch.
- Never allow any part of the body to touch welding wire and ground or grounded work piece at the same time.
- Awkward welding conditions and positions can be electrically hazardous. When crouching, kneeling or at elevations, be sure to insulate all conductive parts, wear appropriate protective clothing and take precautions to prevent injury from falls.
- Never attempt to use this equipment at current settings or duty cycles higher than specified on equipment labels.
- Never use an electric arc welder to thaw frozen pipes.

### **⚠ WARNING**

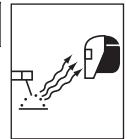
*Flying sparks and hot metal can cause injury. As welds cool, slag can be thrown off. Take all precautions described in this manual to reduce the possibility of injury from flying sparks and hot metal.*



- Wear ANSI approved face shield or safety glasses with side shield protection when chipping or grinding metal parts.
- Wear ear plugs when welding overhead to prevent spatter or slag from falling into ears.

### **⚠ WARNING**

*Electric arc welding operations produce intense light and heat and ultraviolet (UV) rays. This intense light and UV rays can cause injury to eyes and skin. Take all precautions described in this manual to reduce the possibility of injury to eyes and skin.*



- All persons operating this equipment or in the area while equipment is in use, must wear protective welding gear including: welding helmet or shield with at least shade 10 lens, flame resistant clothing, leather welding gloves and full foot protection.

### **⚠ WARNING**

*Never look at*

*arc welding operations without eye protection as described above. Never use a shade filter lens that is cracked, broken, or rated below number 10. Warn others in the area not to look at the arc.*

### **⚠ WARNING**

*Electric arc welding operations cause sparks and heat metal to temperatures that can cause severe burns! Use protective gloves and clothing when performing any metal working operation. Take all precautions described in this manual to reduce the possibility of skin and clothing burns.*



- Make sure all persons in welding area are protected from heat, sparks and ultraviolet rays. Use additional face shields and flame resistant barriers as needed.
- Never touch work pieces until completely cooled.

## General Safety (Continued)

### ⚠ WARNING

Heat and sparks produced during electric arc welding and other metal working operations can ignite flammable and explosive materials! Take all precautions described in this manual to reduce the possibility of flames and explosions.



- Remove all flammable materials within 35 feet (10.7 meters) of welding arc. If removal is not possible, tightly cover flammable materials with fire proof covers.
- Do not operate any electric arc welder in areas where flammable or explosive vapors may be present.
- Take precautions to ensure flying sparks and heat do not cause flames in hidden areas, cracks, etc.

### ⚠ WARNING

Fire hazard! Do not weld on containers or pipes that contain or have contained flammable materials or gaseous or liquid combustibles.



### ⚠ WARNING

Arc welding closed cylinders or containers such as tanks or drums can cause explosion if not properly vented! Verify that any cylinder or container to be welded has an adequate ventilation hole, so that expanding gases can be released.



### ⚠ WARNING

Do not breathe fumes produced by arc welding operation. These fumes are dangerous. If welding area cannot be adequately ventilated, be sure to use an air-supplied respirator.

- Keep head and face out of welding fumes.
- **Extremely toxic fumes are created when galvanized or cadmium plated metals or metals which contain zinc, mercury or beryllium are heated.** Complete the following precautions before performing electric arc welding operations on these metals:
  - a. Remove coating from base metal.
  - b. Make sure welding area is well ventilated.
  - c. Use an air-supplied respirator.

### ⚠ WARNING

The electromagnetic field generated during arc welding may interfere with the operation of various electrical and electronic devices such as cardiac pacemakers. Persons using such devices should consult with their physician prior to performing any electric arc welding operations.



- Route torch and work cables together and secure with tape when possible.
- Never wrap arc welder cables around the body.
- Always position torch and work leads on the same side of the body.
- Exposure to electromagnetic fields during welding may have other health effects which are not known.

### CALIFORNIA PROPOSITION 65

### ⚠ DANGER

This product, when used for welding, produces fumes or gases which contain chemicals known to the State of California to cause birth defects (or other reproductive harm) and, in some cases, cancer (California Health & Safety Code Section 25249.5 et seq.).



### ⚠ WARNING

The power cord and other cables on this product contain chemicals, including lead, known to the State of California to cause cancer and birth defects or other reproductive harm. Wash hands after handling.



### GENERAL SAFETY

### ⚠ WARNING

Always be sure welding area is secure and free of hazards (sparks, flames, glowing metal or slag) prior to leaving. Be sure equipment is turned off and excess wire is cut off. Be sure cables are loosely coiled and out of the way. Be sure all metal and slag has cooled.



### ⚠ DANGER

Cylinders can explode if damaged. Shielding gas cylinders contain gas under high pressure. If damaged, a cylinder can explode. Since gas cylinders are normally part of the welding process, be sure to treat them carefully.



- Protect compressed gas cylinders from excessive heat, mechanical shocks and arcs.

- Install and secure cylinders in an upright position by chaining them to stationary support or equipment cylinder rack to prevent falling or tipping.
- Keep cylinders away from any welding or other electrical circuits.
- Never allow a welding electrode to touch any cylinder.
- **Use only correct shielding gas cylinders, regulators, hoses and fittings designed for the specific application; maintain all parts properly.**
- Turn face away from valve outlet when opening cylinder valve.
- Keep protective cap in place over valve except when cylinder is in use or connected for use.
- Read and follow instructions on compressed gas cylinders, associated equipment, and CGA publication P-1 listed in Safety Standards.

### ⚠ DANGER

Never use flammable gasses with MIG welders. Only inert or non-flammable gasses such as carbon dioxide, argon, helium or mixtures of one or more of these gasses are suitable for MIG welding.

### ⚠ WARNING

Never lift cylinders off the ground by their valves or caps or with chains or slings.

### ADDITIONAL SAFETY STANDARDS

**ANSI Standard Z49.1** from American Welding Society, 550 N.W. Le June Rd. Miami, FL 33126

#### Safety and Health Standards

OSHA 29 CFR 1910, from Superintendent of Documents, U.S. Government Printing Office, Washington, D.C. 20402

#### National Electrical Code

NFPA Standard 70, from National Fire Protection Association, Batterymarch Park, Quincy, MA 02269

#### Safe Handling of Compressed Gases in Cylinders

CGA Pamphlet P-1, from Compressed Gas Association, 1235 Jefferson Davis Highway, Suite 501, Arlington, VA 22202

#### Code for Safety in Welding and Cutting

CSA Standard W117.2, from Canadian Standards Association, Standards Sales, 178 Rexdale Boulevard, Rexdale, Ontario, Canada M9W 1R3

# Wire Feed Arc Welder

## General Safety (Continued)

### Cutting And Welding Processes

NFPA Standard 51B, from National Fire Protection Association, Batterymarch Park, Quincy, MA 02269

### Safe Practices For Occupational And Educational Eye And Face Protection

ANSI Standard Z87.1, from American National Standards Institute, 1430 Broadway, New York, NY 10018

Refer to Material Safety Data Sheets and manufacturers instructions for metals, wire, coatings and cleaners.

## Installation

### LOCATION

Selecting the proper location can significantly increase performance, reliability and life of the arc welder.

- For best results locate welder in a clean and dry environment. Dust and dirt in the welder retain moisture and increase wear of moving parts.
- Place welder in an area with at least twelve inches (305 mm) of ventilation space at both the front and rear of unit. Keep all obstructions out of this ventilation space.
- Store welding wire in a clean, dry location with low humidity to prevent oxidation.
- Use a properly grounded receptacle for the welder and ensure welder is the only load on power supply circuit. Refer to chart on page 1 for correct circuit capacity.
- Use of an extension cord is not recommended for electric arc welding machines. Voltage drop in the extension cord may significantly degrade performance of the welder.

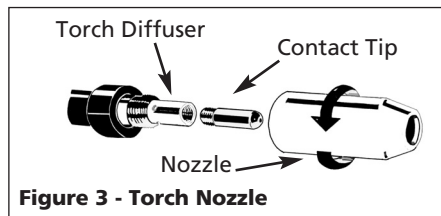
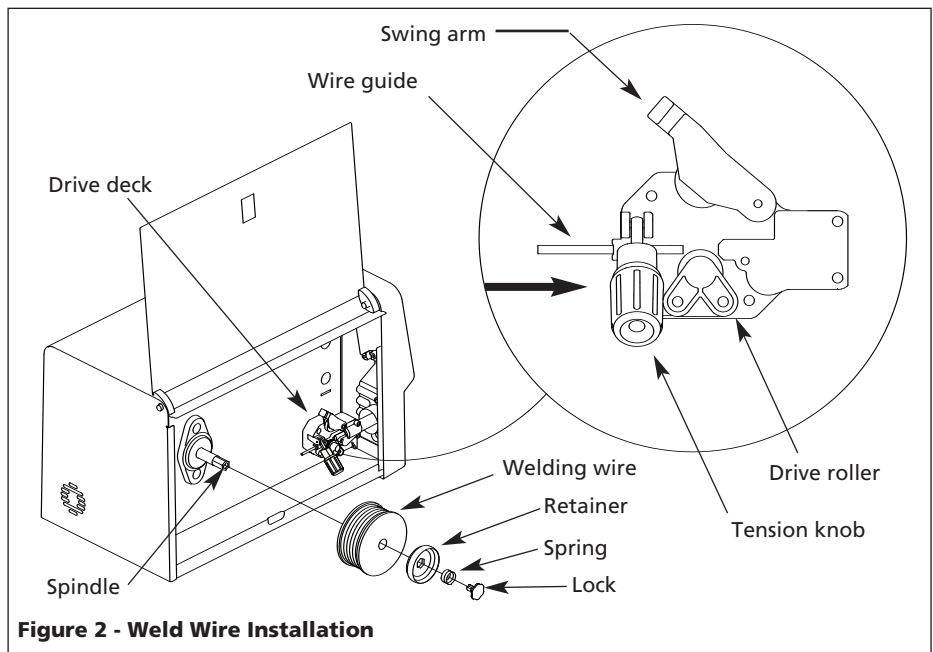
## Assembly

### WIRE INSTALLATION

**NOTE:** Before installing welding wire, be sure:

- a. Diameter of welding wire matches groove in drive roller on wire feed mechanism (See Figure 2).
- b. Wire matches contact tip in end of torch (See Figure 3).

A mismatch on any item could cause the wire to slip and/or bind.



Contact Tip Markings	
Mark	Wire Size
0.6 mm	.024 in.
0.8 mm	.030 in.
0.9 mm	.035 in.

**NOTE:** Always maintain control of loose end of welding wire to prevent unspooling.

1. Verify unit is off and open door panel to expose wire feed mechanism.
2. Remove the spool lock by pushing in and rotating 1/4 turn counterclockwise. Then remove lock, spring and retainer.
3. Flip tensioning knob down and swing arm up on drive mechanism. This allows initial feeding of wire into torch liner by hand.
4. Install wire spool onto spindle so wire can come off bottom of spool. **Do not cut the wire loose yet.** Install retainer, spring and lock by pushing in and turning lock 1/4 rotation clockwise.

5. Hold wire and cut the wire end from spool. **Do not allow wire to unravel.** Be sure end of wire is straight and free of burrs.
6. Feed wire through wire guide, over the groove in drive roller and into torch wire liner. Flip swing arm down and tension knob up. Adjust tension by rotating tension knob.
7. Unscrew nozzle and contact tip from end of welding torch (See Figure 3). Plug welder into a proper power supply receptacle.
8. Turn on welder and set wire speed to 10. Activate torch trigger until wire feeds out past the torch end. **Turn welder off.**
9. Carefully slip contact tip over wire, screw tip into torch end and reinstall nozzle (See Figure 3). Cut wire off approximately 1/4 inch from nozzle end.

### DUTY CYCLE / THERMOSTATIC PROTECTION

Welder duty cycle is the percentage of actual weld time that can occur in a ten minute interval. For example, at a 20% duty cycle, actual welding can occur for two minutes, then the welder must cool for eight minutes.

Internal components of this welder are protected from overheating with an automatic thermal switch. **A red lamp is illuminated on the front panel if the duty cycle is exceeded. Do not switch**



## Assembly (Continued)

**unit off.** This will allow the internal fan to cool the unit quickly. Welding operations may continue when the red lamp is no longer illuminated.

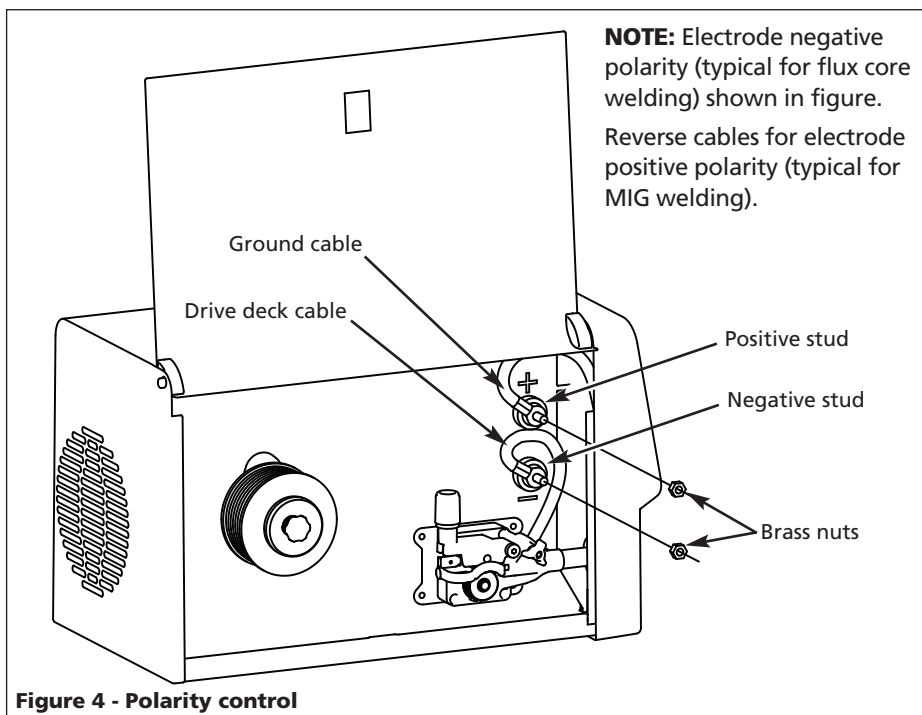
### POLARITY (WG2160 AND WG2164 ONLY)

**MIG welding** wire requires the electrode to be positive.

**Flux welding** wire requires the electrode to be negative. Always use the polarity recommended by the welding wire manufacturer. The welder is factory set for flux welding wire.

To Change Polarity (See Figure 4)

1. Unplug power cord from socket.
2. Open wire feed compartment door.
3. Remove two nuts from polarity studs.
4. Connect cable from drive deck to positive stud and cable from work clamp to negative stud for electrode positive polarity for MIG welding. Connect cable from drive deck to negative stud and cable from work clamp to positive stud for electrode negative polarity for flux core welding.
5. Reinstall two nuts and tighten securely.



**Figure 4 - Polarity control**

### CAUTION

*If the nuts are not tightened properly, excessive heat will be generated by the loose connection and the insulators on the studs will be damaged.*

### Shielding Gas Preparation (WG2160 and WG2164 only)

### DANGER

*Improper handling and maintenance of compressed gas cylinders and regulators can result in serious injury or death! Always secure gas cylinders to a wall or other fixed support to prevent cylinder from falling over. Read, understand and follow all compressed gas and equipment warnings in the safety instructions.*

**NOTE:** Shielding gas is not required if flux-core welding wire is used.

### GAS TYPES

There are 3 types of gas generally used for gas metal arc welding; 100% argon, a mixture of 75% argon and 25% carbon dioxide (C25) or 100% carbon dioxide.

### DANGER

*Use ONLY the type of gas recommended for your welder. Use ONLY an inert, non-flammable type of gas. Failure to do so will result in a very hazardous situation.*

The 75/25 mixture is recommended for general steel welding. For aluminum welding, use 100% argon. Cylinders of either type gas may be obtained at your local welding supply outlet. Secure cylinder to prevent it from falling over.

**Obtaining Correct Gas Type.** The gas used in any welding application for your welder must be an INERT, NON-FLAMMABLE TYPE. You can get the type of gas needed from a nearby welding gas distributor (often found in the yellow pages under "Welders" or "Welding Equipment").

### REGULATOR

A regulator is supplied with the WG2160 and WG2164 only. The regulator provides a constant shielding gas pressure and flow rate during the welding process. Each regulator is designed to be used with a specific gas or mixture of gases. The argon and argon mixture use the same thread type. The 100% carbon dioxide uses a different thread type. An adapter is available at your local welding gas supplier to change between the two.

### HOSE AND REGULATOR HOOKUP PROCEDURE

### WARNING

*Cylinder gas is under high pressure. Point cylinder outlet away from yourself and any bystanders before opening.*

1. With cylinder securely supported, stand on side of cylinder opposite cylinder outlet then remove cylinder cap and open valve **slightly** by turning counterclockwise. When gas is emitted from cylinder, close valve by turning clockwise. This will blow out dust or dirt that may have accumulated around valve seat.
2. Install regulator onto cylinder valve. Tighten stem nut securely to gas valve.
3. Install one end of gas hose to fitting on the back of welder and other end of hose to fitting on regulator. Make sure gas hose is not kinked or twisted.
4. While standing opposite cylinder outlet, slowly open cylinder valve. Inspect for leaks in the connections.
5. Remember to close gas cylinder valve when finished welding.

# Wire Feed Arc Welder

## Operation

1. Be sure to read, understand and comply with all precautions in the General Safety Information section. Be sure to read entire "Welding Guidelines" section before using this equipment.
2. Turn welder off.
3. Verify surfaces of metals to be joined are free from dirt, rust, paint, oil, scale or other contaminants. These contaminants make welding difficult and cause poor welds.



### ⚠WARNING

**All persons operating this equipment or in the area while equipment is in use must wear protective welding gear including: eye protection with proper shade, flame resistant clothing, leather welding gloves and full foot protection.**

### ⚠WARNING

**If heating, welding or cutting galvanized, zinc plated, lead, or cadmium plated materials, refer to the General Safety Information Section for instructions. Extremely toxic fumes are created when these metals are heated.**



4. Connect work clamp to work piece or workbench (if metal). Make sure contact is secure. Avoid surfaces with paint, varnish, corrosion or non-metallic materials.
5. Rotate Wire Speed Control to setting per decal inside wire feed compartment, then adjust as needed after test.
6. Plug power cord into a proper voltage receptacle with proper circuit capacity (see circuit requirements on Page 1).
7. Switch welder on to desired heat setting per decal inside wire feed compartment, then adjust as needed after test.

**NOTE:** These settings are general guidelines only. Heat setting may vary according to welding conditions and materials.

8. Verify wire is extended 1/4 in. from contact tip. If not, squeeze trigger to feed additional wire, release trigger, turn welder off, and cut wire to proper length. Then, switch back on to desired heat setting.

**NOTE:** The welder transformer is off and will not energize until the trigger is pulled. This is a "cold torch" welding machine and it will not weld until the trigger is pulled.

9. Position torch near work piece, lower welding helmet by nodding head or positioning the hand shield, and squeeze torch trigger. Adjust heat setting and wire speed as needed.
10. When finished welding, turn welder off and store properly.

## Maintenance

### ⚠WARNING

**Disconnect power supply and turn machine off before inspecting or servicing any components. Keep wire compartment cover closed at all times unless wire needs to be changed.**

#### BEFORE EVERY USE:

1. Check condition of weld cables and immediately repair or replace any cables with damaged insulation.
2. Check condition of power cord and immediately repair or replace any cord if damaged.
3. Inspect the condition of the torch contact tip and nozzle. Remove any weld slag. Replace torch contact tip or nozzle if damaged.

### ⚠WARNING

**Do not operate**

**this welding machine with cracked or missing insulation on welding cables, torch or power cord.**

#### EVERY 3 MONTHS:

1. Replace any unreadable safety labels on the welder.
2. Use compressed air to blow all dust and lint from ventilation openings.
3. Clean wire groove on drive roller. Remove drive roller and use a small wire brush to clean. Replace if worn or damaged.

#### Consumable and Wear Parts

The following parts require replacement:

- Wire feed drive roller
- Torch liner
- Nozzle/contact tips
- Wire - This welder will accept either 4 in. or 8 in. diameter spools. Flux-Cored welding wire is susceptible to moisture and oxidizes over time, so it is important to select a spool size that will be used within approximately 6

## Supply Cable Replacement

1. Verify that welder is OFF and power cord disconnected.
2. Remove welder side panel to expose switches.
3. Disconnect the power cord leads per the diagram inside the unit.
4. Disconnect the ground wire connected to welder base.
5. Loosen the cord strain relief screws and pull cord out of strain relief.
6. Install new cord in reverse order per the diagram inside the unit.

months. For mild steel welding, AWS ER70S6 solid wire or AWS E71T-GS Flux-Cored wire is recommended.

#### CHANGING WIRE SIZES

This welder is setup for .030 in. (0.8 mm) wire. If a different wire size is used, the wire feed drive roller and contact tip may need changing. There are two grooves in the drive roller. The small groove is for .024 in. (0.6 mm) MIG wire and the large groove is for .030 - .035 in. (0.8 - 0.9 mm) flux core and MIG wire. Rotate the tension knob down and swing arm up. Remove roller support by removing two screws and flip the drive roller to choose the correct groove. The contact tip should also match the wire diameter used. The tip diameter is marked on the contact tip in inches and/or millimeters.

## Welding Guidelines

### General

The WF2150 and WF2154 can utilize the Flux Cored Arc Welding (FCAW) process. The WG2160 and WG2164 can utilize the Flux Cored Arc Welding (FCAW) process or the Gas Metal Arc Welding (GMAW) process. The weld must be protected (shielded) from contaminants in the air while it is molten. The FCAW process uses a tubular wire with a flux material inside. The flux creates a shielding gas when melted. The GMAW process uses inert gas to shield the weld while molten.

When current is produced by a transformer (welding machine) and flows through the circuit to the weld wire, an arc is formed between the end of the weld wire and the work piece. This arc melts the wire and the work piece. The melted metal of the weld wire flows into the molten crater and forms a bond with the work piece as shown (Figure 5).

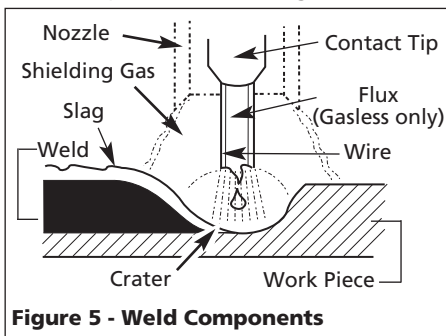


Figure 5 - Weld Components

### Arc Welding Basics

Six basic techniques affect weld quality. These are: wire selection, heat setting, weld angle, wire speed, travel speed, and electrode extension. An understanding of these techniques is necessary for effective welds.

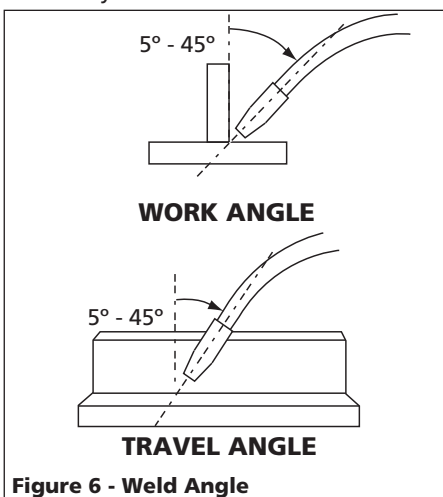


Figure 6 - Weld Angle

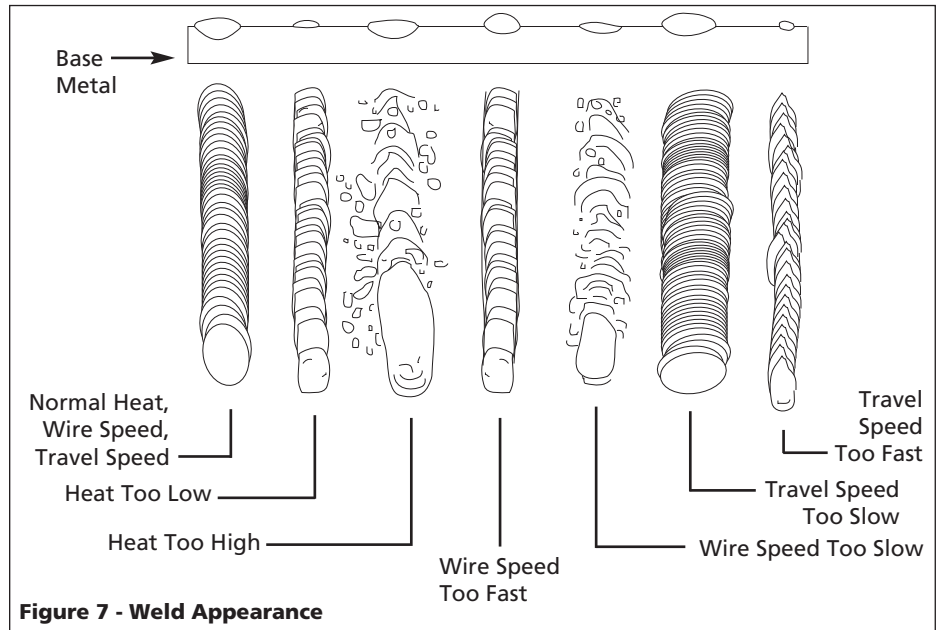


Figure 7 - Weld Appearance

### HEAT SETTING

The correct heat involves the adjustment of the welding machine to the required setting. Heat or voltage is regulated by a switch on the welder. The heat setting used depends on the size (diameter) and type of wire, position of the weld, and the thickness of the work piece. Consult specifications listed on the welder. It is suggested that the welder practice with scrap metal to adjust settings, and compare welds with Figure 7.

### WIRE TYPE AND SIZE

The correct choice of wire type involves a variety of factors, such as welding position, work piece material type, thickness, and condition of surface to be welded. The American Welding Society, AWS, has set up certain requirements for each type of wire.

### FLUX-CORED WIRE

#### E - 7 0 T - GS

- Weld strength, times 10,000 pounds per square inch
- Welding positions (0 for flat or horizontal, 1 for any position)
- Tubular flux-cored wire
- Flux type

AWS E71T-GS or E71T-11 is recommended for this welder.

### SOLID WIRE

#### ER - 70 S - 6

- Weld strength, times 1,000 PSI
- Solid wire
- Wire composition

ER-70S6 is recommended for this welder.

### WELD ANGLE

Weld angle is the angle at which the nozzle is held during the welding process. Using the correct angle ensures proper penetration and bead formation. As different welding positions and weld joints become necessary, nozzle angle becomes an increasingly important factor in obtaining a satisfactory weld. Weld angle involves two positions - travel angle and work angle.

Travel angle is the angle in the line of welding and may vary from 5° to 45° from the vertical, depending on welding conditions.

Work angle is the angle from horizontal, measured at right angles to the line of welding. For most applications, a 45° travel angle and 45° work angle is sufficient. For specific applications, consult an arc welding handbook.

# Wire Feed Arc Welder

## Welding Guidelines (Continued)

### WIRE SPEED

The wire speed is controlled by the knob on the front panel. The speed needs to be “tuned” to the rate at which the wire is being melted in the arc. Tuning is one of the most critical functions of wire feed welding. Tuning should be performed on a scrap piece of metal the same type and thickness as that to be welded. Begin welding with one hand “dragging” the torch nozzle across the scrap piece while adjusting the wire speed with the other hand. Too slow of speed will cause sputtering and the wire will burn up into the contact tip. Too fast a speed will also cause a sputtering sound and the wire will push into the plate before melting. A smooth buzzing sound indicates the wire speed is properly tuned. Repeat the tuning procedure each time there is a change in heat setting, wire diameter or type, or work piece material type or thickness. For Aluminum, wire speed is typically set higher (7-9 speed range).

### TRAVEL SPEED

The travel speed is the rate at which the torch is moved across the weld area. Factors such as diameter and type of weld wire, amperage, position, and work piece material thickness all affect the speed of travel necessary for completing a good weld (See Figure 7). When the speed is too fast, the bead is narrow and bead ripples are pointed as shown. When the speed is too slow, the weld metal piles up and the bead is high and wide. For Aluminum, travel speed is typically faster.

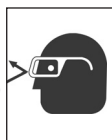
### ELECTRODE EXTENSION

Electrode extension (or electrode stick-out) is the distance between the end of the contact tip and the end of the welding wire. The recommended electrode extension is from 1/4 to 1/2 in (6 to 13 mm). If the electrode extension is too long, welding current will be reduced and the bead will be high and narrow with less penetration.

### SLAG REMOVAL (FLUX-CORED WIRE ONLY)

#### ⚠ WARNING

Wear ANSI approved safety glasses (ANSI Standard Z87.1) and protective clothing when removing slag. Hot, flying debris can cause personal injury to anyone in the area.



After completing the weld, wait for the welded sections to cool. A protective coating called slag now covers the weld bead which prevents contaminants in the air from reacting with the molten metal. Once the weld cools to the point that it is no longer glowing red, the slag can be removed. Removal is done with a chipping hammer. Lightly tap the slag with the hammer and break it loose from the weld bead. The final clean-up is done with a wire brush. When making multiple weld passes, remove the slag before each pass.

### WELDING POSITIONS

Four basic welding positions can be used; flat, horizontal, vertical, and overhead. Welding in the flat position is easier than any of the others because welding speed can be increased, the molten metal has less tendency to run, better penetration can be achieved, and the work is less fatiguing. Welding is performed with the wire at a 45° travel angle and 45° work angle.

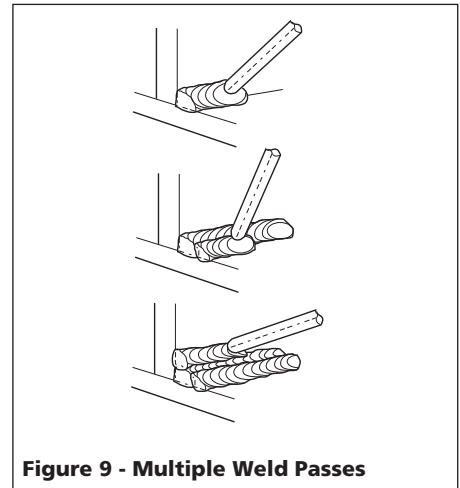
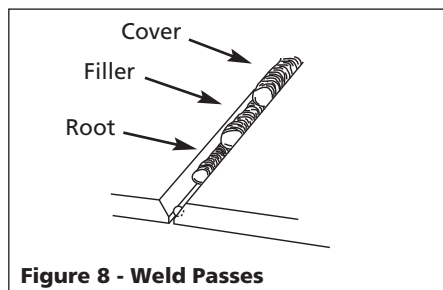
Other positions require different techniques such as a weaving pass, circular pass, and jogging. A higher skill level is required to complete these welds.

Overhead welding is the least desirable position as it is the most difficult and dangerous. Heat setting and wire selection will vary depending upon the position.

All work should be performed in the flat position if possible. For specific applications, consult an arc welding technical manual.

### WELD PASSES

Sometimes more than one pass is necessary to fill the joint. The root pass is first, followed by filler passes and the cover pass. If the pieces are thick, it may be necessary to bevel the edges that are joined at a 60° angle. Remember to remove the slag before each pass for the FCAW process.

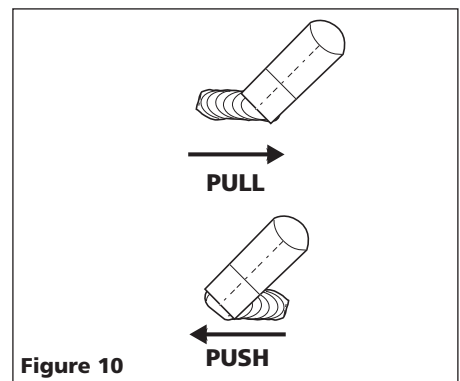


### ALUMINUM WELDING

Any aluminum surface to be welded, must be cleaned thoroughly with a stainless steel brush to eliminate any oxidation on the **weld** and **grounding** surface. 100% Argon shielding gas **must** be used when welding aluminum. If 100% Argon is not used, metal penetration is unlikely. A PTFE wire liner, smooth-groove drive roller and aluminum contact tips are recommended when welding aluminum. Campbell Hausfeld offers these parts in Kit WT2531. Call 1-800-746-5641 to order.

### PUSH VS PULL TECHNIQUE

The type and thickness of the work piece dictates which way to point the torch nozzle. For thin materials (18 gauge and smaller) and all aluminum, the nozzle should point out in front of the weld puddle and **push** the puddle across the workpiece. For thicker steel, the nozzle should point into the puddle to increase weld penetration. This is called backhand or **pull** technique (See Figure 10).





## For Information About This Product Call 1-800-746-5641

### Troubleshooting Chart - Welder

Symptom	Possible Cause(s)	Corrective Action
No output	<ol style="list-style-type: none"> <li>1. Duty cycle exceeded</li> <li>2. Poor work clamp connection</li> <li>3. Blown breaker or fuse</li> </ol>	<ol style="list-style-type: none"> <li>1. Allow welder to cool until lamp goes out</li> <li>2. Be sure all connections are secure, and attaching surface is clean</li> <li>3. Reduce circuit load, reset breaker or replace fuse</li> </ol>
Wire tangles at drive roller	<ol style="list-style-type: none"> <li>1. Wrong size contact tip</li> <li>2. Torch liner clogged or damaged</li> <li>3. Contact tip clogged or damaged</li> <li>4. Drive roller worn</li> <li>5. Not enough tension</li> </ol>	<ol style="list-style-type: none"> <li>1. Use proper size contact tip</li> <li>2. Clean or replace wire liner</li> <li>3. Clean or replace contact tip</li> <li>4. Replace</li> <li>5. Tighten tension knob</li> </ol>
Gun nozzle arcs to work surface	<ol style="list-style-type: none"> <li>1. Slag inside gun nozzle</li> <li>2. Insulation ring melted/expired</li> </ol>	<ol style="list-style-type: none"> <li>1. Clean slag from gun nozzle</li> <li>2. Replace nozzle</li> </ol>
Work clamp and/or cable gets hot	<ol style="list-style-type: none"> <li>1. Poor contact</li> <li>2. Using an extension cord with excessive length</li> </ol>	<ol style="list-style-type: none"> <li>1. Be sure all connections are secure, and attaching surface is clean</li> <li>2. Never use an extension cord longer than 20 ft</li> </ol>
Wire does not feed	<ol style="list-style-type: none"> <li>1. Wire jammed</li> <li>2. Out of wire</li> <li>3. Not enough tension</li> <li>4. Wire liner worn</li> <li>5. Wire disconnected internally</li> <li>6. Contact tip clogged</li> </ol>	<ol style="list-style-type: none"> <li>1. Reload wire</li> <li>2. Replace wire spool</li> <li>3. Tighten tension knob if wire is slipping</li> <li>4. Replace liner</li> <li>5. Call 1-800-746-5641 for assistance</li> <li>6. Replace contact tip</li> </ol>
(Aluminum) Wire burns back into tip or (Aluminum) Metal bubbles or burns through	<ol style="list-style-type: none"> <li>1. Wire speed too slow</li> <li>2. Travel speed too slow or heat is too high</li> </ol>	<ol style="list-style-type: none"> <li>1. Run speed in 7 - 10 range</li> <li>2. Increase the travel speed or reduce heat settings</li> </ol>
Weld pops and sputters	<ol style="list-style-type: none"> <li>1. Wire speed setting</li> <li>2. Contact tip size too large</li> <li>3. Polarity set incorrectly</li> <li>4. Drive roller slipping</li> <li>5. Gas bottle empty</li> </ol>	<ol style="list-style-type: none"> <li>1. Tune in correct setting (1-5 mild steel; 5-10 aluminum)</li> <li>2. Replace contact tip</li> <li>3. Reverse polarity</li> <li>4. Increase tension</li> <li>5. Replace gas bottle</li> </ol>
Bead is intermittently too thin	<ol style="list-style-type: none"> <li>1. Inconsistent travel speed</li> <li>2. Output heat setting too low</li> </ol>	<ol style="list-style-type: none"> <li>1. Decrease and maintain constant travel speed</li> <li>2. Increase output heat setting</li> </ol>
Bead is intermittently too thick	<ol style="list-style-type: none"> <li>1. Slow and/or inconsistent travel speed</li> <li>2. Output heat setting too high</li> </ol>	<ol style="list-style-type: none"> <li>1. Increase and maintain travel speed</li> <li>2. Reduce output heat setting</li> </ol>
Ragged depressions at edge of weld	<ol style="list-style-type: none"> <li>1. Travel speed too fast</li> <li>2. Wire speed too fast</li> <li>3. Output heat setting too high</li> </ol>	<ol style="list-style-type: none"> <li>1. Decrease travel speed</li> <li>2. Decrease wire speed</li> <li>3. Reduce output heat setting</li> </ol>
Weld bead does not penetrate base metal	<ol style="list-style-type: none"> <li>1. Inconsistent travel speed</li> <li>2. Output heat setting too low</li> <li>3. No or low shielding gas</li> <li>4. Wrong shielding gas (aluminum)</li> <li>5. Extension cord is too long</li> <li>6. (Aluminum) Possible oxide build-up on surface</li> </ol>	<ol style="list-style-type: none"> <li>1. Decrease and maintain constant travel speed</li> <li>2. Increase output heat setting</li> <li>3. Use gas for MIG process or refill bottle</li> <li>4. Use only 100% Argon gas</li> <li>5. Never use an extension cord longer than 20 ft</li> <li>6. Clean surface thoroughly with a stainless steel brush only</li> </ol>
Wire sputters and sticks	<ol style="list-style-type: none"> <li>1. Damp wire</li> <li>2. Wire speed too fast</li> <li>3. Wrong type of wire</li> <li>4. No or low shielding gas</li> </ol>	<ol style="list-style-type: none"> <li>1. Use dry wire and store in dry location</li> <li>2. Reduce wire speed</li> <li>3. Use flux-cored wire when not using gas</li> <li>4. Use gas for MIG process or refill bottle</li> </ol>

# Wire Feed Arc Welder

**For replacement parts  
or technical assistance,  
call 1-800-746-5641.**

Please provide following information:

- Model number
- Serial number
- Part description and number as shown in parts list

Address any correspondence to:

Campbell Hausfeld  
Attn: Customer Service  
100 Production Drive  
Harrison, OH 45030 U.S.A.

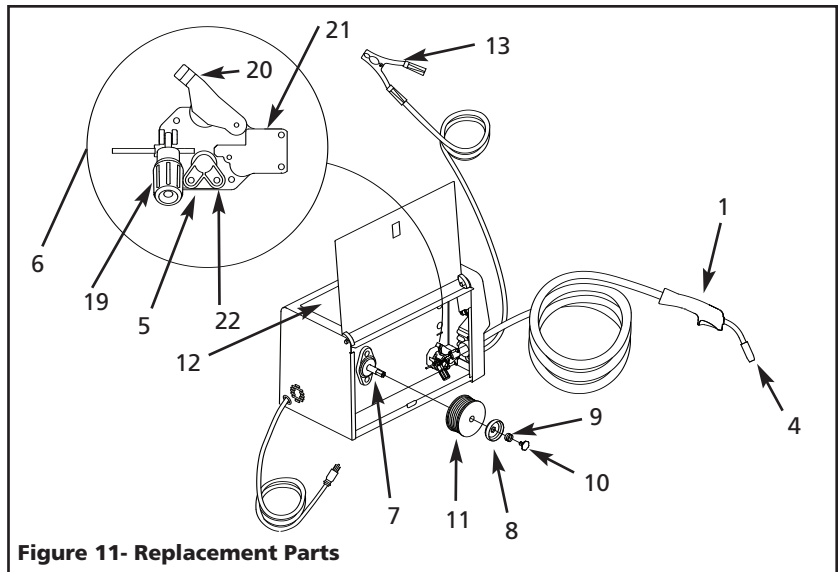


Figure 11- Replacement Parts

## Replacement Parts List - Models WF2150, WF2154, WG2160 and WG2164

Ref. No.	Description	Part Number	Qty	Ref. No.	Description	Part Number	Qty
1	Torch (Flux Core, 8 ft, WF2150 and WF2154)	WC601510AJ	1		MIG Weld Wire – 0.024 in. (0.6 mm)	WE301500AV	†
	Torch (MIG, 8 ft, WG2160 and WG2164)	WC601520AJ	1		11 lb. Spool (ER70S6)	WE300501AV	†
2	▲ Wire Liner – 0.024 in. - 0.035 in.	WC403620AJ	1		MIG Weld Wire – 0.030 in. (0.8 mm)	WE302000AV	†
3	▲ Contact Tip – 0.024 in. (0.6 mm)	WT501200AV	1		11 lb. Spool (ER70S6)	WE301001AV	†
	▲ Contact Tip – 0.030 in. (0.8 mm)	WT501300AV	1		MIG Weld Wire – 0.035 in. (0.9 mm)	WE302500AV	†
	▲ Contact Tip – 0.035 in. (0.9 mm)	WT501400AV	1		2 lb. Spool (ER70S6)	WE303001AV	†
	▲ Optional Contact Tip – 0.024 in. (0.6 mm) 4 Pack	WT501200AJ	†		MIG Weld Wire – 0.035 in. (0.9 mm)	WE303001AV	†
	▲ Optional Contact Tip – 0.030 in. (0.8 mm) 4 Pack	WT501300AJ	†		Aluminum MIG Welding Wire – 0.030 in. (0.8 mm), 1 lb. Spool	WE303001AV	†
	▲ Optional Contact Tip – 0.035 in. (0.9 mm) 4 Pack	WT501400AJ	†	12	Safety Decal	DK689105AV	1
4	Nozzle	WT502100AV	1	13	Work Clamp	WC100300AV	1
5	Drive Roller – 0.024 in. - 0.035 in. (0.6 - 0.9 mm)	WC500805AV	1	14	▲ Gas Hose (WG2160 and WG2164 only)	*	1
6	Drive Deck Assembly	WC500800AJ	1	15	▲ Regulator (WG2160 and WG2164 only)	WC803500AV	1
7	Spool Spindle	WC707570AV	1	16	▲ Optional Welding Helmet	WT100500AV	†
8	Spool Retainer	WC707023AV	1	17	▲ Optional Aluminum Welding Kit [Includes PTFE Wire liner, U-groove drive roller for 0.030 in. (0.8 mm) aluminum wire and four 0.030 in. (0.8 mm) contact tips for aluminum wire] (WG2160 and WG2164 only)	WT253100AV	†
9	Spool Spring	WC707026AV	1	18	▲ Handle Assembly	WC707405AJ	†
10	Spool Lock	WC707024AV	1	19	WC WC500800AJ DD Tensioner kit	WC500850AV	
11	Flux Weld Wire – 0.030 in. (0.8 mm) 2 lb. Spool (E71T-GS)	WE200001AV	†	20	WG WC500800AJ DD Arm kit	WC500840AV	
	Flux Weld Wire – 0.030 in. (0.8 mm) 10 lb. Spool (E71T-GS)	WE201000AV	†	21	Retainer torch kit	WC500824AV	
	Flux Weld Wire – 0.035 in. (0.9 mm) 2 lb. Spool (E71T-GS)	WE200501AV	†	22	Support wheel spindle	WC500823AV	
	Flux Weld Wire – 0.035 in. (0.9 mm) 10 lb. Spool (E71T-GS)	WE201500AV	†	23	▲ Knob heat selector	WC707370AV	
	MIG Weld Wire – 0.024 in. (0.6 mm) 2 lb. Spool (ER70S6)	WE300001AV	†	24	▲ CAM On Off heat knob	WC707390AV	

▲ Not Shown

† Optional Accessory

\* Standard Hardware Item

## Glossary of Welding Terms

**AC or Alternating Current** - electric current that reverses direction periodically. Sixty cycle current travels in both directions sixty times per second.

**Arc Length** - the distance from the end of the electrode to the point where the arc makes contact with the work surface.

**Base Metal** - the material to be welded.

**Butt Joint** - a joint between two members aligned approximately in the same plane.

**Crater** - a pool, or pocket, that is formed as the arc comes in contact with the base metal.

**DC or Direct Current** - electric current which flows only in one direction. The polarity (+ or -) determines which direction the current is flowing.

**DC Reverse Polarity** - occurs when the electrode holder is connected to the positive pole of the welding machine. Reverse Polarity directs more heat into melting the electrode rather than the work piece. It is used on thinner material.

**DC Straight Polarity** - occurs when the electrode holder is connected to the negative pole of the welding machine. With straight polarity more heat is directed to the work piece for better penetration on thicker material.

**Electrode** - a coated metal wire having approximately the same composition as the material being welded.

**Fillet Weld** - approximately a triangle in cross-section, joining two surfaces at right angles to each other in a lap, T or corner joint.

**Flux** - a coating, when heated, that produces a shielding gas around the welding area. This gas protects the parent and filler metals from impurities in the air.

**Flux Cored Arc Welding (FCAW)** - also called Gasless, is a welding process used with a wire-feed welding machine. The weld wire is tubular with flux material contained inside for shielding.

**Gas Metal Arc Welding (GMAW)** - also called MIG, is a welding process used with a wire feed welding machine. The wire is solid and an inert gas is used for shielding.

**Gas Tungsten Arc Welding (GTAW)** - also called TIG, is a welding process used with welding equipment with a high frequency generator. The arc is created between a non-consumable tungsten electrode and the work piece. Filler metal may or may not be used.

**Lap Joint** - a joint between two overlapping members in parallel planes.

**Open Circuit Voltage (OCV)** - the voltage between the electrode and the work clamp of the welding machine when no current is flowing (not welding). The OCV determines how quickly the arc is struck.

**Overlap** - occurs when the amperage is set too low. In this instance, the molten metal falls from the electrode without actually fusing into the base metal.

**Porosity** - gas pockets, or cavities, formed during weld solidification. They weaken the weld.

**Penetration** - the depth into the work piece that has been heat effected by the arc during the welding process. A good weld achieves 100% penetration meaning that the entire thickness of the work piece has been heated and resolidified. The heat effected area should be easily seen on the opposite side of the weld.

**Shielded Metal Arc Welding (SMAW)** - also called Stick, is a welding process with uses a consumable electrode to support the arc. Shielding is achieved by the melting of the flux coating on the electrode.

**Slag** - a layer of flux soot that protects the weld from oxides and other contaminants while the weld is solidifying (cooling). Slag should be removed after weld has cooled.

**Spatter** - metal particles thrown from the weld which cool and harden on the work surface. Spatter can be minimized by using a spatter resistant spray on the work piece before welding.

**Tack Weld** - weld made to hold parts in proper alignment until final welds are made.

**Travel Angle** - the angle of the electrode in the line of welding. It varies from 5° to 45° depending on welding conditions.

**T Joint** - made by placing the edge of one piece of metal on the surface of the other piece at approximately a 90° angle.

**Undercut** - a condition that results when welding amperage is too high. The excessive amperage leaves a groove in the base metal along both sides of the bead which reduces the strength of the weld.

**Weld Pool or Puddle** - a volume of molten metal in a weld prior to its solidification as weld metal.

**Weld Bead** - a narrow layer or layers of metal deposited on the base metal as the electrode melts. Weld bead width is typically twice the diameter of the electrode.

**Work Angle** - the angle of the electrode from horizontal, measured at right angles to the line of welding.

## Limited Warranty

- 1. Duration:** The manufacturer warrants that it will repair, at no charge for parts or labor, the Welder, Welding Gun, or Cables, proven defective in material or workmanship, during the following time period(s) after date of original retail purchase:  
For 5 Years: The Welder Transformer and Rectifier  
For 3 Years: The Entire Welder (excluding clamps, welding gun, electrode holder, cables, or accessories packed with welder)  
For 90 Days: The Welding Clamps, MIG Gun, Electrode Holder, Accessories, and Welding Cables (as applicable)
- 2. Who Gives This Warranty (Warrantor):**  
Campbell Hausfeld, a Scott Fetzer Company  
100 Production Drive  
Harrison, OH 45030 U.S.A.  
Telephone: 1-800-746-5641
- 3. Who Receives This Warranty (Purchaser):** The original purchaser of the Campbell Hausfeld product.
- 4. What is covered under this warranty:** Defects in material and workmanship which occur within the duration of the warranty period. This warranty extends to the Welder, the Welders Transformer and Rectifier, Welding Gun or Electrode Holder, and cables only.
- 5. What is not covered under this warranty:**
  - A. Implied warranties, including those of merchantability and FITNESS FOR A PARTICULAR PURPOSE ARE LIMITED IN DURATION TO THIS EXPRESS WARRANTY. After this period, all risks of loss, from whatever reason, shall be on the purchaser. Some states do not allow limitations on how long an implied warranty lasts, so above limitations may not apply to you.
  - B. ANY INCIDENTAL, INDIRECT, OR CONSEQUENTIAL LOSS, DAMAGE, OR EXPENSE THAT MAY RESULT FROM ANY DEFECT FAILURE OR MALFUNCTION OF THE Maxus PRODUCT. Some states do not allow limitations on how long an implied warranty lasts, so above limitations may not apply to you.
  - C. This warranty does not apply to any accessory items included with the product which are subject to wear from usage; the repair or replacement of these items shall be at the expense of the owner. These MIG items include but are not limited to; Contact Tips, Nozzles, Gun Liners, Drive Rollers, Felt Wire Cleaner. In addition, this warranty does not extend to any damage caused by the untimely replacement or maintenance of any of the previously listed CONSUMABLE parts.
  - D. Any failure that results from accident, purchaser's abuse, neglect or failure to operate products in accordance with instructions provided in the owner's manual(s) supplied with the product.
  - E. Pre-delivery service, i.e. assembly and adjustment.
- 6. Responsibilities of Warrantor under this warranty:** Repair or replace, at Warrantor's option, products or components which have failed within duration of the warranty period.
- 7. Responsibilities of purchaser under this warranty:**
  - A. Please call 1-800-746-5641 for warranty assistance.
  - B. Provide dated proof of purchase and maintenance records.
  - C. All welders must be delivered or shipped to the nearest Campbell Hausfeld Authorized Service Center. Freight costs, if any, must be borne by the purchaser.
  - D. Use reasonable care in the operation and maintenance of the products as described in the owner's manual(s).
- 8. When Warrantor will perform repair or replacement under this warranty:** Repair or replacement will be scheduled and serviced according to the normal work flow at the servicing location, and depending on the availability of replacement parts.

This Limited Warranty gives you specific legal rights and you may also have other rights which vary from state to state.



S'il vous plaît lire et conserver ces instructions. Lire attentivement avant de monter, installer, utiliser ou de procéder à l'entretien du produit décrit. Se protéger ainsi que les autres en observant toutes les instructions de sécurité, sinon, il y a risque de blessure et/ou dégâts matériels ! Conserver ces instructions comme référence.



**CAMPBELL  
HAUSFELD®**

# Soudeur À L'Arc Alimenté En Fil

## Description

Ces soudeuses à fil Campbell Hausfeld sont conçues pour travailler sur un circuit normal de 120 V. Le soudeur est doté d'un contrôle de vitesse de fil continu pour choisir avec exactitude la bonne vitesse d'alimentation du fil pour les diverses conditions de soudage.

Les pièces internes sont protégées par un thermostat. Le modèle WF2150 et WF2154 sont conçu pour être utilisé avec le procès de soudure à l'arc avec fil fourré (FCAW). Le modèle WG2160 et WG2164 sont conçu pour être utilisé avec le procès de soudure à l'arc avec fil fourré (FCAW) ou de soudure à l'arc sous protection gazeuse (GMAW). À sa livraison de l'usine, ce soudeur peut souder avec un fil fourré de 0,8 mm (0,030 po) de diamètre. Une bobine de démarrage

de fil fourré de 0,8 mm (0,030 po) est incluse.

Pour utiliser le processus de soudage à l'arc sous protection gazeuse avec le WG2160 et WG2164, il faut acheter seulement un gaz de protection et un fil MIG.

## Déballage

Lors du déballage, l'examiner soigneusement pour rechercher toute trace de dommage susceptible de s'être produit en cours de transport. Assurer que tous raccords, vis, etc., soient serrés avant de mettre ce produit en service.

**Rapportez tout article manquant ou endommagé en composant le 1-800-746-5641.**

## EXIGENCES DE CIRCUIT

### ⚠ ATTENTION

**Cet équipement doit avoir un circuit réservé de 120. Se reporter au tableau suivant pour le disjoncteur ou la valeur de fusible appropriés pour les modèles à 120 volts. Ne pas faire fonctionner d'autres appareils, lampes ou outils sur ce circuit pendant l'utilisation de cet équipement. Les cordons prolongateurs ne sont pas recommandés. Ne pas suivre ces recommandations peut résulter en fusibles sautés et disjoncteurs déclenchés.**

## PIÈCES DÉTACHÉES ET CONTRÔLES (FIGURE 1)

1. Pince de soudeur - s'attache à l'objet de travail.
2. Chalumeau à buse de 0,08 cm (0,030 po)
3. Cordon d'alimentation - brancher dans une prise de 120.
4. Voyant- le voyant s'active si le thermostat éteint automatiquement le soudeur
5. Contrôle de vitesse de fil infini - tourne dans le sens horaire pour augmenter la vitesse et dans le sens antihoraire pour diminuer la vitesse du fil.
6. Sélecteur arrêt/chaueur - Choisit le courant de soudure et met l'appareil en marche. Quatre choix possibles : 1 - 2 - 3 - 4.

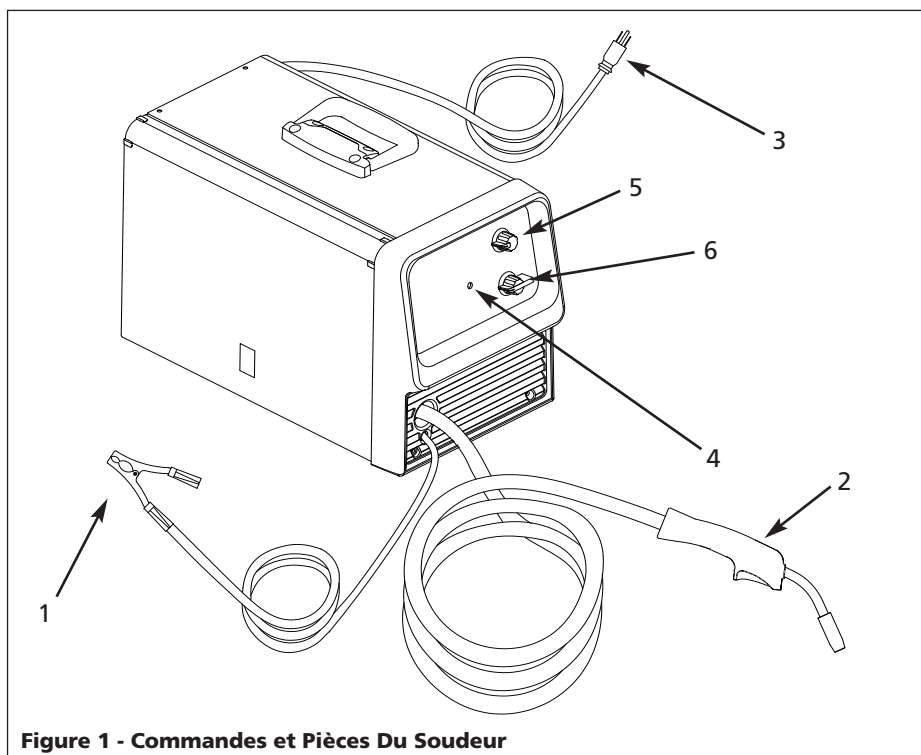


Figure 1 - Commandes et Pièces Du Soudeur

Sélecteur de Chaleur	Disjoncteur ou Fusée à Retardement pour Modèles de 120-V c.a.	
1-2-3	15 amp	
4	20 amp	

Se référer à la page 22 pour les instructions de remplacement du cordon d'alimentation.

**MÉMENTO: Gardez votre preuve datée d'achat à fin de la garantie!  
Joignez-la à ce manuel ou classez-la dans un dossier pour plus de sécurité.**

## Généralités sur la Sécurité

### **⚠ DANGER**

*Danger indique*

*une situation hasardeuse imminente qui RÉSULTERA en perte de vie ou blessures graves.*

### **⚠ AVERTISSEMENT**

*Avertissement indique une situation hasardeuse potentielle qui PEUT résulter en perte de vie ou blessures graves.*

### **⚠ ATTENTION**

*Attention indique une situation hasardeuse potentielle qui PEUT résulter en blessures.*

**REMARQUE:** Remarque indique : des renseignements additionnels concernant le produit ou son utilisation.

### **⚠ AVERTISSEMENT**

*Toujours avoir un extincteur d'incendie disponible pendant le soudage à l'arc.*



- Lire et comprendre toutes les instructions avant de mettre en marche ou de procéder à l'entretien d'un soudeur à l'arc électrique. Ne pas suivre les précautions et les instructions peut causer le dommage à l'équipement et/ou blessures personnelles graves ou la mort.
- Toute installation, entretien, réparation et utilisation de cet équipement doivent être effectués par les personnes qualifiées conformément aux codes nationaux, provinciaux et locaux.



### **⚠ AVERTISSEMENT**

*L'utilisation incorrecte des soudeurs à l'arc électriques peut avoir comme résultat, secousse électrique, blessure, et perte de vie ! Suivre toutes les précautions indiquées dans ce manuel afin de réduire le risque de secousse électrique.*



- Vérifier que toutes les pièces du soudeur à l'arc soient propres et en bon état avant de l'utiliser. S'assurer que l'isolant de tous les câbles, du chalumeau et du cordon d'alimentation n'est pas endommagé. Toujours réparer ou remplacer les pièces détachées endommagées avant d'utiliser le

soudeur. Toujours garder les panneaux, les écrans de soudage, etc. en place pendant le fonctionnement du soudeur.

- Toujours porter des vêtements protecteurs et gants de soudage secs, ainsi que des chaussures isolantes.
- Toujours faire fonctionner le soudeur dans un endroit propre, sec et bien ventilé. Ne pas faire fonctionner le soudeur dans un endroit humide, trempé, pluvieux, ou mal-ventilé.
- S'assurer que l'objet sur lequel vous travaillez soit bien fixé et mis à la terre correctement avant de commencer votre soudage à l'arc électrique .
- Le câble de soudage roulé devrait être étendu avant l'utilisation afin d'éviter le surchauffage et le dommage à l'isolation.

### **⚠ DANGER**

*Ne jamais plonger le*

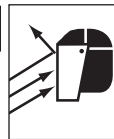
*fil ou le chalumeau dans l'eau. Si le soudeur devient trempé, il est nécessaire qu'il soit complètement sec et propre avant l'utilisation!*

- Toujours mettre l'équipement hors circuit et le débrancher avant de le déplacer.
- Toujours brancher le conducteur de travail en premier lieu.
- Vérifier que l'objet sur lequel vous travaillez soit mis à la terre correctement.
- Toujours éteindre l'équipement de soudure à l'arc électrique lorsqu'il n'est pas utilisé et couper tout surplus de fil du chalumeau.
- Ne jamais laisser toute partie du corps toucher le fil de soudure, la masse ou la pièce de travail mise à la terre en même temps.
- Les conditions et positions de soudage difficiles peuvent poser des risques électriques. Si vous êtes accroupis, à genoux ou aux élévations, s'assurer que toutes les pièces conductrices soient isolées. Porter des vêtements protecteurs convenables et prendre ses précautions contre les chutes.
- Ne jamais essayer d'utiliser cet équipement aux réglages de courant ni aux facteurs d'utilisation supérieurs à ceux indiqués sur les étiquettes de l'équipement.

- Ne jamais utiliser de soudeur à l'arc électrique pour dégeler les tuyaux congelés.

### **⚠ AVERTISSEMENT**

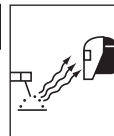
*Les étincelles volantes et le métal chaud peuvent causer des blessures. La scorie peut s'échapper quand les soudures se refroidissent. Prenez toutes précautions indiquées dans ce manuel pour réduire la possibilité de blessure par les étincelles volantes et le métal chaud.*



- Porter un masque de soudure ou des lunettes de sécurité avec écrans protecteurs approuvés par ANSI pendant le burinage ou l'ébarbage des pièces en métal.
- Utiliser des protège-tympons pour le soudage aérien afin d'éviter que la scorie ou la bavure tombe dans vos oreilles.

### **⚠ AVERTISSEMENT**

*Le soudage à l'arc électrique produit une lumière intense, la chaleur et les rayons ultraviolets (UV). Cette lumière intense et ces rayons UV peuvent causer des blessures aux yeux et à la peau. Prenez toutes précautions indiquées dans ce manuel afin de réduire la possibilité des blessures aux yeux et à la peau.*



- Toutes personnes qui utilisent cet équipement ou qui sont dans l'endroit pendant l'utilisation de l'équipement doivent porter des vêtements de soudage protecteurs y compris : un masque ou un casque de soudeur ou un écran avec un filtre numéro 10 (au moins), des vêtements incombustibles, des gants de soudeur en cuir, et la protection complète pour les pieds.

### **⚠ AVERTISSEMENT**

*Ne jamais observer le soudage à l'arc sans la protection pour les yeux telle qu'indiquée ci-dessus. Ne jamais utiliser une lentille filtrante qui est fendue, cassée ou classifiée moins que le numéro 10. Avertir les autres personnes sur place de ne pas observer l'arc.*

## Généralités sur la Sécurité (Suite)

### ⚠ AVERTISSEMENT

La soudage à l'arc électrique produit des étincelles et chauffe le métal aux températures qui peuvent causer des brûlures graves! Utiliser des gants et des vêtements protecteurs pendant n'importe quel travail de métal. Prenez toutes précautions indiquées dans ce manuel afin de réduire la possibilité de brûlures de peau ou de vêtements.



- S'assurer que toutes personnes dans l'endroit de soudage soient protégées contre la chaleur, les étincelles et les rayons ultraviolets. Utiliser des écrans de visage additionnels et des écrans coupe-feu si nécessaire.
- Ne jamais toucher les objets de travail avant qu'ils soient complètement refroidis.

### ⚠ AVERTISSEMENT

La chaleur et les étincelles qui sont produites pendant le soudage à l'arc électrique et autres travaux de métal peuvent allumer les matériaux inflammables et explosifs! Prenez toutes les précautions indiquées dans ce manuel afin de réduire la possibilité de flammes et d'explosions.



- Enlever tous les matériaux inflammables à moins de 35 pieds (10,7 m) de l'arc de soudage. Si l'enlèvement n'est pas possible, bien couvrir les matériaux inflammables avec des couvertures incombustibles.
- Ne pas utiliser un soudeur à l'arc électrique dans les endroits qui contiennent des vapeurs inflammables ou explosifs.
- Prenez précaution pour assurer que les étincelles volantes et la chaleur ne produisent pas de flammes dans des endroits cachés, fentes, etc.

### ⚠ AVERTISSEMENT

Risque d'incendie! Ne pas souder les récipients ni les tuyaux qui contiennent ou qui ont contenus des matériaux inflammables ou combustibles gazeux ou liquides.

### ⚠ AVERTISSEMENT

Le soudage à l'arc des bouteilles ou des récipients fermés tels que les réservoirs ou bidons, peuvent causer une explosion s'ils ne sont pas bien ventilés! Vérifier qu'il y a un trou de ventilation suffisant dans n'importe quel bouteille ou récipient afin de permettre la ventilation des gaz pendant l'expansion.



### ⚠ AVERTISSEMENT

Ne pas inspirer les vapeurs qui sont produites par le soudage à l'arc. Ces vapeurs sont dangereuses. Utiliser un respirateur fourni d'air si l'endroit de soudage n'est pas bien ventilé.



- Garder la tête et le visage hors des vapeurs de soudage.
- Des vapeurs extrêmement toxiques sont produites pendant le chauffage des métaux galvanisés, plaqués de cadmium, ou des métaux qui contiennent le zinc, le mercure, ou le beryllium. Compléter les précautions suivantes avant d'exécuter le soudage à l'arc électrique sur ces métaux:
  - a. Enlever l'enduit du métal commun.
  - b. S'assurer que l'endroit de soudage soit bien ventilé.
  - c. Utiliser un respirateur fourni d'air.

### ⚠ AVERTISSEMENT

Le champ électromagnétique qui est produit pendant le soudage à l'arc peut causer de l'interférence avec le fonctionnement de plusieurs appareils électriques tels que les pacemakers cardiaques. Toutes personnes utilisant ces appareils doivent consulter leur médecin avant d'exécuter le soudage à l'arc électrique.



- Acheminer les câbles de chalumeau et de travail ensemble et fixer avec du ruban si possible.
- Ne jamais envelopper les câbles de soudage à l'arc autour du corps.
- Toujours placer le chalumeau et les fils de travail du même côté du corps.
- L'exposition aux champs électromagnétiques peut avoir autres réactions inconnues concernant la santé.

### PROPOSITION 65 CALIFORNIE

### ⚠ DANGER

Ce produit, utilisé pour la soudure, produit des vapeurs ou gaz qui contiennent des produits chimiques prouvés par l'État de Californie de provoquer des défauts de naissance (ou autre tort aux organes de la reproduction), et en quelques circonstances, le cancer. (le code 'California Health & Safety Code Section 25249.5 et seq'.).



### ⚠ AVERTISSEMENT

Ce produit et son cordon contient du plomb, un produit chimique qui de l'avis de l'État de Californie peut causer le cancer et des anomalies congénitales ou d'autres problèmes

pour la reproduction. Se laver les mains après toute manipulation.

## GÉNÉRALITÉS SUR LA SÉCURITÉ

### ⚠ AVERTISSEMENT

Avant de laisser l'endroit, s'assurer que l'endroit de soudage est en état sûr et sans risques (étincelles, flammes, métal chauffé au rouge, ou scorie). S'assurer que l'équipement soit hors circuit et que l'excès de fil soit taillé. S'assurer que les câbles soient roulés (sans serrer) et hors du chemin. S'assurer que tout métal et scorie soient refroidis.



### ⚠ DANGER

Les bouteilles peuvent exploser si elles sont endommagées. Les bouteilles de gaz de protection contiennent du gaz sous haute pression. Si elles sont endommagées, elles peuvent exploser. Puisque les bouteilles de gaz font normalement partie du processus de soudure, s'assurer de les manipuler avec soin.



- Protéger les bouteilles de gaz comprimé contre la chaleur excessive, les chocs mécaniques et les arcs.
- Installer et fixer les bouteilles dans une position verticale en utilisant une chaîne sur un support stationnaire ou un support de bouteille afin d'éviter le renversement ou le basculement.
- Garder les bouteilles à l'écart du soudage ou autres circuits électriques.
- Ne jamais permettre que l'électrode de soudage touche une bouteille.
- Utiliser seulement les bouteilles de gaz correctes; régulateurs, tuyaux et raccords conçus pour votre application et les tenir en bon état de marche.
- Tourner le visage à l'écart de la soupape d'échappement en ouvrant la soupape de la bouteille.
- Garder le capuchon protecteur en place sur la soupape sauf si la bouteille est soi en service ou brancher pour le service.
- Lire et suivre les instructions pour les bouteilles de gaz et autre équipement, ainsi que la publication CGA, P-1 indiquée dans les Normes de Sécurité.

### ⚠ DANGER

Ne jamais utiliser les gaz inflammables avec les soudeurs MIG. Seuls les gaz inertes ou ininflammables tels que le bioxyde de carbone, l'argon, le helium ou un mélange d'un ou plus de ces gaz sont convenables pour le soudage MIG.

# Soudeur à l'Arc Alimenté en Fil

## Généralités sur la Sécurité (suite)

### **AVERTISSEMENT** *Ne jamais soulever*

les bouteilles par leurs soupapes, capuchons ni avec les chaînes ou élingues.

#### NORMES DE SÉCURITÉ ADDITIONNELLES

**Normes ANSI Standard Z49.1** de la Société American Welding Society, 550 N.W. Le June Rd. Miami, FL 33126

#### Normes de Sécurité et de Santé

OSHA 29 CFR 1910, du Superintendent of Documents, U.S. Government Printing Office, Washington, D.C. 20402

#### Code Électrique National

Norme NFPA 70, de l'Association National Fire Protection Association, Batterymarch Park, Quincy, MA 02269

#### Manipulation Sûr des Bouteilles de Gaz Comprimé

Brochure CGA P-1, de l'Association Compressed Gas Association, 1235 Jefferson Davis Highway, Suite 501, Arlington, VA 22202

#### Code pour la Sécurité concernant le Soudage et le Coupage

Norme CSA W117.2, de l'Association Canadian Standards Association, Standards Sales, 178 Rexdale Boulevard, Rexdale, Ontario, Canada M9W 1R3

#### Procédés de Coupage et Soudage

Norme NFPA 51B, de l'Association National Fire Protection Association, Batterymarch Park, Quincy, MA 02269

#### Règlements Professionnels et d'Éducation de Sécurité pour la Protection des Yeux et du Visage

Norme ANSI Z87.1, de l'Institut American National Standards Institute, 1430 Broadway, New York, NY 10018

Se référer aux Données de Sécurité (Material Safety Data Sheets) et les instructions des fabricants pour les métaux, les fils, les enduits et les produits pour le nettoyage.

## Installation

### ENDROIT

La sélection de l'endroit correct peut améliorer de façon spectaculaire, le rendement, la fiabilité, et la durée du soudeur à l'arc.

- Pour un meilleur résultat, situer le soudeur dans un endroit propre et sec. La poussière et la saleté dans le soudeur conservent l'humidité et augmentent l'usure des pièces mobiles.
- Placer le soudeur dans un endroit avec au moins douze pouces (305 mm) d'espace pour la ventilation en avant et en arrière du

modèle. Garder cet espace libre d'obstructions.

- Ranger le fil de soudage dans un endroit propre et sec à faible humidité pour éviter l'oxydation.
- Utiliser une prise de courant mise à la terre correctement pour le soudeur, et s'assurer que le soudeur soit le seul appareil de charge sur le circuit d'alimentation. Se référer au tableau sur la page 1 pour la capacité correcte du circuit.
- L'utilisation d'un cordon prolongateur n'est pas recommandé pour les soudeurs à l'arc électriques. Une perte de tension dans le cordon prolongateur peut diminuer de façon spectaculaire, le rendement du soudeur.

## Montage

### INSTALLATION DE FILS

**REMARQUE:** Avant d'installer le fil à soudage, s'assurer que:

- a. Le diamètre du fil de soudure s'agence à la rainure du rouleau entraîneur sur le mécanisme d'alimentation du fil (voir figure 2).
- b. Le fil s'agence à la pointe de contact sur l'extrémité du chalumeau (voir figure 3).

Un mauvais agencement de tout article pourrait faire glisser et/ou gripper le fil.

**REMARQUE :** Toujours maintenir le contrôle de l'extrémité libre du fil de soudure pour éviter le débobinage.

1. Vérifier que le modèle soit hors circuit (OFF) et ouvrir le panneau sur

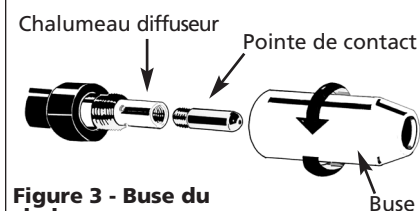


Figure 3 - Buse du chalumeau

### Marques De Pointe De Contact

Marque	Taille de fil
0,6 mm	0,024 po
0,8 mm	0,030 po
0,9 mm	0,035 po

le soudeur afin d'exposer le mécanisme d'alimentation de fil.

2. Retirez le dispositif de verrouillage de la bobine en poussant vers l'intérieur et en tournant dans le sens antihoraire d'un quart de tour. Retirer ensuite le verrou, le ressort et le dispositif de retenue.
3. Rabattre le bouton de tensionnement et relever le bras du mécanisme d'entraînement. Ceci permet l'acheminement initial du fil dans la doublure du chalumeau à la main.
4. Installer la bobine de fil sur la broche pour que le fil puisse sortir au bas de la bobine. **Ne pas couper le fil desserré encore.** Installer le dispositif de retenue de la bobine, le ressort et le verrou en poussant vers

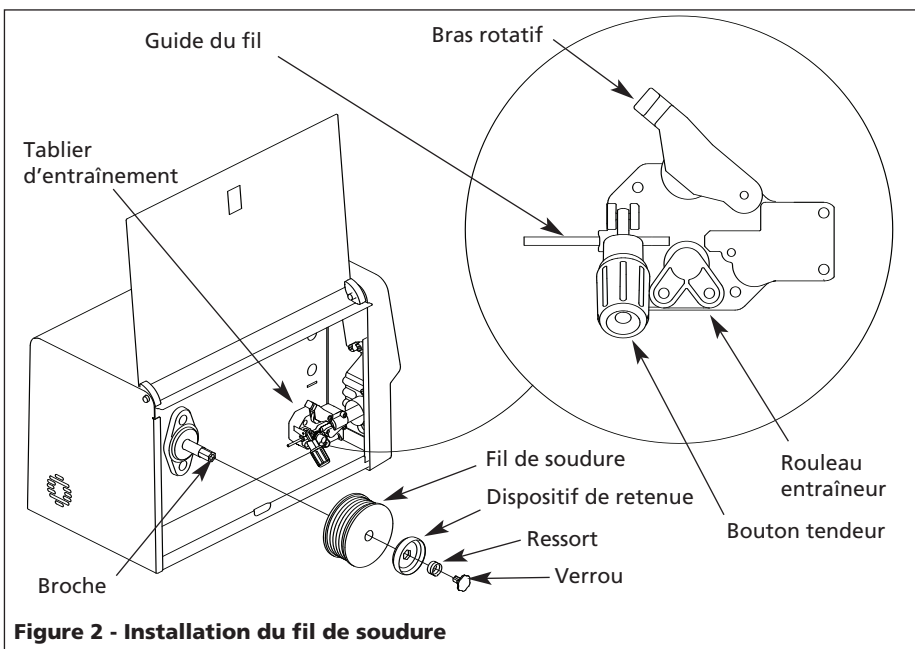


Figure 2 - Installation du fil de soudage



## Montage (suite)

- l'intérieur et en tournant dans le sens horaire d'un quart de tour.
5. Tenir le fil et couper le fil du bout de la bobine. **Ne pas permettre que le fil se démêle.** S'assurer que le bout du fil soit droit et sans ébarbures.
  6. Faire passer le fil dans le guide de fil, sur la rainure du rouleau d'entraînement et dans la chemise de fil du chalumeau. Rabattre le bras et relever le bouton de tensionnement. Ajuster la tension en tournant le bouton de tensionnement.
  7. Dévisser l'embout et la pointe de contact de l'extrémité du chalumeau de soudure (voir figure 3). Brancher le soudeur dans une bonne prise d'alimentation de courant.
  8. Mettre le soudeur en marche et régler la vitesse du fil à 10. Activer la gâchette du chalumeau jusqu'à ce que le fil dépasse l'extrémité du chalumeau.

### Mettre le soudeur hors circuit.

9. Glisser avec soin la pointe de contact sur le fil, visser la pointe dans le chalumeau et réinstaller l'embout (voir figure 3). Couper le fil à environ 1/4 po (0,635 cm) de l'extrémité de la buse.

### FACTEUR D'UTILISATION/PROTECTION THERMOSTATIQUE

Le facteur d'utilisation de soudage est le pourcentage du temps de soudage actuel qui peut se faire dans un interval de dix minutes. Par exemple, à un cycle de service de 20 %, la soudure réelle se fait pendant deux minutes, puis le soudeur doit refroidir pendant huit minutes.

Les composants internes de ce soudeur sont protégés de toute surchauffe par un interrupteur thermique automatique. **Un voyant rouge s'allume sur le panneau avant si le cycle de service est dépassé. Ne pas éteindre l'appareil.** Ceci permettra au ventilateur interne de refroidir rapidement l'appareil. Les opérations de soudure peuvent continuer lorsque le voyant rouge n'est plus allumé.

### POLARITÉ (SEULEMENT WG2160 ET WG2164)

Le fil de soudure MIG exige une polarité électrique d'électrode positive.

Le fil de soudure fourré exige une polarité électrique d'électrode négative. Toujours utiliser la polarité recommandée par le fabricant du fil de soudure.

Le soudeur est réglé en usine pour un fil de soudure fourré.

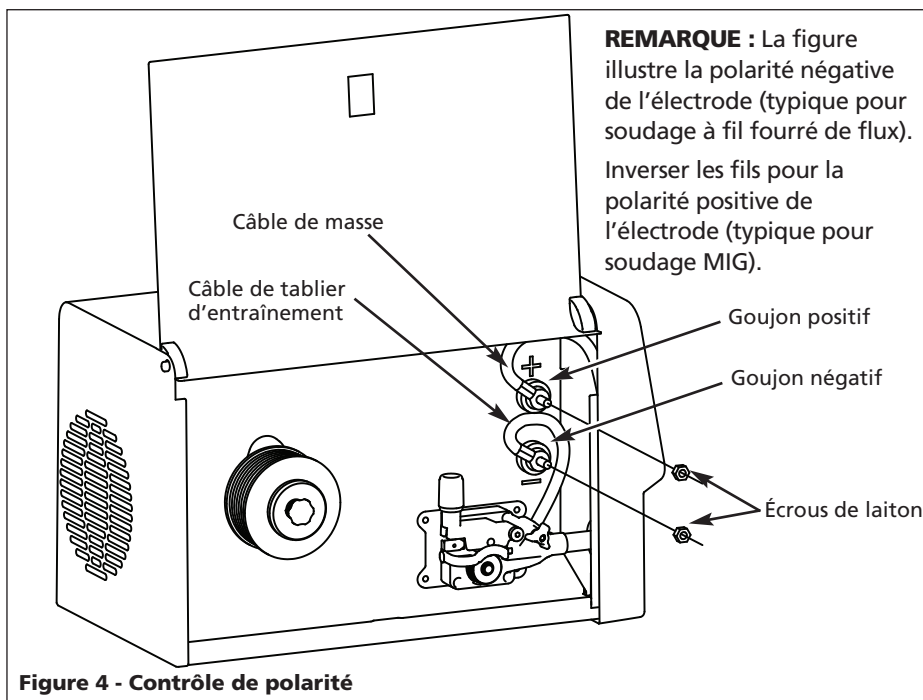


Figure 4 - Contrôle de polarité

Pour changer la polarité (voir la figure 4)

1. Débrancher le cordon d'alimentation de la prise.
2. Ouvrir la porte du compartiment d'acheminement du fil.
3. Retirer deux écrous des goujons de polarité.
4. Brancher le câble du tablier d'entraînement au goujon positif et le câble de la pince de travail au goujon négatif de la polarité positive de l'électrode pour la soudure MIG. Brancher le câble du tablier d'entraînement au goujon négatif et le câble de la pince de travail au goujon positif de la polarité négative de l'électrode pour la soudure à fil fourré.
5. Réinstaller les deux écrous et bien resserrer.

### ⚠ ATTENTION

*Si les écrous ne sont pas bien resserrés, cela pourrait provoquer une chaleur excessive de la connexion desserrée et les isolateurs des goujons seront endommagés.*

### Préparation Pour Le Gaz Protecteur (SEULEMENT WG2160 ET WG2164)

### ⚠ DANGER

*La manipulation et l'entretien incorrect des bouteilles de gaz comprimé et des régulateurs peuvent résulter en blessures graves ou perte de vie! Toujours bien fixer les bouteilles de gaz*

*au mur ou à tout autre support fixe pour éviter qu'elle ne tombe. Lire, comprendre et suivre toutes les avertissements et dans les instructions de sécurité pour le gaz comprimé et l'équipement.*

**REMARQUE:** Le gaz n'est pas nécessaire si le fil fourré de flux est utilisé.

### TYPES DE GAZ

Il y a trois types de gaz populaires pour le soudage à l'arc avec gaz; 100% argon, un mélange de 75% argon et 25% gaz carbonique (C25) ou 100% gaz carbonique.

### ⚠ DANGER

*Utiliser SEULEMENT le type de gaz recommandé pour votre soudeur. Utiliser SEULEMENT un gaz inerte, ininflammable. Le non-respect de ces indications mènera à une situation très dangereuse.*

Pour le soudage d'acier générale, un mélange 75/25 est recommandé Pour le soudage d'aluminium, utiliser 100% argon. Tous types de bouteilles sont disponibles chez votre fournisseur de matériaux de soudage. Fixer la bouteille en place pour éviter qu'elle ne tombe.

**Obtenir le type exact de gaz.** Le gaz utilisé dans toute application de soudure pour votre appareil doit être d'un TYPE INERTE, ININFLAMMABLE. Vous pouvez obtenir le type de gaz nécessaire de tout distributeur local de gaz de soudure (souvent dans les pages

# Soudeur à l'Arc Alimenté en Fil

## Montage (suite)

jaunes sous "Soudeurs" ou "équipement de soudure").

### REGULATOR

Seulement le modèle WG2160 et WG2164 sont équipés avec un régulateur. Le régulateur fournit une pression et un débit constant de gaz pendant le soudage. Chaque régulateur est conçu pour l'utilisation avec un type ou mélange de gaz particulier. L'argon et les mélanges d'argon utilisent le même type de filets. 100% gaz carbonique utilise un différent type de filets. Un adaptateur est disponible chez votre fournisseur de gaz de soudeur pour pouvoir utiliser les deux types.

### PROCÉDURE DE RACCORDEMENT DE TUYAU ET DE RÉGULATEUR

#### ⚠ AVERTISSEMENT

**Les bouteilles de gaz sont sous haute pression. Diriger l'orifice d'échappement à l'écart de soi-même ou d'autres personnes avant de l'ouvrir.**

1. Avec la bouteille bien installée, se tenir sur le côté de la bouteille à l'opposée de la sortie de la bouteille, puis retirer le bouchon et ouvrir la soupape en tournant dans le sens antihoraire. Quand le gaz sort de la bouteille, fermer la soupape en tournant au sens des aiguilles d'une montre. Ceci sert à purger la poussière qui peut s'accumuler autour du siège de la soupape.
2. Installer le régulateur sur le robinet de la bouteille. Bien resserrer l'écrou de la tige sur la soupape de gaz.
3. Installer une extrémité du tuyau de gaz au raccord situé à l'arrière du soudeur et l'autre bout du tuyau au raccord du régulateur. S'assurer que le tuyau ne soit pas tortillé.
4. Se positionner encore au bord opposé de l'orifice de sortie de la bouteille et ouvrir la soupape lentement. Inspecter pour des fuites dans l'endroit des raccordements.
5. N'oubliez pas de fermer la soupape de gaz lorsque vous avez fini de souder.

## Fonctionnement

1. Lire, comprendre et suivre toutes les précautions dans la section Généralités Sur La Sécurité. Lire la section entière de Directives De Soudage avant d'utiliser l'équipement.
2. Mettre le soudeur hors circuit.
3. Vérifier que les surfaces du métal



soient libres de saleté, rouille, peinture, huile, écailles ou autres polluants avant de les souder ensemble. Ces polluants rendent la soudure difficile et peuvent causer de mauvaises soudures.

**⚠ AVERTISSEMENT** *Toutes personnes utilisant cet équipement ou qui sont dans l'endroit pendant l'utilisation de l'équipement doivent porter des vêtements de soudage protecteurs y compris: protection oculaire avec lentille correcte, vêtements incombustibles, gants de soudeur en cuir, et protection complète pour les pieds.*

**⚠ AVERTISSEMENT** *Pour le chauffage, soudage ou coupage des matériaux galvanisés, plaqué en zinc, plomb, ou en cadmium, se référer à la section Généralités Sur La Sécurité pour plus d'instructions. Des vapeurs extrêmement toxiques sont produites pendant le chauffage de ces métaux.*



4. Raccorder la pince de soudeur à l'objet de travail ou à l'établi (si en métal). S'assurer que le contact soit sûr et non-pollué par la peinture, le vernis, la corrosion, ou autres matériaux non-métalliques.
  5. Tourner le contrôle de vitesse de fil au réglage indiqué sur le décalque à l'intérieur du compartiment d'alimentation de fil, puis ajuster au besoin après le test.
  6. Brancher le cordon d'alimentation dans une prise de courant à la bonne tension et à la bonne capacité de circuit (voir les exigences de circuit à la page 15).
  7. Mettre le soudeur en marche au réglage de chaleur indiqué sur le décalque à l'intérieur du compartiment d'alimentation de fil, puis ajuster au besoin après le test.
- REMARQUE:** Ces réglages sont établis comme guides généraux. Les réglages de chaleur sont variables selon les conditions de soudage et le matériel utilisé.
8. Vérifier que le fil sort de 0,635 cm (1/4 po) de la pointe de contact. Sinon, presser la gâchette pour ajouter du fil, dégager la gâchette, éteindre le soudeur et couper le fil à la longueur appropriée. Remettre l'appareil en marche au réglage de chaleur voulu.

**NOTE :** Le transformateur de soudage est hors tension et il ne pourra alimenter tant que la gâchette n'est pas tirée. Il s'agit d'une machine de soudage à « chalumeau

froid » qui ne soudera pas si la gâchette n'est pas tirée.

9. Placer le chalumeau près du travail, abaisser le casque de soudure en hochant la tête ou placer le masque de soudage à main et presser la gâchette du chalumeau. Ajuster le réglage de chaleur et la vitesse du fil au besoin.
10. À la fin de la soudure, éteindre le soudeur et ranger correctement.

## Entretien

#### ⚠ AVERTISSEMENT

**Débrancher et mettre la machine hors circuit avant de vérifier ou de procéder à l'entretien de n'importe quelle pièce détachée. Toujours garder le couvercle du compartiment de fil fermé sauf pendant le changement du fil.**

#### AVANT CHAQUE USAGE:

1. Vérifier la condition des câbles de soudage et réparer ou remplacer immédiatement, les câbles dont l'isolation est endommagée.
2. Vérifier la condition du cordon d'alimentation et le réparer ou le remplacer immédiatement si endommagé.
3. Inspecter la pointe de contact et l'embout du chalumeau. Retirer toutes scories de soudure. Remplacer la pointe de contact ou l'embout du chalumeau si cela est endommagé.

#### ⚠ AVERTISSEMENT *Ne pas faire*

**fonctionner cet appareil de soudure avec un isolant manquant ou fissuré sur les câbles de soudure, le chalumeau ou le cordon d'alimentation.**

#### CHAQUE TROIS MOIS:

1. Remplacer toutes étiquettes de sécurité sur le soudeur qui ne sont pas lisibles.
2. Utiliser de l'air comprimé pour souffler toute la poussière des ouvertures de ventilation.
3. Nettoyer la rainure du fil sur le rouleau entraîneur. Retirer le rouleau entraîneur et utiliser une petite brosse métallique pour nettoyer. Remplacer si usé ou endommagé.

#### Pièces Consommables Et Qu Peuvent S'User

Les pièces suivantes doivent être remplacées :

- Rouleau d'entraînement d'alimentation de fil
- Doublure de chalumeau
- Buse/bouts de contact
- Fil - Ce soudeur acceptera les bobines

## Entretien (suite)

de diamètre 4 po ou 8 po (10,16 ou 20,32 cm). Le fil de soudure est sensible à l'humidité et s'oxyde après quelques temps. Il est important de choisir une taille de bobine qui sera utilisée dans une période de 6 mois. Pour l'acier doux, il est recommandé d'utiliser le fil solide AWS ER70S6 ou le fil fourré de flux AWS E71T-GS.

### CHANGEMENT DE TAILLE DE FILS

Ce soudeur est configuré pour un fil de 0,8 mm (0,030 po). Si l'on utilise une taille de fil différente, le rouleau entraîneur d'acheminement du fil et la

pointe de contact devront peut-être être changés. Il y a deux rainures dans le rouleau entraîneur. La petite rainure est pour le fil MIG de 0,6 mm (0,024 po) et la plus large pour le fil fourré de 0,8 à 0,9 mm (0,030 à 0,035 po) et le fil MIG. Tourner le bouton de tension vers le bas et tourner le bras vers le haut. Retirer le support de rouleau en retirant deux vis, et tourner le rouleau d'entraînement pour sélectionner la bonne rainure. La pointe de contact doit aussi être selon le diamètre de fil utilisé. Le diamètre de la pointe est marquée sur la pointe en pouces et/ou en millimètres.

## Remplacement du câble d'alimentation

1. Vérifier que le soudeur soit hors circuit (OFF) et le cordon d'alimentation soit débranché.
2. Retirer le panneau du côté soudure pour exposer les interrupteurs.
3. Débrancher les fils du cordon d'alimentation selon le diagramme à l'intérieur de l'appareil.
4. Débrancher le fil de masse branché à la base du soudeur.
5. Desserrer les vis du réducteur de tension du cordon et sortir le réducteur.
6. Installer le nouveau cordon dans l'ordre inverse et selon le diagramme à l'intérieur de l'appareil.

## Directives De Soudage

### Généralités

Le modèle WF2150 et WF2154 peut être utilisé avec le procès de soudure à l'arc avec fil fourré (FCAW). Le modèle WG2160 et WG2164 peut être utilisé avec le procès de soudure à l'arc avec fil fourré (FCAW) ou de soudure à l'arc sous protection gazeuse (GMAW). La soudure doit être protégée (enrobée) des contaminants dans l'air tandis qu'elle est en fusion. Le procédé FCAW utilise un fil tubulaire avec un enrobage à l'intérieur. L'enrobage crée un gaz de protection lorsqu'il est fondu. Le procédé GMAW utilise un gaz inerte pour protéger la soudure en fusion.

Quand le courant est produit par un transformateur (machine à souder) et passe à travers du circuit à un fil de soudage, un arc est produit entre le bout du fil à soudage et l'objet de travail. Cet arc fond le fil et l'objet. Le métal fondu du fil à soudage s'écoule dans le cratère fondu et produit un adhérence avec l'objet de travail indiqué ci-dessous (Figure 5).

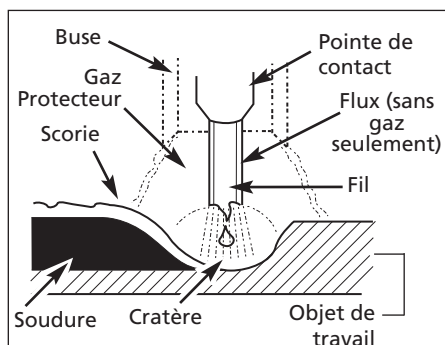


Figure 5 - Parties de soudage

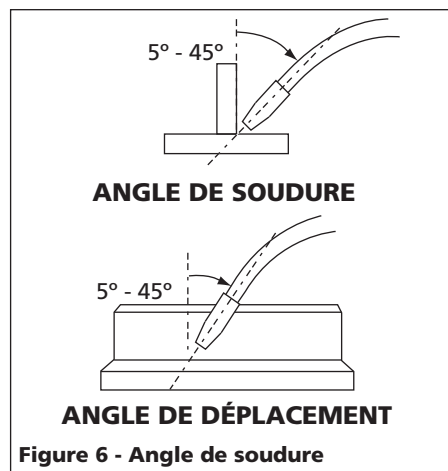


Figure 6 - Angle de soudure

### Principes Du Soudage à L'Arc

Six techniques de base affectent la qualité de soudure. Les voici : sélection du fil, réglage de chaleur, angle de soudure, vitesse du fil, vitesse de déplacement et rallonge d'électrode. La compréhension de ces méthodes est nécessaire afin d'atteindre une soudure efficace.

### RÉGLAGE DE CHALEUR

La chaleur correcte nécessite un ajustement du soudeur au réglage exigé. La chaleur ou la tension est réglée par un interrupteur sur le soudeur. Le réglage de la chaleur utilisé dépend sur la taille (diamètre) et du type de fil, la position de la soudure et l'épaisseur de l'objet. Se référer aux spécifications indiquées sur le soudeur. Il est recommandé que le soudeur se pratique sur des morceaux de métal afin d'ajuster les réglages, et comparer les soudures avec la Figure 7.

### TYPE ET TAILLE DE FILS

Le choix correct du fil comprend une variété de facteurs telles que la position de soudage, le matériel de l'objet de travail, l'épaisseur et la condition de la surface. L'American Welding Society, AWS, a organisé certaines exigences pour chaque type de fil.

### FIL FOURRÉ DE FLUX

#### E - 70 T - GS

- Rigidité de la soudure x 10,000 livres par pouce carrés.
- Positions de soudure (0 pour plate ou horizontale, 1 pour les autres positions)
- Fil fourré en flux tubulaire
- Type de flux

AWS E71T-GS ou E71T-11 sont recommandés pour ce soudeur.

### FIL SOLIDE

#### ER - 70 S - 6

- Rigidité de la soudure x 1,000 PSI
- Fil Solide
- Composition du fil

ER-70S6 est recommandé pour ce soudeur.

### ANGLE DE SOUDURE

L'angle de soudure est l'angle de la buse pendant le soudage. L'utilisation de l'angle correct assure la pénétration et la formation du cordon de soudure exigé. L'angle de soudure est très important pour les positions de soudure différentes afin de produire une bonne soudure. L'angle de soudure comprend deux positions - l'angle de déplacement et l'angle de travail.

L'angle de déplacement est l'angle situé dans la ligne de la soudure et peut varier



# Soudeur à l'Arc Alimenté en Fil

## Directives De Soudage (suite)

entre 5° et 45° du vertical selon les conditions de soudage.

L'angle de travail est l'angle horizontal, mesuré aux angles droits à la ligne de soudage. Pour la plupart des applications, un angle de déplacement de 45° et un angle de travail de 45° sont suffisants. Pour les usages spécifiques, consulter un manuel de soudage à l'arc.

### VITESSE DE FIL

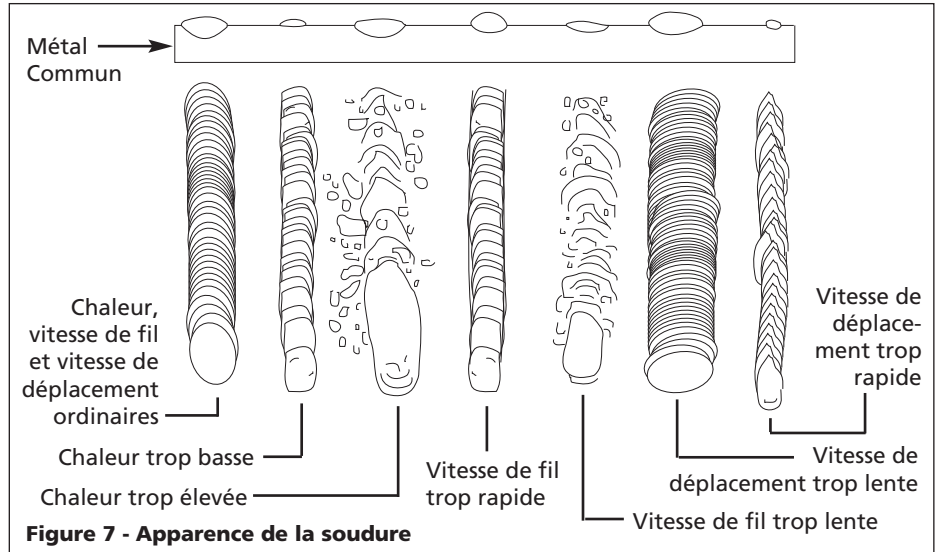
La vitesse de fil est réglée par le bouton sur le panneau supérieur. La vitesse doit être "réglée" selon le taux auquel le fil est fondu dans l'arc. Le réglage est une des fonctions critiques du soudage alimenté en fil. Le réglage devrait être effectué sur un morceau de métal d'essai qui est de même type et d'épaisseur que celui qui doit être soudé. Commencer la soudure d'une main tirant l'embout du chalumeau le long d'une pièce de rebuts tout en ajustant la vitesse du fil de l'autre main. Une vitesse trop lente causera un crachement et le fil se brûlera dans la pointe de contact. Une vitesse trop rapide peut aussi causer un bruit de crachement et le fil s'enfoncera dans la plaque avant de se fondre. Un bruit constant de bourdonnement indique que la vitesse de fil est réglée correctement. Répéter le procédé de réglage chaque fois qu'il y ait un changement de réglage de chaleur, diamètre ou type de fil, type de matériel ou épaisseur de l'objet de travail. Pour l'aluminium, la vitesse du fil est normalement réglée plus haute (gamme de vitesses 7-9).

### VITESSE DE DÉPLACEMENT

La vitesse de déplacement est la vitesse auquel le chalumeau est dirigé le long de la surface de soudage. Le diamètre et le type de fil à soudage, l'ampérage, la position et l'épaisseur de l'objet de travail ont tous un effet sur la vitesse de déplacement et peuvent avoir un effet sur la qualité de la soudure (Voir Figure 7). Lorsque la vitesse est trop rapide, le cordon est étroit et les ondulations du cordon sont pointus comme indiqué. Lorsque la vitesse est trop lente, la soudure se tasse et le cordon est haut et large. Pour l'aluminium, la vitesse du fil est normalement réglée plus haute.

### RALLONGE D'ÉLECTRODE

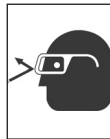
La rallonge d'électrode (ou prolongement d'électrode) est la distance entre l'extrémité de la pointe de contact et l'extrémité du fil de soudure. La rallonge d'électrode recommandée est de 6 à 13 mm (1/4 à 1/2 po). Si elle est trop longue, le courant de soudure sera réduit et le boudin sera haut et étroit avec moins de pénétration.



### ENLEVAGE DE SCORIE (FIL FOURRÉ DE FLUX SEULEMENT)

#### AVERTISSEMENT

Porter des lunettes protectrices approuvées ANSI (Standard ANSI Z87.1) et des vêtements protecteurs pendant l'enlèvement de la scorie. Le débris chaud et volant peut causer des blessures aux personnes dans l'endroit.



Après avoir complété la soudure, attendre que les sections de soudage se refroidissent. Une couche protectrice appelée scorie couvre le cordon de soudure et empêche la réaction du métal fondu avec les polluants dans l'air. La scorie peut être enlevée une fois que la soudure s'est refroidie et n'est plus rouge. Enlever la scorie avec un marteau à buriner. Frapper la scorie légèrement avec le marteau et la dégager du cordon de soudure. Finir avec une brosse métallique. Enlever la scorie avant chacune des passes multiples.

### POSITIONS DE SOUDAGE

Il y a quatre positions générales de soudage; plate, horizontale, verticale et aérienne. Le soudage dans une position plate est la plus facile. La vitesse peut être augmentée, le métal fondu coule moins, une meilleure pénétration est possible et le travail est moins fatiguant. Le soudage est effectué avec le fil à un angle de déplacement de 45° et un angle de travail de 45°. Autres positions exigent autres techniques telles que le tissage, passe circulaire et le jogging. Un niveau de plus grande compétence est exigé pour ces soudures.

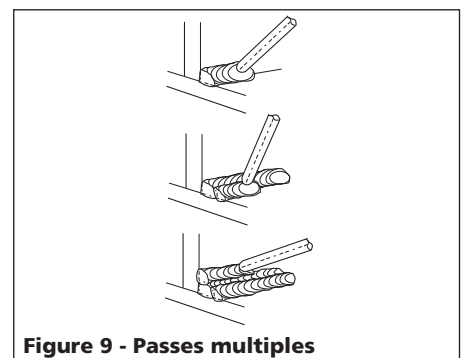
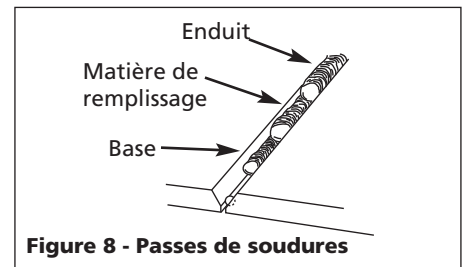
La soudure aérienne est la position plus

difficile et dangereuse. Le réglage de la chaleur et la sélection du fil varient selon la position.

Tout le travail devrait être effectué dans la position plate si possible. Pour les applications spécifiques, consulter un manuel technique de soudage.

### PASSES DE SOUDAGE

Quelques fois il est nécessaire d'utiliser plus d'une passe pour remplir le joint. La première passe est la passe de base, suivie par la passe de remplissage et la passe de finition. Si les pièces sont épaisses, il peut être nécessaire de bisauter les bords qui sont unis à un angle de 60°. Se rappeler d'enlever la scorie avant chaque passe pour le procédé FCAW.







# Soudeur à l'Arc Alimenté en Fil

Pour des informations concernant ce produit, composer 1-800-746-5641

## Guide de Dépannage - Soudeur

Symptôme	Cause(s) Possible(s)	Mesure Corrective
Manque de puissance	<ol style="list-style-type: none"><li>1. Facteur d'utilisation dépassé</li><li>2. Raccord au collier de mise à la terre insuffisant</li><li>3. Disjoncteur ou fusible sauté</li></ol>	<ol style="list-style-type: none"><li>1. Permettre que le soudeur se refroidisse jusqu'à ce que la lampe s'éteigne</li><li>2. S'assurer que tous les raccords soient sûrs et que la surface d'attache soit propre</li><li>3. Réduire la charge sur le circuit, rajuster le disjoncteur ou remplacer le fusible</li></ol>
Le fil s'emmêle au rouleau d'entraînement	<ol style="list-style-type: none"><li>1. Mauvaise taille de pointe de contact</li><li>2. Doublure de chalumeau bloquée ou endommagée</li><li>3. Pointe de contact bloquée ou endommagée</li><li>4. Rouleau entraîneur usé</li><li>5. Tension insuffisante</li></ol>	<ol style="list-style-type: none"><li>1. Utiliser la taille appropriée de pointe de contact</li><li>2. Nettoyer ou remplacer la doublure du fil</li><li>3. Nettoyer ou remplacer la pointe de contact</li><li>4. Remplacer</li><li>5. Resserrer le bouton de tensionnement</li></ol>
La buse du pistolet arc à la surface de travail	<ol style="list-style-type: none"><li>1. Scorie dans la buse du pistolet</li><li>2. Anneau d'isolant fondu/expiré</li></ol>	<ol style="list-style-type: none"><li>1. Nettoyer la scorie de la buse du pistolet</li><li>2. Remplacer la buse</li></ol>
Collier de mise à la terre et/ou le câble deviennent chauds	<ol style="list-style-type: none"><li>1. Raccordement insuffisant</li><li>2. Utilisation d'un cordon prolongateur trop long</li></ol>	<ol style="list-style-type: none"><li>1. S'assurer que tous les raccords soient sûrs et que la surface d'attache soit propre</li><li>2. N'utilisez pas un cordon prolongateur plus que 20 pi de longueur</li></ol>
Le fil ne s'avance pas	<ol style="list-style-type: none"><li>1. Fil étranglé</li><li>2. Plus de fil</li><li>3. Tension insuffisante</li><li>4. Chemise de fil usée</li><li>5. Fil débranché à l'intérieur</li><li>6. Pointe de contact obstruée</li></ol>	<ol style="list-style-type: none"><li>1. Recharger le fil</li><li>2. Remplacer la bobine de fil</li><li>3. Resserrer le bouton de tensionnement si le fil glisse</li><li>4. Remplacer la chemise</li><li>5. Appeler 1-800-746-5641 pour l'assistance</li><li>6. Remplacer la pointe de contact</li></ol>
Le fil (Aluminium) brûle dans la pointe ou le métal (Aluminium) produit des bulles ou brûle à travers	<ol style="list-style-type: none"><li>1. Vitesse de fil trop lente</li><li>2. Vitesse de déplacement trop lente ou chaleur trop élevée</li></ol>	<ol style="list-style-type: none"><li>1. Vitesse de fonctionnement entre 7 - 10</li><li>2. Augmenter la vitesse de déplacement ou diminuer le réglage de chaleur</li></ol>
Soudure crache et colle	<ol style="list-style-type: none"><li>1. Réglage de vitesse du fil</li><li>2. Taille de pointe de contact trop large</li><li>3. Polarité réglée incorrectement</li><li>4. Rouleau entraîneur glisse</li><li>5. Bouteille à gaz vide</li></ol>	<ol style="list-style-type: none"><li>1. Mettre au point au bon réglage</li><li>2. Remplacer la pointe de contact</li><li>3. Inverser la polarité</li><li>4. Augmenter la tension</li><li>5. Remplacer la bouteille à gaz</li></ol>
Cordon de soudure trop mince par intervalles	<ol style="list-style-type: none"><li>1. Vitesse de déplacement rapide et/ou irrégulière</li><li>2. Réglage de chaleur de sortie trop bas</li></ol>	<ol style="list-style-type: none"><li>1. Diminuer et maintenir une vitesse de déplacement constante</li><li>2. Augmenter le réglage de chaleur de sortie</li></ol>
Cordon de soudure trop épais par intervalles	<ol style="list-style-type: none"><li>1. Vitesse de déplacement lente et/ou irrégulière</li><li>2. Réglage de chaleur de sortie trop élevé</li></ol>	<ol style="list-style-type: none"><li>1. Augmenter et maintenir une vitesse de déplacement constante</li><li>2. Diminuer le réglage de chaleur de sortie</li></ol>
Enfoncements en lambeaux au bord de la soudure	<ol style="list-style-type: none"><li>1. Vitesse de déplacement trop rapide</li><li>2. Vitesse de fil trop rapide</li><li>3. Réglage de chaleur de sortie trop élevé</li></ol>	<ol style="list-style-type: none"><li>1. Diminuer la vitesse de déplacement</li><li>2. Diminuer la vitesse de fil</li><li>3. Diminuer le réglage de chaleur de sortie</li></ol>

**Pour des informations concernant ce produit, composer 1-800-746-5641**

## Guide de Dépannage - Soudures

Symptôme	Cause(s) Possible(s)	Mesure Corrective
Le cordon de soudure ne pénètre pas le métal commun	<ol style="list-style-type: none"><li>1. Vitesse de déplacement irrégulière</li><li>2. Réglage de chaleur de sortie trop bas</li><li>3. Manque de/niveau bas de gaz protecteur</li><li>4. Type de gaz incorrect (Aluminium)</li><li>5. Cordon prolongateur trop long</li><li>6. Accumulation possible d'oxydes sur la surface (Aluminium)</li></ol>	<ol style="list-style-type: none"><li>1. Diminuer et maintenir une vitesse de déplacement constante</li><li>2. Augmenter le réglage de chaleur de sortie</li><li>3. Utiliser le gaz pour la méthode MIG ou remplir la bouteille</li><li>4. Utiliser le gaz Argon 100% seulement</li><li>5. N'utilisez pas un cordon prolongateur plus que 20 pi de long</li><li>6. Bien nettoyer la surface avec une brosse métallique seulement</li></ol>
Le fil crache et se colle	<ol style="list-style-type: none"><li>1. Fil humide</li><li>2. Vitesse de fil trop rapide</li><li>3. Type de fil incorrect</li><li>4. Manque de/niveau bas de gaz protecteur</li></ol>	<ol style="list-style-type: none"><li>1. Utiliser un fil sec et l'entreposer dans un endroit sec</li><li>2. Diminuer la vitesse de fil</li><li>3. Utilisez le fil fourré de flux si vous n'utilisez pas de gaz</li><li>4. Utiliser le gaz pour la méthode MIG ou remplir la bouteille</li></ol>

# Soudeur à l'Arc Alimenté en Fil

## Pour Pièces de Rechange ou assistance technique, appeler 1-800-746-5641

S'il vous plaît fournir l'information suivante:

- Numéro de modèle
- Numéro de série (si applicable)
- Numéro et description de la pièce

Adresser toute correspondance à :

Campbell Hausfeld  
Attn: Customer Service  
100 Production Drive  
Harrison, OH 45030 U.S.A.

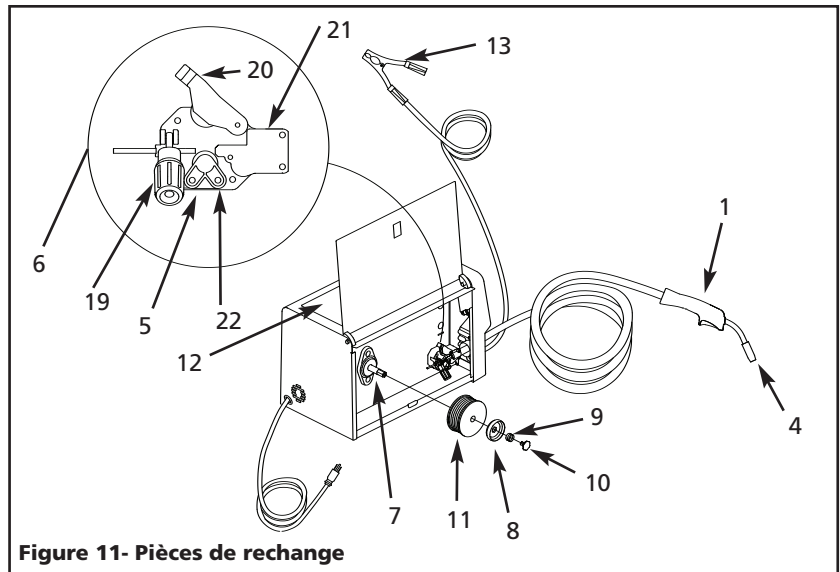


Figure 11- Pièces de rechange

### Liste de pièces de rechange - Modèles WF2150, WG2154, WG2160 et WG2164

No de Réf.	Description	No De Pièce	Qté	No de Réf.	Description	No De Pièce	Qté
1	Chalumeau (Fil fourré, 2,4 m, WF2150 et WG2154)	WC601510AJ	1		Fil de soudure MIG – 0,8 mm (0,030 po) 4,98 kg (11 lb) (ER70S6)	WE302000AV	†
	Chalumeau (MIG, 2,4 m, WG2160 et WG2164)	WC601520AJ	1		Fil de soudure MIG – 0,9 mm (0,035 po) 0,9 kg (2 lb) (ER70S6)	WE301001AV	†
2 ▲	Doublure de fil - 0,6 à 0,9 mm	WC403620AJ	1		Fil de soudure MIG – 0,9 mm (0,035 po) 4,98 kg (11 lb) (ER70S6)	WE302500AV	†
3 ▲	Pointe de contact – 0,6 mm (0,024 po)	WT501200AV	1		Fil de soudure MIG d'aluminium. bobine 0,8° mm (0,030 po) 0,45 kg (1 lb)	WE303001AV	†
	Pointe de contact – 0,8 mm (0,030 po)	WT501300AV	1	12	Décalque de sécurité	DK689105AV	1
	Pointe de contact – 0,9 mm (0,035 po)	WT501400AV	1	13	Pince de travail	WC100300AV	1
	Pointe de contact optionnelle – 0,6 mm (0,024 po) Paquet de 4	WT501200AJ	†	14 ▲	Tuyau de gaz — (seulement WG2160 et WG2164)	*	1
	Pointe de contact optionnelle – 0,8 mm (0,030 po) Paquet de 4	WT501300AJ	†	15 ▲	Régulateur à deux jauges — (seulement WG2160 et WG2164)	WC803500AV	1
	Pointe de contact optionnelle – 0,9 mm (0,035 po) Paquet de 4	WT501400AJ	†	16 ▲	Casque de soudure optionnelle	WT100500AV	†
4	Embout	WT502100AV	1	17 ▲	Trousse de soudure d'aluminium optionnelle [Inclut une doublure de fil PTFE, rouleau entraîneur à rainure en U pour le fil d'aluminium de 0,8 mm (0,030 po) et quatre pointes de contact de 0,8 mm (0,030 po) pour le fil d'aluminium] — (seulement WG2160 et WG2164)	WT253100AV	†
5	Rouleau entraîneur - 0,6 à 0,9 mm (0,024 à 0,035 po).	WC500805AV	1	18 ▲	Assemblage de poignée	WC707405AJ	†
	Assemblage de tablier d'entraînement	WC500800AJ	1	19	Ensemble de tendeur WC	WC500800AJ DD	WC500850AV
7	Broche de bobine	WC707570AV	1	20	Ensemble de bras WC	WC500800AJ DD	WC500840AV
8	Dispositif de retenue de bobine	WC707023AV	1	21	Ensemble de dispositif de retenue de chalumeau	WC500824AV	
9	Ressort de bobine	WC707026AV	1	22	Axe de roue de soutien	WC500823AV	
10	Verrou de bobine	WC707024AV	1	23 ▲	Bouton de sélecteur thermique	WC707370AV	
11	Fil de soudure fourré – 0,9 mm (0,030 po) 0,9 kg (2 lb) (E71T-GS)	WE200001AV	†	24 ▲	Bouton thermique de mise en marche et d'arrêt de la FAO	WC707390AV	
	Fil de soudure fourré – 0,9 mm (0,030 po) 4,5 kg (10 lb) bobine (E71T-GS)	WE201000AV	†		▲ Non illustré		
	Fil de soudure fourré – 0,9 mm (0,035 po) 0,9 kg (2 lb) (E71T-GS)	WE200501AV	†		† Accessoire optionnel		
	Fil de soudure fourré – 0,9 mm (0,035 po) 4,5 kg (10 lb) bobine (E71T-GS)	WE201500AV	†		* Article normal de quincaillerie		
	Fil de soudure fourré – 0,6 mm (0,024 po) 0,9 kg (2 lb) (ER70S6)	WE300001AV	†				
	Fil de soudure fourré – 0,6 mm (0,024 po) 4,98 kg (11 lb) (ER70S6)	WE301500AV	†				
	Fil de soudure MIG – 0,8 mm (0,030 po) 0,9 kg (2 lb) (ER70S6)	WE300501AV	†				



## **Lexique de Termes de Soudage**

**CA ou Courant Alternatif** - courant électrique qui change de direction périodiquement. Le courant à soixante cycles voyage dans les deux directions soixante fois par seconde.

**Longueur de L'Arc** - La distance du bout de l'électrode jusqu'au point où l'arc contacte la surface de travail.

**Métal Commun** - le matériel qui doit être soudé.

**Joint en Bout** - un joint entre deux pièces qui sont alignées approximativement dans le même plan.

**Cratère** - une flaque ou poche qui est produite quand l'arc contacte le métal commun.

**CC ou Courant Continu** - courant électrique d'une direction seulement. La polarité (+ ou -) détermine la direction du courant.

**CC Polarité Inversée** - quand le porte-électrode est branché au pôle positif du soudeur. La Polarité Inversée dirige plus de chaleur dans l'électrode plutôt que sur l'objet de travail pour l'utilisation sur les matériaux plus minces.

**CC Polarité Ordinaire** - quand le porte-électrode est branché au pôle négatif du soudeur. Plus de chaleur est dirigé vers l'objet de travail pour meilleur pénétration des matériaux épais.

**Électrode** - un fil en métal enrobé ayant approximativement la même composition du matériel qui doit être soudé.

**Soudure en Cordon** - dimension approx. d'un triangle, profil en travers, qui uni les deux surfaces à angles droits en soudure à recouvrement, en T ou en coin.

**Flux** - un enduit qui produit un gaz protecteur autour de l'endroit de soudage. Ce gaz protège les métaux contre les polluants dans l'air.

**Soudure À L'Arc Fourré de Flux (FCAW)** - ou Sans-gaz est une méthode de soudage utilisée avec un soudeur à alimentation en fil. Le fil de soudage est tubulaire avec du flux à l'intérieur pour protection.

**Soudure À L'arc À Gaz (GMAW)** - ou MIG est une méthode utilisée avec un soudeur à alimentation en fil. Le fil est solide et un gaz inerte est utilisé pour protection.

**Soudure À L'Arc À Gaz Tungstène (GTAW)** - ou TIG est une méthode de soudage utilisée avec de l'équipement de soudage qui a une génératrice à haute fréquence. L'arc est créé entre un électrode tungstène non-utilisable et l'objet de travail. Un métal bouche-pores peut être utilisé.

**Soudure à Recouvrement** - un joint entre deux pièces en chevauchement.

**Tension au Repos** - la tension entre l'électrode et le collier de mise à la terre quand il n'y a pas de flux de courant (pas de soudage). Ceci détermine la vitesse à laquelle l'arc est amorcé.

**Chevauchement** - se produit quand le réglage d'ampérage est trop bas. En ce cas, le métal fondu tombe de l'électrode sans se fondre dans le métal commun.

**Porosité** - des soufflures, ou creux formés pendant la solidification de la soudure qui affaiblissent la soudure.

**Pénétration** - la profondeur que la chaleur affecte l'objet pendant la soudure. Une soudure de haute qualité est celle qui atteint 100% de pénétration. C'est à dire que l'objet de travail en entier a été chauffé et solidifié à nouveau. Les endroits affectés par la chaleur devraient être visibles sur l'inverse de la soudure.

**Soudure À L'Arc Au Métal Enrobé (SMAW)** - est une méthode de soudage qui utilise une électrode utilisable pour soutenir un arc. L'enduit de flux fondu sur l'électrode fournit la protection.

**Scorie** - une couche d'encrassement de flux qui protège la soudure des oxydes et autres polluants pendant le refroidissement de la soudure. Enlever la scorie après que la soudure s'est refroidie.

**Bavure** - particules métalliques volantes qui se refroidissent sur la surface de travail. La bavure peut être diminuée si vous utilisez un agent vaporisateur qui résiste la bavure sur l'objet de travail avant de souder.

**Point de Soudure** - une soudure utilisée pour tenir les pièces en alignement jusqu'à ce que les soudures actuelles soient complétées.

**L'Angle de Déplacement** - l'angle de l'électrode dans la ligne de soudure. Ceci varie entre 5° et 45° selon les conditions.

**Joint en T** - placer le bord d'un morceau de métal sur l'autre à un angle de 90°.

**Caniveau** - une condition résultant d'un ampérage trop haut qui produit une rainure dans le métal commun le long des deux côtés du cordon de soudure et sert à affaiblir la soudure.

**Flaque de Soudure** - un volume de métal fondu dans une soudure avant sa solidification.

**Cordon de Soudage** - une ou plusieurs couche(s) étroite de métal placé sur le métal commun pendant que l'électrode fond. La largeur du cordon de soudage est typiquement deux fois le diamètre de l'électrode.

**Angle de Travail** - l'angle de l'électrode de l'horizontal, mesuré à angle droit de la ligne de soudure.

## Garantie Limitée

- 1. Durée:** Le fabricant garantit la réparation, sans frais pour les pièces et main-d'oeuvre, le Soudeur, le Pistolet Soudeur, Câbles, qui se sont révélés défectueux en matière ou fabrication, pendant les durées suivantes après la date d'achat initial:
    - Pour 5 Ans: Le Transformateur de Soudeur et Redresseur
    - Pour 3 Ans: Le Soudeur En Entier (à l'exclusion des colliers, pistolet, câbles, ou accessoires emballés avec le soudeur)
    - Pour 90 jours: Colliers De Mise À La Terre, Pistolet MIG, Porte-électrodes, Accessoires, et Câbles de Soudage (si applicable)
  - 2. Garantie Accordée Par (Garant):**

Campbell Hausfeld, a Scott Fetzer Company  
100 Production Drive  
Harrison, OH 45030 U.S.A.  
Telephone: 1-800-746-5641
  - 3. Bénéficiaire De Cette Garantie (Acheteur):** L'acheteur initial du produit Maxus .
  - 4. Couverture De La Présente Garantie:** Défauts de matière et de fabrication qui se révèlent pendant la période de validité de la garantie. Cette garantie comprend le Soudeur, le Transformateur du Soudeur et Redresseur, Pistolet du Soudeur ou le Porte-Électrode, et câbles seulement.
  - 5. La Présente Garantie Ne Couvre Pas:**
    - A. Les garanties implicites, y compris celles de commercialisabilité et D'ADAPTION À UNE FONCTION PARTICULIÈRE SONT LIMITÉES EN DURÉE À CETTE GARANTIE. Après cette durée, tout risque de perte, quoi que ce soit, devient la responsabilité de l'acheteur. Certaines Provinces n'autorisent pas de limitations de durée pour les garanties implicites. Les limitations précédentes peuvent donc ne pas s'appliquer.
    - B. TOUT DOMMAGE, PERTE OU DÉPENSE FORTUIT OU INDIRECT POUVANT RÉSULTER DE TOUT DÉFAUT, PANNE OU MAUVAIS FONCTIONNEMENT DU PRODUIT Maxus. Certaines Provinces n'autorisent pas l'exclusion ni la limitation des dommages fortuits ou indirects. La limitation ou exclusion précédente peut donc ne pas s'appliquer.
    - C. Les accessoires qui sont compris avec le produit et qui sont soumis à l'usure par l'usage normal; la réparation ou le remplacement de ces objets sont la responsabilité de l'acheteur. Ces pièces MIG comprennent, mais ne sont pas limités à; Pointes De Contact, Buses, Doublures de Pistolet, Rouleaux D'Entraînement, Nettoyant pour Fil en Feutre. Additionnellement, cette garantie ne comprend pas le dommage causé par le remplacement ou entretien prématuré des pièces USABLES précédentes.
    - D. Toute panne résultant d'un accident, d'une utilisation abusive, de la négligence ou d'une utilisation ne respectant pas les instructions données dans le(s) manuel(s) accompagnant le produit.
    - E. Service avant livraison, i.e. montage et ajustement.
  - 6. Responsabilités Du Garant Aux Termes De Cette Garantie:** Réparation ou remplacement, au choix du Garant, des produits ou pièces qui se sont révélés défectueux pendant la durée de validité de la garantie.
  - 7. Responsabilités De L'Acheteur Aux Termes De Cette Garantie:**
    - A. Veuillez appeler le 1-800-746-5641 pour l'assistance avec la garantie.
    - B. Fournir une preuve d'achat datée et un état d'entretien.
    - C. Toutes les soudeuses doivent être livrées ou expédiées au Centre de Service Autorisé Maxus le plus près. Les frais de transport, si applicables, sont la responsabilité de l'acheteur.
    - D. Utilisation et entretien du produit avec un soin raisonnable, ainsi que le décrit le(s) manuel(s) d'utilisation.
  - 8. Réparation ou Remplacement Effectué Par Le Garant Aux Termes De La Présente Garantie:** La réparation ou le remplacement sera prévu et exécuté en fonction de la charge de travail dans le centre d'entretien et dépendra de la disponibilité des pièces de rechange.
- Cette garantie limitée confère des droits précis. L'acheteur peut également jouir d'autres droits qui varient d'une Province à l'autre.

Sírvase leer y conservar estas instrucciones. Léalas con cuidado antes de intentar armar, instalar, operar o efectuar mantenimiento al producto descrito. Protéjase a sí mismo y a los demás observando la información de seguridad. ¡El no cumplir con estas instrucciones podría provocar lesiones personales y/o daños materiales! Conserve estas instrucciones para futura referencia.



# Soldadora Por Arco Con Alimentación De Alambre

## Descripción

Estas soldadoras con alimentación de alambre Campbell Hausfeld están diseñadas para usarse con corriente normal de 120 V. La soldadora está equipada con un control infinito de velocidad del alambre para seleccionar con precisión la velocidad de alimentación del alambre necesaria para diferentes condiciones de soldadura. Los componentes internos tienen un sistema de protección termostática.

La soldadora WF2150 y WF2154 están diseñada para usarse con el proceso de soldadura con arcos de fundente revestido (FCAW). La soldadora WG2160 y WG2164 están diseñada para usarse con el proceso de soldadura con arcos de fundente revestido (FCAW) o el proceso de soldadura con arcos de metal gaseoso (GMAW). Como se entrega de fábrica, esta soldadora puede soldar con alambre de 0,030 in. (0,8mm) de

diámetro con fundente revestido. Se incluye una bobina de arranque con alambre de 0,030 in. (0,8 mm) con fundente revestido.

Para usar el proceso GMAW con las soldadoras WG2160 o WG2164, es necesario adquirir sólo gas de protección y alambre MIG.

### Desempaque

Cuando desempaque, revise con cuidado cualquier daño que pueda haber ocurrido durante el transporte. Verifique que cualquier conexión, pernos flojos, etc., sean ajustados antes de poner la soldadora en servicio.

**Informe sobre cualquier artículo faltante o dañado llamando al 1-800-746-5641.**

## REQUERIMIENTOS DEL CIRCUITO

### PRECAUCION

Este equipo

requiere un circuito dedicado de 120 voltios. Refiérase a la tabla siguiente para el interruptor de circuito o rango del fusible correctos, para los modelos de 120 voltios. No haga funcionar otros aparatos, luces o herramientas en este circuito mientras opera este equipo. No se recomienda cordones de extensión. Los fusibles quemados e interruptores automáticos de circuitos desconectados pueden ser el resultado de no cumplir con esta recomendación.

## COMPONENTES Y CONTROLES (FIGURA 1)

1. Abrazadera de trabajo – conéctela a la pieza de trabajo.
2. Soplete con punta de 0,030 in. (0.8 mm).
3. Cordón eléctrico – enchúfelo en un tomacorriente de 120 voltios.
4. Luz – se enciende si el termostato ha apagado la soldadora automáticamente.
5. Control de velocidad de alambre infinito – gira en sentido de las agujas del reloj para aumentar la velocidad del alambre y en sentido contrario al de las agujas del reloj para disminuir la velocidad del alambre.
6. Interruptor de apagado/calor – selecciona la potencia de soldar y enciende la soldadora. Hay cuatro selecciones posibles: 1 – 2 – 3 – 4.

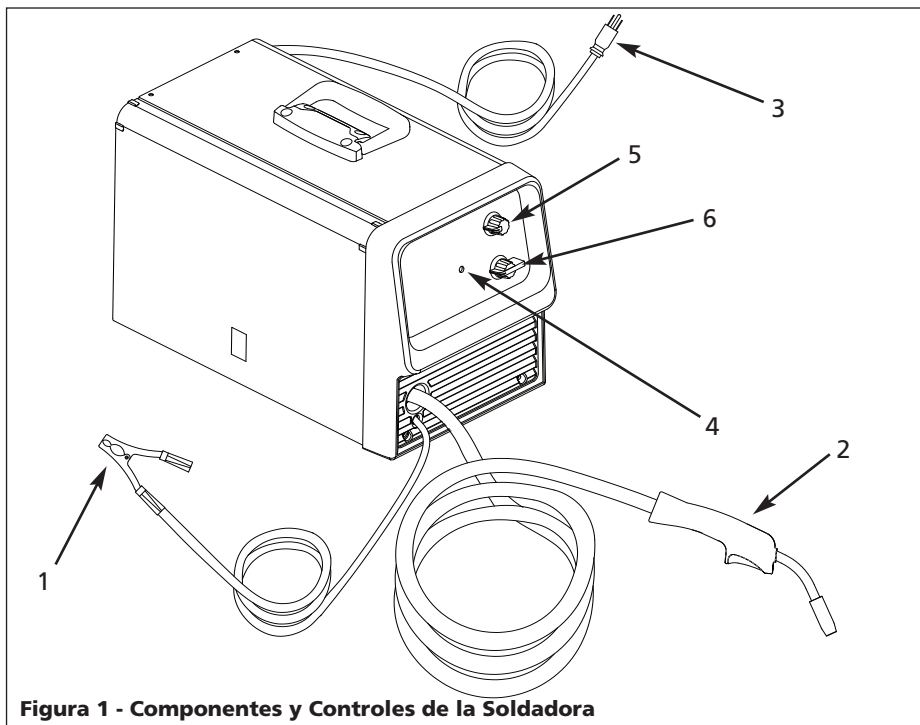


Figura 1 - Componentes y Controles de la Soldadora

Diám. del Electrodo	Cortacircuito o Fusible de acción retardada para los modelos de 120 V	
1-2-3	15 amp	
4	20 amp	

Vea la página 35 para obtener las instrucciones de cambio del cable de alimentación.

**RECORDATORIO: ¡Guarde su comprobante de compra con fecha para fines de la garantía! Adjúntela a este manual o archívela en lugar seguro.**

# Soldadora Por Arco Con Alimentación de Alambre

## Información General de Seguridad

### ⚠ PELIGRO

Esto le indica

que hay una situación inmediata que LE OCASIONARIA la muerte o heridas de gravedad.

### ⚠ ADVERTENCIA

Esto le indica

que hay una situación que PODRIA ocasionarle la muerte o heridas de gravedad.

### ⚠ PRECAUCION

Esto le indica

que hay una situación que PODRIA ocasionarle heridas no muy graves.

**AVISO:** Aviso indica información adicional referente al producto o a su uso correcto.

### ⚠ ADVERTENCIA

**Siempre tenga un extinguidor disponible mientras realiza operaciones de soldadura por arco.**



- Antes de poner en funcionamiento o dar mantenimiento a cualquier soldadora por arco, lea y entienda todas las instrucciones. El no seguir las precauciones de seguridad o instrucciones puede causar daños al equipo y/o graves lesiones personales o la muerte.
- Toda instalación, mantenimiento, reparación y operación de este equipo deberá ser realizado sólo por personas calificadas en conformidad con los códigos nacionales, estatales y locales.



### ⚠ ADVERTENCIA

**El uso incorrecto de soldadoras por arco eléctricas pueden causar choque eléctrico, lesiones y muerte. Tome todas las precauciones descritas en este manual para disminuir la posibilidad de un choque eléctrico.**



- Verifique que todos los componentes de la soldadora por arco estén limpios y en buen estado antes de poner la soldadora en funcionamiento. Asegúrese que el aislamiento de todos los cables, soplete, y cordón eléctrico no esté dañado. Siempre repare o cambie los componentes dañados antes de poner la soldadora en funcionamiento. Siempre mantenga los paneles, blindajes, etc., en su lugar, cuando opere la soldadora por arco.
- Siempre lleve puesta ropa de protección seca, guantes de soldadura y zapatos aislados cuando opere la unidad.

- Siempre opere la soldadora en un área limpia, seca y bien ventilada. No opere la soldadora en áreas húmedas, mojadas, lluviosas o mal ventiladas.
- Asegúrese de que la pieza de trabajo esté bien sostenida y conectada a tierra antes de comenzar cualquier operación de soldadura por arco.
- Extienda el cable de soldadura retráctil antes del uso para evitar el recalentamiento y daños en el aislamiento.

### ⚠ DANGER

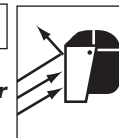
No

**sumerja nunca el alambre o el soplete en agua. ¡Si la soldadora se moja por cualquier razón, esté absolutamente seguro de que esté completamente limpia y seca antes de usarla!**

- Siempre apague el equipo y desconecte el cordón de alimentación antes de retirar la unidad.
- Siempre fije el conector de la pieza primero.
- Verifique que la pieza de trabajo esté fijamente conectada a tierra.
- Siempre apague el equipo de soldadura de arco eléctrico cuando no está utilizándolo y retire del soplete todo el alambre en exceso.
- Nunca permita que ninguna parte del cuerpo toque el alambre de soldadura y la tierra o la pieza de trabajo conectada a tierra al mismo tiempo.
- Cualquier condición o posición de soldadura difícil puede ser eléctricamente peligrosa. Cuando se agache, arrodille o en elevaciones, asegúrese de aislar todas las partes conductoras, llevar puesta ropa de protección apropiada y tomar precauciones para evitar lesiones por caída.
- Nunca intente utilizar este equipo en ajustes de corriente o ciclos de trabajo mayores a los especificados en los rótulos del equipo.
- Nunca utilice una soldadora por arco eléctrica para deshielar tuberías congeladas.

### ⚠ ADVERTENCIA

**Las chispas que saltan y el metal caliente pueden causar lesiones. Mientras las soldadoras trabajan, pueden saltar desechos. Tome todas las precauciones descritas en este manual para reducir la posibilidad de lesiones por chispas que saltan y metal caliente.**



- Utilice una careta de soldador o anteojos de seguridad con protectores laterales aprobados por ANSI cuando cincele o triture piezas de metal.

- Utilice tapones de oídos cuando suelde sobre la cabeza para evitar que la viruta o desechos caigan en los oídos.

### ⚠ ADVERTENCIA

**Las operaciones de soldadura por arco eléctrico producen luz y calor intensos y rayos ultravioletas (UV). Esta luz intensa y rayos UV pueden causar lesiones a los ojos y la piel. Tome todas las precauciones descritas en este manual para reducir la posibilidad de lesiones a los ojos y la piel.**



- Todas las personas que operan este equipo o que se encuentren en el área mientras el equipo está funcionando deben utilizar un equipo de protección para soldadura, que incluye: casco o careta de soldadura con por lo menos lentes de sombra 10, ropa resistente al fuego, guantes de soldadura de cuero y protección completa de los pies.

### ⚠ ADVERTENCIA

Nunca

**mire las operaciones de soldadura por arco sin la protección para los ojos que se ha descrito anteriormente. Nunca utilice una lente de filtro de sombra que esté rajada, rota o por debajo del número 10. Advierta a las demás personas en el área que no miren al arco.**

### ⚠ ADVERTENCIA

**¡Las operaciones de soldadura por arco originan chispas y metal caliente a temperaturas que pueden ocasionar quemaduras graves! Utilice guantes y ropa de protección cuando realice cualquier operación de trabajo con metales. Tome todas las precauciones descritas en este manual para reducir la posibilidad de quemaduras de piel y ropa.**



- Asegúrese de que todas las personas en el área de soldadura estén protegidas del calor, chispas y rayos ultravioletas. Utilice caretas de rostro adicionales y barreras resistentes al fuego según se requiera.
- Nunca toque las piezas de trabajo hasta que se hayan enfriado completamente.

### ⚠ ADVERTENCIA

**¡El calor y las chispas producidas durante las operaciones de soldadura por arco y demás operaciones de trabajo de metales pueden encender materiales inflamables y explosivos! Tome todas las precauciones descritas en este manual para reducir la posibilidad de fuego y explosiones.**





## Información General de Seguridad

### (Continuación)

- Retire todo el material inflamable ubicado dentro de los 10,7 metros (35 pies) del arco de soldadura. Si no es posible retirarlo, cubra herméticamente el material inflamable con cubiertas contra incendios.
- No opere ninguna soldadora por arco eléctrico en áreas donde puedan haber vapores inflamables o explosivos.
- Tome precauciones para asegurar que las chispas que saltan y el calor no produzcan fuego en áreas ocultas, rajaduras, etc.

### ⚠ ADVERTENCIA

**¡Peligro de incendio! No suelde en contenedores o tuberías que contengan o hayan contenido materiales inflamables o combustibles líquidos o gaseosos.**



### ⚠ ADVERTENCIA

**¡La soldadura por arco cerca de cilindros o contenedores tales como tanques o tambores puede causar una explosión si no han sido correctamente ventilados! Verifique que los cilindros o contenedores que van a ser soldados tengan un orificio de ventilación adecuado para que los gases que se expanden puedan ser liberados.**



### ⚠ ADVERTENCIA

**No respire los vapores producidos por la operación de soldadura por arco, pues éstos son peligrosos. Si no se puede ventilar correctamente el área de soldadura, asegúrese de utilizar un respirador de aire suministrado.**

- Mantenga la cabeza y rostro fuera de los vapores de soldadura.
- **Se producen vapores extremadamente tóxicos cuando se calientan metales galvanizados o metales enchapados en cadmio, metales que contienen zinc, mercurio o berilio.** Tome las siguientes precauciones antes de realizar operaciones de soldadura por arco eléctrico en estos metales:
  - a. Retire el recubrimiento del metal de base.
  - b. Asegúrese de que el área de soldadura esté bien ventilada.
  - c. Utilice un respirador de aire suministrado.

### ⚠ ADVERTENCIA

**El campo electromagnético generado durante la soldadura por arco puede interferir con la operación de diferentes dispositivos eléctricos y electrónicos tales como marcapasos. Las personas que utilizan este tipo de dispositivos deben consultar con su médico antes de realizar cualquier operación de soldadura por arco eléctrico.**



- Disponga el soplete y los cables de trabajo juntos y asegúrelos con cinta cuando sea posible.
- Nunca enrolle los cables de la soldadura por arco alrededor de la unidad.
- Disponga siempre el soplete y los cables de trabajo en el mismo lado del cuerpo.
- La exposición a campos electromagnéticos durante la soldadura puede tener otros efectos contra la salud que se desconocen.

### PROPOSICIÓN DE CALIFORNIA 65

### ⚠ PELIGRO

**Este producto, cuando se usa para soldar, produce humos o gases que contienen químicos los cuales, según lo ha determinado el estado de California, causan defectos congénitos (u otros daños de la función reproductiva), y en algunos casos, el cáncer (Ley sobre Seguridad y Salud de California No. 25249.5 y siguientes)**



### ⚠ ADVERTENCIA

**Este producto y su cable de corriente contienen plomo, un químico que es conocido por el Estado de California como causante de cáncer y defectos de nacimiento u otros daños reproductivos. Lávese las manos después de manipularlo.**

### INFORMACIÓN DE SEGURIDAD

### ⚠ ADVERTENCIA

**Siempre asegúrese de que el área de soldadura sea segura y no haya peligros (chispas, llamas, metal incandescente o desechos) antes de retirarse. Asegúrese de que el equipo esté apagado y el cable en exceso cortado. Asegúrese de que los cables estén enrollados sin apretar y estén fuera del camino. Asegúrese de que todo el metal y desechos se hayan enfriado.**



### ⚠ PELIGRO

**Los cilindros pueden explotar si sufren algún daño. Los cilindros de gas de protección contienen gas bajo presión. De sufrir algún daño, un cilindro puede explotar. Puesto que los cilindros de gas son parte normal**



**del proceso de soldadura, asegúrese de manejarlos con cuidado.**

- Proteja los cilindros de gas comprimido del calor excesivo, sacudidas mecánicas y arcos.
- Instale y fije los cilindros en posición vertical, encadenándolos a un soporte estacionario o soporte de cilindros del equipo para evitar que se caigan o volteen.
- Mantenga los cilindros lejos de cualquier soldadura u otros circuitos eléctricos.
- Nunca permita que un electrodo de soldadura toque los cilindros.
- **Utilice sólo los cilindros de gas protector, reguladores, mangueras y conexiones correctas para la aplicación determinada; conserve todas las piezas correctamente.**
- Retire el rostro de la salida de la válvula cuando abra la válvula del cilindro.
- Mantenga la tapa protectora en su lugar sobre la válvula, salvo cuando se esté utilizando el cilindro o esté conectado para utilizarlo.
- Lea y siga las instrucciones sobre cilindros de gas comprimido, equipo asociado y la publicación P-1 CGA enumeradas en las Normas de Seguridad.

### ⚠ PELIGRO

**Nunca utilice gases inflamables con soldadoras MIG. Sólo los gases inertes o no inflamables tales como dióxido de carbono, argón, helio o mezclas de uno o más de estos gases son adecuados para la soldadura MIG.**

### ⚠ ADVERTENCIA

**Nunca levante los cilindros del suelo asíndolos de sus válvulas o tapas o con cadenas o eslingas.**

### NORMAS DE SEGURIDAD ADICIONALES

**Norma ANSI Z49.1** de American Welding Society, 550 N.W. Le Jeune Rd. Miami, FL 33126

**Normas de seguridad y salud OSHA 29 CFR 1910**, del Superintendent of Documents, U.S. Government Printing Office, Washington, D.C. 20402

### Normas para instalaciones eléctricas

Norma NFPA 70, de National Fire Protection Association, Batterymarch Park, Quincy, MA 02269

### Manipuleo seguro de gases comprimidos en cilindros

Folleto CGA P-1, de Compressed Gas Association, 1235 Jefferson Davis Highway, Suite 501, Arlington, VA 22202

# Soldadora Por Arco Con Alimentación de Alambre

## Información General de Seguridad

### (Continuación)

#### Normas de seguridad para soldadura y corte

Norma CSA W117.2, de Canadian Standards Association, Standards Sales, 178 Rexdale Boulevard, Rexdale, Ontario, Canada M9W 1R3

#### Procesos de corte y soldadura

Norma NFPA 51B, de National Fire Protection Association, Batterymarch Park, Quincy, MA 02269

#### Prácticas Seguras para Protección Ocupacional y Educativa de Ojos y Rostro

Norma ANSI Z87.1, del American National Standards Institute, 1430 Broadway, New York, NY 10018

Refiérase a las Hojas de Datos de Materiales de Seguridad y las instrucciones del fabricante para metales, cable, recubrimientos y limpiadores.

## Instalación

### UBICACIÓN

La selección de la ubicación correcta puede aumentar considerablemente el rendimiento, confiabilidad y vida de la soldadora por arco.

- Para mejores resultados ubique la soldadora en un ambiente limpio y seco. El polvo y suciedad en la soldadora retienen humedad y aumentan el desgaste de las piezas móviles.
- Coloque la soldadora en un área con por lo menos 30,5 cm (12 pulgadas) de espacio de ventilación en la parte delantera y posterior de la unidad. Elimine cualquier obstrucción de este espacio de ventilación.
- Para evitar la oxidación, guarde el cable de soldar en un lugar limpio y seco y de baja humedad.
- Utilice un receptáculo conectado correctamente a tierra para la soldadura y asegúrese que la soldadora esté conectada sólo al circuito de suministro de energía. Refiérase a la tabla de la página 1 para la capacidad correcta del circuito.
- No se recomienda el uso de un cordón de extensión para máquinas de soldadura por arco eléctrico. La caída de tensión en el cordón de extensión puede degradar considerablemente el rendimiento de la soldadora.

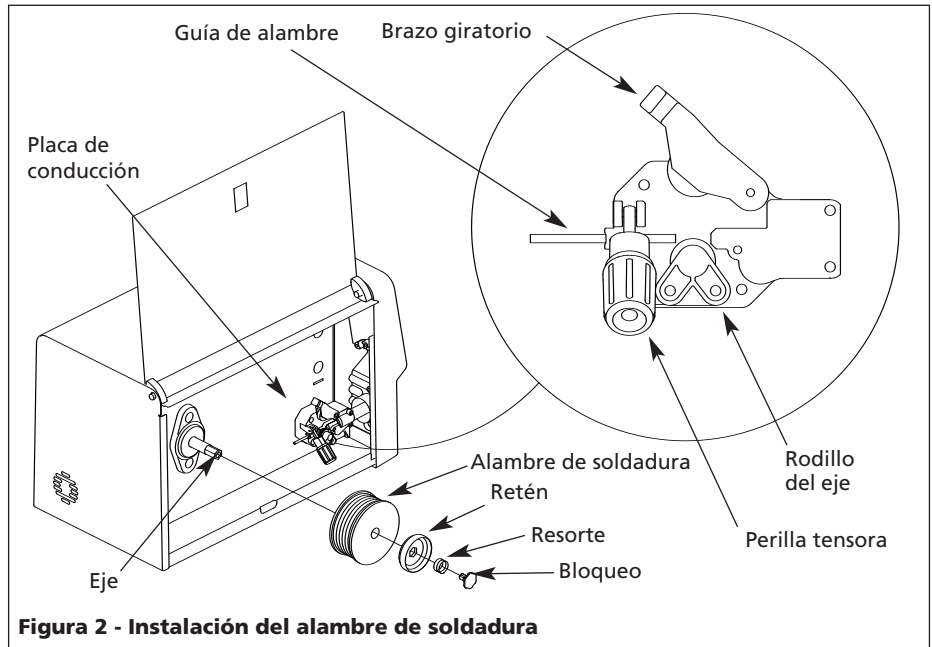


Figura 2 - Instalación del alambre de soldadura

## Ensamblaje

### INSTALACIÓN DEL ALAMBRE

**NOTA:** Antes de instalar el alambre de soldadura, asegúrese de que:

- a. El diámetro del alambre de soldar coincide con la ranura del rodillo del mecanismo de alimentación (Ver Fig. 2).
- b. El alambre coincide con la punta de contacto en el extremo del soplete (Ver Fig. 3).

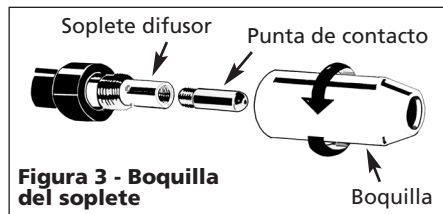


Figura 3 - Boquilla del soplete

### Marcas de la punta de contacto

Marca	Tamaño del cable
0,6 mm	0,024 pulg.
0,8 mm	0,030 pulg.
0,9 mm	0,035 pulg.

Cualquier desigualdad puede provocar que el alambre resbale y/o se trabe.

**NOTA:** Mantenga siempre el control del extremo suelto del alambre de soldar para evitar que se desenrolle.

1. Verifique que la unidad esté apagada y abra el panel de la puerta para exponer el mecanismo de alimentación del alambre.

2. Retire el bloqueo de la bobina presionando y girando 1/4 de vuelta hacia la izquierda. Luego retire el bloqueo, el resorte y el retenedor.
3. Voltee la perilla tensora hacia abajo y gire hacia arriba el brazo giratorio sobre el mecanismo de conducción. Esto permite realizar la alimentación manual del alambre dentro del revestidor del soplete.
4. Monte la bobina de alambre en el vástago de manera que el alambre salga del fondo de la bobina. **No libere el alambre todavía.** Instale el retenedor de la bobina, el resorte y bloquee empujando y girando el bloqueo de 1/4 de giro hacia la derecha.
5. Sostenga el alambre y corte el extremo del alambre de la bobina. **No permita que el alambre se desenrolle.** Asegúrese de que el extremo del alambre esté derecho y sin rebabas.
6. Pase el alambre por la guía del alambre, sobre la ranura de la bobina de conducción y de vuelta dentro del forro de alambre en el soplete. Gire el brazo giratorio hacia abajo y la perilla tensora hacia arriba. Ajuste la tensión girando la perilla tensora.
7. Desenrosque la boquilla y la punta de contacto del extremo de soplete (Ver la Figura 3). Enchufe la soldadora en un tomacorriente adecuado.
8. Encienda la soldadora y ajuste la velocidad del alambre a 10. Accione el gatillo del soplete hasta que el alambre salga del extremo del soplete. **Apague la soldadora.**

## Ensamblaje (Continuación)

9. Con cuidado deslice la punta de contacto sobre el alambre, enrosque la punta en el extremo del soplete y vuelva a instalar la boquilla (Ver la Figura 3). Corte el alambre a cerca de 1/4 de pulgada (6 mm) del extremo de la boquilla.

### CICLO DE TRABAJO / PROTECCIÓN CON TERMOSTATO

El ciclo de trabajo de la soldadora es el porcentaje del tiempo de soldadura real que puede ocurrir en un intervalo de diez minutos. Por ejemplo, en un ciclo de trabajo del 20%, la soldadura real puede ocurrir por dos minutos, luego la soldadora debe dejarse enfriar por ocho minutos.

Los componentes internos de esta soldadora están protegidos contra el sobrecalentamiento con un interruptor térmico automático. **Si se excede el ciclo de trabajo se enciende una luz roja en el panel frontal. No apague la unidad.** Esto permite que el ventilador interno enfríe la unidad rápidamente. Los trabajos de soldadura pueden seguir cuando la luz roja se haya apagado.

### POLARIDAD (SÓLO WG2160 Y WG2164)

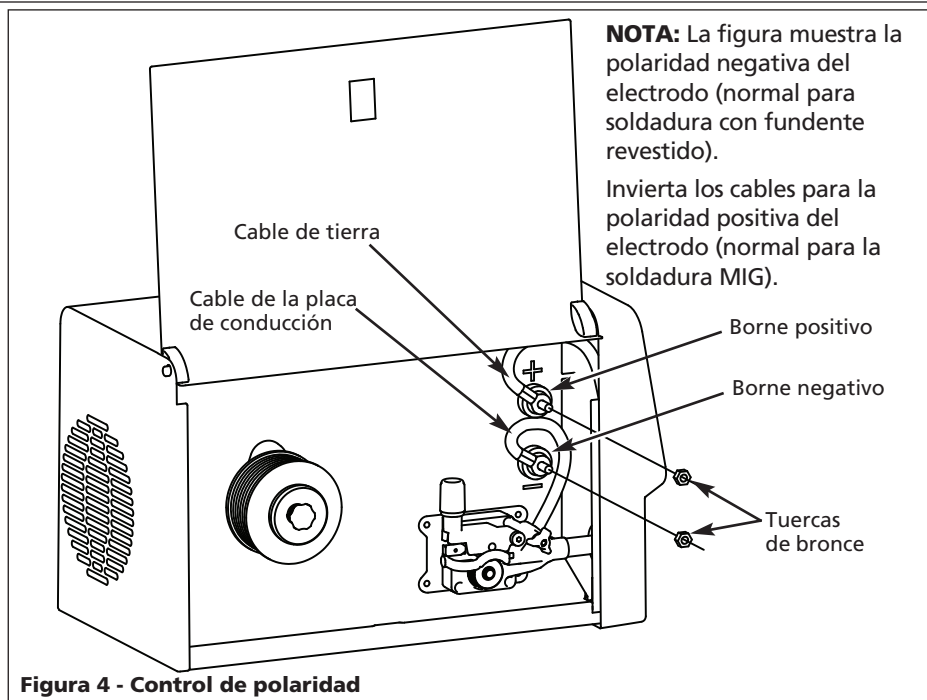
**El alambre para soldadura MIG** requiere que el electrodo sea positivo.

**El alambre de soldadura con fundente** requiere que el electrodo sea negativo. Use siempre la polaridad recomendada por el fabricante del alambre de soldadura.

La configuración de fábrica de la soldadora es de alambre para soldadura con fundente.

Para cambiar la polaridad (vea la figura 4)

1. Desenchufe el cable de corriente de la toma de corriente.
2. Abra la puerta del compartimiento de alimentación del alambre.
3. Retire las dos tuercas de los bornes de polaridad.
4. Conecte el cable de la placa de conducción al borne positivo y el cable de la pinza de trabajo al borne negativo para lograr la polaridad positiva del electrodo, para la soldadura MIG. Conecte el cable de la placa de conducción al borne negativo y el cable de la pinza de trabajo al borne positivo para lograr la polaridad positiva del electrodo, para la soldadura con fundente revestido.



**NOTA:** La figura muestra la polaridad negativa del electrodo (normal para soldadura con fundente revestido).

Invierta los cables para la polaridad positiva del electrodo (normal para la soldadura MIG).

Figura 4 - Control de polaridad

5. Vuelva a colocar las dos tuercas y apriételas firmemente.

### PRECAUCION

**Si las tuercas no quedan bien apretadas, la conexión suelta genera calor excesivo y esto daña los aisladores en los bornes.**

### Preparación del gas protector (SÓLO WG2160 Y WG2164)

### PELIGRO

**¡El manipuleo y mantenimiento incorrecto de los cilindros y reguladores de gas comprimido puede ocasionar lesiones graves o la muerte! Asegure siempre los cilindros de gas a una pared u otro soporte fijo para prevenir que el cilindro se caiga. Lea, entienda y siga todas las advertencias del gas comprimido y equipo en las instrucciones de seguridad.**

**AVISO:** No se requiere gas protector si se utiliza soldadura de núcleo fundente.

### TIPOS DE GAS

Existen tres tipos de gas que generalmente se utilizan para la soldadura por arco de metal de gas: 100% de argón, una mezcla de 75% de argón y 25% de dióxido de carbono (C25) o 100% de dióxido de carbono.

### PELIGRO

**Use SOLAMENTE el tipo de gas recomendado para su soldadora. Use SOLAMENTE un tipo de gas inerte, no inflamable. Si no lo hace podría ocasionarse una situación muy peligrosa.**

Se recomienda la mezcla 75/25 para soldadura de acero general. Para soldadura de aluminio, utilice 100% de argón. Los cilindros de cualquiera de estos dos tipos los puede obtener en su punto de venta local de suministros para soldadura. Asegure el cilindro para prevenir que se caiga.

**Cómo obtener el tipo correcto de gas.** El gas que use en cualquier aplicación de soldadura para su soldadora debe ser DE TIPO INERTE, NO INFLAMABLE. Puede obtener el tipo de gas necesario en un distribuidor de gas para soldaduras cercano (con frecuencia los encuentra en las páginas amarillas bajo "Soldadoras" o "Equipos para soldaduras").

### REGULADOR

Sólo el WG2160 y WG2164 trae el regulador. El regulador brinda una presión de gas protector y velocidad de circulación constantes durante el proceso de soldadura. Cada regulador ha sido diseñado para ser utilizado con un gas específico o una mezcla de gases. El argón y la mezcla de argón utiliza el mismo tipo de filamento. El dióxido de carbono de 100% utiliza un tipo diferente de filamento. Su proveedor de gas de soldadura tiene a la venta un adaptador para cambiar entre ambos.



# Soldadora Por Arco Con Alimentación de Alambre

## Ensamblaje (Continuación)

### PROCEDIMIENTO DE CONEXIÓN DEL REGULADOR Y MANGUERA

#### ⚠ ADVERTENCIA

El cilindro de gas se encuentra a alta presión. Apunte la salida del cilindro lejos de usted y de cualquiera que esté cerca antes de abrirlo.

1. Con los cilindros firmemente asegurados, párese al lado del cilindro opuesto a la salida del cilindro luego quite la tapa del cilindro y abra apenas la válvula girándola hacia la izquierda. Cuando se haya liberado el gas del cilindro, cierre la válvula girando en el sentido de las agujas del reloj. Esto arrojará polvo o suciedad que se pueda haber acumulado en el asiento de la válvula.
2. Instale el regulador sobre la válvula del cilindro. Ajuste la tuerca del vástago firmemente a la válvula de gas.
3. Conecte un extremo de la manguera de gas al empalme al respaldo de la soldadora y el otro extremo de la manguera al empalme del regulador. Asegúrese de que la manguera del gas no esté retorcida o doblada.
4. Mientras está parado frente a la toma del cilindro, abra lentamente la válvula de éste. Verifique que no haya fugas en las conexiones.
5. Recuerde cerrar la válvula de gas cuando termine la soldadura.

## Operación

1. Asegúrese de leer, entender y cumplir con todas las precauciones en la sección de Información general de seguridad. Asegúrese de leer toda la sección "Pautas de la soldadura" antes de utilizar este equipo.
2. Apague la soldadora.
3. Verifique que las superficies de los metales que van a ser unidos no tengan suciedad, óxido, pintura, aceite, costra u otros contaminantes. Estos contaminantes hacen difícil la soldadura y producen malas soldaduras.



#### ⚠ ADVERTENCIA

Todas las personas

que operan este equipo o que se encuentren en el área mientras el equipo está funcionando deben utilizar un equipo de protección para soldadura, el cual incluye: protección de ojos con la sombra apropiada, ropa

resistente al fuego, guantes de soldadura de cuero y protección completa de los pies.

#### ⚠ ADVERTENCIA

Si calienta, suelda o corta material galvanizado, enchapado en zinc o material enchapado en plomo o cadmio refiérase a la Información general de seguridad para instrucciones. Cuando se calientan estos materiales, se produce vapores altamente tóxicos.



4. Conecte la abrazadera de trabajo a la pieza de trabajo o banco de trabajo (si es metal). Asegúrese de que esté fija. Evite superficies con pintura, barniz, corrosión o materiales no metálicos.
5. Gire el control de velocidad del alambre hasta el ajuste según la etiqueta adhesiva dentro del compartimiento de alimentación del alambre, luego ajuste según sea necesario después de probar.
6. Enchufe el cable de corriente en un receptáculo adecuado con la capacidad de circuito correcta (vea los requisitos de circuito en la página 29).
7. Encienda la soldadora al ajuste de temperatura deseado según la etiqueta adhesiva dentro del compartimiento de alimentación del alambre, luego ajuste según sea necesario después de probar.

**AVISO:** Estos ajustes son solamente pautas generales. El ajuste del calor puede variar de acuerdo a las condiciones y materiales de soldadura.

8. Verifique que el alambre esté a 1/4 in. (6 mm) de la punta de contacto. Si no lo está, apriete el gatillo para alimentar más alambre, suelte el gatillo, apague la soldadora y corte el alambre cuando llegue al largo indicado. Luego, vuelva a colocar el interruptor en la configuración de calor deseada.

**NOTA:** El transformador de la máquina de soldar está apagado y no se energiza hasta que se aprieta el gatillo. Esta es una máquina de soldar de "antorcha fría" y no soldará hasta que se aprieta el gatillo.

9. Posicione el soplete cerca de la pieza de trabajo, baje el casco de soldar asintiendo con la cabeza o posicione la máscara de mano, y apriete el gatillo de la pistola. Ajuste la configuración de calor y la velocidad del cable según sea necesario.

10. Cuando termine de soldar, apague la soldadora y guárdela adecuadamente.

## Mantenimiento

#### ⚠ ADVERTENCIA

Desconecte el suministro de energía y apague la máquina antes de inspeccionar o reparar cualquier componente. Mantenga siempre cerrada la cubierta del compartimiento del cable, salvo que se requiera cambiar el cable.

#### ANTES DE CADA USO

1. Verifique el estado de los cables de soldadura y repare o cambie inmediatamente los cables con el aislamiento dañado.
2. Verifique el estado del cordón de alimentación y repare o cambie inmediatamente el cordón si está dañado.
3. Verifique la condición de la punta de contacto y boquilla del soplete. Retire cualquier escoria de soldadura. Reemplace la punta de contacto o la boquilla del soplete si sufren algún daño.

#### ⚠ ADVERTENCIA

No accione

esta soldadora si faltan o están dañados los aislamientos de los cables de soldar, del soplete o del cable de alimentación.

#### CADA 3 MESES

1. Cambie cualquier rótulo de seguridad ilegible en la soldadora.
2. Utilice aire comprimido para retirar todo el polvo y pelusas de las aberturas de ventilación.
3. Limpie las ranuras del alambre en la bobina de conducción. Retire la bobina de conducción y use un pequeño cepillo de alambre para limpiar. Reemplácela si está desgastada o dañada.

#### Piezas Consumibles y De Desgaste

Las siguientes piezas requieren ser reemplazadas:

- El rodillo de mando de la alimentación de alambre.
- Revestidor del soplete
- Boquilla y puntas de contacto
- Alambre – Esta soldadora aceptará bobinas de 4 pulg. u 8 pulg. de diámetro. El alambre de soldadura de núcleo fundente es susceptible a la humedad y se oxida con el tiempo; por lo tanto, es importante seleccionar el tamaño de bobina que se utilizará por un período de



## Mantenimiento (Continuación)

6 meses. Para soldadura de acero dulce, se recomienda el acero macizo AWS ER70S6 o el acero de núcleo fundente AWS 71T-GS.

### CÓMO CAMBIAR LOS TAMAÑOS DEL ALAMBRE

Esta soldadora está dispuesta para alambre de 0,030 in. (0,8 mm). Si se usa un alambre de tamaño diferente, puede ser necesario cambiar la bobina de conducción del alambre y la punta de contacto. Hay dos ranuras en la bobina de conducción. La ranura

pequeña es para alambre MIG de 0,024 in. (0,6 mm) y la ranura grande es para alambre MIG y fundente revestido de 0,030 – 0,035 in. (0,8 - 0,9 mm). Gire hacia abajo la perilla de tensión y voltee el brazo hacia arriba. Retire el soporte de la bobina quitando dos tornillos y voltee la bobina para seleccionar la ranura correcta. La punta de contacto también debe combinar con el diámetro del alambre usado. El diámetro de la punta está indicado en la punta de contacto, en pulgadas y/o milímetros.

### Cambio del alambre de alimentación

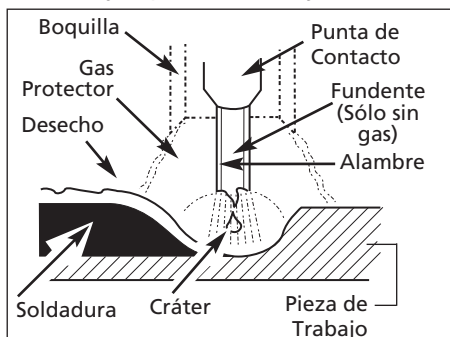
1. Verifique que la soldadora esté APAGADA (OFF) y que el cordón de alimentación esté desconectado.
2. Retire el panel lateral de la soldadora para acceder a los interruptores.
3. Desconecte los cables del cordón de alimentación según el diagrama dentro de la unidad.
4. Desconecte el cable de tierra conectado a la base de la soldadora.
5. Afloje los tornillos de liberación de tensión del cable y tire el cable afuera del liberador de tensión.
6. Instale el cordón nuevo en orden invertido según el diagrama dentro de la unidad.

## Pautas de Soldadura

### Información general

El modelo WF2150 y WG2154 puede usarse con el proceso de soldadura con arco de fundente revestido (FCAW). La soldadora WG2160 y WG2164 puede utilizar el proceso de soldadura con arcos de fundente revestido (FCAW) o el proceso de soldadura con arcos de metal gaseoso (GMAW). La soldadura debe estar protegida (blindada) de elementos contaminantes presentes en el aire mientras se está fundiendo. El proceso FCAW utiliza un alambre tubular con material fundente en su interior. El fundente crea un gas de protección cuando se funde. El proceso GMAW utiliza gas inerte para proteger la soldadura mientras se está fundiendo.

Cuando la corriente es producida por un transformador (máquina soldadora) y circula a través del circuito hacia el alambre de soldadura, se forma un arco entre el extremo del cable de soldadura y la pieza de trabajo. Este arco funde el alambre y la pieza de trabajo. El metal



**Figura 5 - Componentes de la Soldadura**

fundido del alambre de soldadura fluye hacia dentro del cráter y forma una soldadura con la pieza de trabajo tal como se muestra (Figura 5).

### Principios básicos de la soldadura por arco

Seis técnicas básicas afectan la calidad de la soldadura. Éstas son: La selección del alambre, el ajuste de temperatura, el ángulo de soldadura, la velocidad del alambre, la velocidad de desplazamiento y la extensión del electrodo. Es necesario entender estas técnicas para lograr soldaduras eficientes.

### AJUSTE DEL CALOR

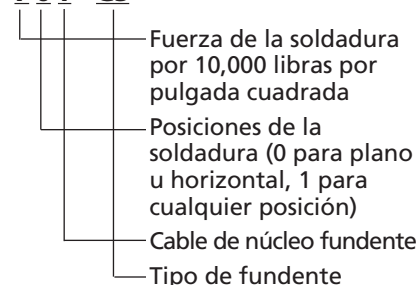
El calor correcto involucra el ajuste de la máquina soldadora en la selección requerida. El calor o el voltaje es regulado por un interruptor en la soldadora. El ajuste de calor utilizado depende del tamaño (diámetro) y tipo de alambre, posición del alambre y el espesor de la pieza de trabajo. Consulte las especificaciones enumeradas en la soldadora. Se sugiere que el soldador que trabaja con chatarra ajuste las selecciones y compare las soldaduras con la Figura 7.

### TIPO Y TAMAÑO DE CABLE

La selección correcta del tipo de alambre involucra una variedad de factores, tales como la posición de la soldadura, tipo de material de la pieza de trabajo, espesor y estado de la superficie a soldar. La Sociedad de Soldadura de los Estados Unidos (AWS) ha establecido algunos requerimientos para cada tipo de alambre.

### ALAMBRE DE NÚCLEO FUNDENTE

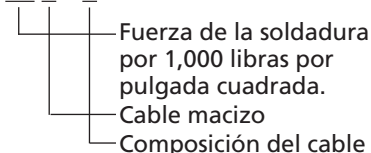
#### E - 7 0 T - GS



Se recomienda AWS E71T-GS o E71T-11 para esta soldadora.

### CABLE MACIZO

#### ER - 70 S - 6



Se recomienda ER-70S6 para esta soldadora.

### ÁNGULO DE SOLDADURA

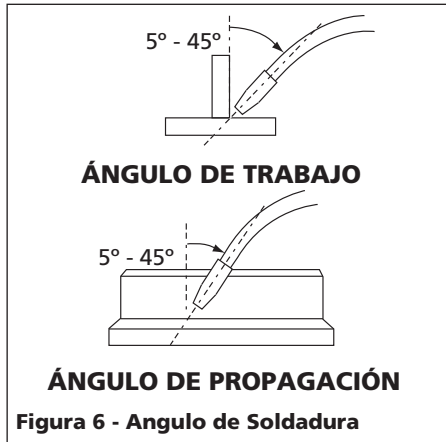
El ángulo de soldadura es el ángulo con el que se sostiene la boquilla durante el proceso de soldadura. El uso del ángulo correcto garantiza la penetración correcta y la formación de perlas. A medida que sean necesarias diferentes posiciones de soldadura y uniones de soldadura, el ángulo de la boquilla se convierte en un factor cada vez más importante para obtener una soldadura satisfactoria. El ángulo de soldadura involucra dos posiciones – ángulo de propagación y ángulo de trabajo. El ángulo de propagación es el

# Soldadora Por Arco Con Alimentación de Alambre

## Pautas de Soldadura (Continuación)

ángulo en la línea de soldadura y puede variar entre 5° y 45° desde la vertical, dependiendo de las condiciones de soldadura.

El ángulo de trabajo es el ángulo desde la horizontal, medido en ángulos rectos a la línea de soldadura. Para la mayoría de aplicaciones, basta con un ángulo de propagación de 45° y un ángulo de trabajo de 45°. Para aplicaciones específicas, consulte el manual de soldadura por arco.



### VELOCIDAD DEL ALAMBRE

La velocidad del cable es controlada por la perilla en el panel delantero. La velocidad necesita "sintonizarse" a la velocidad en que el alambre se está fundiendo en el arco. La sintonización es una de las funciones más fundamentales en la soldadura de alambre de alimentación. La sintonización se debe realizar en una pieza de metal usado del mismo tipo y espesor de la pieza que va a soldarse. Comience a soldar con una mano "arrastrando" la boquilla del soplete transversalmente sobre la pieza de rechazo mientras ajusta la velocidad del alambre con la otra mano. Una velocidad demasiado baja causará pulverización y el alambre se quemará en la punta de contacto. Una velocidad demasiado alta también causará un sonido de pulverización y el alambre hará presión hacia la placa antes de fundirse. Un leve sonido de zumbido indicará que la velocidad del alambre se ha sintonizado correctamente. Repita el procedimiento de sintonización cada vez que haya un cambio en el ajuste de calor, diámetro o tipo de alambre, o tipo o espesor del material de la pieza de trabajo. Para aluminio, la velocidad del alambre generalmente se establece más alta (rango de velocidad 7-9)

### VELOCIDAD DE PROPAGACIÓN

La velocidad de propagación es la velocidad con la que se mueve el soplete a través del área de soldadura. Los factores, tales como el diámetro y tipo de alambre de soldadura, amperaje, posición y espesor del material de la pieza de trabajo, afectan la velocidad de propagación necesaria para completar una buena soldadura (ver Figura 7). Cuando la velocidad es demasiado rápida, la perla es delgada y las ondulaciones de la perla son en punta tal como se muestra. Cuando la velocidad es demasiado lenta, el metal de soldadura se acumula y la perla es alta y ancha. Para aluminio, la velocidad del alambre generalmente se establece más alta.

### EXTENSIÓN DEL ELECTRODO

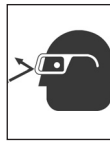
La extensión del electrodo (largo del electrodo que sobresale de la boquilla) es la distancia entre el extremo de la punta de contacto y el extremo del alambre de soldadura. La extensión recomendada del electrodo es entre 1/4 y 1/2 pulgada (de 6 a 13 mm). Si la extensión del electrodo es demasiado larga, la corriente de soldadura queda reducida y el reborde de soldadura es alto y delgado, con menos penetración.

### REMOCIÓN DE LA ESCORIA

(SÓLO ALAMBRE DE NÚCLEO FUNDENTE)

#### ⚠ ADVERTENCIA

Utilice anteojos de seguridad ANSI (Norma ANSI Z87.1) y ropa de protección cuando remueva la escoria. La escoria caliente que salta puede causar lesiones personales a cualquier persona en el área.



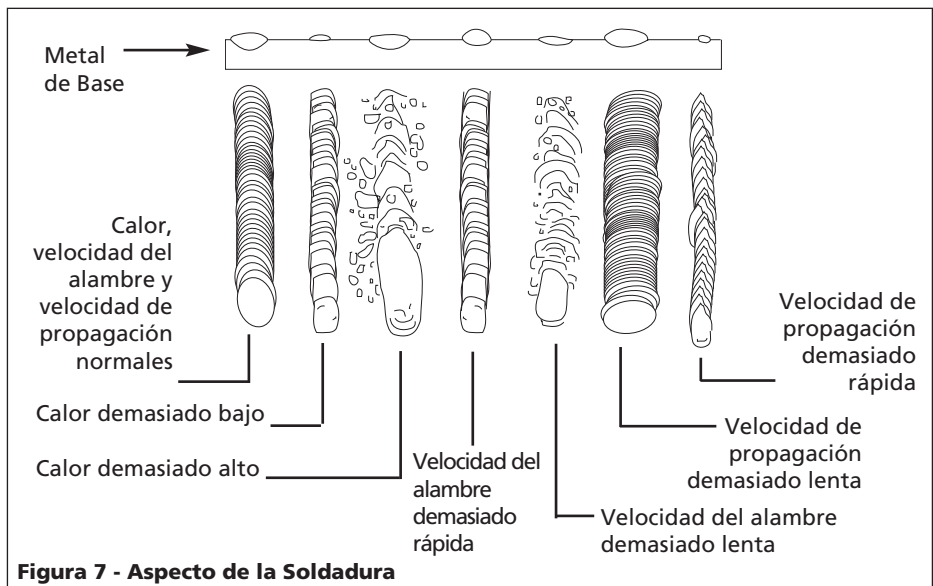
Luego de completar la soldadura, espere que las secciones soldadas se enfrien. Un revestimiento protector llamado escoria cubre ahora la perla de soldadura que evita que los contaminantes en el aire reaccionen con el metal fundido. Una vez que la soldadura se enfría al punto que ya no está rojo incandescente, se puede retirar la escoria con una rebabadora. Golpee ligeramente la escoria con la rebabadora y rómpala aflojándola de la perla de soldadura. La limpieza final se realiza con un cepillo de alambre. Cuando realice varias pasadas de soldadura, retire el desecho antes de cada pasada.

### POSICIONES DE SOLDADURA

Se pueden utilizar cuatro posiciones de soldadura básicas: plana, horizontal, vertical y sobre la cabeza. Soldar en la posición plana es más fácil que cualquiera de las otras porque se puede aumentar la velocidad de soldadura, la fundición tiende menos a correrse, se puede lograr una mejor penetración y el trabajo es menos agotador. La soldadura se realiza con el alambre a un ángulo de propagación de 45° y un ángulo de trabajo de 45°.

Las demás posiciones requieren diferentes técnicas tales como una pasada de vaivén, pasada circular y golpecitos. Se requiere de un mayor nivel de experiencia para realizar estas soldaduras.

La soldadura sobre la cabeza es la posición menos deseable ya que es la más difícil y peligrosa. El ajuste del calor y la selección del cable variarán dependiendo de la posición.





# Soldadora Por Arco Con Alimentación de Alambre

## Table de Detección y Solución de Problemas - Soldadora

Síntoma	Causas Posibles	Medida Correctiva
No funciona	<ol style="list-style-type: none"> <li>1. Excedió el ciclo de trabajo</li> <li>2. La pinza está mal conectada</li> <li>3. El cortacircuito se activó o el fusible está quemado</li> </ol>	<ol style="list-style-type: none"> <li>1. Espere que la soldadora se enfríe, cuando el bombillo se apague</li> <li>2. Cerciórese de que las conexiones estén bien hechas y de que la superficie esté limpia</li> <li>3. Reduzca la carga del circuito, active el cortacircuito o reemplace el fusible</li> </ol>
El alambre se enrolla en la bobina	<ol style="list-style-type: none"> <li>1. Punta de contacto de tamaño equivocado</li> <li>2. Revestidor del soplete atascado o dañado</li> <li>3. Punta de contacto atascada o dañada</li> <li>4. Bobina de conducción desgastada</li> <li>5. No hay suficiente tensión</li> </ol>	<ol style="list-style-type: none"> <li>1. Use una punta de contacto de tamaño correcto</li> <li>2. Limpie o reemplace el forro de alambre</li> <li>3. Limpie o reemplace la punta de contacto</li> <li>4. Reemplácelo</li> <li>5. Apriete la perilla tensora</li> </ol>
Ocurre un arco entre la boquilla de la pistola y la superficie de trabajo	<ol style="list-style-type: none"> <li>1. Hay escoria dentro de la boquilla pistola</li> <li>2. Anillo aislador fundido/vencido</li> </ol>	<ol style="list-style-type: none"> <li>1. Limpie las escorias de la boquilla de la pistola</li> <li>2. Reemplace la boquilla</li> </ol>
La pinza de trabajo y/o el alambre se calientan	<ol style="list-style-type: none"> <li>1. Hay mal contacto</li> <li>2. Está usando un cordón de extensión demasiado largo</li> </ol>	<ol style="list-style-type: none"> <li>1. Cercórese de que todas las conexiones estén bien aseguradas y que la superficie de contacto esté limpia</li> <li>2. Nunca use cordones de extensión de más de 6,10 m (20 pies)</li> </ol>
El alambre no circula	<ol style="list-style-type: none"> <li>1. El alambre está atascado</li> <li>2. Se terminó el alambre</li> <li>3. No hay suficiente tensión</li> <li>4. El forro del alambre está dañado</li> <li>5. El fusible está quemado (WG3060)</li> <li>6. El alambre está desconectado internamente</li> <li>7. La boquilla de contacto está obstruida</li> </ol>	<ol style="list-style-type: none"> <li>1. Recargue el alambre (1-5 acero dulce; 5-10 aluminio)</li> <li>2. Reemplace el carrete</li> <li>3. Apriete la perilla tensora si el alambre se resbala</li> <li>4. Reemplace el forro</li> <li>5. Reemplace el fusible en el tablero de control, dentro de la soldadora (3,15 amp de acción retardada)</li> <li>6. Llame al 1-800-746-5641 (en EUA) para recibir asistencia</li> <li>7. Reemplace la boquilla de contacto</li> </ol>
(Aluminio) el alambre se quema en el extremo de la boquilla o (Aluminio) se forman burbujas en el metal o se funde completamente	<ol style="list-style-type: none"> <li>1. La velocidad de alimentación es muy lenta</li> <li>2. La velocidad de desplazamiento es muy baja o la energía es muy alta</li> </ol>	<ol style="list-style-type: none"> <li>1. Use velocidades entre 7 - 10</li> <li>2. Aumente la velocidad de desplazamiento o disminuya la energía</li> </ol>
La soldadura se ampolla y salpica	<ol style="list-style-type: none"> <li>1. Ajustes de velocidad del alambre</li> <li>2. Punta de contacto demasiado grande</li> <li>3. Polaridad conectada incorrectamente</li> <li>4. Resbala el portabobinas</li> <li>5. Tanque de gas vacío</li> </ol>	<ol style="list-style-type: none"> <li>1. Ajuste el valor correcto</li> <li>2. Reemplace la punta de contacto</li> <li>3. Invierta la polaridad</li> <li>4. Aumente la tensión</li> <li>5. Reemplace el tanque de gas</li> </ol>



## **Table de Detección y Solución de Problemas - Soldadura**

<b>Síntoma</b>	<b>Causas Posibles</b>	<b>Medida Correctiva</b>
Reborde es muy delgado en algunos sitios	<ol style="list-style-type: none"> <li>1. La velocidad de desplazamiento varia o es rápida</li> <li>2. El nivel del amperaje es muy bajo</li> </ol>	<ol style="list-style-type: none"> <li>1. Debe reducirla y mantenerla constante</li> <li>2. Debe aumentarlo</li> </ol>
Reborde es muy grueso en algunos sitios	<ol style="list-style-type: none"> <li>1. La velocidad de desplazamiento varia o es muy lenta</li> <li>2. El nivel del amperaje es muy alto</li> </ol>	<ol style="list-style-type: none"> <li>1. Debe aumentarla y mantenerla constante</li> <li>2. Debe bajarlo</li> </ol>
Los bordes de la soldadura están disperejos	<ol style="list-style-type: none"> <li>1. La velocidad de desplazamiento es muy rápida</li> <li>2. La velocidad de alimentación es muy rápida</li> <li>3. El nivel del amperaje es muy alto</li> </ol>	<ol style="list-style-type: none"> <li>1. Debe reducirla</li> <li>2. Debe aumentarla</li> <li>3. Debe bajarlo</li> </ol>
La soldadura no penetra el metal que desea soldar	<ol style="list-style-type: none"> <li>1. La velocidad de desplazamiento no es consistente</li> <li>2. El nivel de energía es muy bajo</li> <li>3. Se terminó el gas o el nivel de gas es muy bajo</li> <li>4. Está usando el gas incorrecto (aluminio)</li> <li>5. El cordón de extensión es muy largo</li> <li>6. (Aluminio) Posiblemente se están formando residuos de óxido en la superficie</li> </ol>	<ol style="list-style-type: none"> <li>1. Disminuya la velocidad y manténgala constante</li> <li>2. Aumente el nivel de energía de suministro</li> <li>3. Use gas, para soldar con gases inertes (MIG) o llene la botella</li> <li>4. Use sólo 100% Argón</li> <li>5. Nunca use cordones de extensión de más de 6,10 m (20 pies)</li> <li>6. Limpie bien la superficie con un cepillo de acero inoxidable sólomente</li> </ol>
El electrodo salpica y se pega	<ol style="list-style-type: none"> <li>1. El alambre está húmedo</li> <li>2. La velocidad del alambre está muy rápida</li> <li>3. Está utilizando el alambre inadecuado</li> <li>4. Se terminó el gas o el nivel de gas es muy bajo</li> </ol>	<ol style="list-style-type: none"> <li>1. Use un alambre seco y siempre debe almacenarlo e un sitio seco</li> <li>2. Reduzca la velocidad del alambre</li> <li>3. Use alambre de fundente revestido cuando no esté utilizando gases</li> <li>4. Use gas, para soldar con gases inertes (MIG) o llene la botella</li> </ol>

# Soldadora Por Arco Con Alimentación de Alambre

## Para Ordenar Repuestos o Asistencia Técnica, Sírvase Llamar al Distribuidor Más Cercano a Su Domicilio

Sírvase suministrarnos la siguiente información:

- Número del modelo
- Número de Serie (de haberlo)
- Descripción y número del repuesto según la lista de repuestos

Dirija toda la correspondencia a:

Campbell Hausfeld  
Attn: Customer Service  
100 Production Drive  
Harrison, OH 45030 U.S.A.

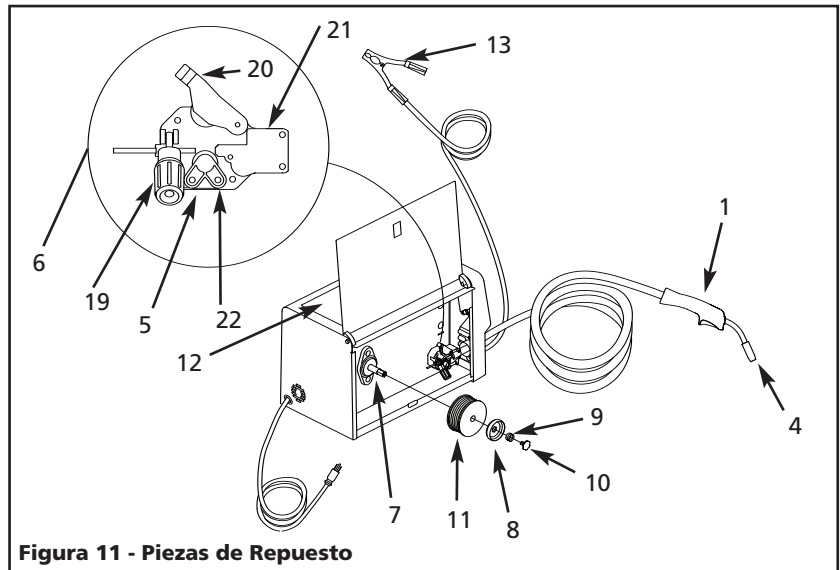


Figura 11 - Piezas de Repuesto

## Lista de Repuestos - Modelos WF2150, WG2154, WG2160 y WG2164

No de Ref.	Descripción	Número del Repuesto	Ctd.	No de Ref.	Descripción	Número del Repuesto	Ctd.
1	Soplete (Fundente revestido, 2,4 m, WF2150 y WG2154)	WC601510AJ	1		Alambre de soldadura MIG -0,030 in. (0,8 mm) Bobina de 2 libras (ER70S6)	WE300501AV	†
	Soplete (MIG, 2,4 m, WG2160 y WG2164)	WC601520AJ	1		Alambre de soldadura MIG -0,030 in. (0,8 mm) Bobina de 11 libras (ER70S6)	WE302000AV	†
2 ▲	Forro de alambre - 0.024 in. - 0.035 in.	WC403620AJ	1		Alambre de soldadura MIG -0,035 in. (0,9 mm) Bobina de 2 libras (ER70S6)	WE301001AV	†
3 ▲	Punta de contacto -0,024 in. (0,6 mm)	WT501200AV	1		Alambre de soldadura MIG -0,035 in. (0,9 mm) Bobina de 11 libras (ER70S6)	WE302500AV	†
	▲ Punta de contacto -0,030 in. (0,8 mm)	WT501300AV	1		Alambre de soldadura MIG de aluminio - 0,030 in. (0,8 mm), Bobina de 1 lb.	WE303001AV	†
	▲ Punta de contacto - 0,035 in. (0,9 mm)	WT501400AV	1	12	Etiqueta adhesiva de seguridad	DK689105AV	1
	▲ Punta de contacto opcional - 0.024 in. (0.6 mm) Paquete de 4	WT501200AJ	†	13	Pinza de trabajo	WC100300AV	1
	▲ Punta de contacto opcional -0,030 in. (0,8 mm) Paquete de 4	WT501300AJ	†	14 ▲	Manguera de gas— (sólo WG2160 y WG2164)	*	1
	▲ Punta de contacto opcional -0,035 in. (0,9 mm) Paquete de 4	WT501400AJ	†	15 ▲	Regulador con 2 manómetros— (sólo WG2160 y WG2164)	WC803500AV	1
4	Boquilla	WT502100AV	1	16 ▲	Casco de soldar opcional	WT100500AV	†
5	Bobina de conducción - 0.024 in. - 0.035 in. (0.6 - 0.9 mm)	WC500805AV	1	17 ▲	Juego opcional de soldadura de aluminio [Incluye forro de alambre de PTFE, bobina de conducción U-groove para alambre de aluminio 0,030 in.(0,8 mm) y cuatro puntas de contacto de 0,030 in.(0,8 mm) para alambre de aluminio]— (sólo WG2160 y WG2164)	WT253100AV	†
6	Ensamblaje de la placa de conducción	WC500800AJ	1	18 ▲	Ensamblaje del mango	WC707405AJ	†
7	Vástago de bobina	WC707570AV	1	19	Kit para tensor WC WC500800AJ DD	WC500850AV	
8	Retén de bobina	WC707023AV	1	20	Kit del brazo WG WC500800AJ DD	WC500840AV	
9	Resorte de bobina	WC707026AV	1	21	Kit del retenedor de la antorcha	WC500824AV	
10	Bloqueo de bobina	WC707024AV	1	22	Eje del soporte de rueda	WC500823AV	
11	Alambre de soldadura con fundente - 0.030 in. (0.8 mm) Bobina de 2 libras (E71T-GS)	WE200001AV	†	23 ▲	Perilla del selector de calor	WC707370AV	
	Alambre de soldadura con fundente - 0.030 in. (0.8 mm) Bobina de 10 libras (E71T-GS)	WE201000AV	†	24 ▲	Perilla de leva ON/OFF	WC707390AV	
	Alambre de soldadura con fundente - 0,035 in. (0,9 mm) Bobina de 2 libras (E71T-GS)	WE200501AV	†		▲ No se muestra		
	Alambre de soldadura con fundente - 0,035 in. (0,9 mm) Bobina de 10 libras (E71T-GS)	WE201500AV	†		† Accesorio opcional		
	Alambre de soldadura MIG -0,024 in. (0,6 mm) Bobina de 2 libras (ER70S6)	WE300001AV	†		* Artículo estándar de ferretería		
	Alambre de soldadura MIG -0,024 in. (0,6 mm) Bobina de 11 libras (ER70S6)	WE301500AV	†				

## Glosario de Términos de Soldadura

**Corriente alterna o CA** – corriente eléctrica que invierte periódicamente la dirección. La corriente de ciclo de sesenta viaja en ambas direcciones, sesenta veces por segundo.

**Longitud del arco** - la distancia entre el extremo del electrodo y la punta donde el arco hace contacto con la superficie de trabajo.

**Metal de base** – el material que va a ser soldado.

**Unión plana** – una unión entre las dos partes alineadas aproximadamente en el mismo plano.

**Cráter** – charco de metal fundido o bolsillo que se forma cuando el arco se pone en contacto con el metal de base.

**Corriente continua o CC** – corriente eléctrica que circula solamente en una dirección. La polaridad (+ o -) determina en qué dirección está circulando la corriente.

**Polaridad inversa de CC** – ocurre cuando el sujetador del electrodo está conectado al polo positivo de la máquina soldadora. La polaridad inversa dirige más calor para fundir al electrodo que a la pieza de trabajo. Se utiliza en materiales más delgados.

**Polaridad directa de CC** - ocurre cuando el sujetador del electrodo está conectado al polo negativo de la máquina soldadora. Con la polaridad directa se dirige más calor hacia la pieza de trabajo para una mejor penetración en materiales más gruesos.

**Electrodo** – un alambre de metal revestido que tiene aproximadamente la misma composición que el material que va a ser soldado.

**Soldadura en ángulo** – aproximadamente un triángulo en sección transversal, que une dos superficies con ángulos rectos en cada uno en una unión de solapa, en T o de ángulo.

**Fundente** - un material, que al calentarse, emite un gas que cubre el área donde va a soldar. Este gas protege los metales que va a soldar contra las impurezas presentes en el aire.

**Soldadura por arco de núcleo fundente (FCAW)** – también llamado Sin gas, es un proceso de soldadura utilizado con una máquina soldadora de alimentación de cable. El cable de soldadura es tubular que contiene dentro material fundente como protección.

**Soldadura por arco de metal de gas (GMAW)** – también llamado MIG, es un proceso de soldadura utilizado con una máquina soldadora de alimentación de cable. El cable es sólido y se utiliza un gas inerte como protección.

**Soldadura por arco de tungsteno de gas (GTAW)** – también llamado TIG, es un proceso de soldadura utilizado con un equipo soldador con un generador de alta frecuencia. El arco se crea entre un electrodo de tungsteno no consumible y la pieza de trabajo. El metal de relleno se puede o no utilizar.

**Unión de solapa** – una unión entre dos partes superpuestas en planos paralelos.

**Voltaje de circuito abierto (OCV)** – el voltaje entre el electrodo y la abrazadera de trabajo de la máquina soldadora, cuando no circula corriente (no suelda). El OCV determina cuán rápido se golpea el arco.

**Superposición** – ocurre cuando el amperaje está configurado demasiado bajo. En este caso, el metal fundido cae del electrodo sin realmente fundir el metal de base.

**Porosidad** – bolsillos o cavidades de gases, formados durante la solidificación. Debilitan la soldadura.

**Penetración** – la profundidad en la pieza de trabajo que ha sido afectada por el calor por el arco durante el proceso de soldadura. Una buena soldadura logra 100% de penetración, lo cual significa que todo el espesor de la pieza de trabajo ha sido calentado y resolidificado. El área afectada por el calor se debe ver fácilmente al lado opuesto de la soldadura.

**Soldadura por arco de metal blindado (SMAW)** – también llamada Soldadura con Varilla, es un proceso de soldadura que utiliza un electrodo consumible para sostener el arco. El blindaje se obtiene por la fundición del revestimiento del fundente en el electrodo.

**Escoria** – una capa de hollín de fundente que protege la soldadura de los óxidos y otros contaminantes mientras la soldadura se está solidificando (enfriando). La escoria debe retirarse luego de que la soldadura haya enfriado.

**Salpicadura** – partículas de metal que saltan de la soldadura, que se enfrían y endurecen en la superficie de trabajo. La salpicadura se puede disminuir aplicando un aerosol resistente a salpicaduras en la pieza de trabajo antes de soldar.

**Soldadura por puntos** – soldadura hecha para sostener las partes en la alineación correcta hasta realizar las soldaduras finales.

**Ángulo de propagación** – el ángulo del electrodo en la línea de soldadura. Varía entre 5° y 45° dependiendo de las condiciones de soldadura.

**Unión en T** – realizada al colocar el borde de una pieza o metal en la superficie de la otra pieza a aproximadamente un ángulo de 90°.

## Garantía Limitada

**1. Duración:** El fabricante garantiza que reparará, sin costo alguno, por piezas o mano de obra, la soldadora, pistola de soldadura o cables que demuestren estar defectuosos, en material o mano de obra, durante el(los) siguiente(s) periodo(s) a partir de la fecha de compra al por menor original:

Por 5 años: el transformador y rectificador de la soldadora.

Por 3 años: toda la soldadora (salvo las abrazaderas, pistola de soldadura, sujetador de electrodo, cables o accesorios embalados con la soldadora).

Por 90 días: las abrazaderas de soldadura, pistola MIG, sujetador de electrodo, accesorios y cables de soldadura (como sea pertinente).

**2. ¿Quién emite esta garantía? (Garante)**

Campbell Hausfeld, a Scott Fetzer Company

100 Production Drive

Harrison, OH 45030 U.S.A.

Teléfono: 1-800-746-5641

**3. ¿Quién recibe esta garantía? (Comprador):** El comprador original del producto Campbell Hausfeld.

**4. ¿Qué es lo que cubre esta garantía?:** Defectos de material y mano de obra que ocurran dentro del período de duración de la garantía. Esta garantía se extiende solamente a la soldadora, el transformador y rectificador de la soldadora, pistola de soldadura o sujetador de electrodo y cables.

**5. ¿Qué es lo que no cubre esta garantía?:**

- A. Las garantías implícitas, incluyendo las de comerciabilidad e IDONEIDAD PARA UN FIN PARTICULAR, SE LIMITAN A LA DURACIÓN DE ESTA GARANTÍA EXPRESA. Luego de este periodo, todos los riesgos de pérdida, por cualquier razón, corren por cuenta del comprador. Algunos estados no permiten la limitación de la duración de una garantía implícita, de modo que estas restricciones tal vez no rijan para Ud.
- B. CUALQUIER PERDIDA, DAÑO O GASTO INCIDENTAL, INDIRECTO O RESULTANTE QUE PUEDA DERIVARSE DE CUALQUIER DEFECTO, FALLA O MAL FUNCIONAMIENTO DEL PRODUCTO DE Maxus. Algunos estados no permiten la exclusión o limitación de los daños incidentales o derivados, por lo que esta restricción tal vez no rija para Ud.
- C. Esta garantía no se aplica a cualquier accesorio incluido en el producto que está sujeto a desgaste por uso; la reparación o cambio de este accesorio correrá por cuenta del propietario. Estos artículos MIG incluyen, sin sentido limitativo, a las puntas de contacto, boquillas, revestimientos de pistola, rodillos de mando, limpiador de cable de filtro. Además, esta garantía no se extiende a los daños causados por el cambio o mantenimiento fuera de tiempo de cualquiera de las piezas CONSUMIBLES enumeradas anteriormente.
- D. Cualquier falla que resulte de un accidente, mal uso del comprador, negligencia u omisión en operar los productos de acuerdo a las instrucciones provistas en el manual del propietario suministrado con el producto.
- E. Servicio de pre-entrega, es decir, ensamblaje y ajuste.

**6. Responsabilidades del garante bajo esta garantía:** Reparar o reemplazar, a opción del garante, los productos o componentes que hayan funcionado mal dentro del período de garantía.

**7. Responsabilidades del comprador bajo esta garantía:**

- A. Por asistencia con la garantía, por favor llame al 1-800-746-5641
- B. Proporcionar comprobante de compra fechado y registros de mantenimiento.
- C. Todos los soldadores deben entregarse o enviarse al Centro de Servicio Autorizado más cercano de Campbell Hausfeld. Los costos de flete, si los hubiera, correrán por cuenta del comprador.
- D. Hacer uso de un cuidado razonable en la operación y mantenimiento de los productos descritos en el manual del propietario.

**8. ¿Cuándo efectuará el garante la reparación o reemplazo bajo esta garantía?:** La reparación o reemplazo se programará y efectuará de acuerdo al flujo normal de trabajo en la localidad de servicio y dependiendo de la disponibilidad de repuestos.

Esta garantía limitada le proporciona a Ud. derechos legales específicos y es probable que Ud. tenga otros derechos, los cuales varían de un estado a otro.